

# TACTACAM™

Share your Hunt!™

**USER MANUAL**  
& Instructions



## Table of Contents

	Pg.
<b>Preface</b>	
Introduction.....	1.1
Product Overview.....	1.2
<b>Product Features</b>	
Features Overview.....	2.1
<b>Product Basics</b>	
Basics Overview.....	3.1
<b>Preparing Your Tactacam™ for Operation</b>	
Preparation Overview.....	4.1
<b>Operating Your Tactacam™</b>	
Operating Overview.....	5.1
Operating Overview Cont'd.....	6.1
Operating Overview Cont'd.....	7.1
<b>Mounting A Tactacam™</b>	
Mounting Overview.....	8.1
Mounting Overview Cont'd.....	9.1
Mounting Overview Cont'd.....	10.1
<b>Warranty</b>	
Warranty Information.....	11.1
Contact & Support Information.....	12.1
<b>Contact &amp; Support</b>	
Contact & Support Information.....	13.1



## 1.1

### **Introduction**

Thank you for purchasing your Tactacam™ - HD Hunting Video Camera. The Tactacam™ High-Definition Digital Video Camera is ultra-slim and has an integrated user-friendly design, which makes it easy for you to record your highlight moments. Meanwhile, its motion-capture technology is able to clearly record all sorts of activities. Your Tactacam™ can be used for a wide range of purposes however it has been designed specifically for hunting applications.

This manual explains how to use the Tactacam™ and it provides you with information on the use, operation, safety precautions and technical specifications. Please read this manual carefully before using the camera and be sure to keep it for your reference. For additional support please visit: <https://tactacam.com/faqs/>.

## 1.2.

### **Product Overview**

Easy to use....Tactacam™ will turn on and record with the push of the One-Touch power button. With our One-Touch feature, simply press the power button and within a few seconds the Tactacam™ begins to record. Push to start and push to stop at all times (on or off). Yes, it's that easy to operate.

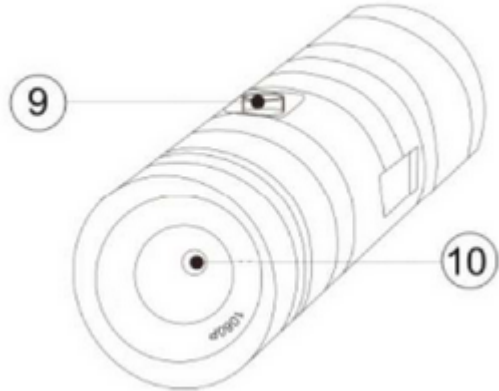
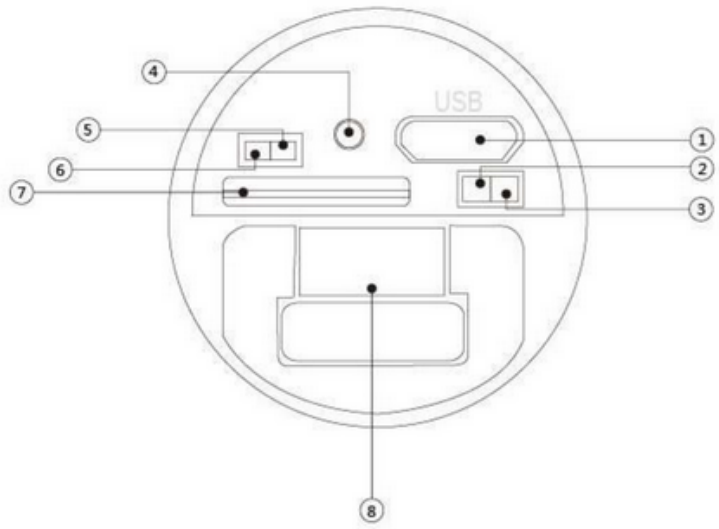
*The new Tactacam camera has been built using the best electronics available.*

A good camera has to have a good lens and a good image sensor. Great news, your new Tactacam™ has both! This small hunting video camera was built with an ultra high quality lens and a 12 megapixel low-light sensor. Instead of using a fisheye lens, which pushes the images (Deer, Turkey, Waterfowl, Big Game, etc) further away, Tactacam uses a unique lens design, providing a view similar to what we see with the human eye. For an example, a 20yd shot no longer looks like an 80yd shot. Now your 20yd shot will look like 20yds and your 100yd shot will look like 100yds in your Tactacam™ video. And now with its ability to interchange the lenses you can customize your Tactacam to fit any of your filming situations. From a 170 degree lens for tight, up close, action or the normal 60 degree lens for all other hunting scenarios. All this is what makes the NEW Tactacam™ the best hunting camera on the market. Are you ready to "Share Your Hunt"?

## 2.1

### Features Overview

- 12MP Sensor Records In True Full HD - 1080p (30fps) or 720p (60fps)
- One-Touch Power On Auto Record with Vibration Indication
- Ultra Sharp Interchangeable Lenses
- Low-Light Recording Like No Other Camera of Its Kind
- Audio and waterproof End-Caps (Waterproof Tested Up To 30 Meters)
- Shock Resistant; 50cal Tested and Approved
- Rechargeable Lithium Battery. Provides over 2 hours of record time.
  - Extra batteries available.
- Charging USB 2.0 and 110-120 volt AC Outlet
- Video Aspect Ratio: 16:9 .MOV Format (Facebook and YouTube Ready)
- Storage: Micro SD Card Up To 32GB (Not Included)
  - Must be at least SDHC, Class 10 and Up To 30MB/s speeds to be fully compatible.
- 1-Year Limited Warranty (See page



### 3.1 Basics Overview

- 1. USB Port
- 2. 720p Resolution
- 3. 1080p Resolution
- 4. Microphone
- 5. Video Recording Mode
- 6. Camera/Photo Mode
- 7. Micro SD Card Slot
- 8. Battery (Included with each Tactacam™)
- 9. On/Off and Pause Button
- 10. Lens

## 4.1

### Preparation Overview

**Step 1.** After removing your new Tactacam™ 2.0 from its package, you must remove the Tactacam™ from the stabilizer by unscrewing the stabilizer bolt counterclockwise, located on the bottom of the stabilizer. Tilt the unit downwards and the Tactacam™ will slide out once it's loose. ***\*Note - Please make sure you do this in a safe location to avoid dropping the Tactacam and causing damage.***

**Step 2.** Once the Tactacam™ has been removed from both the packaging and the stabilizer, unscrew the End Cap which is on the opposite end from the Tactacam™ lens.

**Step 3.** Now that the End Cap has been removed you will see the settings of your Tactacam™. Here you will want to check to make sure the battery is seated correctly by removing and reinserting firmly.

**Step 4.** Choose your desired settings (Photo or Video Mode/ 720p or 1080p Resolution) and insert your Micro SD Card (sold separately). The Micro SD Card should be inserted with the printed side facing the battery and the black side facing upwards towards the Photo/Video switch and mic. Screw on the End Cap and you are now ready to operate your new Tactacam™.

**Step 5.** Install the Tactacam™ Stabilizer on your bow. It is recommended, once the stabilizer is snug, to give 2 more full turns and center the camera with your bow. It is important not to over tighten the rubber dampener between the bow and stabilizer. The rubber dampener will help reduce vibration and keep your camera in position.

## 5.1

### Operating Overview

**Turning On Your Tactacam™:** Once you have prepared your Tactacam™ for operation, briefly press the power button, located on the top-center of your Tactacam™, within 3 seconds the green LED indicator light comes on and you feel 1 long and 2 short vibrations. Your Tactacam™ will automatically start recording and the green LED indicator will begin to blink.

**Pausing Your Tactacam™:** When your Tactacam™ is On and recording you may pause your recording by briefly pressing the button once (1 short vibration and solid green light). To resume, press once (2 short vibrations) and you are back to recording.

**Standby Mode:** While your Tactacam™ is On and has not been recording or inactive for 5 minutes (default setting), it will shut itself off to help you conserve battery life. During Standby you may start recording by pressing the button only once. Two short vibrations and a blinking green light in the button will indicate you are now recording again.

**Turning Off Your Tactacam™:** Press and hold the power button for 3 seconds until you feel 2 long vibrations and the green LED indicator is no longer on. Your Tactacam is now powered off fully. This can be performed at any time, including while recording.

**Charging:** Remove the back cap and plug the appropriate side of the provided USB cord into your camera. Then plug the other side of the USB cord into the provided wall charger or your computer. You will see a blue and red light. After 10 min there will only be a red light. Red light will remain on till the battery is fully charged.

**Positioning Your Tactacam™:** While using the Stabilizer or gun mount be sure to position the power button facing upwards at all times. The camera lens should be pointed in the direction of the subject you wish to record.

## 6.1 Operating Overview Cont'd.

**Switching Modes:** The black mode switch is located in the upper-left.

Camera/Photo Mode - Move the switch to the left.

Video Mode - Move the switch to the right.

**Switching Resolutions:** The resolution switch is located in the right-center.

720p Resolution - Move the switch to the left.

1080p Resolution - Move the switch to the right.

**Charging the Battery:** Remove the end cap first by unscrew counterclockwise.

To wall - Connect the normal USB end to the included 110/120v wall adapter and the opposite end into the Tactacam's USB port. (Recommended)

To Computer - Connect the normal USB end to your computer and the opposite end into the Tactacam's USB port.

**Inserting a Micro SD Card:** Unscrew the end cap, exposing all the settings, battery and the Micro SD Card slot. Insert the Micro SD Card facedown (printed side) until you feel the spring-action locking mechanism. The lock should now hold it in place. Your Micro SD Card is now properly inserted. *\*Note-Must be at least SDHC, Class 10 and Up To 30MB/s speed settings to be fully compatible.*

**Removing a Micro SD Card:** Remove the end cap first by unscrew counterclockwise. Using your finger, press inwards on the Micro SD Card until you feel the spring-action and the Micro SD Card will now be ejected. You will now be able to remove it from the Tactacam™.



## 7.1 Operating Overview Cont'd.

**Changing the Date and Time:** Connect your Tactacam™ to a computer using the included USB cable.

Go to “My Computer” (Windows XP) or “Computer” (Windows Vista, 7 or 8) or locate the camera on your computer. Open the camera and you find a text (.txt format) embedded on your Tactacam™. Copy this file and drag and drop onto your dedicated Micro SD Card. Note: Do not add this into a separate folder on your SD Card. Follow the following steps:

1. Modify with your desired changes and click File>Save.
2. Disconnect your Tactacam™ and power off your Tactacam™.
3. Proceed to power on your Tactacam™ and record a short 1-2 minute video.
4. Plug your Tactacam™ back into your computer to see if the video file you just recorded has the updated date and time. The date and time should now be updated.
5. Start recording and sharing your hunts with confidence!

## 8.1 Mounting Overview

### Mounts:



### Mounts Overview

1. Stabilizer
2. Gun/Scope Mount
3. Camera Mount
4. Universal Mount
5. Charger Wall Adapter
6. USB Charging & Data Transfer Cable
7. Audio End-Cap (Solid Waterproof End-Cap Not Pictured)
8. Lubricating Gel Capsule with Replacement O-Rings
9. Tripod/Adhesive Plate
10. Adhesive Pads

## 9.1

### Mounting Overview Cont'd.

**Tactacam Stabilizer:** The Tactacam™ Stabilizer is designed for bow hunters using any bow with a stabilizer insert. To use the Tactacam™ Stabilizer, screw the stabilizer into your bows stabilizer threads tightly. Give the Tactacam™ Stabilizer a couple more turns then reverse just enough so the stabilizer and rubber bushing won't allow any noise and also so the Tactacam™ power button is positioned upright.

**Gun/Scope Mount:** The Tactacam™ Gun/Scope Mount is an aluminum alloy mounting bracket with shock-absorbing and scratch-free rubber lining. To use the Gun/Scope Mount just loosen the wing-nut, attach one end to your rifle, shotgun barrel or scope and insert the Tactacam™ into the other end. Tighten with the wing-nut and make sure the power button remains facing upward.

**Camera Mount:** The Tactacam™ Camera Mount allows you to mount your Tactacam™ to just about anything. To use your Tactacam™ Camera Mount loosen the tension on the black side-knob until it has allowed the most clearance, this way the clamp will open fully. Leaving the rubber sleeve in place, insert your Tactacam™ to your desired position and tighten the side-knob to secure your Tactacam™. Now using either the Tripod/Adhesive Plate or the Universal Mount, clip your plate and Camera Mount into each other. \*Compatible with either the Universal Mount or the Tripod/Adhesive Plate.

**Universal Mount:** The Universal Mount brings versatility to your Tactacam™. To use the Tactacam™ Universal Mount, start by removing both Allen bolts located on either sides. Place the item you want the Tactacam™ to be mounted to inside of the bottom half of the Universal Mount. Now bolt both halves together with the object in the middle. \*Compatible with the Camera Clip only. Just clips these two together.

## 10.1

### Mounting Overview Cont'd.

**Tripod/Adhesive Plate:** The Tactacam™ Tripod/Adhesive Plate is another versatile mount for your Tactacam™ allowing you to use on a Tripod or to adhere to almost any surface. To use the Tactacam™ Tripod/Adhesive Plate with a tripod just screw it onto your tripod's camera plate bolt, then attach the Tactacam™ Camera Clip into place. To use it as an adhesive plate, peel the paper off one of the included 3M adhesive pads, apply to the bottom/flat side of the plate and press firmly for 1-2 minutes. Once the 3M adhesive pad has firmly been applied, peel the other other side off and apply it to your desired surface. \*Compatible with the Camera Clip only.

**Audio End Cap:** The included Audio End Cap has a small hole cut out in the center with a mesh covering the inside of the hole. This should be used anytime you are not around any water and would like to get optimal audio recorded with your video/s. To use, simply screw it onto the back of the camera.

**Waterproof End Cap:** The included Waterproof End Cap is a solid cap that should be used anytime you expect to be around water, rain, snow or ice. To use, simply screw it onto the back to cover and protect the back of the camera.

**USB Cable and Wall Adapter:** The included Tactacam™ charger comes in two separate pieces. The usb cable (2.5ft) allows you to attach and transfer files from your Tactacam™ to your computer as well as charging your Tactacam™. The USB cable plugs into the wall adapter so you can charge your camera with any wall outlet/ socket.

**Lubricating Gel & O-Rings:** The clear and blue container included with each Tactacam™ provides you with lubricating gel to help keep the four o-rings from dry rotting. There are two rubber o-rings included with each new Tactacam™. Each Tactacam™ has pre-installed o-rings under each end cap to keep water from leaking into the housing. It is recommended to lubricate your o-rings every 3



## 11.1 Warranty Information

We're disappointed if you're not completely satisfied with your Tactacam purchase. We take a lot of pride in our products and service! If you are experiencing a problem with a Tactacam purchase, please take a minute to read the information below to determine if your issue is covered under the Tactacam warranty.

Registration must be submitted through our website within 30 days of purchase.

*Please Note: All warranty concerns must be handled by Tactacam™ and not with a dealer or retailer.*

Tactacam products and accessories are guaranteed against manufacturing defects one (1) year from the original date of purchase. Tactacam's sole obligation in the event of such defects during this period is to repair or replace the defective part or product with a comparable part or product at Tactacam's sole discretion. Except for such repair or replacement, the sale, processing or other handling of this product is without warranty, condition or other liability even though the defect or loss is caused by negligence or other fault. Damage resulting from use, accident, or normal wear and tear is not covered by this or any warranty. Tactacam assumes no liability for any accident, injury, death, loss, or other claim related to or resulting from the use of this product. In no event shall Tactacam be liable for incidental or consequential damages relating to or resulting from the use of this product or any of its parts. Returns or replacements of parts and/or products may be subject to shipping, handling, replacement and/or restocking fees.

Questions? Comments? Experience some world class customer support when you contact our Support Team by clicking on the Contact Us Page or calling (844) 482-2822. We'd love to hear from you!

## 12.1

### Warranty Information Cont'd

#### **30 DAY MONEY BACK GUARANTEE: (Tactacam Website Purchases Only)**

We want you to be totally psyched about the products you purchase from Tactacam's online store. If at any time within 30 days of receiving your order, you are not 100% satisfied, you may return it to us for a refund. No questions asked. Any items damaged due to reasons not covered under warranty cannot be accepted back for refund under our 30 Day Money Back Guarantee. Also, associated shipping fees are not refundable. NOTE: this guarantee only applies to orders placed on Tactacam's webstore at Tactacam.com.

#### **Tactacam™ Website Return Instructions**

If you bought your product directly from Tactacam.com, and you are not satisfied with your purchase within 30 days of receipt, you can return it following the below procedure. Your card will be credited upon receipt of the returned merchandise. Request an RMA (Return Merchandise Authorization) number from Tactacam Customer Support by clicking on the Contact Us Page.

Package products along with a copy of the RMA form.

Write the RMA number on the outside of the box and send to the appropriate address based on your specific location: (items must be received by Tactacam within 14 days of issuing the RMA):

#### **Warranty Repair & Replacement Service Instructions**

If you bought your product directly from Tactacam.com, and you are not satisfied with your purchase within 30 days of receipt, you can return it following the below procedure. Your card will be credited upon receipt of the returned merchandise. Request an RMA (Return Merchandise Authorization) number from Tactacam Customer Support by clicking on the Contact Us Page.

Package products along with a copy of the RMA form.

Write the RMA number on the outside of the box and send to the appropriate address based on your specific location: (items must be received by Tactacam within 14 days of issuing the RMA):

# Contact & Support

## 11.1 Contact Us

### LOCATION

Tactacam™  
4547 Covenant Ct  
Gurnee, Il 60031

### Contact Us By Phone

(844) 482-2822 9AM – 5PM CST  
Technical Support: Ext. 1  
Order Support: Ext: 2

### Contact Us By Email

For general information: [Info@tactacam.com](mailto:Info@tactacam.com)  
For support needs: [Support@tactacam.com](mailto:Support@tactacam.com)

### Website

[www.tactacam.com](http://www.tactacam.com)



*Share your Hunt!*™