

instructions

AeroBlade™

ARB60, ARB53, ARB47, ARB43

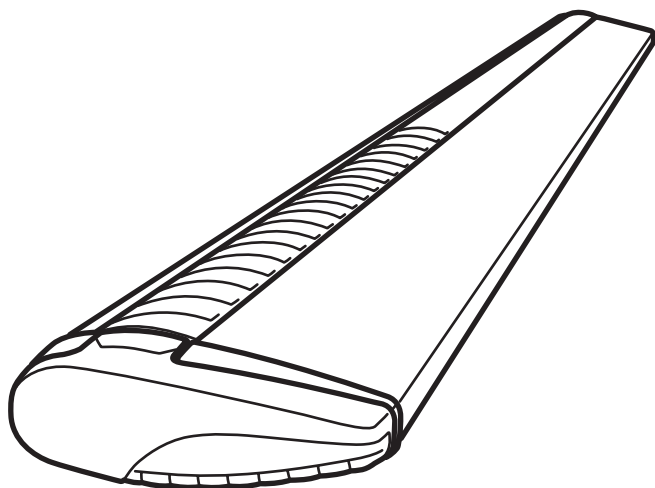
450R

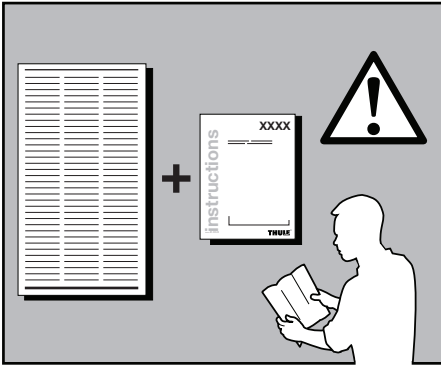


460R

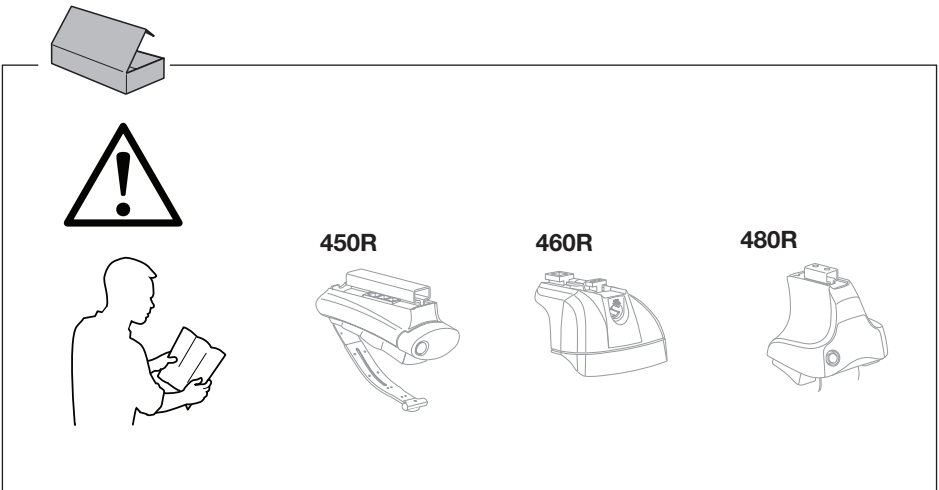
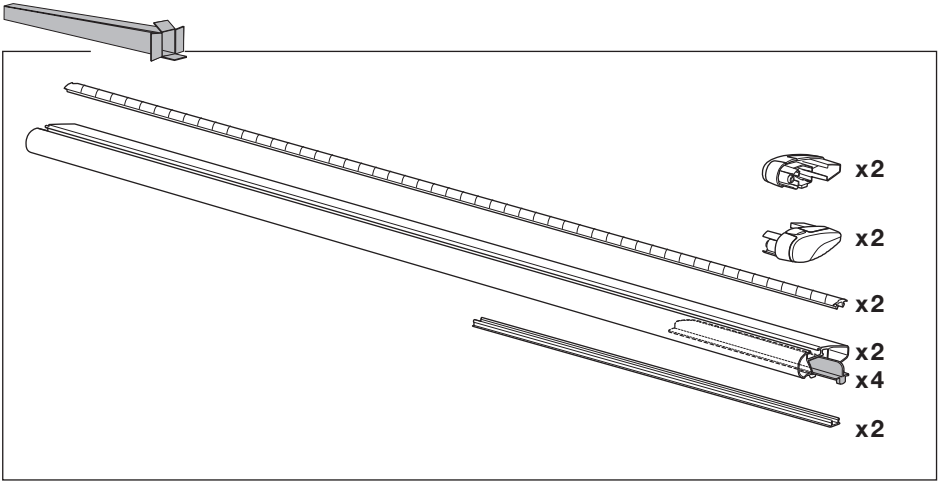


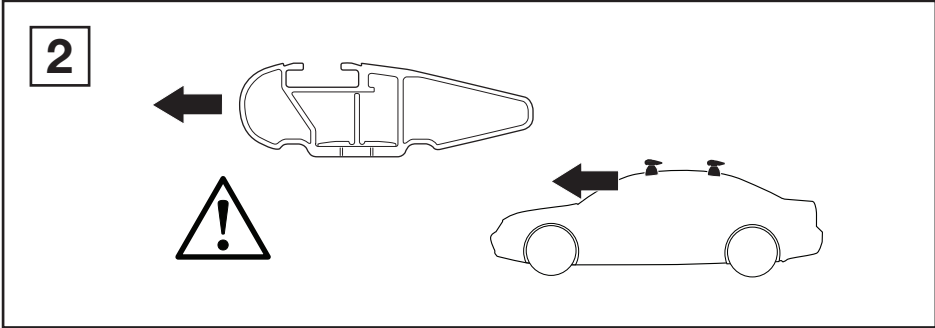
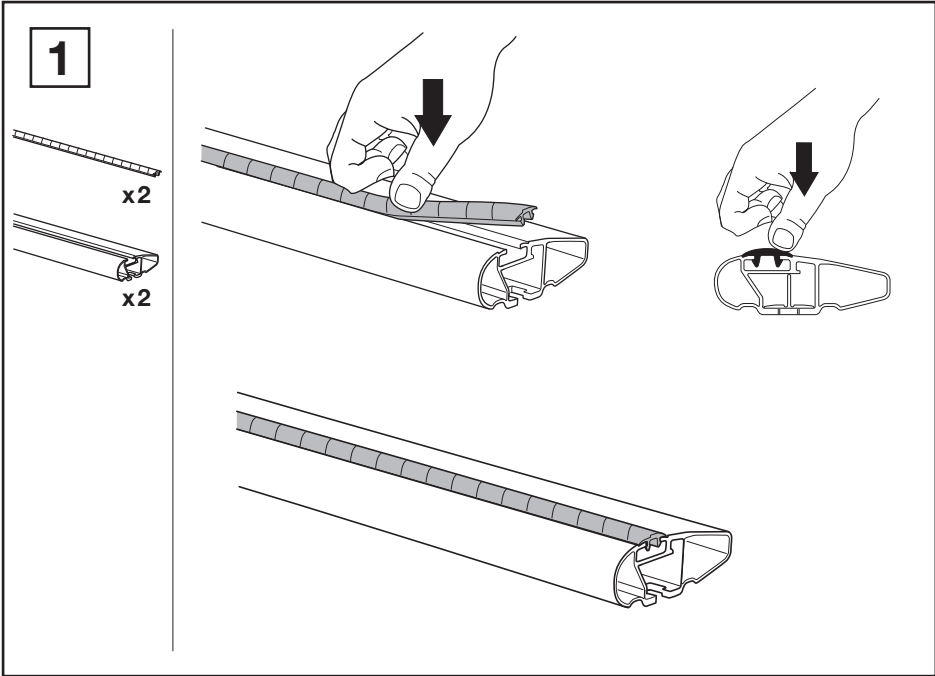
480R

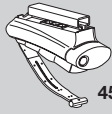




ARB43	2,3 kg	5.1 lbs
ARB47	2,5 kg	5.5 lbs
ARB53	2,9 kg	6.4 lbs
ARB60	3,2 kg	7.1 lbs



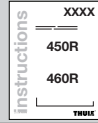




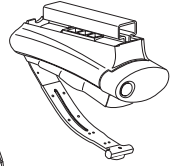
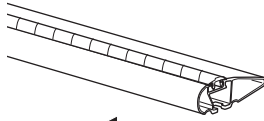
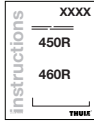
450R



460R



a



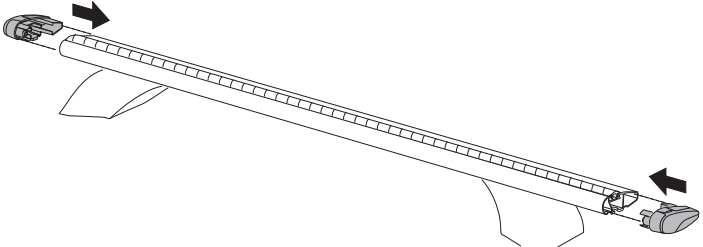
b



x2



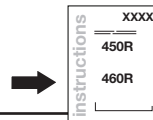
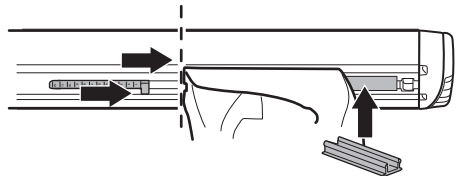
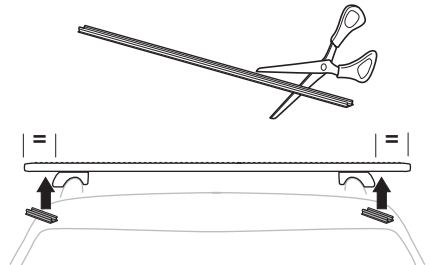
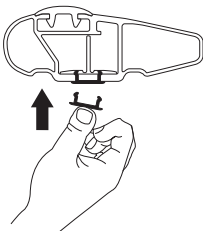
x2

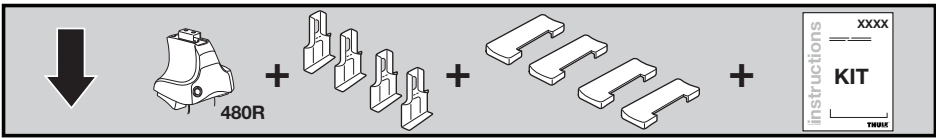


c



x2





a

See Fit Kit instructions, step #3. Use upper set of measurements for SmartSlides, as shown here. Lower set of measurements can be used with tape measure (not shown here).

AeroBlade

3	SmartSlide				
X					
Y					
3	SmartSlide				
X					
Y					
4	SmartSlide				

b

x2

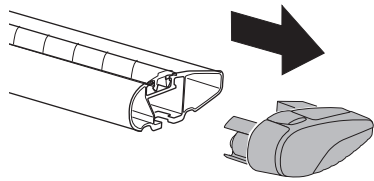
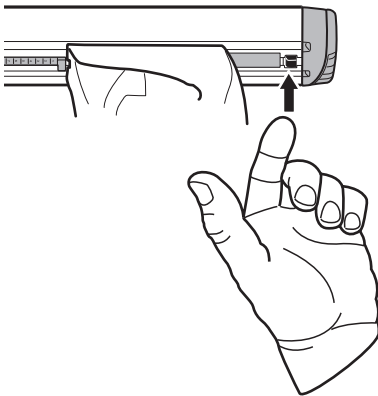
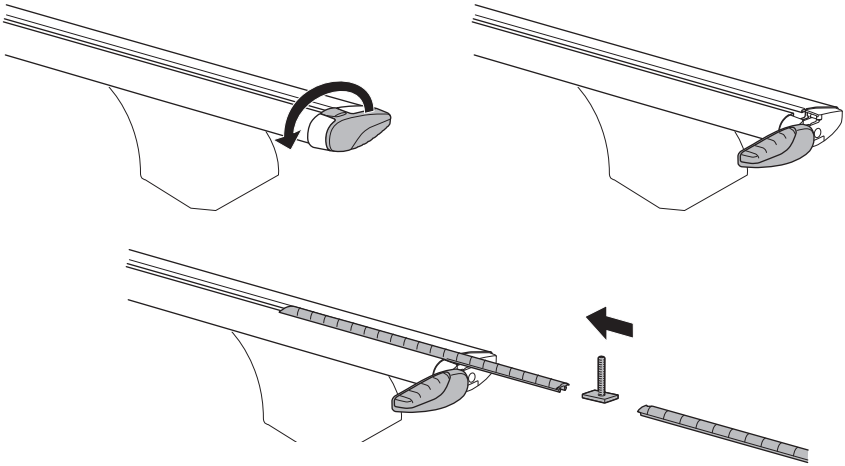
x2

c

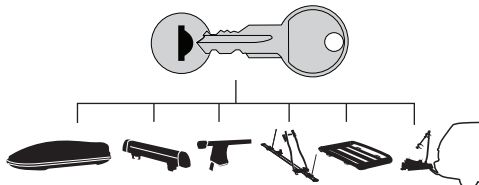
x2

instructions KIT

i



THULE
SWEDEN
**ONE
KEY
SYSTEM**



-  512 (x2)
-  544 (x4)
-  596 (x6)
-  588 (x8)

THULE RACK GUIDELINES

When using Thule Load carriers and accessories, the user must understand the precautions. The points listed below will assist you in using the rack system and will encourage safety. Unless stated otherwise in these instructions, do not carry more than 75 kg (165 lbs.) on Thule load carriers. Thule load carriers do not increase gutter or roof strength. Thule can not warranty loads that exceed this limit. Total load = cargo weight plus weight of accessories used to carry cargo.

- Check local and state laws governing projection of objects beyond the perimeter of a vehicle. Be aware of the width and height of your cargo since low clearance branches, bridges, and parking garages can affect the load. All cargo will affect the vehicle's driving behavior. Never drive with any lock, knob or rack in an open or unlocked position. All long loads such as, but not limited to, sailboards, surfboards, kayaks, canoes, and lumber must be tied down front and rear to the bumpers or tow hooks of the vehicle.
- Remove your Thule rack and accessories when they are not in use and before entering automatic car washes.
- For safety to your vehicle and rack system, obey all posted speed limits and traffic cautions. Adapt your speed to the conditions of the road and the load being carried.
- Do not use Thule load carriers and accessories for purposes other than those for which they were designed. Do not exceed their carrying capacity. Failure to follow these guidelines or the product's instructions will void the warranty.
- Consult with your Thule dealer if you have any questions regarding the operations and limits of Thule products. Review all instructions and warranty information carefully.
- Not for use on trailers or towed vehicles.
- Not for offroad use.