

# VALMEX<sup>®</sup> tent



**MEHLER**  
TECHNOLOGIES

# Translucent fabrics



**580 g/m<sup>2</sup>**



**VALMEX® tivoli white** Art. 7213



**650 g/m<sup>2</sup>**



**VALMEX® FR 650-2** Art. 8212, 7216



**VALMEX® FR metallic Gold** Art. 8509

**VALMEX® tivoli silver** Art. 7213

# Opaque fabrics



**650 g/m<sup>2</sup>**



**VALMEX® FR 650-2 blackback** Art. 8212



**800 g/m<sup>2</sup>**



**POLYMAR® poly opak white** Art. 8596



**800 g/m<sup>2</sup>**



**POLYMAR® poly opak beige** Art. 8596

|                           |                             |   |   |   |                               |
|---------------------------|-----------------------------|---|---|---|-------------------------------|
| <b>VALMEX®<br/>tivoli</b> | <b>VALMEX®<br/>FR 650-2</b> | <b>VALMEX®<br/>FR 650-2</b><br>low-wick | <b>VALMEX®<br/>FR metallic<br/>Gold</b> | <b>VALMEX®<br/>FR 650-2<br/>Blackback</b> | <b>POLYMAR®<br/>poly opak</b> |
| Art. 7213                 | Art. 8212                   | Art. 7216                               | Art. 8509                               | Art. 8212                                 | Art. 8596                     |

|   |                          |   |   |   |   |   |
|---|--------------------------|---|---|---|---|---|
| <b>Total weight</b>                             | 580 g/m <sup>2</sup>     | 650 g/m <sup>2</sup>  | 650 g/m <sup>2</sup>  | 680 g/m <sup>2</sup>  | 650 g/m <sup>2</sup>  | 800 g/m <sup>2</sup>                                    |
| <b>Tensile strength</b><br>Warp/Weft<br>N/50 mm | 2900/2700                | 2500/2500   | 2800/2700   | 3000/3000   | 2500/2500   | 3500/3500   |
| <b>Tear strength</b><br>Warp/Weft               | 300/300 N                | 250/250 N   | 300/270 N   | 300/300 N   | 250/250 N   | 350/350 N   |
| <b>Flame retardancy</b>                         | CERF CI I<br>DIN 4102 B1 | BS 7837<br>California T 19<br>CERF CI II<br>DIN 4102 B1<br>NFP M2 | BS 7837<br>California T 19<br>CERF CI II<br>DIN 4102 B1<br>NFP M2 | BS 7837<br>California T 19<br>CERF CI II<br>DIN 4102 B1<br>NFP M2 | BS 7837<br>California T 19<br>CERF CI II<br>DIN 4102 B1<br>NFP M2 | BS 7837<br>California T 19<br>CERF CI II<br>DIN 4102 B1 |
| <b>Most common width</b>                        | 250 cm                   | 250, 300 cm   | 250 cm  | 250 cm  | 250 cm  | 250, 300 cm   |

Higher strengths on request, other versions upon request **Program changes reserved**

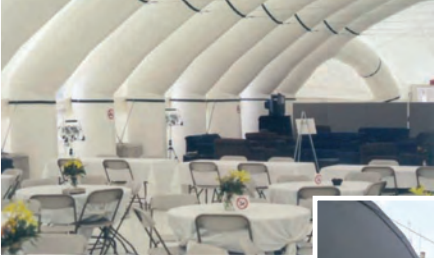
All technical data stated are based on laboratory tests at average results and are provided as a source of information and do not constitute a warranty.

Applications suggested here do not release customer to test material for its intended application.

**Always check the validity of fire certificate.**

**VALMEX® and POLYMAR®** are recyclable.

Manufactured by quality standard **DIN EN ISO 9001**.

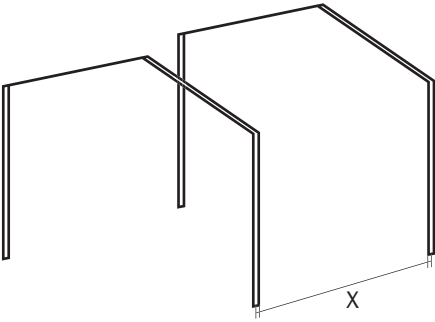


**VALMEX® tent** is a product range of high quality coated fabrics to suit a complete range of tent applications. To cater for different applications the fabrics are available in different finishes:

- Standard base fabric or low-wick base fabric
- PVDF lacquer or acrylic lacquer
- Fungicide treatment
- UV resistant

Fabrics in the **VALMEX® tent** product range are flame retardant, are easy to weld and to fabricate.

**VALMEX® FR 650-2**, art. 8212, is manufactured to suit the most common sizes of bays and different profile sizes.



X = 248 cm  
250 cm  
261 cm  
294 cm  
300 cm

- UV stabilized
- Antimould
- Antiwick
- Easy to clean
- Wide widths



# Mehler Texnologies - around the world

## Manufacturing and sales



Germany

**Mehler Texnologies GmbH**  
Rheinstrasse 11  
D-41836 Hückelhoven  
info@mehler-texnologies.com



Romania

**SC Mehler Texnologies S.R.L.**  
Str. Linia de Centura Nr.2, D2  
RO-077175 Stefanesti de Jos (Judetul Ilfov)  
office@mehler-texnologies.ro

**Mehler Texnologies GmbH**  
Edelzeller Strasse 44  
D-36043 Fulda  
info@mehler-texnologies.com



Turkey

**Mehler Texnologies Ltd. Şti.**  
Bağcılar, Güngören Sanayi Sitesi  
İkitelli Organize Sanayi  
18'ci Blok – No. 25-27-29  
Küçükçekmece, TR-İstanbul  
info-tr@mehler-texnologies.com



Czech Republic

**Mehler Texnologies s.r.o.**  
Karla Čapka 1085  
CZ-512 51 Lomnice nad Popelkou  
info@mehler-texnologies.cz



U.S.A.

**Mehler Texnologies, Inc.**  
220 B Cabell Street  
Martinsville, VA 24112  
info@mehlertexnologiesinc.com

## Sales companies and Sales offices



France

**Mehler Texnologies SARL**  
Bât. A1  
3 chemin des Cytises  
F-69340 Francheville  
info-fr@mehler-texnologies.com



United  
Arab  
Emirates

**Mehler Texnologies Middle East**  
Dubai Airport Free Zone  
P.O.Box 293634  
Dubai-UAE  
n.benfrej@mehler-texnologies.com



United Kingdom

**Mehler Texnologies Ltd.**  
Office 008, The Business Centre,  
Futures Park, Bacup,  
Rossendale, OL13 0BB  
info-uk@mehler-texnologies.com



India

**Mehler Texnologies India**  
Plot No. 52, Udyog Vihar Phase - VI,  
Sector 37, Gurgaon - 122001  
India  
info@mehler.in



Italy

**Mehler Texnologies S.p.A.**  
Via Enrico Fermi 52  
I-20019 Settimo Milanese  
info-it@mehler-texnologies.com



China

**EUSOURCE INTERNATIONAL**  
Guangzhou Office  
R.806 Goayage  
Tianyu Garden  
152 Linhe Zhong Road  
Guangzhou 510610  
brigittehuang@googlemail.com



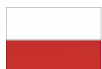
Latvia

**Mehler Texnologies S.i.a.**  
Maskavas iela 420b  
LV-1082 Rīga  
info@mehler-texnologies.lv



South Africa

**Mehler Texnologies South Africa**  
Unit 5, Station Square, 38 Station Road,  
Montague Gardens, Cape Town,  
South Africa  
n.moodley@mehler-texnologies.co.za



Poland

**Mehler Texnologies Sp. z o.o.**  
ul. Mikołajczyka 31a  
PL-41-200 Sosnowiec  
info-pl@mehler-texnologies.com



[www.mehler-texnologies.com](http://www.mehler-texnologies.com)