

# SYSTEM WIRING DIAGRAMS

## Article Text

1997 Mazda Miata

For Yorba Linda Miata

Copyright © 1998 Mitchell Repair Information Company, LLC

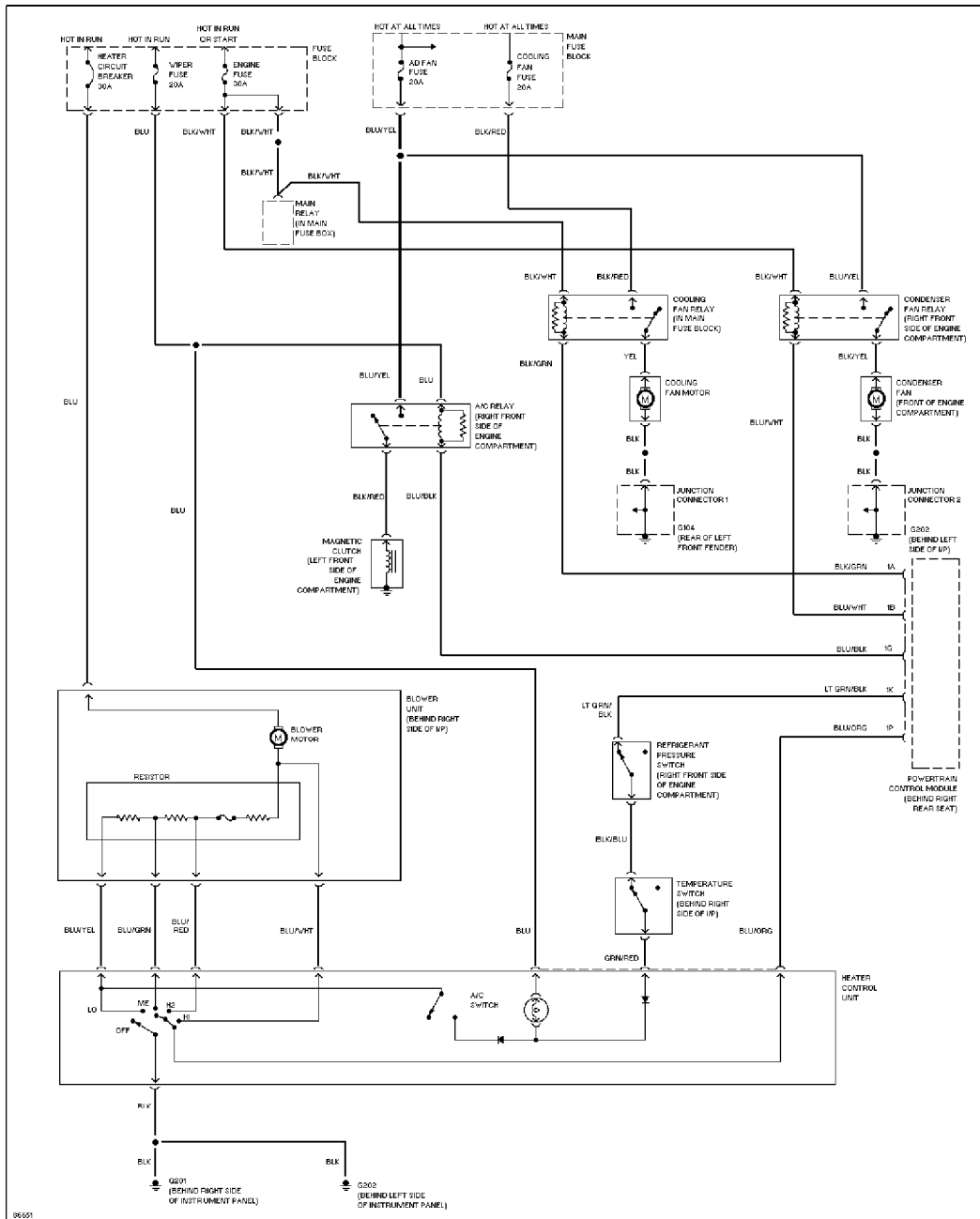
Saturday, May 10, 2003 11:55AM

### ARTICLE BEGINNING

1997 System Wiring Diagrams

Mazda - Miata

### AIR CONDITIONING



A/C Circuit

# SYSTEM WIRING DIAGRAMS

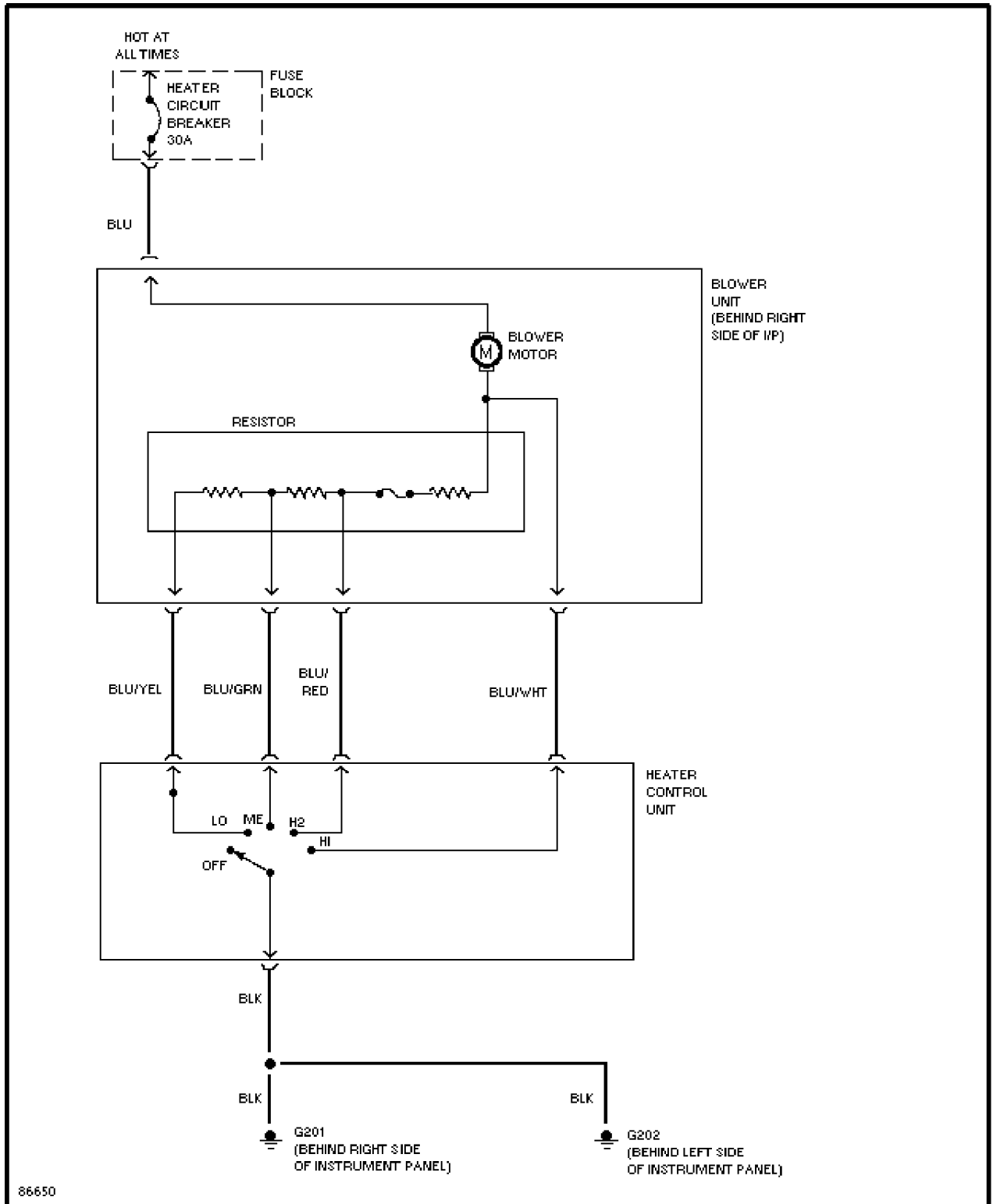
## Article Text (p. 2)

1997 Mazda Miata

For Yorba Linda Miata

Copyright © 1998 Mitchell Repair Information Company, LLC

Saturday, May 10, 2003 11:55AM



Heater Circuit

# SYSTEM WIRING DIAGRAMS

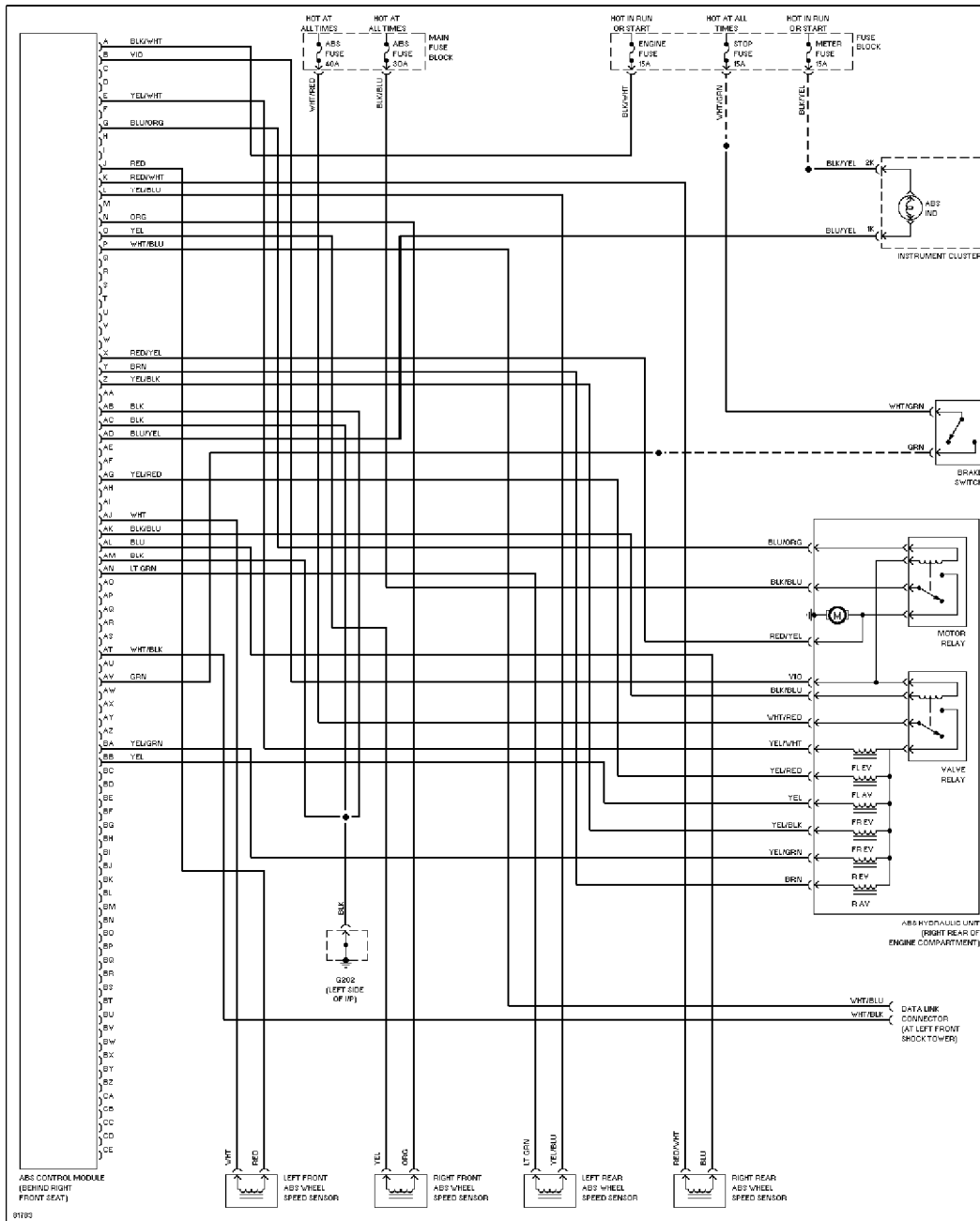
Article Text (p. 3)

1997 Mazda Miata

For Yorba Linda Miata

Copyright © 1998 Mitchell Repair Information Company, LLC

Saturday, May 10, 2003 11:55AM



Anti-lock Brake Circuits

## COMPUTER DATA LINES

# SYSTEM WIRING DIAGRAMS

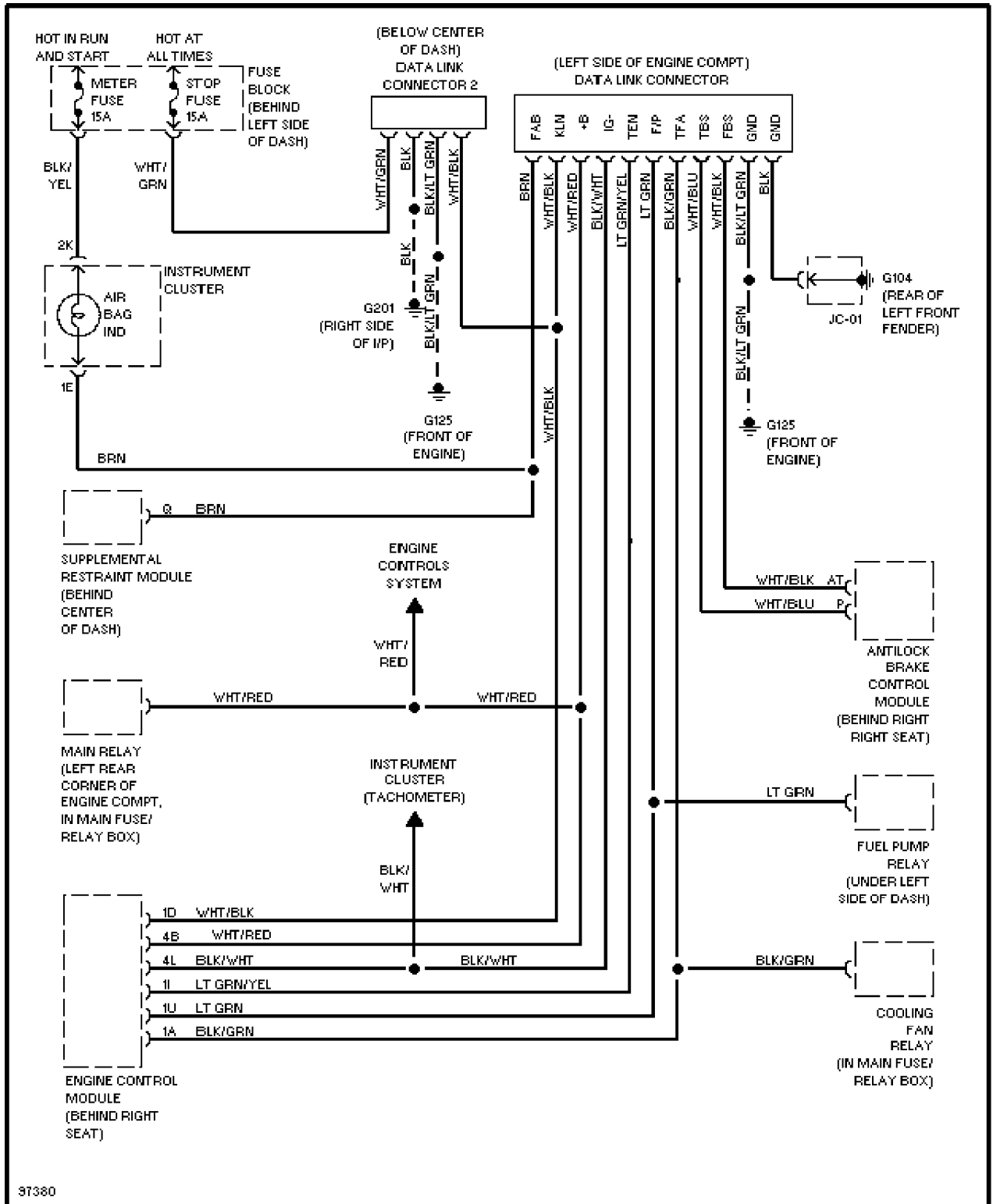
Article Text (p. 4)

1997 Mazda Miata

For Yorba Linda Miata

Copyright © 1998 Mitchell Repair Information Company, LLC

Saturday, May 10, 2003 11:55AM



97380

Computer Data Lines

COOLING FAN

# SYSTEM WIRING DIAGRAMS

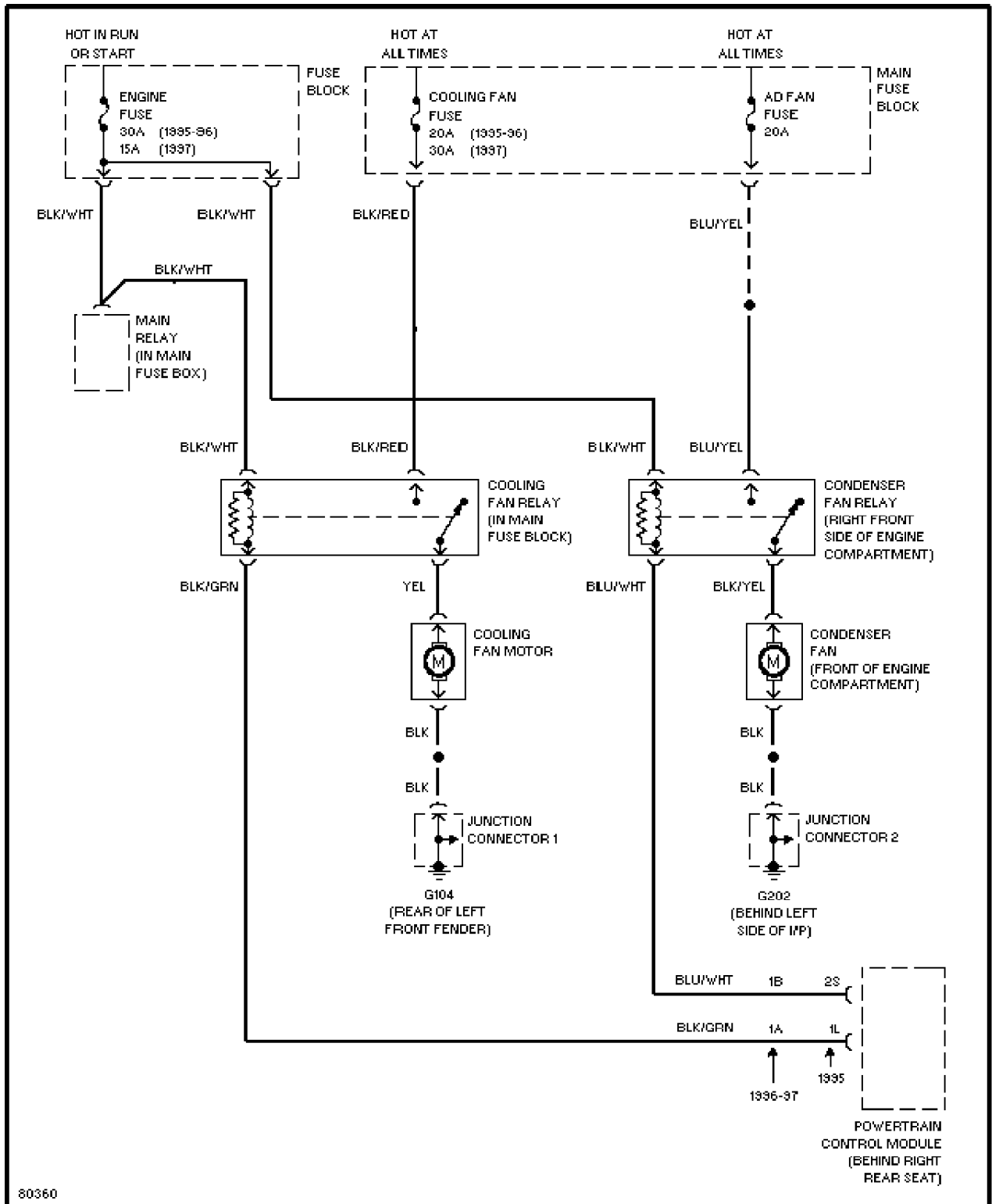
## Article Text (p. 5)

1997 Mazda Miata

For Yorba Linda Miata

Copyright © 1998 Mitchell Repair Information Company, LLC

Saturday, May 10, 2003 11:55AM



80360

Cooling Fan Circuit

# SYSTEM WIRING DIAGRAMS

Article Text (p. 6)

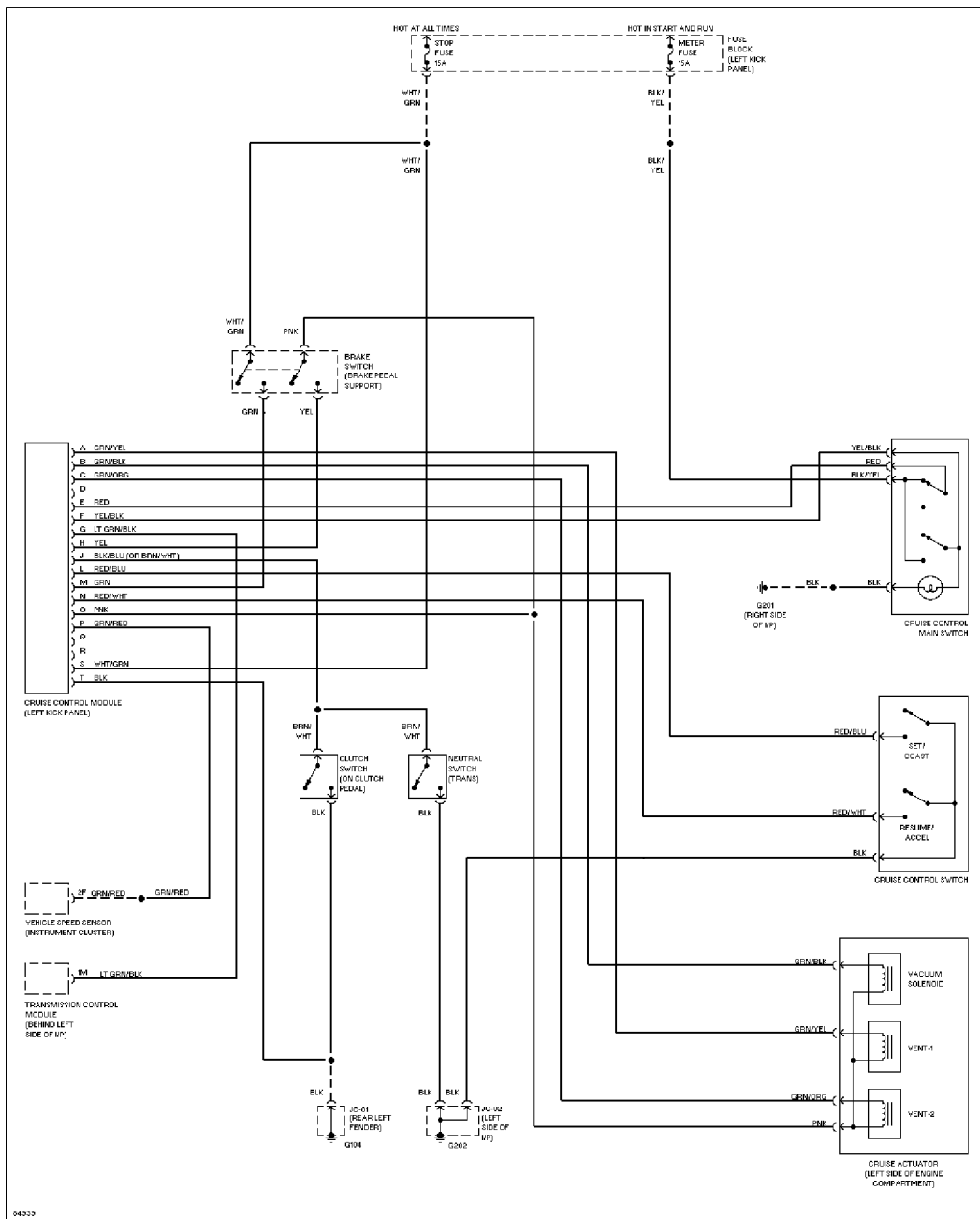
1997 Mazda Miata

For Yorba Linda Miata

Copyright © 1998 Mitchell Repair Information Company, LLC

Saturday, May 10, 2003 11:55AM

## CRUISE CONTROL



Cruise Control Circuit

## DEFOGGERS

# SYSTEM WIRING DIAGRAMS

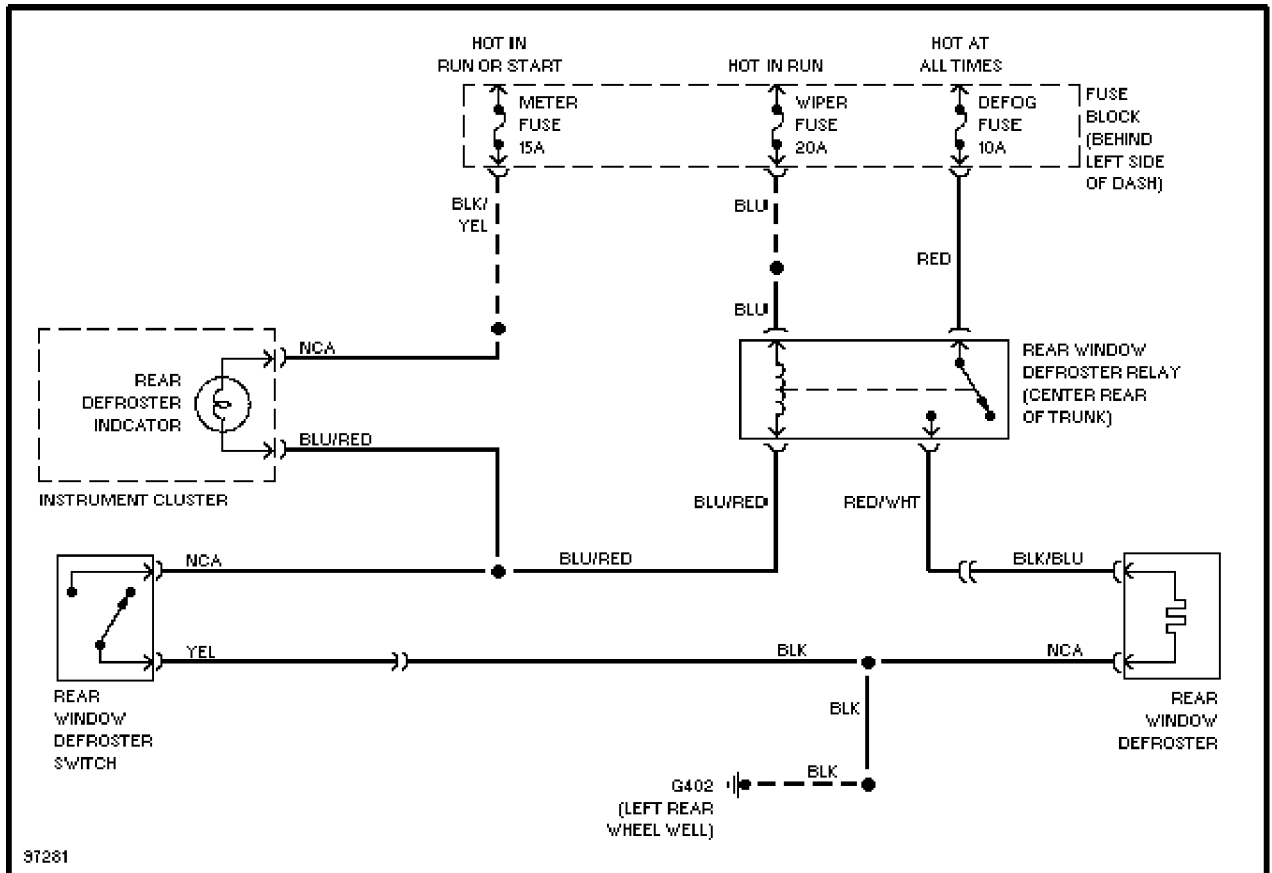
## Article Text (p. 7)

1997 Mazda Miata

For Yorba Linda Miata

Copyright © 1998 Mitchell Repair Information Company, LLC

Saturday, May 10, 2003 11:55AM



Defogger Circuit

## ENGINE PERFORMANCE

1.8L

# SYSTEM WIRING DIAGRAMS

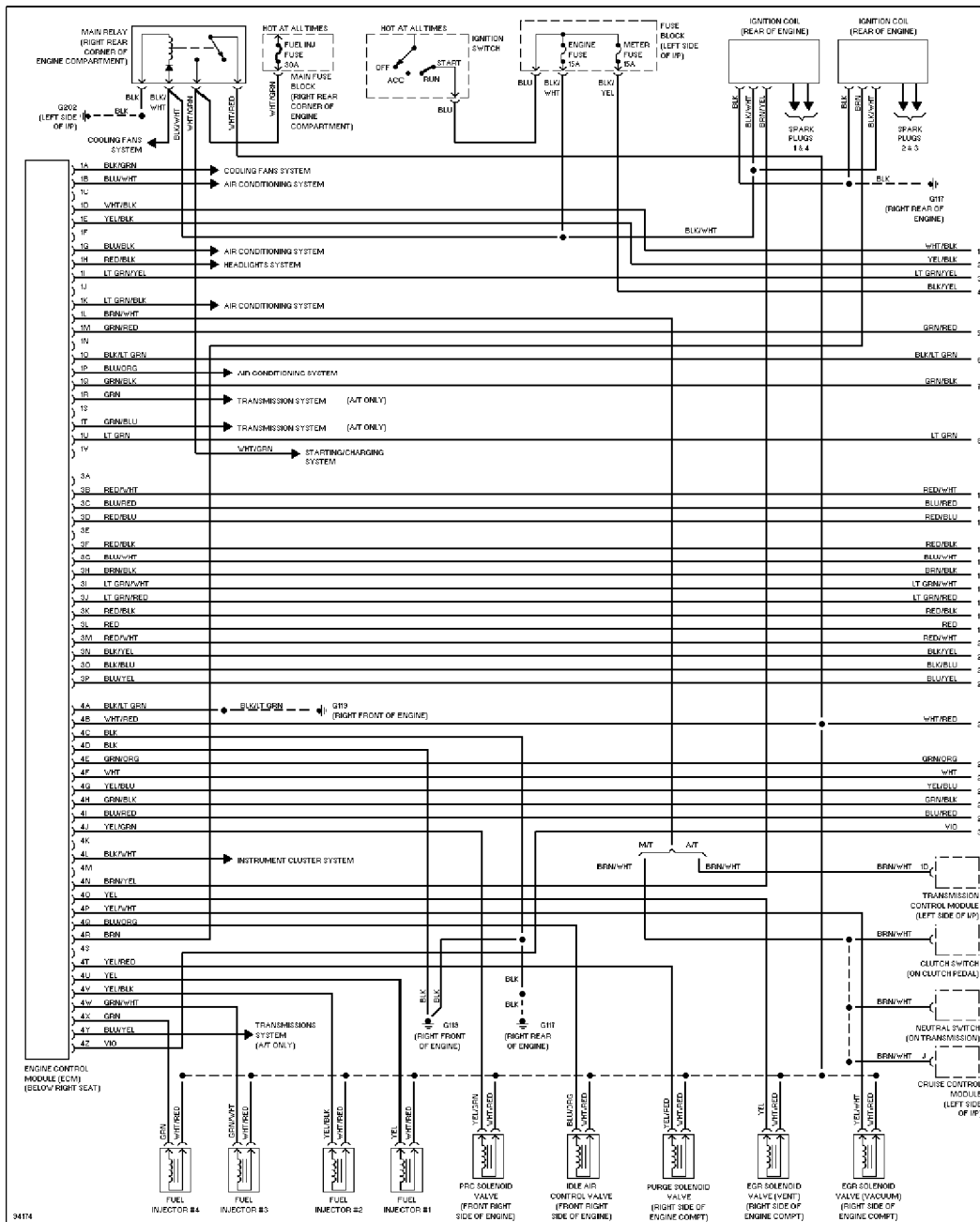
Article Text (p. 8)

1997 Mazda Miata

For Yorba Linda Miata

Copyright © 1998 Mitchell Repair Information Company, LLC

Saturday, May 10, 2003 11:55AM



1.8L, Engine Performance Circuits (1 of 2)



# SYSTEM WIRING DIAGRAMS

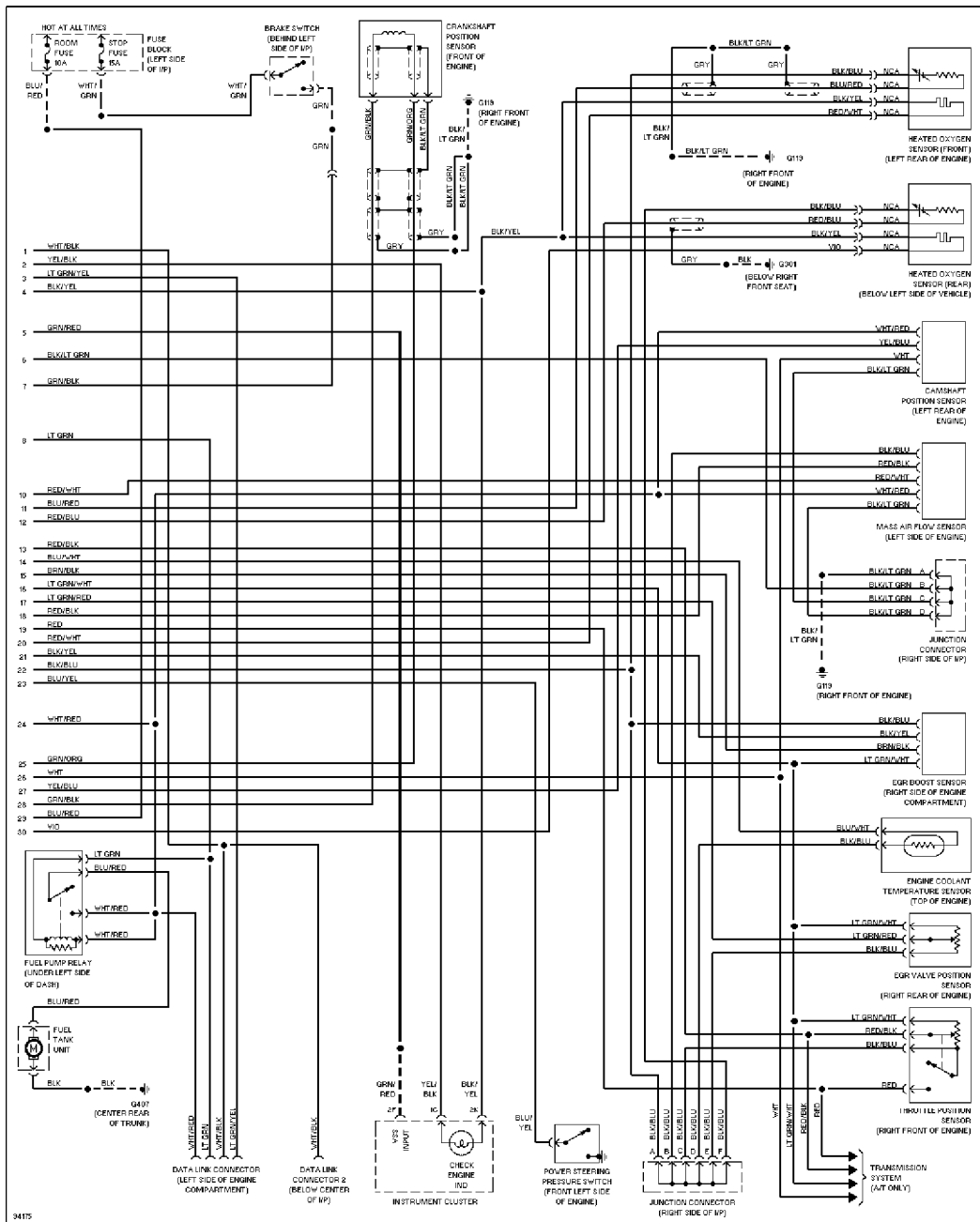
Article Text (p. 9)

1997 Mazda Miata

For Yorba Linda Miata

Copyright © 1998 Mitchell Repair Information Company, LLC

Saturday, May 10, 2003 11:55AM



1.8L, Engine Performance Circuits (2 of 2)

## EXTERIOR LIGHTS

# SYSTEM WIRING DIAGRAMS

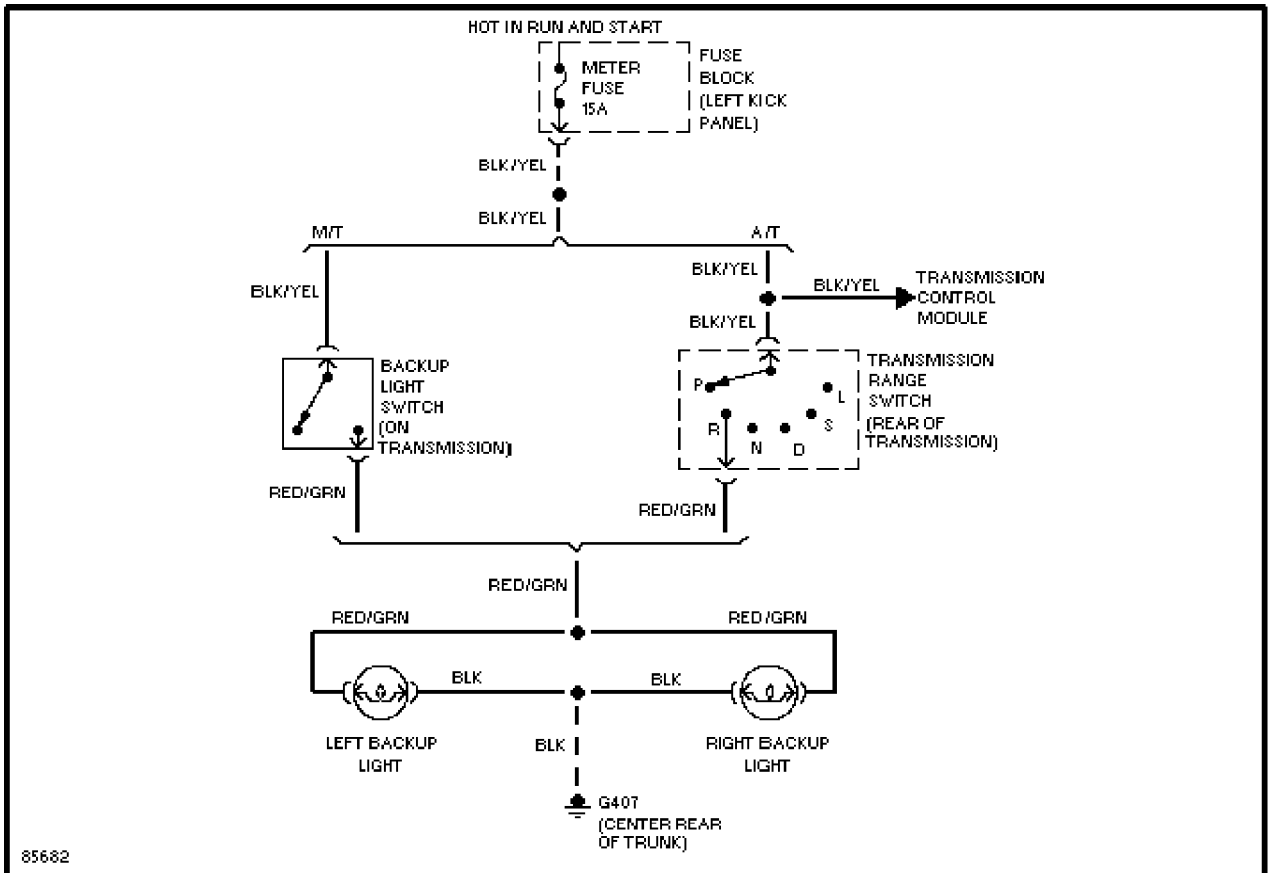
Article Text (p. 10)

1997 Mazda Miata

For Yorba Linda Miata

Copyright © 1998 Mitchell Repair Information Company, LLC

Saturday, May 10, 2003 11:55AM



Back-up Lamps Circuit

# SYSTEM WIRING DIAGRAMS

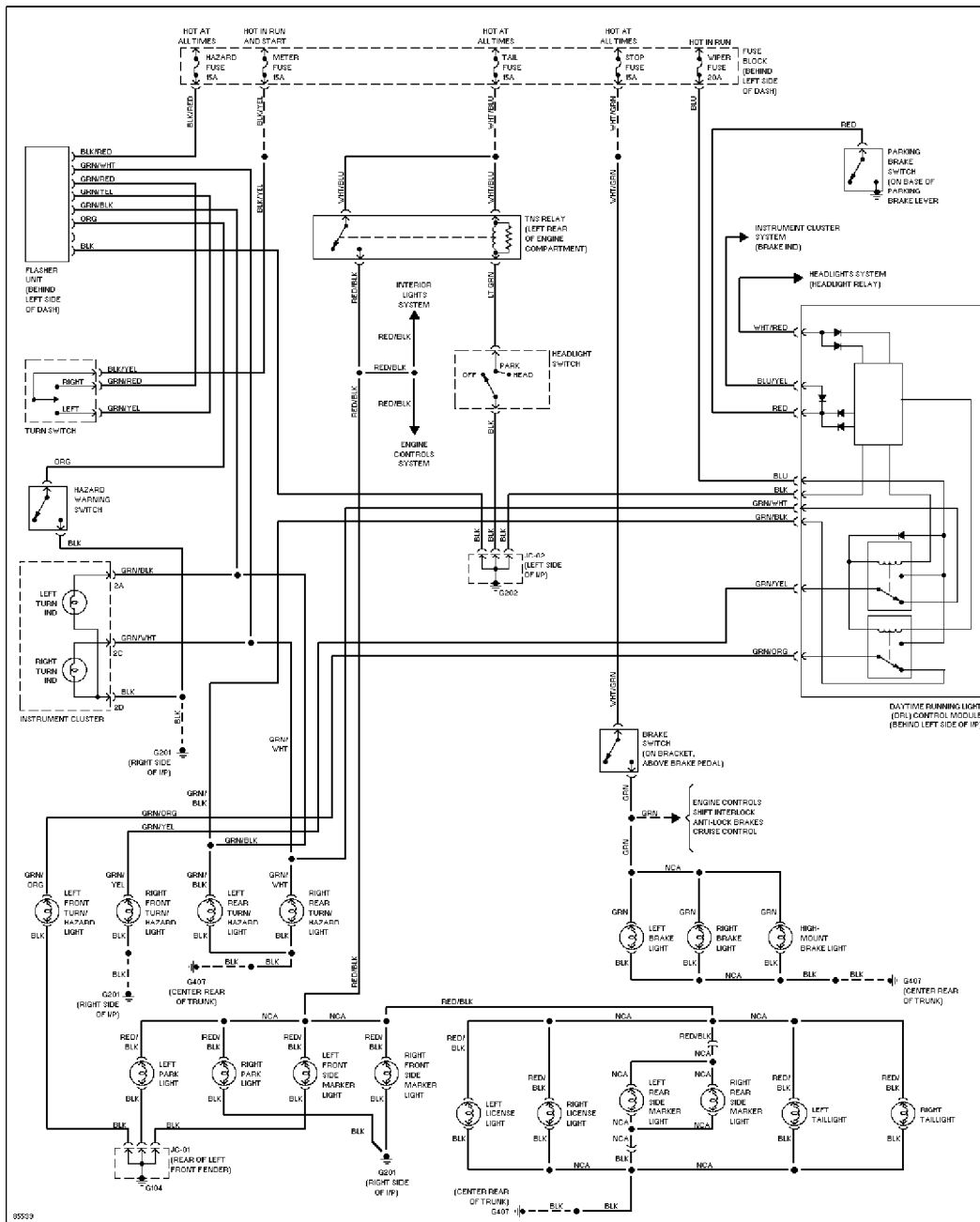
Article Text (p. 11)

1997 Mazda Miata

For Yorba Linda Miata

Copyright © 1998 Mitchell Repair Information Company, LLC

Saturday, May 10, 2003 11:55AM



Exterior Lamps Circuit, W/ DRL

# SYSTEM WIRING DIAGRAMS

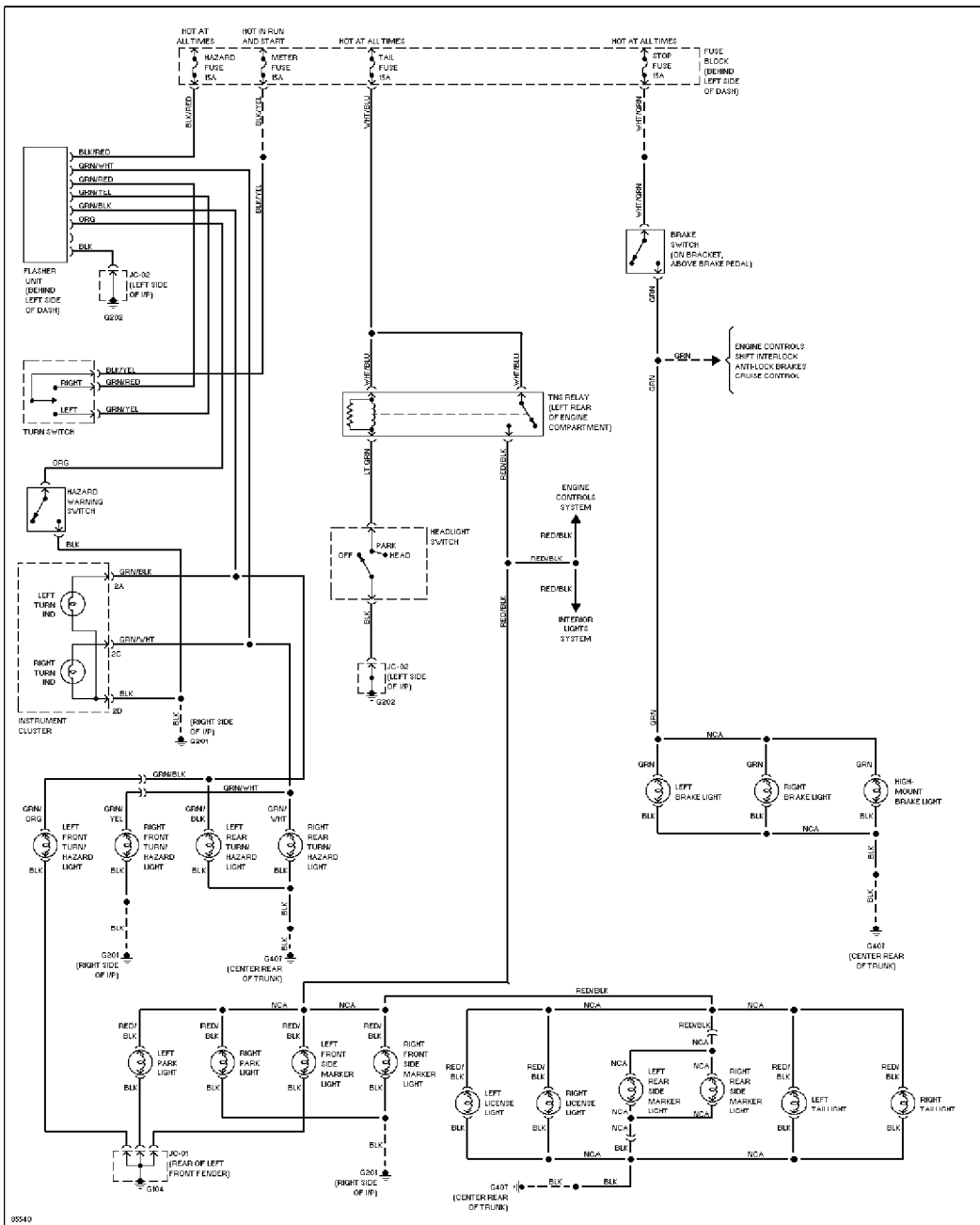
Article Text (p. 12)

1997 Mazda Miata

For Yorba Linda Miata

Copyright © 1998 Mitchell Repair Information Company, LLC

Saturday, May 10, 2003 11:55AM



Exterior Lamps Circuit, W/O DRL

## GROUND DISTRIBUTION

# SYSTEM WIRING DIAGRAMS

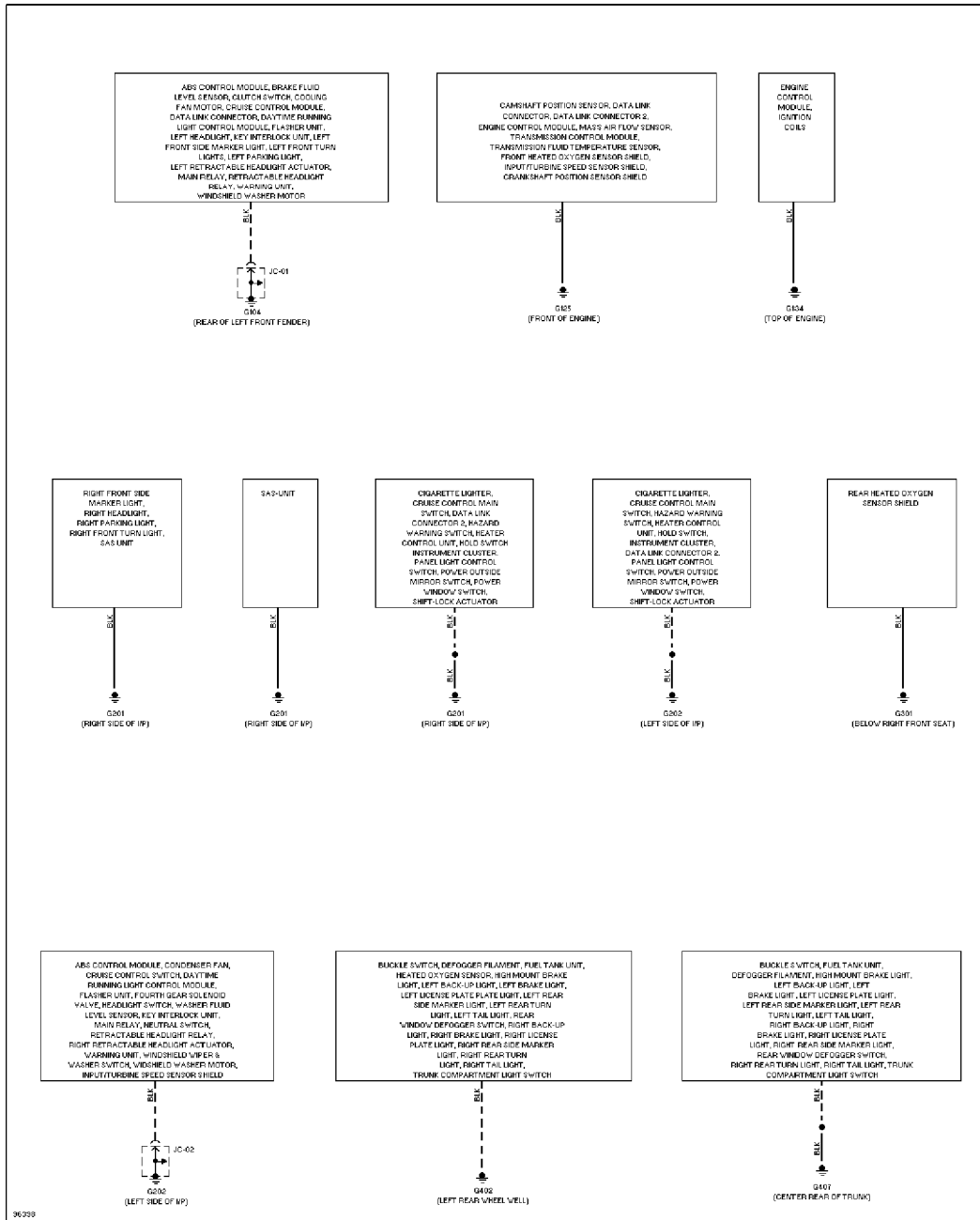
Article Text (p. 13)

1997 Mazda Miata

For Yorba Linda Miata

Copyright © 1998 Mitchell Repair Information Company, LLC

Saturday, May 10, 2003 11:55AM



Ground Distribution Circuit

## HEADLIGHTS

# SYSTEM WIRING DIAGRAMS

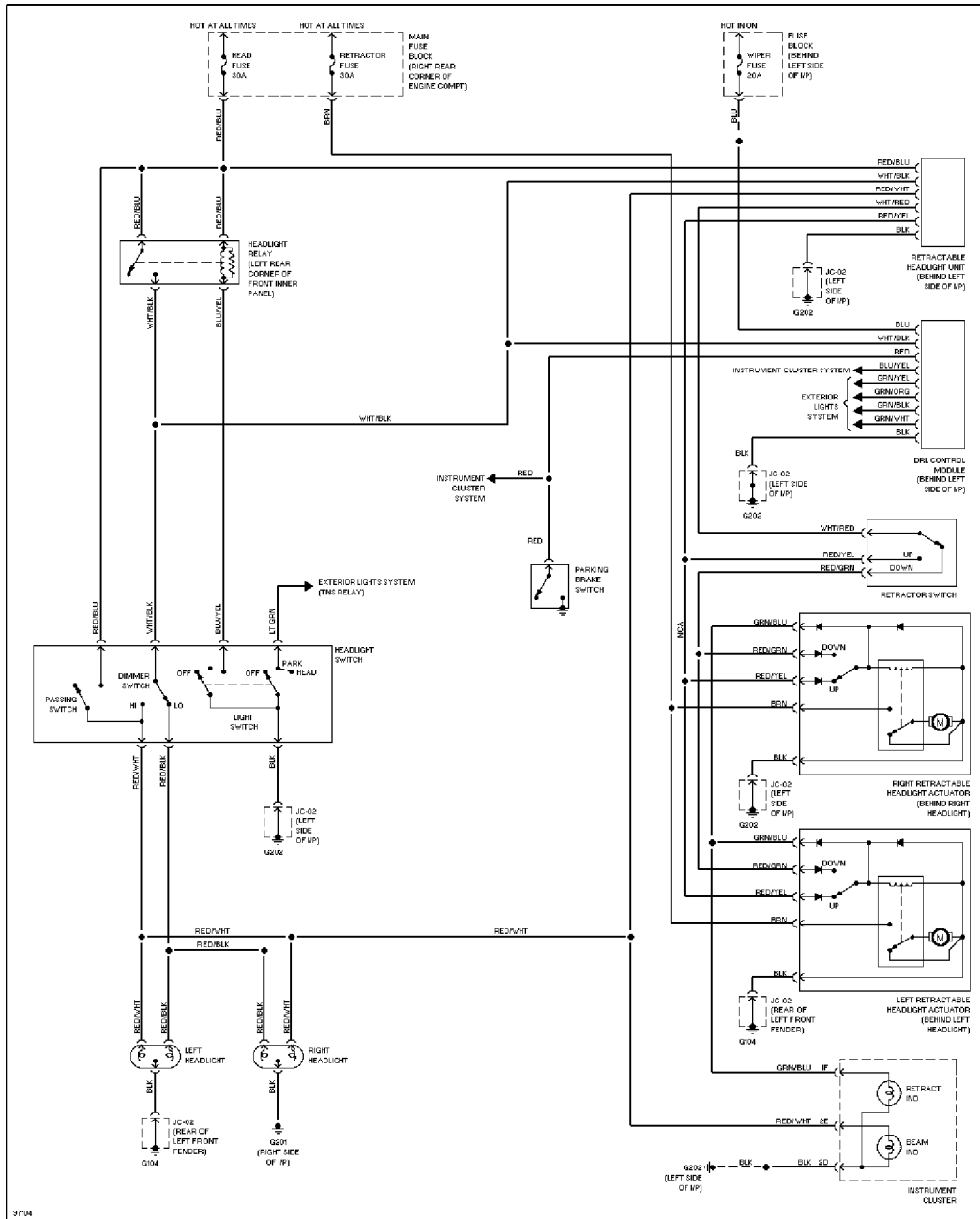
Article Text (p. 14)

1997 Mazda Miata

For Yorba Linda Miata

Copyright © 1998 Mitchell Repair Information Company, LLC

Saturday, May 10, 2003 11:55AM



Headlight Circuit, W/ DRL

# SYSTEM WIRING DIAGRAMS

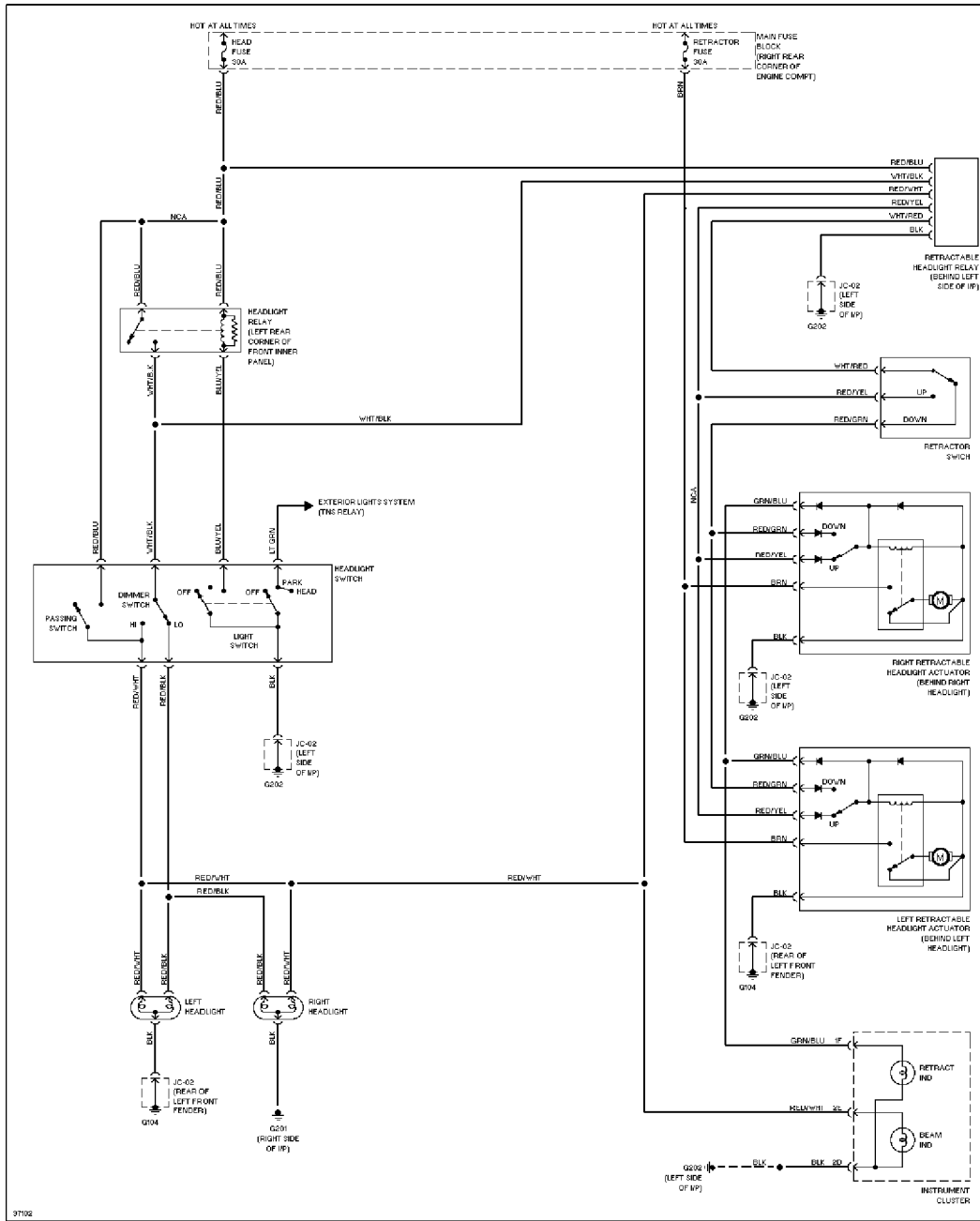
Article Text (p. 15)

1997 Mazda Miata

For Yorba Linda Miata

Copyright © 1998 Mitchell Repair Information Company, LLC

Saturday, May 10, 2003 11:55AM



Headlight Circuit, W/O DRL

## HORN

# SYSTEM WIRING DIAGRAMS

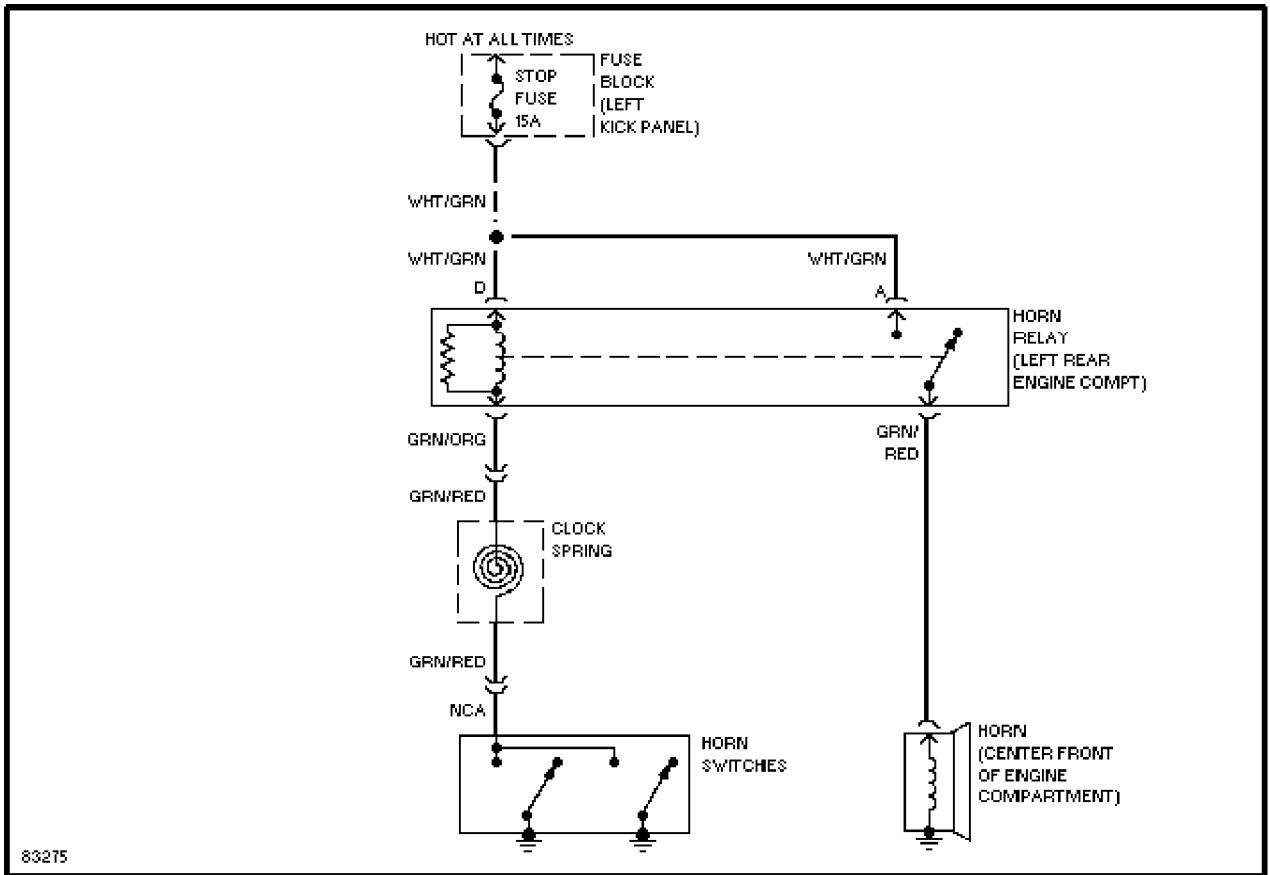
Article Text (p. 16)

1997 Mazda Miata

For Yorba Linda Miata

Copyright © 1998 Mitchell Repair Information Company, LLC

Saturday, May 10, 2003 11:55AM



Horn Circuit

## INSTRUMENT CLUSTER



# SYSTEM WIRING DIAGRAMS

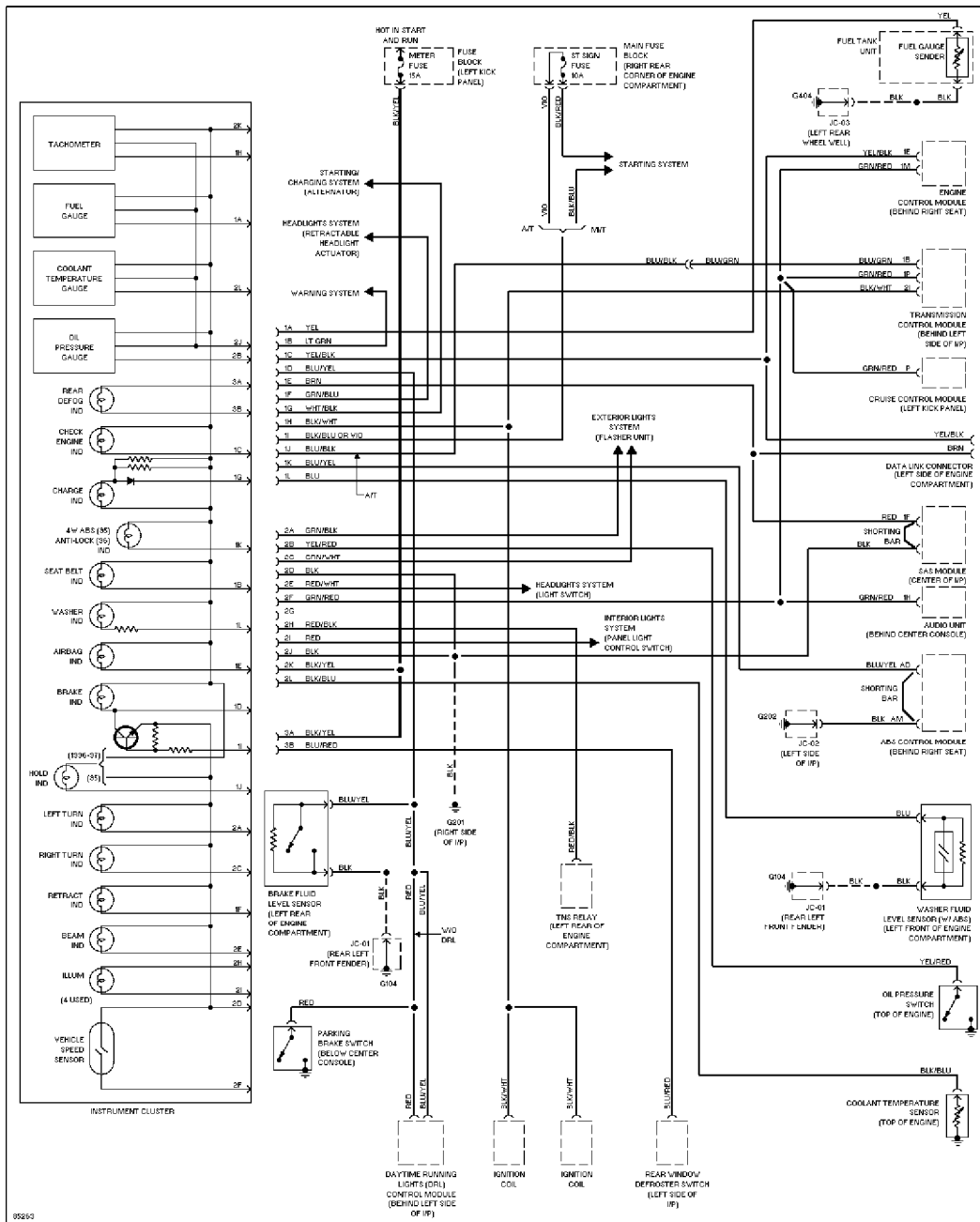
Article Text (p. 17)

1997 Mazda Miata

For Yorba Linda Miata

Copyright © 1998 Mitchell Repair Information Company, LLC

Saturday, May 10, 2003 11:55AM



Instrument Cluster Circuit

## INTERIOR LIGHTS

# SYSTEM WIRING DIAGRAMS

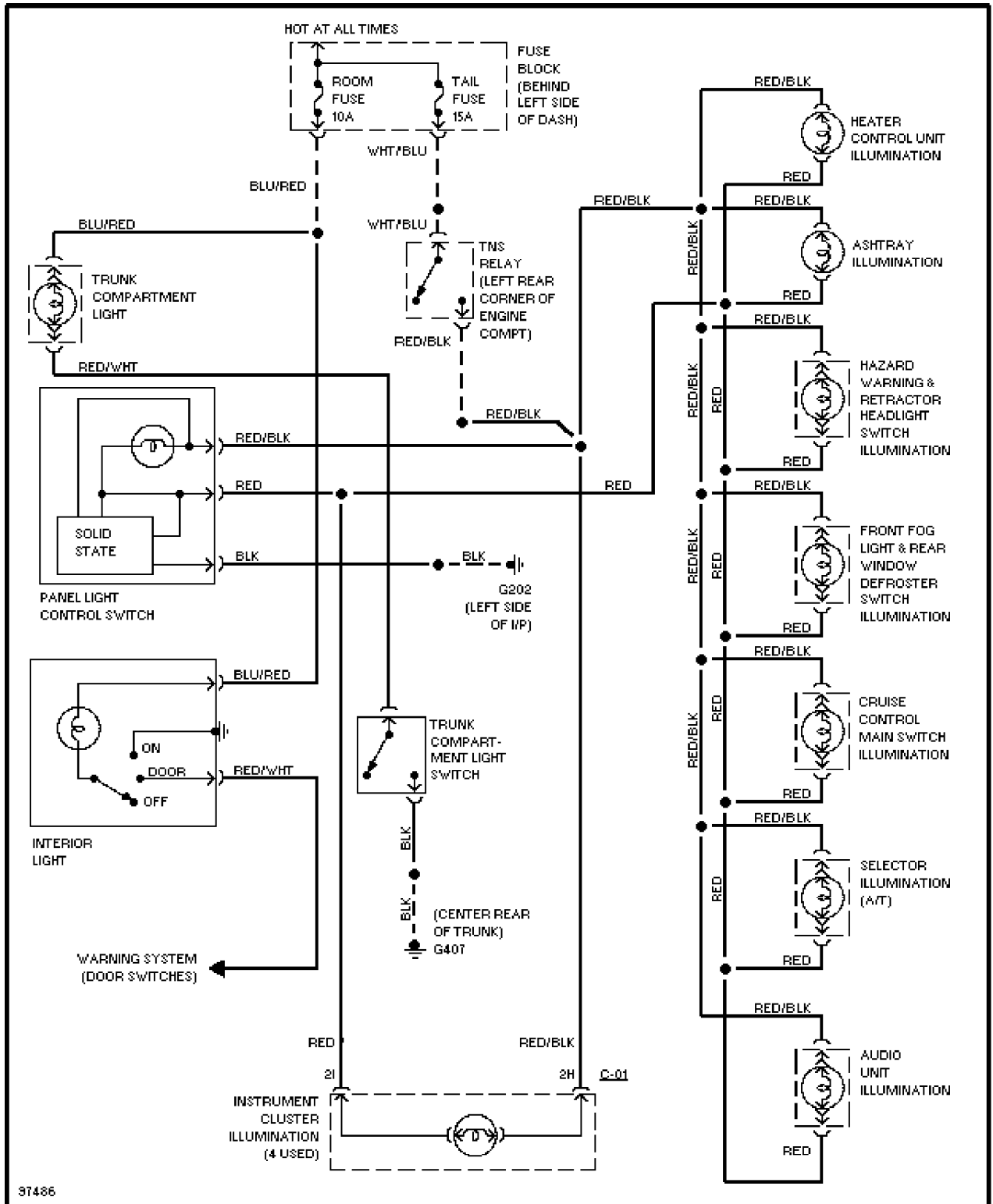
Article Text (p. 18)

1997 Mazda Miata

For Yorba Linda Miata

Copyright © 1998 Mitchell Repair Information Company, LLC

Saturday, May 10, 2003 11:55AM



Interior Light Circuit

POWER ANTENNA

# SYSTEM WIRING DIAGRAMS

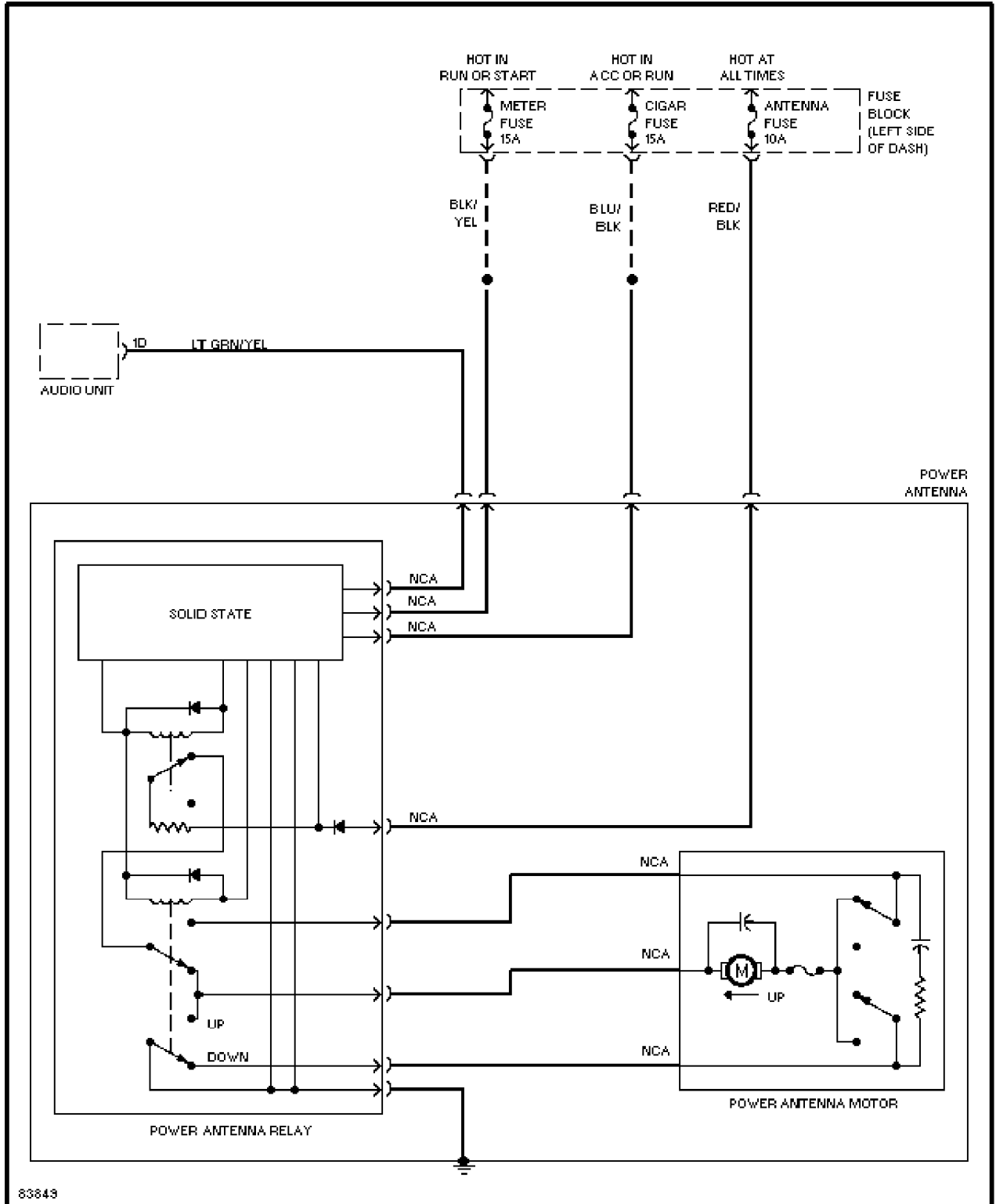
Article Text (p. 19)

1997 Mazda Miata

For Yorba Linda Miata

Copyright © 1998 Mitchell Repair Information Company, LLC

Saturday, May 10, 2003 11:55AM



Power Antenna Circuit

# SYSTEM WIRING DIAGRAMS

Article Text (p. 20)

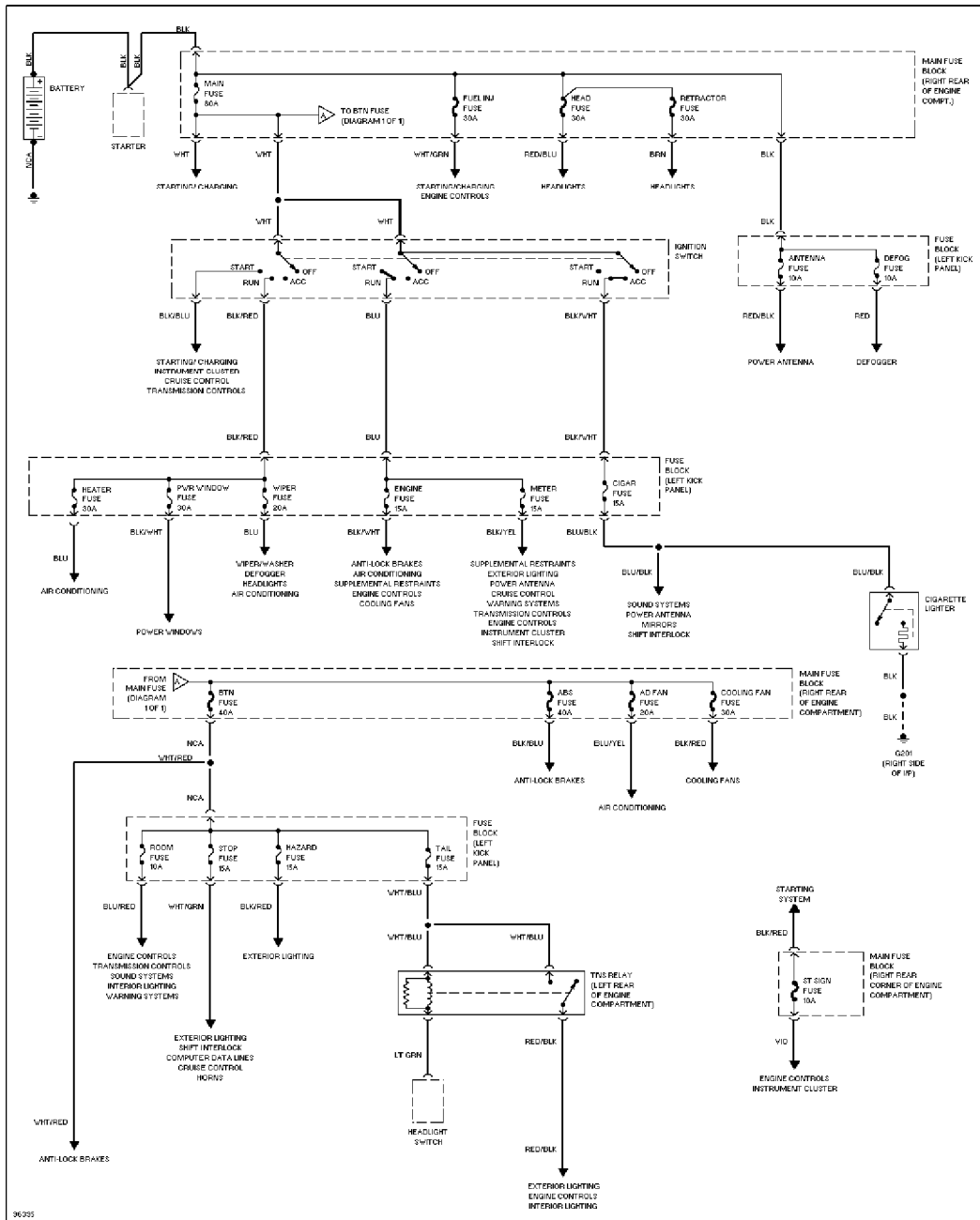
1997 Mazda Miata

For Yorba Linda Miata

Copyright © 1998 Mitchell Repair Information Company, LLC

Saturday, May 10, 2003 11:55AM

## POWER DISTRIBUTION



Power Distribution Circuit

## POWER MIRRORS

# SYSTEM WIRING DIAGRAMS

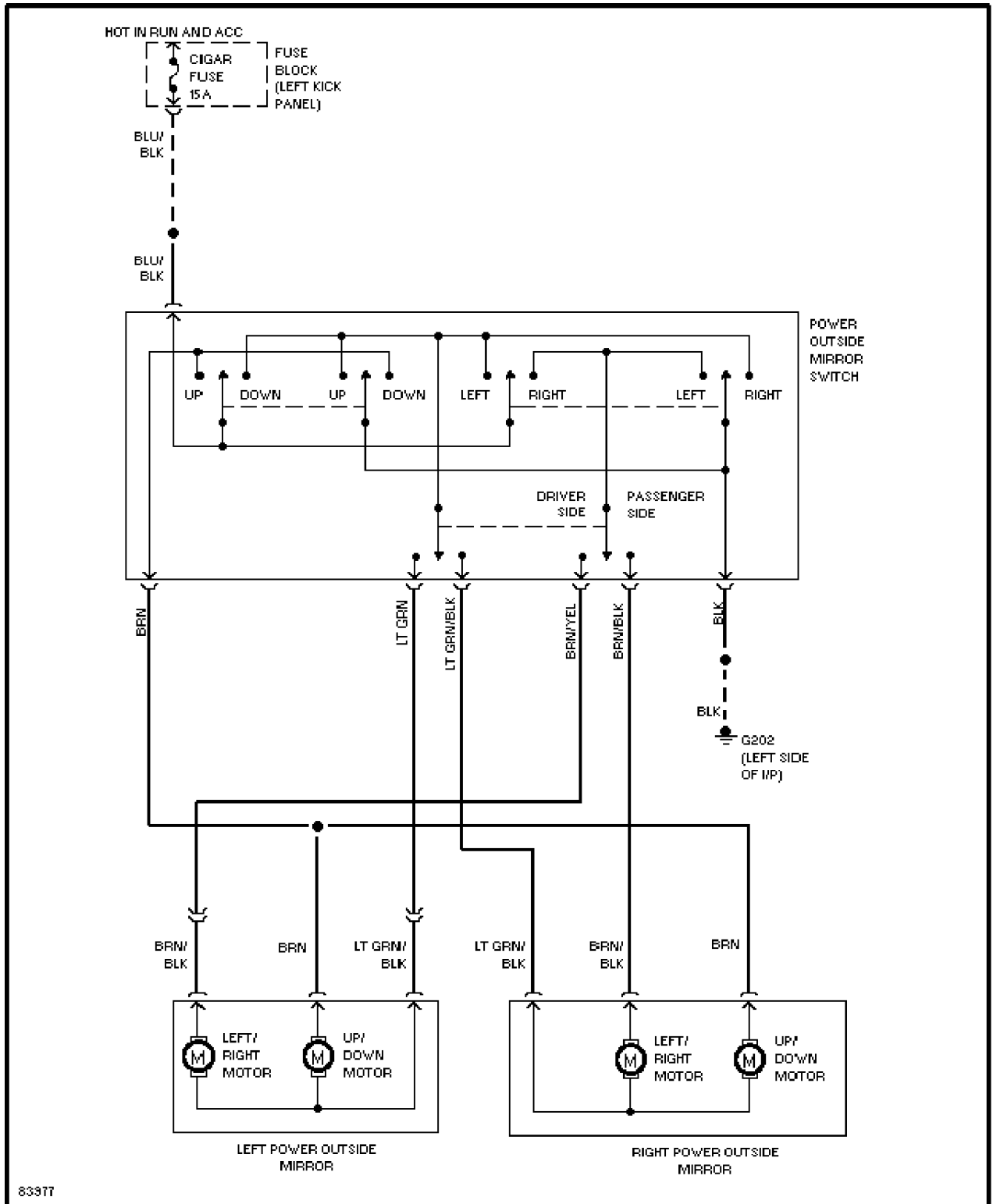
Article Text (p. 21)

1997 Mazda Miata

For Yorba Linda Miata

Copyright © 1998 Mitchell Repair Information Company, LLC

Saturday, May 10, 2003 11:55AM



Power Mirror Circuit

## POWER WINDOWS

# SYSTEM WIRING DIAGRAMS

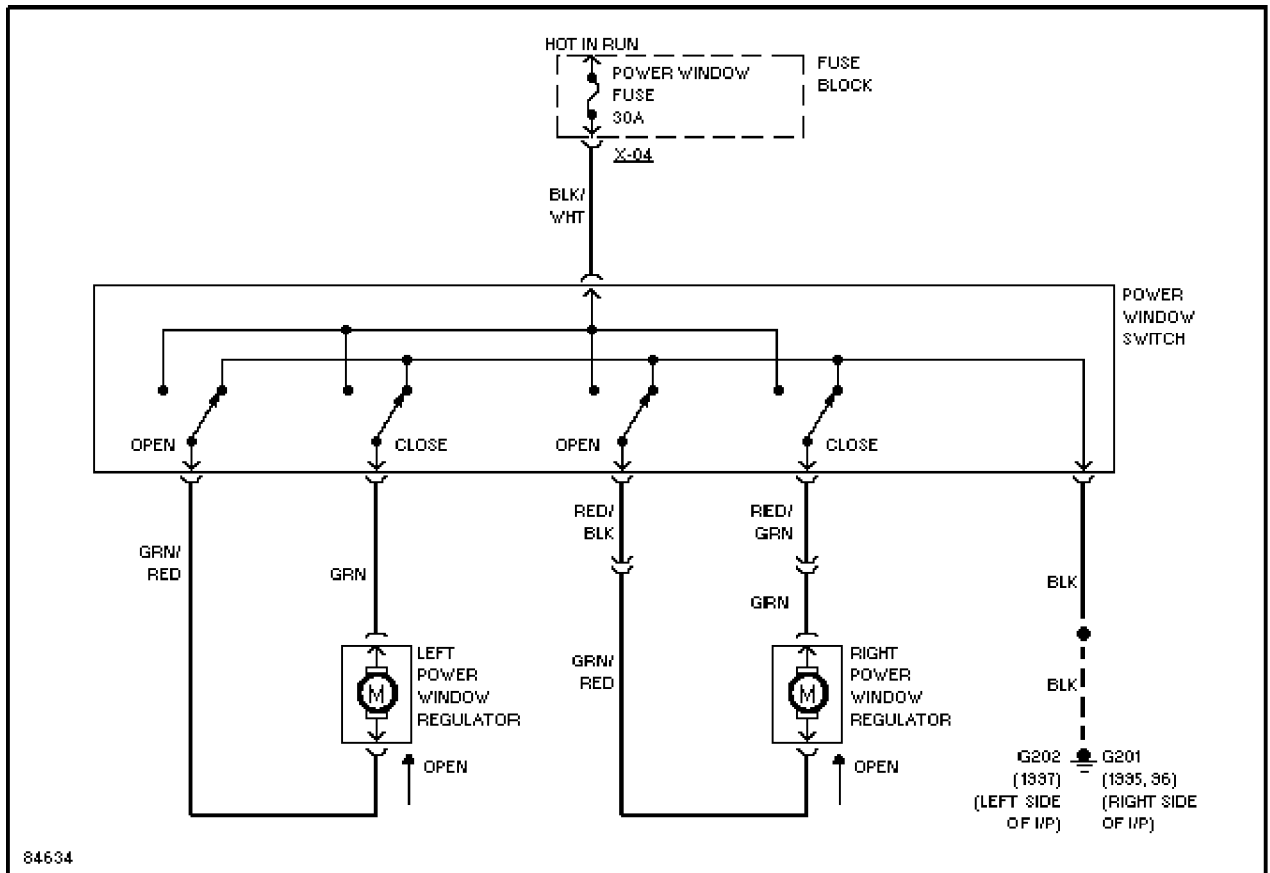
Article Text (p. 22)

1997 Mazda Miata

For Yorba Linda Miata

Copyright © 1998 Mitchell Repair Information Company, LLC

Saturday, May 10, 2003 11:55AM



Power Window Circuit

RADIO

# SYSTEM WIRING DIAGRAMS

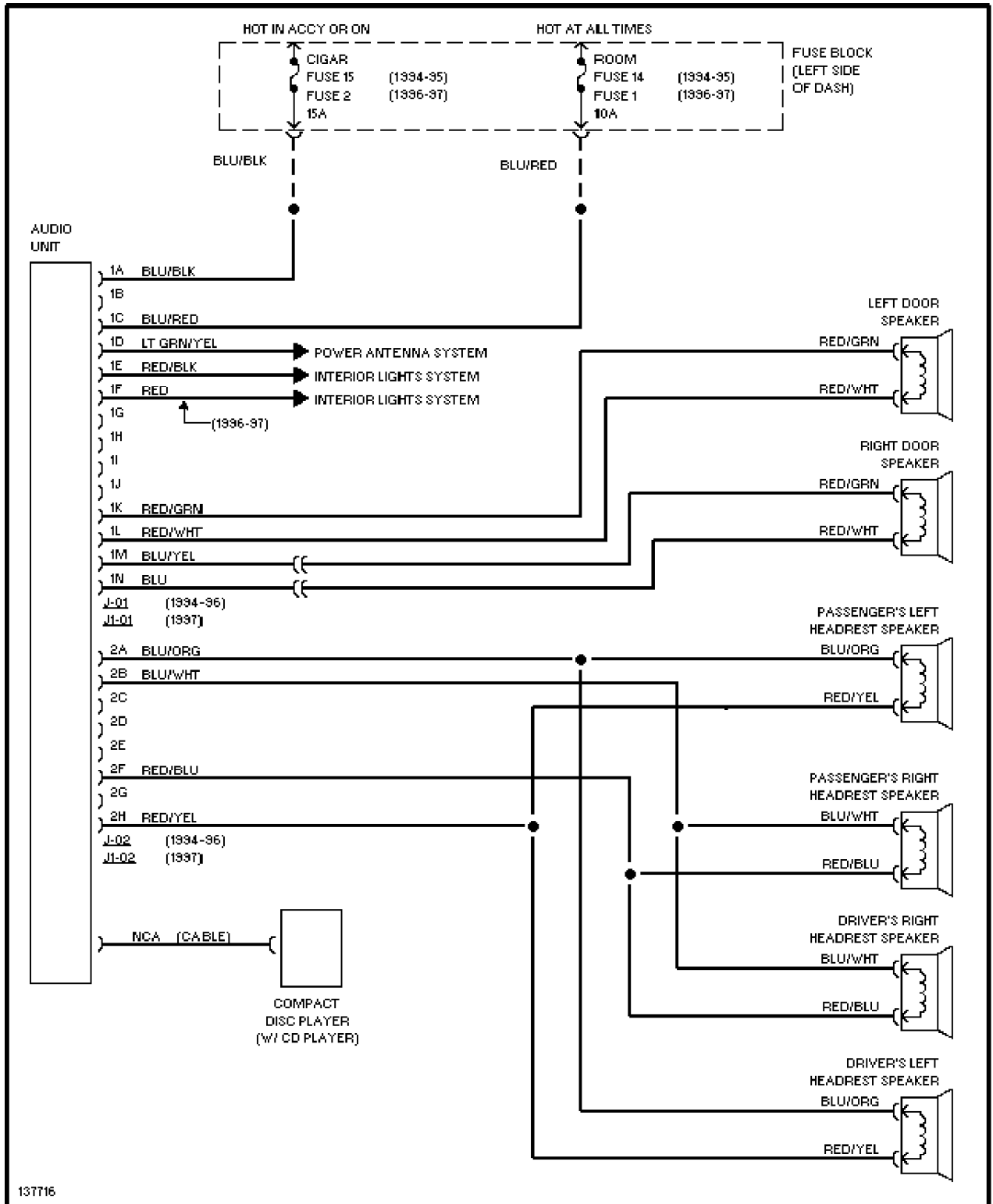
Article Text (p. 23)

1997 Mazda Miata

For Yorba Linda Miata

Copyright © 1998 Mitchell Repair Information Company, LLC

Saturday, May 10, 2003 11:55AM



137716

Base Radio

# SYSTEM WIRING DIAGRAMS

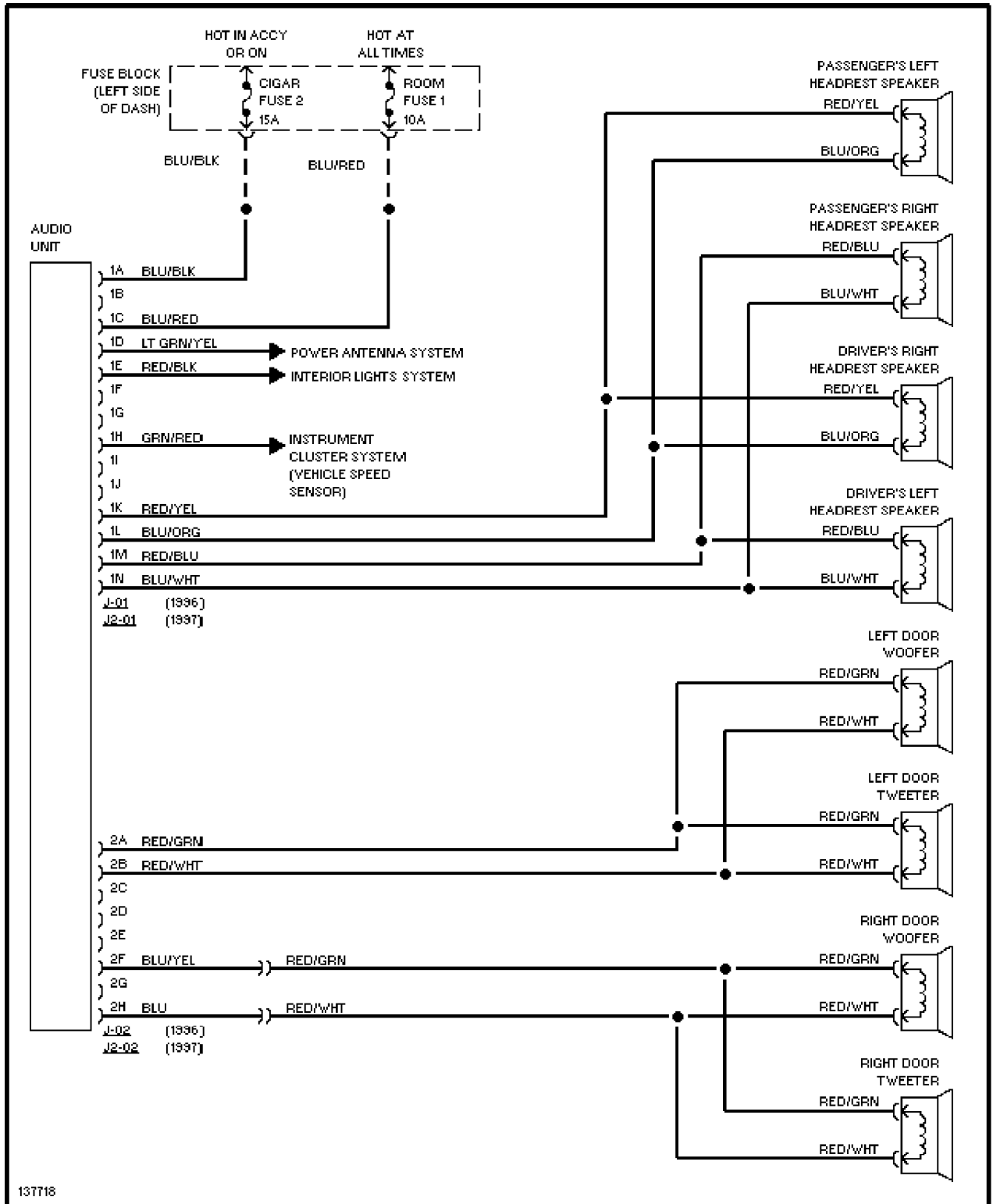
Article Text (p. 24)

1997 Mazda Miata

For Yorba Linda Miata

Copyright © 1998 Mitchell Repair Information Company, LLC

Saturday, May 10, 2003 11:55AM



Premium Sound Radio Circuit

SHIFT INTERLOCKS



# SYSTEM WIRING DIAGRAMS

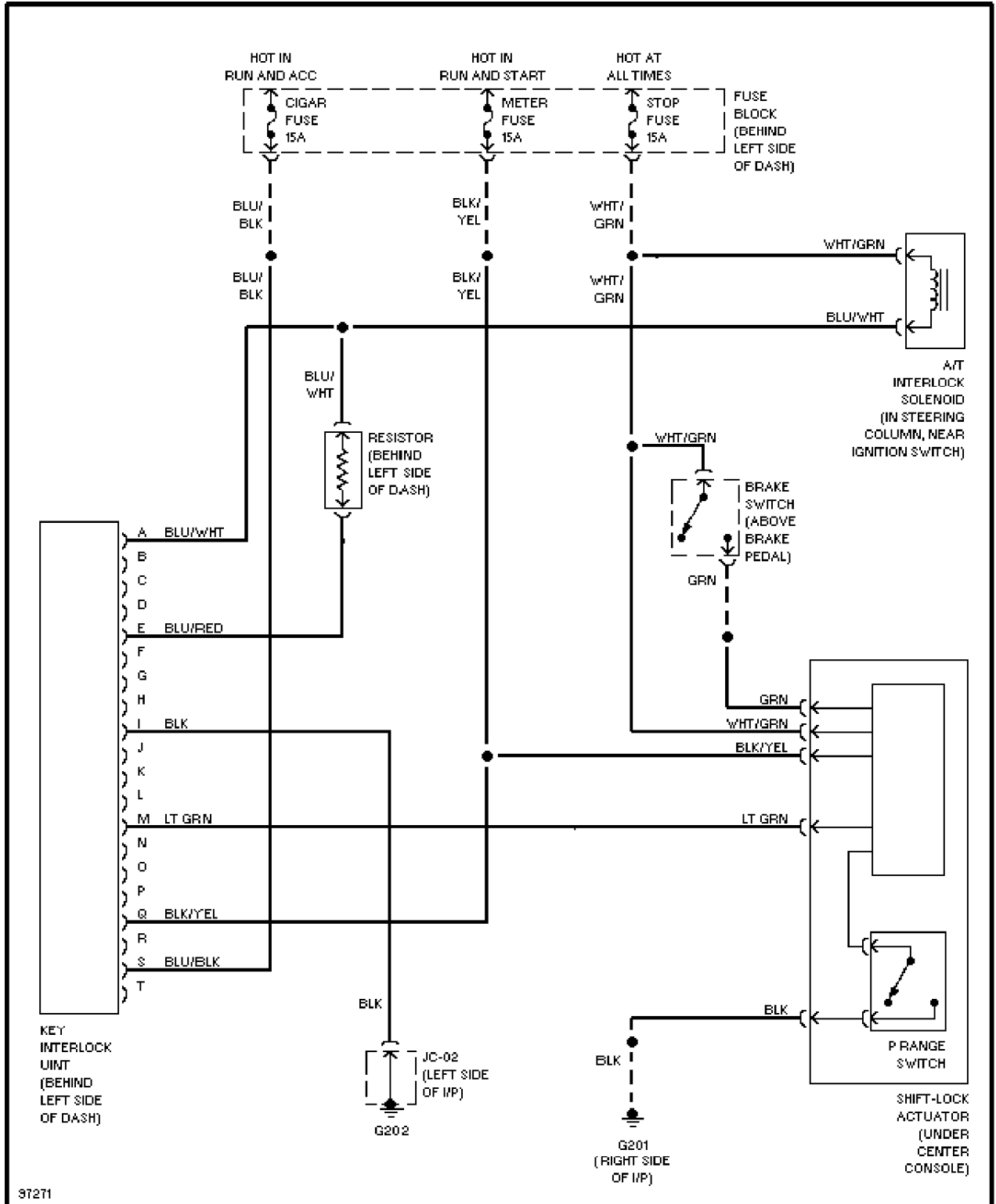
Article Text (p. 25)

1997 Mazda Miata

For Yorba Linda Miata

Copyright © 1998 Mitchell Repair Information Company, LLC

Saturday, May 10, 2003 11:55AM



97271

Shift Interlock Circuit

# SYSTEM WIRING DIAGRAMS

Article Text (p. 26)

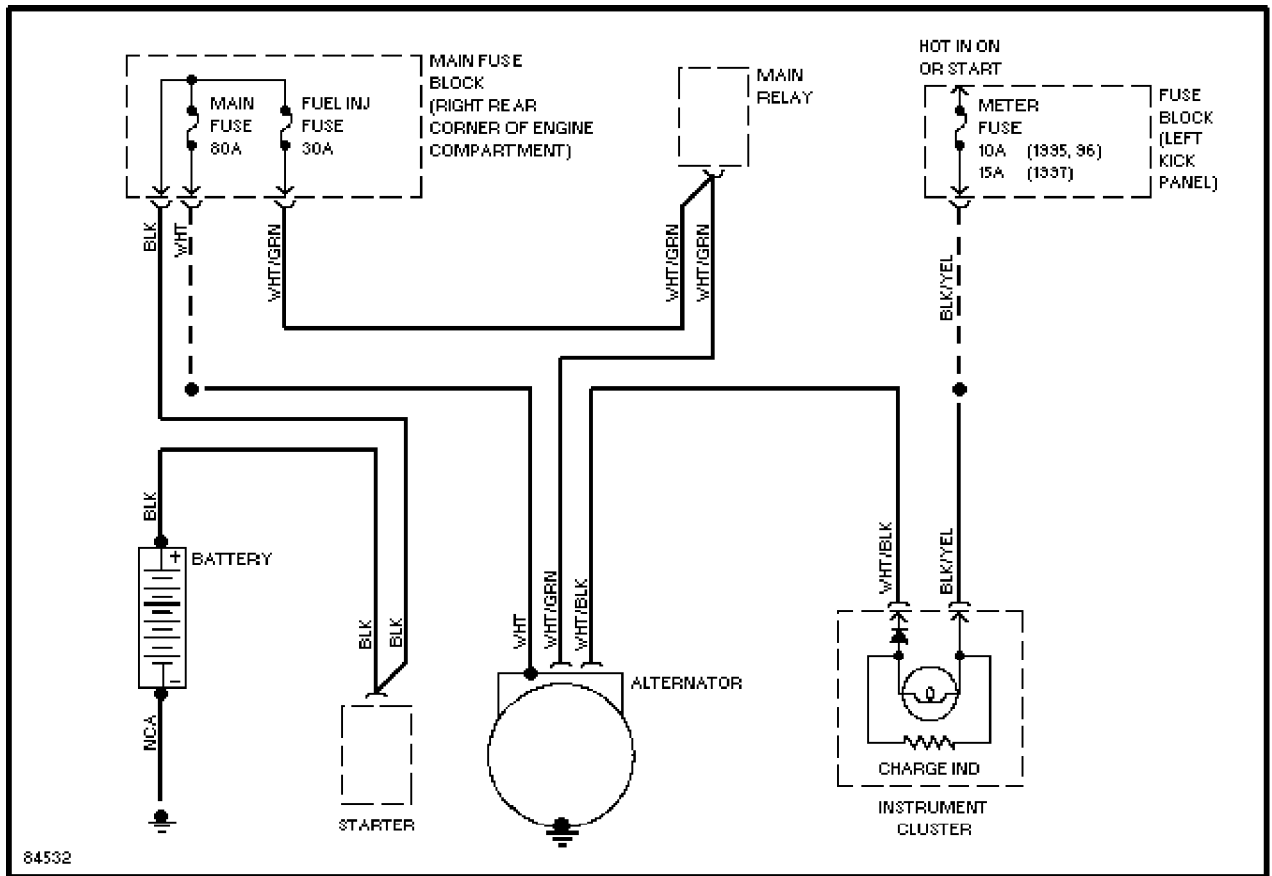
1997 Mazda Miata

For Yorba Linda Miata

Copyright © 1998 Mitchell Repair Information Company, LLC

Saturday, May 10, 2003 11:55AM

## STARTING/CHARGING



Charging Circuit

# SYSTEM WIRING DIAGRAMS

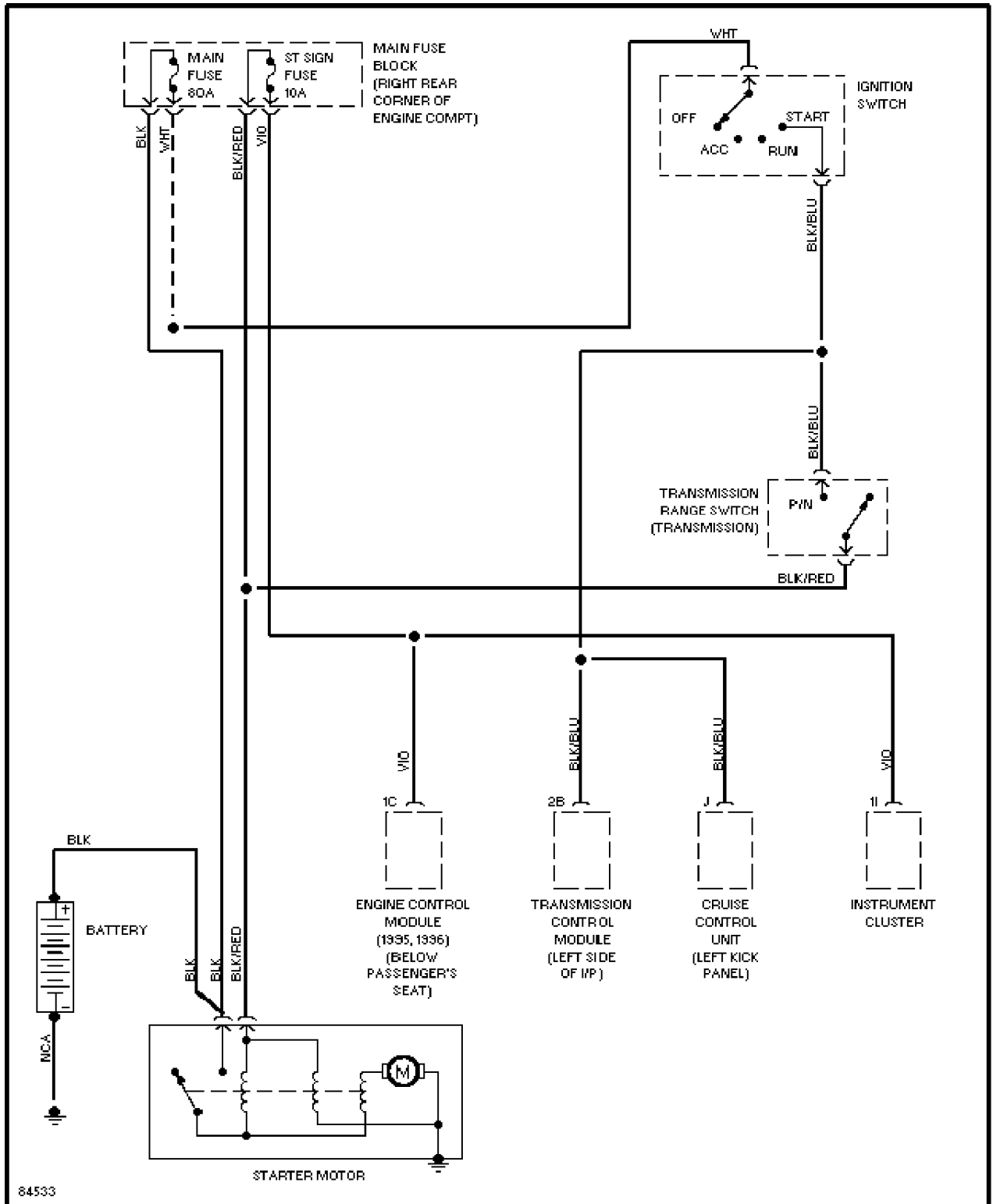
Article Text (p. 27)

1997 Mazda Miata

For Yorba Linda Miata

Copyright © 1998 Mitchell Repair Information Company, LLC

Saturday, May 10, 2003 11:55AM



Starting Circuit, A/T

# SYSTEM WIRING DIAGRAMS

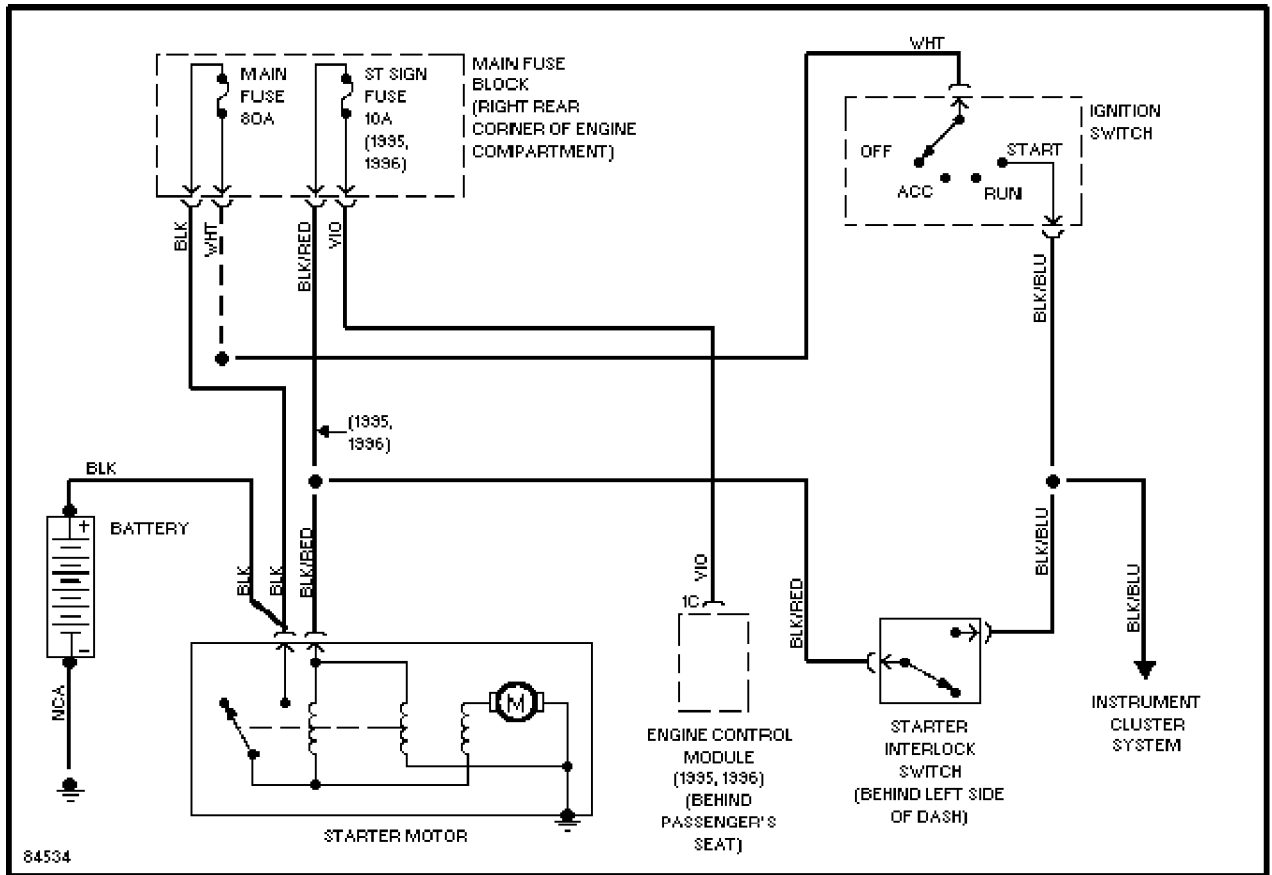
Article Text (p. 28)

1997 Mazda Miata

For Yorba Linda Miata

Copyright © 1998 Mitchell Repair Information Company, LLC

Saturday, May 10, 2003 11:55AM



Starting Circuit, M/T

## SUPPLEMENTAL RESTRAINTS

# SYSTEM WIRING DIAGRAMS

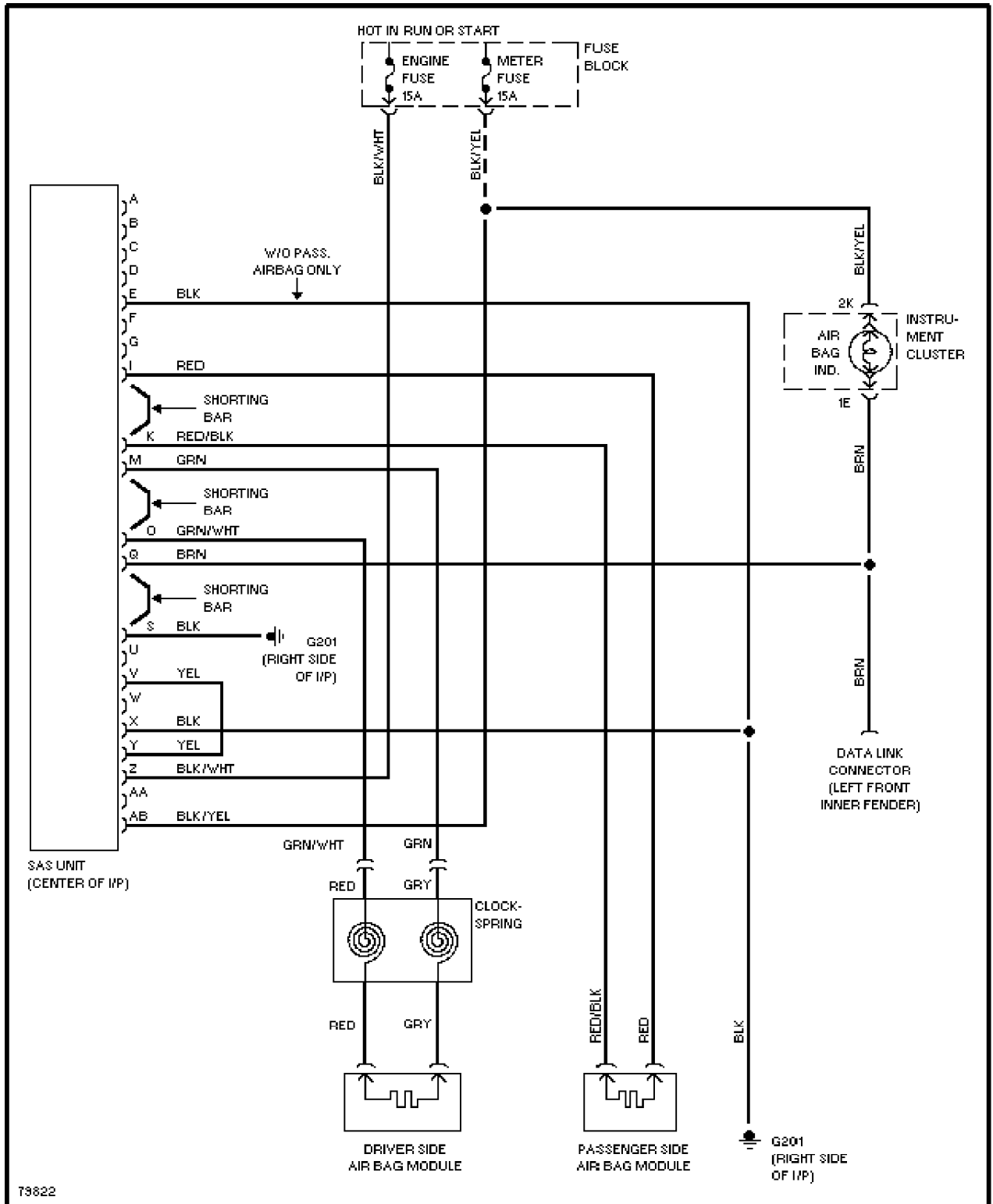
Article Text (p. 29)

1997 Mazda Miata

For Yorba Linda Miata

Copyright © 1998 Mitchell Repair Information Company, LLC

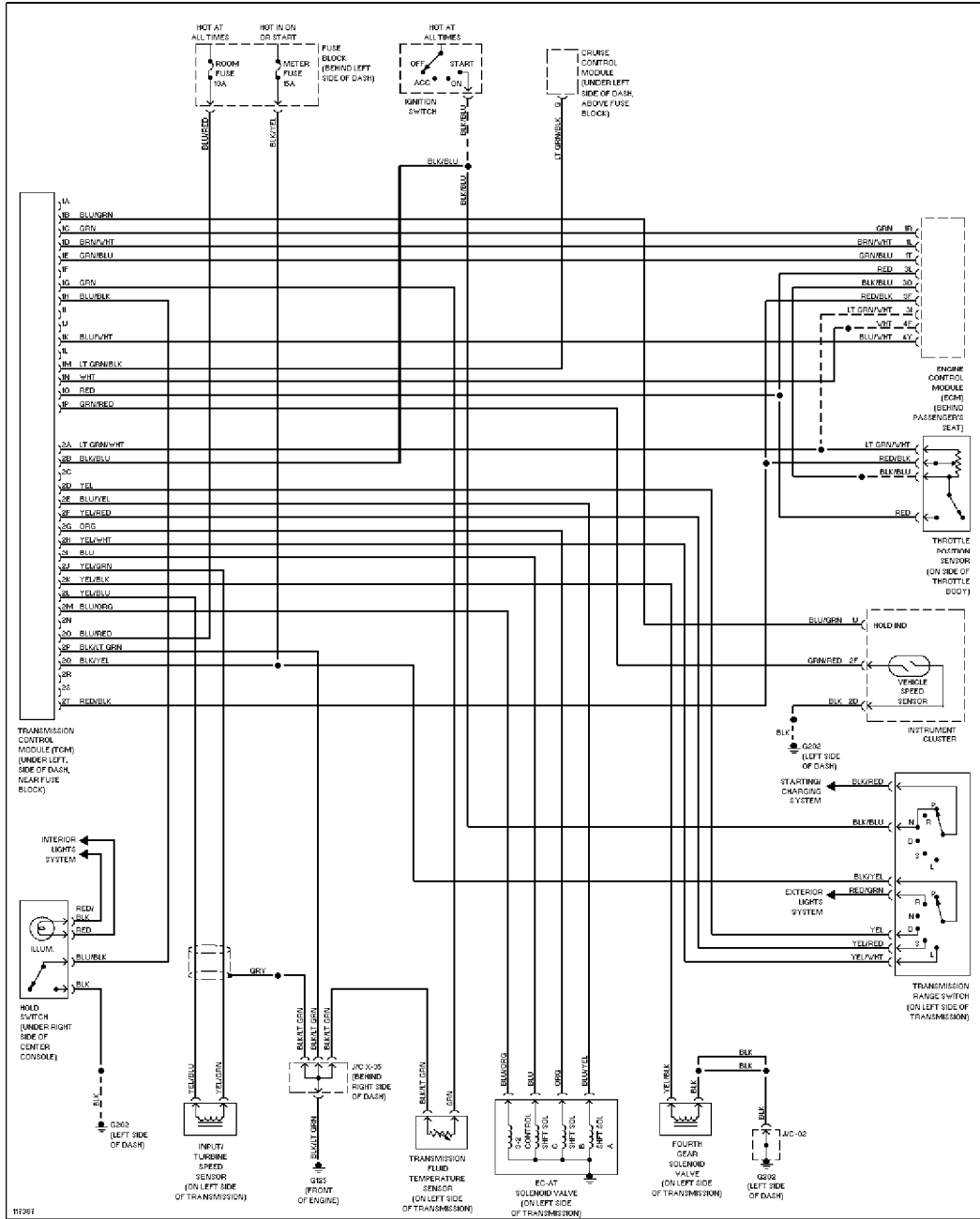
Saturday, May 10, 2003 11:55AM



Supplemental Restraint Circuit

TRANSMISSION

**SYSTEM WIRING DIAGRAMS**  
**Article Text (p. 30)**  
 1997 Mazda Miata  
 For Yorba Linda Miata  
 Copyright © 1998 Mitchell Repair Information Company, LLC  
 Saturday, May 10, 2003 11:55AM



A/T Circuit

**WARNING SYSTEMS**

# SYSTEM WIRING DIAGRAMS

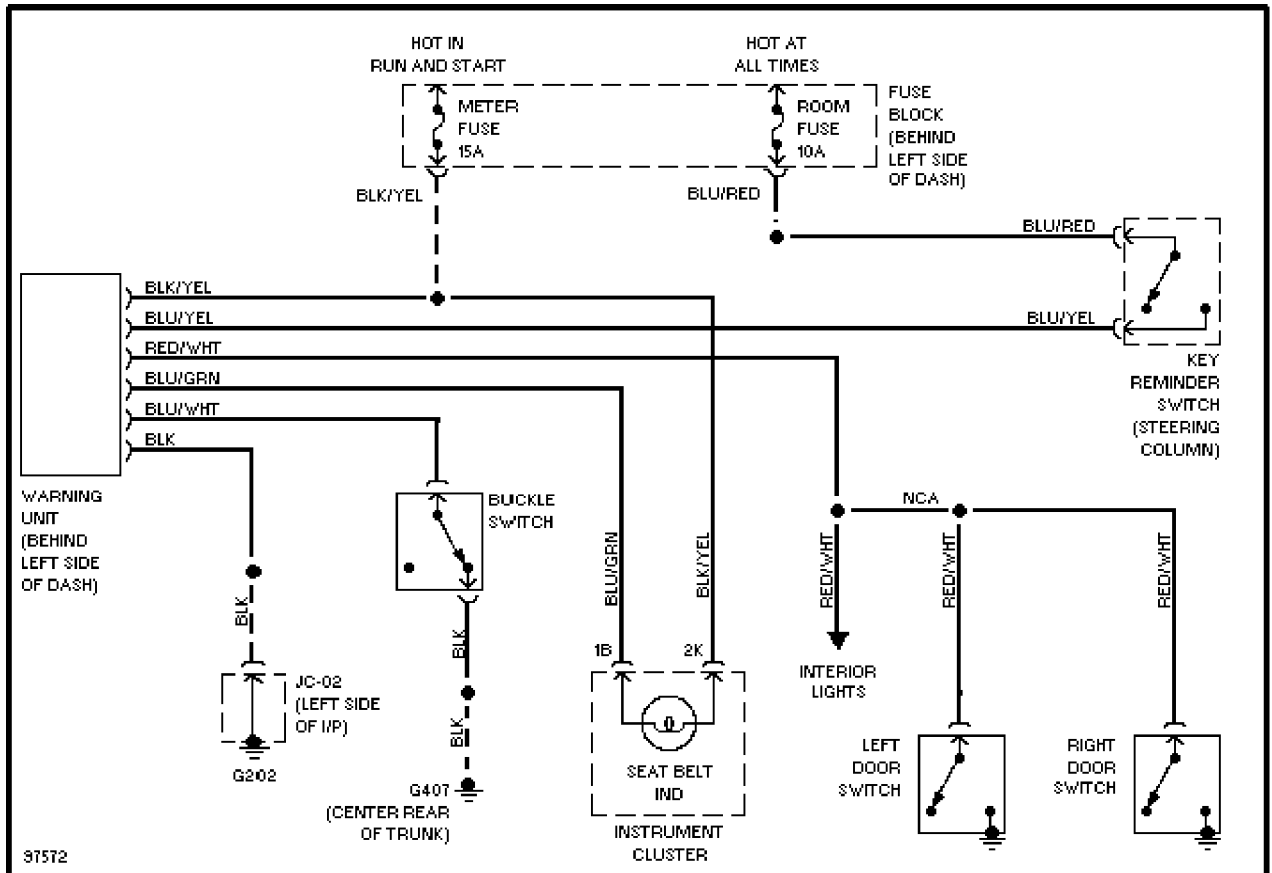
Article Text (p. 31)

1997 Mazda Miata

For Yorba Linda Miata

Copyright © 1998 Mitchell Repair Information Company, LLC

Saturday, May 10, 2003 11:55AM



91572

Warning System Circuits

## WIPER/WASHER

# SYSTEM WIRING DIAGRAMS

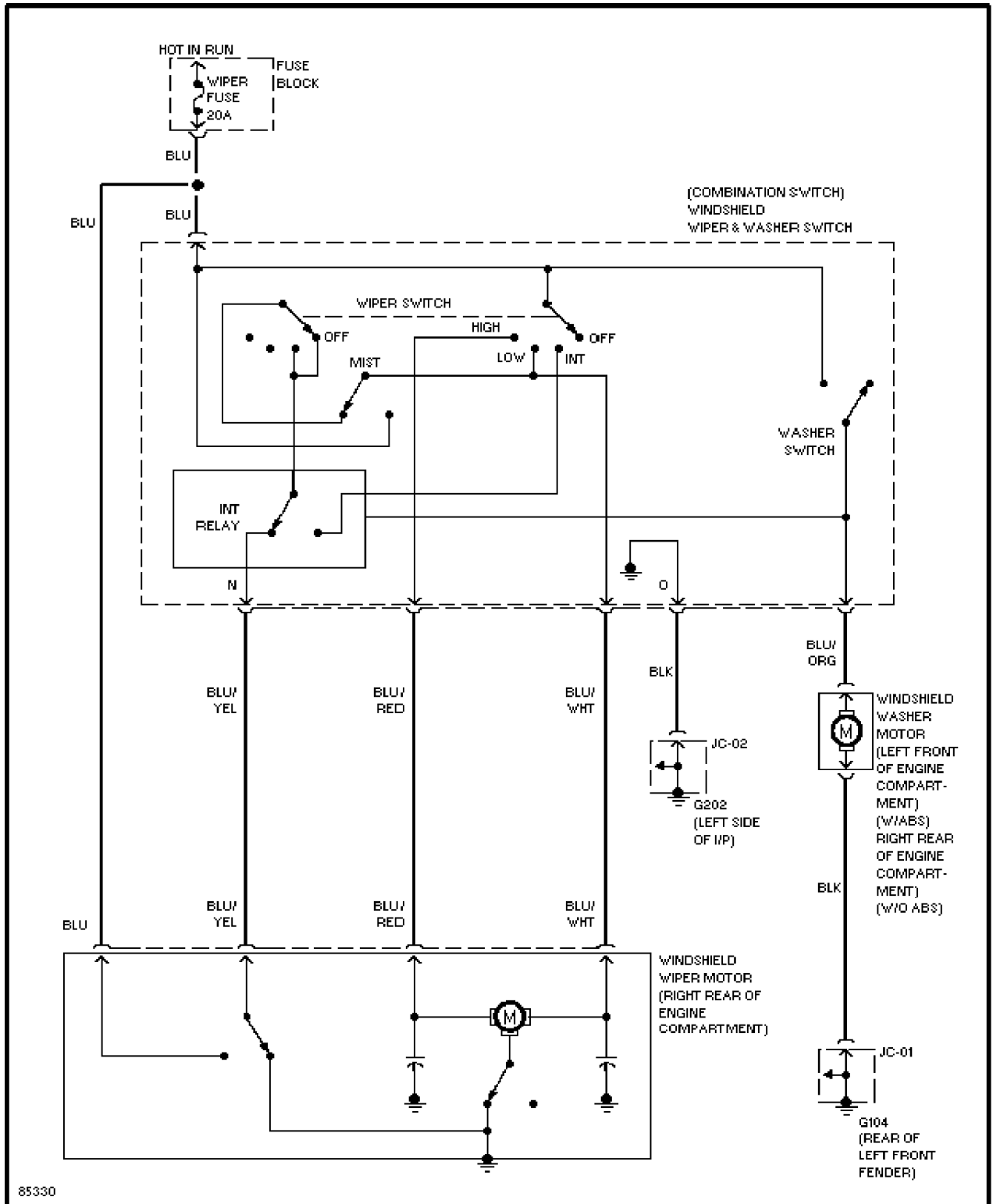
Article Text (p. 32)

1997 Mazda Miata

For Yorba Linda Miata

Copyright © 1998 Mitchell Repair Information Company, LLC

Saturday, May 10, 2003 11:55AM



85330

Wiper/Washer Circuit

END OF ARTICLE