



## Spare parts catalog- Yanmar engines

- (A) = 4LHA-STE(P)
- (B) = 4LHA-STZE(P)
- (C) = 4LHA-DTE(P)
- (D) = 4LHA-DTZE(P)
- (E) = 4LHA-HTE(P)
- (F) = 4LHA-HTZE(P)

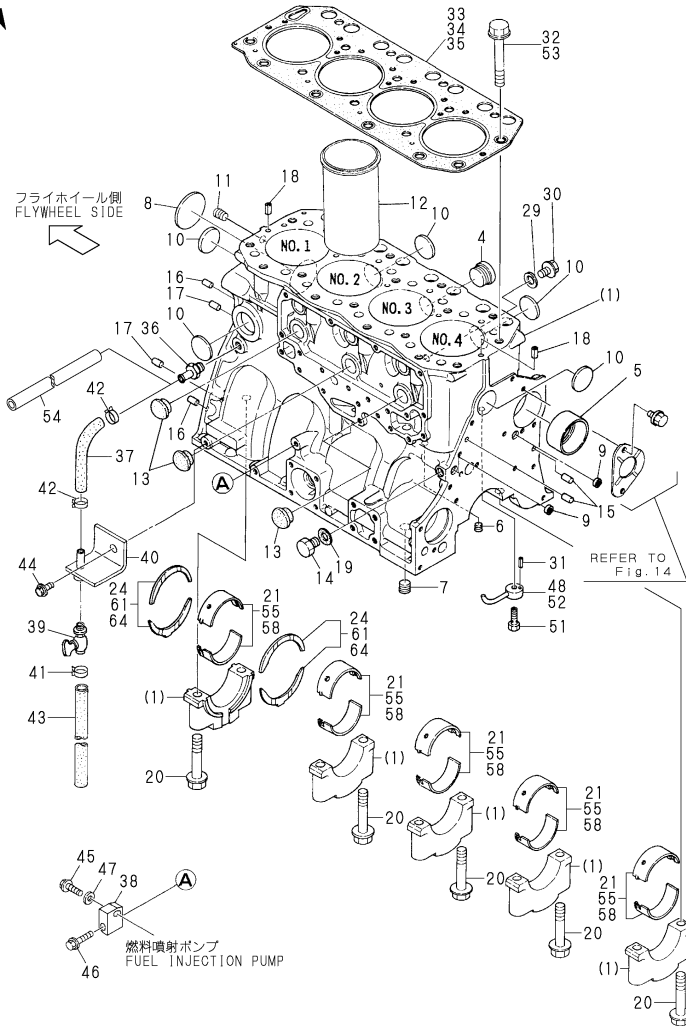
Fig.1.CYLINDER BLOCK

(A)=4LHA-STE(P) (D)=4LHA-DTZE(P)  
 (B)=4LHA-STZE(P) (E)=4LHA-HTE(P)  
 (C)=4LHA-DTE(P) (F)=4LHA-HTZE(P)

Y00R4782

Fig. 1 シリンダブロック  
 CYLINDER BLOCK

見出しNo. 1は、見出しNo. (1) から31を含みます。  
 Inc. (1) ~ 31



Remarks  
 (1)FOR ADJUSTMENT  
 (2)4LHA-STE/DTE(Z)E(P)  
 (3)4LHA-HTE(Z)E(P)

REF.	LEV.	PARTS NO.	DESCRIPTION	QTY						I	R	
				(A)	(B)	(C)	(D)	(E)	(F)			
1	1	719171-01560	BLOCK ASSY, CYLINDER	1	1	1	1	1	1			
4	3	171051-01921	PLUG	1	1	1	1	1	1			
5	3	119000-02410	BUSH, CAMSHAFT	1	1	1	1	1	1			
6	3	23871-010000	PLUG PT1/8,SCREW	1	1							
6-1	3	23876-010000	PLUG PT1/8,SCREW	1	1	1	1	1	1	1	N	
		(A=E/#50582) (B=E/#A0421)										
7	3	23871-030000	PLUG PT3/8,SCREW	1	1							
7-1	3	23876-030000	PLUG PT3/8,SCREW	1	1	1	1	1	1	1	N	
		(A=E/#50582) (B=E/#A0421)										
8	3	27231-600000	PLUG 60	1	1	1	1	1	1	1		
9	3	27241-140000	PLUG 14	3	3	3	3	3	3	3		
10	3	119593-01870	PLUG,CUP	5	5	5	5	5	5	5		
11	3	119000-01880	SETSCREW,OIL GALLERY	1	1	1	1	1	1	1		
12	2	119171-01101	LINER, CYLINDER	4	4	4	4	4	4	4		
13	2	119000-01840	PLUG 25,RUBBER	3	3	3	3	3	3	3		
14	2	135602-34390	RETAINER	1	1	1	1	1	1	1		
15	2	129100-01580	PARALLEL PIN 8X16	2	2	2	2	2	2	2		
16	2	129100-01580	PARALLEL PIN 8X16	2	2	2	2	2	2	2		
17	2	129100-01580	PARALLEL PIN 8X16	2	2	2	2	2	2	2		
18	2	22351-080016	SPRING PIN 8X16	2	2	2	2	2	2	2		
19	2	23414-140000	GASKET 14, ROUND	1	1	1	1	1	1	1		
20	2	119000-02020	BOLT, METAL CAP	10	10	10	10	10	10	10		
21	2	719000-02800	METAL, MAIN	5	5	5	5	5	5	5		
24	2	119000-02930	WASHER, THRUST	2	2	2	2	2	2	2		
29	2	23414-100000	GASKET 10, ROUND	1	1	1	1	1	1	1		
30	2	135400-01790	PLUG	1	1	1	1	1	1	1		
31	2	22351-040008	SPRING PIN 4X 8	4	4	4	4	4	4	4	2	
31A	2	22351-030010	SPRING PIN 3X10							4	4	3
32	1	119174-01200	BOLT, CYLINDER HEAD	18	18	18	18					
33	1	119174-01340	GASKET,CYL.HEADT1.30	1	1	1	1	1	1	1		
34	1	119174-01330	GASKET,CYL.HEAD T1.2	1	1	1	1	1	1	1	1	
35	1	119174-01350	GASKET,CYL.HEAD T1.4	1	1	1	1	1	1	1	1	
36	1	121550-49111	JOINT PT1/4	1	1	1	1	1	1	1	1	
37	1	119173-49160	PIPE	1	1	1	1					
38	1	119181-01990	RETAINER	1	1	1	1					
39	1	128695-44090	PEACOCK	1	1							
39-1	1	129670-49290	COCK R1/8 ASSY	1	1	1	1				N	
		(A=E/#50717) (B=E/#A0491)										
40	1	119173-49170	BRACKET	1	1	1	1					
41	1	124460-77680	RETAINER	1	1	1	1					
42	1	23000-016000	CLAMP 16	2	2	2	2					
43	1	23061-070300	PIPE 7X 300	1	1	1	1					
44	1	26106-080122	BOLT M 8X 12 PLATED	1	1	1	1					
45	1	26106-080352	BOLT M 8X 35 PLATED	1	1	1	1					
46	1	26106-080402	BOLT M 8X 40 PLATED	1	1	1	1					
47	1	106100-55800	WASHER	1	1	1	1					
48	1	119174-39560	NOZZLE CMP,PSTN.COOL	4	4	4	4					
51	1	23857-030000	JOINT BOLT 3	4	4	4	4	4	4	4		
52	1	119187-39650	NOZZLE, PISTON JET							4	4	
53	1	119000-01200	BOLT, CYLINDER HEAD							18	18	
54	1	119171-49160	PIPE							1	1	
55	1	719000-02870	MAIN BEARING 0.25U.S							5	5	
58	1	119172-02210	MAIN METAL US=0.50							5	5	
61	1	719000-02940	THRUST BEARING 0.25							2	2	

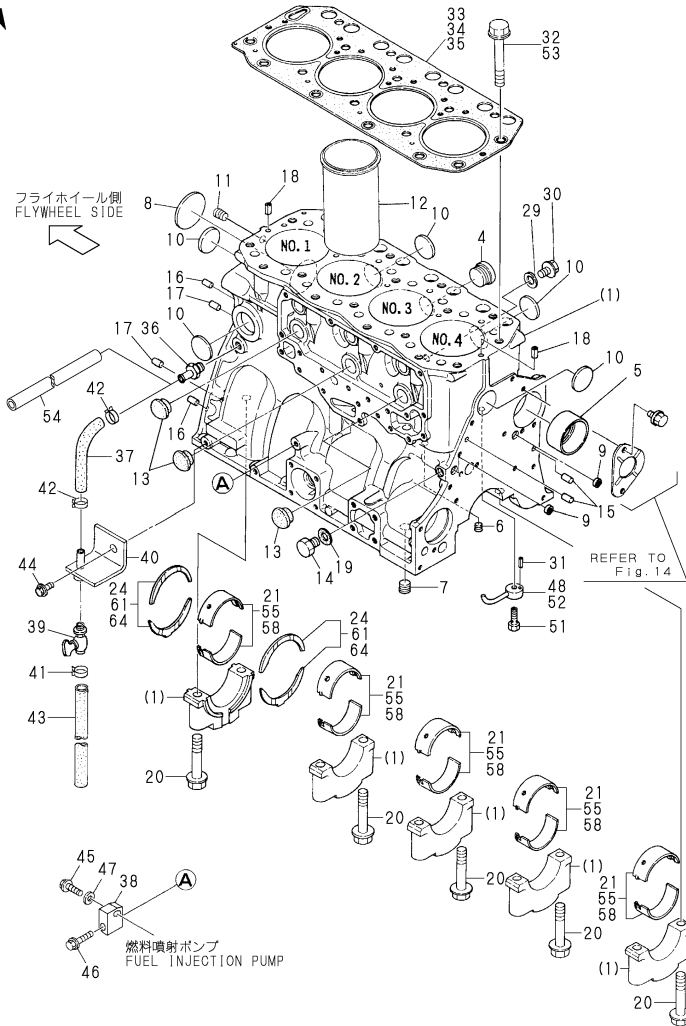
++ CONTINUE ++

Fig.1.CYLINDER BLOCK

Y00R4782

Fig. 1 シリンダブロック  
CYLINDER BLOCK

見出しNo. 1は、見出しNo. (1) から31を含みます。  
Inc. (1) ~ 31



Remarks  
 (1)FOR ADJUSTMENT  
 (2)4LHA-STE/DTE(Z)E(P)  
 (3)4LHA-HTE(Z)E(P)

(A)=4LHA-STE(P) (D)=4LHA-DTZE(P)  
 (B)=4LHA-STZE(P) (E)=4LHA-HTE(P)  
 (C)=4LHA-DTE(P) (F)=4LHA-HTZE(P)

REF.	LEV.	PARTS NO.	DESCRIPTION	QTY						I	R	
				(A)	(B)	(C)	(D)	(E)	(F)			
64	1	119172-02310	THRUST METAL 0.50					2		2		

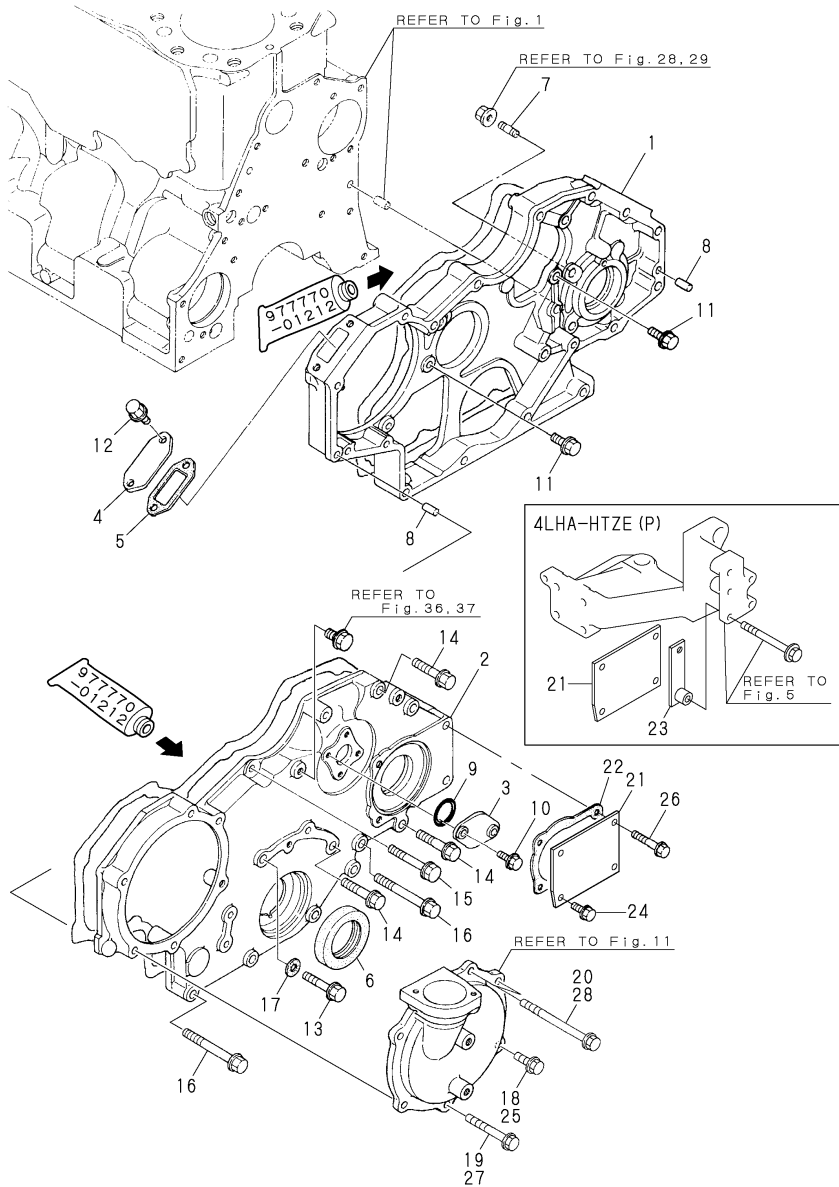
Fig.2.GEAR HOUSING

(A)=4LHA-STE(P)  
 (B)=4LHA-STZE(P)  
 (C)=4LHA-DTE(P)

(D)=4LHA-DTZE(P)  
 (E)=4LHA-HTE(P)  
 (F)=4LHA-HTZE(P)

Y00R4782

Fig.2 ギヤケース  
 GEAR HOUSING

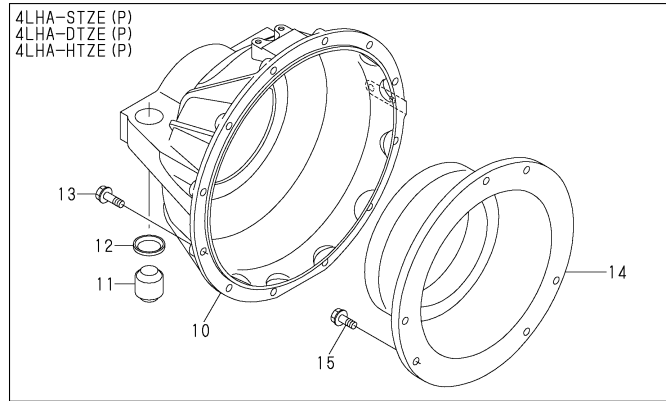


REF.	LEV.	PARTS NO.	DESCRIPTION	QTY						I	R
				(A)	(B)	(C)	(D)	(E)	(F)		
1	1	119000-01500	HOUSING, GEAR	1	1	1	1	1	1		
2	1	119000-01520	COVER, GEAR HOUSING	1	1	1	1	1	1		
3	1	121023-01550	COVER, BLIND	1	1	1	1	1	1		
4	1	119000-01740	COVER	1	1	1	1	1	1		
5	1	119000-01771	GASKET, (NON ASB.)	1	1	1	1	1	1		
6	1	121850-01800	SEAL, OIL	1	1	1	1	1	1		
7	1	121850-01920	STUD M 8X 22	2	2	2	2	2	2		
8	1	129100-01580	PARALLEL PIN 8X16	2	2	2	2	2	2		
9	1	24341-000240	O-RING 1A S-24.0	1	1	1	1	1	1		
10	1	26106-060182	BOLT M 6X 18 PLATED	2	2	2	2	2	2		
11	1	26106-080202	BOLT M 8X 20 PLATED	5	5	5	5	5	5		
12	1	26106-080202	BOLT M 8X 20 PLATED	2	2	2	2	2	2		
13	1	26106-080402	BOLT M 8X 40 PLATED	1	1	1	1	1	1		
14	1	26106-080452	BOLT M 8X 45 PLATED	5	5	5	5	5	5		
15	1	26106-080552	BOLT M 8X 55 PLATED	1	1	1	1	1	1		
16	1	26106-080752	BOLT M 8X 75 PLATED	4	4	4	4	4	4		
17	1	22190-080003	SEAL WASER 8	1	1	1	1	1	1		
18	1	26106-080352	BOLT M 8X 35 PLATED	1	1	1	1	1	1		
19	1	26106-080652	BOLT M 8X 65 PLATED	3	3	3	3				
20	1	26106-081052	BOLT M 8X105 PLATED	2	2	2	2				
21	1	124610-01851	COVER, BLIND							1	1
22	1	124610-01862	PACKING, COVER							1	1
23	1	119172-26800	SPACER,PS-PUMP								1
24	1	26106-080202	BOLT M 8X 20 PLATED							2	2
25	1	26106-080252	BOLT M 8X 25 PLATED							1	1
26	1	26106-080502	BOLT M 8X 50 PLATED							2	
27	1	26106-080552	BOLT M 8X 55 PLATED							3	3
28	1	26106-080952	BOLT M 8X 95 PLATED							2	2

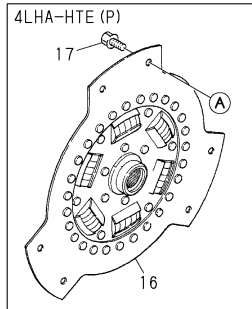
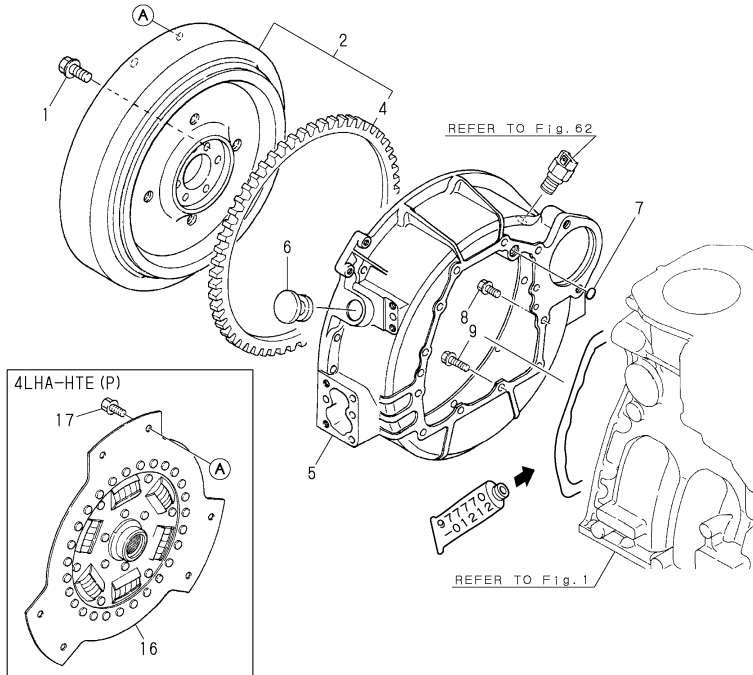
Fig.3.FLYWHEEL HOUSING

Y00R4782

Fig. 3 フライホイールハウジング  
FLYWHEEL HOUSING



4LHA-STZE (P)  
4LHA-DTZE (P)  
4LHA-HTZE (P)



4LHA-HTE (P)

Remarks  
(1)INTERCHANGEABLE BY SIMULTANEOUS  
REPLACEMENT WITH REF.NO.5-2 & 7-1.

(A)=4LHA-STE(P) (D)=4LHA-DTZE(P)  
(B)=4LHA-STZE(P) (E)=4LHA-HTE(P)  
(C)=4LHA-DTE(P) (F)=4LHA-HTZE(P)

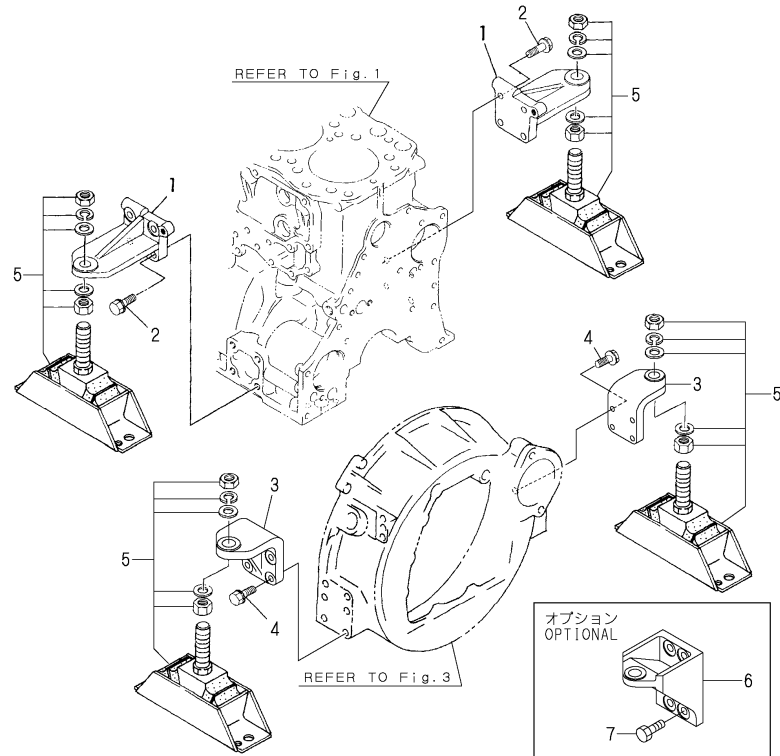
REF.	LEV.	PARTS NO.	DESCRIPTION	QTY						I	R
				(A)	(B)	(C)	(D)	(E)	(F)		
1	1	121850-21130	BOLT, FLYWHEEL	6	6	6	6	6	6		
2	1	119171-21590	FLYWHEEL W/GEAR	1	1						
2-1	1	119171-21591	FLYWHEEL ASSY	1	1	1	1	1	1	1	R
		(A=E/#50919) (B=E/#A5721)									
4	2	124550-21600	RING GEAR	1	1	1	1	1	1	1	
5	1	119171-01600	HOUSING, FLYWHEEL	1	1						
I 5-1	1	119175-01500	HOUSING, FLYWHEEL	1	1	1	1	1	1	1	N
		(A=E/#51115) (B=E/#A0634)									
I 5-2	1	119175-01501	HOUSING, FLYWHEEL	1	1	1	1	1	1	1	S 1
		(A=*2008.05) (B=*2008.05) (C=*2008.05) (D=*2008.05) (E=*2008.05) (F=*2008.05)									
6	1	119620-01750	CAP, FLYWHEEL COVER	1	1	1	1	1	1	1	
7	1	24311-000140	O-RING 1A P-14.0	1	1	1	1	1	1	1	
I 7-1	1	24311-000160	O-RING 1A P-16.0	1	1	1	1	1	1	1	S 1
		(A=*2008.05) (B=*2008.05) (C=*2008.05) (D=*2008.05) (E=*2008.05) (F=*2008.05)									
8	1	26106-100252	BOLT M10X 25 PLATED	8	8	8	8	8	8	8	
9	1	26106-100302	BOLT M10X 30 PLATED	4	4	4	4	4	4	4	
10	1	119175-01650	MOUNTING FLANGE		1			1		1	
11	1	119778-08300	MOUNTING, FLEXIIBLE		2			2		2	
12	1	119778-08350	SPACER		2			2		2	
13	1	26106-100302	BOLT M10X 30 PLATED		12			12		12	
14	1	119175-21500	SPACER,FLYWHEEL		1						
I 14-1	1	119175-21510	INTERMEDIATE		1			1		1	R
		(B=E/#A0836)									
15	1	26106-100252	BOLT M10X 25 PLATED		6			6		6	
16	1	177074-03951	DISK, (NON-ASB.)							1	
17	1	26106-100202	BOLT M10X 20 PLATED							6	

Fig.4.MOUNTING FOOT(4LHA-ST/DT(Z)E(P))

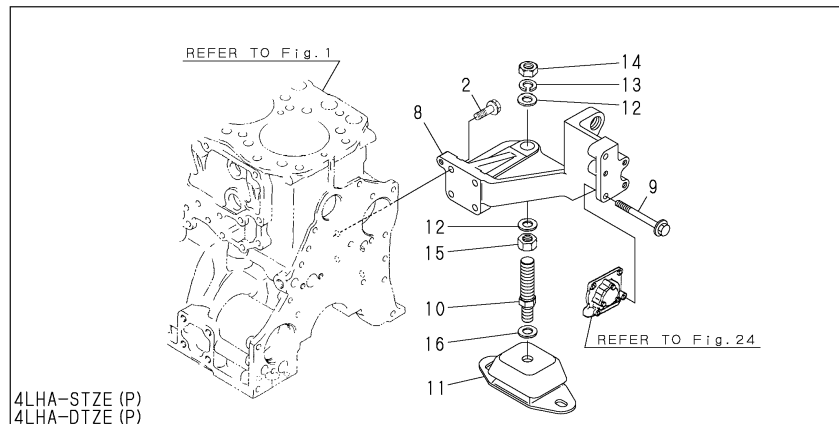
(A)=4LHA-STE(P)  
 (B)=4LHA-STZE(P)  
 (C)=4LHA-DTE(P)  
 (D)=4LHA-DTZE(P)  
 (E)=4LHA-HTE(P)  
 (F)=4LHA-HTZE(P)

Y00R4782

Fig. 4 マウンティングフット (4LHA-ST/DT (Z) E (P))  
 MOUNTING FOOT (4LHA-ST/DT (Z) E (P))



REF.	LEV.	PARTS NO.	DESCRIPTION	QTY						I	R
				(A)	(B)	(C)	(D)	(E)	(F)		
1	1	119173-08100	BRACKET, ENGINE	2	1	2	1				
2	1	26106-100302	BOLT M10X 30 PLATED	8	8	8	8				
3	1	119175-08120	BRACKET, ENGINE	2	2	2	2				
4	1	26106-100302	BOLT M10X 30 PLATED	8	8	8	8				
5	1	119173-08330	ABSORBER	4							
5A	1	119173-08440	ABSORBER			4					
6	1	119175-08110	BRACKET,ENGINE	2							
I	6-1	119175-08111	BRACKET,ENGINE,R	2		2					R
(A=E/#51410)											
7	1	26116-120352	BOLT M12X 35 PLATED	8		8					
8	1	119175-08160	BRACKET,ENGINE		1		1				
9	1	26106-080802	BOLT M 8X 80 PLATED		2		2				
10	1	119175-08300	BOLT,FLEXIBLE MOUNT		2						
10-1	1	119175-08301	BOLT,FLEXIBLE MOUNT		2		2				N
(B=E/#A0463)											
11	1	119175-08320	MOUNT,RUBBER		2		2				
12	1	22117-200000	WASHER 20		4		4				
13	1	22217-200000	SPRING WASHER 20		2		2				
14	1	26736-200002	NUT M20		2		2				
15	1	26776-200002	LOCK NUT 20		2		2				
16	1	119175-08330	WASHER		2		2				W
(B=E/#A0463)											



4LHA-STZE(P)  
 4LHA-DTZE(P)

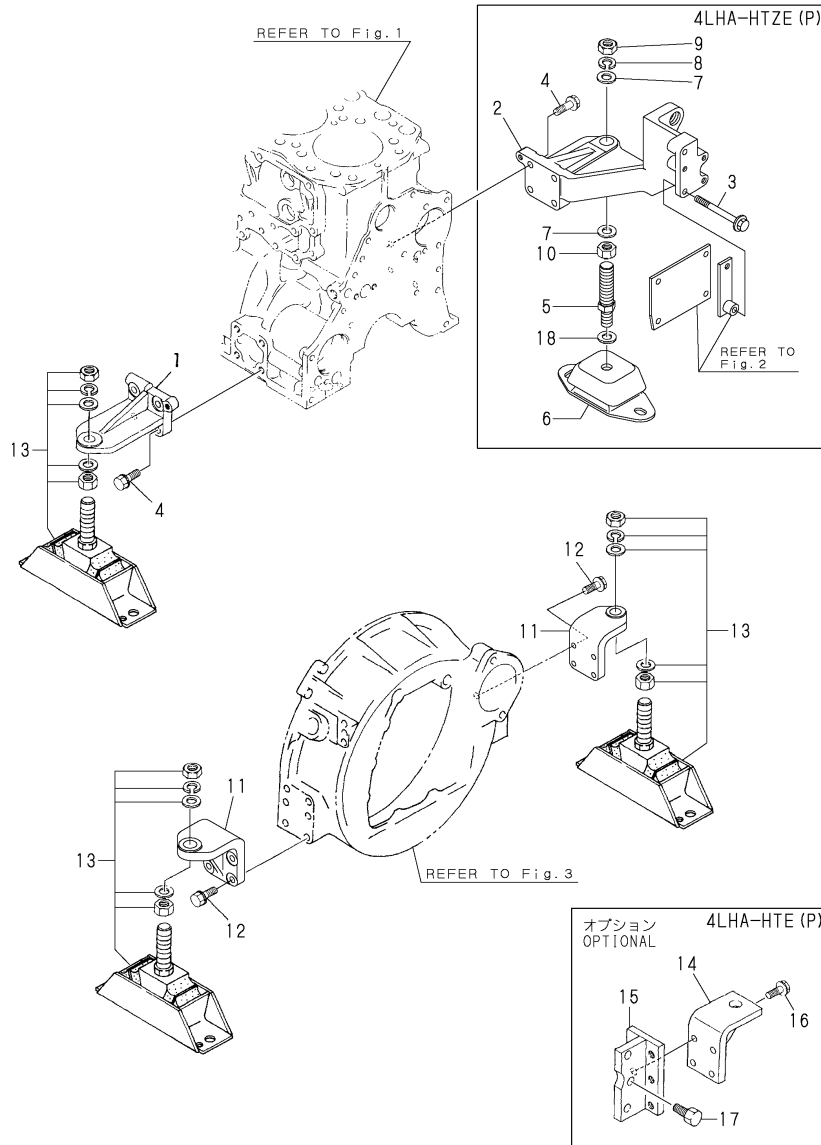
Fig.5.MOUNTING FOOT(4LHA-HT(Z)E(P))

Y00R4782 5.MOUNTING FOOT(4LHA-HT(Z)E(P))

(A)=4LHA-STE(P) (D)=4LHA-DTZE(P)  
 (B)=4LHA-STZE(P) (E)=4LHA-HTE(P)  
 (C)=4LHA-DTE(P) (F)=4LHA-HTZE(P)

Y00R4782

Fig.5 マウンティングフット (4LHA-HT (Z) E (P))  
 MOUNTING FOOT (4LHA-HT (Z) E (P))



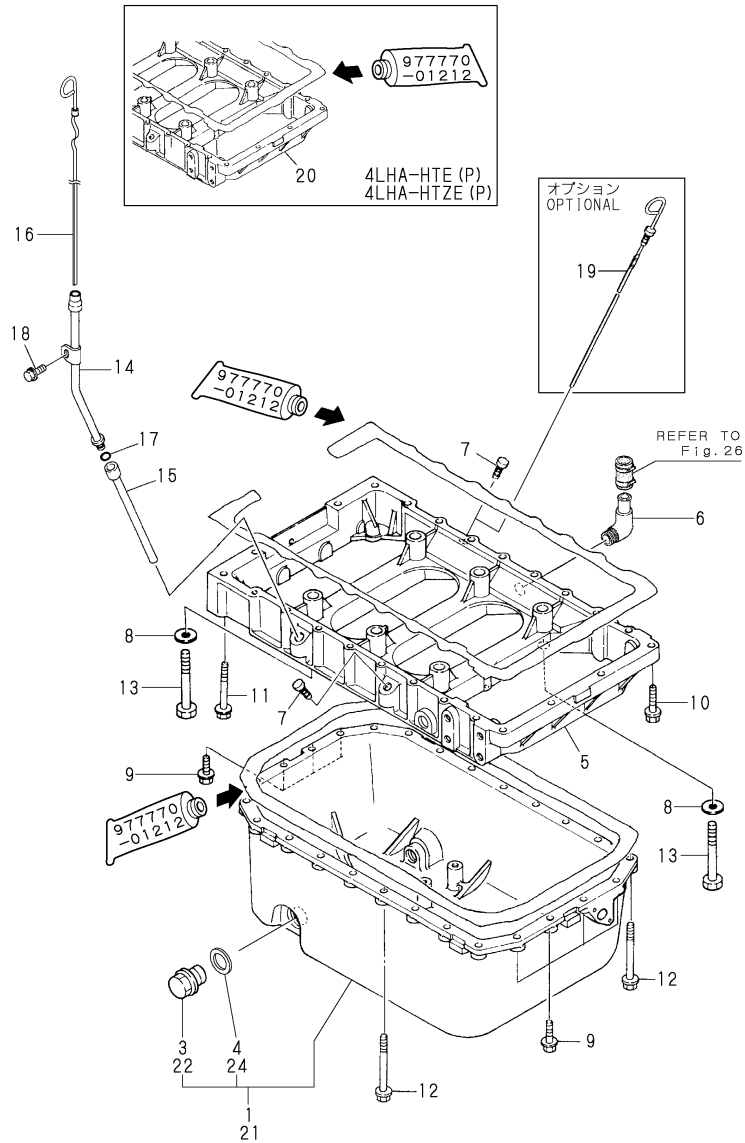
REF.	LEV.	PARTS NO.	DESCRIPTION	QTY						I	R	
				(A)	(B)	(C)	(D)	(E)	(F)			
1	1	119173-08100	BRACKET, ENGINE					2			1	
2	1	119175-08160	BRACKET,ENGINE								1	
3	1	26106-080802	BOLT M 8X 80 PLATED								2	
4	1	26106-100302	BOLT M10X 30 PLATED					8			8	
5	1	119175-08301	BOLT,FLEXIBLE MOUNT								2	
6	1	119175-08320	MOUNT,RUBBER								2	
7	1	22117-200000	WASHER 20								4	
8	1	22217-200000	SPRING WASHER 20								2	
9	1	26736-200002	NUT M20								2	
10	1	26776-200002	LOCK NUT 20								2	
11	1	119175-08120	BRACKET, ENGINE					2			2	
12	1	26106-100302	BOLT M10X 30 PLATED					8			8	
13	1	119173-08440	ABSORBER								4	
14	1	119171-08111	BRACKET, ENGINE								2	
15	1	119171-08131	BRACKET, ENGINE								2	
16	1	26106-100252	BOLT M10X 25 PLATED								8	
17	1	26116-120302	BOLT M12X 30 PLATED								6	
18	1	119175-08330	WASHER									2

Fig.6.LUB.OIL SUMP

(A)=4LHA-STE(P) (D)=4LHA-DTZE(P)  
 (B)=4LHA-STZE(P) (E)=4LHA-HTE(P)  
 (C)=4LHA-DTE(P) (F)=4LHA-HTZE(P)

Y00R4782

Fig. 6 オイルパン  
 LUB. OIL SUMP



REF.	LEV.	PARTS NO.	DESCRIPTION	QTY						I	R	
				(A)	(B)	(C)	(D)	(E)	(F)			
1	1	719187-01540	SUMP ASSY, LUB OIL	1	1	1	1					
3	2	119640-01640	DRAIN PLUG M22	1	1	1	1					
4	2	22190-220002	SEAL WASHER 22S	1	1	1	1					
5	1	119184-01730	INTERMEDIATE, OILPAN	1	1	1	1					
6	1	124070-13300	ELBOW (PT3/8)	1	1	1	1	1	1			
7	1	124976-34850	CAP	2	2	2	2	2	2			
8	1	22117-120000	WASHER 12	6	6	6	6	6	6			
9	1	26106-080252	BOLT M 8X 25 PLATED	8	8	8	8	8	8			
10	1	26106-080352	BOLT M 8X 35 PLATED	4	4	4	4	4	4			
11	1	26106-080702	BOLT M 8X 70 PLATED	2	2	2	2	2	2			
12	1	26106-080802	BOLT M 8X 80 PLATED	18	18	18	18	18	18			
13	1	26116-120852	BOLT M12X 85 PLATED	6	6	6	6	6	6			
14	1	119175-34811	SUPPORT, DIPSTICK	1	1	1	1	1	1			
15	1	119171-34820	PIPE, DIPSTICK	1	1	1	1	1	1			
16	1	119175-34850	DIPSTICK	1	1							
I	16-1	119175-34851	DIPSTICK	1	1	1	1	1	1	1	1	N
		(A=E/#51645) (B=E/#A0836)										
17	1	24341-000100	O-RING 1A S-10.0	1	1	1	1	1	1			
18	1	26106-080162	BOLT M 8X 16 PLATED	1	1	1	1	1	1			
19	1	119171-34850	DIPSTICK, LUB. OIL	1	1	1	1	1	1			
20	1	119100-01730	INTERMEDIATE, SUMP							1	1	
21	1	119100-01770	SUMP ASSY, LUB.OIL								1	1
22	2	119640-01640	DRAIN PLUG M22								1	1
24	2	22190-220002	SEAL WASHER 22S								1	1



Fig.7.OIL SEAL HOUSING

(A)=4LHA-STE(P) (D)=4LHA-DTZE(P)  
 (B)=4LHA-STZE(P) (E)=4LHA-HTE(P)  
 (C)=4LHA-DTE(P) (F)=4LHA-HTZE(P)

REF.	LEV.	PARTS NO.	DESCRIPTION	QTY						I	R
				(A)	(B)	(C)	(D)	(E)	(F)		
1	1	119100-01640	CASE ASSY, OIL SEAL	1	1	1	1	1	1		
2	2	119000-01650	CASE, OIL SEAL	1	1	1	1	1	1		
3	2	124411-01780	SEAL HTC95.115,12	1	1	1	1	1	1		
4	1	26106-080252	BOLT M 8X 25 PLATED	8	8	8	8	8	8		

Y00R4782

Fig. 7 オイルシールケース  
 OIL SEAL HOUSING

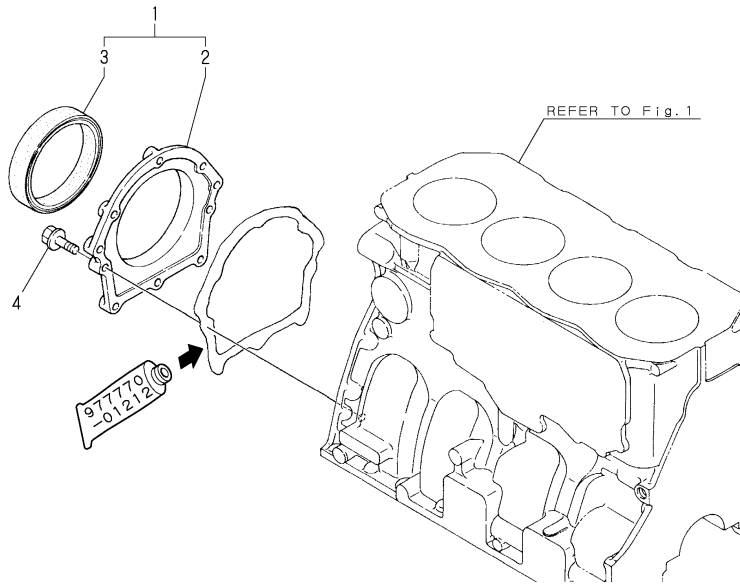
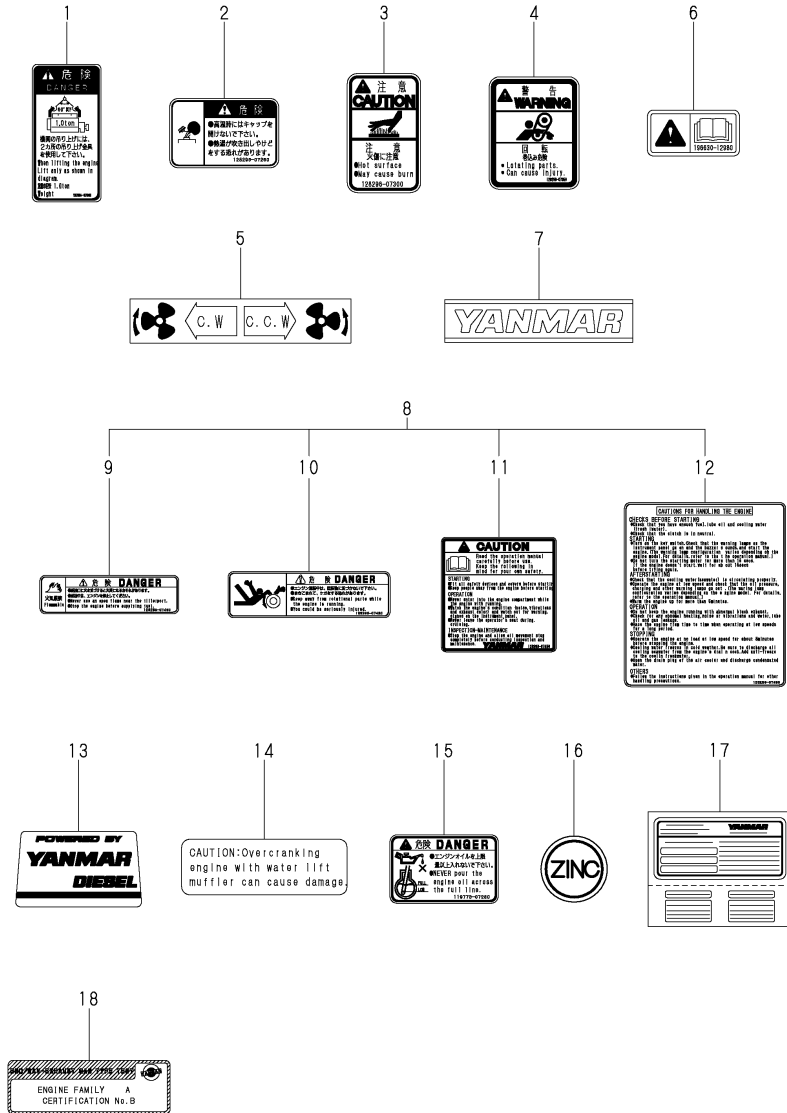


Fig.8.LABEL

(A)=4LHA-STE(P)  
 (B)=4LHA-STZE(P)  
 (C)=4LHA-DTE(P)  
 (D)=4LHA-DTZE(P)  
 (E)=4LHA-HTE(P)  
 (F)=4LHA-HTZE(P)

Y00R4782

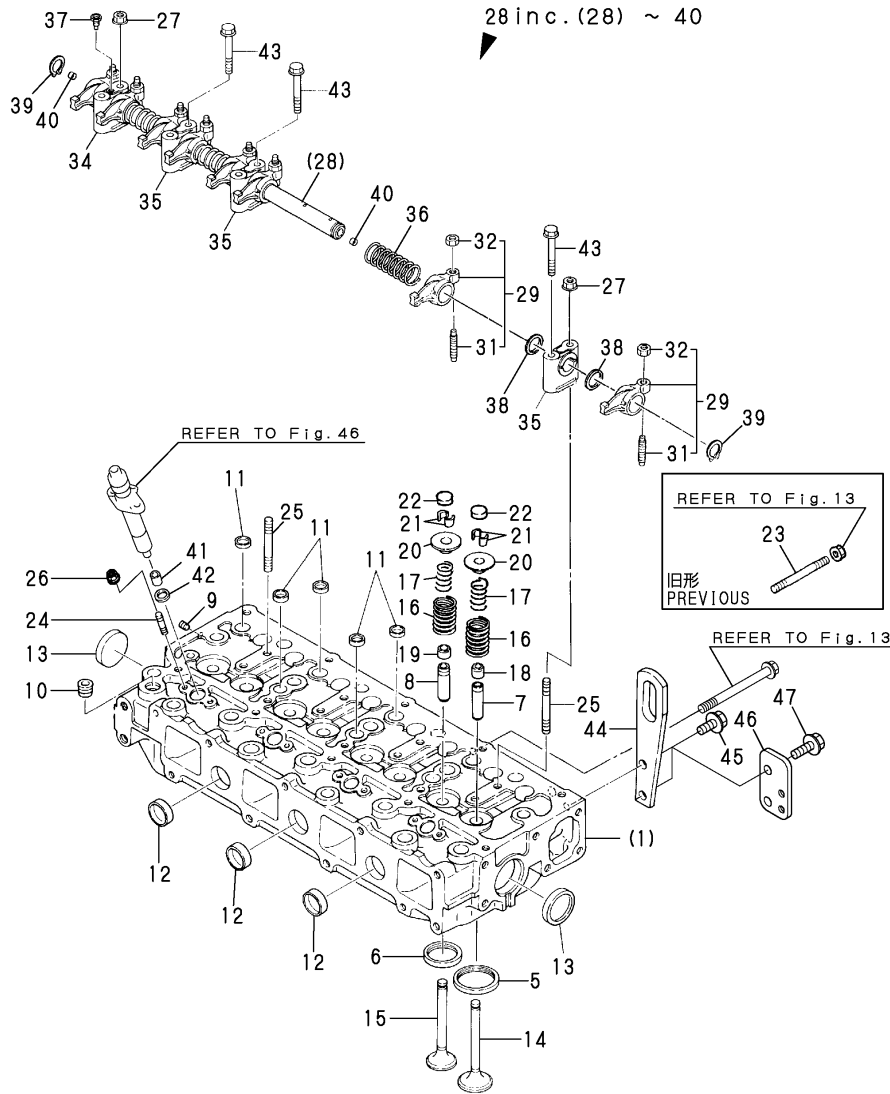
Fig. 8 銘板 LABEL



REF.	LEV.	PARTS NO.	DESCRIPTION	QTY						I	R
				(A)	(B)	(C)	(D)	(E)	(F)		
1	1	120324-07240	LABEL, LIFTER	1	1	1	1	1	1		
2	1	128296-07260	LABEL,DANGER	1	1	1	1	1	1		
3	1	128296-07300	LABEL,DANGER	1	1	1	1	1	1		
4	1	128296-07350	LABEL	1	1	1	1	1	1		
5	1	177073-02431	LABEL						1		
6	1	196630-12980	LABEL	1	1	1	1	1	1		
7	1	194170-65891	LABEL, SEAT	1	1	1	1	1	1		
8	1	128296-07190	LABEL,LOOSE PARTS	1	1	1	1	1	1		
9	2	128296-07400	LABEL,DANGER	2	2	2	2	2	2		
10	2	128296-07420	LABEL,DANGER	1	1	1	1	1	1		
11	2	128296-07450	LABEL,DANGER	1	1	1	1	1	1		
12	2	128296-07460	LABEL,DANGER	1	1	1	1	1	1		
13	1	119778-07500	LABEL, YANMER		1			1			
14	1	128171-07150	LABEL	1	1	1	1	1	1		
15	1	119773-07280	LABEL,DANGER	1	1	1	1	1	1		
16	1	119574-07400	LABEL	5	5	5	5	5	5		
17	1	119175-07400	LABEL(REGISUTORATION		1						
17-1	1	119175-07450	LABEL(REGISUTORATION		1						S
(B=E/#A0421)											
17A	1	119173-07450	LABEL(REGISTRATION					1			
17B	1	119172-07450	LABEL(REGISTRATION								1
17C	1	119175-07600	LABEL(REGISTRATION		1						
17D	1	119173-07600	LABEL(REGISTRATION					1			
17E	1	119172-07600	LABEL(REGISTRATION								1
18	1	119175-07520	LABEL, BSO	1	1						W
(A=E/#50372) (B=E/#A0401)											
18A	1	119173-07520	LABEL, BSO			1	1				
18B	1	119172-07520	LABEL, BSO							1	1

Fig.9.CYLINDER HEAD(4LHA-ST/DT(Z)E(P))

P/C NEWS No. : Y00R4782-3  
PUBLISHED : 2003/9



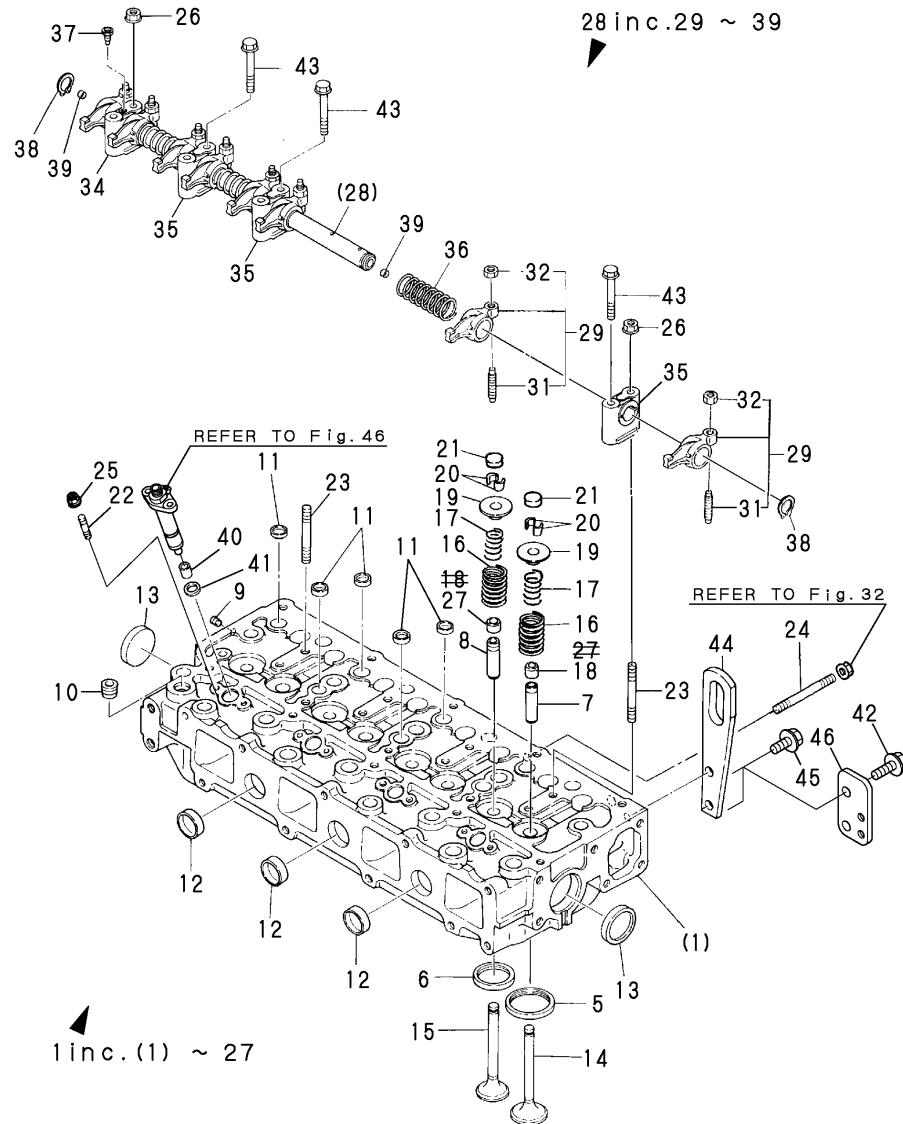
(A)=4LHA-STE(P) (D)=4LHA-DTZE(P)  
(B)=4LHA-STZE(P) (E)=4LHA-HTE(P)  
(C)=4LHA-DTE(P) (F)=4LHA-HTZE(P)

REF.	LEV.	PARTS NO.	DESCRIPTION	QTY						I	R
				(A)	(B)	(C)	(D)	(E)	(F)		
1	1	719175-11700	HEAD ASSY, CYLINDER	1	1						
1A	1	719173-11710	HEAD ASSY, CYL			1	1				
5	3	119173-11080	INSERT, INTAKE	4	4	4	4				
6	3	119173-11090	SEAT, VALVE	4	4	4	4				
7	3	121850-11160	GUIDE, VALVE	4	4	4	4				
8	3	119000-11170	GUIDE, VALVE (EXH.	4	4	4	4				
9	3	23871-005000	PLUG PT 1/16	1	1						
9-1	3	23876-005000	PLUG PT 1/16,SCREW	1	1	1	1				N
		(A=E/#50582) (B=E/#A0421)									
10	3	23871-030000	PLUG PT3/8,SCREW	1	1						
10-1	3	23876-030000	PLUG PT3/8,SCREW	1	1	1	1				N
		(A=E/#50582) (B=E/#A0421)									
11	3	27241-160000	PLUG 16	4	4	4	4				
12	3	27241-280000	PLUG 28	3	3	3	3				
13	3	27241-400000	PLUG 40	2	2	2	2				
14	2	119173-11101	VALVE, SUCTION	4	4	4	4				
15	2	119593-11110	VALVE, EXHAUST	4	4						
15A	2	119173-11110	VALVE, EXHAUST			4	4				
16	2	124617-11120	SPRING (A), VALVE	8	8	8	8				
17	2	124617-11130	SPRING (B), VALVE	8	8	8	8				
18	2	121850-11150	SEAL, VALVE STEM	4	4	4	4				
19	2	119171-11150	SEAL, VALVE STEM	4	4	4	4				
20	2	124411-11180	RETAINER, SPRING	8	8	8	8				
21	2	27310-090001	COTTER 9	8	8	8	8				
22	2	119171-11370	CAP, VALVE	8	8	8	8				
I 23	2	119175-13150	STUD BOLT	2	2	2	2				Z
		(A=*2003.09) (B=*2003.09) (C=*2003.09) (D=*2003.09)									
24	2	119593-11911	BOLT	8	8						
24-1	2	119175-11910	BOLT	8	8	8	8				N
		(A=E/#50155) (B=E/#50182)									
25	2	26216-080652	STUD M 8X 65 PLATED	2	2	2	2				
26	2	26366-060002	NUT M 6	8	8	8	8				
27	2	26306-080002	NUT	2	2	2	2				
28	1	119173-11240	SHAFT ASSY, ARM	1	1	1	1				
29	2	719000-11651	ARM ASSY, ROCKER	8	8	8	8				
31	3	119000-11230	SCREW, VALVE	8	8	8	8				
32	3	129150-11750	NUT M8XP1.0	8	8	8	8				
34	2	119000-11260	BRACKET (A)	1	1	1	1				
35	2	119000-11270	BRACKET (B)	3	3	3	3				
36	2	119000-11280	SPRING	3	3	3	3				
37	2	119000-11290	BOLT, SET	1	1	1	1				
38	2	119173-11350	SPACER	8	8	8	8				
39	2	22242-000180	CIRCLIP 18	2	2	2	2				
40	2	27241-100000	PLUG 10	2	2	2	2				
41	1	119625-11870	PROTECTOR, NOZZLE	4	4	4	4				
42	1	119625-11880	SEAT, NOZZLE	4	4	4	4				
43	1	26106-080652	BOLT M 8X 65 PLATED	6	6	6	6				
44	1	119000-07200	LIFTER	2	2	2	2				
45	1	26106-100202	BOLT M10X 20 PLATED	4	4	4	4				
46	1	119172-77160	SUPPORT B	1	1	1	1				W
		(A=E/#51115) (B=E/#A0624)									
47	1	26106-100252	BOLT M10X 25 PLATED	2	2	2	2				W
		(A=E/#51115) (B=E/#A0624)									

Fig.10.CYLINDER HEAD(4LHA-HT(Z)E(P))

P/C NEWS No.:Y00R4782-2  
PUBLISHED:2003/7

Fig. 10 シリンダヘッド (4LHA-HT (Z) E (P))  
CYLINDER HEAD (4LHA-HT (Z) E (P))



(A)=4LHA-STE(P) (D)=4LHA-DTZE(P)  
(B)=4LHA-STZE(P) (E)=4LHA-HTE(P)  
(C)=4LHA-DTE(P) (F)=4LHA-HTZE(P)

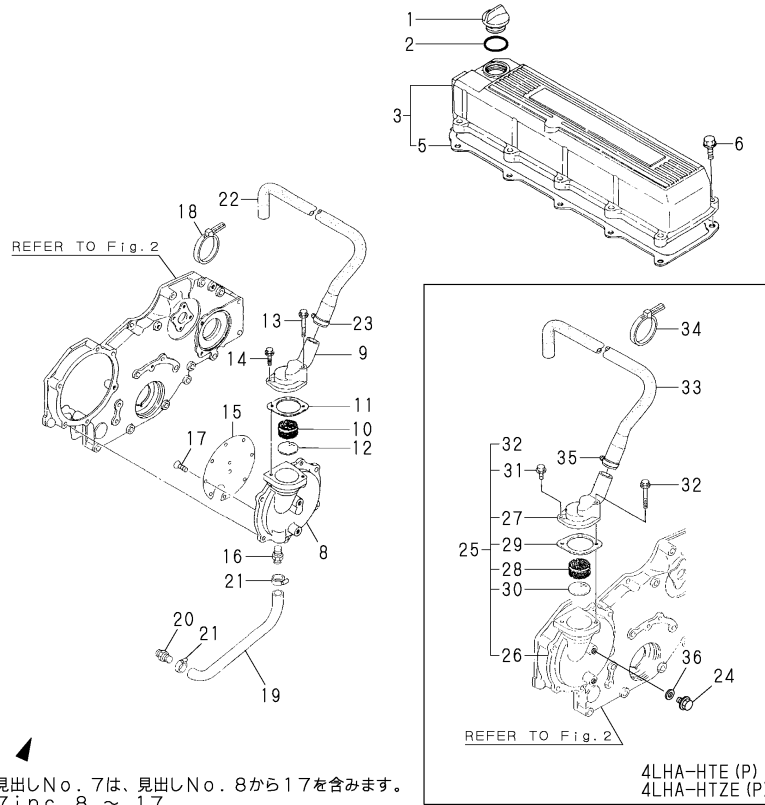
REF.	LEV.	PARTS NO.	DESCRIPTION	QTY						I	R
				(A)	(B)	(C)	(D)	(E)	(F)		
1	1	719172-11700	HEAD ASSY, CYLINDER							1	1
5	3	119100-11080	SEAT, VALVE (INTAKE)							4	4
6	3	119100-11090	SEAT, VALVE (EXHAUST)							4	4
7	3	121850-11160	GUIDE, VALVE							4	4
8	3	119000-11170	GUIDE, VALVE (EXH.)							4	4
9	3	23876-005000	PLUG PT 1/16,SCREW							1	1
10	3	23876-030000	PLUG PT3/8,SCREW							1	1
11	3	27241-160000	PLUG 16							7	7
12	3	27241-280000	PLUG 28							3	3
13	3	27241-400000	PLUG 40							2	2
14	2	121850-11100	VALVE, SUCTION							4	4
15	2	119171-11110	VALVE, EXHAUST							4	4
16	2	124617-11120	SPRING (A), VALVE							8	8
17	2	124617-11130	SPRING (B), VALVE							8	8
18	2	121850-11150	SEAL, VALVE STEM							4	4
19	2	124411-11180	RETAINER, SPRING							8	8
20	2	27310-090001	COTTER 9							8	8
21	2	119171-11370	CAP, VALVE							8	8
22	2	119175-11910	BOLT							8	8
23	2	26216-080652	STUD M 8X 65 PLATED							2	2
24	2	119172-44300	STUD BOLT							2	2
25	2	26366-060002	NUT M 6							8	8
26	2	26306-080002	NUT							2	2
27	2	119171-11150	SEAL, VALVE STEM							4	4
28	1	119100-11230	SHAFT ASSY, ARM							1	1
29	2	719129-11660	ARM ASSY, ROCKER							8	8
31	3	119000-11230	SCREW, VALVE							8	8
32	3	129150-11750	NUT M8XP1.0							8	8
34	2	119000-11260	BRACKET (A)							1	1
35	2	119000-11270	BRACKET (B)							3	3
36	2	119000-11280	SPRING							3	3
37	2	119000-11290	BOLT, SET							1	1
38	2	22242-000180	CIRCLIP 18							2	2
39	2	27241-100000	PLUG 10							2	2
40	1	119625-11870	PROTECTOR, NOZZLE							4	4
41	1	119625-11880	SEAT, NOZZLE							4	4
42	1	26106-100252	BOLT M10X 25 PLATED							2	2
43	1	26106-080652	BOLT M 8X 65 PLATED							6	6
44	1	119000-07200	LIFTER							2	2
45	1	26106-100202	BOLT M10X 20 PLATED							4	4
46	1	119172-77160	SUPPORT B							1	1

Fig.11.BONNET & BREATHER

(A)=4LHA-STE(P)  
 (B)=4LHA-STZE(P)  
 (C)=4LHA-DTE(P)  
 (D)=4LHA-DTZE(P)  
 (E)=4LHA-HTE(P)  
 (F)=4LHA-HTZE(P)

Y00R4782

Fig. 11 ボンネット&ブリーザ  
 BONNET & BREATHER



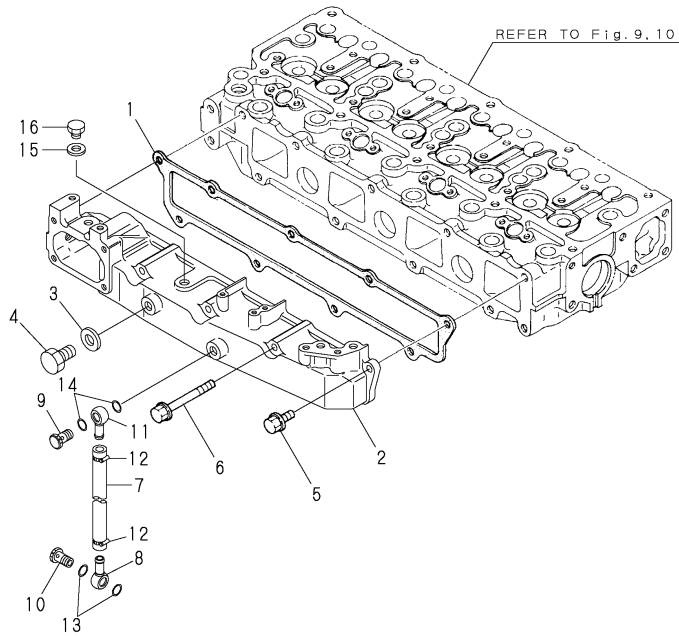
REF.	LEV.	PARTS NO.	DESCRIPTION	QTY						I	R
				(A)	(B)	(C)	(D)	(E)	(F)		
1	1	124160-01751	COVER,FILLER	1	1	1	1	1	1		
2	1	24311-000320	O-RING 1A P-32.0	1	1	1	1	1	1		
3	1	119173-11300	BONNET ASSY,HEAD	1	1	1	1	1	1		
5	2	119100-11320	GASKET, BONNET	1	1	1	1	1	1		
6	1	26106-080252	BOLT M 8X 25 PLATED	10	10	10	10	10	10		
7	1	119175-03021	COVER,BREAZER	1	1		1				
8	2	119174-01932	COVER	1	1		1				
9	2	119173-03030	COVER	1	1		1				
10	2	121850-03050	NET	1	1		1				
11	2	124411-03051	GASKET, (NON-ASB.)	1	1		1				
12	2	121750-03080	PLATE, BAFFLE	1	1		1				
13	2	26106-060452	BOLT M 6X 45 PLATED	1	1		1				
14	2	26106-060182	BOLT M 6X 18 PLATED	1	1		1				
15	2	119174-03192	PLATE	1	1		1				
16	2	129122-44480	JOINT	1	1		1				
17	2	26557-040062	SCREW 4X6	9	9		9				
18	1	121750-59890	CLAMP 140	4	4		4				
19	1	119174-39700	PIPE	1	1		1				
20	1	129122-44480	JOINT	1	1		1				
21	1	23000-022000	CLAMP 22	2	2		2				
22	1	119175-03100	HOSE, BREATHER	1	1		1				
23	1	23000-035000	CLAMP 35	1	1		1				
24	1	26106-080122	BOLT M 8X 12 PLATED				1		1	1	
25	1	119173-03020	COVER,BREATHER				1		1	1	
26	2	119187-01930	COVER				1		1	1	
27	2	119173-03030	COVER				1		1	1	
28	2	121850-03050	NET				1		1	1	
29	2	124411-03051	GASKET, (NON-ASB.)				1		1	1	
30	2	121750-03080	PLATE, BAFFLE				1		1	1	
31	2	26106-060182	BOLT M 6X 18 PLATED				1		1	1	
32	2	26106-060452	BOLT M 6X 45 PLATED				1		1	1	
33	1	119175-03100	HOSE, BREATHER				1		1	1	
34	1	121750-59890	CLAMP 140				2		2	2	
35	1	23000-035000	CLAMP 35				1		1	1	
36	1	23414-080000	GASKET 8, ROUND				1		1	1	

Fig.12.SUCTION MANIFOLD

(A)=4LHA-STE(P)  
 (B)=4LHA-STZE(P)  
 (C)=4LHA-DTE(P)  
 (D)=4LHA-DTZE(P)  
 (E)=4LHA-HTE(P)  
 (F)=4LHA-HTZE(P)

Y00R4782

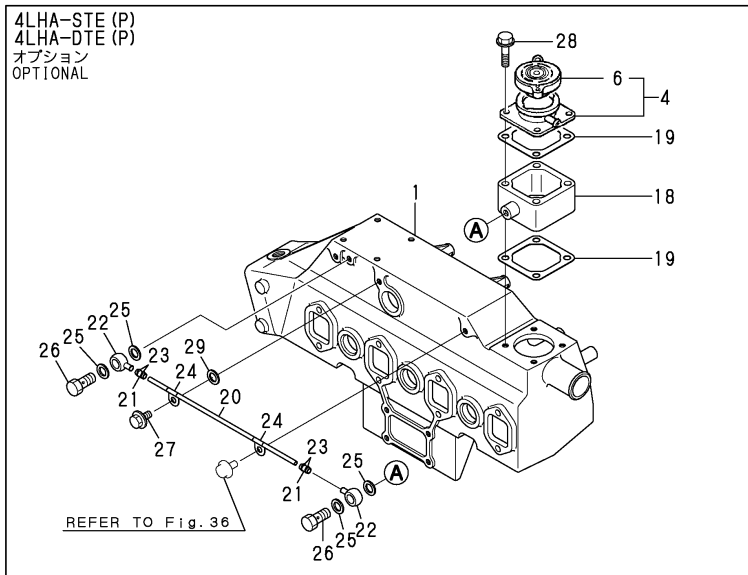
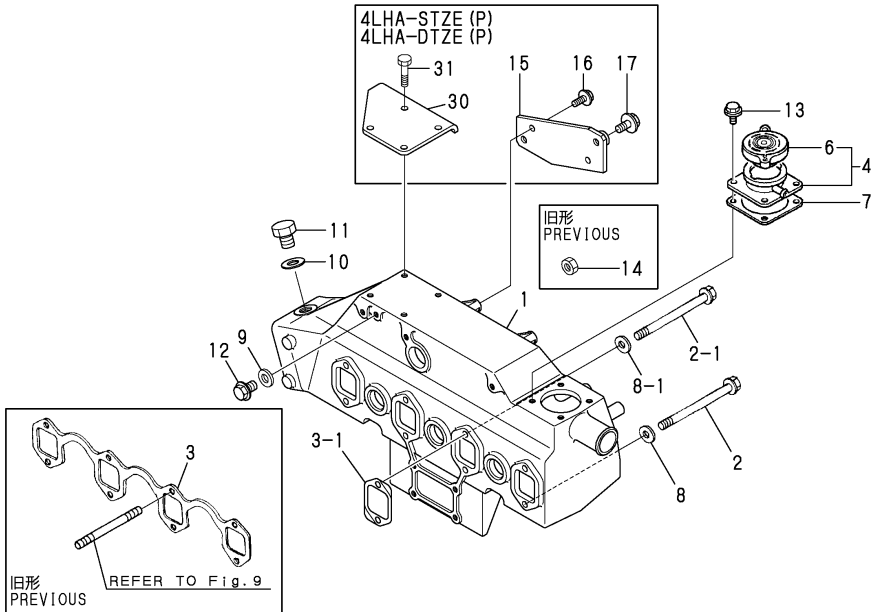
Fig. 12 吸気マニホールド  
 SUCTION MANIFOLD



REF.	LEV.	PARTS NO.	DESCRIPTION	QTY						I	R
				(A)	(B)	(C)	(D)	(E)	(F)		
1	1	119100-12112	GASKET, (NON ASB.)	1	1						
1-1	1	119100-12113	GASKET	1	1	1	1	1	1	1	N
		(A=E/#50448)	(B=E/#A0401)								
2	1	119175-12110	MANIFOLD,INTAKE	1	1	1	1	1	1	1	
3	1	23414-120000	GASKET 12, ROUND	2	2	2	2	2	2	2	
4	1	23887-120002	PLUG M12,HEX.	2	2	2	2	2	2	2	
5	1	26106-080202	BOLT M 8X 20 PLATED	6	6	6	6	6	6	6	
6	1	26106-080702	BOLT M 8X 70 PLATED	3	3	3	3	3	3	3	
7	1	127695-18490	JOINT	1	1						
7-1	1	119593-18480	JOINT	1	1						N
		(A=E/#50372)	(B=E/#A0401)								
I 7-2	1	127695-18490	JOINT	1	1	1	1				N
		(A=E/#51494)	(B=E/#A0830)								
8	1	129590-18520	JOINT 10, PIPE	1	1	1	1				
9	1	103854-39140	BOLT, PIPE JOINT	1	1	1	1				
10	1	124160-39140	BOLT 10, PIPE JOINT	1	1	1	1				
11	1	104264-59020	JOINT 12, PIPE	1	1	1	1				
12	1	23000-013000	CLAMP 13	2	2	2	2				
13	1	23414-100000	GASKET 10, ROUND	2	2	2	2				
14	1	23414-120000	GASKET 12, ROUND	2	2	2	2				
15	1	23414-200000	GASKET 20, ROUND	2	2	2	2				W
		(A=E/#50759)	(B=E/#A0515)								
16	1	23887-200002	PLUG 20, HEX.	2	2	2	2				W
		(A=E/#50759)	(B=E/#A0515)								

Fig.13.EXHAUST MANIFOLD

P/C NEWS No. :Y00R4782-3  
PUBLISHED :2003/9



Remarks  
(1)OPTIONAL

Y00R4782 13.EXHAUST MANIFOLD

(A)=4LHA-STZE(P) (D)=4LHA-DTZE(P)  
(B)=4LHA-STZE(P) (E)=4LHA-HTE(P)  
(C)=4LHA-DTE(P) (F)=4LHA-HTZE(P)

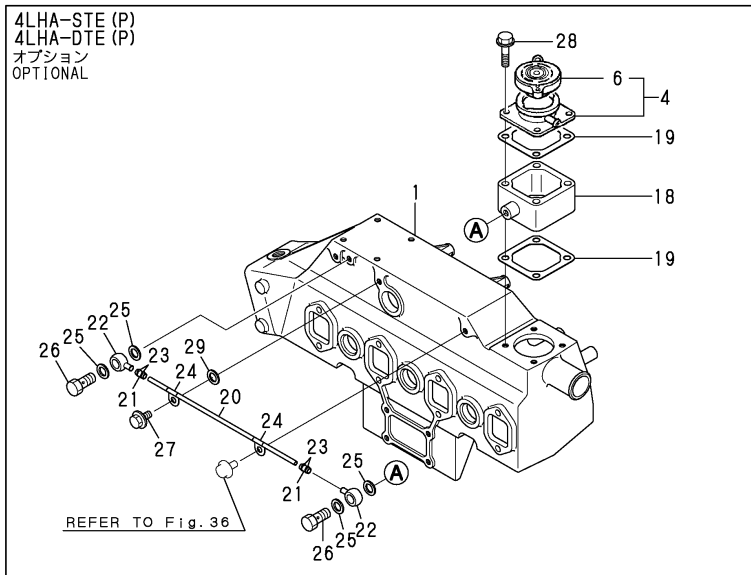
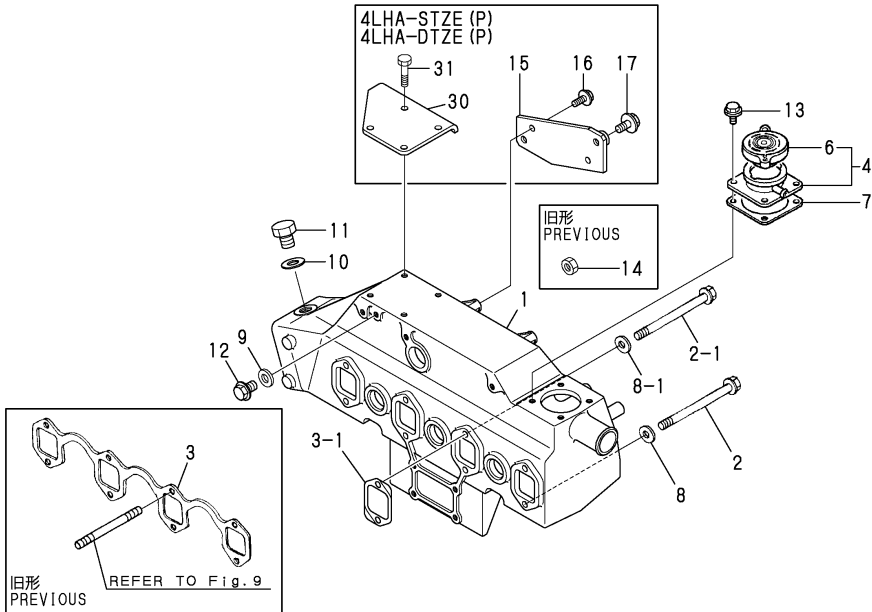
REF.	LEV.	PARTS NO.	DESCRIPTION	QTY						I	R
				(A)	(B)	(C)	(D)	(E)	(F)		
1	1	119175-13110	MANIFOLD,EXHAUST	1	1						
1-1	1	119175-13111	MANIFOLD,EXHAUST	1	1						N
		(A=E/#50582) (B=E/#A0421)									
1-2	1	119175-13112	MANIFOLD,EXH.	1	1	1	1				N
		(A=E/#50653) (B=E/#A0463)									
2	1	119175-13140	BOLT(MANIFOLD	6	6	6	6				
I 2-1	1	119175-13140	BOLT(MANIFOLD	8	8	8	8				K
		(A=*2003.09) (B=*2003.09) (C=*2003.09) (D=*2003.09)									
3	1	119174-13201	GASKET(CFW COOLER	1	1	1	1				
I 3-1	1	119595-13200	GASKET	4	4	4	4				N
		(A=*2003.09) (B=*2003.09) (C=*2003.09) (D=*2003.09)									
4	1	129171-44600	FILLER ASSY	1	1	1	1				
6	2	129107-44590	CAP, RADIATOR	1	1	1	1				
7	1	120445-44640	GASKET	1	1	1	1				
8	1	22137-080000	WASHER 8, POLISHED	6	6	6	6				
I 8-1	1	22137-080000	WASHER 8, POLISHED	8	8	8	8				K
		(A=*2003.09) (B=*2003.09) (C=*2003.09) (D=*2003.09)									
9	1	23414-080012	GASKET 8	1	1	1	1				
10	1	23414-170000	GASKET 17, ROUND	1	1	1	1				
11	1	23894-030002	PLUG G3/8,HEX.	1	1	1	1				
12	1	26106-080122	BOLT M 8X 12 PLATED	1	1	1	1				
13	1	26106-080142	BOLT 8X 14 PLATED	4	4	4	4				
I 14	1	26306-080002	NUT	2	2	2	2				Z
		(A=*2003.09) (B=*2003.09) (C=*2003.09) (D=*2003.09)									
15	1	119175-67250	BRCKET,CANCEL WIRE		1		1				
16	1	26106-080182	BOLT M 8X 18 PLATED		4		4				
17	1	26106-100182	BOLT M10X 18 PLATED		2		2				
18	1	119595-44600	SPACER,FILLER	1	1						W 1
		(A=E/#50507)									
19	1	120445-44640	GASKET	2	2						W 1
		(A=E/#50507)									
20	1	119175-44700	CWF-T,FILLER	1	1						W 1
		(A=E/#50507)									
21	1	119175-44800	JOINT,FILLER	2	2						W 1
		(A=E/#50507)									
22	1	104264-59030	JOINT 8, PIPE	2	2						W 1
		(A=E/#50507)									
23	1	23000-013000	CLAMP 13	4	4						W 1
		(A=E/#50507)									
24	1	23297-080081	RETAINER 8X 8	2	2						W 1
		(A=E/#50507)									
25	1	23414-080012	GASKET 8	4	4						W 1
		(A=E/#50507)									
26	1	23857-030000	JOINT BOLT 3	2	2						W 1
		(A=E/#50507)									
27	1	26106-080162	BOLT M 8X 16 PLATED	1	1						W 1
		(A=E/#50507)									
28	1	26106-080602	BOLT M 8X 60 PLATED	4	4						W 1
		(A=E/#50507)									
29	1	22137-080000	WASHER 8, POLISHED	1	1						W 1
		(A=E/#50507)									
30	1	119175-13510	BRACKET		1		1				W
		(B=E/#A0461)									
30-1	1	119175-13511	BRACKET		1		1				S

++ CONTINUE ++

Fig.13.EXHAUST MANIFOLD

P/C NEWS No. :Y00R4782-3  
 PUBLISHED : 2003/9

(A)=4LHA-STE(P) (D)=4LHA-DTZE(P)  
 (B)=4LHA-STZE(P) (E)=4LHA-HTE(P)  
 (C)=4LHA-DTE(P) (F)=4LHA-HTZE(P)



REF.	LEV.	PARTS NO.	DESCRIPTION	QTY						I	R
				(A)	(B)	(C)	(D)	(E)	(F)		
31	1	26106-080202	BOLT M 8X 20 PLATED		4		4				W

Remarks  
 (1)OPTIONAL



Fig.14.CAMSHAFT & DRIVING GEAR

(A)=4LHA-STE(P) (D)=4LHA-DTZE(P)  
 (B)=4LHA-STZE(P) (E)=4LHA-HTE(P)  
 (C)=4LHA-DTE(P) (F)=4LHA-HTZE(P)

REF.	LEV.	PARTS NO.	DESCRIPTION	QTY						I	R
				(A)	(B)	(C)	(D)	(E)	(F)		
1	1	119195-14000	CAMSHFT ASSY	1	1						
1A	1	119171-14000	CAMSHAFT ASSY.			1	1	1	1		
2	2	119000-02450	BEARING, THRUST	1	1	1	1	1	1	1	
4	2	119000-14100	GEAR, CAMSHAFT Z=48	1	1	1	1	1	1	1	
5	2	22512-070140	KEY 7X 14	1	1	1	1	1	1	1	
6	1	119000-14200	TAPPET	8	8	8	8	8	8	8	
7	1	119171-14400	PUSH ROD	8	8	8	8	8	8	8	
8	1	26106-080162	BOLT M 8X 16 PLATED	2	2	2	2	2	2	2	
9	1	119000-25050	SHAFT, IDLE GEAR	1	1	1	1	1	1	1	
10	1	119174-25060	BOLT M8X45,COLLAR	2	2	2	2	2	2	2	
11	1	119000-25100	GEAR ASSY, IDLE Z=51	1	1	1	1	1	1	1	
14	2	119000-25930	BUSH, IDLE GEAR	1	1	1	1	1	1	1	

Y00R4782

Fig. 14 カムシャフト & 駆動ギヤ  
 CAMSHAFT & DRIVING GEAR

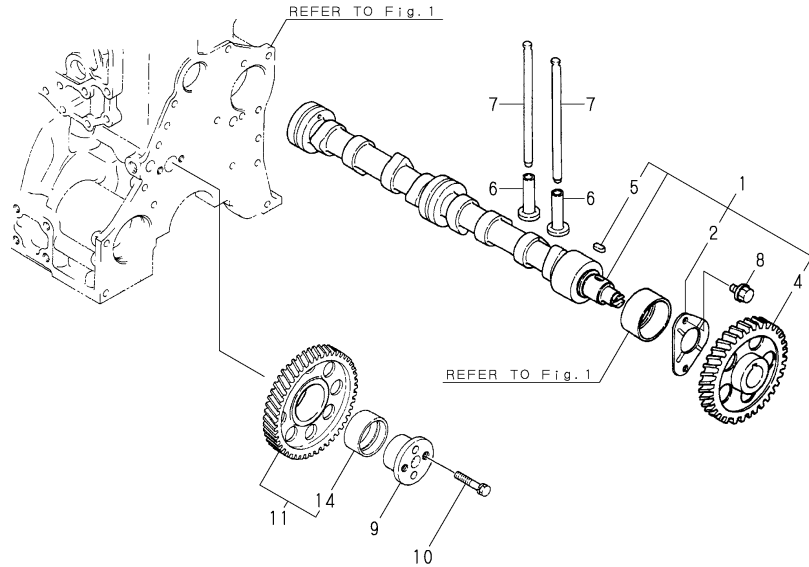
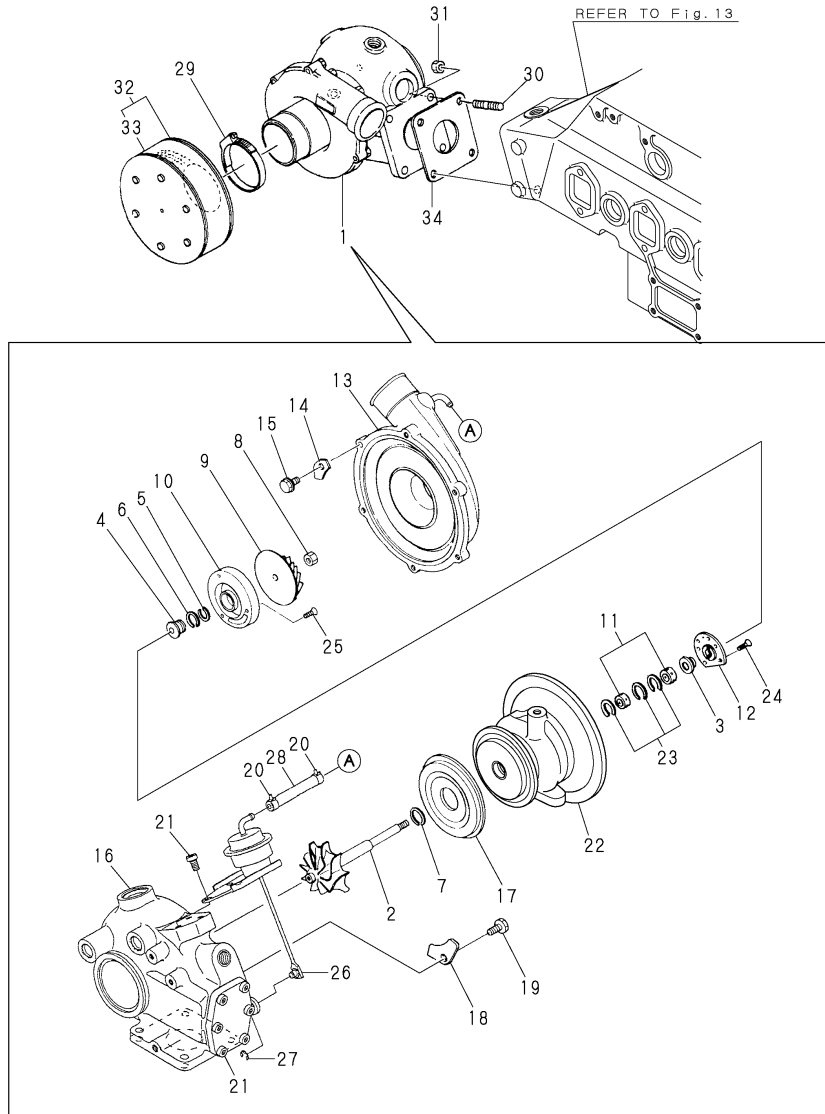


Fig.15.TURBOCHARGER(4LHA-ST(Z)E(P))

(A)=4LHA-STE(P)  
 (B)=4LHA-STZE(P)  
 (C)=4LHA-DTE(P)  
 (D)=4LHA-DTZE(P)  
 (E)=4LHA-HTE(P)  
 (F)=4LHA-HTZE(P)

Y00R4782

Fig. 15 タービン (4LHA-ST(Z)E(P))  
 TURBOCHARGER (4LHA-ST(Z)E(P))



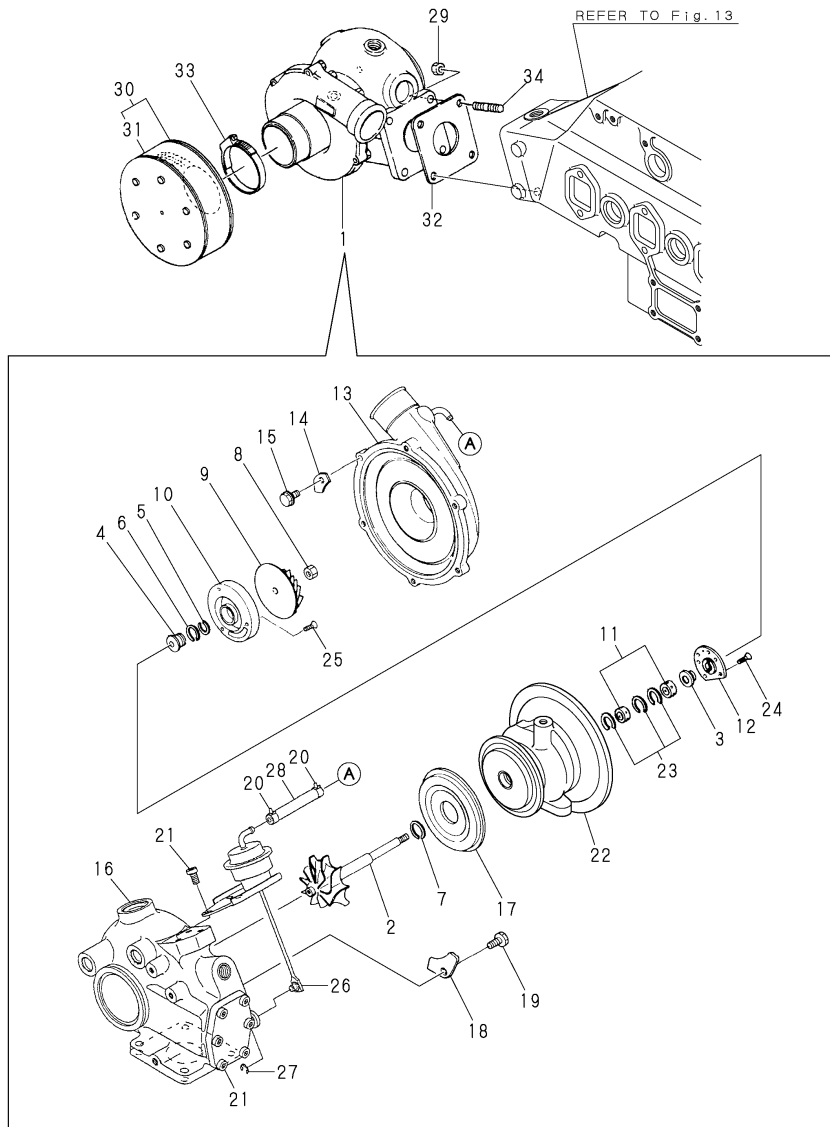
REF.	LEV.	PARTS NO.	DESCRIPTION	QTY						I	R
				(A)	(B)	(C)	(D)	(E)	(F)		
1	1	119175-18030	TURBOCHARGER	1	1						
I	1-1	119175-18031	TURBOCHARGER	1	1						N
		(A=E/#50625) (B=E/#A0461)									
2	2	XNH261301D	TURBIN SHAFT ASSY	1	1						
I	3	2 XNH261112	BUSH	1	1						Z
		(A=E/#50625) (B=E/#A0461)									
I	3-1	2 XNH261081	BUSH	1	1						W
		(A=E/#50625) (B=E/#A0461)									
I	4	2 XNH261103	OIL THROWER	1	1						Z
		(A=E/#50625) (B=E/#A0461)									
I	4-1	2 XNH261082	COVER	1	1						W
		(A=E/#50625) (B=E/#A0461)									
5	2	XNN131576	RING, SEAL	1	1						
6	2	XNN171006	SEAL RING	1	1						
7	2	XNN971007	SEAL RING	1	1						
8	2	XNH261107	NUT,SHAFT END	1	1						
9	2	XNH265520	IMPELLER,COMPRESSOR	1	1						
10	2	XNN193012	PLATE, SEAL	1	1						
11	2	XNH263501	METAL,FLOATING	2	2						
12	2	XNH263502	BEARING, THRUST	1	1						
13	2	XNH164718	HOUSING(COMPRESSOR)	1	1						
14	2	XNH164106	BRACKET	6	6						
15	2	XNH164105	BOLT M6	6	6						
16	2	XNH167595	HOUSING(TURBINE)	1	1						
17	2	XNH163329	INSULATOR, SILENCER	1	1						
18	2	XNN137423	RETAINER	5	5						
19	2	XNN137007	BOLT M8	5	5						
20	2	XNN976562	CLAMP	2	2						
21	2	XNH362809	FLAT BOLT	6	6						
22	2	XNH163331	HOUSING, BEARING	1	1						
23	2	XNN977003	RETAINING RING	3	3						
24	2	XNB133206	SCREW	4	4						
25	2	XNH163006	SCREW M4	3	3						
26	2	XNH961640	ACTUATOR	1	1						
27	2	XJD532012	CIRCLIP	1	1						
28	2	XNH978919	BOOST HOSE	1	1						
29	1	127687-18910	CLAMP	1	1						
30	1	26223-100252	STUD M10X 25	4	4						
31	1	26703-100002	NUT M10	4	4						
32	1	119195-18860	SIRENCER,TURBO	1	1						
33	2	XN199611	FILTER, INLET	1	1						
33-1	2	119195-18880	FILTER	1	1						R
		(A=FROM 1ST) (B=FROM 1ST)									
34	1	128300-13230	PACKING	1	1						

Fig.16.TURBOCHARGER(4LHA-DT(Z)E(P))

(A)=4LHA-STE(P) (D)=4LHA-DTZE(P)  
 (B)=4LHA-STZE(P) (E)=4LHA-HTE(P)  
 (C)=4LHA-DTE(P) (F)=4LHA-HTZE(P)

Y00R4782

Fig. 16 タービン (4LHA-DT (Z) E (P))  
 TURBOCHARGER (4LHA-DT (Z) E (P))



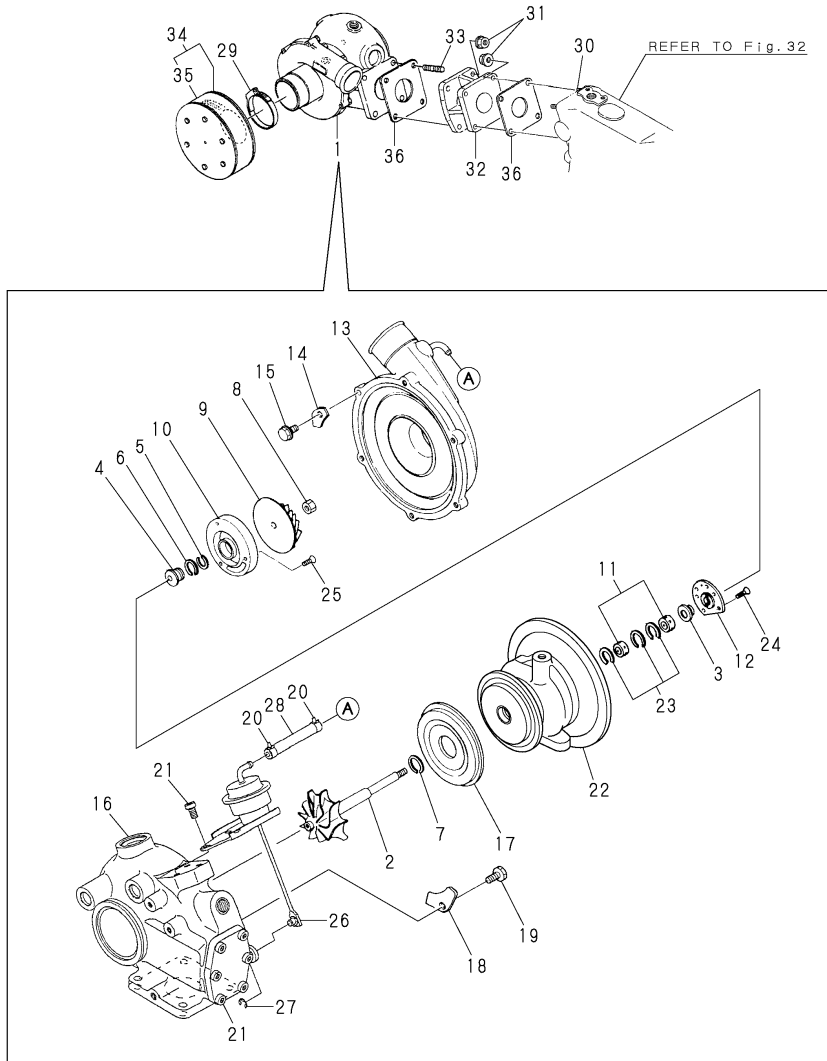
REF.	LEV.	PARTS NO.	DESCRIPTION	Q'TY						I	R	
				(A)	(B)	(C)	(D)	(E)	(F)			
1	1	119173-18041	TURBO-CHARGER(RHC61				1	1				
2	2	XNH261301D	TURBIN SHAFT ASSY				1	1				
3	2	XNH261081	BUSH				1	1				
4	2	XNH261082	COVER				1	1				
5	2	XNN131576	RING, SEAL				1	1				
6	2	XNN171006	SEAL RING				1	1				
7	2	XNN971007	SEAL RING				1	1				
8	2	XNH261107	NUT,SHAFT END				1	1				
9	2	XNH265520	IMPELLER,COMPRESSOR				1	1				
10	2	XNN193012	PLATE, SEAL				1	1				
11	2	XNH263501	METAL,FLOATING				2	2				
12	2	XNH263502	BEARING, THRUST				1	1				
13	2	XNH264962	HOUSING				1	1				
14	2	XNH164106	BRACKET				6	6				
15	2	XNH164105	BOLT M6				6	6				
16	2	XNH167596	HOUSING(TURBINE				1	1				
17	2	XNH163329	INSULATOR, SILENCER				1	1				
18	2	XNH137423	RETAINER				5	5				
19	2	XNN137007	BOLT M8				5	5				
20	2	XNN976562	CLAMP				2	2				
21	2	XNH362809	FLAT BOLT				6	6				
22	2	XNH163331	HOUSING, BEARING				1	1				
23	2	XNN977003	RETAINING RING				3	3				
24	2	XNB133206	SCREW				4	4				
25	2	XNH163006	SCREW M4				3	3				
26	2	XNH961640	ACTUATOR				1	1				
27	2	XJD532012	CIRCLIP				1	1				
28	2	XNH978919	BOOST HOSE				1	1				
29	1	26703-100002	NUT M10				4	4				
30	1	119195-18860	SIRENCER,TURBO				1	1				
31	2	119195-18880	FILTER				1	1				
32	1	128300-13230	PACKING				1	1				
33	1	127687-18910	CLAMP				1	1				
34	1	26223-100252	STUD M10X 25				4	4				

Fig.17.TURBOCHARGER(4LHA-HT(Z)E(P))

(A)=4LHA-STE(P) (D)=4LHA-DTZE(P)  
 (B)=4LHA-STZE(P) (E)=4LHA-HTE(P)  
 (C)=4LHA-DTE(P) (F)=4LHA-HTZE(P)

Y00R4782

Fig. 17 タービン (4LHA-HT(Z)E(P))  
 TURBOCHARGER (4LHA-HT(Z)E(P))

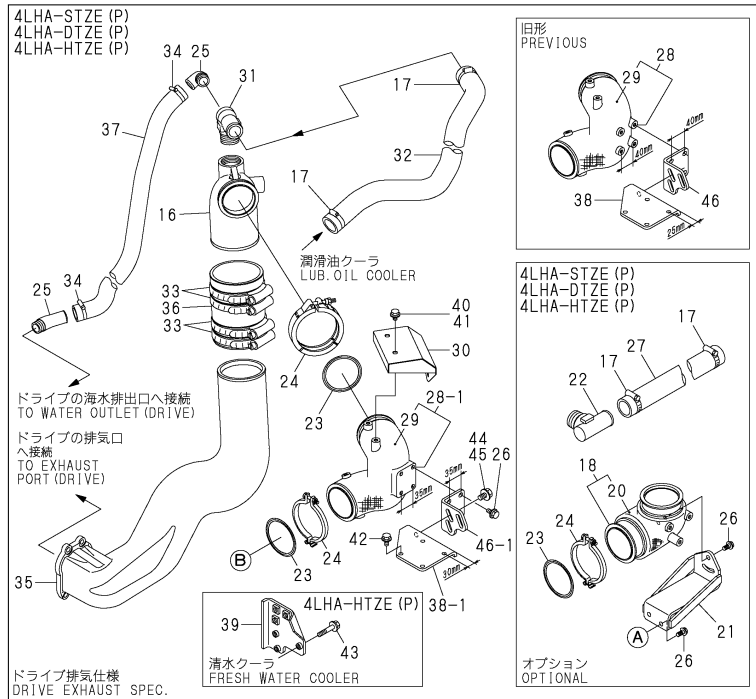
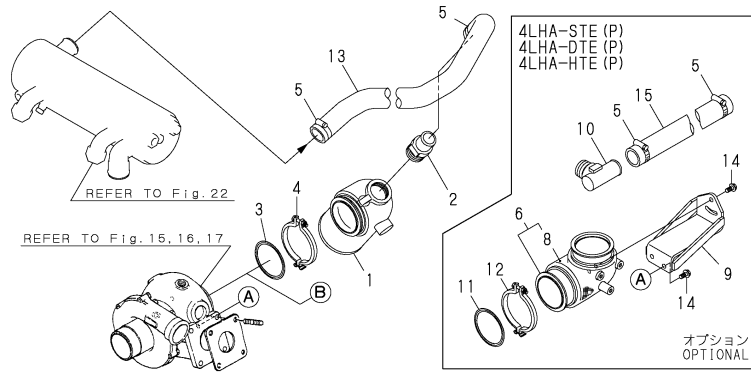


REF.	LEV.	PARTS NO.	DESCRIPTION	QTY						I	R		
				(A)	(B)	(C)	(D)	(E)	(F)				
1	1	119172-18030	TURBOCHARGER							1	1		
2	2	XNH261301D	TURBIN SHAFT ASSY							1	1		
3	2	XNH261081	BUSH							1	1		
4	2	XNH261082	COVER							1	1		
5	2	XNN131576	RING, SEAL							1	1		
6	2	XNN171006	SEAL RING							1	1		
7	2	XNN971007	SEAL RING							1	1		
8	2	XNH261107	NUT,SHAFT END							1	1		
9	2	XNH265520	IMPELLER,COMPRESSOR							1	1		
10	2	XNN193012	PLATE, SEAL							1	1		
11	2	XNH263501	METAL,FLOATING							2	2		
12	2	XNH263502	BEARING, THRUST							1	1		
13	2	XNH264962	HOUSING							1	1		
14	2	XNH164106	BRACKET							6	6		
15	2	XNH164105	BOLT M6							6	6		
16	2	XNH167599	HOUSING(TURBINE							1	1		
17	2	XNH163329	INSULATOR, SILENCER							1	1		
18	2	XNH137423	RETAINER							5	5		
19	2	XNH137007	BOLT							5	5		
20	2	XNN976562	CLAMP							2	2		
21	2	XNH362809	FLAT BOLT							6	6		
22	2	XNH163331	HOUSING, BEARING							1	1		
23	2	XNN977003	RETAINING RING							3	3		
24	2	XNB133206	SCREW							4	4		
25	2	XNH163006	SCREW M4							3	3		
26	2	XNH961640	ACTUATOR							1	1		
27	2	XJD532012	CIRCLIP							1	1		
28	2	XNH978919	BOOST HOSE							1	1		
29	1	127687-18910	CLAMP							1	1		
30	1	26223-100252	STUD M10X 25							4	4		
31	1	26703-100002	NUT M10							8	8		
32	1	119172-18060	BRACKET,TURBOCHARGER							1	1		
33	1	26213-100252	STUD M10X 25							4	4		
34	1	119195-18860	SIRENCER,TURBO							1	1		
35	2	119195-18880	FILTER							1	1		
36	1	128300-13230	PACKING							2	2		

Fig.18.MIXING ELBOW & EXHAUST BEND

Y00R4782

Fig. 18 ミキシングエルボ&排気バンド  
MIXING ELBOW & EXHAUST BEND



Remarks  
 (1)OPTIONAL  
 (2)INTERCHANGEABLE BY SIMULTANEOUS  
 REPLACEMENT WITH REF.NO.38-1,46-1

(A)=4LHA-STE(P)  
 (B)=4LHA-STZE(P)  
 (C)=4LHA-DTE(P)  
 (D)=4LHA-DTZE(P)  
 (E)=4LHA-HTZE(P)  
 (F)=4LHA-HTZE(P)

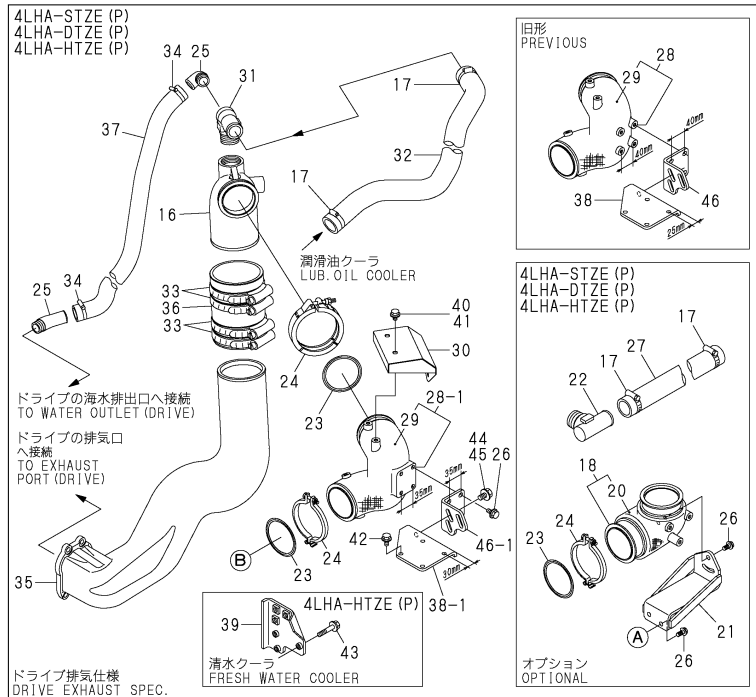
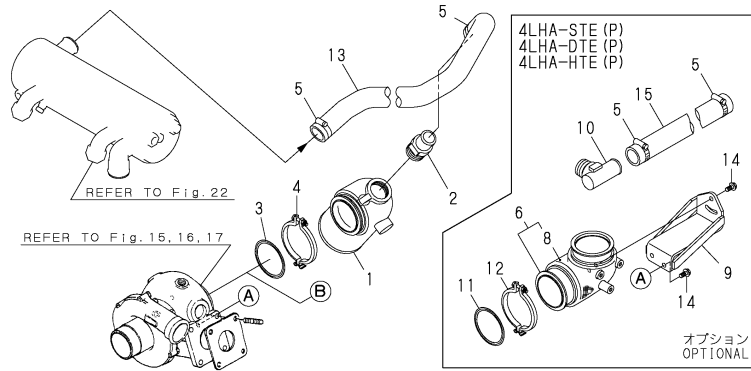
REF.	LEV.	PARTS NO.	DESCRIPTION	QTY						I	R
				(A)	(B)	(C)	(D)	(E)	(F)		
1	1	119773-13500	MIXING ELBOW	1	1	1		1			
1-1	1	119773-13500	MIXING ELBOW (B=E/#A0461)		1						Z 1
2	1	119175-48600	JOINT,CW	1							
I 2-1	1	119175-48630	BEND,90 ELBOW (A=E/#51645)	1		1		1			R
2A	1	119175-48600	JOINT,CW (B=E/#A0461)		1						Z
3	1	119773-13250	GASKET,TURBOCHARGER	1		1		1			
4	1	119773-13300	V-CLAMP	1		1		1			
5	1	23000-048000	CLAMP 48	2		2		2			
6	1	119175-13200	BEND, EXH	1		1		1			1
8	2	119175-13220	WOOL MAT	1		1		1			1
9	1	119175-13250	BRACKET,BEND,EX	1							1
I 9-1	1	119175-13260	BRACKET,BEND,EX (A=E/#51645)	1		1		1			R 1
10	1	119175-48620	JOINT,CW	1							1
I 10-1	1	119175-48650	JOINT,CW (A=E/#51645)	1		1		1			R 1
11	1	119773-13250	GASKET,TURBOCHARGER	1		1		1			1
12	1	119773-13300	V-CLAMP	1		1		1			1
13	1	119175-49010	HOSE,MIXING IN	1		1		1			
13A	1	119175-49020	HOSE,MIXING IN		1						
13A-1	1	119175-49020	HOSE,MIXING IN (B=E/#A0461)		1						Z
14	1	26106-080162	BOLT M 8X 16 PLATED	4		4		4			
15	1	119175-49020	HOSE,MIXING IN	1		1		1			
16	1	119773-13500	MIXING ELBOW		1			1			1
17	1	23000-048000	CLAMP 48		2			2			2
18	1	119175-13200	BEND, EXH		1			1			1
20	2	119175-13220	WOOL MAT		1			1			1
21	1	119175-13260	BRACKET,BEND,EX		1			1			1
22	1	119175-48650	JOINT,CW		1			1			1
23	1	119773-13250	GASKET,TURBOCHARGER		2			2			2
24	1	119773-13300	V-CLAMP		2			2			2
25	1	119175-49520	45 DEGREE ELBOW (B=E/#A0461)	2							W
I 25-1	1	119175-49550	ELBOW,SEA WATER (B=*2001.09)		2			2			R
26	1	26106-080162	BOLT M 8X 16 PLATED	4		4		4			
27	1	119173-49020	HOSE,MIXING IN		1			1			1
28	1	119175-13300	BEND, EXH (B=E/#A0461)		1						W
28-1	1	119175-13301	BEND,EXH (B=E/#A0461)		1			1			F 2
29	2	119175-13320	PAD (B=E/#A0461)		1			1			1 W
30	1	119175-13700	COVER (B=E/#A0461)		1			1			1 W
31	1	119175-48640	JOINT,CW (B=E/#A0461)		1						W
I 31-1	1	119175-48660	JOINT,CW (B=E/#A0836)		1			1			R
32	1	119175-49500	RUBBER ELBOW		1						W

++ CONTINUE ++

Fig.18.MIXING ELBOW & EXHAUST BEND

Y00R4782

Fig. 18 ミキシングエルボ&排気バンド  
MIXING ELBOW & EXHAUST BEND



(A)=4LHA-STE(P) (D)=4LHA-DTZE(P)  
(B)=4LHA-STZE(P) (E)=4LHA-HTZE(P)  
(C)=4LHA-DTE(P) (F)=4LHA-HTZE(P)

REF.	LEV.	PARTS NO.	DESCRIPTION	Q'TY						I	R	
				(A)	(B)	(C)	(D)	(E)	(F)			
			(B=E/#A0461)									
I	32-1	1	119175-49530 RUBBER ELBOW		1		1					R
			(B=E/#A0836)									
	33	1	23000-127000 CLAMP 127,HOSE		4		4					W
			(B=E/#A0461)									
	34	1	23000-035000 CLAMP 35		2		2					W
			(B=E/#A0461)									
	35	1	119175-13620 EXHAUST PIPE		1		1					W
			(B=E/#A0461)									
	36	1	119175-13800 RUBBER JOINT		1		1					W
			(B=E/#A0461)									
	37	1	119175-49510 RUBBER ELBOW		1							W
			(B=E/#A0461)									
I	37-1	1	119175-49540 RUBBER ELBOW		1		1					R
			(B=*2001.04)									
	38	1	119175-13510 BRACKET		1							W
			(B=E/#A0461)									
	38-1	1	119175-13511 BRACKET		1		1					S
			(B=E/#A0463)									
	39	1	119172-13520 BRACKET								1	
	40	1	26106-080102 BOLT M 8X 10 PLATED		3		3					W
			(B=E/#A0461)									
	41	1	26106-080122 BOLT M 8X 12 PLATED								3	
	42	1	26106-080202 BOLT M 8X 20 PLATED		4		4					
	43	1	26106-080252 BOLT M 8X 25 PLATED								4	
	44	1	26106-100202 BOLT M10X 20 PLATED		3		3					W
			(B=E/#A0461)									
	45	1	26106-100162 BOLT M10X 16 PLATED								3	
	46	1	119175-13520 BRACKET		1							W
			(B=E/#A0461)									
	46-1	1	119175-13521 BRACKET		1		1				1	S
			(B=E/#A0461)									

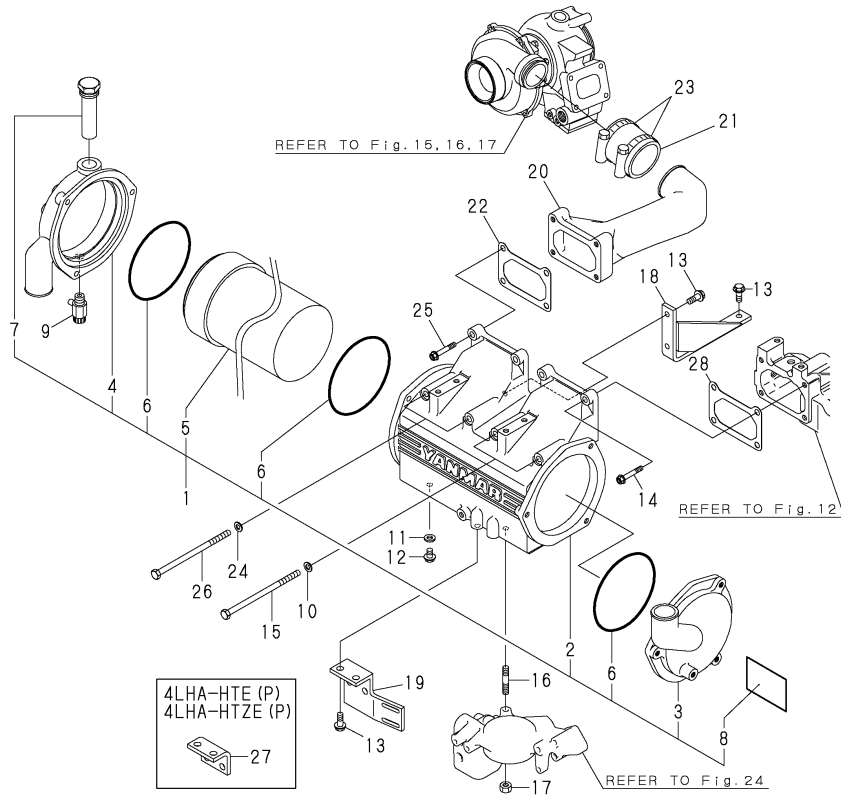
Remarks  
 (1)OPTIONAL  
 (2)INTERCHANGEABLE BY SIMULTANEOUS  
 REPLACEMENT WITH REF.NO.38-1,46-1

Fig.19.AIR COOLER

(A)=4LHA-STE(P)  
 (B)=4LHA-STZE(P)  
 (C)=4LHA-DTE(P)  
 (D)=4LHA-DTZE(P)  
 (E)=4LHA-HTE(P)  
 (F)=4LHA-HTZE(P)

Y00R4782

Fig. 19 インタークーラ  
 AIR COOLER



REF.	LEV.	PARTS NO.	DESCRIPTION	QTY						I	R
				(A)	(B)	(C)	(D)	(E)	(F)		
1	1	119175-18100	INTERCOOLER ASSY	1	1	1	1	1	1		
2	2	119175-18110	CYLINDER	1	1	1	1	1	1		
3	2	119175-18120	WATER BOX	1	1	1	1	1	1		
4	2	119175-18130	WATER BOX	1	1	1	1	1	1		
5	2	119175-18140	TUBESTACK	1	1	1	1	1	1		
6	2	119773-18350	O-RING	3	3	3	3	3	3		
7	2	119574-18790	ZINC, ANTI-CORROSIVE	1	1	1	1	1	1		
8	2	119175-18160	LABEL	1	1	1	1	1	1		W
		(A=E/#50959) (B=E/#A0611)									
9	1	120130-49350	COCK 1/4	1	1						
9-1	1	119620-49290	COCK ASSY 1/4	1	1	1	1	1	1		N
		(A=E/#51115) (B=E/#A0634)									
10	1	22137-080000	WASHER 8, POLISHED	2	2	2	2	2	2		
11	1	23414-080000	GASKET 8, ROUND	1	1	1	1	1	1		
12	1	26106-080122	BOLT M 8X 12 PLATED	1	1	1	1	1	1		
13	1	26106-080202	BOLT M 8X 20 PLATED	8	8	8	8	8	8		
14	1	26106-080302	BOLT M 8X 30 PLATED	2	2	2	2	2	2		
15	1	26116-081252	BOLT M 8X125 PLATED	2	2	2	2	2	2		
16	1	26216-080452	STUD M 8X 45 PLATED	1	1						
16-1	1	26226-080452	STUD M 8X 45 PLATED	1	1	1	1	1	1		N
		(A=E/#50507) (B=E/#A0421)									
17	1	26306-080002	NUT	1	1	1	1	1	1		
18	1	119175-18520	SUPPORT,INTERCOOLER	1	1	1	1	1	1		
19	1	119175-18530	SUPPORT B,INTERCOOL	1	1						
I 19-1	1	119175-18550	SUPPORT	1	1	1	1	1	1		R
		(A=E/#52121) (B=#2001.06)									
20	1	119175-18150	DUCT, (I/C IN	1	1	1	1	1	1		
21	1	119175-18250	HOSE,AIR DUCT	1	1	1	1	1	1		
22	1	119175-18590	GASKET,INTERCOOL	1	1	1	1	1	1		
23	1	127488-18910	CLIP	2	2	2	2	2	2		
24	1	22137-080000	WASHER 8, POLISHED	2	2	2	2	2	2		
25	1	26106-080302	BOLT M 8X 30 PLATED	2	2	2	2	2	2		
26	1	26116-081252	BOLT M 8X125 PLATED	2	2	2	2	2	2		
27	1	119172-18570	SUPPORT C,INTERCOOL							1	1
28	1	119175-18590	GASKET,INTERCOOL	1	1	1	1	1	1		

Fig.20.CRANKSHAFT

(A)=4LHA-STE(P) (D)=4LHA-DTZE(P)  
 (B)=4LHA-STZE(P) (E)=4LHA-HTE(P)  
 (C)=4LHA-DTE(P) (F)=4LHA-HTZE(P)

Y00R4782

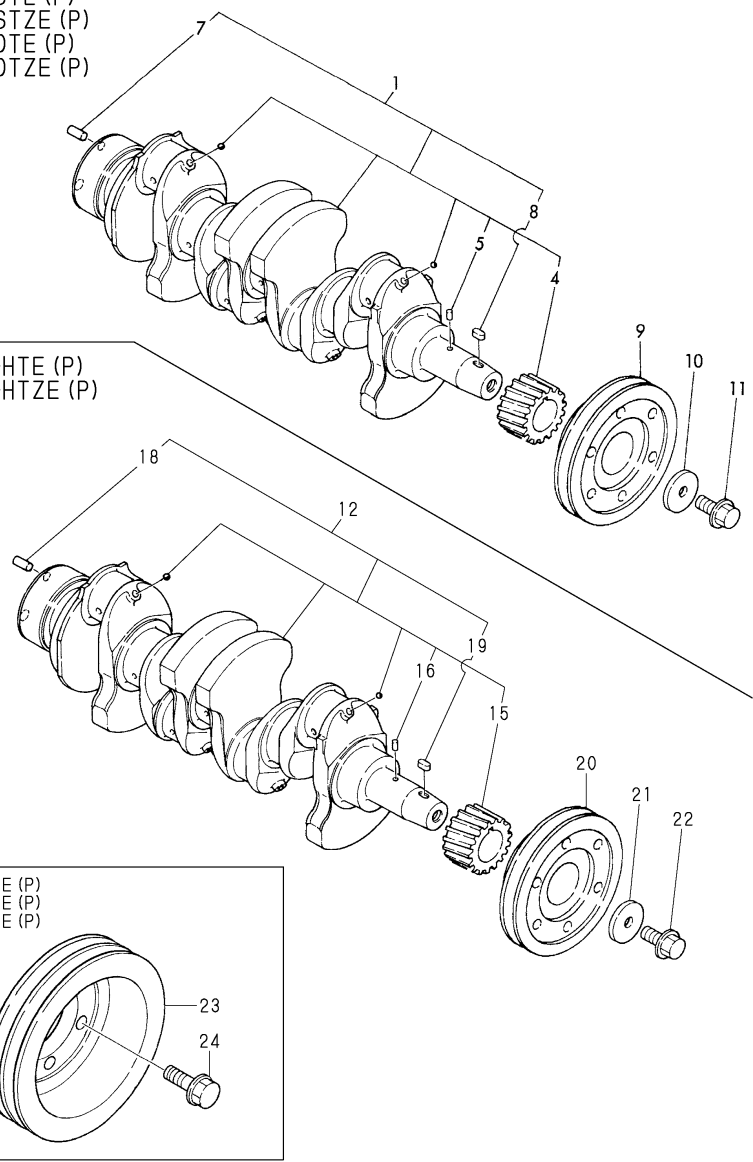
Fig. 20 クランクシャフト  
 CRANKSHAFT

4LHA-STE (P)  
 4LHA-STZE (P)  
 4LHA-DTE (P)  
 4LHA-DTZE (P)

4LHA-HTE (P)  
 4LHA-HTZE (P)

4LHA-STE (P)  
 4LHA-DTE (P)  
 4LHA-HTE (P)

オプション  
 OPTIONAL



REF.	LEV.	PARTS NO.	DESCRIPTION	QTY						I	R
				(A)	(B)	(C)	(D)	(E)	(F)		
1	1	719184-21700	CRANKSHAFT ASSY.	1	1	1	1				
4	3	121850-21200	GEAR, CRANKSHAFT	1	1	1	1				
5	3	121850-21290	PARALLEL PIN	1	1	1	1				
7	2	121850-21920	PARALLEL PIN 10X22	1	1	1	1				
8	2	22512-070140	KEY 7X 14	1	1	1	1				
9	1	119000-21650	V-PULLEY, CRANKSHAFT	1	1	1	1				
10	1	121850-21660	WASHER	1	1	1	1				
11	1	121850-21680	BOLT, V-PULLEY	1	1	1	1				
12	1	719171-21701	CRANKSHAFT ASSY. (DV)							1	1
15	3	121850-21200	GEAR, CRANKSHAFT							1	1
16	3	121850-21290	PARALLEL PIN							1	1
18	2	121850-21920	PARALLEL PIN 10X22							1	1
19	2	22512-070140	KEY 7X 14							1	1
20	1	119000-21650	V-PULLEY, CRANKSHAFT							1	1
21	1	121850-21660	WASHER							1	1
22	1	121850-21680	BOLT, V-PULLEY							1	1
23	1	119171-21650	V-PULLEY D=180 A-2	1		1				1	
24	1	26106-100302	BOLT M10X 30 PLATED	6		6				6	

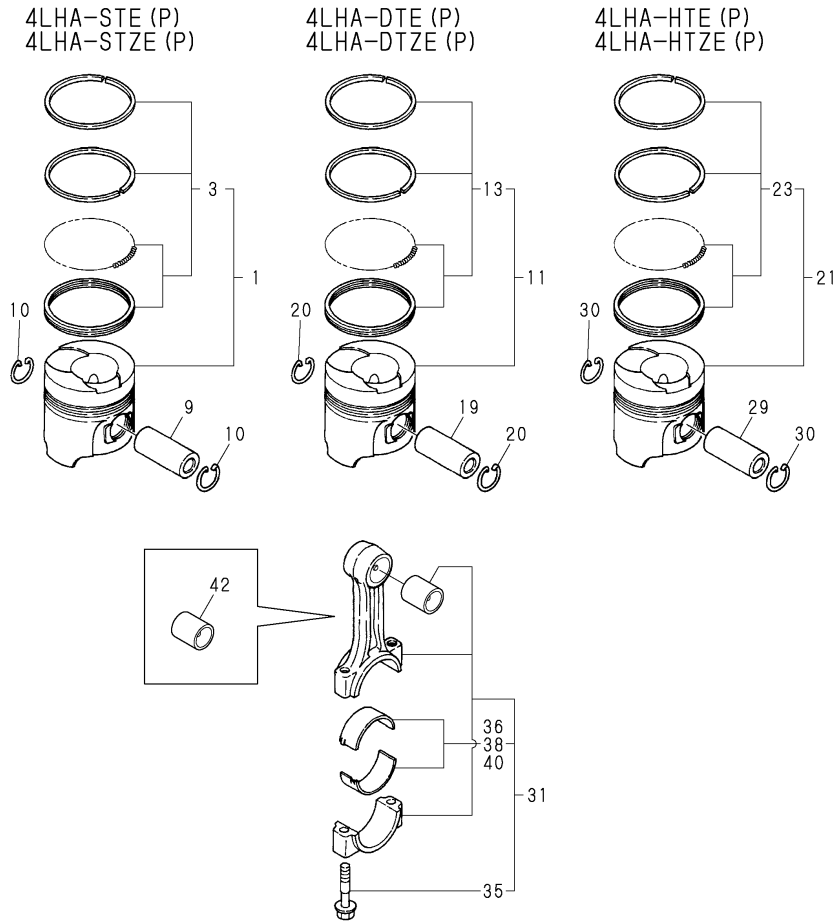


(A)=4LHA-STE(P)  
 (B)=4LHA-STZE(P)  
 (C)=4LHA-DTE(P)  
 (D)=4LHA-DTZE(P)  
 (E)=4LHA-HTE(P)  
 (F)=4LHA-HTZE(P)

Fig.21.PISTON & CONNECTING ROD

Y00R4782

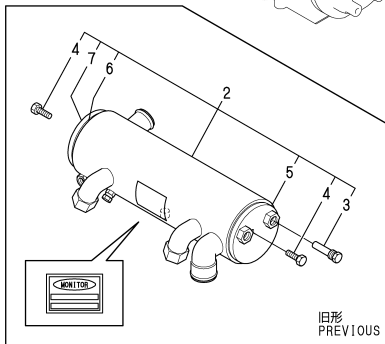
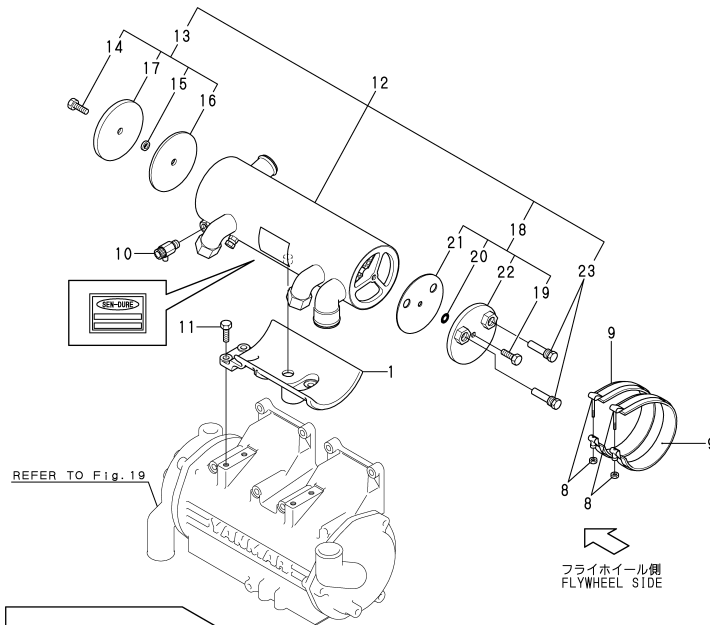
Fig. **21** ピストン&コネクティングロッド  
 PISTON & CONNECTING ROD



REF.	LEV.	PARTS NO.	DESCRIPTION	QTY						I	R
				(A)	(B)	(C)	(D)	(E)	(F)		
1	1	119181-22080	PISTON W/RINGS	4	4						
I 1-1	1	119181-22081	PISTON W/RINGS	4	4						N
		(A=E/#51702) (B=E/#A0860)									
3	2	719187-22502	RING SET	4	4						
9	1	119173-22300	PIN, PISTON	4	4						
10	1	22252-000370	CIRCLIP 37	8	8						
11	1	119173-22051	PISTON W/RINGS				4	4			
13	2	719187-22502	RING SET				4	4			
19	1	119173-22300	PIN, PISTON				4	4			
20	1	22252-000370	CIRCLIP 37				8	8			
21	1	119172-22100	PISTON W/RINGS						4	4	
23	2	719187-22502	RING SET						4	4	
29	1	119173-22300	PIN, PISTON						4	4	
30	1	22252-000370	CIRCLIP 37						8	8	
31	1	719174-23100	ROD ASSY, CONNECTING	4	4	4	4	4	4	4	
35	2	121850-23200	BOLT, ROD	8	8	8	8	8	8	8	
36	2	719174-23600	CRANK-PIN METAL	4	4	4	4	4	4	4	
38	1	719172-23610	METAL,PIN US=0.25						4	4	
40	1	119172-23310	METAL,PIN US=0.50						4	4	

Fig.22.LUB.OIL COOLER

P/C NEWS No:Y00R4782-8  
PUBLISHED:2007/6



(A)=4LHA-STE(P) (D)=4LHA-DTZE(P)  
(B)=4LHA-STZE(P) (E)=4LHA-HTE(P)  
(C)=4LHA-DTE(P) (F)=4LHA-HTZE(P)

REF.	LEV.	PARTS NO.	DESCRIPTION	QTY						I	R
				(A)	(B)	(C)	(D)	(E)	(F)		
1	1	119175-33150	BRACKET,LO COOLER	1	1	1	1	1	1		
I	2	119175-33200	LUB.OIL COOLER	1	1	1	1	1	1	1	4
3	2	119574-44150	ZINC, ANTI-CORROSIVE	2	2	2	2	2	2	2	
I	4	2	119574-44180	BOLT,UNC 3/8	2	2	2	2	2	2	1
I	5	2	119175-33080	GASKET	1	1	1	1	1	1	2
I	6	2	119773-33080	GASKET F	1	1	1	1	1	1	3
I	7	2	119773-33060	COVER B CMP	1	1	1	1	1	1	3
8	1	119775-33200	CLAMP,T-BOLT	2	2						
8-1	1	119175-44200	CLAMP,T-BOLT	2	2	2	2	2	2	2	N
		(A=E/#50625) (B=E/#A0461)									
9	1	119775-33620	RUBBER SEAT	2	2	2	2	2	2	2	
10	1	120130-49350	COCK 1/4	1	1						
10-1	1	119620-49290	COCK ASSY 1/4	1	1	1	1	1	1	1	N
		(A=E/#51115) (B=E/#A0634)									
11	1	26106-080252	BOLT M 8X 25 PLATED	4	4	4	4	4	4	4	
I	12	1	119175-33200	LUB.OIL COOLER	1	1	1	1	1	1	4
I	13	2	119175-33320	SPARE COVER KIT2	1	1	1	1	1	1	W
		(A=*2007.04) (B=*2007.04) (C=*2007.04) (D=*2007.04) (E=*2007.04) (F=*2007.04)									
I	14	3	119175-33330	BOLT UNC 3/8-16X5/8	1	1	1	1	1	1	
I	15	3	119175-33360	RUBBER GASKET	1	1	1	1	1	1	
I	16	3	119175-33370	4 INCH GASKET	1	1	1	1	1	1	
I	17	3	119175-33390	SEPARATOR COVER	1	1	1	1	1	1	
I	18	2	119175-33310	SPARE COVER KIT1	1	1	1	1	1	1	W
		(A=*2007.04) (B=*2007.04) (C=*2007.04) (D=*2007.04) (E=*2007.04) (F=*2007.04)									
I	19	3	119175-33340	BOLT UNC 3/8-16X3/4	1	1	1	1	1	1	
I	20	3	119175-33350	O-RING	1	1	1	1	1	1	
I	21	3	119175-33380	4 INCH GASKET, 2H	1	1	1	1	1	1	
I	22	3	119175-33400	SEPARATOR COVER,CAST	1	1	1	1	1	1	
I	23	2	119574-44150	ZINC, ANTI-CORROSIVE	2	2	2	2	2	2	

Remarks

(1)THERE ARE A KIT AND INTERCHANGEABILITY OF NO.13 OR NO.18.(NOT INTERCHANGEABLE SINGLE PART.) (2)THERE ARE A KIT AND INTERCHANGEABILITY OF NO.18.(NOT INTERCHANGEABLE SINGLE PART.) (3)THERE ARE A KIT AND INTERCHANGEABILITY OF NO.13.(NOT INTERCHANGEABLE SINGLE PART.) (4)IT IS ABOUT 2002 MANUFACTURER CHANGE.(MONITOR CO. -> SEN-DURE CO.)THE PART NUMBER DOESN'T HAVE THE CHANGE.

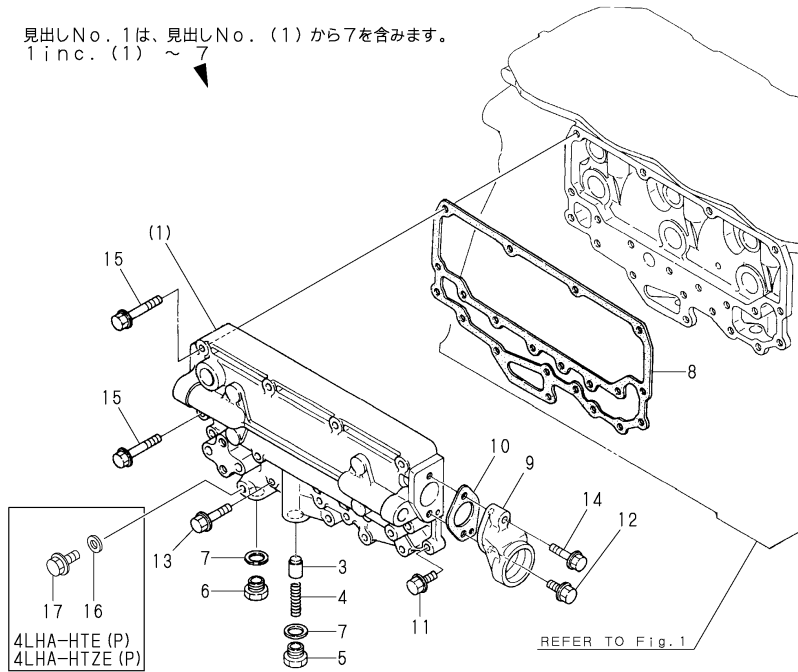
Fig.23.LUB.OIL COOLER HOUSING

(A)=4LHA-STE(P) (D)=4LHA-DTZE(P)  
 (B)=4LHA-STZE(P) (E)=4LHA-HTE(P)  
 (C)=4LHA-DTE(P) (F)=4LHA-HTZE(P)

Y00R4782

Fig. 23 潤滑油クーラケース  
 LUB.OIL COOLER HOUSING

見出しNo. 1は、見出しNo. (1) から7を含みます。  
 1inc. (1) ~ 7



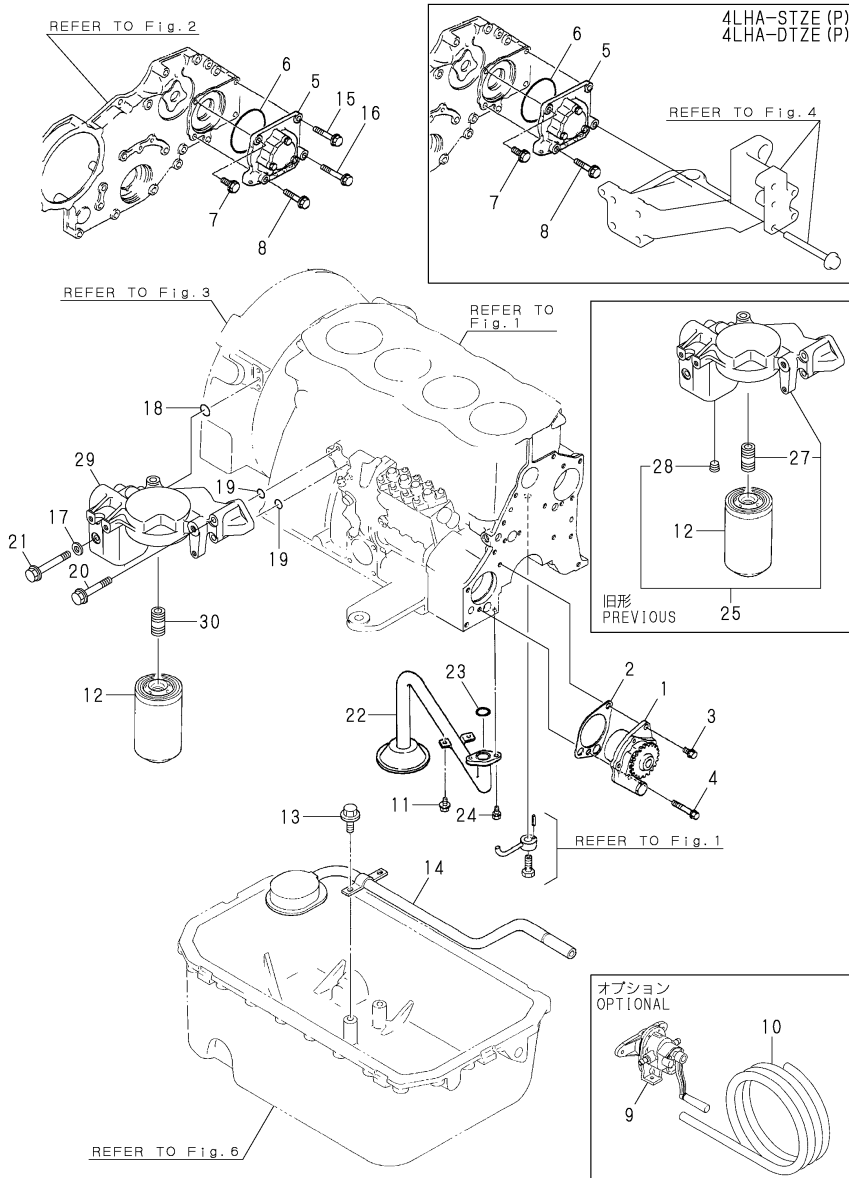
REF.	LEV.	PARTS NO.	DESCRIPTION	QTY						I	R
				(A)	(B)	(C)	(D)	(E)	(F)		
1	1	719171-33100	OIL COOLER HOUSING	1	1	1	1	1	1		
3	2	119000-34030	VALVE, OIL PRESS	1	1	1	1	1	1		
4	2	124411-35520	SPRING	1	1	1	1	1	1		
5	2	123672-84530	RETAINER	1	1	1	1	1	1		
6	2	123672-84530	RETAINER	1	1	1	1	1	1		
7	2	23414-180000	GASKET 18, ROUND	2	2	2	2	2	2		
8	1	119000-33022	GASKET, (NON-ASB.)	1	1	1	1	1	1		
9	1	119000-33030	BEND	1	1	1	1	1	1		
10	1	119000-33041	GASKET,BEND(NON-ASB.)	1	1	1	1	1	1		
11	1	26106-080202	BOLT M 8X 20 PLATED	3	3	3	3	3	3		
12	1	26106-080202	BOLT M 8X 20 PLATED	1	1	1	1	1	1		
13	1	26106-080352	BOLT M 8X 35 PLATED	8	8	8	8	8	8		
14	1	26106-080352	BOLT M 8X 35 PLATED	1	1	1	1	1	1		
15	1	26106-080502	BOLT M 8X 50 PLATED	10	10	10	10	10	10		
16	1	23414-080000	GASKET 8, ROUND						1	1	
17	1	26106-080122	BOLT M 8X 12 PLATED						1	1	

Fig.24.LUB.OIL SYSTEM

(A)=4LHA-STE(P)  
 (B)=4LHA-STZE(P)  
 (C)=4LHA-DTE(P)  
 (D)=4LHA-DTZE(P)  
 (E)=4LHA-HTZE(P)  
 (F)=4LHA-HTZE(P)

Y00R4782

Fig.24 潤滑油システム  
 LUB.OIL SYSTEM



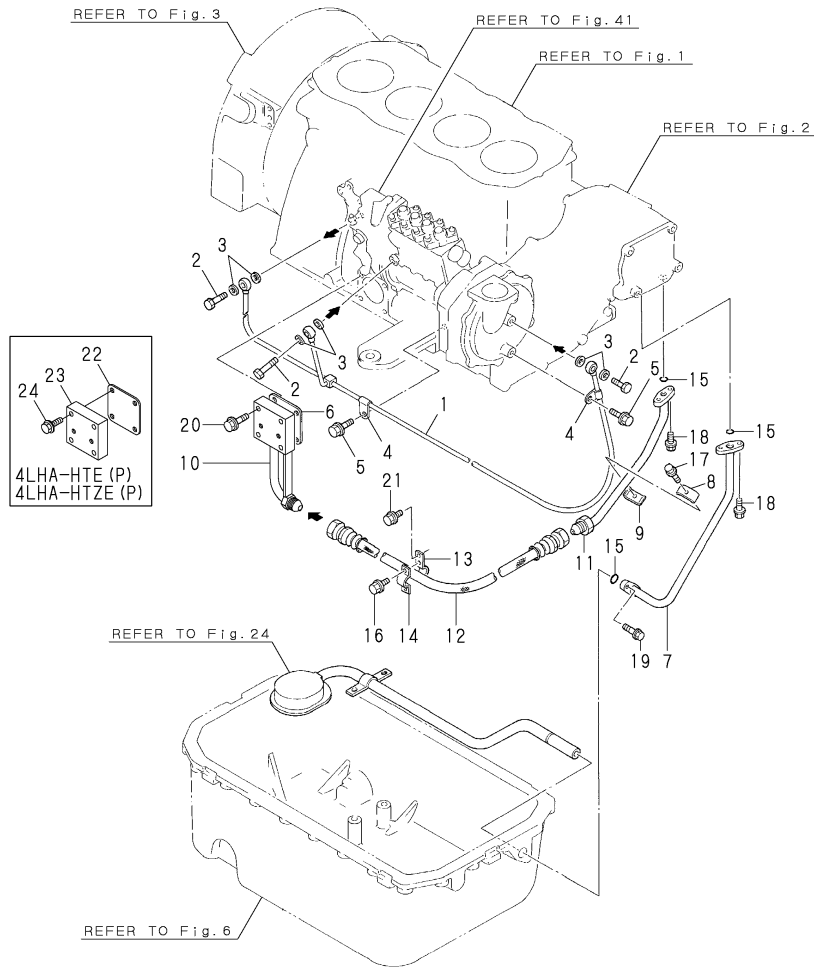
REF.	LEV.	PARTS NO.	DESCRIPTION	QTY						I	R
				(A)	(B)	(C)	(D)	(E)	(F)		
1	1	119000-32001	PUMP ASSY, LUB.OIL	1	1	1	1	1	1		
2	1	119000-32020	GASKET, L.O.PUMP	1	1	1	1	1	1		
3	1	26106-080162	BOLT M 8X 16 PLATED	1	1	1	1	1	1		
4	1	26106-080502	BOLT M 8X 50 PLATED	1	1	1	1	1	1		
5	1	119187-32000	LUB. OIL PUMP	1	1	1	1	1	1		
6	1	24341-000800	O-RING 1A S-80.0	1	1	1	1	1	1		
7	1	26106-080252	BOLT M 8X 25 PLATED	1	1	1	1	1	1		
8	1	26106-080452	BOLT M 8X 45 PLATED	1	1	1	1	1	1		
9	1	124413-39100	PUMP, OIL SUMP	1	1	1	1	1	1	1	1
10	1	43720-001220	PIPE	1	1	1	1	1	1	1	1
11	1	26106-080162	BOLT M 8X 16 PLATED	2	2	2	2	2	2	2	2
12	1	127695-35150	STRAINER, LUB. OIL	1	1	1	1	1	1	1	1
13	1	26106-060122	BOLT M 6X 12 PLATED	2	2	2	2	2	2		
14	1	119187-35100	PIPE, OIL INLET	1	1	1	1	1	1		
15	1	26106-080552	BOLT M 8X 55 PLATED	1	1						
16	1	26106-080702	BOLT M 8X 70 PLATED	1	1						
17	1	22137-080000	WASHER 8, POLISHED	2	2	2	2	2	2	2	2
18	1	24311-000120	O-RING 1A P 12.0	1	1	1	1	1	1	1	1
19	1	24311-000180	O-RING 1A P-18.0	2	2	2	2	2	2	2	2
20	1	26106-081102	BOLT M 8X110 PLATED	2	2	2	2	2	2	2	2
21	1	26106-081152	BOLT M 8X115 PLATED	2	2	2	2	2	2	2	2
22	1	119100-35090	PIPE, OIL INLET	1	1	1	1	1	1	1	1
23	1	24311-000220	O-RING 1A P-22.0	1	1	1	1	1	1	1	1
24	1	26013-080162	BOLT W/WASHER M8X16	2	2	2	2	2	2	2	2
I	25	119175-35200	BRACKET,LO FILTR CMP	1	1						Z
		(A=E/#51645) (B=E/#A0836)									
I	27	119175-35180	STUD,LUB.OIL FILTER	1	1						Z
		(A=E/#51645) (B=E/#A0836)									
	28	23871-030000	PLUG PT3/8,SCREW	2	2						
	28-1	23876-030000	PLUG PT3/8,SCREW	2	2						N
		(A=E/#50582) (B=E/#A0421)									
I	28-2	23876-030000	PLUG PT3/8,SCREW	2	2						Z
		(A=E/#51645) (B=E/#A0836)									
I	29	119175-35150	BRACKET,LO FILTER	1	1	1	1	1	1	1	W
		(A=E/#51645) (B=E/#A0836)									
I	30	119175-35180	STUD,LUB.OIL FILTER	1	1	1	1	1	1	1	W
		(A=E/#51645) (B=E/#A0836)									

Fig.25.LUB.OIL PIPE

(A)=4LHA-STE(P) (D)=4LHA-DTZE(P)  
 (B)=4LHA-STZE(P) (E)=4LHA-HTE(P)  
 (C)=4LHA-DTE(P) (F)=4LHA-HTZE(P)

Y00R4782

Fig. **25** 潤滑油パイプ  
 LUB.OIL PIPE



REF.	LEV.	PARTS NO.	DESCRIPTION	QTY						I	R
				(A)	(B)	(C)	(D)	(E)	(F)		
1	1	119181-39400	PIPE, LUB. OIL	1	1						
1-1	1	119181-39401	PIPE, LUB. OIL	1	1	1	1				N
		(A=E/#50919) (B=E/#A5721)									
2	1	129198-59540	BOLT 8, PIPE JOINT	3	3	3	3				
3	1	22190-080002	SEAL WASHER 8S	6	6	6	6				
4	1	23297-060081	RETAINER 6X 8	2	2	2	2				
5	1	26106-080122	BOLT M 8X 12 PLATED	2	2	2	2				
6	1	119187-35160	GASKET	1	1	1	1				
7	1	119173-39300	PIPE, LUB. OIL	1	1	1	1				
8	1	119187-39320	CLAMP, PIPE	1	1	1	1				
9	1	119187-39330	CLAMP, PIPE	1	1	1	1				
10	1	119175-39350	PIPE, LUB. OIL	1	1	1	1				
11	1	119187-39360	PIPE, LUB. OIL	1	1	1	1				
12	1	119187-39370	PIPE, LUB. OIL	1	1	1	1				
13	1	119181-39500	RETAINER A, PIPE	1	1	1	1				
14	1	119173-39510	RETAINER B, PIPE	1	1	1	1				
15	1	24311-000120	O-RING 1A P 12.0	3	3	3	3				
16	1	26106-060122	BOLT M 6X 12 PLATED	2	2	2	2				
17	1	26106-060202	BOLT M 6X 20 PLATED	1	1	1	1				
18	1	26106-080162	BOLT M 8X 16 PLATED	4	4	4	4				
19	1	26106-080252	BOLT M 8X 25 PLATED	2	2	2	2				
20	1	26106-080302	BOLT M 8X 30 PLATED	4	4	4	4				
21	1	26106-100162	BOLT M10X 16 PLATED	1	1	1	1				
22	1	119187-35160	GASKET							1	1
23	1	119172-35170	CAP,LUB.OIL							1	1
24	1	26106-080302	BOLT M 8X 30 PLATED							14	14

Fig.26.LUB.OIL PIPE(TURBOCHARGER)

(A)=4LHA-STE(P) (D)=4LHA-DTZE(P)  
 (B)=4LHA-STZE(P) (E)=4LHA-HTE(P)  
 (C)=4LHA-DTE(P) (F)=4LHA-HTZE(P)

REF.	LEV.	PARTS NO.	DESCRIPTION	QTY						I	R	
				(A)	(B)	(C)	(D)	(E)	(F)			
1	1	119187-39610	PIPE, LUB. OIL	1	1	1	1	1	1	1		
2	1	119175-39660	PIPE, LUB. OIL	1	1	1	1					
3	1	121252-39150	BOLT, PIPE JOINT	2	2	2	2	2	2			
4	1	119175-39820	HOSE, LUB.OIL	1	1	1	1	1	1			
5	1	23000-025000	CLAMP 25	2	2	2	2	2	2			
6	1	23414-100000	GASKET 10, ROUND	4	4	4	4	4	4			
7	1	24316-000200	O-RING 4D P-20.0	1	1	1	1	1	1			
8	1	26106-060162	BOLT M 6X 16 PLATED	2	2	2	2	2	2			
9	1	26106-080162	BOLT M 8X 16 PLATED	1	1	1	1	1	1			
10	1	119172-39660	PIPE, LUB. OIL							1	1	

Y00R4782

Fig. 26 潤滑油パイプ (タービン)  
 LUB. OIL PIPE (TURBOCHARGER)

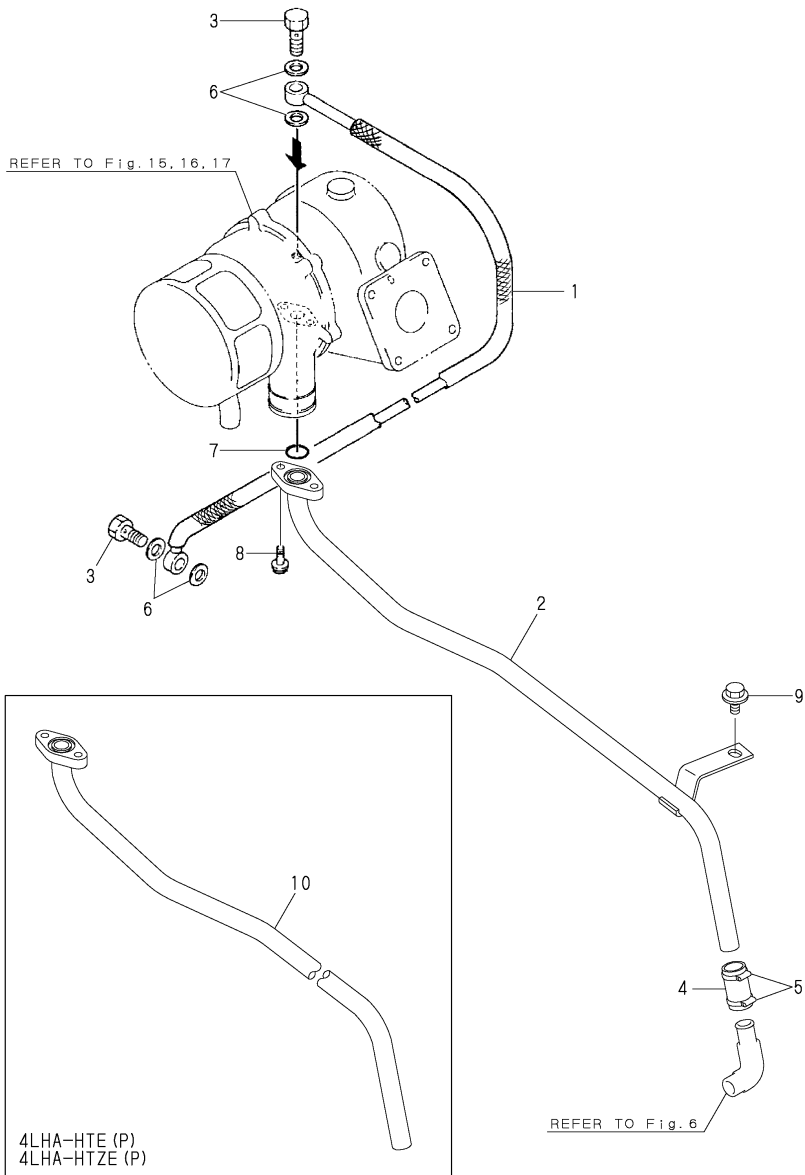


Fig.27.LUB.OIL PIPE(COOLER)

(A)=4LHA-STE(P)  
(B)=4LHA-STZE(P)  
(C)=4LHA-DTE(P)

(D)=4LHA-DTZE(P)  
(E)=4LHA-HTE(P)  
(F)=4LHA-HTZE(P)

REF.	LEV.	PARTS NO.	DESCRIPTION	QTY						I	R
				(A)	(B)	(C)	(D)	(E)	(F)		
1	1	119175-39050	PIPE,LO COOLER OUT	1	1	1	1	1	1		
2	1	119175-39060	PIPE,LO COOLER IN	1	1	1	1	1	1		
3	1	119574-39200	JOINT,LOT	2	2	2	2	2	2		
4	1	26106-060122	BOLT M 6X 12 PLATED	4	4	4	4	4	4		
5	1	26106-080162	BOLT M 8X 16 PLATED	2	2	2	2	2	2		
6	1	119175-39120	RETAINER A, PIPE	1	1	1	1	1	1		
7	2	119175-39160	RETAINER A1, PIPE	1	1	1	1	1	1		
8	2	119175-39170	RETAINER A2, PIPE	1	1	1	1	1	1		
9	1	119175-39140	RETAINER C, PIPE	1	1	1	1	1	1		
10	2	119175-39180	RETAINER C1, PIPE	1	1	1	1	1	1		
11	2	119175-39190	RETAINER C2, PIPE	1	1	1	1	1	1		

Y00R4782

Fig. 27 潤滑油パイプ (クーラ)  
LUB. OIL PIPE (COOLER)

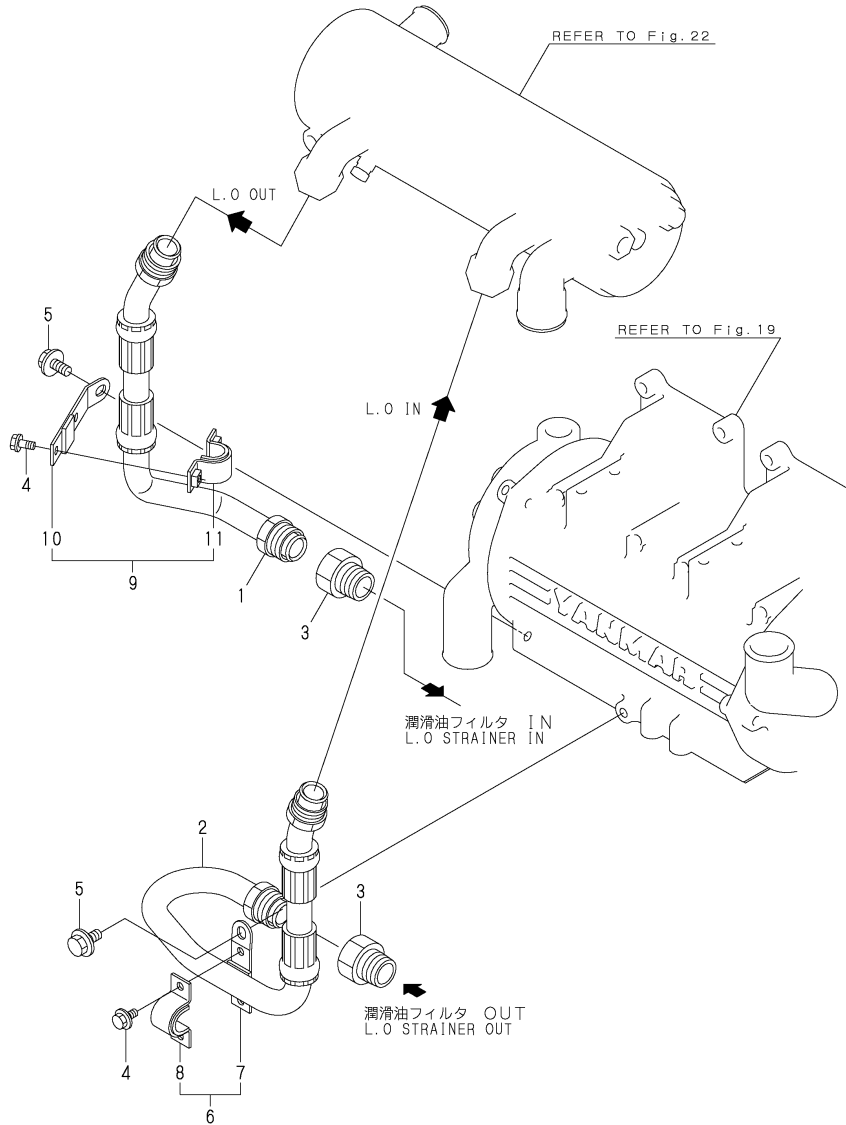


Fig.28.C.S.W.PUMP(4LHA-ST/DT(Z)E(P))

P/C NEWS No.:Y00R4782-7  
 PUBLISHED : 2007/3

(A)=4LHA-STE(P) (D)=4LHA-DTZE(P)  
 (B)=4LHA-STZE(P) (E)=4LHA-HTE(P)  
 (C)=4LHA-DTE(P) (F)=4LHA-HTZE(P)

REF.	LEV.	PARTS NO.	DESCRIPTION	QTY						I	R
				(A)	(B)	(C)	(D)	(E)	(F)		
1	1	119175-42500	PUMP,SEA WATER	1	1	1	1				
2	2	119175-42550	SPACER	1	1	1	1				
3	2	119175-42560	COVER	1	1	1	1				
4	2	119175-42570	O-RING	1	1	1	1				
5	2	127610-42200	IMPELLER, C. WATER	1	1	1	1				
I	5-1	2	120650-42310	IMPELLER	1	1	1	1			N
		(A=*2007.02)	(B=*2007.02)	(C=*2007.02)	(D=*2007.02)						
6	2	119175-42510	SHAFT	1	1	1	1				
7	2	119175-42520	PLATE	1	1	1	1				
8	2	119175-42530	BALL BEARING	2	2	2	2				
9	2	119175-42540	RETAINER, BEARING	1	1	1	1				
10	2	119175-42580	LIP SEAL	1	1	1	1				
11	2	129670-42550	WASHAER	1	1	1	1				
12	2	119175-42610	O-RING	1	1	1	1				
13	2	X053421	CIRCLIP	1	1	1	1				
14	2	129670-42560	MECHANICAL SHEEL	1	1	1	1				
15	2	X0534105	CIRCLIP	1	1	1	1				
16	2	119175-42620	SCREW	6	6	6	6				
17	1	119100-26200	GEAR Z=27	1	1	1	1				
18	1	24101-060064	BALL BEARING	2	2	2	2				
19	1	24341-000800	O-RING 1A S-80.0	1	1	1	1				
20	1	26106-080202	BOLT M 8X 20 PLATED	2	2	2	2				
21	1	26306-080002	NUT	2	2	2	2				

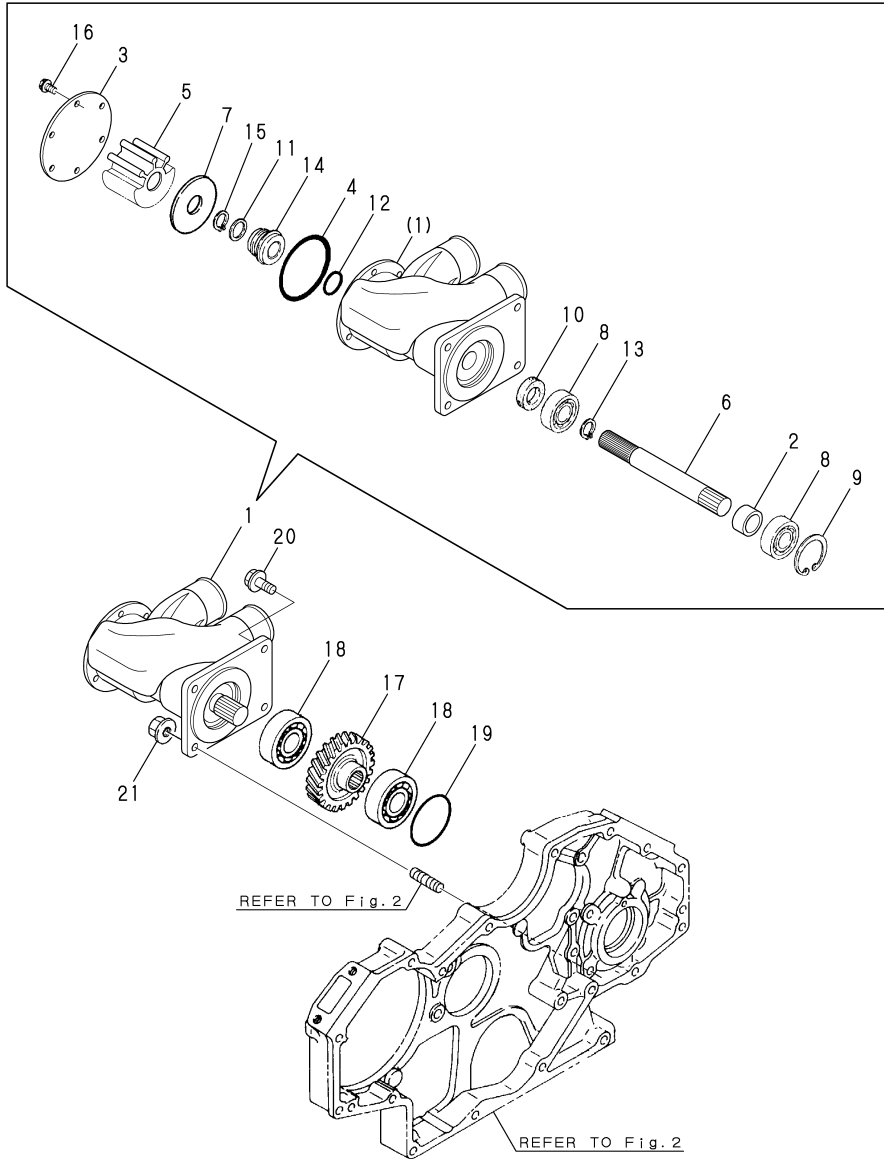


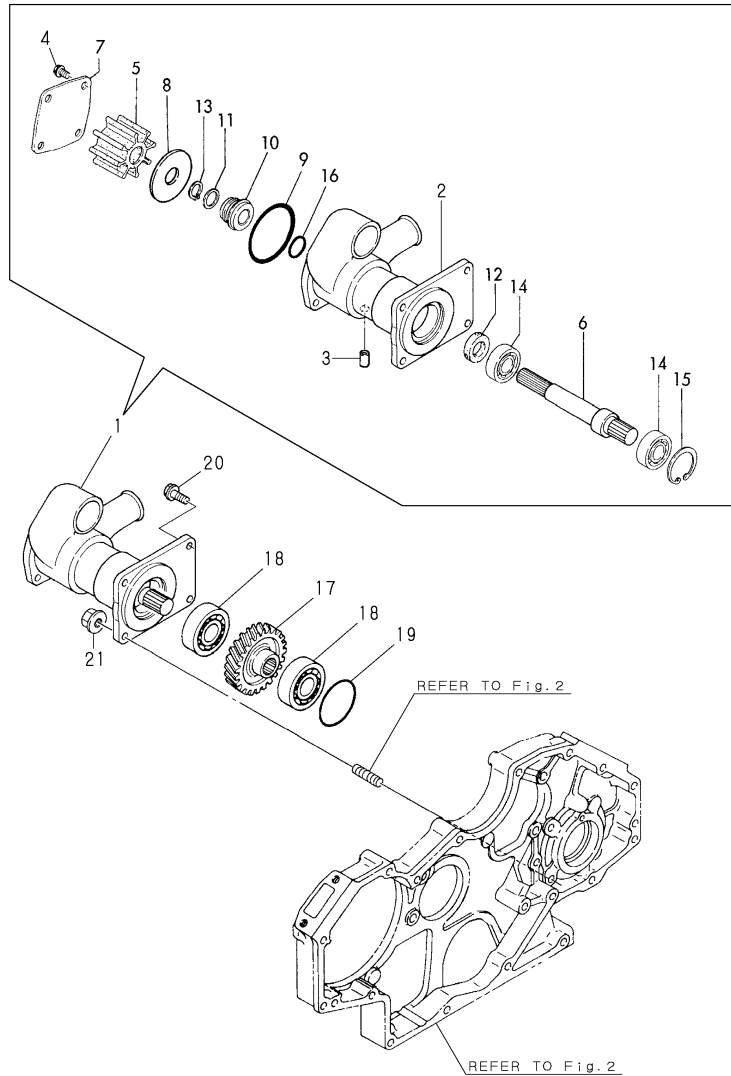


Fig.29.C.S.W.PUMP(4LHA-HT(Z)E(P))

(A)=4LHA-STE(P) (D)=4LHA-DTZE(P)  
 (B)=4LHA-STZE(P) (E)=4LHA-HTE(P)  
 (C)=4LHA-DTE(P) (F)=4LHA-HTZE(P)

Y00R4782

Fig. 29 冷却水ポンプ (海水, 4LHA-HT (Z) E (P) )  
 C. S. W. PUMP (4LHA-HT (Z) E (P) )



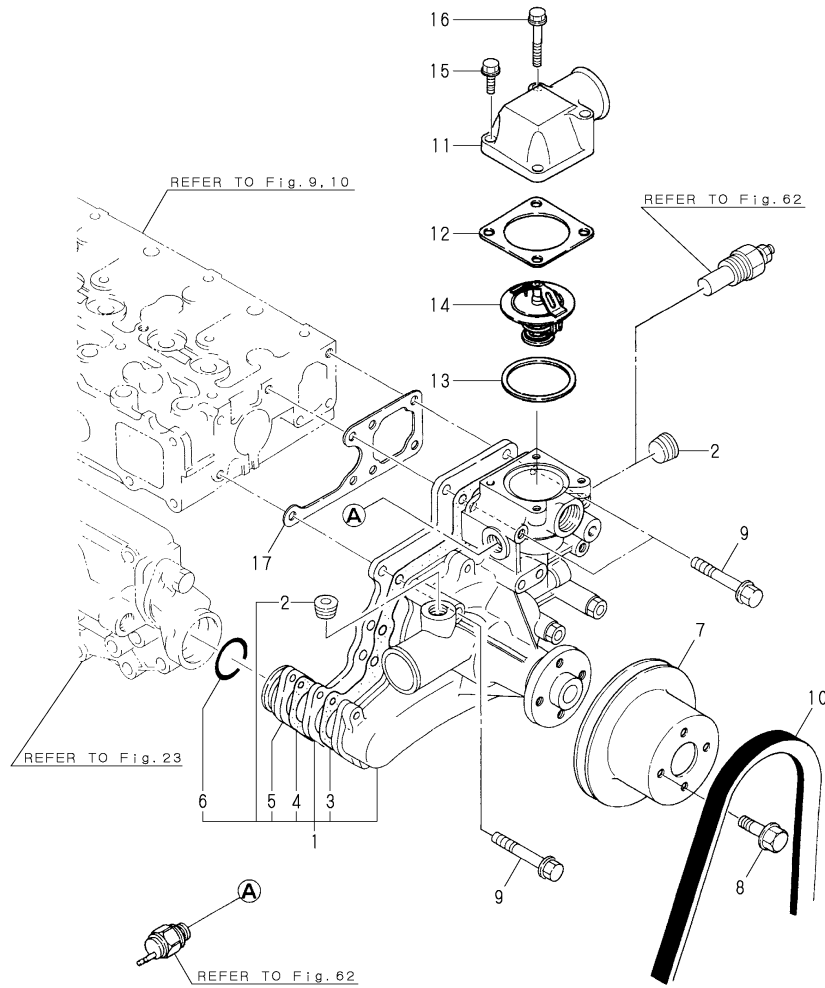
REF.	LEV.	PARTS NO.	DESCRIPTION	QTY						I	R		
				(A)	(B)	(C)	(D)	(E)	(F)				
1	1	119171-42500	PUWP ASSY, C. WATER							1	1		
2	2	119171-42510	BODY, PUMP							1	1		
3	2	126650-42301	JOINT							1	1		
4	2	26113-060102	BOLT M 6X 10							4	4		
5	2	123325-42020	IMPELLER, C. WATER							1	1		
6	2	119171-42520	SHAFT, IMPELLER							1	1		
7	2	119171-42530	COVER							1	1		
8	2	119171-42540	PLATE							1	1		
9	2	24321-000700	O-RING 1A G70.0,NBR							1	1		
10	2	123472-42060	SEAL, MECHANICAL							1	1		
11	2	123472-42090	COLLAR							1	1		
12	2	123472-42150	OIL SEAL TC203508							1	1		
13	2	123472-42140	CIRCLIP							1	1		
14	2	24104-062044	BALL BEARING							2	2		
15	2	22252-000470	CIRCLIP 47(H)							1	1		
16	2	24313-000200	O-RING 20P							1	1		
17	1	119100-26200	GEAR Z=27							1	1		
18	1	24101-060064	BALL BEARING							2	2		
19	1	24341-000800	O-RING 1A S-80.0							1	1		
20	1	26106-080202	BOLT M 8X 20 PLATED							4	4		
21	1	26306-080002	NUT							2	2		

Fig.30.COOLING FRESH WATER PUMP

(A)=4LHA-STE(P)  
 (B)=4LHA-STZE(P)  
 (C)=4LHA-DTE(P)  
 (D)=4LHA-DTZE(P)  
 (E)=4LHA-HTE(P)  
 (F)=4LHA-HTZE(P)

Y00R4782

Fig. **30** 冷却水ポンプ (清水)  
 COOLING FRESH WATER PUMP

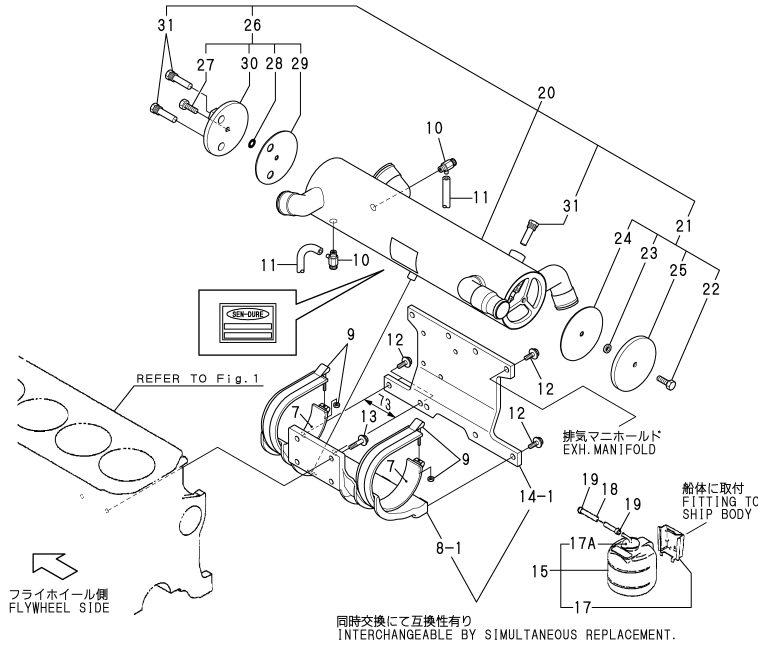


REF.	LEV.	PARTS NO.	DESCRIPTION	Q'TY						I	R
				(A)	(B)	(C)	(D)	(E)	(F)		
1	1	119171-42001	PUMP ASSY, C. WATER	1	1						
I 1-1	1	119171-42002	CFW-PUMP CMP	1	1	1	1	1	1	1	R
		(A=E/#51702) (B=E/#A0860)									
2	2	23871-030000	PLUG PT3/8,SCREW	2	2	2	2	2	2	2	
3	2	119000-42051	GASKET, C.W. PUMP	1	1	1	1	1	1	1	
4	2	119000-42150	GASKET, C.W.PUMP	1	1						
I 4-1	2	119000-42151	GASKET, C.W. PUMP	1	1	1	1	1	1	1	R
		(A=E/#51702) (B=E/#A0860)									
5	2	119000-42141	FLANGE,OUTLET	1	1	1	1	1	1	1	
I 6	2	119171-42300	ORING	1	1	1	1	1	1	1	W
		(A=E/#51702) (B=E/#A0860)									
I 6A	1	24311-000360	O-RING 1A P-36.0	1	1						Z
		(A=E/#51702) (B=E/#A0860)									
7	1	121850-42250	V-PULLEY	1	1	1	1	1	1	1	
8	1	26106-080162	BOLT M 8X 16 PLATED	4	4	4	4	4	4	4	
9	1	26106-080652	BOLT M 8X 65 PLATED	5	5	5	5	5	5	5	
10	1	121850-42280	V-BELT A46	1	1	1	1	1	1	1	
11	1	119171-49530	COVER, THERMOSTAT	1	1	1	1	1	1	1	
12	1	121850-49540	GASKET, THERMOSTAT	1	1	1	1	1	1	1	
13	1	121850-49550	GASKET, THERMOSTAT	1	1	1	1	1	1	1	
14	1	121850-49810	THERMOSTAT	1	1	1	1	1	1	1	
15	1	26106-060202	BOLT M 6X 20 PLATED	2	2	2	2	2	2	2	
16	1	26106-060452	BOLT M 6X 45 PLATED	2	2	2	2	2	2	2	
17	1	119000-42021	GASKET, (NON-ASB.)	1	1	1	1	1	1	1	

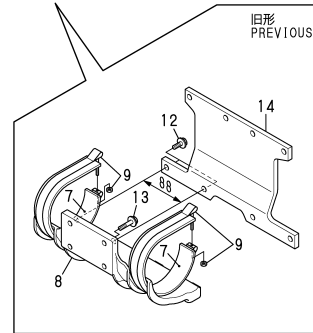
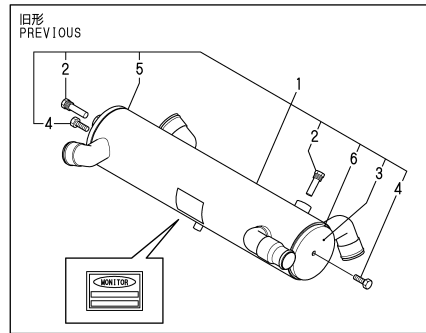
(A)=4LHA-STE(P)  
 (B)=4LHA-STZE(P)  
 (C)=4LHA-DTE(P)  
 (D)=4LHA-DTZE(P)  
 (E)=4LHA-HTE(P)  
 (F)=4LHA-HTZE(P)

Fig.31.C.F.W.COOLER(4LHA-ST/DT(Z)E(P)

P/C NEWS No:Y00R4782-8  
 PUBLISHED:2007/6



フライホイール側  
 FLYWHEEL SIDE



REF.	LEV.	PARTS NO.	DESCRIPTION	QTY						I	R	
				(A)	(B)	(C)	(D)	(E)	(F)			
I 1	1	119175-44080	HEAT EXCHANGER	1	1	1	1				4	
	2	119574-44150	ZINC, ANTI-CORROSIVE	2	2	2	2					
I 3	2	119773-33060	COVER B CMP	1	1	1	1				3	
I 4	2	119574-44180	BOLT,UNC 3/8	2	2	2	2				1	
I 5	2	119175-33080	GASKET	1	1	1	1				2	
I 6	2	119773-33080	GASKET F	1	1	1	1				3	
7	1	119775-33650	RUBBER SEAT	2	2	2	2					
8	1	119175-44130	BRACKET,CWF COOLER	1	1							
8-1	1	119175-44131	BRACKET,CWF COOLER	1	1	1	1					S
		(A=E/#50759) (B=E/#A0515)										
9	1	119175-44200	CLAMP,T-BOLT	2	2	2	2					
10	1	120130-49350	COCK 1/4	2	2							
10-1	1	119620-49290	COCK ASSY 1/4	2	2	2	2					N
		(A=E/#51115) (B=E/#A0634)										
11	1	23061-070300	PIPE 7X 300	2	2	2	2					
12	1	26106-080222	BOLT M 8X 22 PLATED	8	8	8	8					
13	1	26106-080252	BOLT M 8X 25 PLATED	4	4	4	4					
14	1	119175-44180	SUPPORT,HEAT EXCHANG	1	1							
14-1	1	119175-44181	SUPPORT,HEAT EXCHANG	1	1	1	1					S
		(A=E/#50717) (B=E/#A0491)										
15	1	720445-44200	SUB RESERVOIR ASSY	1	1	1	1					
17	2	120445-44540	BRACKET, SUB-TANK	1	1	1	1					
I 17A	2	X0225000630	CAP	1	1	1	1					
18	1	124790-44560	PIPE, C. WATER	1	1	1	1					
19	1	23010-013000	CLAMP 13	2	2	2	2					
20	1	119175-44080	HEAT EXCHANGER	1	1	1	1					4
I 21	2	119175-33320	SPARE COVER KIT2	1	1	1	1					W
		(A=*2007.04) (B=*2007.04) (C=*2007.04) (D=*2007.04)										
I 22	3	119175-33330	BOLT UNC 3/8-16X5/8	1	1	1	1					
I 23	3	119175-33360	RUBBER GASKET	1	1	1	1					
I 24	3	119175-33370	4 INCH GASKET	1	1	1	1					
I 25	3	119175-33390	SEPARATOR COVER	1	1	1	1					
I 26	2	119175-33310	SPARE COVER KIT1	1	1	1	1					W
		(A=*2007.04) (B=*2007.04) (C=*2007.04) (D=*2007.04)										
I 27	3	119175-33340	BOLT UNC 3/8-16X3/4	1	1	1	1					
I 28	3	119175-33350	O-RING	1	1	1	1					
I 29	3	119175-33380	4 INCH GASKET, 2H	1	1	1	1					
I 30	3	119175-33400	SEPARATOR COVER,CAST	1	1	1	1					
I 31	2	119574-44150	ZINC, ANTI-CORROSIVE	2	2	2	2					

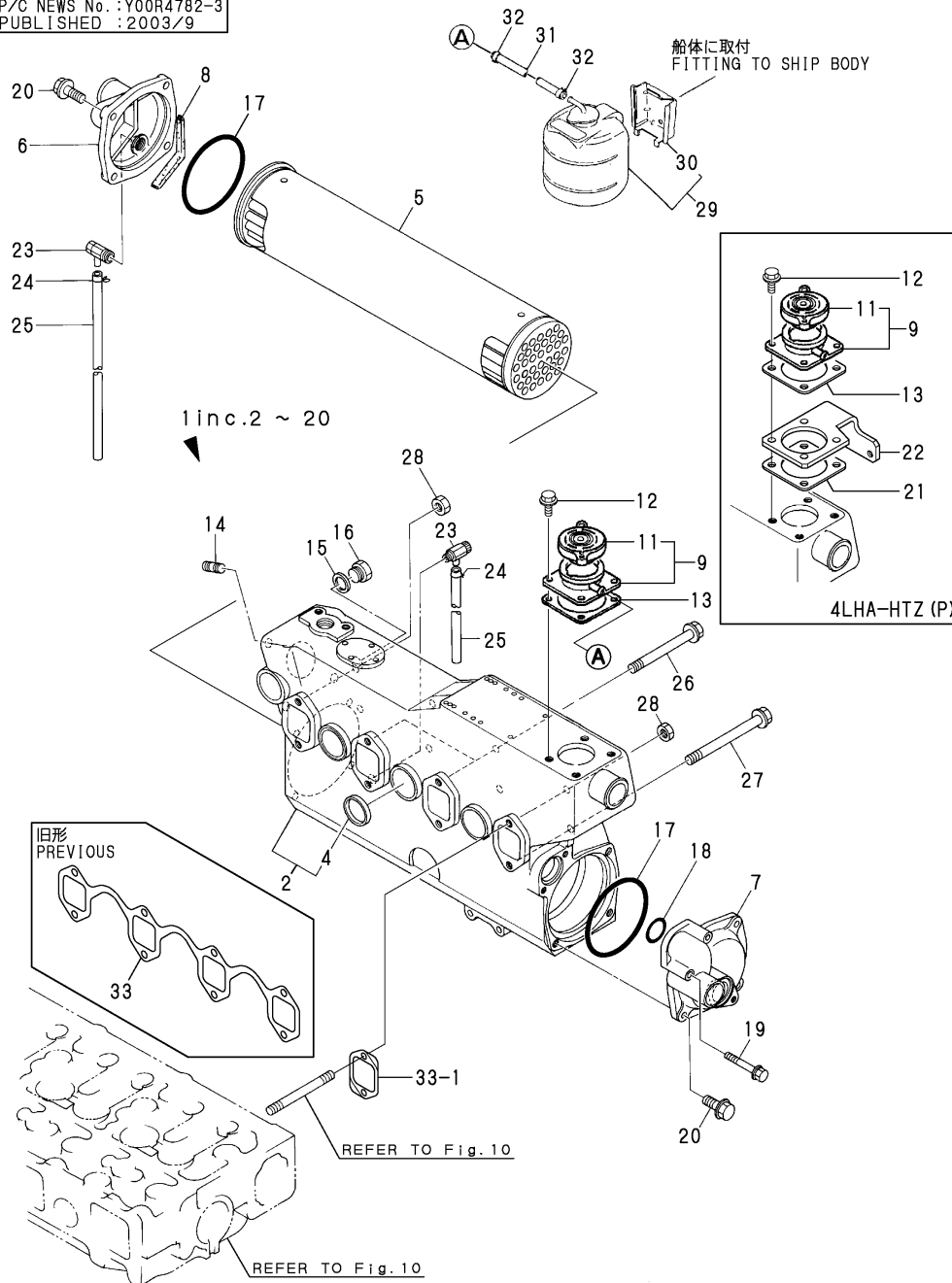
Remarks

(1)THERE ARE A KIT AND INTERCHANGEABILITY OF NO.21 OR NO.26.(NOT INTERCHANGEABLE SINGLE PART.) (2)THERE ARE A KIT AND INTERCHANGEABILITY OF NO.26.(NOT INTERCHANGEABLE SINGLE PART.) (3)THERE ARE A KIT AND INTERCHANGEABILITY OF NO.21.(NOT INTERCHANGEABLE SINGLE PART.) (4)IT IS ABOUT 2002 MANUFACTURER CHANGE.(MONITOR CO. -> SEN-DURE CO.)THE PART NUMBER DOESN'T HAVE THE CHANGE.

(A)=4LHA-STE(P) (D)=4LHA-DTZE(P)  
 (B)=4LHA-STZE(P) (E)=4LHA-HTE(P)  
 (C)=4LHA-DTE(P) (F)=4LHA-HTZE(P)

Fig.32.C.F.W.COOLER(4LHA-HT(Z)E(P))

P/C NEWS No.: Y00R4782-3  
 PUBLISHED : 2003/9



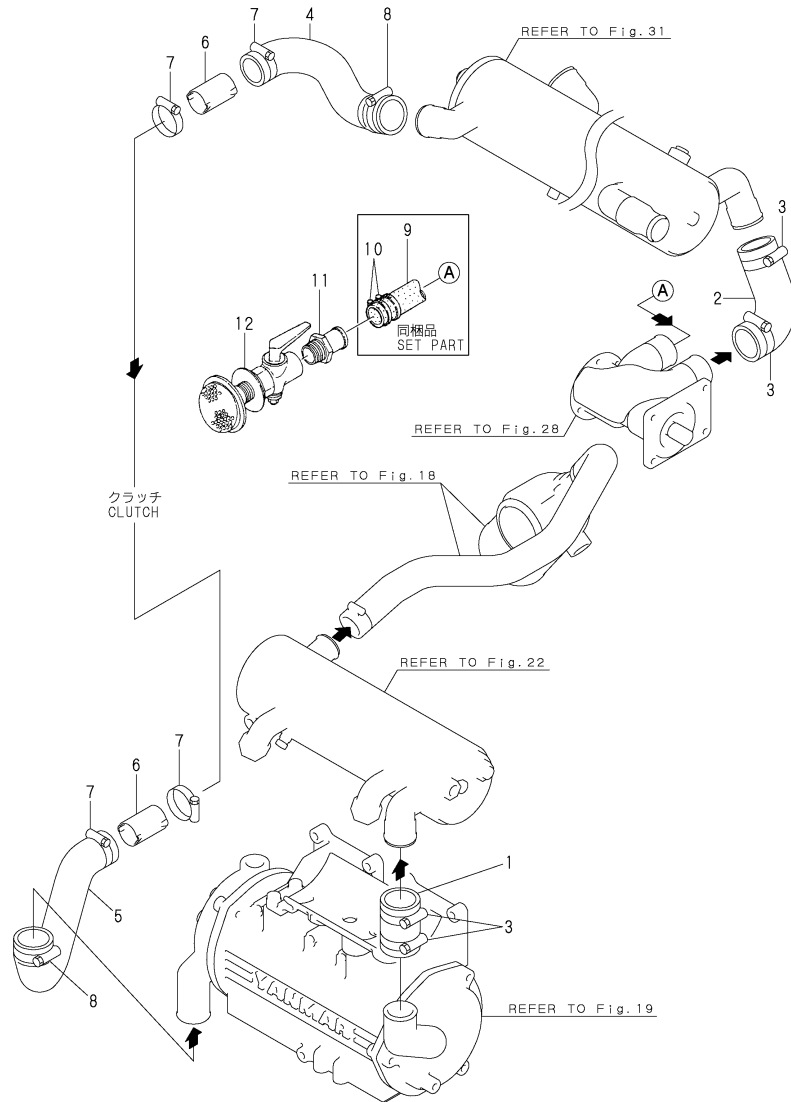
REF.	LEV.	PARTS NO.	DESCRIPTION	QTY						I	R
				(A)	(B)	(C)	(D)	(E)	(F)		
1	1	719172-44500	EXCHANGER ASSY, HEAT							1	1
2	2	119171-44000	EXCHAGER ASSY, HEAT							1	1
4	3	27241-280000	PLUG 28							4	4
I	4-1	3	119773-13160							4	4
							(E=*2003.09)				(F=*2003.09)
5	2	119171-44110	CORE ASSY, COOLER							1	1
6	2	119172-44440	COVER A							1	1
7	2	119171-44450	COVER B							1	1
8	2	119171-44470	GASKET							1	1
9	2	129171-44600	FILLER ASSY							1	1
11	3	129107-44590	CAP, RADIATOR							1	1
12	2	26106-080202	BOLT M 8X 20 PLATED							4	4
13	2	120445-44640	GASKET							1	1
14	2	26223-100252	STUD M10X 25							2	2
15	2	23414-170000	GASKET 17, ROUND							1	1
16	2	23894-030002	PLUG G3/8, HEX.							1	1
17	2	24311-001000	O-RING 1A P-100.0							2	2
18	2	24321-000300	O-RING G30							1	1
19	2	26106-060502	BOLT M 6X 50 PLATED							2	2
20	2	26106-080252	BOLT M 8X 25 PLATED							7	7
21	1	120445-44640	GASKET								1
22	1	119175-26540	BRACKET,OIL TANK								1
23	1	119620-49290	COCK ASSY 1/4							2	2
24	1	124460-77680	RETAINER							2	2
25	1	23061-070300	PIPE 7X 300							2	2
26	1	129693-44320	BOLT							2	2
27	1	119172-44310	BOLT(CFW COOLER)							4	4
28	1	26306-080002	NUT							2	2
29	1	120445-44530	SUB RESERVOIR ASSY							1	1
30	2	120445-44540	BRACKET, SUB-TANK							1	1
31	1	124790-44560	PIPE, C. WATER							1	1
32	1	23010-013000	CLAMP 13							2	2
33	1	119174-13201	GASKET(CFW COOLER)							1	1
I	33-1	1	119595-13200							4	4
							(E=*2003.09)				(F=*2003.09)

(A)=4LHA-STE(P)  
 (B)=4LHA-STZE(P)  
 (C)=4LHA-DTE(P)  
 (D)=4LHA-DTZE(P)  
 (E)=4LHA-HTE(P)  
 (F)=4LHA-HTZE(P)

Fig.33.C.S.W.PIPE(4LHA-STE/DTE(P))

Y00R4782

Fig. **33** 冷却水パイプ (海水, 4LHA-STE/DTE (P))  
 C. S. W. PIPE (4LHA-STE/DTE (P))



REF.	LEV.	PARTS NO.	DESCRIPTION	QTY						I	R	
				(A)	(B)	(C)	(D)	(E)	(F)			
1	1	119175-49030	HOSE,I/C,OUT	1		1						
2	1	119175-49250	HOSE,SEA WATER	1		1						
3	1	23000-054000	CLAMP 54	4		4						
4	1	119175-49700	HOSE,GEAR IN	1								
5	1	119175-49710	HOSE,GEAR OUT	1								
6	1	119181-49741	JOINT	2								
7	1	23000-048000	CLAMP 48	4								
8	1	23000-054000	CLAMP 54	2								
9	1	127610-49010	PIPE, COOLING WATER	1		1						2
10	1	23000-054000	CLAMP 54	4		4						2
11	1	43530-500610	JOINT (30A)	1		1						1
12	1	43662-030030	COCK ASSY, SEA WATER	1		1						1

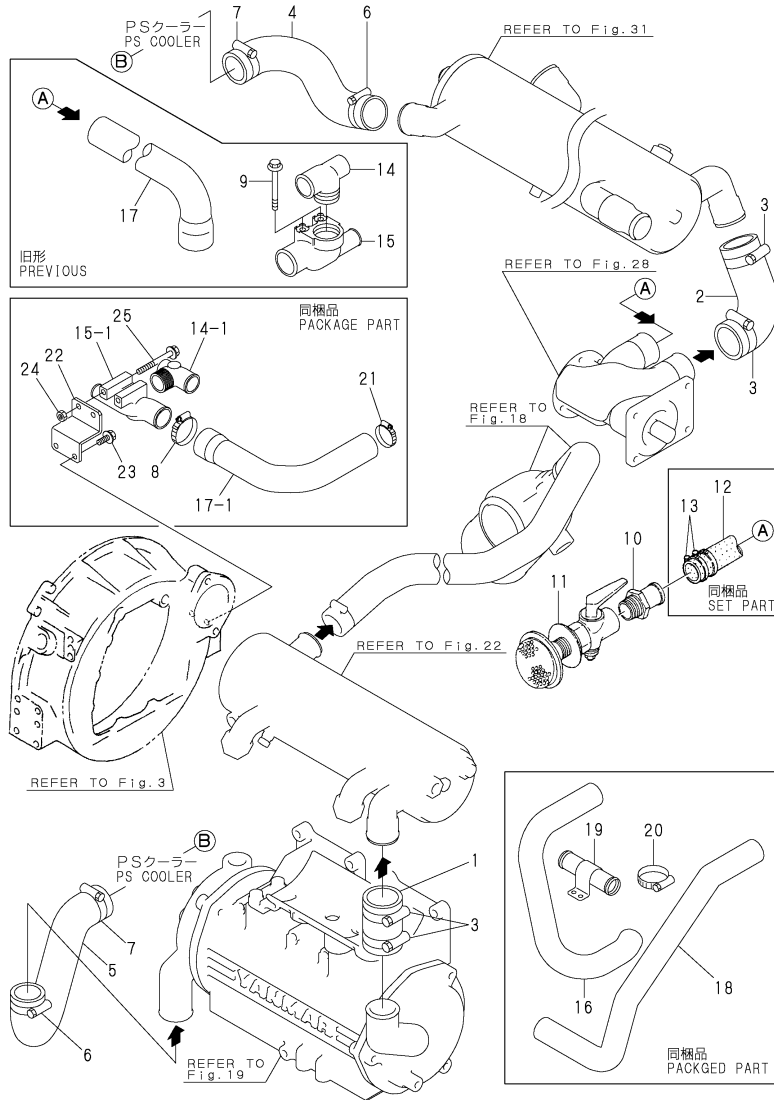
Remarks  
 (1)OPTIONAL  
 (2)PACKAGED PART.

Fig.34.C.S.W.PIPE(4LHA-STZE/DTZE(P))

(A)=4LHA-STE(P)  
 (B)=4LHA-STZE(P)  
 (C)=4LHA-DTE(P)  
 (D)=4LHA-DTZE(P)  
 (E)=4LHA-HTE(P)  
 (F)=4LHA-HTZE(P)

Y00R4782

Fig. 34 冷却水パイプ (海水, 4LHA-STZE/DTZE (P))  
 C.S.W.PIPE (4LHA-STZE/DTZE (P))



REF.	LEV.	PARTS NO.	DESCRIPTION	QTY						I	R
				(A)	(B)	(C)	(D)	(E)	(F)		
1	1	119175-49030	HOSE,I/C,OUT		1		1				
2	1	119175-49250	HOSE,SEA WATER		1		1				
3	1	23000-054000	CLAMP 54		4		4				
4	1	119175-49310	HOSE,PS COOLER IN		1						
I 4-1	1	119175-49330 (B=E/#A0836)	HOSE,PS COOLER IN		1		1				R
5	1	119175-49320	HOSE,PS COOLER OUT		1						
I 5-1	1	119175-49340 (B=E/#A0836)	HOSE,PS COOLER		1		1				R
6	1	23000-048000	CLAMP 48		2		2				
7	1	23000-054000	CLAMP 54		2		2				
8	1	23000-060000	CLAMP 60		1		1				
I 9	1	26106-100802 (B=E/#A0706)	BOLT M10X 80 PLATED		2						Z 2
10	1	43530-500610	JOINT (30A)		1		1				1
11	1	43662-030030	COCK ASSY, SEA WATER		1		1				1
12	1	127610-49010	PIPE, COOLING WATER		1		1				2
13	1	23000-054000	CLAMP 54		4		4				2
14	1	119773-48640	BEND,90 ELBOW		1						2
I 14-1	1	119775-48640 (B=*2001.09)	BEND,90 ELBOW		1		1				R 2
15	1	119778-49050	BEND,TRAIANGLE		1						2
I 15-1	1	119779-49050 (B=*2001.09)	BEND,TRAIANGLE		1		1				R 2
16	1	119778-49150	HOSE,DRIVE		1						2
I 16-1	1	119779-49150 (B=*2001.04)	HOSE,DRIVE OUT		1		1				R 2
I 17	1	119793-49150 (B=E/#A0706)	BRACKET,PIPE		1						Z 2
I 17-1	1	119175-49160 (B=E/#A0706)	CW PIPE		1		1				W 2
18	1	119778-49170	HOSE,DRIVE		1						2
I 18-1	1	119172-49190 (B=*2001.04)	HOSE,DRIVE		1		1				R 2
19	1	119778-49200	TUBE,DRIVE		1		1				2
20	1	23000-041000	CLAMP 41		4		4				2
21	1	23000-054000	CLAMP 54		1		1				2
I 22	1	119175-49180 (B=E/#A0706)	BOX		1		1				W 2
I 23	1	26106-100252 (B=E/#A0706)	BOLT M10X 25 PLATED		2		2				W 2
I 24	1	26306-100002 (B=E/#A0706)	NUT		2		2				W 2
I 25	1	26106-100902 (B=E/#A0706)	BOLT M10X 90 PLATED		2		2				W 2

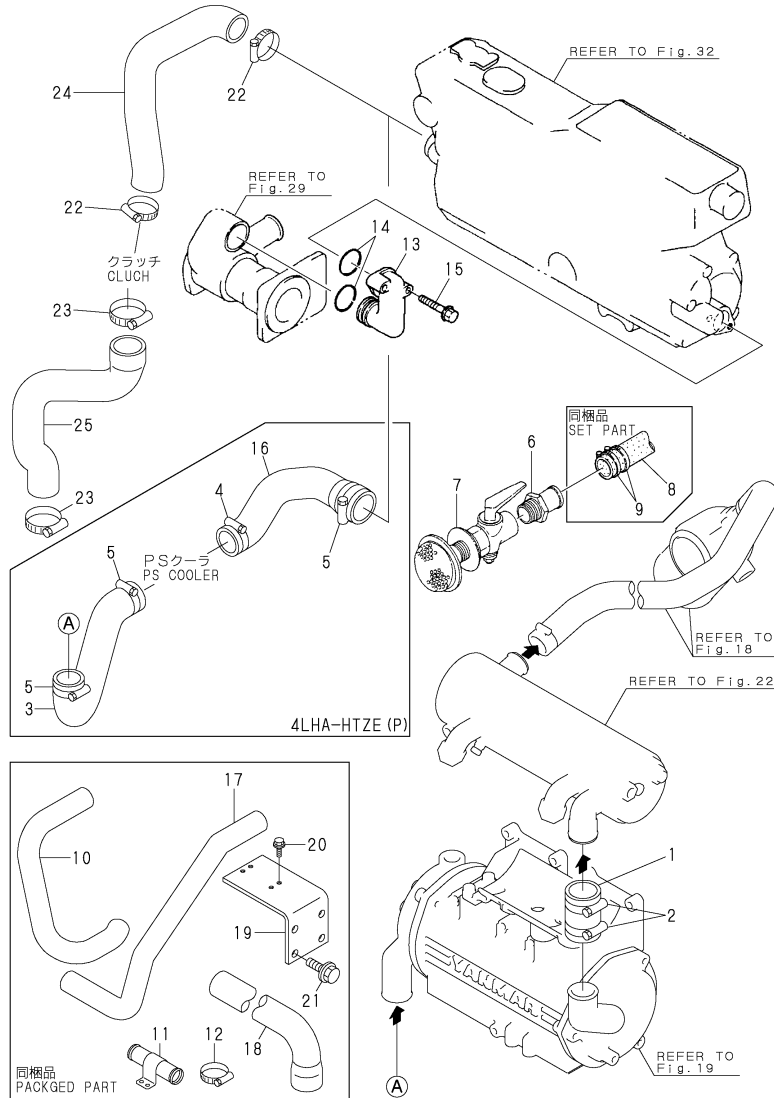
Remarks  
 (1)OPTIONAL  
 (2)PACKAGED PART.

(A)=4LHA-STE(P) (D)=4LHA-DTZE(P)  
 (B)=4LHA-STZE(P) (E)=4LHA-HTE(P)  
 (C)=4LHA-DTE(P) (F)=4LHA-HTZE(P)

Fig.35.C.S.W.PIPE(4LHA-HT(Z)E(P))

Y00R4782

Fig. 35 冷却水パイプ (海水, 4LHA-HT (Z) E (P))  
 C. S. W. PIPE (4LHA-HT (Z) E (P))



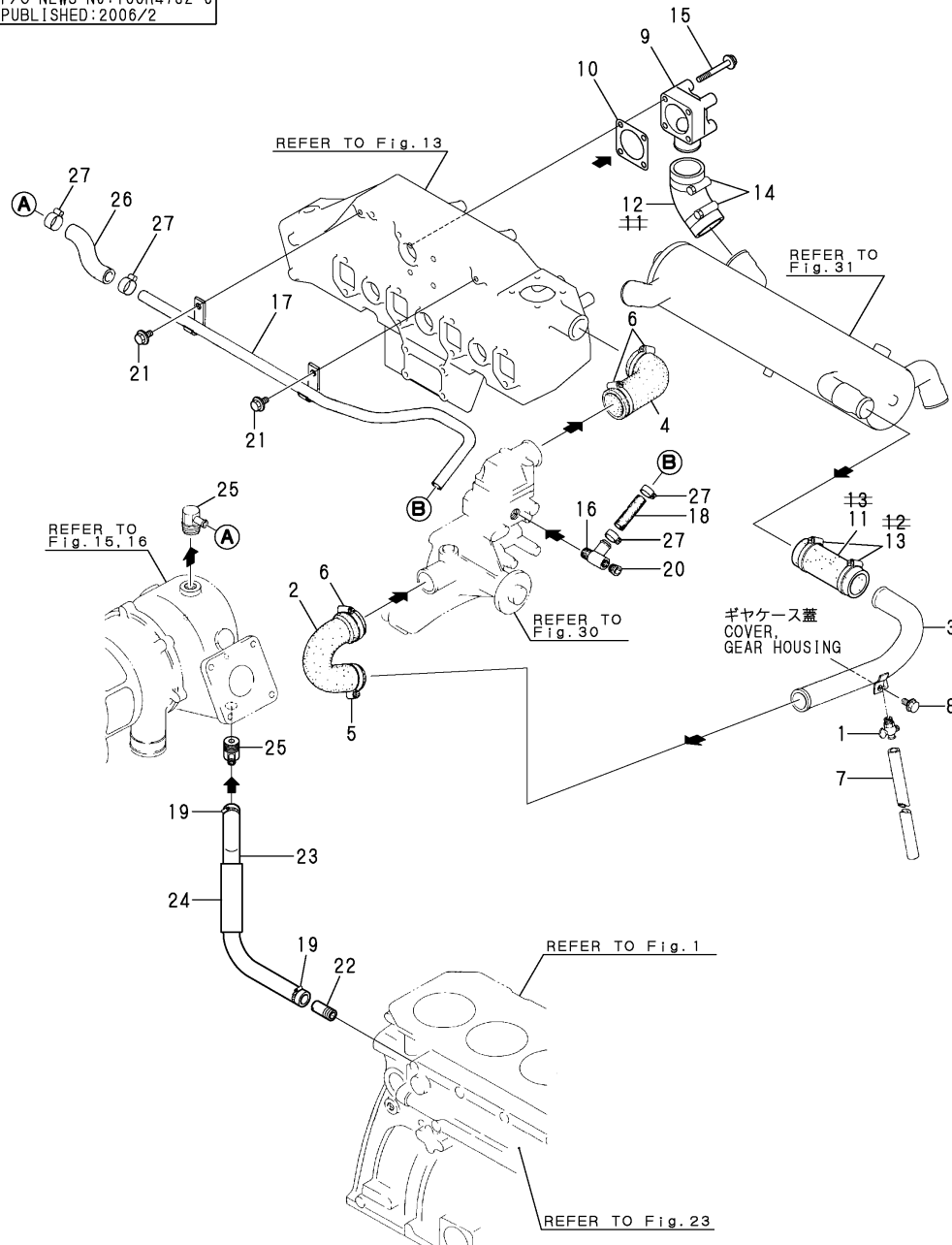
REF.	LEV.	PARTS NO.	DESCRIPTION	QTY						I	R	
				(A)	(B)	(C)	(D)	(E)	(F)			
1	1	119175-49030	HOSE,I/C,OUT						1	1		
2	1	23000-054000	CLAMP 54						2	2		
3	1	119175-49340	HOSE,PS COOLER							1		
4	1	23000-048000	CLAMP 48							1		
5	1	23000-054000	CLAMP 54							3		
6	1	43530-500610	JOINT (30A)						1	1	1	
7	1	43662-030030	COCK ASSY, SEA WATER						1	1	1	
8	1	23072-122000	HOSE (32/42X2000)						1	1	2	
9	1	23000-048000	CLAMP 48						2	2	2	
10	1	119779-49150	HOSE,DRIVE OUT							1	2	
11	1	119778-49200	TUBE,DRIVE							2	2	
12	1	23000-041000	CLAMP 41							6	2	
13	1	119171-49070	BEND						1	1		
14	1	24321-000300	O-RING G30						2	2		
15	1	26106-060352	BOLT M 6X 35 PLATED						2	2		
16	1	119172-49310	HOSE,PS COOLER IN							1		
17	1	119172-49190	HOSE,DRIVE							1	2	
18	1	119172-49170	HOSE,CWS-P IN							1	2	
19	1	119172-49130	BRACKET,JOINT							1	2	
20	1	26106-060102	BOLT 6X 10 PLATED							8	2	
21	1	26106-100252	BOLT M10X 25 PLATED							4	2	
22	1	23000-048000	CLAMP 48							2	1	
23	1	23000-054000	CLAMP 54							2	1	
24	1	119172-49600	HOSE,GEAR IN							1	1	
25	1	119172-49610	HOSE,GEAR OUT							1	1	

Remarks  
 (1)OPTIONAL  
 (2)PACKAGED PART.

(A)=4LHA-STE(P)  
 (B)=4LHA-STZE(P)  
 (C)=4LHA-DTE(P)  
 (D)=4LHA-DTZE(P)  
 (E)=4LHA-HTE(P)  
 (F)=4LHA-HTZE(P)

Fig.36.C.F.W.PIPE(4LHA-ST/DT(Z)E(P))

P/C NEWS No:Y00R4782-6  
 PUBLISHED:2006/2



REF.	LEV.	PARTS NO.	DESCRIPTION	QTY						I	R
				(A)	(B)	(C)	(D)	(E)	(F)		
1	1	128695-44090	PEACOCK	1	1						
1-1	1	129670-49290	COCK R1/8 ASSY	1	1	1	1				N
		(A=E/#50717) (B=E/#A0491)									
2	1	119171-49240	PIPE	1	1	1	1				
3	1	119171-49250	PIPE	1	1	1	1				
4	1	119174-49250	PIPE	1	1						Z
		(A=E/#51645) (B=E/#A0836)									
4-1	1	119175-49210	PIPE	1	1	1	1				W
		(A=E/#51645) (B=E/#A0836)									
5	1	23000-048000	CLAMP 48	1	1	1	1				
6	1	23000-054000	CLAMP 54	3	3	3	3				
7	1	23061-070300	PIPE 7X 300	1	1	1	1				
8	1	26106-080162	BOLT M 8X 16 PLATED	1	1	1	1				
9	1	119175-49100	BEND,FRESH WATER	1	1	1	1				
10	1	119175-49120	GASKET,CWF BEND	1	1	1	1				
I 11	1	119175-49150	HOSE,FRESHWATER	1	1	1	1				
I 12	1	119175-49200	HOSE,EXH	1	1	1	1				
13	1	23000-048000	CLAMP 48	2	2	2	2				
I 13-1	1	119172-48410	CLAMP 41	2	2	2	2				N
		(A=*2002.03) (B=*2002.03) (C=*2002.03) (D=*2002.03)									
14	1	23000-054000	CLAMP 54	2	2	2	2				
I 14-1	1	119172-48480	CLAMP 48	2	2	2	2				N
		(A=*2002.03) (B=*2002.03) (C=*2002.03) (D=*2002.03)									
15	1	26106-080652	BOLT M 8X 65 PLATED	4	4	4	4				
16	1	119187-49331	JOINT	1	1	1	1				
17	1	119174-49341	PIPE,TURB.THRM.C.F.W	1	1	1	1				
18	1	119187-49360	PIPE	1	1						Z
		(A=E/#51645) (B=E/#A0836)									
18-1	1	119175-49370	PIPE	1	1	1	1				W
		(A=E/#51645) (B=E/#A0836)									
19	1	23000-025000	CLAMP 25	2	2	2	2				
20	1	23871-030000	PLUG PT3/8,SCREW	1	1						
20-1	1	23875-030000	PLUG PT3/8,STEEL	1	1	1	1				N
		(A=E/#50582) (B=E/#A0421)									
21	1	26106-080162	BOLT M 8X 16 PLATED	2	2	2	2				
22	1	104407-44480	JOINT	1	1	1	1				
23	1	119175-49300	HOSE,T/C IN	1	1	1	1				
24	1	119174-49310	PROTECTOR,C.F.W.PIPE	1	1	1	1				
25	1	119187-49321	JOINT	2	2	2	2				
26	1	119175-49350	PIPE (TURB OUT	1	1	1	1				
27	1	23000-025000	CLAMP 25	4	4	4	4				

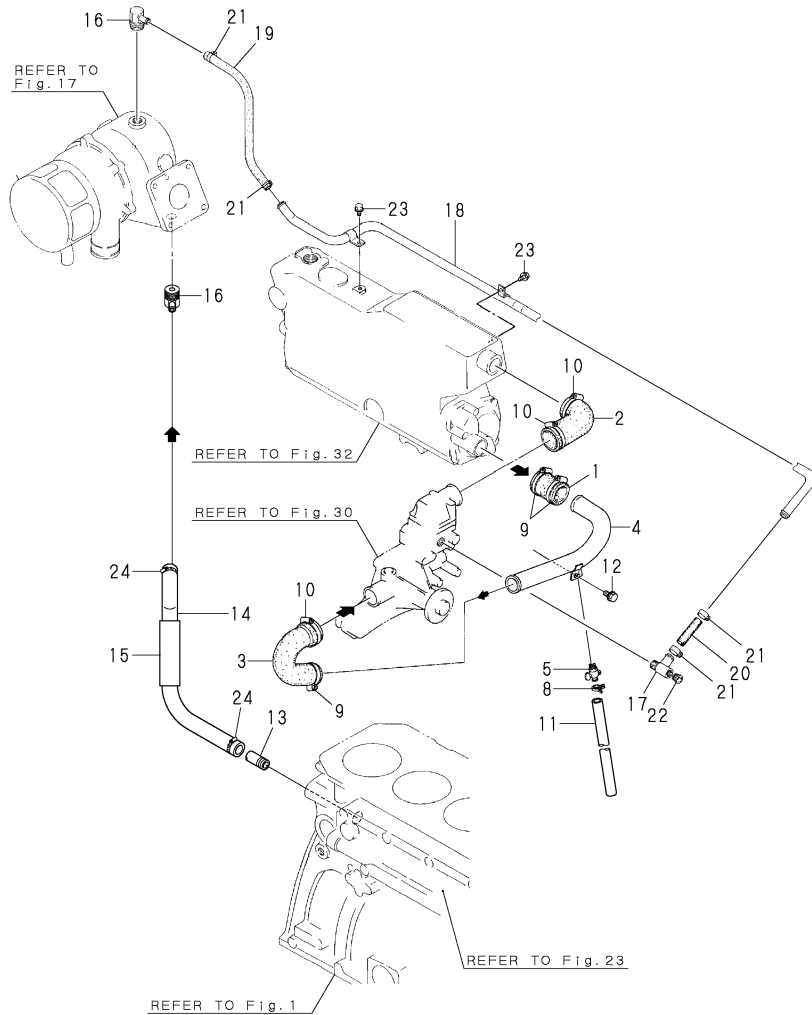


Fig.37.C.F.W.PIPE(4LHA-HT(Z)E(P))

(A)=4LHA-STE(P) (D)=4LHA-DTZE(P)  
 (B)=4LHA-STZE(P) (E)=4LHA-HTE(P)  
 (C)=4LHA-DTE(P) (F)=4LHA-HTZE(P)

Y00R4782

Fig. **37** 冷却水パイプ (清水, 4LHA-HT (Z) E (P))  
 C.F.W.PIPE(4LHA-HT(Z)E(P))



REF.	LEV.	PARTS NO.	DESCRIPTION	QTY						I	R	
				(A)	(B)	(C)	(D)	(E)	(F)			
1	1	120445-49150	JOINT						1	1		
2	1	119171-49200	PIPE						1	1		
3	1	119171-49240	PIPE						1	1		
4	1	119171-49250	PIPE						1	1		
5	1	129670-49290	COCK R1/8 ASSY						1	1		
8	1	124460-77680	RETAINER						1	1		
9	1	23000-048000	CLAMP 48						3	3		
10	1	23000-054000	CLAMP 54						3	3		
11	1	23061-070300	PIPE 7X 300						1	1		
12	1	26106-080162	BOLT M 8X 16 PLATED						1	1		
13	1	104407-44480	JOINT						1	1		
14	1	119175-49300	HOSE,T/C IN						1	1		
15	1	119174-49310	PROTECTOR,C.F.W.PIPE						1	1		
16	1	119187-49321	JOINT						2	2		
17	1	119187-49331	JOINT						1	1		
18	1	119187-49340	PIPE						1	1		
19	1	119172-49350	PIPE						1	1		
20	1	119175-49370	PIPE						1	1		
21	1	23000-025000	CLAMP 25						4	4		
22	1	23875-030000	PLUG PT3/8,STEEL						1	1		
23	1	26106-060122	BOLT M 6X 12 PLATED						2	2		
24	1	23000-025000	CLAMP 25						2	2		

Fig.38.C.S.W.STRAINER(OPTIONAL)

(A)=4LHA-STE(P) (D)=4LHA-DTZE(P)  
 (B)=4LHA-STZE(P) (E)=4LHA-HTE(P)  
 (C)=4LHA-DTE(P) (F)=4LHA-HTZE(P)

REF.	LEV.	PARTS NO.	DESCRIPTION	QTY						I	R
				(A)	(B)	(C)	(D)	(E)	(F)		
1	1	127611-48600	STRAINER, SEA WATER	1	1	1	1	1	1		
2	1	119171-48610	JOINT, PIPE	2	2	2	2	2	2		

Y00R4782

Fig. **38** 冷却水フィルタ (海水, オプション)  
 C. S. W. STRAINER (OPTIONAL)

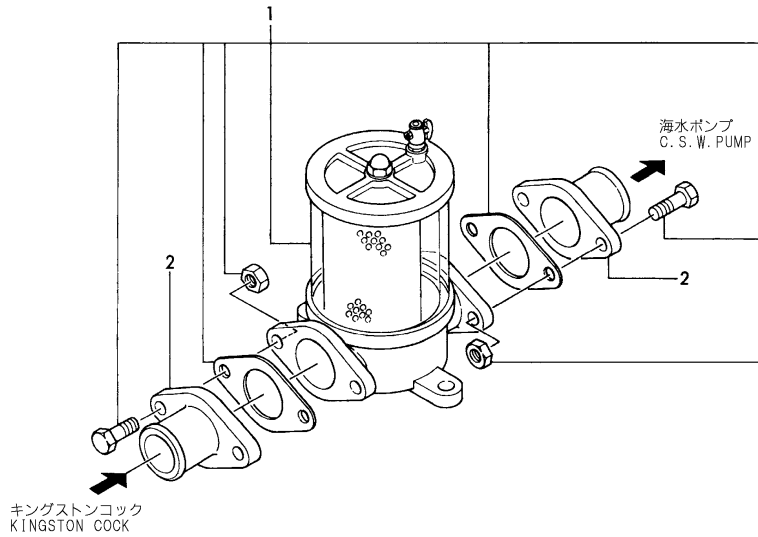


Fig.39.BILGE PUMP(STD,OPTIONAL)

(A)=4LHA-STE(P)  
 (B)=4LHA-STZE(P)  
 (C)=4LHA-DTE(P)  
 (D)=4LHA-DTZE(P)  
 (E)=4LHA-HTE(P)  
 (F)=4LHA-HTZE(P)

REF.	LEV.	PARTS NO.	DESCRIPTION	QTY						I	R
				(A)	(B)	(C)	(D)	(E)	(F)		
1	1	977780-01210	PUMP(12V).BILGE	1	1	1	1	1	1		
2	2	977780-01230	MOTOR ASSY(BILG PUMP	1	1	1	1	1	1		
3	2	977780-01250	CONTROLLER	1	1	1	1	1	1		
4	3	X8636008003	FUSE	1	1	1	1	1	1		
5	2	X179100021X	STRAINER	1	1	1	1	1	1		
6	2	X179100100X	PIPE ASSY	1	1	1	1	1	1		
7	2	X0044021509	HOSE A	1	1	1	1	1	1		
8	2	X199903800X	SCREW KIT	1	1	1	1	1	1		
9	2	977780-03000	INPELLER	1	1	1	1	1	1		

Y00R4782

Fig. 39 ビルジポンプ (STD, オプション)  
 BILGE PUMP (STD,OPTIONAL)

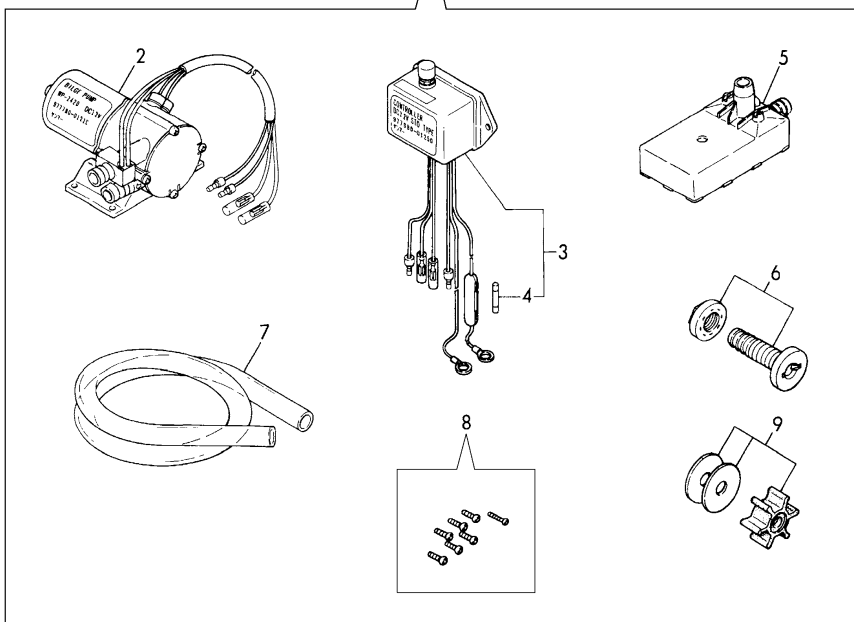
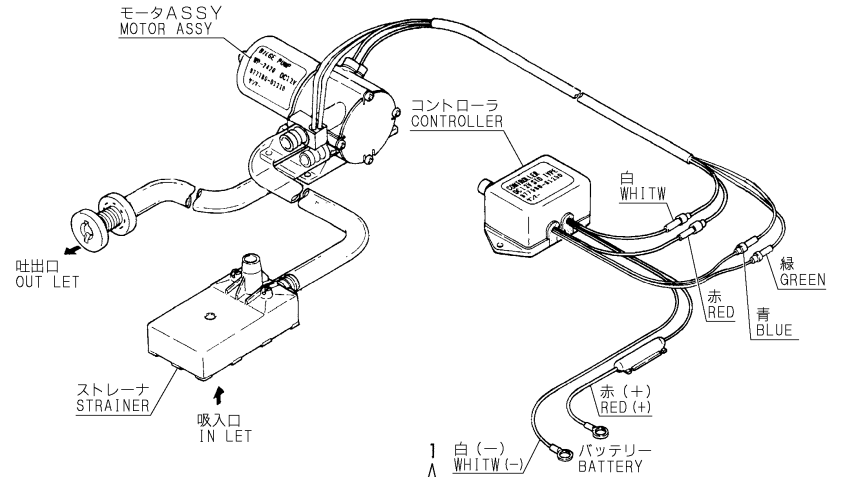


Fig.40.BILGE PUMP(DX,OPTIONAL)

(A)=4LHA-STE(P)  
 (B)=4LHA-STZE(P)  
 (C)=4LHA-DTE(P)

(D)=4LHA-DTZE(P)  
 (E)=4LHA-HTE(P)  
 (F)=4LHA-HTZE(P)

REF.	LEV.	PARTS NO.	DESCRIPTION	QTY						I R
				(A)	(B)	(C)	(D)	(E)	(F)	
1	1	977780-01200	PUMP(12V).BILGE	1	1	1	1	1	1	1
2	2	977780-01230	MOTOR ASSY(BILG PUMP	1	1	1	1	1	1	1
3	2	977780-01240	CONTROLLER	1	1	1	1	1	1	1
4	3	X8636008003	FUSE	1	1	1	1	1	1	1
5	2	X179100011X	STRAINER	1	1	1	1	1	1	1
6	2	X179100100X	PIPE ASSY	1	1	1	1	1	1	1
7	2	X0044021509	HOSE A	1	1	1	1	1	1	1
8	2	X199903800X	SCREW KIT	1	1	1	1	1	1	1
9	2	977780-03000	INPELLER	1	1	1	1	1	1	1

Y00R4782

Fig. 40 ビルジポンプ (DX, オプション)  
 BILGE PUMP (DX, OPTIONAL)

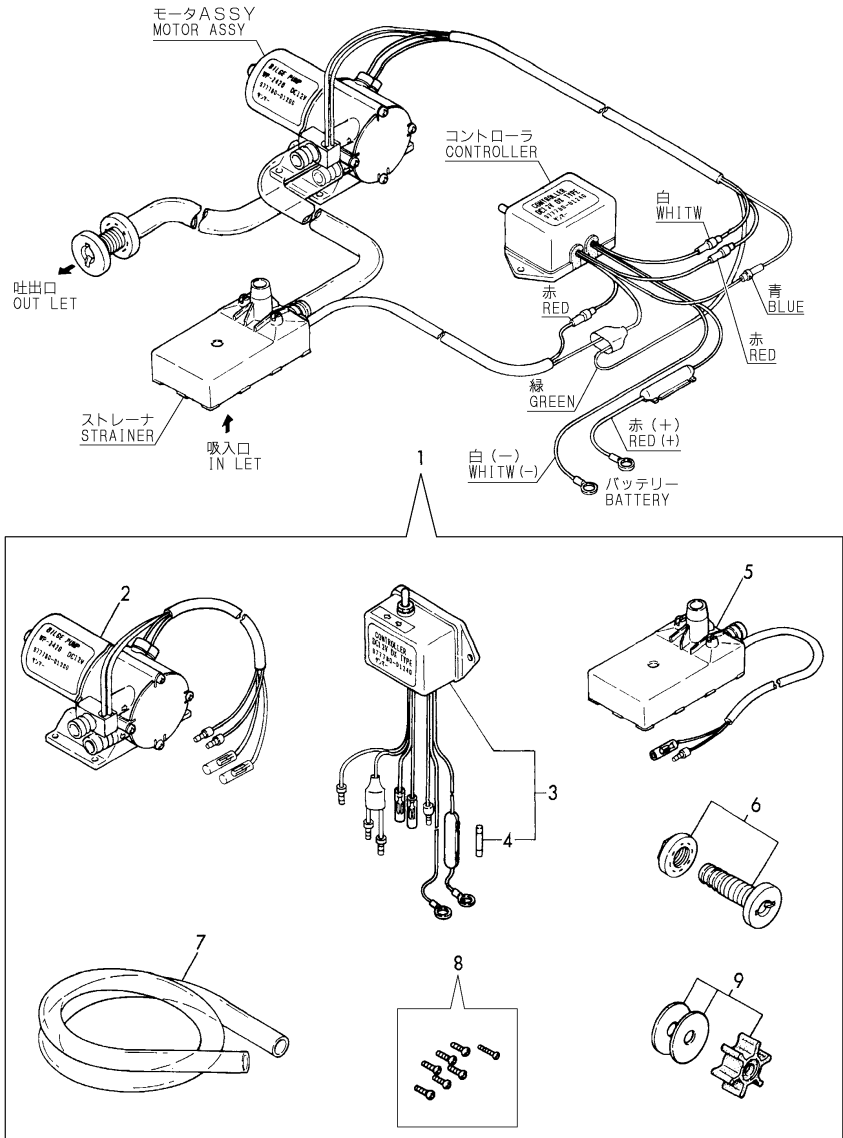
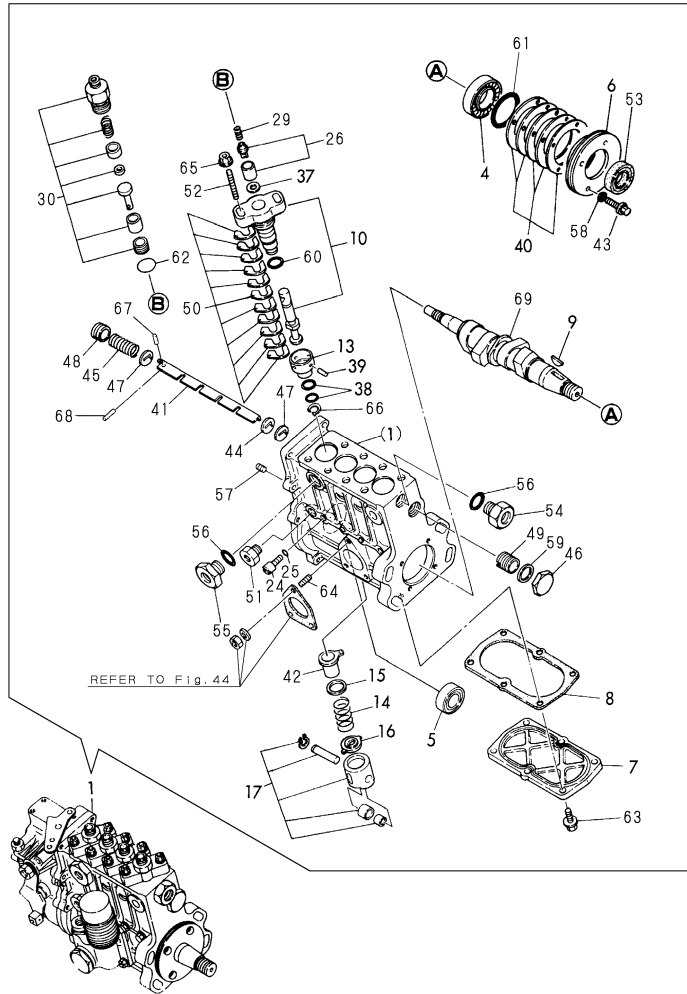


Fig.41.FUEL INJECTION PUMP(4LHA-ST/DT(Z)E(P))

Y00R4782

Fig. 41 燃料噴射ポンプ (4LHA-ST/DT (Z) E (P))  
FUEL INJECTION PUMP (4LHA-ST/DT (Z) E (P))



Remarks  
(1)GOVERNOR ASSY(FIG 43) AND FUEL  
FEED PUMP ASSY(FIG 44) IS  
INCORPORATED IN THIS FUEL  
INJECTION PUMP ASSY(REF. NO.1,1A)

Y00R4782 41.FUEL INJECTION PUMP(4LHA-ST/DT(Z)E(P))

(A)=4LHA-STE(P) (D)=4LHA-DTZE(P)  
(B)=4LHA-STZE(P) (E)=4LHA-HTE(P)  
(C)=4LHA-DTE(P) (F)=4LHA-HTZE(P)

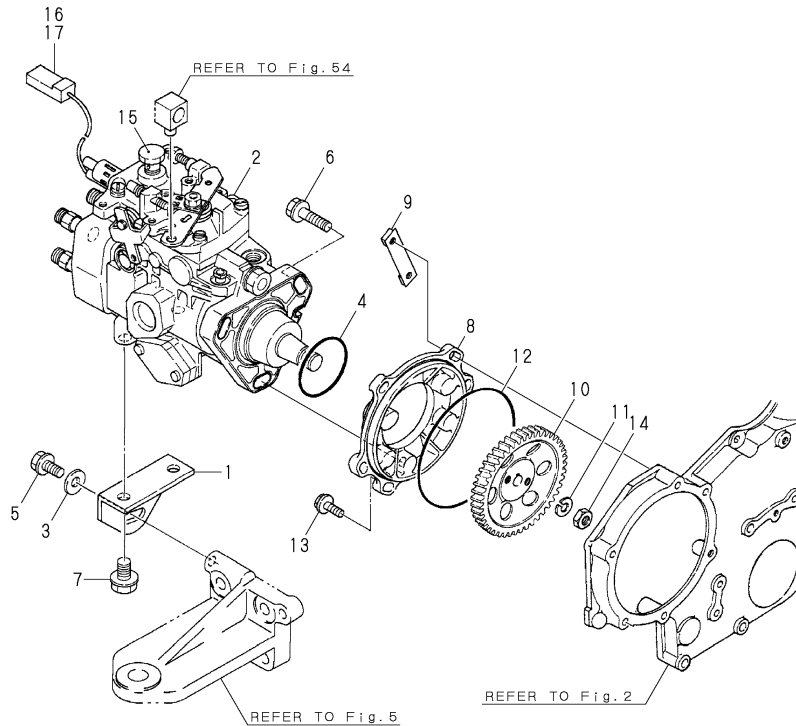
REF.	LEV.	PARTS NO.	DESCRIPTION	QTY						I	R
				(A)	(B)	(C)	(D)	(E)	(F)		
1	1	719175-51310	PUMP ASSY, F.INJECT.	1	1						1
1A	1	719173-51310	PUMP ASSY, F. INJECT			1	1				1
4	2	119000-51050	BEARING	1	1	1	1				
5	2	122710-51050	BEARING, ROLLER	1	1	1	1				
6	2	119000-51060	SUPPORT, BEARING	1	1	1	1				
7	2	119100-51081	COVER	1	1	1	1				
8	2	119100-51091	GASKET, LOWER COVER	1	1	1	1				
9	2	144626-51090	KEY 5X19	1	1	1	1				
10	2	119593-51100	PLUNGER W/BARREL	4	4	4	4				
13	2	119000-51151	DEFLECTOR	4	4	4	4				
14	2	119000-51161	SPRING	4	4	4	4				
15	2	119000-51170	SEAT A, PLNGR.SPRING	4	4	4	4				
16	2	119000-51181	SEAT B, PLNGR.SPRING	4	4	4	4				
17	2	119573-51200	TAPPET	4	4	4	4				
24	2	129155-51270	LOCKING, TAPPET	4	4	4	4				
25	2	129155-51280	O-RING S6	4	4	4	4				
26	2	119593-51300	VALVE W/SEAT,DELIVE	4	4	4	4				
29	2	119000-51330	SPRING,DELIVERY VLV.	4	4	4	4				
30	2	119175-51340	DELY VALVE CMP	4	4	4	4				
37	2	122710-51350	GASKET, DELIVERY	4	4	4	4				
38	2	119000-51410	O-RING S18	8	8	8	8				
39	2	119000-51430	PIN, DEFLECTOR	4	4	4	4				
40	2	119000-51450	SHIM SET, CAMSHAFT	1	1	1	1				
41	2	119187-51500	RACK,CONTROL	1	1	1	1				
42	2	119000-51510	SLEEVE, CONTROL	4	4						
42-1	2	119000-51511	SLEEVE, CONTROL	4	4	4	4				R
		(A=E/#50448) (B=E/#A0401)									
43	2	119175-51070	BOLT M 6X 20	4	4	4	4				
44	2	119593-51520	WASHER	1	1	1	1				
45	2	119593-51530	SPRING	1	1	1	1				
46	2	119000-51550	COVER, RACK	1	1	1	1				
47	2	119000-51570	GUIDE, RACK	2	2	2	2				
48	2	119000-51580	SCREW A, GUIDE CAP	1	1	1	1				
49	2	119000-51590	SCREW B, GUIDE CAP	1	1	1	1				
50	2	119000-51650	SHIM SET, ADJUSTING	8	8	8	8				
51	2	121850-51700	BUSHING, OIL FEED	1	1	1	1				
52	2	119000-51800	BOLT,BARREL MOUNTING	8	8	8	8				
53	2	119000-51900	OIL SEAL AC1290E0	1	1	1	1				
54	2	121952-51900	ADAPTER	1	1	1	1				
55	2	121952-51900	ADAPTER	1	1	1	1				
56	2	144626-51950	O-RING 1016	2	2	2	2				
57	2	137600-53900	SCREW M6X 6	1	1	1	1				
58	2	22190-060000	SEAL WASHER 6(BOLT)	4	4	4	4				
59	2	23414-220029	GASKET 22	1	1	1	1				
60	2	24341-000260	O-RING 1A S-26.0	4	4	4	4				
61	2	24341-000500	O-RING 1A S-50.0	1	1	1	1				
62	2	24352-010160	O-RING	4	4	4	4				
63	2	26106-060182	BOLT M 6X 18 PLATED	6	6	6	6				
64	2	26216-060162	STUD M 6X 16 PLATED	3	3	3	3				
65	2	26366-080002	NUT M 8	8	8	8	8				
66	2	22242-000200	CIRCLIP 20	4	4	4	4				
67	2	22351-020008	SPRING PIN 2X 8	1	1	1	1				
68	2	22351-020012	SPRING PIN 2X 12	1	1	1	1				
69	2	119175-51030	CAM SHAFT (FOP)	1	1	1	1				

Fig.42.FUEL INJECTION PUMP(4LHA-HT(Z)E(P))

(A)=4LHA-STE(P) (D)=4LHA-DTZE(P)  
 (B)=4LHA-STZE(P) (E)=4LHA-HTE(P)  
 (C)=4LHA-DTE(P) (F)=4LHA-HTZE(P)

Y00R4782

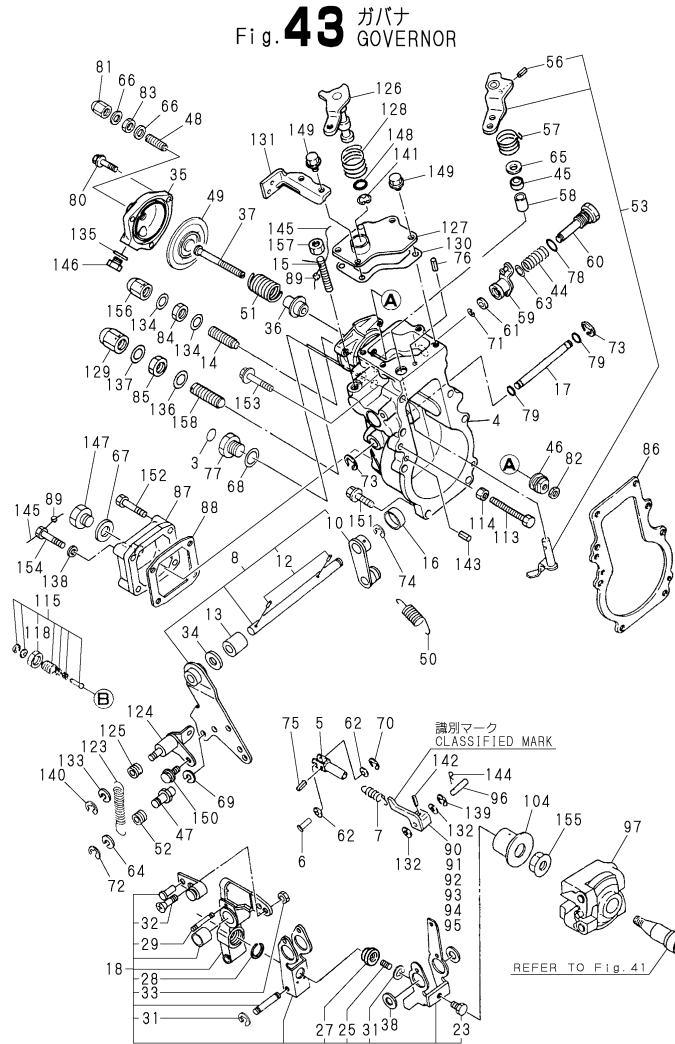
Fig. 42 燃料噴射ポンプ (4LHA-HT (Z) E (P) )  
 FUEL INJECTION PUMP (4LHA-HT (Z) E (P) )



REF.	LEV.	PARTS NO.	DESCRIPTION	QTY						I	R		
				(A)	(B)	(C)	(D)	(E)	(F)				
1	1	119171-01980	RETAINER							1	1		
2	1	119172-51931	FI-P ASSY(VE							1	1		
3	1	106100-55800	WASHER							1	1		
4	1	24341-000500	O-RING 1A S-50.0							1	1		
5	1	26106-080162	BOLT M 8X 16 PLATED							1	1		
6	1	26106-080302	BOLT M 8X 30 PLATED							3	3		
7	1	26106-100162	BOLT M10X 16 PLATED							2	2		
8	1	119171-25910	BRACKET							1	1		
9	1	119000-25920	RETAINER							1	1		
10	1	119171-25920	GEAR							1	1		
11	1	22217-140000	SPRING WASHER 14							1	1		
12	1	24341-001350	O-RING 1A S-135.0							1	1		
13	1	26106-080252	BOLT M 8X 25 PLATED							3	3		
14	1	26776-140002	LOCK NUT M14 PLATED							1	1		
15	1	129693-51990	OVER FLOW VALVE							1	1		
16	1	119171-67200	SOLENOID, FUEL CUT							1	1		
17	1	X1466584820	WIRE							1	1		

Fig.43.GOVERNOR

Y00R4782



Remarks  
 (1)PITCH 51  
 (2)PITCH 52  
 (3)PITCH 53  
 (4)PITCH 51.5  
 (5)PITCH 52.5  
 (6)PITCH 53.5

(A)=4LHA-STE(P)  
 (B)=4LHA-STZE(P)  
 (C)=4LHA-DTE(P)  
 (D)=4LHA-DTZE(P)  
 (E)=4LHA-HTZE(P)  
 (F)=4LHA-HTZE(P)

REF.	LEV.	PARTS NO.	DESCRIPTION	Q'TY						I	R
				(A)	(B)	(C)	(D)	(E)	(F)		
3	3	124610-51970	LABEL	1	1	1	1				
4	3	119573-61010	CASE, GOVERNOR	1	1	1	1				
5	3	119000-61120	LINK	1	1	1	1				
6	3	119595-61170	PIN	1	1	1	1				
7	3	119187-61190	SPRING	1	1	1	1				
8	3	119173-61400	LEVER ASSY,	1	1	1	1				
10	4	120323-61420	SPRING LEVER, GOV.	1	1	1	1				
12	4	22322-030220	TAPER PIN 3X22	2	2	2	2				
13	3	120323-61430	BUSH	2	2	2	2				
14	3	127695-61450	BOLT, FUEL CONTROL	1	1	1	1				
15	3	121850-61470	BOLT, CONTROL	1	1	1	1				
16	3	129795-61470	PLUG 20,BORE	1	1	1	1				
17	3	119000-61490	SHAFT, GOV. LEVER	1	1	1	1				
18	3	119174-61500	LEVER ASSY, GOVERNOR	1	1	1	1				
23	4	127495-61540	SHIFTER	1	1	1	1				
25	4	120130-61600	SPRING	1	1	1	1				
27	4	119187-61911	RETAINER	1	1	1	1				
28	4	119187-61920	CIRCLIP	1	1	1	1				
29	4	119187-61930	PIN	1	1	1	1				
31	4	22272-000040	CIRCLIP E- 4	5	5	5	5				
32	4	26577-060162	SCREW M 6X 16	1	1	1	1				
33	4	26716-060002	NUT 6	1	1	1	1				
34	3	120320-61540	SEAL SC102004	1	1	1	1				
35	3	129595-61600	CASE	1	1	1	1				
36	3	129595-61610	BUSH	1	1	1	1				
37	3	129595-61620	ROD	1	1	1	1				
38	3	119000-61630	SHIM PACK	1	1	1	1				
44	3	119593-61650	SPRING	1	1	1	1				
45	3	148616-61650	OIL SEAL VC081404	1	1	1	1				
46	3	127495-61660	RING	1	1	1	1				
47	3	121850-61670	BOLT (B), SPRING	1	1	1	1				
48	3	129595-61670	BOLT	1	1	1	1				
49	3	129595-61680	DIAPHRAGM	1	1	1	1				
50	3	119588-61700	SPRING,GOVERNOR	1	1	1	1				
51	3	119593-61760	DIAPHRAGM SPRING	1	1	1	1				
52	3	144626-61781	PIECE, SPRING	1	1	1	1				
53	3	119593-61800	LEVER	1	1	1	1				
56	4	22351-030016	SPRING PIN 3X16	1	1	1	1				
57	3	119593-61830	SPRING	1	1	1	1				
58	3	127695-61840	BUSH	1	1	1	1				
59	3	119594-61850	LEVER	1	1	1	1				
60	3	119593-61860	SHAFT	1	1	1	1				
61	3	119593-61890	INTERMEDIATE	1	1	1	1				
62	3	22117-050000	WASHER 5	2	2	2	2				
63	3	22117-080000	WASHER 8	1	1	1	1				
64	3	22117-080000	WASHER 8	1	1	1	1				
65	3	22137-080000	WASHER 8, POLISHED	1	1	1	1				
66	3	22190-080000	SEAL WASHER 8(BOLT)	2	2	2	2				
67	3	22190-120002	SEAL WASHER 12	1	1	1	1				
68	3	22190-160002	SEAL WASHER 16S	1	1	1	1				
69	3	22217-080000	SPRING WASHER 8	1	1	1	1				
70	3	22272-000040	CIRCLIP E- 4	1	1	1	1				
71	3	22272-000060	CIRCLIP E- 6	1	1	1	1				
72	3	22272-000060	CIRCLIP E- 6	1	1	1	1				

++ CONTINUE ++

Fig.43.GOVERNOR

Y00R4782

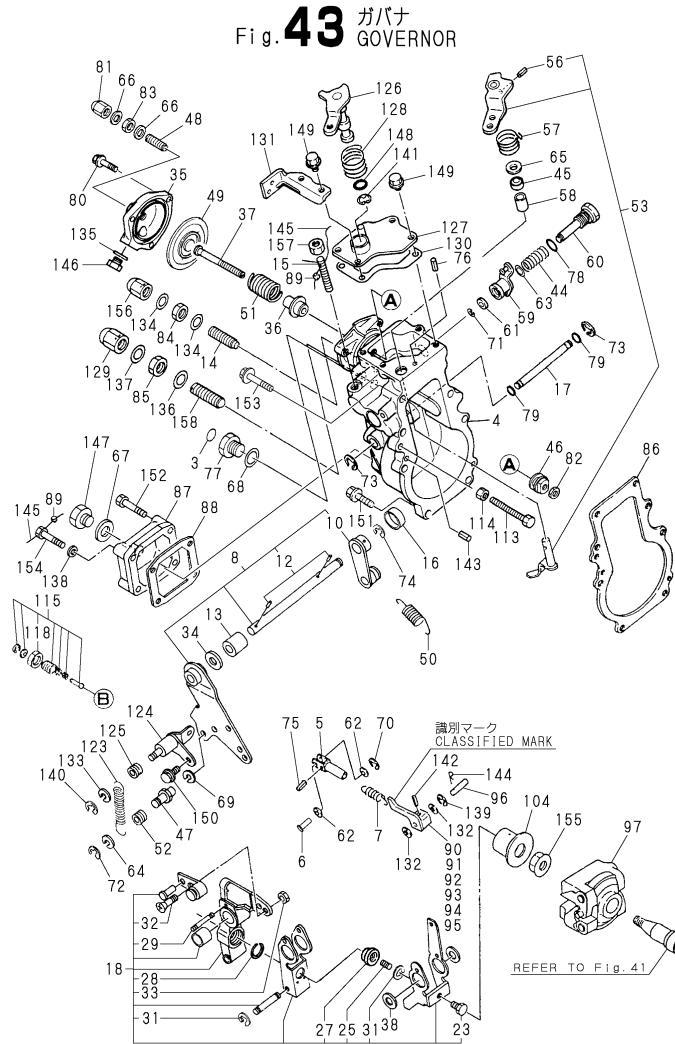


Fig. 43 ガバナ GOVERNOR

Remarks  
 (1)PITCH 51  
 (2)PITCH 52  
 (3)PITCH 53  
 (4)PITCH 51.5  
 (5)PITCH 52.5  
 (6)PITCH 53.5

(A)=4LHA-STE(P) (D)=4LHA-DTZE(P)  
 (B)=4LHA-STZE(P) (E)=4LHA-HTZE(P)  
 (C)=4LHA-DTE(P) (F)=4LHA-HTZE(P)

REF.	LEV.	PARTS NO.	DESCRIPTION	QTY						I	R
				(A)	(B)	(C)	(D)	(E)	(F)		
73	3	22272-000080	CIRCLIP E- 8	2	2	2	2				
74	3	22272-000080	CIRCLIP E- 8	1	1	1	1				
75	3	22351-030016	SPRING PIN 3X16	1	1	1	1				
76	3	22492-060362	PIN 6X 36	1	1	1	1				
77	3	23887-160002	PLUG 16,HEX.	1	1	1	1				
78	3	24311-000120	O-RING 1A P 12.0	1	1	1	1				
79	3	24341-000080	O-RING 1A S-8.0	2	2	2	2				
80	3	26106-060182	BOLT M 6X 18 PLATED	3	3	3	3				
81	3	26667-080002	CAP NUT M 8	1	1	1	1				
82	3	26756-060002	LOCK NUT 6	1	1	1	1				
83	3	26756-080002	LOCK NUT M 8 PLATED	1	1	1	1				
84	3	26756-080002	LOCK NUT M 8 PLATED	1	1	1	1				
85	3	26777-120002	NUT 12	1	1	1	1				
86	2	119000-61051	GASKET, (NON-ASB.)	1	1						
86-1	2	119000-61052	GASKET, GOV. CASE	1	1	1	1				R
(A=E/#50507) (B=E/#A0421)											
87	2	119187-61071	HOUSING, GOVERNOR.	1	1	1	1				
88	2	127695-61071	GASKET	1	1	1	1				
89	2	135210-61090	LEAD	3	3	3	3				
90	2	119593-61100	LINK	1	1	1	1				1
91	2	119593-61110	LINK	1	1	1	1				2
92	2	119593-61120	LINK	1	1	1	1				3
93	2	119593-61130	LINK (RACK. 10.5	1	1	1	1				4
94	2	119593-61140	LINK (RACK. 11.5	1	1	1	1				5
95	2	119593-61150	LINK (RACK. 12.5	1	1	1	1				6
96	2	119000-61180	PIN, LINK	1	1	1	1				
97	2	119173-61200	WEIGHT ASSY, GOV.	1	1	1	1				
104	2	119187-61300	SLEEVE ASSY	1	1	1	1				
113	2	171353-61460	BOLT, IDLE LIMIT	1	1	1	1				
114	2	119000-61470	NUT	1	1	1	1				
115	2	119174-61550	ANGLEICH ASSY	1	1	1	1				
118	3	124616-61580	NUT	1	1	1	1				
123	2	119173-61651	SPRING	1	1	1	1				
124	2	119173-61660	SUPPORT	1	1	1	1				
125	2	144626-61781	PIECE, SPRING	1	1	1	1				
126	2	119593-61900	LEVER	1	1	1	1				
127	2	119593-61910	COVER	1	1	1	1				
128	2	119593-61920	SPRING	1	1	1	1				
129	2	129100-61930	NUT, CAP	1	1	1	1				
130	2	127695-61961	GASKET	1	1	1	1				
131	2	119593-61990	BRACKET	1	1	1	1				
132	2	22117-050000	WASHER 5	2	2	2	2				
133	2	22117-080000	WASHER 8	1	1	1	1				
134	2	22190-080002	SEAL WASHER 8S	2	2	2	2				
135	2	22190-100002	SEAL WASHER 10S	1	1	1	1				
136	2	22190-120002	SEAL WASHER 12	1	1	1	1				
137	2	22190-120002	SEAL WASHER 12	1	1	1	1				
138	2	22217-060000	SPRING WASHER 6	1	1	1	1				
139	2	22272-000040	CIRCLIP E- 4	1	1	1	1				
140	2	22272-000060	CIRCLIP E- 6	1	1	1	1				
141	2	22272-000100	CIRCLIP E-10	1	1	1	1				
142	2	22351-030025	SPRING PIN 3X25	1	1	1	1				
143	2	22351-050020	SPRING PIN 5X20	2	2	2	2				
144	2	22372-050000	SNAP PIN JASO 5	1	1	1	1				

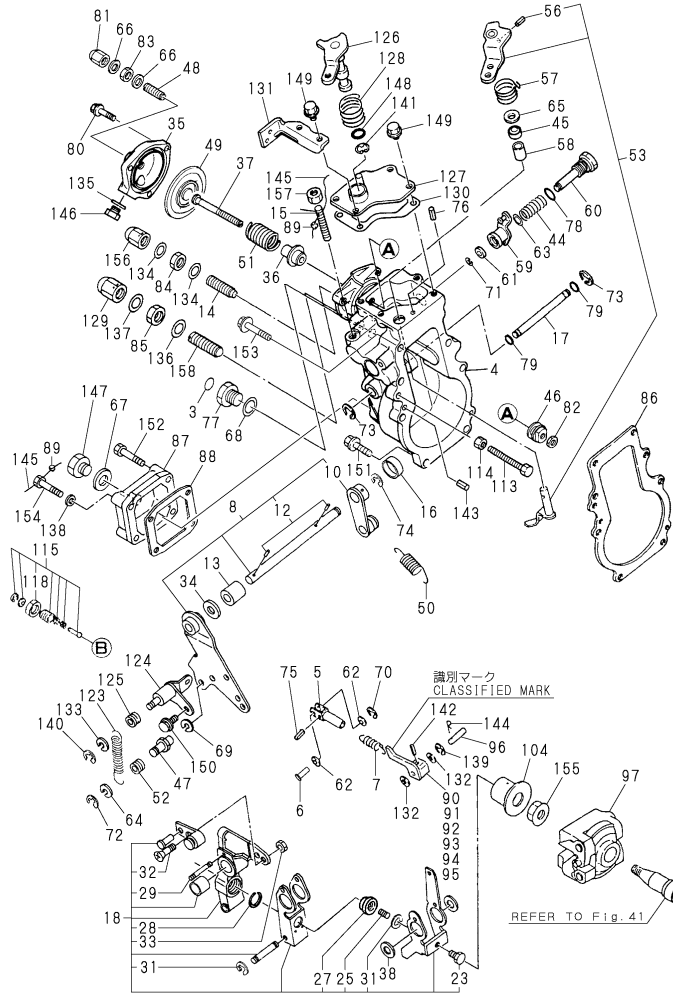
++ CONTINUE ++



Fig.43.GOVERNOR

Y00R4782

Fig. 43 ガバナ GOVERNOR



Remarks  
 (1)PITCH 51  
 (2)PITCH 52  
 (3)PITCH 53  
 (4)PITCH 51.5  
 (5)PITCH 52.5  
 (6)PITCH 53.5

(A)=4LHA-STE(P)  
 (B)=4LHA-STZE(P)  
 (C)=4LHA-DTE(P)

(D)=4LHA-DTZE(P)  
 (E)=4LHA-HTE(P)  
 (F)=4LHA-HTZE(P)

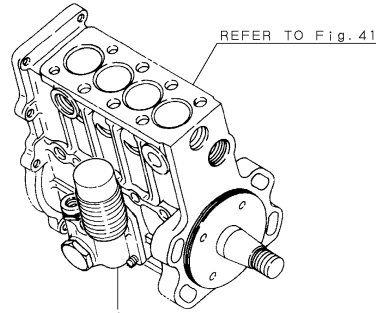
REF.	LEV.	PARTS NO.	DESCRIPTION	QTY						I	R
				(A)	(B)	(C)	(D)	(E)	(F)		
145	2	22453-060000	WIRE 0.6X1000	3	3	3	3				
146	2	23887-100002	PLUG 10	1	1	1	1				
147	2	23887-120002	PLUG M12,HEX.	1	1	1	1				
148	2	24311-000110	O-RING 1A P-11.0	1	1	1	1				
149	2	26106-060122	BOLT M 6X 12 PLATED	4	4	4	4				
150	2	26106-060122	BOLT M 6X 12 PLATED	1	1	1	1				
151	2	26106-060222	BOLT M 6X 22 PLATED	6	6	6	6				
152	2	26106-060302	BOLT M 6X 30 PLATED	3	3	3	3				
153	2	26106-060402	BOLT M 6X 40 PLATED	1	1	1	1				
154	2	26116-060306	BOLT M 6X 30 PLATED	1	1	1	1				
155	2	26376-120002	U-NUT M12	1	1	1	1				
156	2	26667-080002	CAP NUT M 8	1	1	1	1				
157	2	26756-080002	LOCK NUT M 8 PLATED	1	1	1	1				
158	2	26911-080402	SCREW	1	1	1	1				

Fig.44.FUEL FEED PUMP

(A)=4LHA-STE(P) (D)=4LHA-DTZE(P)  
 (B)=4LHA-STZE(P) (E)=4LHA-HTE(P)  
 (C)=4LHA-DTE(P) (F)=4LHA-HTZE(P)

Y00R4782

Fig. 44 燃料フィードポンプ  
 FUEL FEED PUMP



REF.	LEV.	PARTS NO.	DESCRIPTION	QTY						I	R
				(A)	(B)	(C)	(D)	(E)	(F)		
1	1	119593-52000	PUMP ASSY,FUEL FEED	1	1	1	1				
2	2	121820-52020	HOUSING ASSY, FEED P	1	1	1	1				
4	3	121820-52040	SEAL, OIL	1	1	1	1				
5	3	121820-52050	GASKET	2	2	2	2				
6	2	121820-52070	PIN, SNAP	1	1	1	1				
14	2	135200-52170	PISTON	1	1	1	1				
15	2	119588-52180	SPRING,PISTON	1	1	1	1				
16	2	119588-52190	PLUG	1	1	1	1				
17	2	119593-52180	SPRING, PISTON	1	1	1	1				
18	2	121820-52200	GASKET	1	1	1	1				
19	2	121820-52210	VALVE	2	2	2	2				
20	2	121820-52230	ADAPTER	1	1	1	1				
21	2	124410-51861	GASKET, (NON-ASB.)	1	1	1	1				
22	2	121820-52300	PUMP, PRIMING	1	1	1	1				
23	2	121820-52510	SPRING, VALVE	2	2	2	2				
24	2	22217-060000	SPRING WASHER 6	3	3	3	3				
25	2	26716-060002	NUT 6	3	3	3	3				

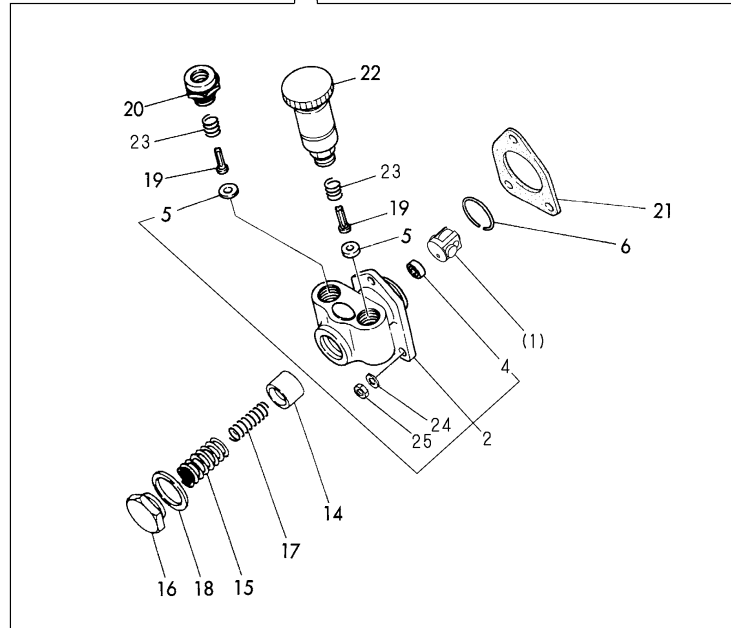


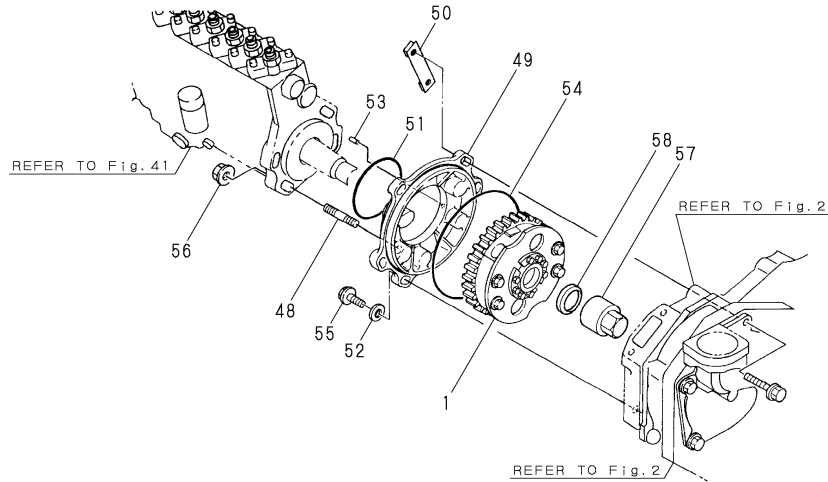
Fig.45.TIMER

(A)=4LHA-STE(P) (D)=4LHA-DTZE(P)  
 (B)=4LHA-STZE(P) (E)=4LHA-HTE(P)  
 (C)=4LHA-DTE(P) (F)=4LHA-HTZE(P)

REF.	LEV.	PARTS NO.	DESCRIPTION	QTY						I	R
				(A)	(B)	(C)	(D)	(E)	(F)		
1	1	719175-54800	TIMER ASSY	1	1						
1-1	1	719175-54801	TIMER ASSY	1	1						N
		(A=E/#50831) (B=E/#A0543)									
25	1	719588-54800	TIMER ASSY				1	1			
48	1	121850-01900	STUD M10X 32	4	4	4	4				
49	1	119000-25910	MOUNT, FUEL INJ.PUMP	1	1	1	1				
50	1	119000-25920	RETAINER	1	1	1	1				
51	1	124410-51960	O-RING	1	1	1	1				
52	1	106100-55800	WASHER	3	3	3	3				
53	1	22351-050012	PIN 5X12,SPRING	1	1	1	1				
54	1	24341-001350	O-RING 1A S-135.0	1	1	1	1				
55	1	26106-080252	BOLT M 8X 25 PLATED	3	3	3	3				
56	1	26306-100002	NUT	4	4	4	4				
57	1	144606-54900	CAP NUT	1	1	1	1				
58	1	144606-54910	WASHER	1	1	1	1				

Fig.45 タイマ  
 TIMER

4LHA-STE (P)  
 4LHA-STZE (P)



4LHA-DTE (P)  
 4LHA-DTZE (P)

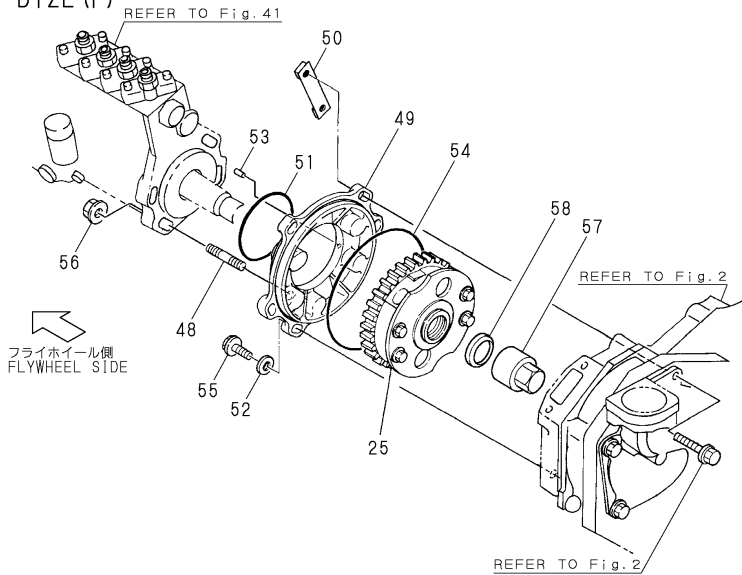


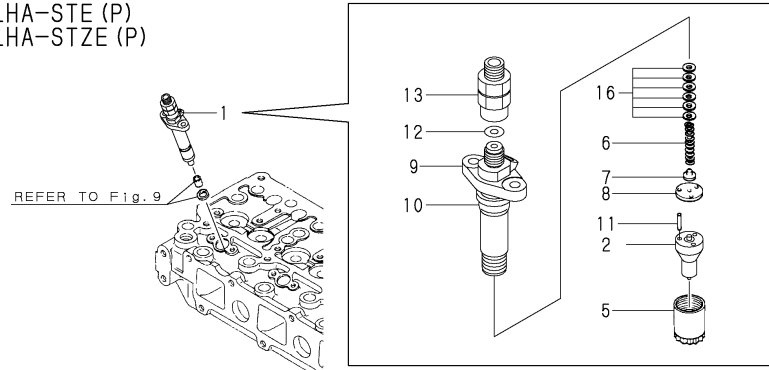
Fig.46.FUEL INJECTION VALVE

(A)=4LHA-STE(P) (D)=4LHA-DTZE(P)  
 (B)=4LHA-STZE(P) (E)=4LHA-HTE(P)  
 (C)=4LHA-DTE(P) (F)=4LHA-HTZE(P)

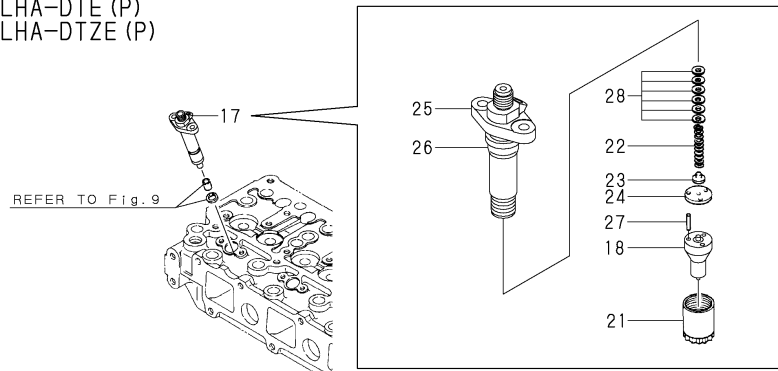
Y00R4782

Fig. 46 燃料喷射弁  
 FUEL INJECTION VALVE

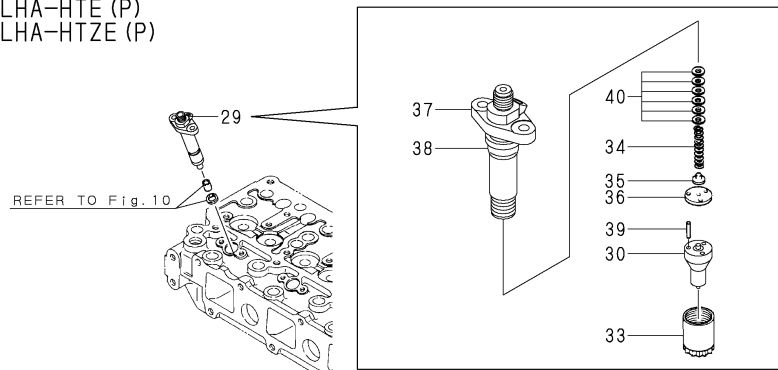
4LHA-STE (P)  
 4LHA-STZE (P)



4LHA-DTE (P)  
 4LHA-DTZE (P)



4LHA-HTE (P)  
 4LHA-HTZE (P)



REF.	LEV.	PARTS NO.	DESCRIPTION	QTY						I	R
				(A)	(B)	(C)	(D)	(E)	(F)		
1	1	719175-53200	VALVE ASSY, F.INJECT	4	4						
2	2	119175-53050	NOZZLE ASSY	4	4						
5	2	114250-53080	NUT, NOZZLE CASE	4	4						
6	2	119593-53120	SPRING	4	4						
7	2	114250-53130	SEAT, NOZZLE SPRING	4	4						
8	2	114250-53140	PLATE, STOP	4	4						
9	2	119175-53200	BODY,NOZZLE HOLDER	4	4						
10	2	129470-11920	GASKET	4	4						
11	2	114250-53210	PIN	8	8						
12	2	119594-53290	GASKET	4	4						
13	2	119175-53300	JOINT CMP	4	4						
16	2	114250-53400	SHIM PACK	4	4						
17	1	719173-53200	VALVE ASSY, F.INJECT			4	4				
18	2	119173-53050	NOZZLE ASSY			4	4				
21	2	114250-53080	NUT, NOZZLE CASE			4	4				
22	2	114250-53120	SPRING, NOZZLE			4	4				
23	2	114250-53130	SEAT, NOZZLE SPRING			4	4				
24	2	114250-53140	PLATE, STOP			4	4				
25	2	119045-53100	BODY,NOZZLE HOLDER			4	4				
26	2	129470-11920	GASKET			4	4				
27	2	114250-53210	PIN			8	8				
28	2	114250-53400	SHIM PACK			4	4				
29	1	719172-53200	VALVE ASSY,F.INJECT					4	4		
30	2	119172-53050	NOZZLE					4	4		
33	2	114250-53080	NUT, NOZZLE CASE					4	4		
34	2	114250-53120	SPRING, NOZZLE					4	4		
35	2	114250-53130	SEAT, NOZZLE SPRING					4	4		
36	2	114250-53140	PLATE, STOP					4	4		
37	2	119045-53100	BODY,NOZZLE HOLDER					4	4		
38	2	129470-11920	GASKET					4	4		
39	2	114250-53210	PIN			8	8				
40	2	114250-53400	SHIM PACK					4	4		

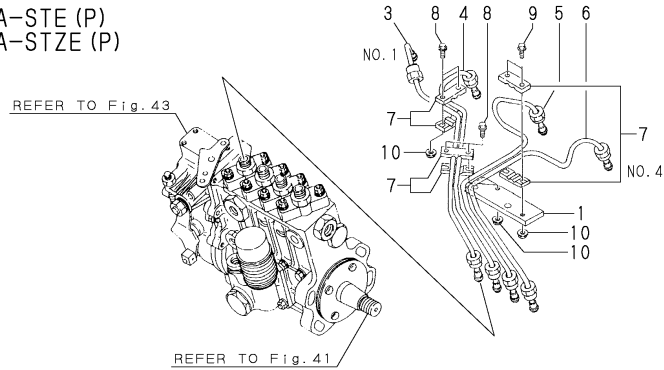
Fig.47.FUEL INJECTION PIPE

(A)=4LHA-STE(P) (D)=4LHA-DTZE(P)  
 (B)=4LHA-STZE(P) (E)=4LHA-HTE(P)  
 (C)=4LHA-DTE(P) (F)=4LHA-HTZE(P)

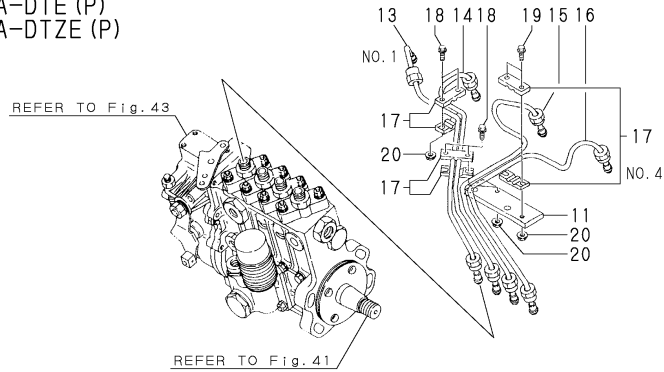
Y00R4782

Fig.47 燃料噴射パイプ  
 FUEL INJECTION PIPE

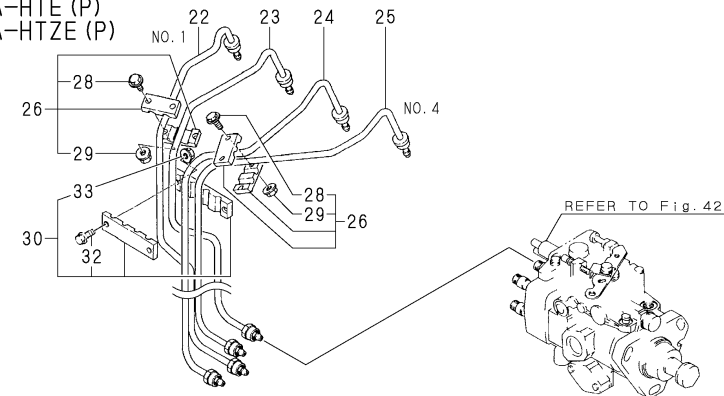
4LHA-STE (P)  
 4LHA-STZE (P)



4LHA-DTE (P)  
 4LHA-DTZE (P)



4LHA-HTE (P)  
 4LHA-HTZE (P)



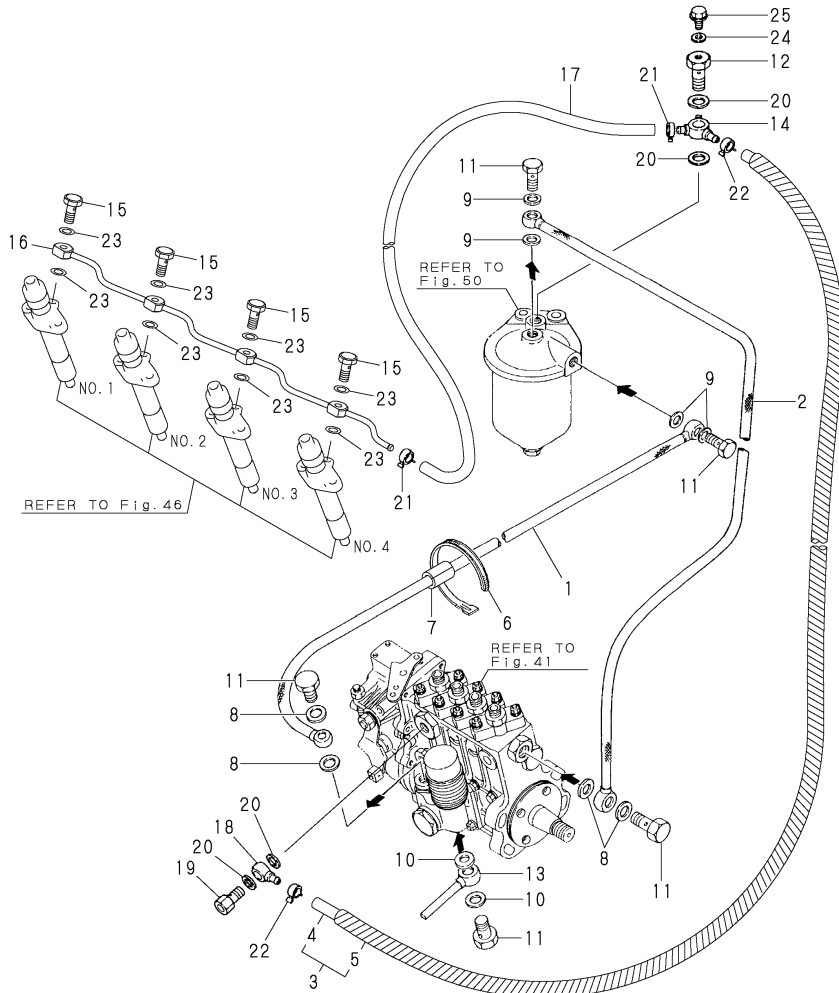
REF.	LEV.	PARTS NO.	DESCRIPTION	QTY						I	R
				(A)	(B)	(C)	(D)	(E)	(F)		
1	1	119181-59120	BRACKET,STEADY REST	1	1						
I 1-1	1	119181-59130 (A=E/#52121) (B=#2001.06)	BRACKET,STEADY REST	1	1						N
3	1	119181-59811	PIPE,FUEL INJECTION	1	1						
4	1	119181-59821	PIPE, FUEL INJECTION	1	1						
5	1	119181-59831	PIPE, FUEL INJECTION	1	1						
6	1	119181-59841	PIPE, FUEL INJECTION	1	1						
7	1	122780-59100	RETAINER	6	6						
8	1	26106-060202	BOLT M 6X 20 PLATED	4	4						
9	1	26106-060252	BOLT M 6X 25 PLATED	2	2						
10	1	26366-060002	NUT M 6	4	4						
11	1	119181-59130	BRACKET,STEADY REST					1	1		
13	1	119173-59810	PIPE CMP,#1 F.O.INJ.					1	1		
14	1	119173-59820	PIPE CMP,#2 F.O.INJ.					1	1		
15	1	119173-59830	PIPE CMP,#3 F.O.INJ.					1	1		
16	1	119173-59840	PIPE CMP,#4 F.O.INJ.					1	1		
17	1	122780-59100	RETAINER					6	6		
18	1	26106-060202	BOLT M 6X 20 PLATED					4	4		
19	1	26106-060252	BOLT M 6X 25 PLATED					2	2		
20	1	26366-060002	NUT M 6					2	2		
22	1	119172-59810	PIPE CMP,#1 F.O.INJ.							1	1
23	1	119172-59820	PIPE CMP,#2 F.O.INJ.							1	1
24	1	119172-59830	PIPE CMP,#3 F.O.INJ.							1	1
25	1	119172-59840	PIPE CMP,#4 F.O.INJ.							1	1
26	1	122780-59080	RETAINER							2	2
28	2	26106-060202	BOLT M 6X 20 PLATED							4	4
29	2	26366-060002	NUT M 6							4	4
30	1	123472-59090	RETAINER							1	1
32	2	26106-060202	BOLT M 6X 20 PLATED							2	2
33	2	26366-060002	NUT M 6							2	2

Fig.48.FUEL PIPE(4LHA-ST/DT(Z)E(P))

(A)=4LHA-STE(P)  
 (B)=4LHA-STZE(P)  
 (C)=4LHA-DTE(P)  
 (D)=4LHA-DTZE(P)  
 (E)=4LHA-HTE(P)  
 (F)=4LHA-HTZE(P)

Y00R4782

Fi g. **48** 燃料パイプ (4LHA-ST/DT (Z) E (P) )  
 FUEL PIPE (4LHA-ST/DT (Z) E (P) )

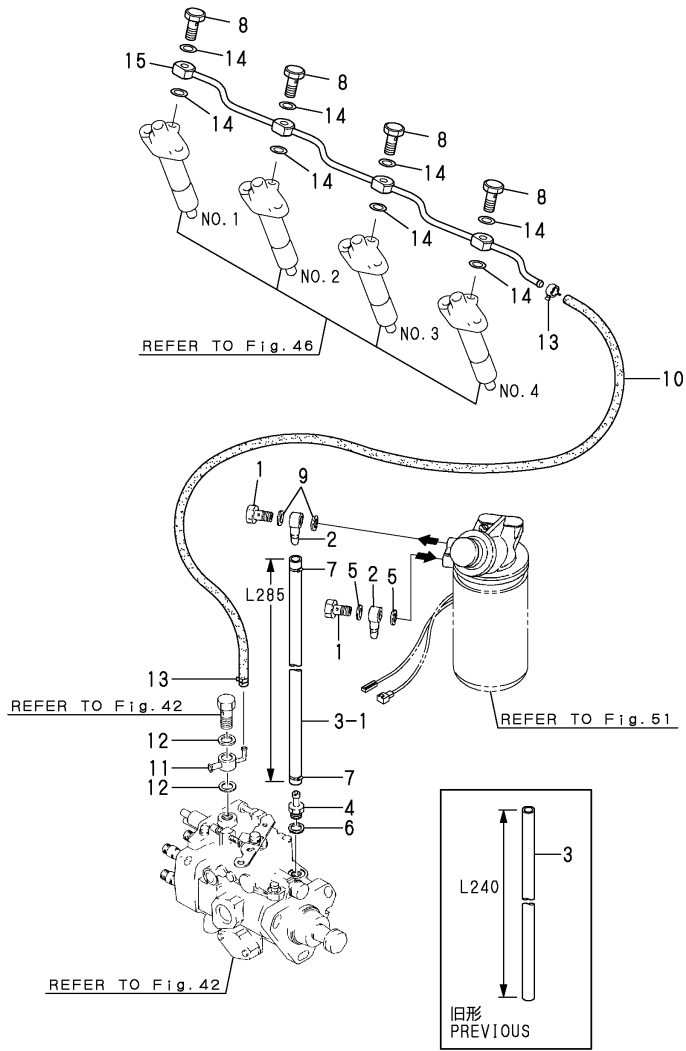


REF.	LEV.	PARTS NO.	DESCRIPTION	QTY						I	R
				(A)	(B)	(C)	(D)	(E)	(F)		
1	1	119187-59011	PIPE, FUEL	1	1						
1-1	1	119187-59012	PIPE, FUEL	1	1	1	1				N
		(A=E/#50514) (B=E/#A0421)									
2	1	119187-59020	PIPE, FUEL	1	1						
2-1	1	119187-59021	PIPE, FUEL OIL	1	1	1	1				N
		(A=E/#50514) (B=E/#A0421)									
3	1	119187-59530	PIPE 7.3X13.0X500	1	1						
3-1	1	119187-59532	PIPE, FUEL OIL	1	1						N
		(A=E/#50514) (B=E/#A0421)									
3-2	1	119173-59540	PIPE, FUEL RETURN	1	1	1	1				R
		(A=E/#50759) (B=E/#A0515)									
4	2	119187-59532	PIPE, FUEL OIL	1	1	1	1				
5	2	119173-59460	REOTECTOR,FUEL PIPE	1	1	1	1				
6	1	121750-59890	CLAMP 140	1	1	1	1				
7	1	124770-77940	PROTECTOR	1	1	1	1				
8	1	22190-140002	SEAL WASHER 14S	4	4	4	4				
9	1	22190-140002	SEAL WASHER 14S	4	4	4	4				
I	10	1	23414-140000	GASKET 14, ROUND	2	2	2	2			Z
		(A=E/EXXX) (B=E/EXXX) (C=E/EXXX) (D=E/EXXX)									
I	10-1	1	22190-140002	SEAL WASHER 14S	2	2	2	2			N
		(A=E/EXXX) (B=E/EXXX) (C=E/EXXX) (D=E/EXXX)									
11	1	23857-080000	JOINT BOLT 8,PIPE	5	5	5	5				
12	1	129495-59300	BOLT, PIPE JOINT	1	1	1	1				
13	1	123325-59420	PIPE ASSY	1	1	1	1				
14	1	129470-59530	JOINT,FUEL RETN.PIPE	1	1						
14-1	1	119175-59500	JOINT,FUEL RETN.PIPE	1	1	1	1				N
		(A=E/#50919) (B=E/#A5721)									
15	1	129491-59540	BOLT 6,PIPE JOINT	4	4	4	4				
16	1	119175-59550	FOP CMP	1	1	1	1				
17	1	129495-59561	PIPE L190	1	1						
17-1	1	129495-59563	PIPE, FUEL OIL	1	1						N
		(A=E/#50514) (B=E/#A0421)									
17-2	1	119175-59560	PIPE,FUEL	1	1	1	1				N
		(A=E/#50552) (B=E/#A0421)									
18	1	121750-59910	JOINT 14, PIPE	1	1	1	1				
19	1	119181-59950	VALVE ASSY,CHECK	1	1	1	1				
20	1	22190-140002	SEAL WASHER 14S	4	4	4	4				
21	1	23000-013000	CLAMP 13	2	2						
21-1	1	23000-016000	CLAMP 16	2	2	2	2				N
		(A=E/#50514) (B=E/#A0421)									
22	1	23000-013000	CLAMP 13	2	2						
22-1	1	23000-019000	CLAMP 19	2	2						N
		(A=E/#50514) (B=E/#A0421)									
22-2	1	23000-016000	CLAMP 16	2	2	2	2				R
		(A=E/#50552) (B=E/#A0421)									
23	1	23414-060000	GASKET 6, ROUND	8	8						
23-1	1	22190-060002	SEAL WASHER 6S	8	8	8	8				N
		(A=E/#51029) (B=E/#A0624)									
24	1	23414-080000	GASKET 8, ROUND	1	1						
24-1	1	22190-080002	SEAL WASHER 8S	1	1	1	1				N
		(A=E/#51029) (B=E/#A0624)									
25	1	26106-080102	BOLT M 8X 10 PLATED	1	1	1	1				

(A)=4LHA-STE(P) (D)=4LHA-DTZE(P)  
 (B)=4LHA-STZE(P) (E)=4LHA-HTE(P)  
 (C)=4LHA-DTE(P) (F)=4LHA-HTZE(P)

Fig.49.FUEL PIPE(4LHA-HT(Z)E(P))

P/C NEWS No. :Y00R4782-5  
 PUBLISHED : 2006/2



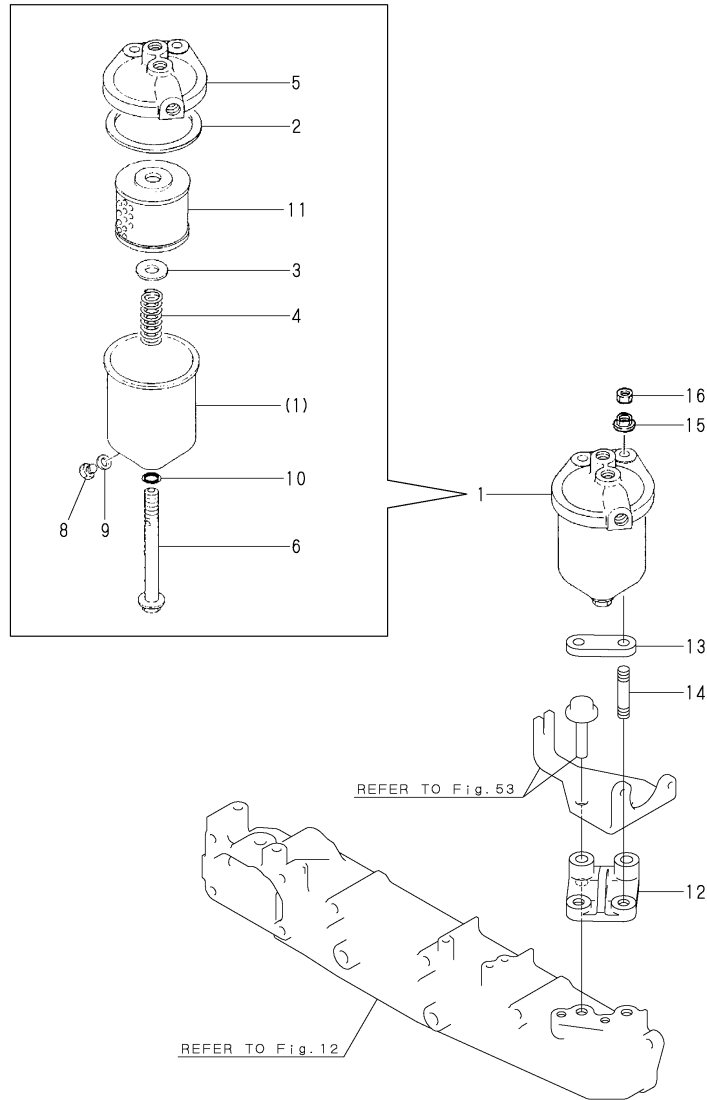
REF.	LEV.	PARTS NO.	DESCRIPTION	QTY						I	R		
				(A)	(B)	(C)	(D)	(E)	(F)				
1	1	194256-04820	BOLT						2		2		
2	1	101304-59020	JOINT 12, PIPE						2		2		
3	1	119172-59201	PIPE,FUEL						1		1		
I	3-1	1	119172-59210								1	1	S
						(E="2006.01)					(F="2006.01)		
4	1	119171-59910	JOINT, PIPE						1		1		
5	1	22190-120002	SEAL WASHER 12						2		2		
6	1	22190-120002	SEAL WASHER 12						1		1		
7	1	23000-019000	CLAMP 19						2		2		
8	1	129491-59540	BOLT 6,PIPE JOINT						4		4		
9	1	22190-120002	SEAL WASHER 12						2		2		
10	1	119182-59562	PIPE,FUEL						1		1		
11	1	119171-59990	JOINT, PIPE						1		1		
I	11-1	1	129901-59580								1	1	N
						(E="2002.07)					(F="2002.07)		
12	1	22190-120002	SEAL WASHER 12						2		2		
13	1	23000-016000	CLAMP 16						2		2		
14	1	22190-060002	SEAL WASHER 6S						8		8		
15	1	119175-59550	FOP CMP						1		1		

Fig.50.FUEL STRAINER(4LHA-ST/DT(Z)E(P))

(A)=4LHA-STE(P) (D)=4LHA-DTZE(P)  
 (B)=4LHA-STZE(P) (E)=4LHA-HTE(P)  
 (C)=4LHA-DTE(P) (F)=4LHA-HTZE(P)

Y00R4782

Fig. 50 燃料フィルタ (4LHA-ST/DT (Z) E (P))  
 FUEL STRAINER (4LHA-ST/DT (Z) E (P))

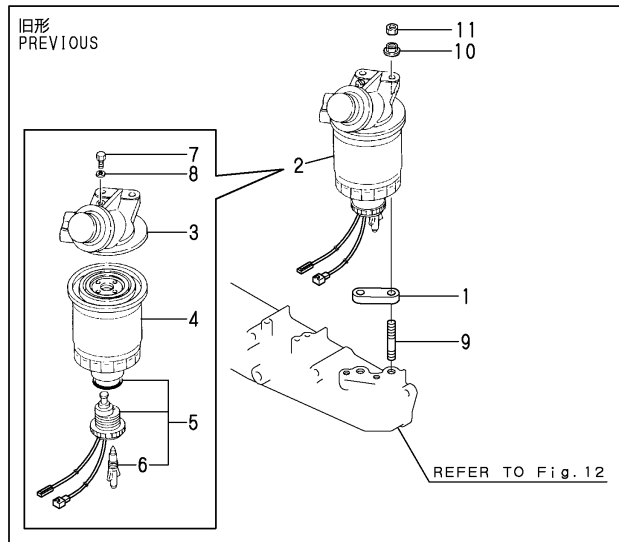
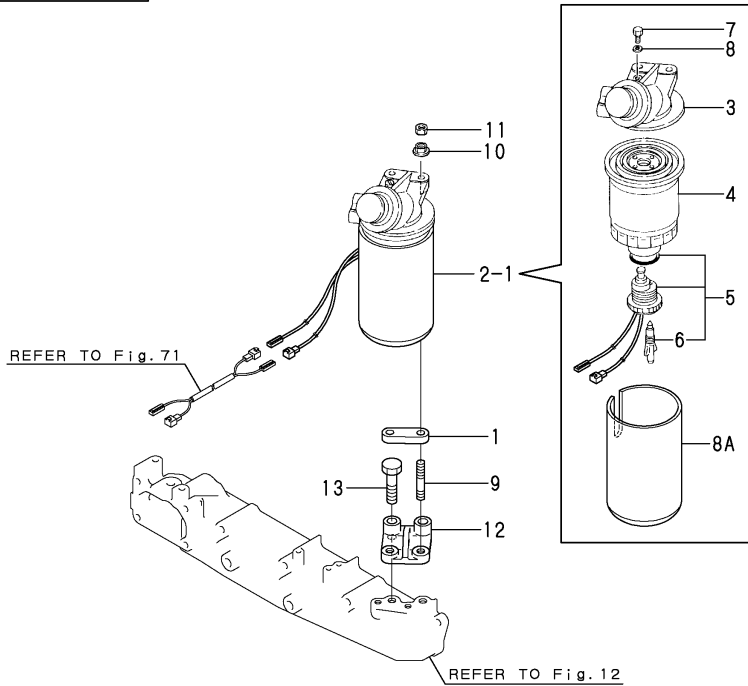


REF.	LEV.	PARTS NO.	DESCRIPTION	QTY						I	R
				(A)	(B)	(C)	(D)	(E)	(F)		
1	1	129495-55600	STRAINER ASSY	1	1	1	1				
2	2	123325-35140	GASKET	1	1	1	1				
3	2	123325-35160	WASHER	1	1	1	1				
4	2	123325-35170	SPRING	1	1	1	1				
5	2	129495-55610	BODY, STRAINER	1	1	1	1				
6	2	129495-55620	CENTER BOLT	1	1	1	1				
8	2	123672-55750	PLUG	1	1	1	1				
9	2	123672-55760	GASKET	1	1	1	1				
10	2	24311-000120	O-RING 1A P 12.0	1	1	1	1				
11	2	41650-550800	ELEMENT, FUEL OIL	1	1	1	1				
12	1	119175-55650	BRACKET,FO FILTER	1	1	1	1				
13	1	119173-55700	RUBBER	1	1	1	1				
14	1	26216-100402	STUD M12X 40 PLATED	2	2	2	2				
15	1	26306-100002	NUT	2	2	2	2				
16	1	26756-100002	LOCK NUT M10 PLATED	2	2	2	2				



Fig.51.FUEL STRAINER(4LHA-HT(Z)E(P))

P/C NEWS No. :Y00R4782-5  
PUBLISHED : 2006/2



Y00R4782 51.FUEL STRAINER(4LHA-HT(Z)E(P))

(A)=4LHA-STE(P) (D)=4LHA-DTZE(P)  
(B)=4LHA-STZE(P) (E)=4LHA-HTE(P)  
(C)=4LHA-DTE(P) (F)=4LHA-HTZE(P)

REF.	LEV.	PARTS NO.	DESCRIPTION	QTY						I	R		
				(A)	(B)	(C)	(D)	(E)	(F)				
1	1	119173-55700	RUBBER							1	1		
2	1	121857-55800	SEPARATOR ASSY,WATER							1	1		
I	2-1	119172-55800	F.O. FILTER ASSY							1	1	S	
						(E=*2006.01)				(F=*2006.01)			
3	2	121857-55630	BODY,FUEL STRAINER							1	1		
4	2	121857-55710	FILTER, SEPARATOR							1	1		
5	2	121857-55730	SENDER							1	1		
I	6	121857-55740	PLUG							1	1		
7	2	121857-55750	PLUG							1	1		
8	2	121857-55760	WASHER							1	1		
I	8A	119172-55810	CASE KIT,FO FILTER							1	1	W	
						(E=*2006.01)				(F=*2006.01)			
9	1	26216-080402	STUD M 8X 40 PLATED							2	2		
10	1	26306-080002	NUT							2	2		
11	1	26756-080002	LOCK NUT M 8 PLATED							2	2		
I	12	119172-55650	BRACKET,FUEL FILTER							1	1	W	
						(E=*2006.01)				(F=*2006.01)			
I	13	26106-100402	BOLT M10X 40 PLATED							2	2	W	
						(E=*2006.01)				(F=*2006.01)			

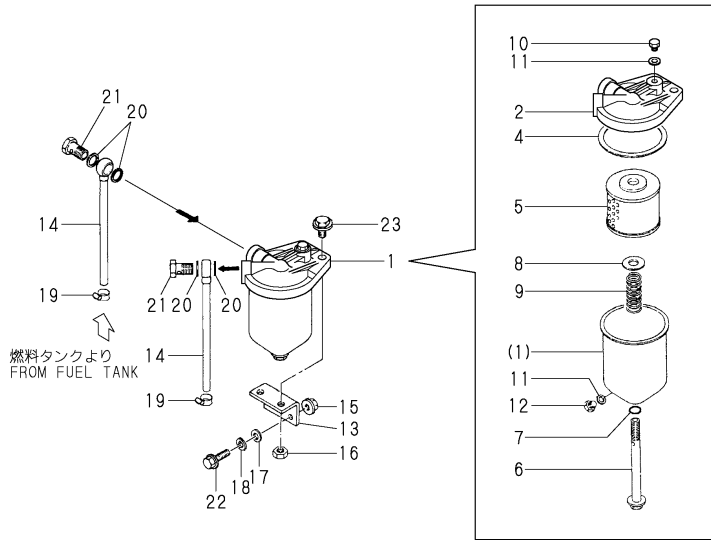
Fig.52.OIL/WATER SEPARATER(OPTIONAL)

(A)=4LHA-STE(P)  
(B)=4LHA-STZE(P)  
(C)=4LHA-DTE(P)

(D)=4LHA-DTZE(P)  
(E)=4LHA-HTE(P)  
(F)=4LHA-HTZE(P)

Y00R4782

Fig. 52 油水分離器 (オプション)  
OIL/WATER SEPARATER (OPTIONAL)



REF.	LEV.	PARTS NO.	DESCRIPTION	QTY						I	R
				(A)	(B)	(C)	(D)	(E)	(F)		
1	1	120324-55750	SEPARATOR	1	1	1	1				
2	2	X2740134001	COVER ASSY	1	1	1	1				
4	2	X0582810173	GASKET	1	1	1	1				
5	2	120324-55760	ELEMENT,FUEL OIL	1	1	1	1				
6	2	X0311121522	CENTER BOLT	1	1	1	1				
7	2	X0580121073	O-RING 1A P 12.0	1	1	1	1				
8	2	X0300120414	SPRING SEAT	1	1	1	1				
9	2	X0600160122	SPRING	1	1	1	1				
10	2	X0314080110	PLUG	1	1	1	1				
11	2	X0588080273	GASKET	2	2	2	2				
12	2	X0313080110	BOLT	1	1	1	1				
13	1	123672-55811	BRACKET	1	1	1	1				
14	1	123325-59420	PIPE ASSY	2	2	2	2				
15	1	26306-080002	NUT	2	2	2	2				
16	1	26706-100002	NUT M10	2	2	2	2				
17	1	22137-080000	WASHER 8, POLISHED	2	2	2	2				
18	1	22217-080000	SPRING WASHER 8	2	2	2	2				
19	1	23000-016000	CLAMP 16	2	2	2	2				
20	1	23414-140000	GASKET 14, ROUND	4	4	4	4				
21	1	23857-080000	JOINT BOLT 8,PIPE	2	2	2	2				
22	1	26106-080402	BOLT M 8X 40 PLATED	2	2	2	2				
23	1	26106-100202	BOLT M10X 20 PLATED	2	2	2	2				

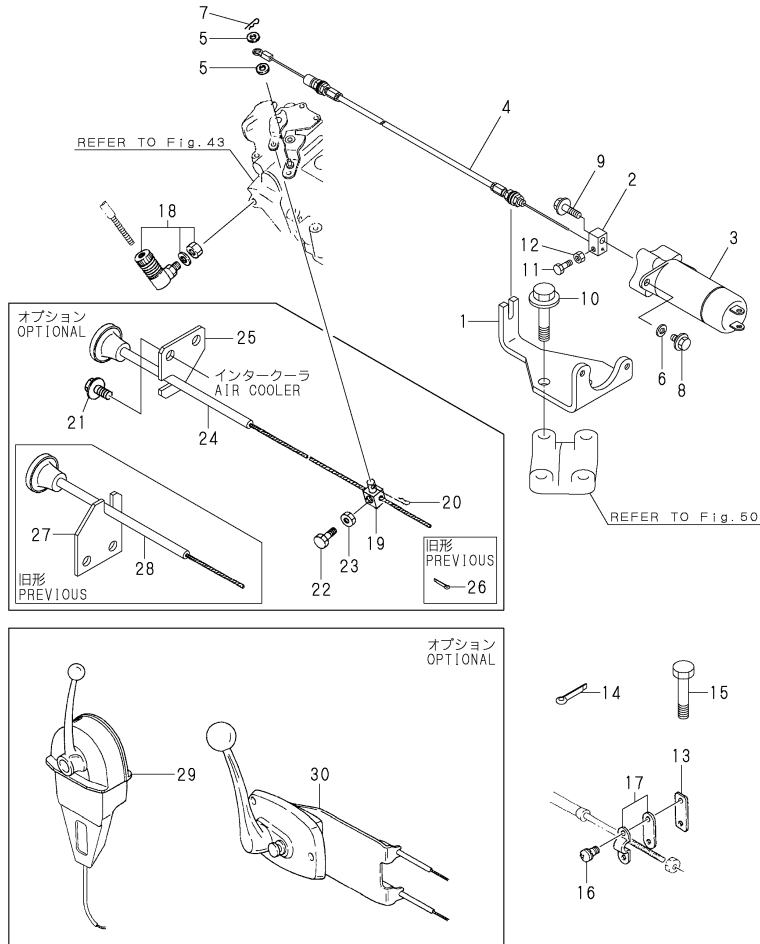
Fig.53.ENGINE STOP DEVICE(4LHA-ST/DT(Z)E(P))

(A)=4LHA-STE(P)  
(B)=4LHA-STZE(P)  
(C)=4LHA-DTE(P)

(D)=4LHA-DTZE(P)  
(E)=4LHA-HTE(P)  
(F)=4LHA-HTZE(P)

Y00R4782

Fig. 53 機関停止装置 (4LHA-ST/DT (Z) E (P))  
ENGINE STOP DEVICE (4LHA-ST/DT (Z) E (P))



REF.	LEV.	PARTS NO.	DESCRIPTION	QTY						I	R	
				(A)	(B)	(C)	(D)	(E)	(F)			
1	1	119175-66120	BRACKET,SOLENOID	1	1	1	1					
2	1	119175-67310	CLAMP	1	1	1	1					
3	1	129470-67320	ENGINE STOP SOLENOID	1	1	1	1					
4	1	119175-67350	WIRE,STOP	1	1	1	1					
5	1	22117-060000	WASHER 6	2	2	2	2					
6	1	22217-060000	SPRING WASHER 6	2	2	2	2					
7	1	22360-050000	SNAP PIN 5	1	1	1	1					
8	1	26106-060102	BOLT 6X 10 PLATED	2	2	2	2					
9	1	26106-060202	BOLT M 6X 20 PLATED	1	1	1	1					
10	1	26106-100452	BOLT M10X 45 PLATED	2	2	2	2					
11	1	26116-050142	BOLT M 5X 14 PLATED	1	1	1	1					
12	1	26756-050002	LOCK NUT M 5 PLATED	1	1	1	1					
13	1	121574-86320	RETAINER	1	1	1	1					
14	1	22414-250150	COTTER PIN 2.5X15	1	1	1	1					
15	1	26016-080202	BOLT M 8X 20	2	2	2	2					
16	1	26022-050162	SCREW M 5X 16	2	2	2	2					
17	1	41710-000410	CLAMP	1	1	1	1					
18	1	41710-001300	JOINT	1	1	1	1					
19	1	129590-67310	CLAMP	1	1	1	1					1
20	1	22360-060000	SNAP PIN 6	1	1	1	1					W 1
		(A=E/#50759) (B=E/#A0515)										
21	1	26106-080122	BOLT M 8X 12 PLATED	2	2	2	2					1
22	1	26116-050142	BOLT M 5X 14 PLATED	1	1	1	1					1
23	1	26756-050002	LOCK NUT M 5 PLATED	1	1	1	1					1
24	1	119174-67450	WIRE,CANCEL	1	1	1	1					W 1
		(A=E/#50759) (B=E/#A0515)										
25	1	119174-67900	BRACKET,CANCEL WIRE	1	1	1	1					W 1
		(A=E/#50759) (B=E/#A0515)										
26	1	22414-250150	COTTER PIN 2.5X15	1	1							Z 1
		(A=E/#50759) (B=E/#A0515)										
27	1	119175-66150	BRACKET,CANCEL WIRE	1	1							Z 1
		(A=E/#50759) (B=E/#A0515)										
28	1	119175-67400	WIRE	1	1							Z 1
		(A=E/#50759) (B=E/#A0515)										
29	1	41730-000681	MT-3 REMO-CON	1	1	1	1					1
30	1	128170-86500	MOUNT	1	1	1	1					1
30A	1	128170-86501	REMOCON HEAD (MN)	1	1	1	1					1

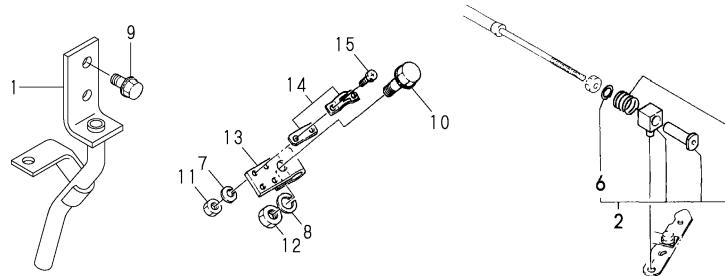
Remarks  
(1)OPTIONAL

(A)=4LHA-STE(P) (D)=4LHA-DTZE(P)  
 (B)=4LHA-STZE(P) (E)=4LHA-HTE(P)  
 (C)=4LHA-DTE(P) (F)=4LHA-HTZE(P)

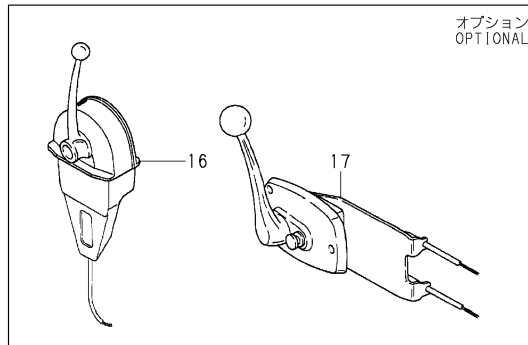
Fig.54.ENGINE STOP DEVICE(4LHA-HT(Z)E(P))

Y00R4782

Fig. 54 機関停止装置 (4LHA-HT (Z) E (P))  
 ENGINE STOP DEVICE (4LHA-HT (Z) E (P))



REFER TO Fig. 42



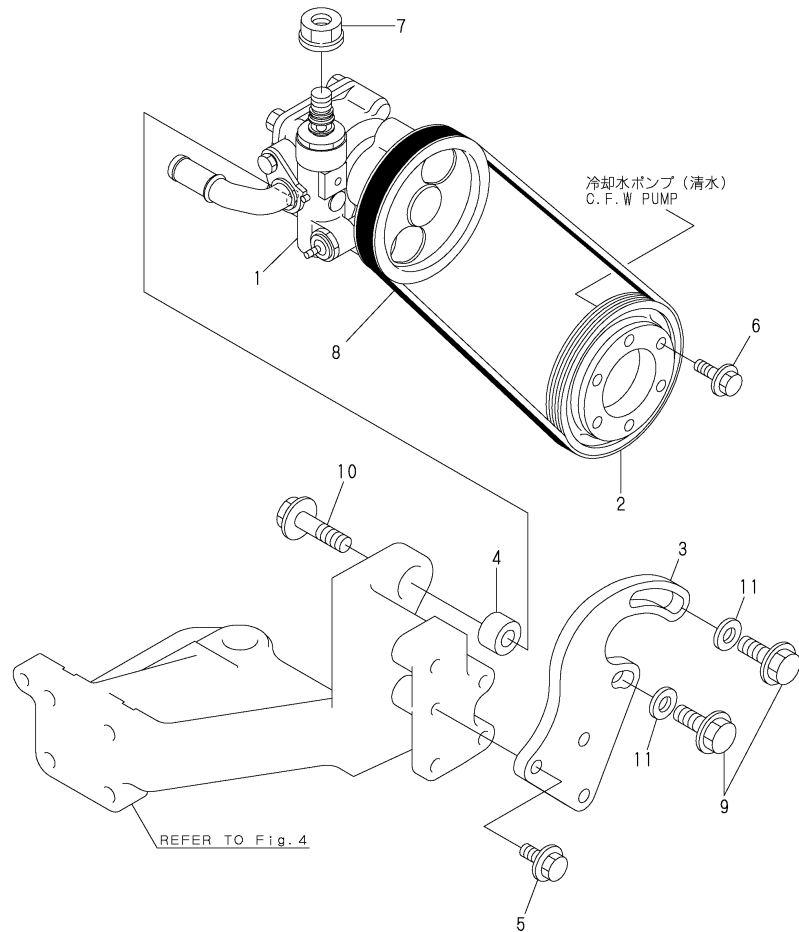
REF.	LEV.	PARTS NO.	DESCRIPTION	QTY						I	R
				(A)	(B)	(C)	(D)	(E)	(F)		
1	1	119172-67160	BRACKET, CABLE							1	1
2	1	105311-67200	RETAINER, JOINT							1	1
6	2	22242-000100	CIRCLIP 10							1	1
7	1	22217-050000	SPRING WASHER 5							2	2
8	1	22217-080000	SPRING WASHER 8							1	1
9	1	26106-080162	BOLT M 8X 16 PLATED							2	2
10	1	26106-080252	BOLT M 8X 25 PLATED							1	1
11	1	26716-050002	NUT M 5							2	2
12	1	26716-080002	NUT M 8							1	1
13	1	41701-001720	BRACKET							1	1
14	1	41710-000410	CLAMP							1	1
15	1	26557-050122	SCREW M 5X 12							2	2
16	1	41730-000681	MT-3 REMO-CON							1	1
17	1	128170-86500	MOUNT							1	1
17A	1	128170-86501	REMOCON HEAD (MN)							1	1

Fig.55.POWER STEERING PUMP

(A)=4LHA-STE(P) (D)=4LHA-DTZE(P)  
 (B)=4LHA-STZE(P) (E)=4LHA-HTE(P)  
 (C)=4LHA-DTE(P) (F)=4LHA-HTZE(P)

Y00R4782

Fig. **55** パワステポンプ  
 POWER STEERING PUMP



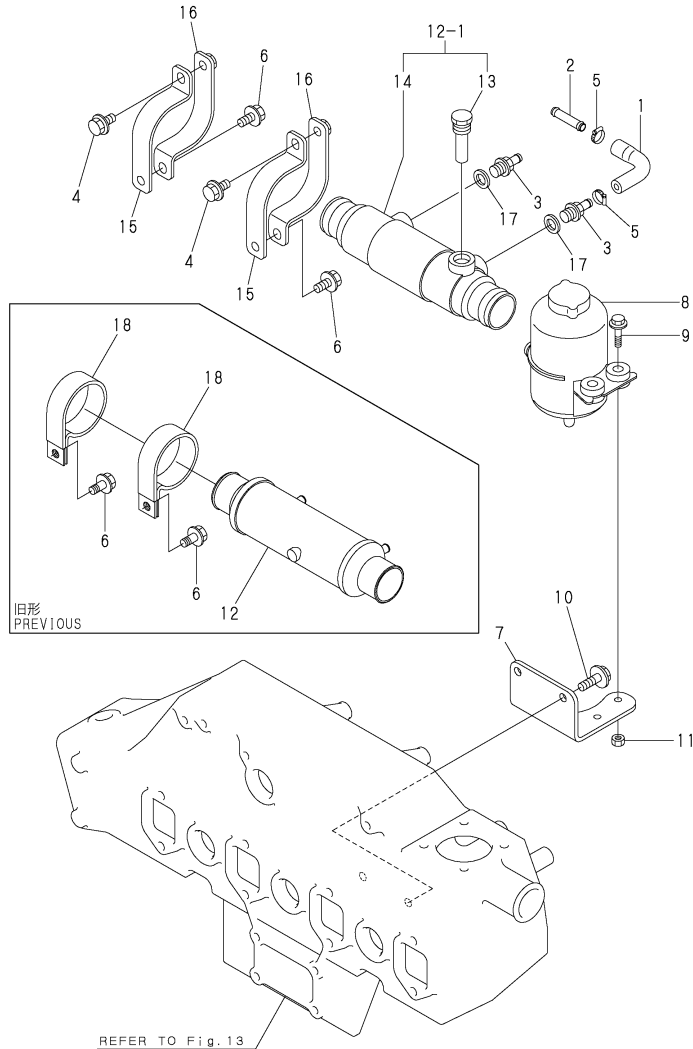
REF.	LEV.	PARTS NO.	DESCRIPTION	QTY						I	R	
				(A)	(B)	(C)	(D)	(E)	(F)			
1	1	119787-26100	PUMP,POWER STEERING		1		1					
2	1	119175-26300	V-PULLEY,PS-P		1		1					
3	1	119175-26550	ADJUSTER,BELT		1		1					
4	1	119773-77330	COLLER,GENERATOR		1		1					
5	1	26106-080182	BOLT M 8X 18 PLATED		3		3					
6	1	26106-100302	BOLT M10X 30 PLATED		6		6					
7	1	26376-120002	U-NUT M12		1		1					
8	1	119175-26500	V BELT		1		1					
9	1	26136-100252	BOLT M10X25		2		2					
10	1	26136-100402	BOLT M10X 40		1		1					
11	1	22137-100000	WASHER 10,POLISHED		2		2					W

(B=E/#A0624)

Fig.56.POWER STEERING COOLER & TANK

Y00R4782

Fig. 56 パワステクーラ&タンク  
POWER STEERING COOLER & TANK



(A)=4LHA-STE(P)  
(B)=4LHA-STZE(P)  
(C)=4LHA-DTE(P)

(D)=4LHA-DTZE(P)  
(E)=4LHA-HTZE(P)  
(F)=4LHA-HTZE(P)

REF.	LEV.	PARTS NO.	DESCRIPTION	Q'TY						I	R
				(A)	(B)	(C)	(D)	(E)	(F)		
1	1	119778-26620	ATF-T,COOLER		2		2		2		
2	1	119778-26750	TUBE,P/S COOLER		2		2		2		
3	1	121250-49110	JOINT, PIPE		2		2		2	W	
		(B=E/#A0615)									
4	1	26106-080162	BOLT M 8X 16 PLATED		2		2		2	W	
		(B=E/#A0615)									
5	1	23000-016000	CLAMP 16		4		4		4		
6	1	26106-080202	BOLT M 8X 20 PLATED		2		2		2		
7	1	119175-26520	BRACKET,OIL TANK		1						
I	7-1	119175-26530	BRACKET,OIL TANK		1		1		1	N	
		(B=*2001.06)									
8	1	196346-34860	RESERVIOR ASSY, HYD.		1		1		1		
9	1	26106-060252	BOLT M 6X 25 PLATED		2		2		2		
10	1	26106-080202	BOLT M 8X 20 PLATED		2		2		2		
11	1	26716-060002	NUT 6		2		2		2		
12	1	119773-55800	COOLER,FUEL OIL		1						
12-1	1	119773-55750	COOLER,FUEL OIL		1		1		1	F	1
		(B=E/#A0615)									
13	2	119574-44150	ZINC, ANTI-CORROSIVE		1		1		1	W	
		(B=E/#A0615)									
14	2	119773-55760	COOLER,FUEL OIL		1		1		1	W	
		(B=E/#A0615)									
15	1	119773-55870	BRACKET,COOLER,FUEL		2		2		2	W	
		(B=E/#A0615)									
16	1	119773-55890	BRACKET,COOLER,FUEL		2		2		2	W	
		(B=E/#A0615)									
17	1	23414-140018	GASKET 14		2		2		2	W	
		(B=E/#A0615)									
18	1	119773-55850	BRACKET,COOLER		2					Z	
		(B=E/#A0615)									

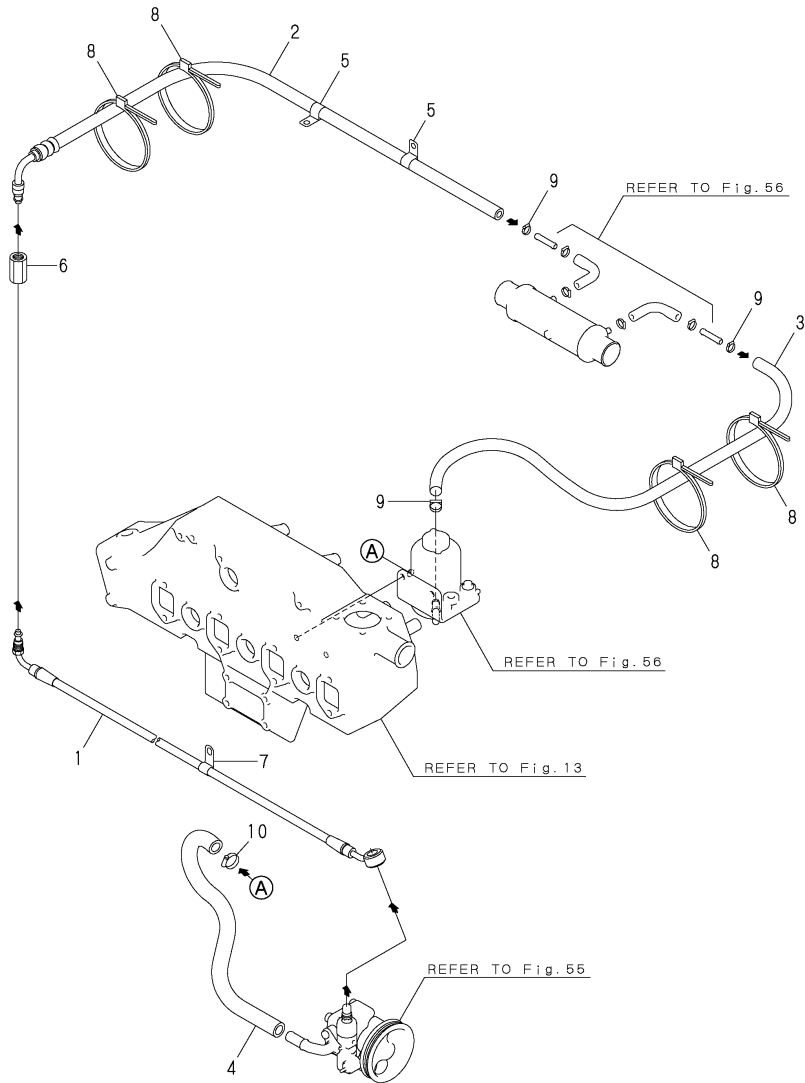
Remarks  
(1)INTERCHANGEABLE BY SIMULTANEOUS  
REPLACEMENT WITH REF.NO.3,17

Fig.57.ATF PIPE

(A)=4LHA-STE(P) (D)=4LHA-DTZE(P)  
 (B)=4LHA-STZE(P) (E)=4LHA-HTE(P)  
 (C)=4LHA-DTE(P) (F)=4LHA-HTZE(P)

Y00R4782

Fig. 57 ATFパイプ  
 ATF PIPE



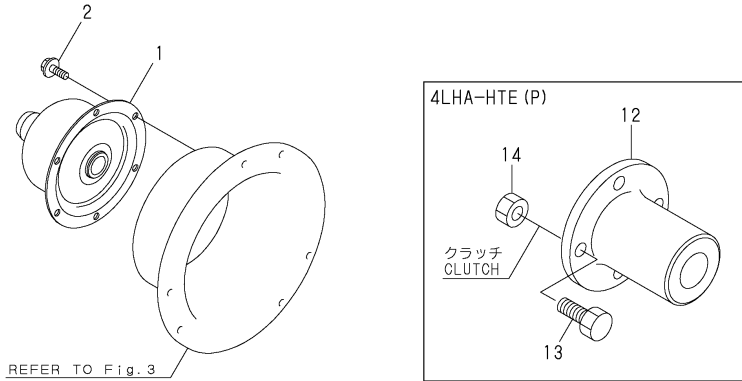
REF.	LEV.	PARTS NO.	DESCRIPTION	QTY						I	R
				(A)	(B)	(C)	(D)	(E)	(F)		
1	1	119175-26600	ATF-T,PUMP-DRIVE		1		1				
2	1	119175-26610	ATF-T,COOLER-TANK		1		1				
3	1	119175-26650	ATF-T,COOLER-TANK		1		1				
4	1	119175-26660	ATF-T,TANK-PUMP		1		1				
5	1	119778-26660	CLAMP		1		1				
6	1	119778-26800	BRASS COUPLING		1		1				
7	1	119593-39450	RETAINER		2		2				
8	1	194250-51660	BAND 250		4		4				
9	1	23000-016000	CLAMP 16		3		3				
10	1	23000-028000	CLAMP 28		1		1				

Fig.58.CLUTCH & DRIVE ATTACHMENT

(A)=4LHA-STE(P) (D)=4LHA-DTZE(P)  
 (B)=4LHA-STZE(P) (E)=4LHA-HTE(P)  
 (C)=4LHA-DTE(P) (F)=4LHA-HTZE(P)

Y00R4782

Fig. 58 クラッチ&ドライブ付属  
 CLUTCH & DRIVE ATTACHMENT



REF.	LEV.	PARTS NO.	DESCRIPTION	QTY						
				(A)	(B)	(C)	(D)	(E)	(F)	
1	1	119778-85500	COUPLING CMP		1		1		1	
2	1	26106-100202	BOLT M10X 20 PLATED		6		6		6	
3	1	119173-08110	FOOT, MOUNTING			2		2		
4	1	119175-49710	HOSE,GEAR OUT	1						
4A	1	119173-49670	PIPE,RUBBER R/R OUT			1		1		
5	1	119175-49700	HOSE,GEAR IN	1						
5A	1	119173-49680	PIPE,RUBBER R/R IN			1				
6	1	119172-49650	HOSE,GEAR IN						1	
7	1	23000-048000	CLAMP 48	4		4			5	
8	1	23000-054000	CLAMP 54	2		2			1	
9	1	26106-100252	BOLT M10X 25 PLATED	12		12			12	
10	1	26116-120352	BOLT M12X 35 PLATED				8		8	
11	1	119181-49741	JOINT	2		2			2	
12	1	119171-85900	COUPLING						1	
13	1	26116-120402	BOLT M12X 40						4	
14	1	26716-120002	NUT 12						4	
15	1	26106-100222	BOLT M10X 22 PLATED	6		6			6	

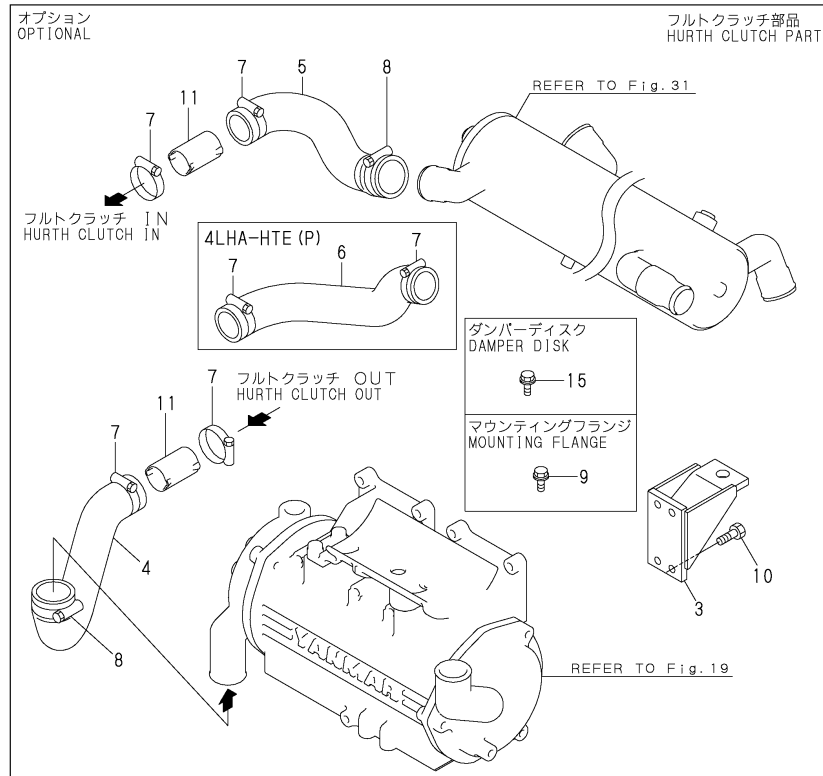


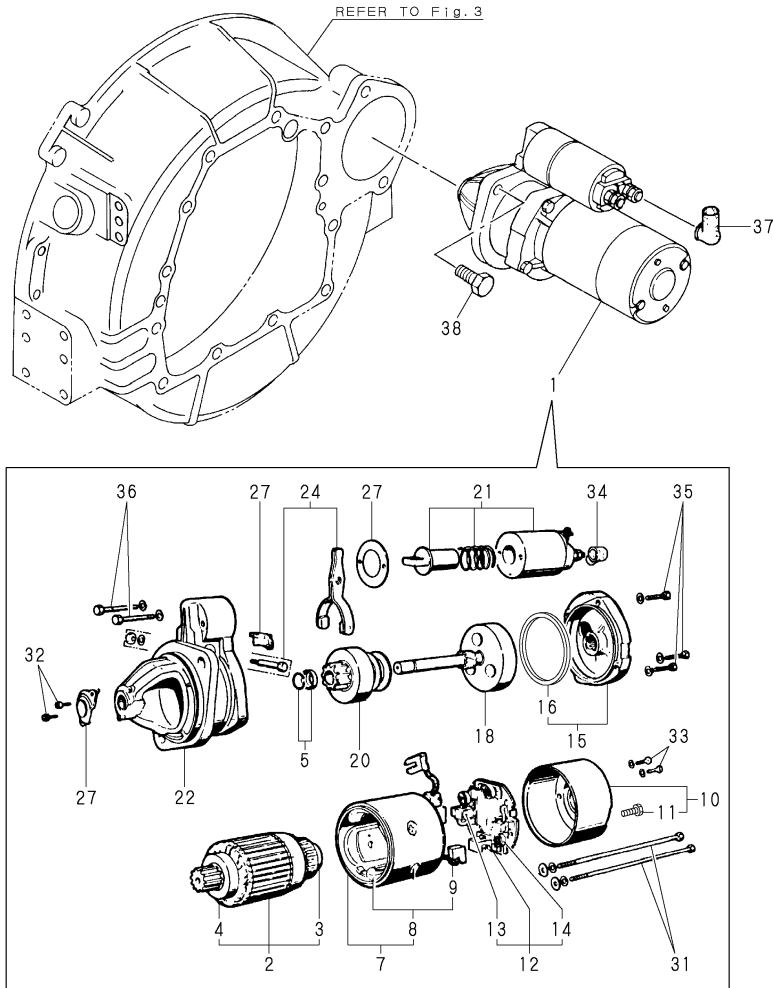


Fig.59.STARTING MOTOR

(A)=4LHA-STE(P) (D)=4LHA-DTZE(P)  
 (B)=4LHA-STZE(P) (E)=4LHA-HTE(P)  
 (C)=4LHA-DTE(P) (F)=4LHA-HTZE(P)

Y00R4782

Fig.59 スターティングモータ  
 STARTING MOTOR



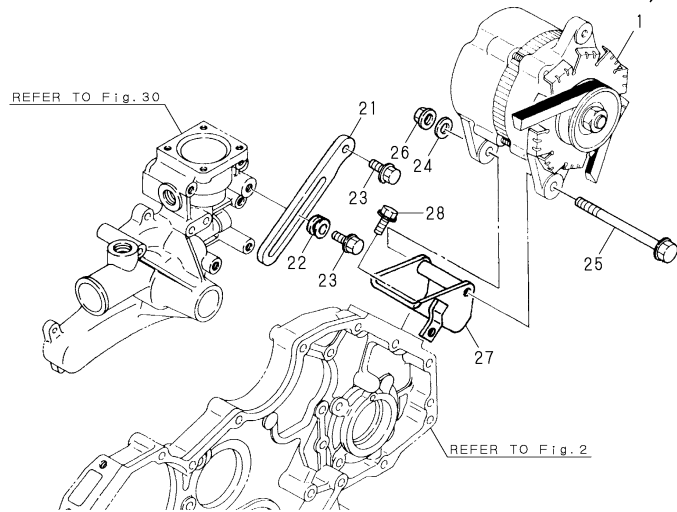
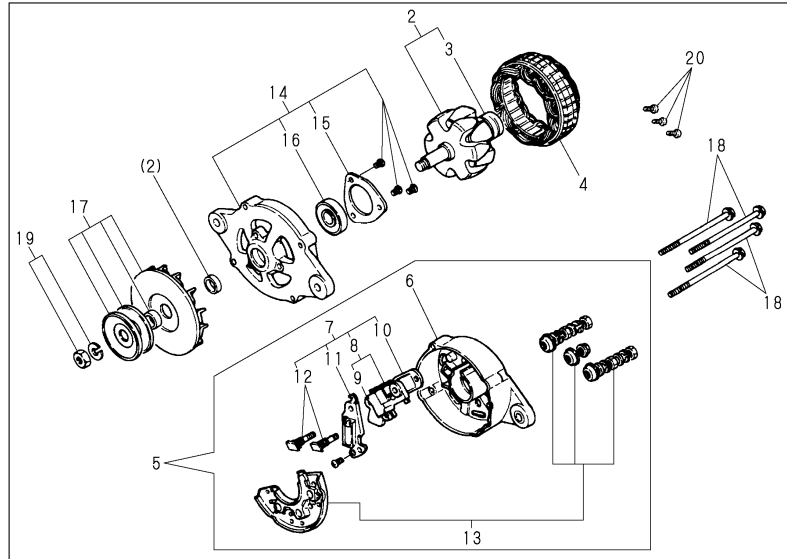
REF.	LEV.	PARTS NO.	DESCRIPTION	QTY						I	R
				(A)	(B)	(C)	(D)	(E)	(F)		
1	1	121254-77012	STARTING MOTOR(DC12V	1	1						
I	1-1	121254-77019	STARTING MOTOR(DC12V	1	1	1	1	1	1	1	N
		(A=E/#51203)	(B=E/#A0660)								
2	2	121254-77402	ARMATURE ASSY	1	1	1	1	1	1	1	
3	3	121254-77410	BALL BEARING	1	1	1	1	1	1	1	
4	3	121254-77420	BALL BEARING	1	1	1	1	1	1	1	
5	2	121254-77480	STOPPER KIT, PINION	1	1	1	1	1	1	1	
7	2	121254-77511	COIL ASSY, FIELD	1	1	1	1	1	1	1	
8	3	121254-77521	COIL ASSY, FIELD	1	1	1	1	1	1	1	
9	4	121254-77541	BRUSH (+)	2	2	2	2	2	2	2	
10	2	121254-77550	COVER ASSY, REAR	1	1	1	1	1	1	1	
11	3	121254-77560	BOLT, GROUND	1	1	1	1	1	1	1	
12	2	121254-77571	HOLDER	1	1	1	1	1	1	1	
13	3	121254-77581	BRUSH	2	2	2	2	2	2	2	
14	3	121254-77590	SPRING, BRUSH	4	4	4	4	4	4	4	
15	2	121254-77600	BEARING ASSY, CENTER	1	1	1	1	1	1	1	
16	3	119129-77210	SEAL, OIL	1	1	1	1	1	1	1	
18	2	121254-77640	SHAFT ASSY, GEAR	1	1	1	1	1	1	1	
20	2	121254-77661	PINION ASSY	1	1	1	1	1	1	1	
21	2	121254-77670	SWITCH, MAGNETIC	1	1						
I	21-1	121254-77671	SWITCH, MAGNETIC	1	1	1	1	1	1	1	N
		(A=E/#51203)	(B=E/#A0660)								
22	2	121254-77681	CASE ASSY, GEAR	1	1	1	1	1	1	1	
24	2	121254-77700	LEVER SET, SHIFT	1	1	1	1	1	1	1	
27	2	121254-77730	DUST COVER SET	1	1	1	1	1	1	1	
31	2	121254-77770	BOLT, THROUGH	2	2	2	2	2	2	2	
32	2	26450-050122	BOLT M 5X 12	2	2	2	2	2	2	2	
33	2	121254-77790	SCREW 4	2	2	2	2	2	2	2	
34	2	121254-77810	TERMINAL COVER	1	1	1	1	1	1	1	
35	2	26106-060302	BOLT M 6X 30 PLATED	3	3	3	3	3	3	3	
36	2	26106-060452	BOLT M 6X 45 PLATED	2	2	2	2	2	2	2	
37	1	124550-77030	COVER, TERMINAL	1	1	1	1	1	1	1	
38	1	26116-120302	BOLT M12X 30 PLATED	2	2	2	2	2	2	2	

Fig.60.GENERATOR

(A)=4LHA-STE(P) (D)=4LHA-DTZE(P)  
 (B)=4LHA-STZE(P) (E)=4LHA-HTE(P)  
 (C)=4LHA-DTE(P) (F)=4LHA-HTZE(P)

Y00R4782

Fig. 60 ジェネレータ GENERATOR



REF.	LEV.	PARTS NO.	DESCRIPTION	QTY						I	R
				(A)	(B)	(C)	(D)	(E)	(F)		
1	1	129772-77200	GENERATOR(12V-55A)	1	1	1	1	1	1		
2	2	XL15571001	ROTOR ASSY	1	1	1	1	1	1		
3	3	124080-77490	BALL BEARING	1	1	1	1	1	1		
4	2	XL15542001	STATOR ASSY	1	1	1	1	1	1		
5	2	XL155G6300	COVER ASSY, REAR	1	1	1	1	1	1		
6	3	XL22553012	COVER, REAR	1	1	1	1	1	1		
7	3	XL155G1315	REGULATOR ASSY,BRUSH	1	1	1	1	1	1		
8	4	XL2255330	BRUSH ASSY	1	1	1	1	1	1		1
9	4	XL12013262	BRUSH	2	2	2	2	2	2		
10	4	XTR1Z63	REGULATOR	1	1	1	1	1	1		
11	4	XL2554318	CONDENCER ASSY	1	1	1	1	1	1		
12	4	XL13513134	BOLT M5	2	2	2	2	2	2		
13	3	XL2253320	DIODE ASSY	1	1	1	1	1	1		
14	2	XL2253400	FRONT COVER ASSY	1	1	1	1	1	1		
15	3	XL15014042	BEARING RETAINER	1	1	1	1	1	1		
16	3	X6203BM	BALL BEARING	1	1	1	1	1	1		
17	2	XL225G6500	PULLEY ASSY	1	1	1	1	1	1		
18	2	XL15018015	BOLT, THROUGH	4	4	4	4	4	4		
19	2	XL1501810	NUT ASSY, PULLEY	1	1	1	1	1	1		
20	2	XL15028001	SCREW ASSY	1	1	1	1	1	1		
21	1	119171-77330	ADJUSTER, BELT	1	1	1	1	1	1		
22	1	121236-77340	SPACER	1	1	1	1	1	1		
23	1	119005-77350	BOLT (M8 X L25)	2	2	2	2	2	2		
24	1	22137-100000	WASHER 10,POLISHED	1	1	1	1	1	1		
25	1	26116-101202	BOLT M10X120 PLATED	1	1	1	1	1	1		
26	1	26306-100002	NUT	1	1	1	1	1	1		
27	1	119175-77270	BRACKET, GENERATOR	1	1	1	1	1	1		
28	1	26106-080202	BOLT M 8X 20 PLATED	4	4	4	4	4	4		

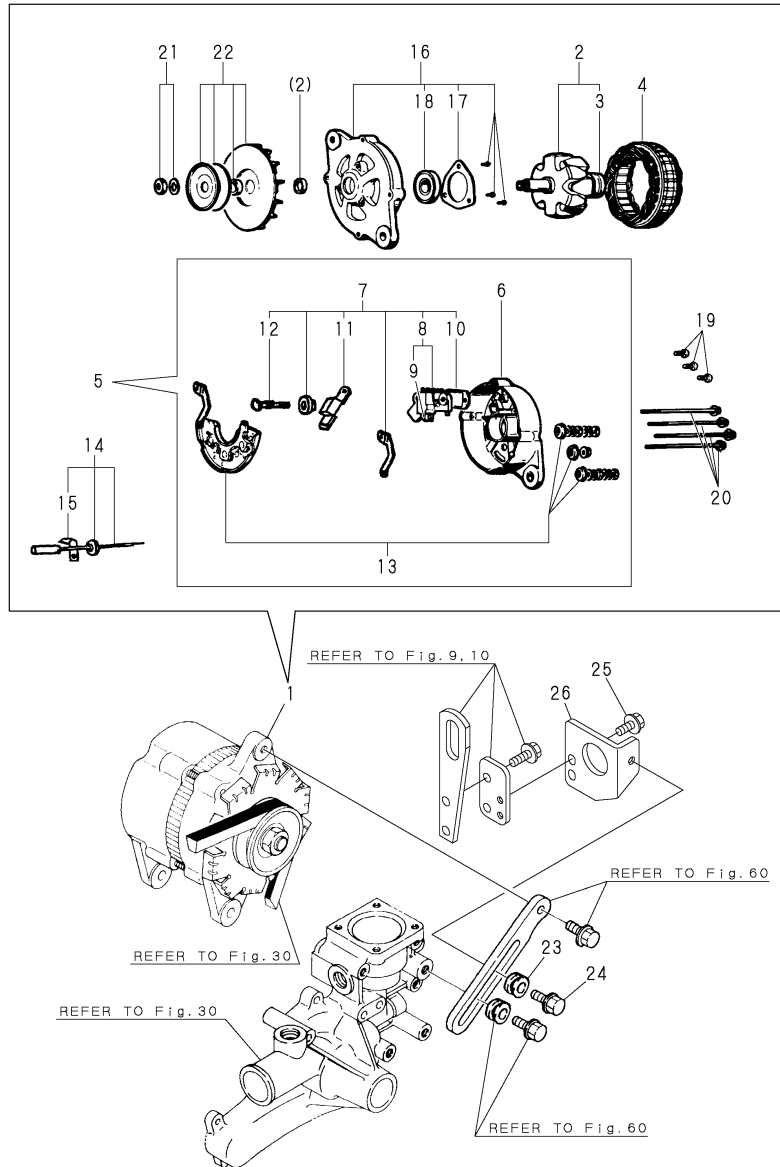
Remarks  
 (1)INC.9

Fig.61.GENERATOR(OPTIONAL)

(A)=4LHA-STE(P)  
 (B)=4LHA-STZE(P)  
 (C)=4LHA-DTE(P)  
 (D)=4LHA-DTZE(P)  
 (E)=4LHA-HTE(P)  
 (F)=4LHA-HTZE(P)

Y00R4782

Fig.61 ジェネレータ (オプション)  
 GENERATOR (OPTIONAL)

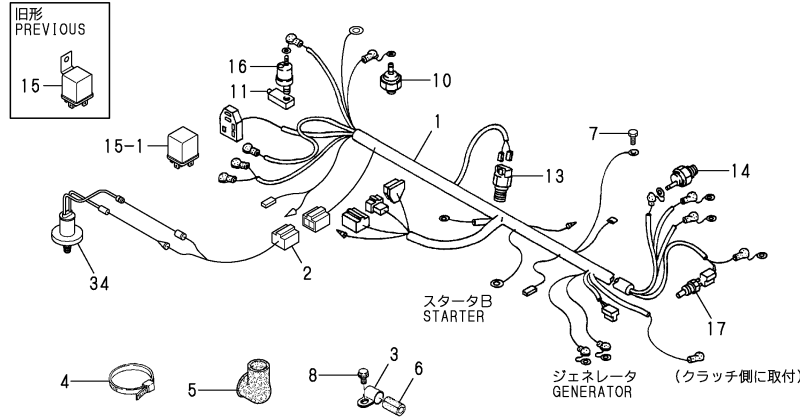


REF.	LEV.	PARTS NO.	DESCRIPTION	QTY						I	R
				(A)	(B)	(C)	(D)	(E)	(F)		
1	1	119573-77201	ALTERNATER(12V-80A	1	1	1	1	1	1		
2	2	XL180G61000	ROTOR ASSY	1	1	1	1	1	1		
3	3	119129-77320	BALL BEARING	1	1	1	1	1	1		
4	2	XL180120000	STATOR ASSY	1	1	1	1	1	1		
5	2	XL180G63006	COVER ASSY, REAR	1	1	1	1	1	1		
6	3	XL180G13012	COVER, REAR	1	1	1	1	1	1		
7	3	XL180G43150	BRUSH ASSY,REGULATOR	1	1	1	1	1	1		
8	4	XL155G1330	BRUSH ASSY	1	1	1	1	1	1		
9	4	XL225G1325	BRUSH SET	2	2	2	2	2	2		
10	4	124080-77390	REGULATOR ASSY	1	1	1	1	1	1		
11	4	XL225431800	CONDENSER	1	1	1	1	1	1		
12	4	124080-77520	BOLT M5	2	2	2	2	2	2		
13	3	XL1808320	DIODE ASY	1	1	1	1	1	1		
14	3	119129-77250	WIRE	1	1	1	1	1	1		
15	4	119129-77260	CLAMP,LEAD WIRE	1	1	1	1	1	1		
16	2	XL235340110	COVER ASSY, FRONT	1	1	1	1	1	1		
17	3	XL150M14041	RETAINER	1	1	1	1	1	1		
18	3	X6303BM0000	BALL BEARING	1	1	1	1	1	1		
19	3	119129-77930	SCREW KIT	1	1	1	1	1	1		
20	2	119129-77890	BOLT, THROUGH	4	4	4	4	4	4		
21	2	119129-77900	NUT ASSY, PULLEY	1	1	1	1	1	1		
22	2	XL180G85001	PULLEY ASSY	1	1	1	1	1	1		
23	1	121236-77340	SPACER	1	1	1	1	1	1		W
		(A=E/#51115) (B=E/#A0634)									
24	1	119005-77350	BOLT (M8 X L25)	1	1	1	1	1	1		W
		(A=E/#51115) (B=E/#A0634)									
25	1	26106-080142	BOLT 8X 14 PLATED	2	2	2	2	2	2		W
		(A=E/#51029) (B=E/#A0624)									
26	1	119172-77150	SUPPORT A	1	1	1	1	1	1		W
		(A=E/#51115) (B=E/#A0634)									

Fig.62.WIRE HARNESS & SENSOR

(A)=4LHA-STE(P)  
 (B)=4LHA-STZE(P)  
 (C)=4LHA-DTE(P)  
 (D)=4LHA-DTZE(P)  
 (E)=4LHA-HTE(P)  
 (F)=4LHA-HTZE(P)

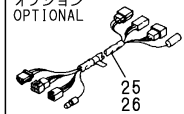
P/C NEWS No:Y00R4782-4  
 PUBLISHED:2004/8



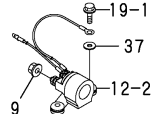
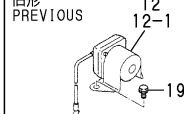
センサプラグ SENSOR PLUG



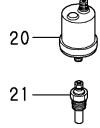
オプション OPTIONAL



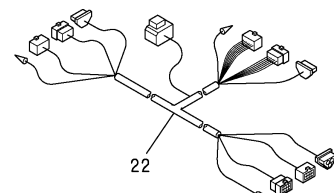
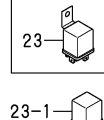
旧形 PREVIOUS



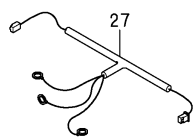
2箇所取付用 2PLACE EXPRESSION  
 オプション OPTIONAL



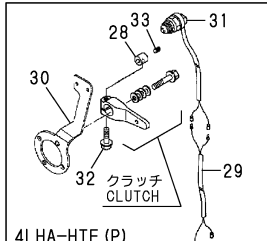
旧形 PREVIOUS



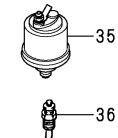
オプション OPTIONAL



トリムゲージ TRIM GAUGE



VDO仕様 VDO SPEC.  
 オプション OPTIONAL



Remarks  
 (1)OPTIONAL  
 (2)INTERCHANGEABLE BY SIMULTANEOUS REPLACEMENT WITH REF.NO.12-2,19-1, 37.

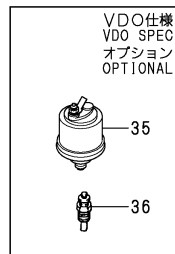
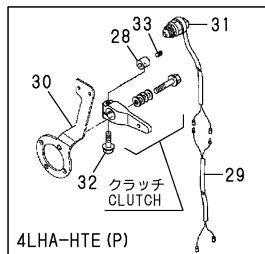
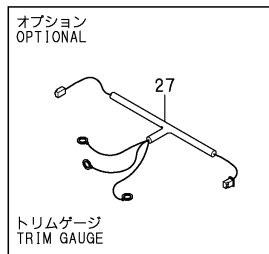
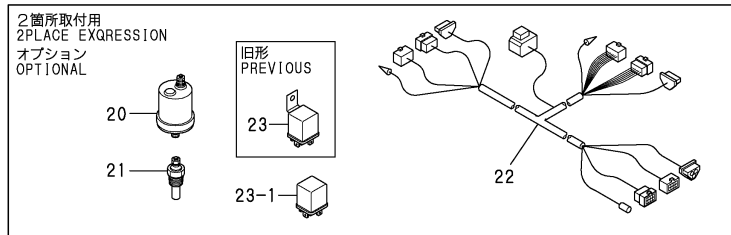
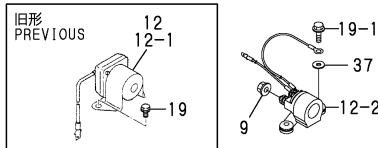
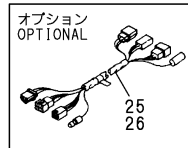
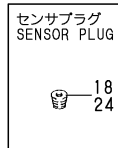
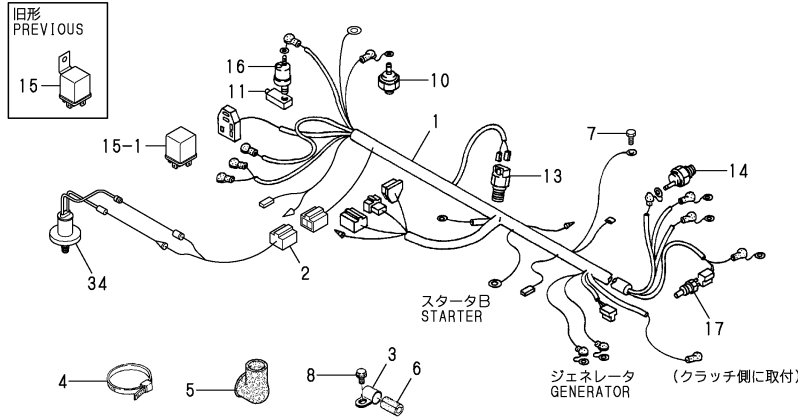
REF.	LEV.	PARTS NO.	DESCRIPTION	QTY						I	R
				(A)	(B)	(C)	(D)	(E)	(F)		
1	1	119175-77810	WIREHARNESS	1	1						
1-1	1	119173-77851 (A=E/#50717) (B=E/#A0491)	HARNESS, WIRE	1	1	1	1				N
1A	1	119172-77820	WIREHARNESS					1	1		
2	1	119175-77850 (A=E/#50717) (B=E/#A0491)	WIREHARNESS	1	1						W
3	1	124770-49310	RETAINER			1	1	1	1		
4	1	121750-59890	CLAMP 140			1	1	1	1		
5	1	124550-77030	COVER, TERMINAL			1	1	1	1		
6	1	123682-77710	PROTECTOR					1	1	1	1
7	1	26106-080122	BOLT M 8X 12 PLATED	1	1	1	1	1	1	1	
8	1	26106-080162	BOLT M 8X 16 PLATED	1	1	1	1	1	1	1	
9	1	26366-060002	NUT M 6	2	2	2	2	2	2	2	
10	1	124060-39451	SWITCH,OIL PRESSURE	1	1						
10-1	1	124060-39452 (A=E/#50979) (B=E/#A0615)	SENDER,OIL PRESSURE	1	1	1	1	1	1	1	N
11	1	123482-39680	DAMPER	1	1	1	1	1	1	1	
12	1	129100-77910	RELAY, MAGNETIC	1	1						
12-1	1	129490-77910 (A=E/#50290) (B=E/#50293)	RELAY, STARTER	1	1	1	1	1	1	1	N
I 12-2	1	119575-77510 (A=*2004.06) (B=*2004.06) (C=*2004.06) (D=*2004.06) (E=*2004.06) (F=*2004.06)	RELAY, STARTER	1	1	1	1	1	1	1	F 2
13	1	128170-91160	SENSOR, TACHOMETER	1	1	1	1	1	1	1	
14	1	127610-91350	SWITCH, THERMO	1	1	1	1	1	1	1	
15	1	124617-91850	RELAY	1	1						
15-1	1	119773-91850 (A=E/#50979) (B=E/#A0615)	RELAY	1	1	1	1				N
16	1	119773-91500	SENDER UNIT	1	1						
16-1	1	119773-91501 (A=E/#51410) (B=E/#A0821)	SENDER UNIT	1	1	1	1	1	1	1	N
17	1	144626-91570	SENDER UNIT	1	1	1	1	1	1	1	
18	1	23871-030000	PLUG PT3/8,SCREW	2	2						
18-1	1	23876-030000 (A=E/#50582) (B=E/#A0421)	PLUG PT3/8,SCREW	2	2	2	2	2	2	2	N
19	1	26106-060122	BOLT M 6X 12 PLATED	2	2	2	2	2	2	2	
I 19-1	1	26106-060202 (A=*2004.06) (B=*2004.06) (C=*2004.06) (D=*2004.06) (E=*2004.06) (F=*2004.06)	BOLT M 6X 20 PLATED	2	2	2	2	2	2	2	F 2
20	1	129574-91560	SENDER UNIT	1	1						1
20-1	1	129574-91561 (A=E/#52121) (B=*2001.06)	SENDER UNIT	1	1	1	1	1	1	1	N 1
21	1	129574-91570	SENDER UNIT	1	1	1	1	1	1	1	1
22	1	129574-77980	HARNESS.	1	1	1	1	1	1	1	1
23	1	124617-91850	RELAY	1	1						1
23-1	1	119773-91850 (A=E/#50979) (B=E/#A0615)	RELAY	1	1	1	1	1	1	1	N 1
24	1	23876-010000	PLUG PT1/8,SCREW	1	1	1	1	1	1	1	1
25	1	129574-77710	HARNESS, WIRE(4M)	1	1	1	1	1	1	1	1
26	1	129574-77720	HARNESS, WIRE(6M)	1	1	1	1	1	1	1	1
27	1	119778-91500 (B=E/#A0463)	WIRE HARNESS			1				1	W 1
28	1	177074-06300	SETTING,SAFETY SWIT.							1	1
29	1	177074-06350	HARNESS, WIRE							1	1
30	1	177074-06600	STAY							1	1
31	1	120270-77101	SWITCH							1	1

++ CONTINUE ++

Fig.62.WIRE HARNESS & SENSOR

(A)=4LHA-STE(P) (D)=4LHA-DTZE(P)  
 (B)=4LHA-STZE(P) (E)=4LHA-HTE(P)  
 (C)=4LHA-DTE(P) (F)=4LHA-HTZE(P)

P/C NEWS No:Y00R4782-4  
 PUBLISHED:2004/8



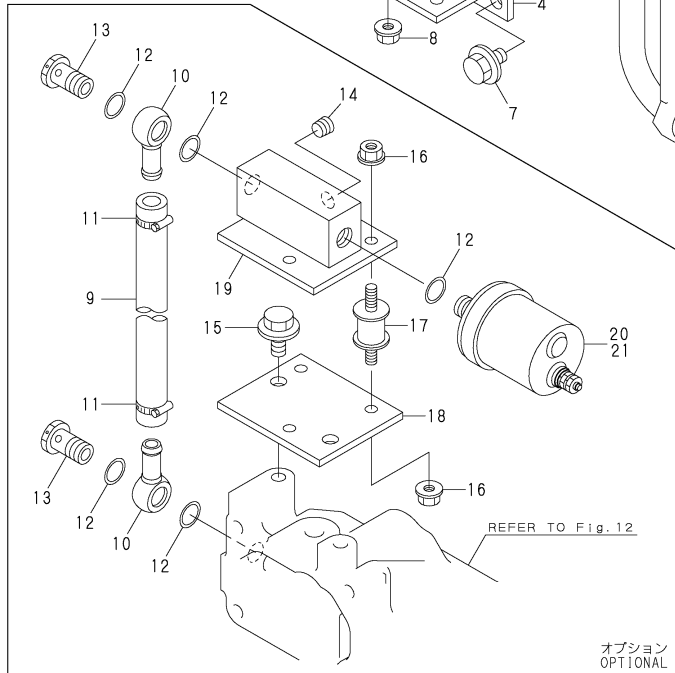
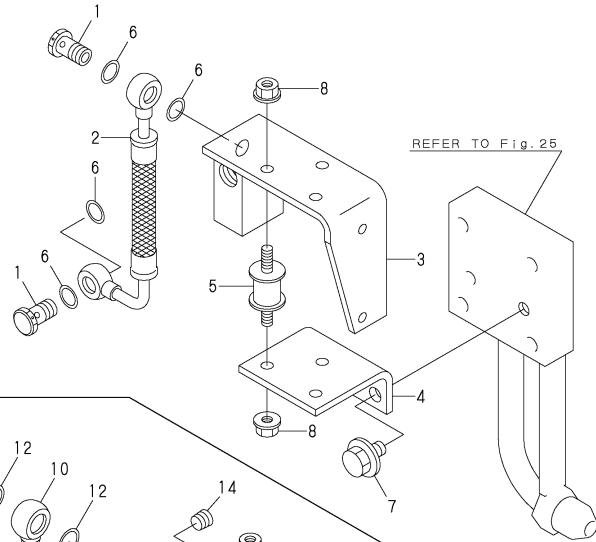
REF.	LEV.	PARTS NO.	DESCRIPTION	QTY						I	R
				(A)	(B)	(C)	(D)	(E)	(F)		
32	1	26106-080302	BOLT M 8X 30 PLATED							1	1
33	1	26979-040082	SCREW M 4X 8							1	1
34	1	119773-91380	SWITCH,PRESSURE	1	1						
35	1	119773-91650	SENDA UNIT	1	1	1	1	1	1		
36	1	119773-91700	SENDA UNIT	1	1	1	1	1	1		
I 37	1	183350-55130	WASHER	2	2	2	2	2	2	W	2
		(A=*2004.06)	(B=*2004.06)	(C=*2004.06)	(D=*2004.06)	(E=*2004.06)	(F=*2004.06)				

Remarks  
 (1)OPTIONAL  
 (2)INTERCHANGEABLE BY SIMULTANEOUS  
 REPLACEMENT WITH REF.NO.12-2,19-1,  
 37.

Fig.63.SENSOR MOUNT

Y00R4782

Fig. 63 センサ取付台  
SENSOR MOUNT



Remarks  
 (1)OPTIONAL  
 (2)VDO:BOOST SENDOR

(A)=4LHA-STE(P)  
 (B)=4LHA-STZE(P)  
 (C)=4LHA-DTE(P)  
 (D)=4LHA-DTZE(P)  
 (E)=4LHA-HTE(P)  
 (F)=4LHA-HTZE(P)

REF.	LEV.	PARTS NO.	DESCRIPTION	QTY						I	R
				(A)	(B)	(C)	(D)	(E)	(F)		
1	1	121252-39150	BOLT, PIPE JOINT	2	2	2	2	2	2		
2	1	119175-39600	LOT CMP,SENDER	1	1	1	1	1	1		
3	1	119175-91030	BRACKET,SENDER	1	1	1	1	1	1		
4	1	119175-91040	BRACKET,SENDER	1	1	1	1	1	1		
5	1	119175-91050	CUSHION	3	3	3	3	3	3		
6	1	23414-100000	GASKET 10, ROUND	4	4	4	4	4	4		
7	1	26106-080122	BOLT M 8X 12 PLATED	2	2	2	2	2	2		
8	1	26366-060002	NUT M 6	6	6	6	6	6	6		
9	1	119574-18490	PIPE,BOOST SENDOR	1	1	1	1	1	1		1
10	1	104264-59020	JOINT 12, PIPE	2	2	2	2	2	2		1
11	1	23000-013000	CLAMP 13	2	2	2	2	2	2		1
12	1	23414-120000	GASKET 12, ROUND	5	5	5	5	5	5		1
13	1	23857-060000	JOINT BOLT 6,PIPE	2	2	2	2	2	2		1
14	1	23876-010000	PLUG PT1/8,SCREW	1	1	1	1	1	1		1
15	1	26106-080162	BOLT M 8X 16 PLATED	2	2	2	2	2	2		1
16	1	26367-060002	NUT M 6	6	6	6	6	6	6		1
17	1	119175-91050	CUSHION	3	3	3	3	3	3		1
18	1	119175-91080	BRACKET,SENDER	1	1						1
I 18-1	1	119175-91070	BRACKET,SENDER	1	1	1	1	1	1	1	N 1
		(A=E/#52121) (B=*2001.06)									
19	1	119175-91090	BRACKET,SENDER	1	1	1	1	1	1		1
20	1	119773-91300	SENSOR,PRESSURE	1	1						1
I 20-1	1	119773-91301	SENDER	1	1	1	1	1	1	1	N 1
		(A=E/#52063) (B=*2001.04)									
21	1	119773-91600	SEDA UNIT	1	1	1	1	1	1	1	2

Fig.64.HEATER PLUG(OPTIONAL)

(A)=4LHA-STE(P) (D)=4LHA-DTZE(P)  
 (B)=4LHA-STZE(P) (E)=4LHA-HTE(P)  
 (C)=4LHA-DTE(P) (F)=4LHA-HTZE(P)

REF.	LEV.	PARTS NO.	DESCRIPTION	QTY						I	R
				(A)	(B)	(C)	(D)	(E)	(F)		
1	1	119575-77050	PLUG,HEATER	2	2	2	2	2	2		
2	1	119575-77060	RELAY,HEATER	1	1	1	1	1	1		
3	1	119575-77070	CONTROLLER	1	1						
I	3-1	119575-77071	CONTROLLER	1	1	1	1	1	1	1	N
		(A=E/#51251) (B=E/#A0706)									
4	1	119175-77600	BRACKET A	1	1	1	1	1	1		
5	1	119175-77610	BRACKET B	1	1	1	1	1	1		
6	1	119173-77880	HARNESS,HEATER	1	1	1	1	1	1		
7	1	119175-91050	CUSHION	4	4	4	4	4	4		
8	1	124616-91370	SWITCH, THERMO	1	1	1	1	1	1		
9	1	26106-060122	BOLT M 6X 12 PLATED	2	2	2	2	2	2		
10	1	26106-080142	BOLT 8X 14 PLATED	2	2	2	2				
11	1	26366-060002	NUT M 6	8	8	8	8	8	8		
12	1	29622-250001	BAND RF 250	2	2	2	2	2	2		
13	1	119172-77650	BRACKET,HEATER							1	1
14	1	26106-080252	BOLT M 8X 25 PLATED							2	2
15	1	26106-080282	BOLT M 8X 28 PLATED							2	2

Y00R4782

Fig. 64 ヒータプラグ (オプション)  
 HEATER PLUG (OPTIONAL)

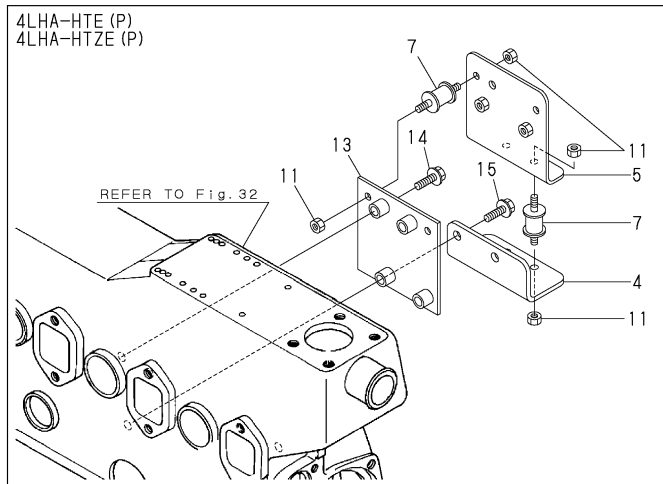
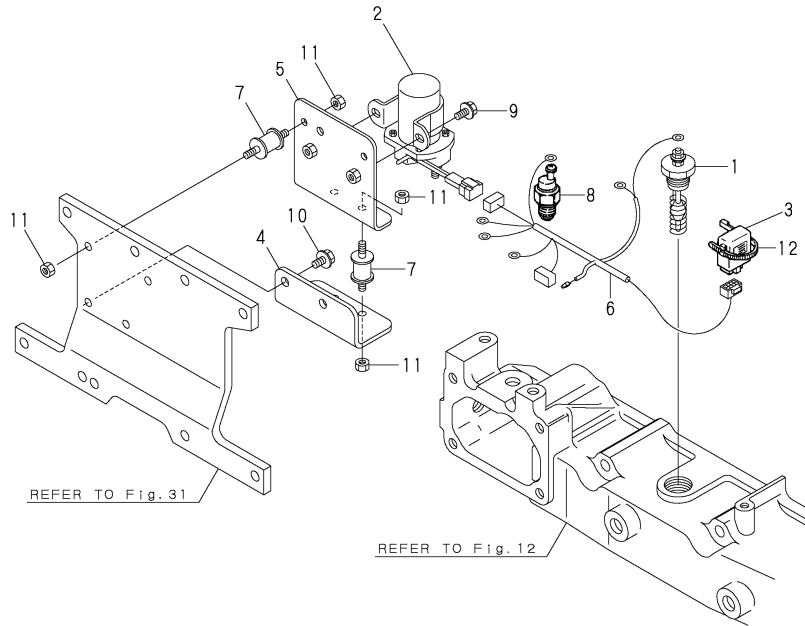
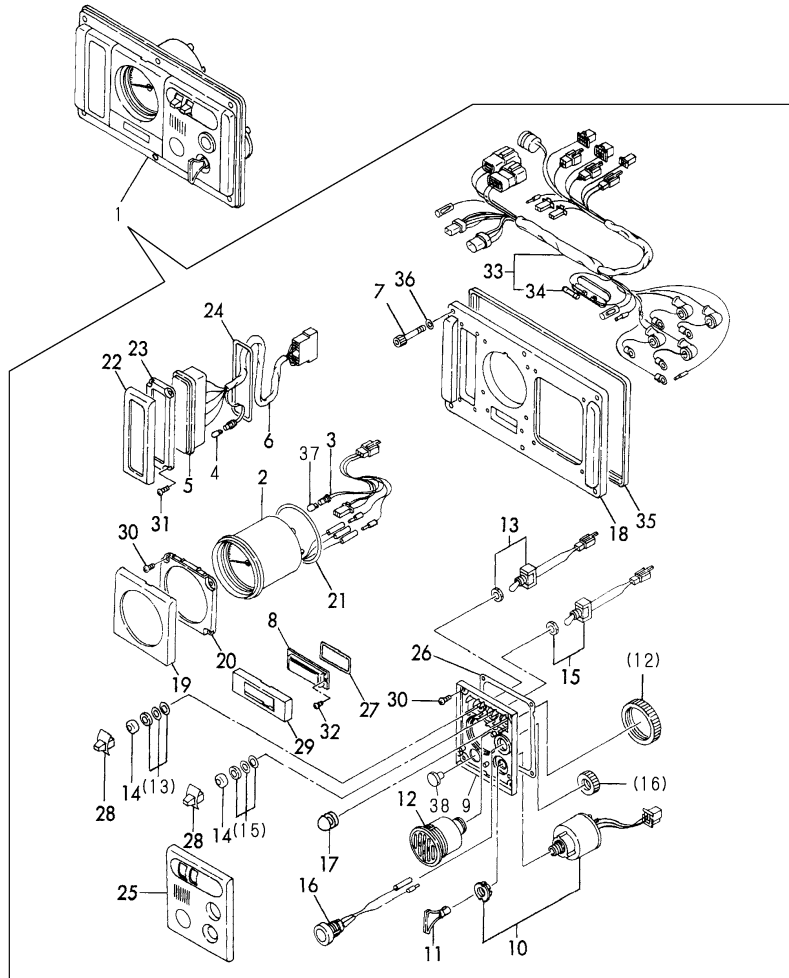


Fig.65.INSTRUMENT PANEL(B-TYPE,OPTION

(A)=4LHA-STE(P)  
 (B)=4LHA-STZE(P)  
 (C)=4LHA-DTE(P)  
 (D)=4LHA-DTZE(P)  
 (E)=4LHA-HTZE(P)  
 (F)=4LHA-HTZE(P)

Y00R4782

Fig. **65** 計器盤 (Bタイプ, オプション)  
 INSTRUMENT PANEL (B-TYPE, OPTIONAL)



REF.	LEV.	PARTS NO.	DESCRIPTION	QTY						I	R
				(A)	(B)	(C)	(D)	(E)	(F)		
1	1	119175-91130	IMSTRUMENT PANEL	1	1						
1-1	1	119175-91131	IMSTRUMENT PANEL	1	1	1	1	1	1	1	N
		(A=E/#50759) (B=E/#A0515)									
2	2	129574-91200	METER, TACHO./HOUR	1	1	1	1	1	1	1	
3	2	129574-91870	WIRE	1	1	1	1	1	1	1	
4	2	124617-91980	BULB	6	6	6	6	6	6	6	
5	2	119773-91260	BOX	1	1						
5-1	2	119773-91261	BOX	1	1	1	1	1	1	1	N
		(A=E/#50759) (B=E/#A0515)									
6	2	119773-91240	WIRE W/BULB	1	1	1	1	1	1	1	
7	2	127687-91870	BOLT 6X 35	6	6	6	6	6	6	6	
8	2	129170-91650	COVER, BLIND	1	1	1	1	1	1	1	
9	2	129574-91410	BRACKET	1	1	1	1	1	1	1	
10	2	121575-91250	SWITCH W/KEY	1	1	1	1	1	1	1	
11	2	123482-91291	KEY, SWITCH	1	1	1	1	1	1	1	
12	2	104271-91352	BUZZER	1	1	1	1	1	1	1	
13	2	129170-91800	SWITCH	1	1	1	1	1	1	1	
14	2	129574-91780	CAP	2	2	2	2	2	2	2	
15	2	129574-91790	SWITCH	1	1	1	1	1	1	1	
16	2	129470-91190	STOPPER	1	1	1	1	1	1	1	
17	2	129170-91810	BLIND	1	1	1	1	1	1	1	
18	2	128391-91930	PANEL	1	1	1	1	1	1	1	
19	2	129574-91620	COVER	1	1	1	1	1	1	1	
20	2	129574-91420	BRACKET	1	1	1	1	1	1	1	
21	2	129574-91720	GASKET	1	1	1	1	1	1	1	
22	2	128391-91640	COVER	1	1	1	1	1	1	1	
23	2	128391-91440	PLATE	1	1	1	1	1	1	1	
24	2	128391-91740	GASKET	1	1	1	1	1	1	1	
25	2	129170-91610	COVER	1	1	1	1	1	1	1	
26	2	129574-91710	GASKET	1	1	1	1	1	1	1	
27	2	129574-91750	GASKET	1	1	1	1	1	1	1	
28	2	129574-91770	KNOB	2	2	2	2	2	2	2	
29	2	129574-91650	COVER	1	1	1	1	1	1	1	
30	2	127692-91410	SCREW	8	8	8	8	8	8	8	
31	2	127692-91440	SCREW	4	4	4	4	4	4	4	
32	2	127692-91450	SCREW	2	2	2	2	2	2	2	
33	2	119773-91140	WIREHARNESS	1	1						
33-1	2	119773-91141	WIREHARNESS	1	1	1	1	1	1	1	N
		(A=E/#50759) (B=E/#A0515)									
34	3	124617-91990	FUSE (3A)	1	1	1	1	1	1	1	
35	2	128391-91700	PACKING	1	1	1	1	1	1	1	
36	2	127687-91880	WASHER	6	6	6	6	6	6	6	
37	2	124617-91980	BULB	1	1	1	1	1	1	1	
38	2	129574-91760	COVER, BLIND	1	1	1	1	1	1	1	

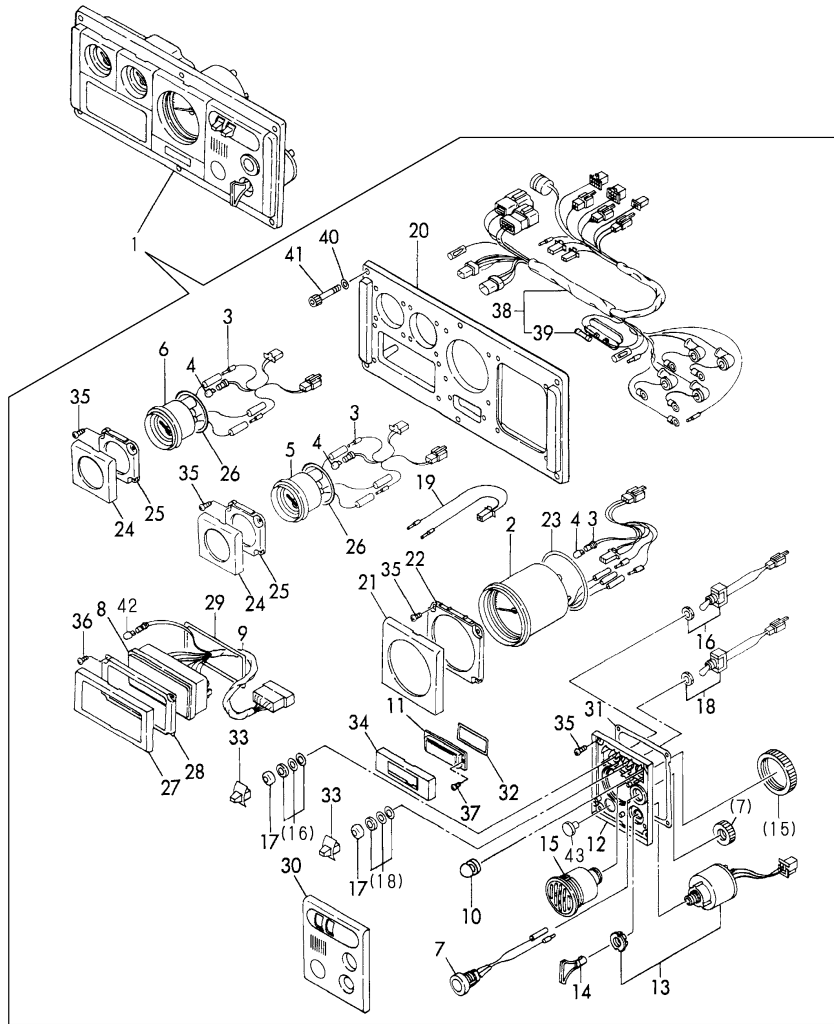


Fig.66.INSTRUMENT PANEL(C-TYPE,OPTION

(A)=4LHA-STE(P)  
 (B)=4LHA-STZE(P)  
 (C)=4LHA-DTE(P)  
 (D)=4LHA-DTZE(P)  
 (E)=4LHA-HTE(P)  
 (F)=4LHA-HTZE(P)

Y00R4782

Fig. **66** 計器盤 (Cタイプ, オプション)  
 INSTRUMENT PANEL (C-TYPE, OPTIONAL)



REF.	LEV.	PARTS NO.	DESCRIPTION	QTY						I	R
				(A)	(B)	(C)	(D)	(E)	(F)		
1	1	119175-91160	IMSTRUMENT PANEL	1	1						
1-1	1	119175-91161	IMSTRUMENT PANEL	1	1						N
		(A=E/#50759) (B=E/#A0515)									
1-2	1	119175-91162	IMSTRUMENT PANEL	1	1	1	1	1	1	1	S
		(A=E/#50906) (B=E/#A0571)									
2	2	129574-91200	METER, TACHO./HOUR	1	1	1	1	1	1	1	
3	2	129574-91870	WIRE	3	3	3	3	3	3	3	
4	2	124617-91980	BULB	4	4	4	4	4	4	4	
5	2	129574-91210	METER	1	1	1	1	1	1	1	
6	2	129574-91220	METER	1	1						
6-1	2	129574-91221	METER	1	1	1	1	1	1	1	S
		(A=E/#50906) (B=E/#A0571)									
7	2	129470-91190	STOPPER	1	1	1	1	1	1	1	
8	2	119773-91280	BOX	1	1						
8-1	2	119773-91281	BOX	1	1	1	1	1	1	1	N
		(A=E/#50759) (B=E/#A0515)									
9	2	119773-91230	WIRE W/BULB	1	1						
9-1	2	119773-91231	WIRE W/BULB	1	1	1	1	1	1	1	N
		(A=E/#50759) (B=E/#A0515)									
10	2	129170-91810	BLIND	1	1	1	1	1	1	1	
11	2	129170-91650	COVER, BLIND	1	1	1	1	1	1	1	
12	2	129574-91410	BRACKET	1	1	1	1	1	1	1	
13	2	121575-91250	SWITCH W/KEY	1	1	1	1	1	1	1	
14	2	123482-91291	KEY, SWITCH	1	1	1	1	1	1	1	
15	2	104271-91352	BUZZER	1	1	1	1	1	1	1	
16	2	129170-91800	SWITCH	1	1	1	1	1	1	1	
17	2	129574-91780	CAP	2	2	2	2	2	2	2	
18	2	129574-91790	SWITCH	1	1	1	1	1	1	1	
19	2	129170-91890	WIRE	1	1	1	1	1	1	1	
20	2	129170-91930	PANEL	1	1	1	1	1	1	1	
21	2	129574-91620	COVER	1	1	1	1	1	1	1	
22	2	129574-91420	BRACKET	1	1	1	1	1	1	1	
23	2	129574-91720	GASKET	1	1	1	1	1	1	1	
24	2	129574-91630	COVER	2	2	2	2	2	2	2	
25	2	129574-91430	BRACKET	2	2	2	2	2	2	2	
26	2	129574-91730	GASKET	2	2	2	2	2	2	2	
27	2	129574-91640	COVER	1	1	1	1	1	1	1	
28	2	129574-91440	BRACKET	1	1	1	1	1	1	1	
29	2	129574-91740	GASKET	1	1	1	1	1	1	1	
30	2	129170-91610	COVER	1	1	1	1	1	1	1	
31	2	129574-91710	GASKET	1	1	1	1	1	1	1	
32	2	129574-91750	GASKET	1	1	1	1	1	1	1	
33	2	129574-91770	KNOB	2	2	2	2	2	2	2	
34	2	129574-91650	COVER	1	1	1	1	1	1	1	
35	2	127692-91410	SCREW	16	16	16	16	16	16	16	
36	2	127692-91440	SCREW	4	4	4	4	4	4	4	
37	2	127692-91450	SCREW	2	2	2	2	2	2	2	
38	2	119773-91170	WIREHARNESS	1	1						
38-1	2	119773-91171	WIREHARNESS	1	1	1	1	1	1	1	N
		(A=E/#50759) (B=E/#A0515)									
39	3	124617-91990	FUSE (3A)	1	1	1	1	1	1	1	
40	2	127687-91880	WASHER	6	6	6	6	6	6	6	
41	2	127687-91870	BOLT 6X 35	6	6	6	6	6	6	6	
42	2	124617-91980	BULB	8	8	8	8	8	8	8	

++ CONTINUE ++

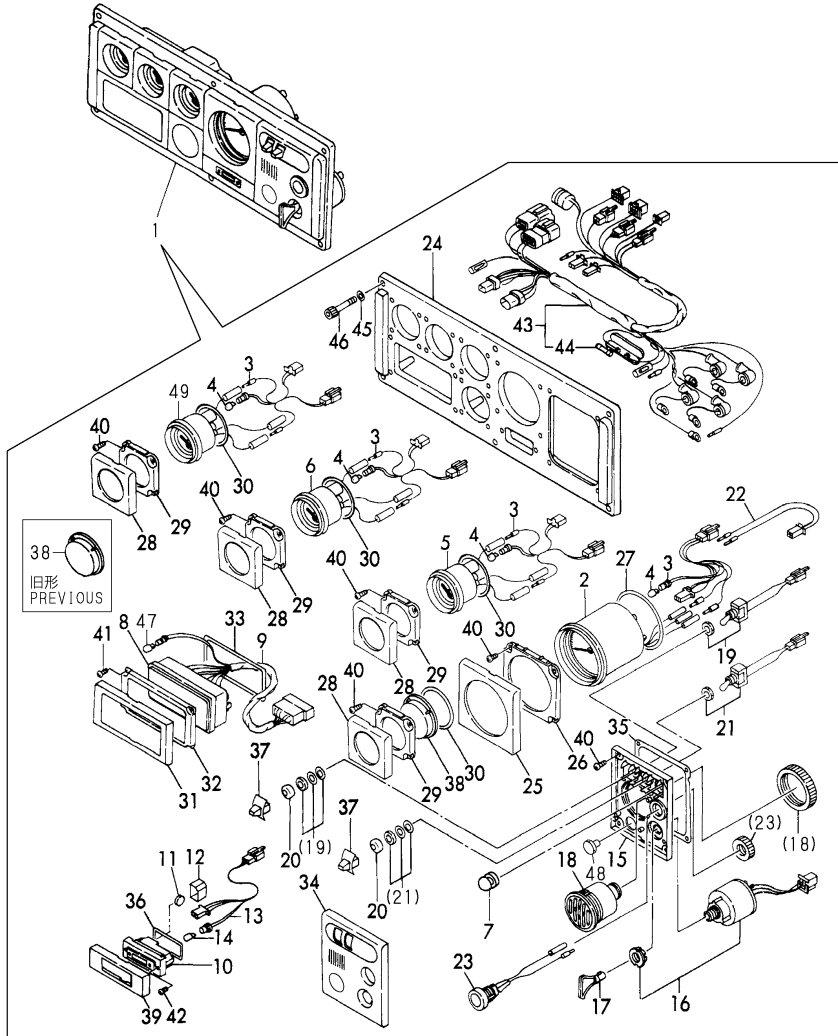


Fig.67.INSTRUMENT PANEL(D-TYPE,OPTION

(A)=4LHA-STE(P) (D)=4LHA-DTZE(P)  
 (B)=4LHA-STZE(P) (E)=4LHA-HTE(P)  
 (C)=4LHA-DTE(P) (F)=4LHA-HTZE(P)

Y00R4782

Fig. 67 計器盤 (Dタイプ, オプション)  
 INSTRUMENT PANEL (D-TYPE, OPTIONAL)



REF.	LEV.	PARTS NO.	DESCRIPTION	Q T Y						I	R
				(A)	(B)	(C)	(D)	(E)	(F)		
1	1	119175-91190	INSTRUMENT PANEL	1	1						
1-1	1	119175-91191	IMSTRUMENT PANEL	1	1						N
		(A=E/#50759) (B=E/#A0515)									
1-2	1	119175-91192	INSTRUMENT PANEL	1	1	1	1	1	1	1	S
		(A=E/#50906) (B=E/#A0571)									
2	2	129574-91200	METER, TACHO./HOUR	1	1	1	1	1	1	1	
3	2	129574-91870	WIRE	3	3	3	3	3	3	3	
4	2	124617-91980	BULB	4	4	4	4	4	4	4	
5	2	129574-91210	METER	1	1	1	1	1	1	1	
6	2	129574-91220	METER	1	1						
6-1	2	129574-91221	METER	1	1	1	1	1	1	1	S
		(A=E/#50906) (B=E/#A0571)									
7	2	129170-91810	BLIND	1	1	1	1	1	1	1	
8	2	119773-91280	BOX	1	1						
8-1	2	119773-91281	BOX	1	1	1	1	1	1	1	N
		(A=E/#50759) (B=E/#A0515)									
9	2	119773-91230	WIRE W/BULB	1	1						
9-1	2	119773-91231	WIRE W/BULB	1	1	1	1	1	1	1	N
		(A=E/#50759) (B=E/#A0515)									
10	2	129574-91240	CLOCK	1	1	1	1	1	1	1	
11	2	127620-91250	CELL	1	1	1	1	1	1	1	
12	2	129574-91490	HOLDER	1	1	1	1	1	1	1	
13	2	129574-91880	WIRE W/BULB	1	1	1	1	1	1	1	
14	2	120147-91760	BULB	1	1	1	1	1	1	1	
15	2	129574-91410	BRACKET	1	1	1	1	1	1	1	
16	2	121575-91250	SWITCH W/KEY	1	1	1	1	1	1	1	
17	2	123482-91291	KEY, SWITCH	1	1	1	1	1	1	1	
18	2	104271-91352	BUZZER	1	1	1	1	1	1	1	
19	2	129170-91800	SWITCH	1	1	1	1	1	1	1	
20	2	129574-91780	CAP	2	2	2	2	2	2	2	
21	2	129574-91790	SWITCH	1	1	1	1	1	1	1	
22	2	129574-91890	WIRE	1	1	1	1	1	1	1	
23	2	129470-91190	STOPPER	1	1	1	1	1	1	1	
24	2	129574-91930	PANEL	1	1	1	1	1	1	1	
25	2	129574-91620	COVER	1	1	1	1	1	1	1	
26	2	129574-91420	BRACKET	1	1	1	1	1	1	1	
27	2	129574-91720	GASKET	1	1	1	1	1	1	1	
28	2	129574-91630	COVER	4	4	4	4	4	4	4	
29	2	129574-91430	BRACKET	4	4	4	4	4	4	4	
30	2	129574-91730	GASKET	4	4	4	4	4	4	4	
31	2	129574-91640	COVER	1	1	1	1	1	1	1	
32	2	129574-91440	BRACKET	1	1	1	1	1	1	1	
33	2	129574-91740	GASKET	1	1	1	1	1	1	1	
34	2	129170-91610	COVER	1	1	1	1	1	1	1	
35	2	129574-91710	GASKET	1	1	1	1	1	1	1	
36	2	129574-91750	GASKET	1	1	1	1	1	1	1	
37	2	129574-91770	KNOB	2	2	2	2	2	2	2	
38	2	129574-91600	BLIND	2	2						
38-1	2	129574-91600	BLIND	1	1	1	1	1	1	1	K
		(A=E/#50906) (B=E/#A0571)									
39	2	129574-91650	COVER	1	1	1	1	1	1	1	
40	2	127692-91410	SCREW	24	24	24	24	24	24	24	
41	2	127692-91440	SCREW	4	4	4	4	4	4	4	
42	2	127692-91450	SCREW	2	2	2	2	2	2	2	

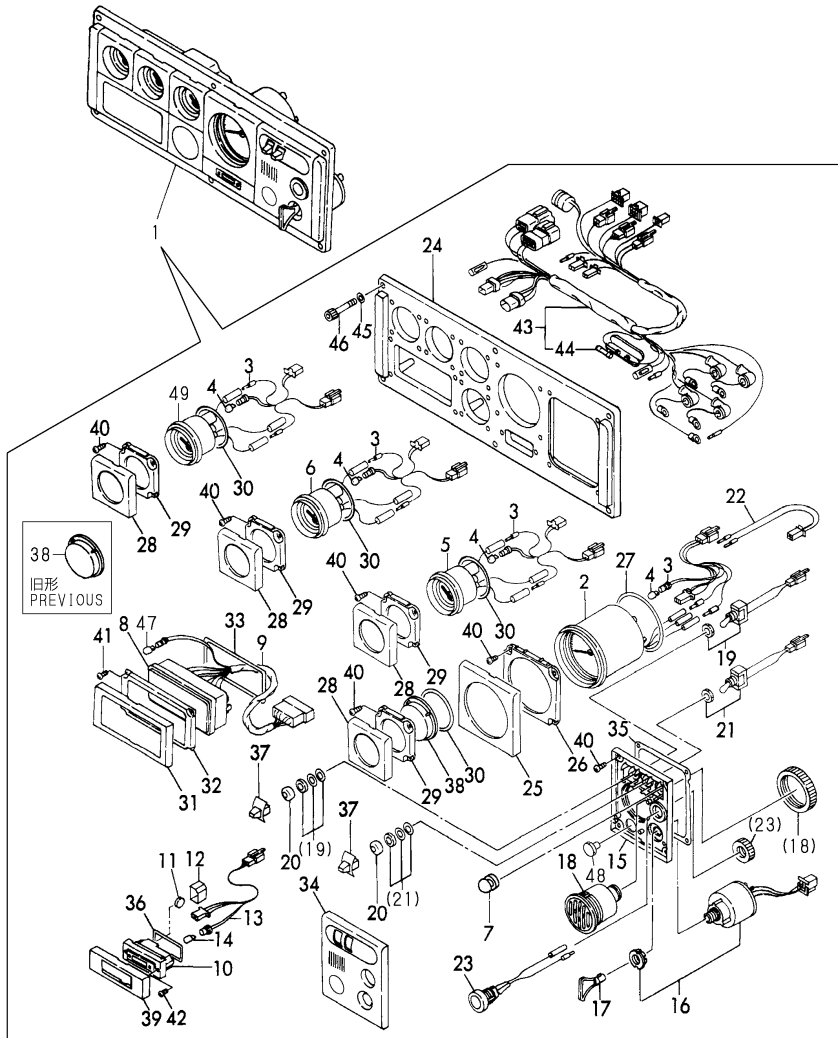
++ CONTINUE ++

Fig.67.INSTRUMENT PANEL(D-TYPE,OPTION)

(A)=4LHA-STE(P) (D)=4LHA-DTZE(P)  
 (B)=4LHA-STZE(P) (E)=4LHA-HTE(P)  
 (C)=4LHA-DTE(P) (F)=4LHA-HTZE(P)

Y00R4782

Fig. **67** 計器盤 (Dタイプ, オプション)  
 INSTRUMENT PANEL (D-TYPE, OPTIONAL)



REF.	LEV.	PARTS NO.	DESCRIPTION	QTY						I	R
				(A)	(B)	(C)	(D)	(E)	(F)		
43	2	119773-91220	WIREHARNESS	1	1						
43-1	2	119773-91221	WIREHARNESS	1	1	1	1	1	1	1	N
		(A=E/#50759) (B=E/#A0515)									
44	3	124617-91990	FUSE (3A)	1	1	1	1	1	1	1	
45	2	127687-91880	WASHER	6	6	6	6	6	6	6	
46	2	127687-91870	BOLT 6X 35	6	6	6	6	6	6	6	
47	2	124617-91980	BULB	8	8	8	8	8	8	8	
48	2	129574-91760	COVER, BLIND	1	1	1	1	1	1	1	
49	2	129574-91311	METER	1	1	1	1	1	1	1	W
		(A=E/#50906) (B=E/#A0571)									

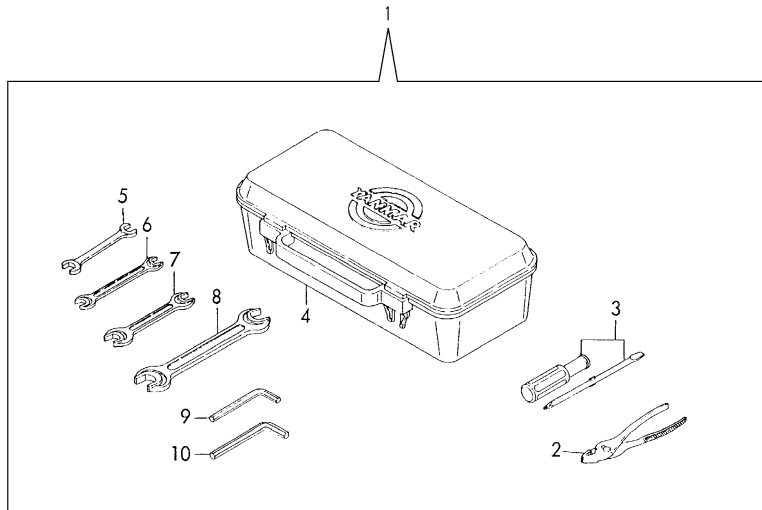
Fig.68.TOOL

(A)=4LHA-STE(P)  
 (B)=4LHA-STZE(P)  
 (C)=4LHA-DTE(P)

(D)=4LHA-DTZE(P)  
 (E)=4LHA-HTE(P)  
 (F)=4LHA-HTZE(P)

Y00R4782

Fig. **68** 工具  
 TOOL



REF.	LEV.	PARTS NO.	DESCRIPTION	QTY						I	R
				(A)	(B)	(C)	(D)	(E)	(F)		
1	1	705311-92100	TOOL ASSY	1	1	1	1	1	1		
2	2	189010-92020	PLIER	1	1	1	1	1	1		
3	2	104200-92350	DRIVER, SCREW	1	1	1	1	1	1		
4	2	104200-92600	BOX, TOOL	1	1	1	1	1	1		
5	2	28110-100130	WRENCH 10X13	1	1	1	1	1	1		
6	2	28110-120140	WRENCH 12X14	1	1	1	1	1	1		
7	2	28110-170190	WRENCH 17X19	1	1	1	1	1	1		
8	2	28110-220240	WRENCH 22X24	1	1	1	1	1	1		
9	2	28150-050000	BAR WRENCH	1	1	1	1	1	1		
10	2	28150-060000	BAR WRENCH 6	1	1	1	1	1	1		

Fig.69.GASKET SET(OPTIONAL)

(A)=4LHA-STE(P) (D)=4LHA-DTZE(P)  
 (B)=4LHA-STZE(P) (E)=4LHA-HTE(P)  
 (C)=4LHA-DTE(P) (F)=4LHA-HTZE(P)

REF.	LEV.	PARTS NO.	DESCRIPTION	QTY						I	R
				(A)	(B)	(C)	(D)	(E)	(F)		
1	1	719173-92600	GASKET SET	1	1	1	1	1	1		
2	2	119174-01340	GASKET,CYL.HEADT1.30	1	1	1	1	1	1		
3	2	119000-01771	GASKET,(NON ASB.)	1	1	1	1	1	1		
4	2	119100-12113	GASKET	1	1	1	1	1	1		
5	2	128300-13230	PACKING	1	1	1	1	1	1		
6	2	119000-32020	GASKET, L.O.PUMP	1	1	1	1	1	1		
7	2	119000-33022	GASKET, (NON-ASB.)	1	1	1	1	1	1		
8	2	119000-42021	GASKET, (NON-ASB.)	1	1	1	1	1	1		
9	2	977770-01212	GASKET, LIQUID	1	1	1	1	1	1		
10	2	119174-13201	GASKET(CFW COOLER)	1	1	1	1	1	1		

Y00R4782

Fig. 69 パッキンセット (オプション)  
 GASKET SET (OPTIONAL)

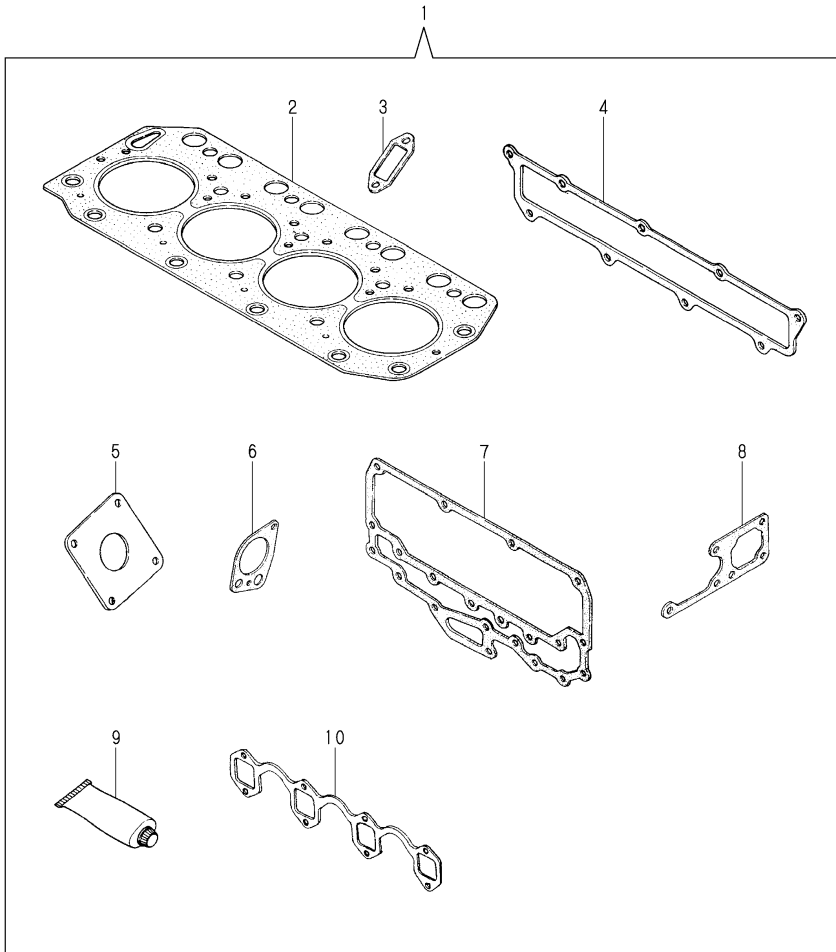
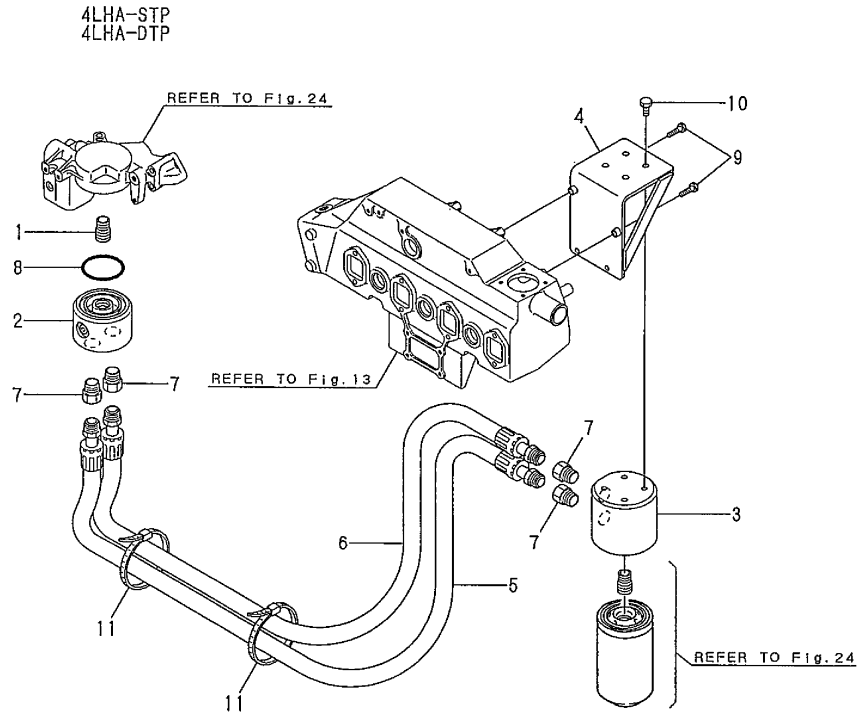


Fig.70.REMOTE LUB.OIL STRAINER(OPTIONAL)

P/C NEWS No:Y00R4782-1  
PUBLISHED:2002/7

Fig. 70 リモート潤滑油フィルタ (オプション)  
REMOTE LUB.OIL STRAINER (OPTIONAL)



Y00R4782 70.REMOTE LUB.OIL STRAINER(OPTIONAL)

(A)=4LHA-STE(P) (D)=4LHA-DTZE(P)  
(B)=4LHA-STZE(P) (E)=4LHA-HTE(P)  
(C)=4LHA-DTE(P) (F)=4LHA-HTZE(P)

REF.	LEV.	PARTS NO.	DESCRIPTION	Q'TY						I	R		
				(A)	(B)	(C)	(D)	(E)	(F)				
I	1	1	119175-35180	STUD,LUB.OIL FILTER	1		1					1	
I	2	1	119175-35300	ADAPTER A,L.O.FILTER	1		1					1	
I	3	1	119175-35310	ADAPTER B,L.O.FILTER	1		1					1	
I	4	1	119175-35320	BRACKET,ADAPTER B	1		1					W	1
		(A=*2002.06)		(C=*2002.06)									
I	5	1	119175-39100	LO-T,FILTER IN	1		1					1	
I	6	1	119175-39110	LO-T,FILTER OUT	1		1					1	
I	7	1	119574-39200	JOINT,LOT	4		4					1	
I	8	1	24311-000700	O-RING 1A P-70.0	1		1					1	
I	9	1	26106-080302	BOLT M 8X 30 PLATED	4		4					1	
I	10	1	26106-100222	BOLT M10X 22 PLATED	4		4					1	
I	11	1	29621-300000	BAND	2		2					1	

今回この項目を追加しました。  
THIS FIGURE IS NEWLY ADDED.

Remarks  
(1)ONLY 4LHA-STP,4LHA-DTP IS ADDED.

Fig.71.KIT, FIREPROOF FUEL STRAINER(4LHA-HT(Z)E(P))

P/C NEWS No. : Y00R4782-5  
 PUBLISHED : 2006/2

Y00R4782 71.KIT, FIREPROOF FUEL STRAINER(4LHA-HT(Z)E(P))

(A)=4LHA-STE(P) (D)=4LHA-DTZE(P)  
 (B)=4LHA-STZE(P) (E)=4LHA-HTE(P)  
 (C)=4LHA-DTE(P) (F)=4LHA-HTZE(P)

REF.	LEV.	PARTS NO.	DESCRIPTION	QTY						I	R	
				(A)	(B)	(C)	(D)	(E)	(F)			
I	1	119172-55650	BRACKET, FUEL FILTER							1	1	W
						(E=*2006.01)					(F=*2006.01)	
I	2	119172-55810	CASE KIT, FO FILTER							1	1	W
						(E=*2006.01)					(F=*2006.01)	
I	3	119172-59210	PIPE, FUEL							1	1	W
						(E=*2006.01)					(F=*2006.01)	
I	4	119172-77840	HARNES WIRE SPARE							1	1	W
						(E=*2006.01)					(F=*2006.01)	
I	5	26106-100402	BOLT M10X 40 PLATED							2	2	W
						(E=*2006.01)					(F=*2006.01)	

