

**Skyland Metal & Alloys Inc.**



**Socket Weld  
Swage Nipple  
Dimensions**

## Check Socket Weld Swage Nipple Dimensions

View the Market price before you buy socket weld swage nipple, Swage nipple manufacturer in india.

Check Concentric swage nipple weight chart & Swage nipple pressure rating, MSS SP 95 swage nipple Suppliers in india, Get Discount on Swage nipple price.

Skyland Metal & Alloys Inc. is a leading manufacturer and supplier of socket weld swage nipple that are being designed as per the international and national standard quality of raw materials and thus making sure of their durability and high quality. We use high quality raw materials for manufacturing stainless steel swage nipples and carbon steel swage nipples & alloy steel swage nipples. Typical applications of these socket weld pipe nipple & mss sp 95 swage nipple are Food and Beverage, Irrigation and Pumping, Marine, Agriculture and Machinery, Motoring, Petrochemical, Geothermal etc.

socket weld swage nipple are manufactured by cutting a specified length of pipe and applying the desired end connections. However, these nipples may come in the seamless and welded construction. For socket weld pipe nipple, they come in two types concentric swage nipple and eccentric swage nipple. It is the shortest piece of pipe necessary to allow for fully threaded end connections, where smooth surface between threads are not present.



[Check socket weld swage nipple dimensions](#)

We Keep bulk stock of concentric swage nipple, Eccentric swage nipple Instant Delivery in UAE.

### ASME B16.11 Forged Swage Nipple Specification

**Dimension :** ASME 16.11, MSS SP-79, MSS SP-95, 83, 95, 97, BS 3799

**Type :** Socketweld Fittings & Screwed-Threaded NPT, BSP, BSPT Fittings

**Form :** Swage Nipple, Concentric Swage Nipple, Eccentric Swage Nipple, Pipe Nipple, Hex Nipple, Barrel Nipple

**Standard :** ASTM A182, ASTM SA182

**Size :** 1/4" NB TO 4" NB

**Class :** 2000 LBS, 3000 LBS, 6000 LBS, 9000 LBS

### ASME B16.11 Forged Swage Nipple Material & Grades :

#### **Stainless Steel Forged Swage Nipple :**

ASTM A182, ASTM / ASME SA 358, ASTM / ASME SA 312 GR. TP 304, 304L, 304H, 309S, 309H, 310S, 310H, 316, 316TI, 316H, 316LN, 317, 317L, 321, 321H, 347, 347H, 904L.

#### **Duplex & Super Duplex Steel Forged Swage Nipple :**

ASTM A 182 – F 51, F53, F55 S 31803, S 32205, S 32550, S 32750, S 32760, S 32950.

#### **Carbon Steel Forged Swage Nipple :**

ASTM/ ASME A 105, ASTM/ ASME A 350 LF 2, ASTM / ASME A 53 GR. A & B, ASTM A 106 GR. A, B & C. API 5L GR. B, API 5L X 42, X 46, X 52, X 60, X 65 & X 70. ASTM / ASME A 691 GR A, B & C

#### **Alloy Steel Forged Swage Nipple :**

ASTM / ASME A 182, ASTM / ASME A 335 GR P 1, P 5, P 9, P 11, P 12, P 22, P 23, P 91, ASTM / ASME A 691 GR 1 CR, 1 1/4 CR, 2 1/4 CR, 5 CR, 9CR, 91

Our stainless steel swage nipple products are supplied with complete details on the chemical and physical properties of the materials. Our Forged Fitting Swage Nipple can further be customized in terms of sizes, thicknesses and specifications as per the specific requirements of our clients. This socket weld swage nipple & socket weld pipe nipple commonly comes without coating also referred to as black or plan coating.

Get instant delivery of swage nipple galvanized, We supply high quality threaded swage nipple, Anvil swage nipple at reasonable price in india.

## Concentric Swage Nipple Weight Chart

Nominal Size		Parallel Length, min			Eccentricity		Wall Thickness		
		A	B	C	E		T (both ends)		
					Threaded/ Plain	Plain	Threaded		
in	mm	mm	mm	mm	in				
¾ x ¾	10 x 8	76	48	16	1.6	0.06		-	-
¾ x ¾	15 x 10	89	56	19	1.6	0.06		-	-
¾ x ¾	15 x 8	89	56	19	3.2	0.12		-	-
¾ x ½	20 x 15	95	57	22	2.4	0.09		Schedule 160	XXS
¾ x ¾	20 x 10	95	57	22	4.0	0.15		-	-
1 x ¾	25 x 20	102	64	22	2.8	0.11	Schedule 80	-	-
1 x ¾	25 x 15	102	64	22	5.2	0.20		-	-
1½ x 1	40 x 25	114	70	25	6.7	0.26		-	-
1½ x ¾	40 x 20	114	70	25	9.5	0.37		-	-
1½ x ½	40 x 15	114	70	25	11.9	0.46		-	-
2 x 1½	50 x 40	165	108	29	5.8	0.20		-	-
2 x 1	50 x 25	165	108	29	12.7	0.5		-	-
2 x ¾	50 x 20	165	108	29	15.5	0.61		-	-
2 x ½	50 x 15	165	108	29	17.5	0.68		-	-
2½ x 2	65 x 50	178	114	32	4.8	0.19		-	-
2½ x 1½	65 x 40	178	114	32	10.3	0.40		-	-
3 x 2½	80 x 65	203	133	41	7.1	0.28		-	-
3 x 2	80 x 50	203	133	41	11.9	0.48		-	-
3 x 1½	80 x 40	203	133	41	17.5	0.69		-	-
4 x 3	100 x 80	229	140	48	11.9	0.46	-	-	
4 x 2½	100 x 65	229	140	48	19.1	0.75	-	-	
							Schedule 160	XXS	

Skyland metal Swage Nipples are manufactured accordance with MSS-SP-95 (Design Specification), [A350-LF2](#), A106, A312, [A234](#), [A403](#), [ASTM A182 \(F304, F304L, F316, F316L\)](#) and ASME BS 3799, [ASTM A105](#). socket weld pipe nipple or socket weld swage nipple are a type of pipe connection fitting used to go from one size tubing or casing to another. Some of the common grade socket weld swage nipple we manufacture include [A403-WP316](#), [A403-WP304](#), [A234-WPB](#), and A420-WPL6 in size range of 1/4" through to 8" for concentric ss swage nipples and 1/4" to 4" for eccentric swage nipples. The raw materials we use are fully traceable to the mill source through our MTR reports.

Swage nipple material Specification Standards: ASTM SA182, ASTM A182, Dimension: ASME 16.11, MSS SP-79, 83, 95, 97, BS 3799, Size : 1/4" NB TO 4" NB, Class : 2000 LBS, 3000 LBS, 6000 LBS, 9000 LBS, Form : [Pipe Nipple](#), [Hex Nipple](#), [Swage Nipple](#), Barrel Nipple, swage nipple types [Socketweld Fittings](#) & [Screwed-Threaded NPT](#), BSP, BSPT Fittings.

Specialist of Manufacturing threaded swage nipple, Duplex Screwed Swage Nipple, stainless steel swage nipple, MSS SP-79 Swage Nipple, carbon steel swage nipple, Inconel Swage Nipple. We Export concentric swage nipple standard in Qatar, Kingdom Of Bahrain, Saudi Arabia, Indonesia, Turkey, UAE, Russia, Ukraine, South Africa, United States, Singapore, Malaysia, Australia, etc.

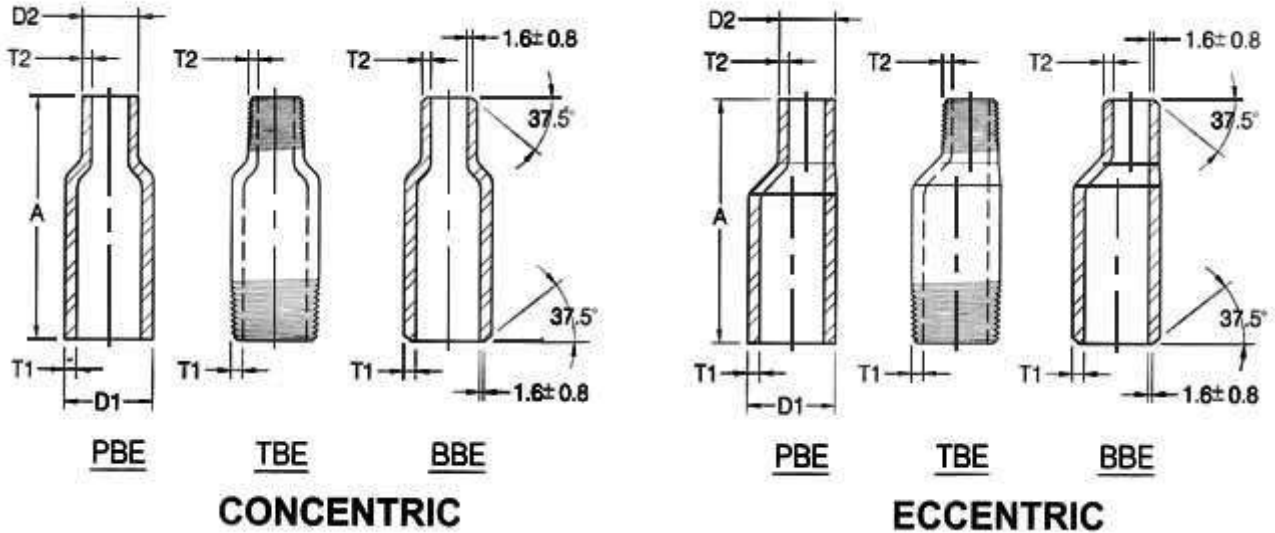
[Check Socket Weld Swage Nipple Dimensions](#)





## Swaged Nipples

MSS-SP-95-2006



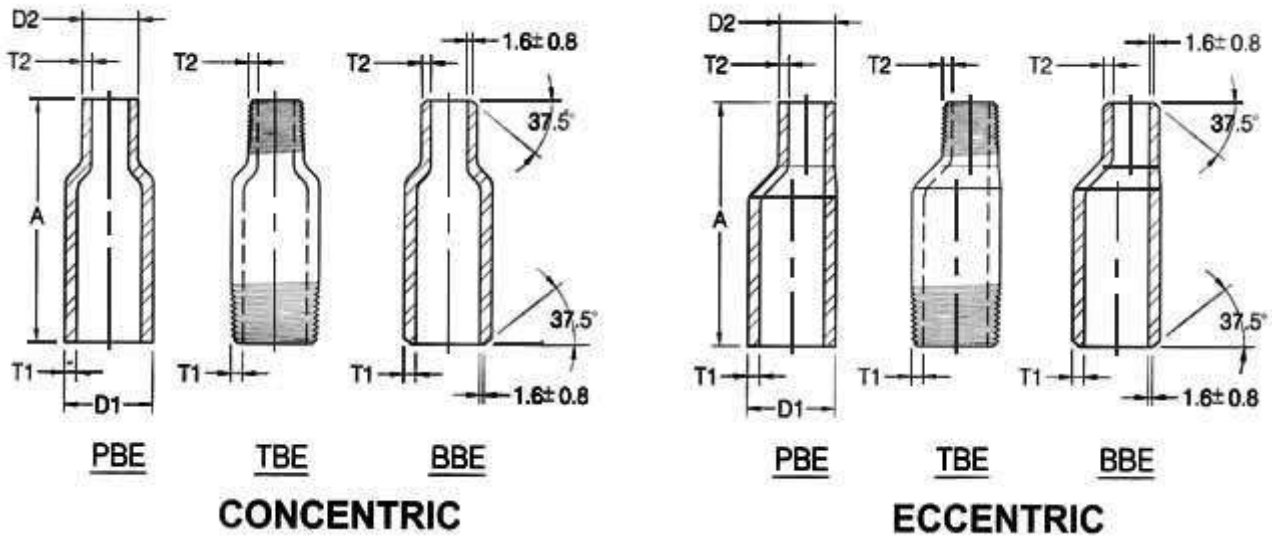
Nominal Pipe Size (NPS)	Outside Diameter Large End D1	Diameter Small End D2	End To End "A"	Wall Thickness							
				T1				T2			
				Sch40 (STD)	Sch80 (XS)	Sch160	XXS	Sch40 (STD)	Sch80 (XS)	Sch160	XXS
1/4"x1/8"	13.7	10.3	57	2.2	3.0	3.7	6.1	1.7	2.4		
3/8"x1/8"	17.1	10.3	64	2.3	3.2	4.0	6.4	1.7	2.4		
3/8"x1/4"	17.1	13.7	64	2.3	3.2	4.0	6.4	2.2	3.0		
1/2"x1/8"	21.3	10.3	70	2.8	3.7	4.8	7.5	1.7	2.4		
1/2"x1/4"	21.3	13.7	70	2.8	3.7	4.8	7.5	2.2	3.0		
1/2"x3/8"	21.3	17.1	70	2.8	3.7	4.8	7.5	2.3	3.2		
3/4"x1/8"	26.7	10.3	76	2.9	3.9	5.6	7.8	1.7	2.4		
3/4"x1/4"	26.7	13.7	76	2.9	3.9	5.6	7.8	2.2	3.0		
3/4"x3/8"	26.7	17.1	76	2.9	3.9	5.6	7.8	2.3	3.2		
3/4"x1/2"	26.7	21.3	76	2.9	3.9	5.6	7.8	2.8	3.7	4.8	7.5
1"x1/8"	33.4	10.3	89	3.4	4.5	6.4	9.1	1.7	2.4		
1"x1/4"	33.4	13.7	89	3.4	4.5	6.4	9.1	2.2	3.0		
1"x3/8"	33.4	17.1	89	3.4	4.5	6.4	9.1	2.3	3.2		
1"x1/2"	33.4	21.3	89	3.4	4.5	6.4	9.1	2.8	3.7	4.8	7.5
1"x3/4"	33.4	26.7	89	3.4	4.5	6.4	9.1	2.9	3.9	5.6	7.8
1-1/4"x1/8"	42.2	10.3	102	3.6	4.9	6.4	9.7	1.7	2.4		
1-1/4"x1/4"	42.2	13.7	102	3.6	4.9	6.4	9.7	2.2	3.0		
1-1/4"x3/8"	42.2	17.1	102	3.6	4.9	6.4	9.7	2.3	3.2		
1-1/4"x1/2"	42.2	21.3	102	3.6	4.9	6.4	9.7	2.8	3.7	4.8	7.5
1-1/4"x3/4"	42.2	26.7	102	3.6	4.9	6.4	9.7	2.9	3.9	5.6	7.8
1-1/4"x1"	42.2	33.4	102	3.6	4.9	6.4	9.7	3.4	4.5	6.4	9.1
1-1/2"x1/8"	48.3	10.3	114	3.7	5.1	7.1	10.2	1.7	2.4		
1-1/2"x1/4"	48.3	13.7	114	3.7	5.1	7.1	10.2	2.2	3.0		
1-1/2"x3/8"	48.3	17.1	114	3.7	5.1	7.1	10.2	2.3	3.2		
1-1/2"x1/2"	48.3	21.3	114	3.7	5.1	7.1	10.2	2.8	3.7	4.8	7.5
1-1/2"x3/4"	48.3	26.7	114	3.7	5.1	7.1	10.2	2.9	3.9	5.6	7.8
1-1/2"x1"	48.3	33.4	114	3.7	5.1	7.1	10.2	3.4	4.5	6.4	9.1
1-1/2"x1-1/4"	48.3	42.2	114	3.7	5.1	7.1	10.2	3.6	4.9	6.4	9.7
2"x1/8"	60.3	10.3	165	3.9	5.5	8.7	11.1	1.7	2.4		
2"x1/4"	60.3	13.7	165	3.9	5.5	8.7	11.1	2.2	3.0		
2"x3/8"	60.3	17.1	165	3.9	5.5	8.7	11.1	2.3	3.2		
2"x1/2"	60.3	21.3	165	3.9	5.5	8.7	11.1	2.8	3.7	4.8	7.5

(Continued)



### Swaged Nipples

MSS-SP-95-2006



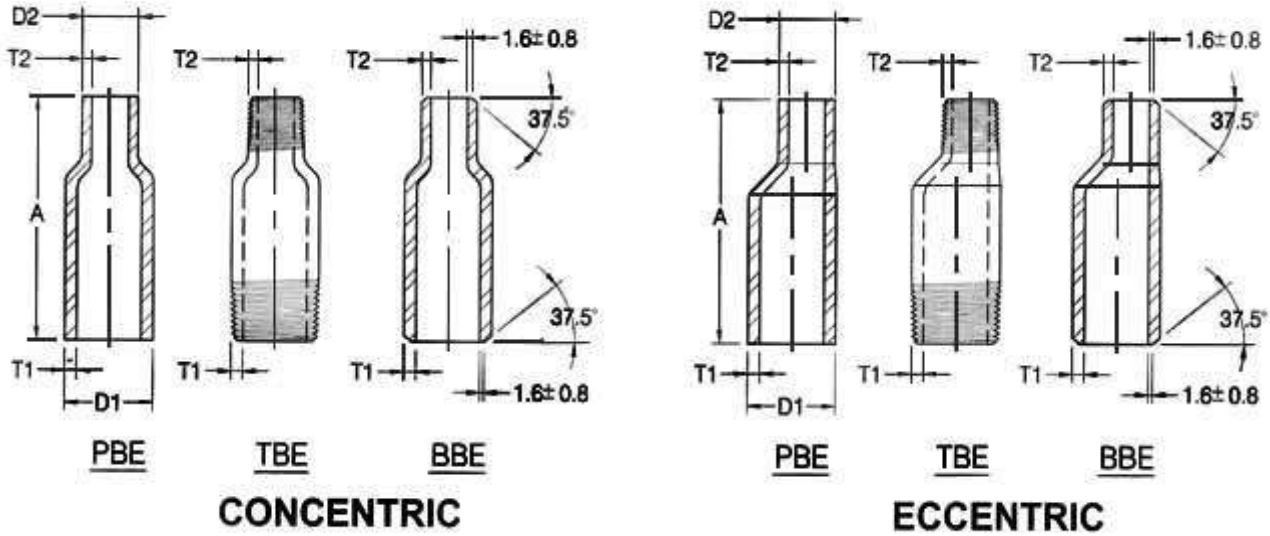
(Continued)

Nominal Pipe Size (NPS)	Outside Diameter		End To End "A"	Wall Thickness							
	Large End D1	Small End D2		T1				T2			
				Sch40 (STD)	Sch80 (XS)	Sch160	XXS	Sch40 (STD)	Sch80 (XS)	Sch160	XXS
2"x3/4"	60.3	26.7	165	3.9	5.5	8.7	11.1	2.9	3.9	5.6	7.8
2"x1"	60.3	33.4	165	3.9	5.5	8.7	11.1	3.4	4.5	6.4	9.1
2"x1-1/4"	60.3	42.2	165	3.9	5.5	8.7	11.1	3.6	4.9	6.4	9.7
2"x1-1/2"	60.3	48.3	165	3.9	5.5	8.7	11.1	3.7	5.1	7.1	10.2
2-1/2"x1/8"	73.0	10.3	178	5.2	7.0	9.5	14.0	1.7	2.4		
2-1/2"x1/4"	73.0	13.7	178	5.2	7.0	9.5	14.0	2.2	3.0		
2-1/2"x3/8"	73.0	17.1	178	5.2	7.0	9.5	14.0	2.3	3.2		
2-1/2"x1/2"	73.0	21.3	178	5.2	7.0	9.5	14.0	2.8	3.7	4.8	7.5
2-1/2"x3/4"	73.0	26.7	178	5.2	7.0	9.5	14.0	2.9	3.9	5.6	7.8
2-1/2"x1"	73.0	33.4	178	5.2	7.0	9.5	14.0	3.4	4.5	6.4	9.1
2-1/2"x1-1/4"	73.0	42.2	178	5.2	7.0	9.5	14.0	3.6	4.9	6.4	9.7
2-1/2"x1-1/2"	73.0	48.3	178	5.2	7.0	9.5	14.0	3.7	5.1	7.1	10.2
2-1/2"x2"	73.0	60.3	178	5.2	7.0	9.5	14.0	3.9	5.5	8.7	11.1
3"x1/8"	88.9	10.3	203	5.5	7.6	11.1	15.2	1.7	2.4	3.2	4.8
3"x1/4"	88.9	13.7	203	5.5	7.6	11.1	15.2	2.2	3.0	3.7	6.1
3"x3/8"	88.9	17.1	203	5.5	7.6	11.1	15.2	2.3	3.2	4.0	6.4
3"x1/2"	88.9	21.3	203	5.5	7.6	11.1	15.2	2.8	3.7	4.8	7.5
3"x3/4"	88.9	26.7	203	5.5	7.6	11.1	15.2	2.9	3.9	5.6	7.8
3"x1"	88.9	33.4	203	5.5	7.6	11.1	15.2	3.4	4.5	6.4	9.1
3"x1-1/4"	88.9	42.2	203	5.5	7.6	11.1	15.2	3.6	4.9	6.4	9.7
3"x1-1/2"	88.9	48.3	203	5.5	7.6	11.1	15.2	3.7	5.1	7.1	10.2
3"x2"	88.9	60.3	203	5.5	7.6	11.1	15.2	3.9	5.5	8.7	11.1
3"x2-1/2"	88.9	73.0	203	5.5	7.6	11.1	15.2	5.2	7.0	9.5	14.0
3-1/2"x1/8"	101.6	10.3	203	5.7	8.1			1.7	2.4		
3-1/2"x1/4"	101.6	13.7	203	5.7	8.1			2.2	3.0		
3-1/2"x3/8"	101.6	17.1	203	5.7	8.1			2.3	3.2		
3-1/2"x1/2"	101.6	21.3	203	5.7	8.1			2.8	3.7	4.8	7.5
3-1/2"x3/4"	101.6	26.7	203	5.7	8.1			2.9	3.9	5.6	7.8
3-1/2"x1"	101.6	33.4	203	5.7	8.1			3.4	4.5	6.4	9.1
3-1/2"x1-1/4"	101.6	42.2	203	5.7	8.1			3.6	4.9	6.4	9.7

(Continued)

### Swaged Nipples

MSS-SP-95-2006



(Continued)

Nominal Pipe Size (NPS)	Outside Diameter		End To End "A"	Wall Thickness							
	Large D1	Small D2		T1				T2			
				Sch40 (STD)	Sch80 (XS)	Sch160	XXS	Sch40 (STD)	Sch80 (XS)	Sch160	XXS
3-1/2"x1-1/2"	101.6	48.3	203	5.7	8.1			3.7	5.1	7.1	10.2
3-1/2"x2"	101.6	60.3	203	5.7	8.1			3.9	5.5	8.7	11.1
3-1/2"x2-1/2"	101.6	73.0	203	5.7	8.1			5.2	7.0	9.5	14.0
3-1/2"x3"	101.6	88.9	203	5.7	8.1			5.5	7.6	11.1	15.2
4"x1/4"	114.3	13.7	229	6.0	8.6	13.5	17.1	2.2	3.0		
4"x3/8"	114.3	17.1	229	6.0	8.6	13.5	17.1	2.3	3.2		
4"x1/2"	114.3	21.3	229	6.0	8.6	13.5	17.1	2.8	3.7	4.8	7.5
4"x3/4"	114.3	26.7	229	6.0	8.6	13.5	17.1	2.9	3.9	5.6	7.8
4"x1"	114.3	33.4	229	6.0	8.6	13.5	17.1	3.4	4.5	6.4	9.1
4"x1-1/4"	114.3	42.2	229	6.0	8.6	13.5	17.1	3.6	4.9	6.4	9.7
4"x1-1/2"	114.3	48.3	229	6.0	8.6	13.5	17.1	3.7	5.1	7.1	10.2
4"x2"	114.3	60.3	229	6.0	8.6	13.5	17.1	3.9	5.5	8.7	11.1
4"x2-1/2"	114.3	73.0	229	6.0	8.6	13.5	17.1	5.2	7.0	9.5	14.0
4"x3"	114.3	88.9	229	6.0	8.6	13.5	17.1	5.5	7.6	11.1	15.2
4"x3-1/2"	114.3	101.6	229	6.0	8.6	13.5	17.1	5.7	8.1		

(1) Dimensions in Millimeters.

(2) Wall Thickness : T1 & T2 in accordance with ASME B36.10M

PBE : Plain Both Ends  
PSE : Plain Small End  
PLE : Plain Large End

BBE : Bevel Both Ends  
BSE : Bevel Small End  
BLE : Bevel Large End

TBE : Thread Both Ends  
TSE : Thread Small End  
TLE : Thread Large End

#### Dimensional Tolerance of Swaged Nipple

Nominal Pipe Size (inch)	Overall Length (mm)	Outside diameter at end		Wall Thickness (prior to threading or grooving)
		Square Cut Ends (mm)	Other End Connection (mm)	
1/8" to 3/8"	± 1.5	+ 0.40 - 0.80	± 0.80	Not less than 87.5% of nominal wall thickness
1/2" to 1-1/2"	± 1.5	+ 0.40 - 0.80	+ 1.50 - 0.80	
2" to 2-1/2"	± 3.0	± 0.80	+ 1.50 - 0.80	
3" to 4"	± 3.0	± 0.80	± 1.50	

(1) Dimensions in Millimeters.

(2) Prior to threading or grooving