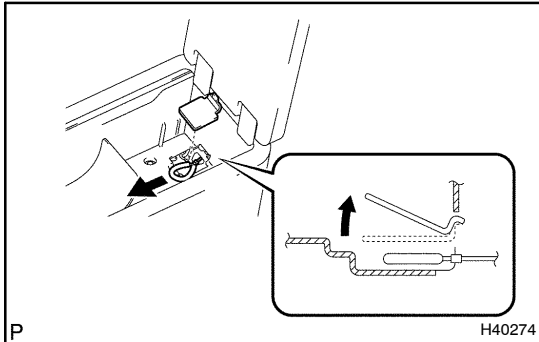


MANUAL CLOSE OPERATION

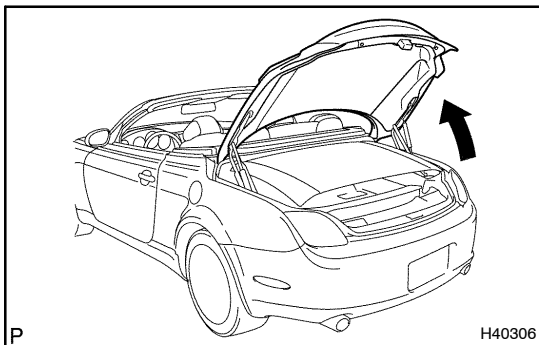
NOTICE:

When operating manually, make sure that the audio set is turned off and the radio antenna is retracted.



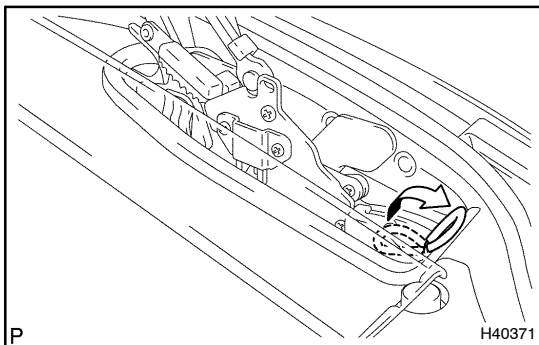
1. RELEASE LUGGAGE DOOR LOCK

- (a) Open the cover of the center console box and turn up the mat.
- (b) Remove the cover.
- (c) Pull the luggage door lock release wire to unlock.



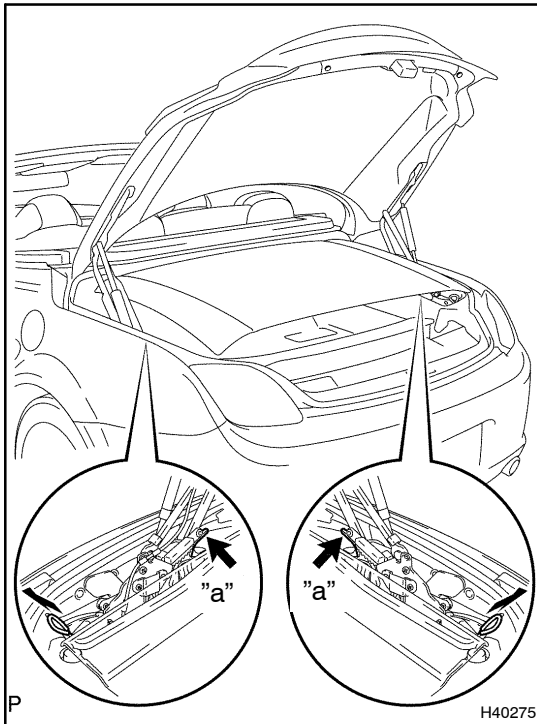
2. FULLY OPEN LUGGAGE COMPARTMENT DOOR

- (a) Fully open the luggage compartment door.



3. OPEN LUGGAGE COMPARTMENT DOOR FROM FRONT SIDE

- (a) Pull out the luggage front lock release wire.



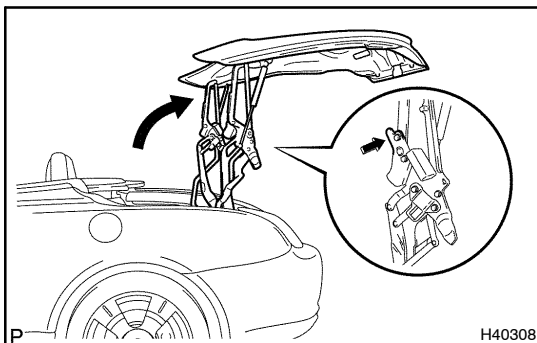
- (b) While pulling the wire, slowly raise the front lower part of the luggage link (shown as part "a").

NOTICE:

- The operation should be performed by 2 persons.
- As this operation requires considerable force, gradually apply force to the part.
- Never apply force to any part other than "a" (e.g. luggage, door). Doing so may cause deformation.
- Raise it almost equally on the right and left sides.

HINT:

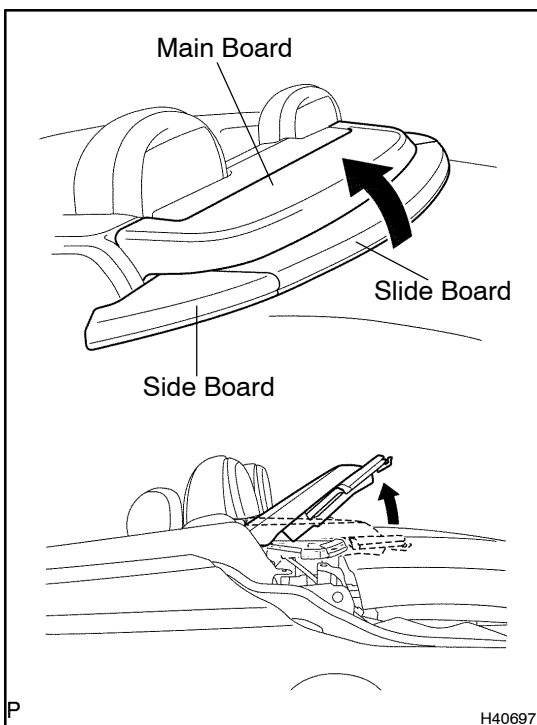
Part "a" is marked with green.



- (c) Open the luggage compartment door from the front side as illustrated.

NOTICE:

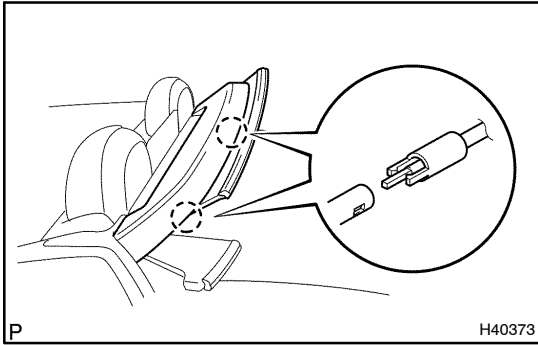
The operation should be performed by 2 persons.

**4. RAISE PACKAGE TRAY TRIM**

- (a) Place both hands under the rear part of the package tray in the positions close to both ends and raise the package tray gradually at 30° to 45°.

NOTICE:

- Place both yours hands on the slide board in the positions close to the both ends.
- Do not apply direct force to the side board as it is operated in connection with the main board.
- Do not place the hands on the edges of the main board.



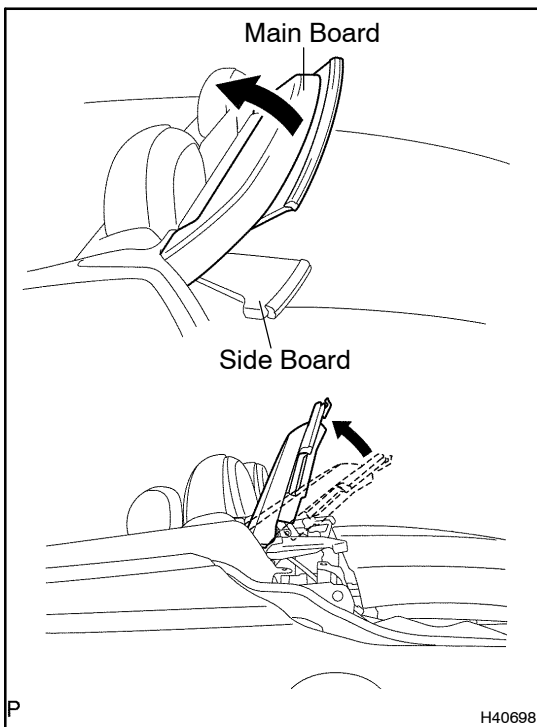
- (b) Disconnect the joints of the cables from the package tray trim gear box.

CAUTION:

Take care not to injure your hands when disconnect the joints.

NOTICE:

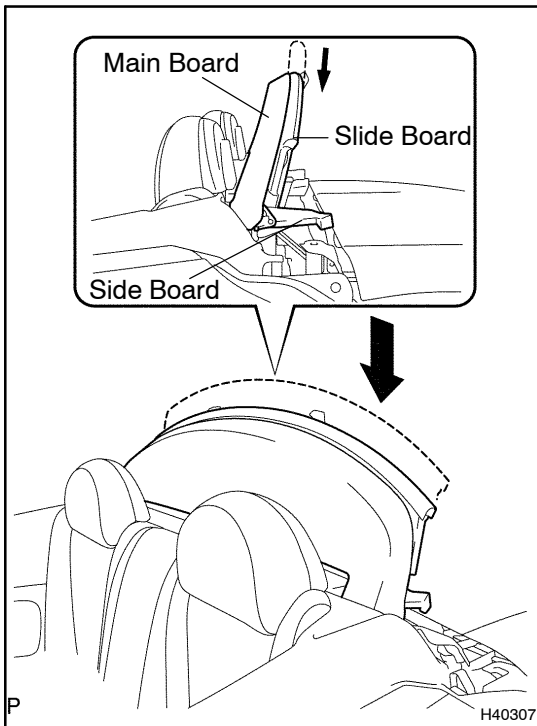
- As the cable is coated with grease, carefully prevent the seat, seat belt or other parts from being contact with it.
- Be careful to prevent the removed cable from being excessively pressed against the package tray gear box.



- (c) Raise the package tray gradually until it stops.

NOTICE:

Do not apply direct force to the side board as it is operated in connection with the main board.



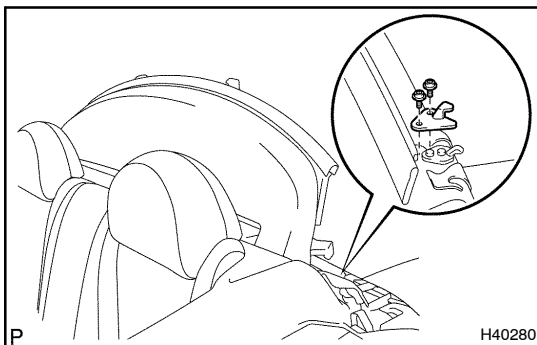
- (d) Place both your hands on the slide board in the positions close to both ends and push it down.

NOTICE:

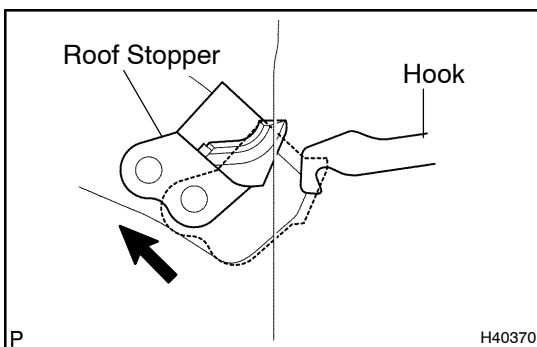
Do not touch the side board.

HINT:

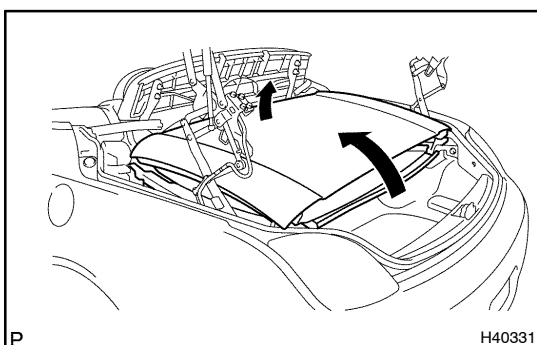
- Push down the slide board until it reaches the same height of the main board.
- If the slide board is lowered, at the same time, the slide board is retracted in connection with the slide board.

**5. REMOVE ROOF STOPPER**

- (a) Using a hexagon wrench, remove the 2 bolts.



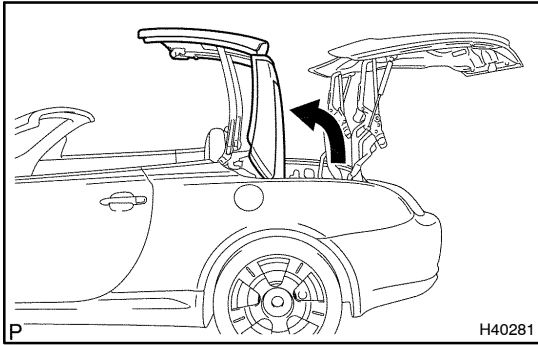
- (b) Slide the roof stopper and take it off from the hook.
 (c) Use the same manner described above to the other side.

**6. HALF-CLOSE ROOF PANEL**

- (a) Insert your hands at the lower part of the roof and lift the roof upward gradually. At the time, lift the front of the roof a little.

NOTICE:

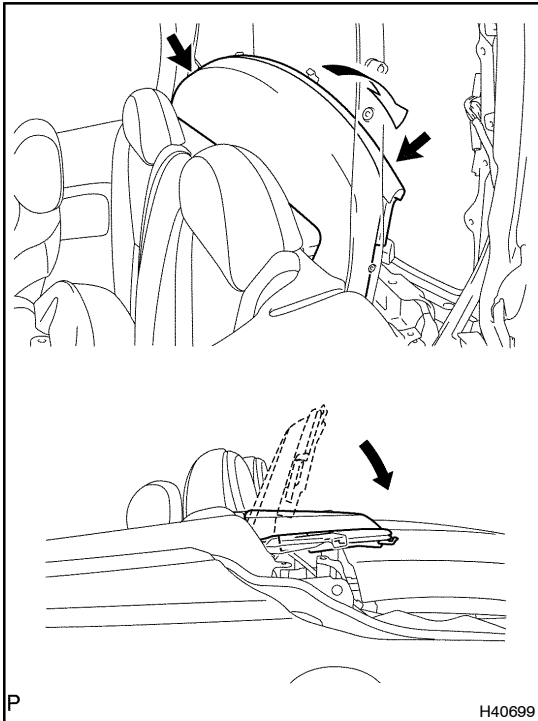
The operation should be performed by 2 persons.



(b) Stop the motion when the back window stands upright.

NOTICE:

- As this operation requires considerable force, gradually apply force to the part.
- Raise it almost equally on the right and left sides.

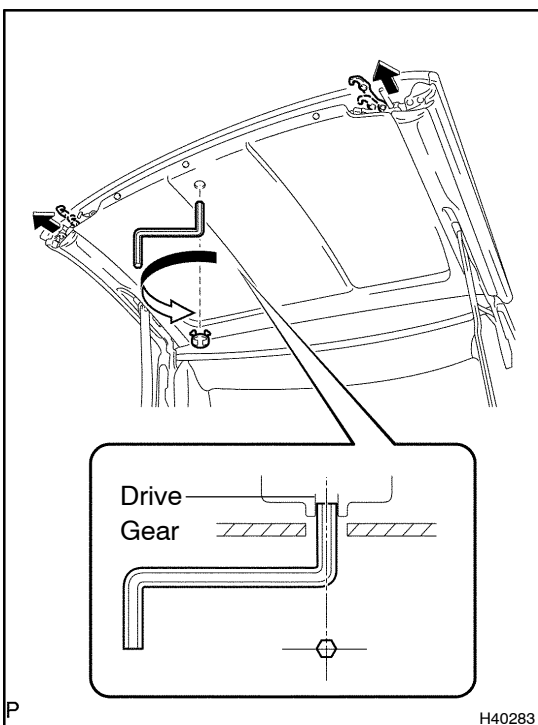


7. FOLD DOWN PACKAGE TRAY TRIM

(a) Slowly fold down the main board rearward.

NOTICE:

Do not place the hands on the edges of the main board.



8. RELEASE REMOVABLE ROOF LOCK

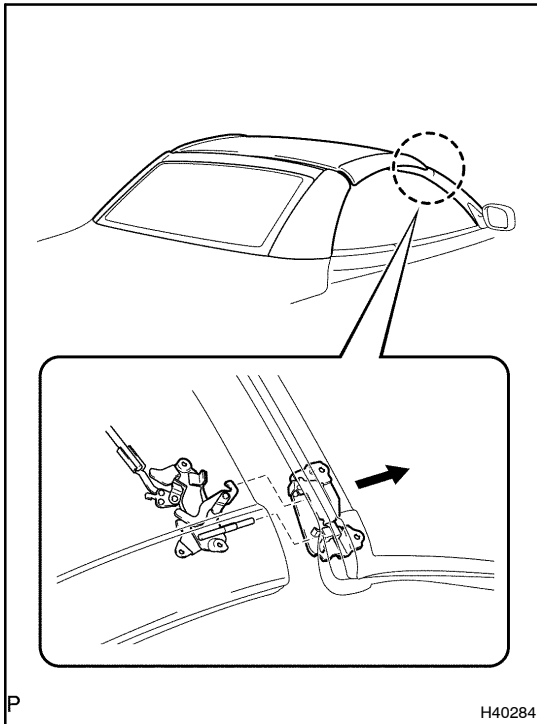
- (a) Remove the service hole cover from the roof headlining.
- (b) Insert the hexagon wrench tip into the drive gear shaft and turn the hexagon wrench about one turn counterclockwise as viewed from the bottom.

NOTICE:

After the rotation is stopped, do not apply excessive to the drive gear shaft.

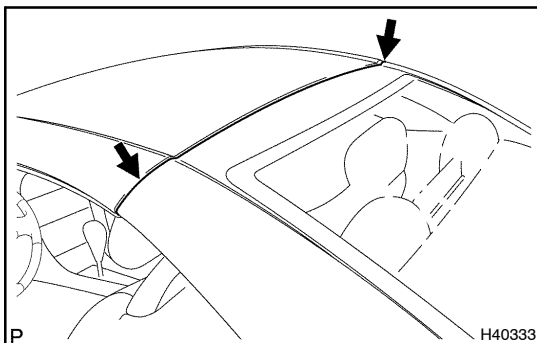
HINT:

Approx. one full rotation makes it unlock.



9. FULLY CLOSE ROOF PANEL

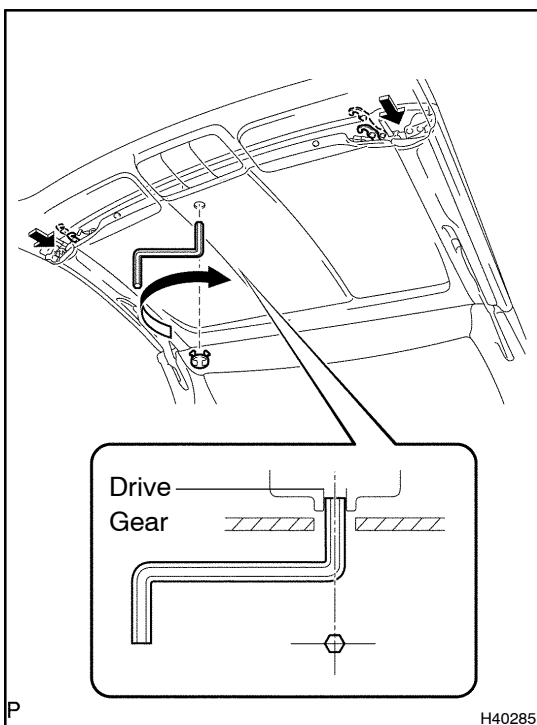
- (a) Put each of your hands on the roof panel and the back window and slowly close the roof panel.
- (b) Check that the guide pin on the edge of the roof panel is aligned with the catch on the pillar.



- (c) Strongly push down the roof panel and the back window near the parting line.

NOTICE:

- The operation should be performed by 2 persons.
- When closing, move it at almost same angles on the right and left.



10. LOCK REMOVABLE ROOF LOCK

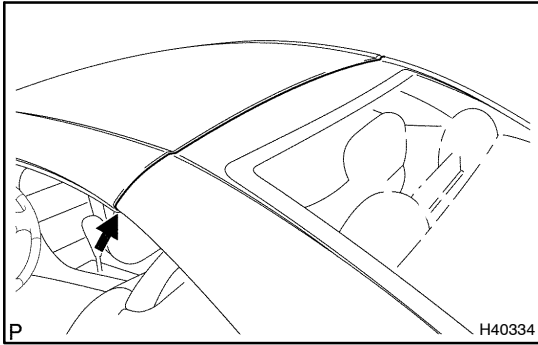
- (a) Insert the hexagon wrench tip into the driver gear shaft in the roof head lining and turn it about one turn clockwise as viewed from the bottom.

NOTICE:

Do not apply excessive force to the drive gear shaft after the rotation stops.

HINT:

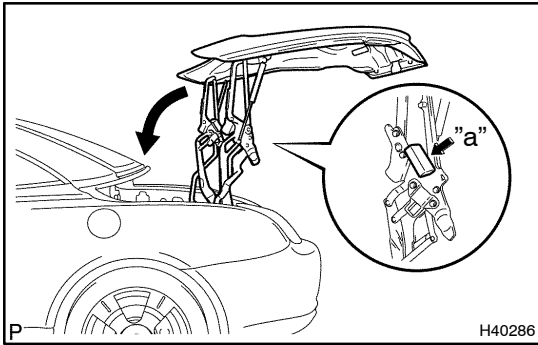
Approx. one full rotation makes it lock.



(b) Push up the roof panel and the back window near the parting line and check that they are locked.

NOTICE:

The operation should be performed by 2 persons.

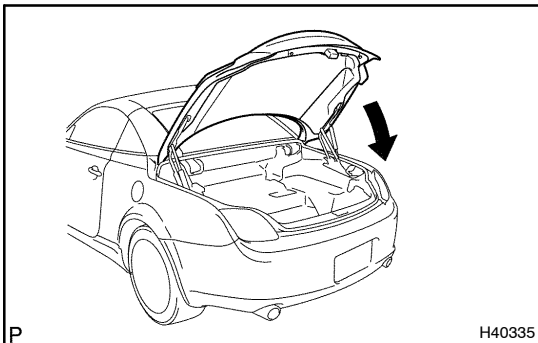


11. CLOSE LUGGAGE COMPARTMENT DOOR FRONT

- (a) Place your hands on part "a" of the luggage link and slowly apply force downward to lower the luggage link.
- (b) After moving it to the lowermost position, press it hard again.

NOTICE:

- **When closing, move it at almost same angles on the right and left.**
- **Lowering the luggage link requires large force initially.**



12. CLOSE LUGGAGE COMPARTMENT DOOR REAR

- (a) Close the luggage panel as usual.

13. CLOSE QUARTER WINDOW

- (a) Turn the ignition switch ON.
- (b) Turn the luggage opener main switch from ON to OFF.
- (c) Push the roof opener switch on the "OPEN" side twice slowly within 10 seconds after step (b).
- (d) Hold down the same switch on the "CLOSE" side keep pressing within 10 seconds after step (c).

HINT:

If step (d) is not performed correctly, restart the operation from step (b).

