

# Simple Outdoor Lounge Chair

[View \(/woodworking-projects/simple-outdoor-lounge-chair\)](/woodworking-projects/simple-outdoor-lounge-chair)

[Edit \(/node/277/edit\)](/node/277/edit)

[Delete \(/node/277/delete\)](/node/277/delete)

[Revisions \(/node/277/revisions\)](/node/277/revisions)

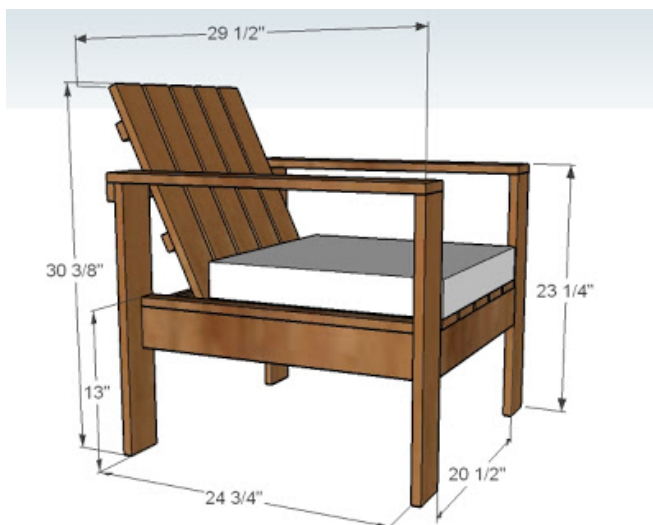
SUBMITTED BY ANA WHITE (/USER/1) ON WED, 06/12/2019 - 13:18



Difficulty: **Intermediate**

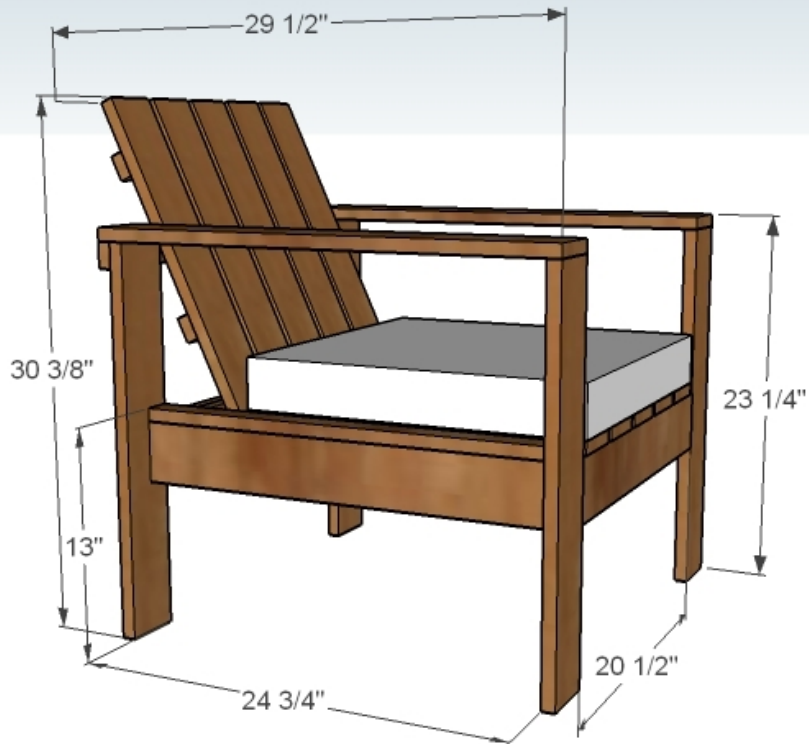
A stylish lounge chair for your outdoor space! Just needs bold paint and classic stain, and a comfy pillow. Large armrests, easy to build. Special thanks to Dowlerg for reader submitted photo.

**Collections:** [Simple Modern Outdoor Collection \(/woodworking-projects/collections/simple-modern-outdoor-collection\)](/woodworking-projects/collections/simple-modern-outdoor-collection)



([http://2.bp.blogspot.com/\\_LodZ9etRvTw/S94xbDqNfOI/AAAAAAAAAGpk/bCZzHb9Smo8/s1600/knockoffwood+lounge+chair+12.jpg](http://2.bp.blogspot.com/_LodZ9etRvTw/S94xbDqNfOI/AAAAAAAAAGpk/bCZzHb9Smo8/s1600/knockoffwood+lounge+chair+12.jpg))

**Dimensions**



Overall Dimensions are shown above. Composition is wood boards.

## Preparation

### SHOPPING LIST

6- 1×4 8' Length

2- 1×2, 8' Length

1 – 2×2, 8' Length or scrap 24" long

1 1/4" Screws

2" Screws

2 1/2" Screws

Wood Glue

Paintable Silicone or wood filler Finishing Supplies

### COMMON MATERIALS

Elmer's Wood Glue (<http://elmers.com/diy>)

Elmer's Wood Filler (<http://elmers.com/products/wood-filler-and-other-repair?filters=construction#>)

120 grit sandpaper  
primer  
wood conditioner  
paint  
paint brush

## CUT LIST

4 – 1×4 @ 22 1/2" (Legs)

2 – 1×4 @ 27" (Arm Rests)

1 – 1×2 @ 27 1/2" (Back Tie In, for a stronger chair, you could use a 1×4 here)

3- 1×4 @ 22" (Seat Frame Supports)

2 – 1×4 @ 24 3/4" (Seat Frame Sides)

2- 1×4 @ 20 1/2" (Front and Back Seat Aprons)

2 – 1×2 @ 24 3/4" (Seat Side Trim Pieces)

5 – 1×4 @ 20" (Seat Boards)

2- 1×2 @ 19 1/2" (Seat Back Back Supports)

1 – 2×2 @ 22" (Seat Back Bottom Support)

5 – 1×4 @ 21 1/2" (Seat Back Boards)

## TOOLS



Tape Measure



Speed Square



Pencil



Safety Glasses



Ear Protection



Drill



Circular Saw



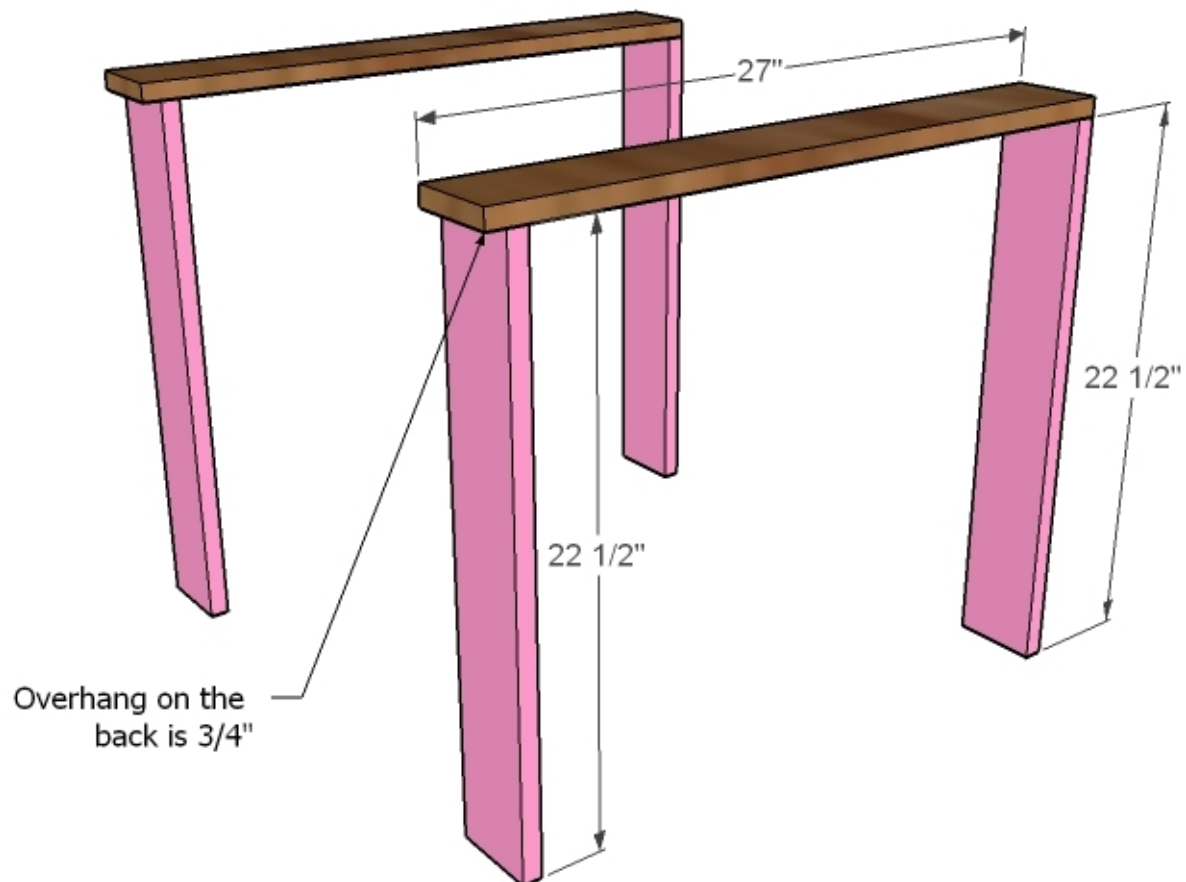
Level

## GENERAL INSTRUCTIONS

Make sure you are working on a clean level surface with straight boards. Pre-drill and countersink all of your screws. Use glue. Check for square after each step. Use proper safety equipment and techniques.

## Instructions

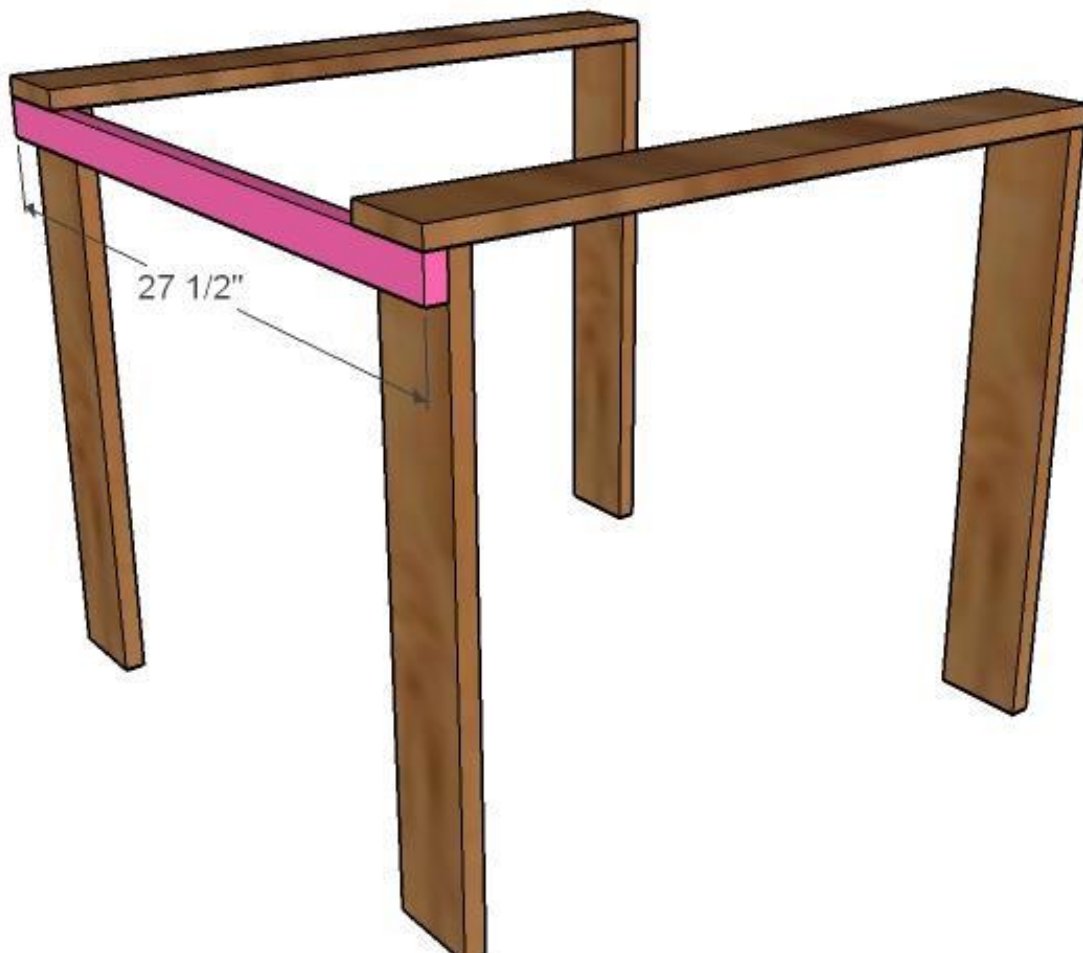
### STEP 1



(<https://ana-white.com/sites/default/files/knockoffwood%20lounge%20chair%202.jpg>)

Legs and Arm Rests Screw the arm rests to the legs using 2" screws and wood glue. Leave a 3/4" gap on the backs of the arm rests as shown above.

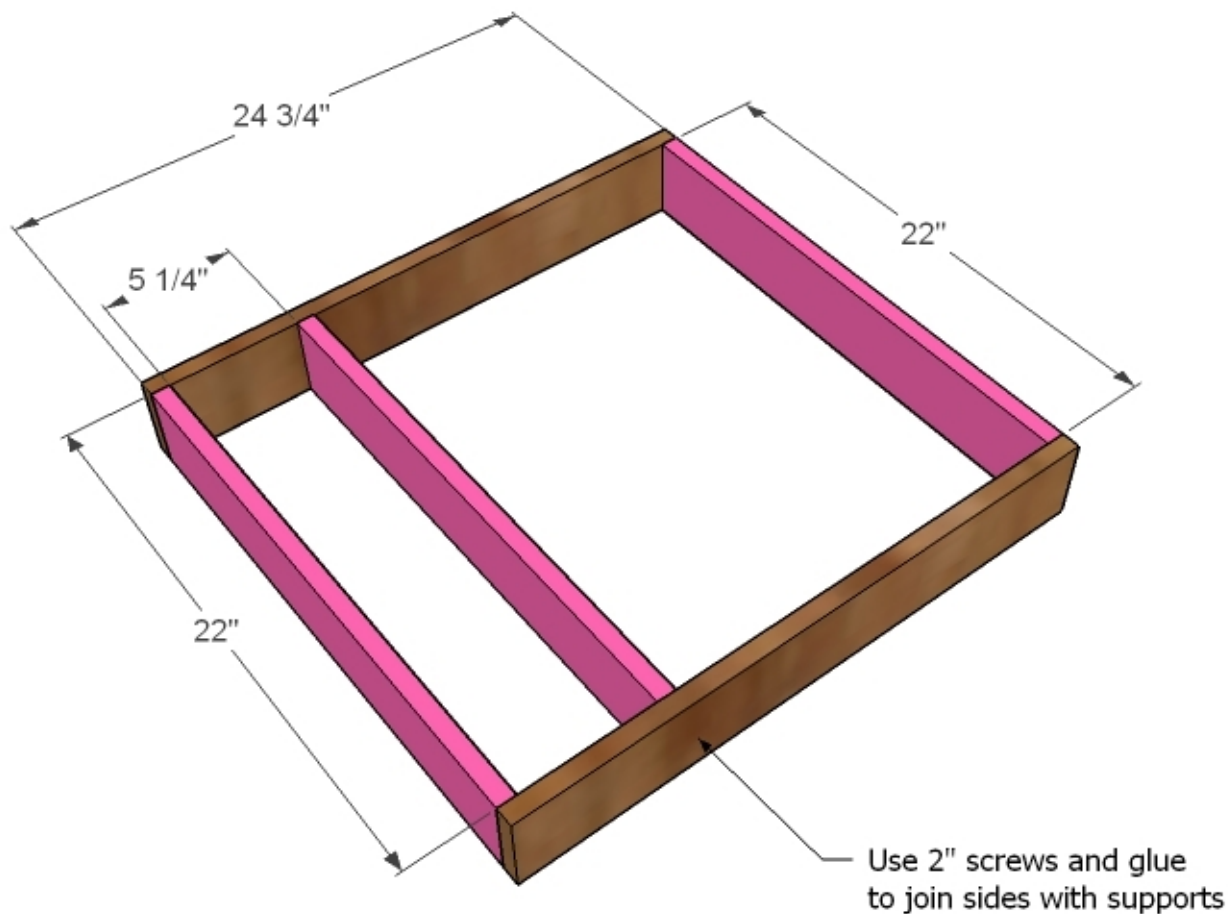
## STEP 2



(<https://ana-white.com/sites/default/files/knockoffwood%20loung%20chair%203.jpg>)

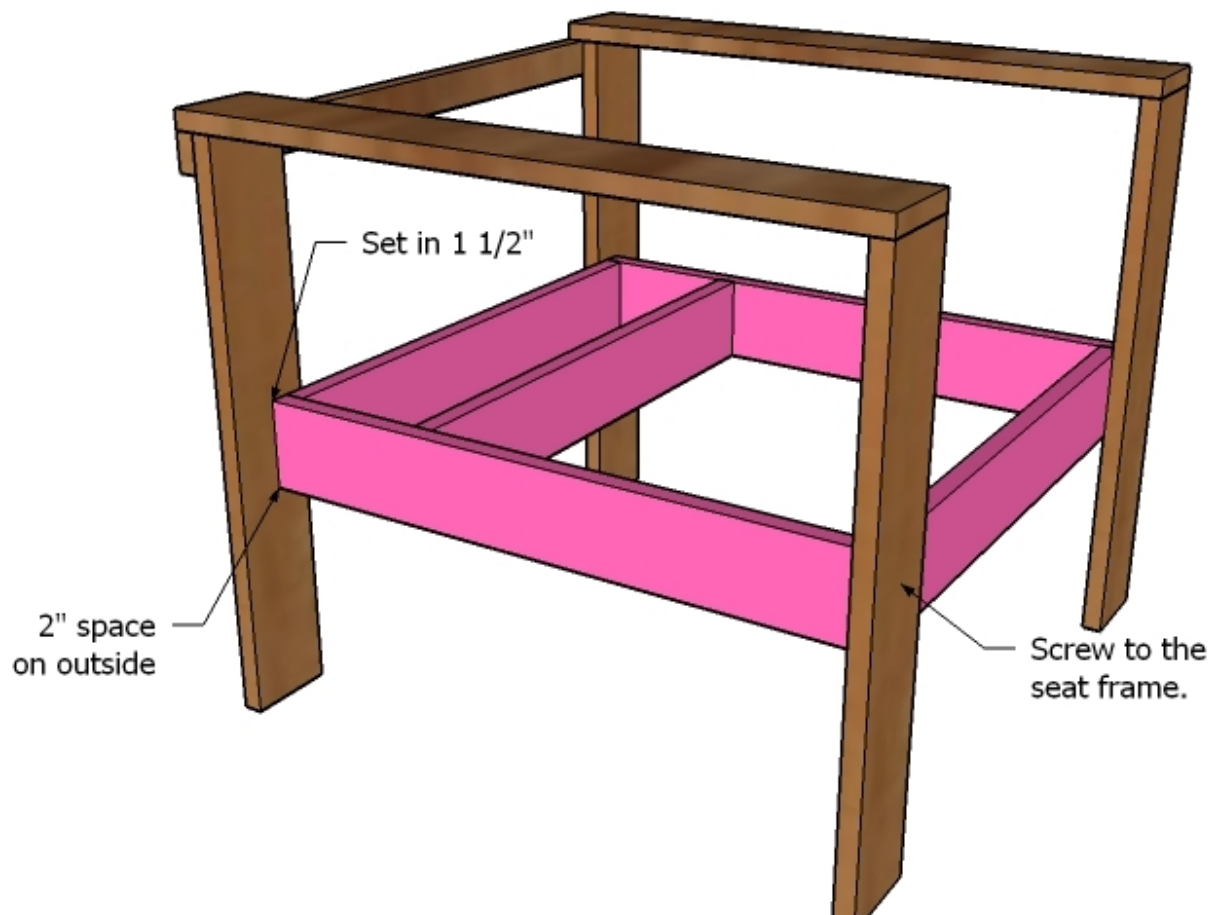
Back Tie In Remember the overhang from step 1? Well, your back tie in should fit nicely in the space. Make sure you screw the arm rest to the back tie in and the tie in to the back legs (you will need to use 1 1/4" screws). Glue. UPDATED: For lesser of an incline, place this back support to the inside of the legs instead of to the outside. Some of our readers have said that this makes the chair more comfortable.

**STEP 3**



(<https://ana-white.com/sites/default/files/knockoffwood%20loung%20chair%204.jpg>)

STEP 4

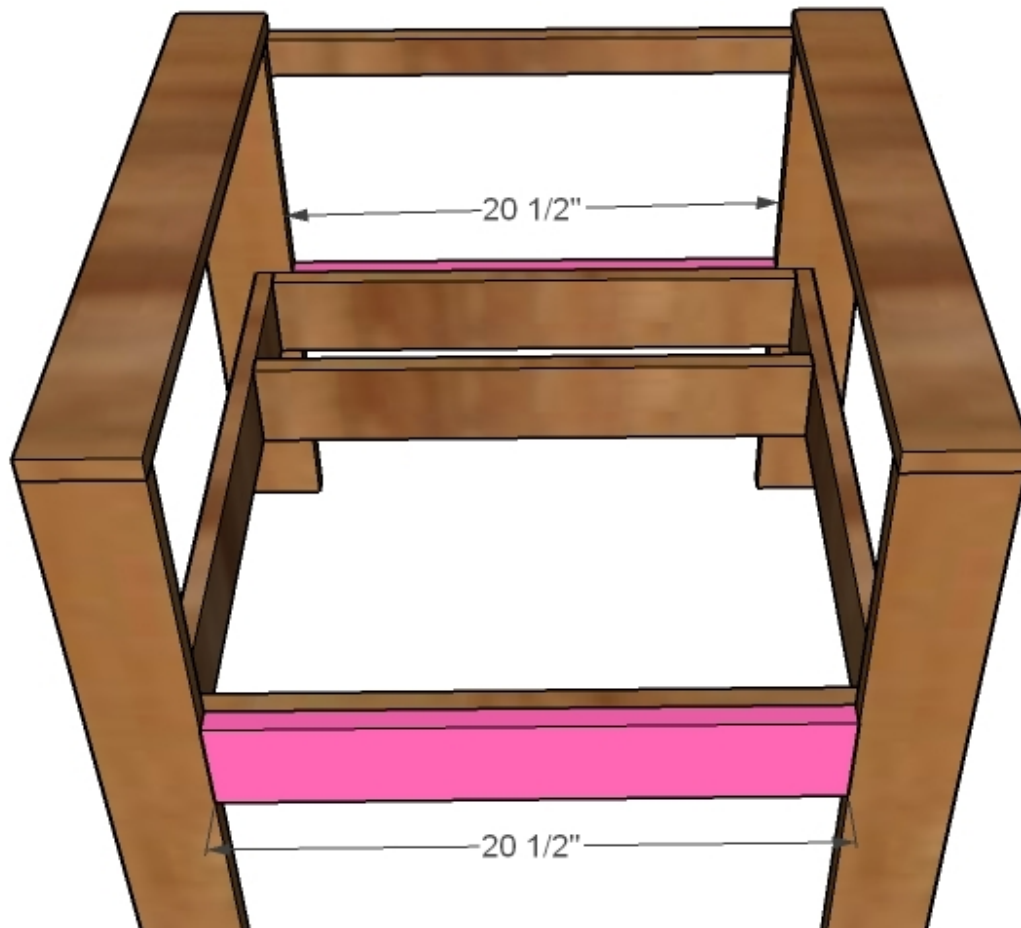


(<https://ana-white.com/sites/default/files/knockoffwood%20loung%20chair%205.jpg>)

Seat Frame and Sides Mark all of the legs 12 1/4" from up from the bottom of the legs. This will be the mark where you seat frame sits on the legs. Then screw your seat frame to the legs, as shown above. Use a level to make sure your seat frame is screwed on level to the legs. Use 3 screws per leg.

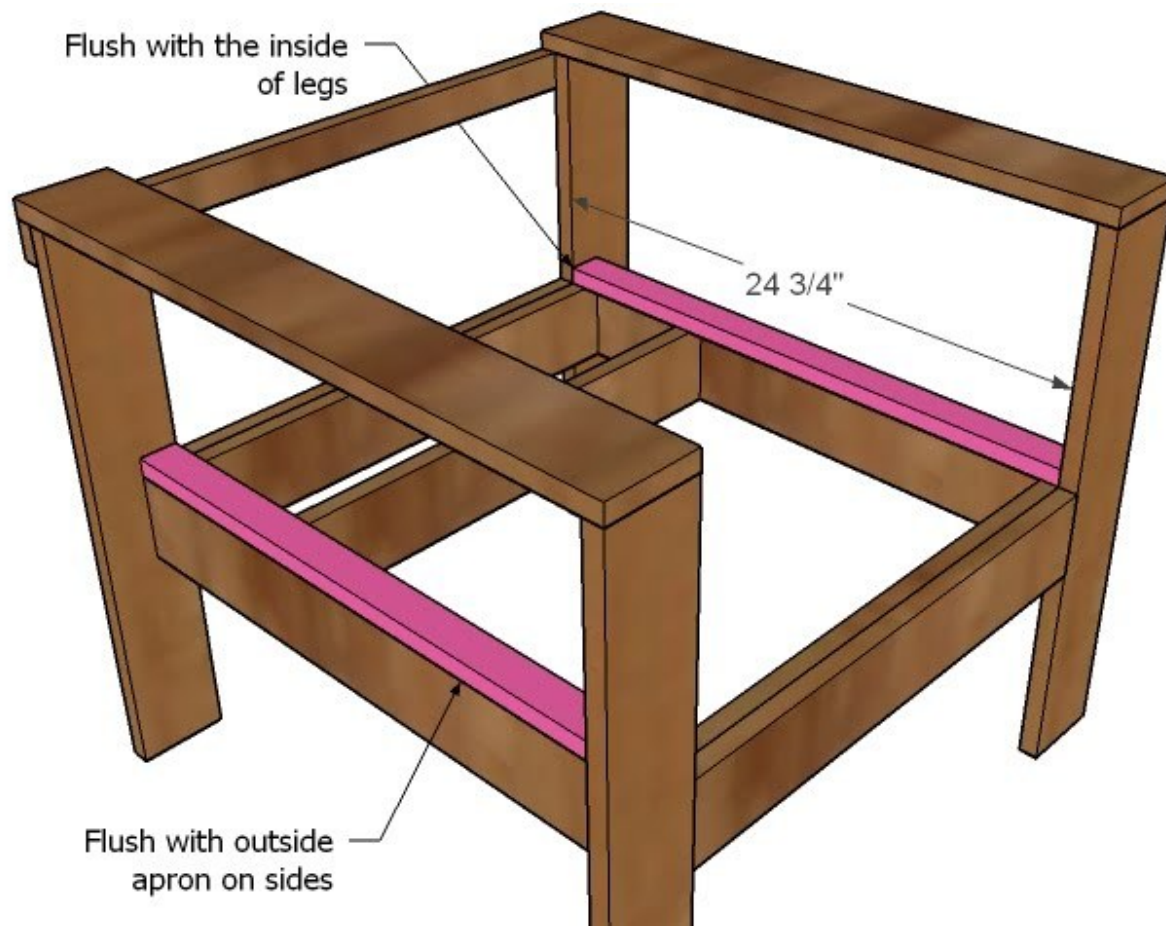


STEP 5



(<https://ana-white.com/sites/default/files/knockoffwood%20loungel%20chair%206.jpg>)

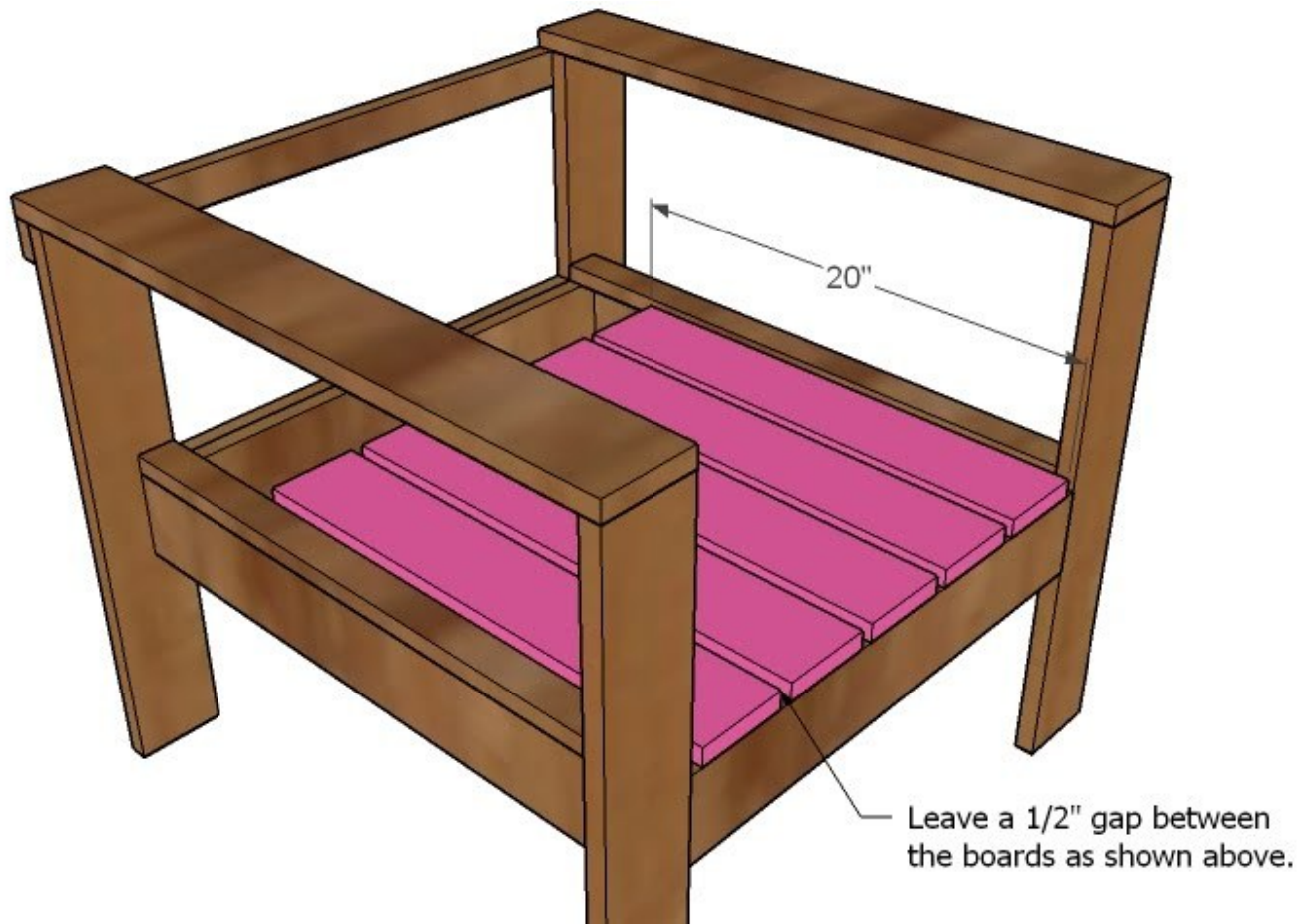
STEP 6



(<https://ana-white.com/sites/default/files/knockoffwood%20lounge%20chair%207.jpg>)

eat Top, Sides Fasten the seat top, sides, to the tops as shown above. Make sure you fasten to the seat supports and the sides as shown above. This will stiffen up the chair considerably.

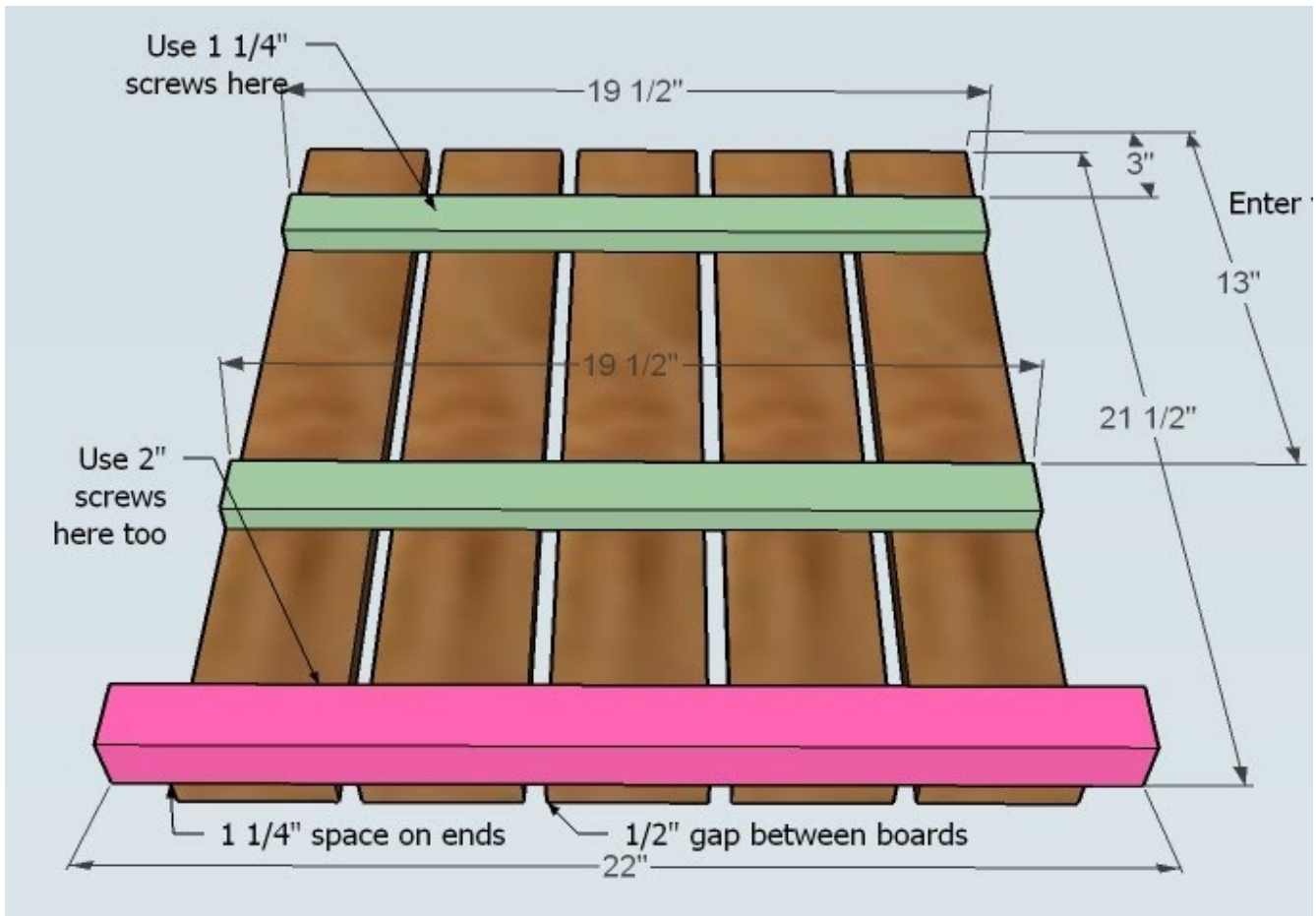
STEP 7



(<https://ana-white.com/sites/default/files/knockoffwood%20lounge%20chair%208.jpg>)

Seat Boards Fasten the seat boards to the supports, leaving a 1/2" gap between the boards, as shown above. Screw down. Front is flush with the front apron.

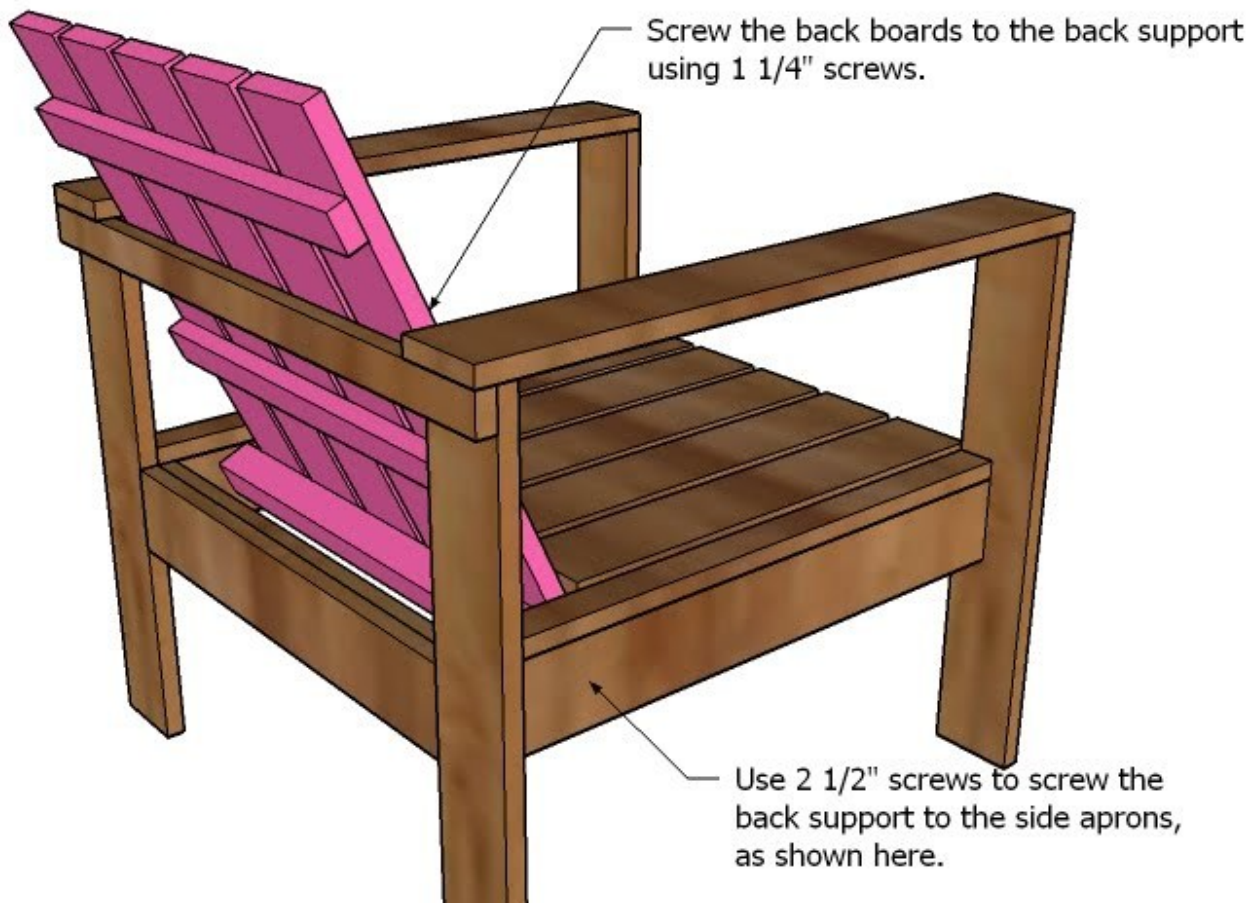
STEP 8



(<https://ana-white.com/sites/default/files/knockoffwood%20lounge%20chair%209%20%281%29.jpg>)

Build the back, as shown above.

STEP 9



(<https://ana-white.com/sites/default/files/knockoffwood%20lounge%20chair%2010.jpg>)

Putting the Back in Place Place the back into the back of the seat, as shown above. Start by screwing the 2x2 to the aprons, as shown above. Then fasten the seat back boards to the 1x2 seat back support, as shown above.

## STEP 10



(<https://ana-white.com/sites/default/files/knockoffwood%20loung%20chair%202011.jpg>)

Finishing Fill holes with water resistant filler (I like to use paintable silicone) and finish as desired. The chair will fit a standard 20×20 cushion, or similar sized cushion. Depending on the response to this plan, I will post loveseat and couch plans as well.

## Help Improve This Plan

We apologize if there was an error in this plan. Please help us out and report any errors here.



### **Welcome, I'm Ana White**

For 11 years, I've been building and sharing smart, stylish diy projects.

- Subscribe ([https://www.youtube.com/user/knockoffwood?sub\\_confirmation=1](https://www.youtube.com/user/knockoffwood?sub_confirmation=1) target=) weekly Youtube video
- Subscribe for email updates ([https://app.getresponse.com/site2/ana-white?u=w89hP&webforms\\_id=hjODS](https://app.getresponse.com/site2/ana-white?u=w89hP&webforms_id=hjODS))
- I'm on Instagram (<https://www.instagram.com/anawhitediy/>), Pinterest (<https://www.pinterest.com/anawhitediy/>) and Facebook (<https://www.facebook.com/knockoffwood>)