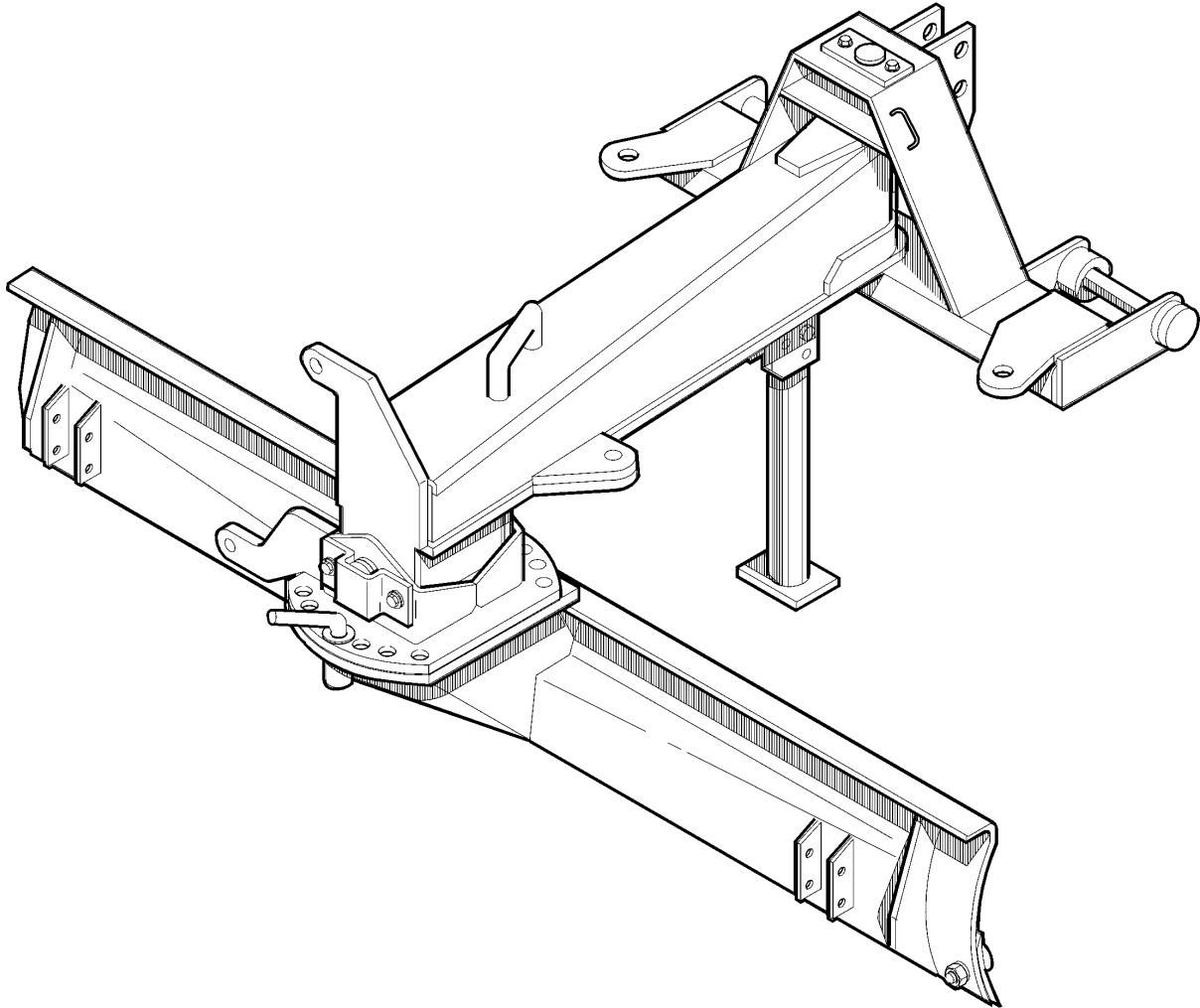


# Rear Blades

---

## RB25, RB35, RB45 & RB55



10351

### 301-206P Parts Manual



Read the Operator's Manual entirely. When you see this symbol, the subsequent instructions and warnings are serious - follow without exception. Your life and the lives of others depend on it!

© Copyright 2020 Printed 11/25/20

Cover photo may show optional equipment not supplied with standard unit.





# Table of Contents

**Section 1: Introduction.....4**  
 Using This Manual.....4  
 Manual Replacement Information.....4  
 Manual Revisions.....4  
 Touch-up Paint.....4  
 Hardware Legend.....5  
 Replacement Hardware.....5  
 Serial Numbers.....5  
 Part Number Service Coding.....5

## RB25 SERIES

**Section 2: Frames.....6**  
 Frame and Blade.....6  
**Section 3: Decals.....8**  
 Decal Placement.....8  
 Touch-up Paints - LP.....10  
**Section 4: Options & Accessories.....12**  
 Gauge Wheel.....12  
 Hydraulic Cylinder (810-162C) Cross.....14  
 Hydraulic Cylinder (810-162C) Midway.....16  
 Hydraulic Cylinder (810-162C) Red Lion.....18  
 Side Plates.....20  
 Skid Shoes.....22

## RB35 SERIES

**Section 2: Frames.....24**  
 Frame and Blade.....24  
**Section 3: Decals.....27**  
 Decal Placement.....28  
 Touch-up Paints - LP.....30  
**Section 4: Options & Accessories.....32**  
 Gauge Wheel.....32  
 Hydraulic Cylinder (810-162C) Cross.....34  
 Hydraulic Cylinder (810-162C) Midway.....36  
 Hydraulic Cylinder (810-162C) Red Lion.....38  
 Side Plates.....40  
 Skid Shoes.....42

## RB45 SERIES

**Section 2: Frames.....44**  
 Frame and Blade.....44  
 Hydraulic Tilt and Off-Set.....46  
 Manual Tilt and Off-Set.....48  
**Section 3: Hydraulic Cylinders.....50**  
 Hydraulic Cylinder (810-111C) Cross.....50  
 Hydraulic Cylinder (810-111C) Midway.....52  
 Hydraulic Cylinder (810-162C) Cross.....54  
 Hydraulic Cylinder (810-162C) Midway.....56

Hydraulic Cylinder (810-162C) Red Lion.....58  
**Section 4: Decals.....60**  
 Decal Placement.....60  
 Touch-up Paints - LP.....62  
**Section 5: Options & Accessories.....64**  
 Skid Shoes.....64

## RB55 SERIES

**Section 2: Frames.....66**  
 Frame and Blade.....66  
 Tilt and Off-Set Hydraulic.....70  
 Tilt and Off-Set Manual.....72  
**Section 3: Hydraulic Cylinders.....74**  
 Hydraulic Cylinder (810-111C) Cross.....74  
 Hydraulic Cylinder (810-111C) Midway.....76  
 Hydraulic Cylinder (810-162C) Cross.....78  
 Hydraulic Cylinder (810-162C) Midway.....80  
 Hydraulic Cylinder (810-162C) Red Lion.....82  
 Hydraulic Cylinder (Rephasing) (810-035C).....84  
**Section 4: Decals.....86**  
 Decal Placement.....86  
 Touch-up Paints - LP.....88  
**Section 5: Options & Accessories.....90**  
 Skid Shoes.....90

**Part Number Index.....92**

© Copyright 2020. All rights reserved.

Land Pride provides this publication "as is" without warranty of any kind, either expressed or implied. While every precaution has been taken in the preparation of this manual, Land Pride assumes no responsibility for errors or omissions. Neither is any liability assumed for damages resulting from the use of the information contained herein. Land Pride reserves the right to revise and improve its products as it sees fit. This publication describes the state of this product at the time of its publication, and may not reflect the product in the future. The illustrations in this manual are not intended for safe and proper assembly or disassembly of equipment. The illustrations are intended for ordering parts only.

Land Pride is registered trademark.

All other brands and product names are trademarks or registered trademarks of their respective holders.

Printed in the United States of America.



# Alphabetized Table of Contents

## RB25 SERIES

**D**  
Decal Placement.....8

**F**  
Frame and Blade.....6

**G**  
Gauge Wheel.....12

**H**  
Hydraulic Cylinder (810-162C) Cross.....14  
Hydraulic Cylinder (810-162C) Midway.....16  
Hydraulic Cylinder (810-162C) Red Lion.....18

**S**  
Side Plates.....20  
Skid Shoes.....22

**T**  
Touch-up Paints - LP.....10

## RB35 SERIES

**D**  
Decal Placement.....28

**F**  
Frame and Blade.....24

**G**  
Gauge Wheel.....32

**H**  
Hydraulic Cylinder (810-162C) Cross.....34  
Hydraulic Cylinder (810-162C) Midway.....36  
Hydraulic Cylinder (810-162C) Red Lion.....38

**S**  
Side Plates.....40  
Skid Shoes.....42

**T**  
Touch-up Paints - LP.....30

## RB45 SERIES

**D**  
Decal Placement.....60

**F**  
Frame and Blade.....44

## H

Hydraulic Cylinder (810-111C) Cross.....50  
Hydraulic Cylinder (810-111C) Midway.....52  
Hydraulic Cylinder (810-162C) Cross.....54  
Hydraulic Cylinder (810-162C) Midway.....56  
Hydraulic Cylinder (810-162C) Red Lion.....58  
Hydraulic Tilt and Off-Set.....46

## M

Manual Tilt and Off-Set.....48

## S

Skid Shoes.....64

## T

Touch-up Paints - LP.....62

## RB55 SERIES

## D

Decal Placement.....86

## F

Frame and Blade.....66

## H

Hydraulic Cylinder (810-111C) Cross.....74  
Hydraulic Cylinder (810-111C) Midway.....76  
Hydraulic Cylinder (810-162C) Cross.....78  
Hydraulic Cylinder (810-162C) Midway.....80  
Hydraulic Cylinder (810-162C) Red Lion.....82  
Hydraulic Cylinder (Rephasing) (810-035C).....84

## S

Skid Shoes.....90

## T

Tilt and Off-Set Hydraulic.....70  
Tilt and Off-Set Manual.....72  
Touch-up Paints - LP.....88

# General Information

## Using This Manual

This manual is divided into sections. The first section contains General Information. The remaining sections divide the machine into segments (i.e. Frames, Drives, Hydraulics, etc.) which illustrate and list all parts. A Parts Number Index is located at the back of the book.

The Land Pride parts in this manual are specially designed for this machine and should be replaced with Land Pride parts only.

The information in this manual is current at time of printing. Some parts may change to assure top performance.

Right-hand and left-hand as used in this manual are determined by facing the direction the machine will travel while in use.

Below is an example of two facing pages from a parts manual. Familiarize yourself with the type of information contained on these pages.

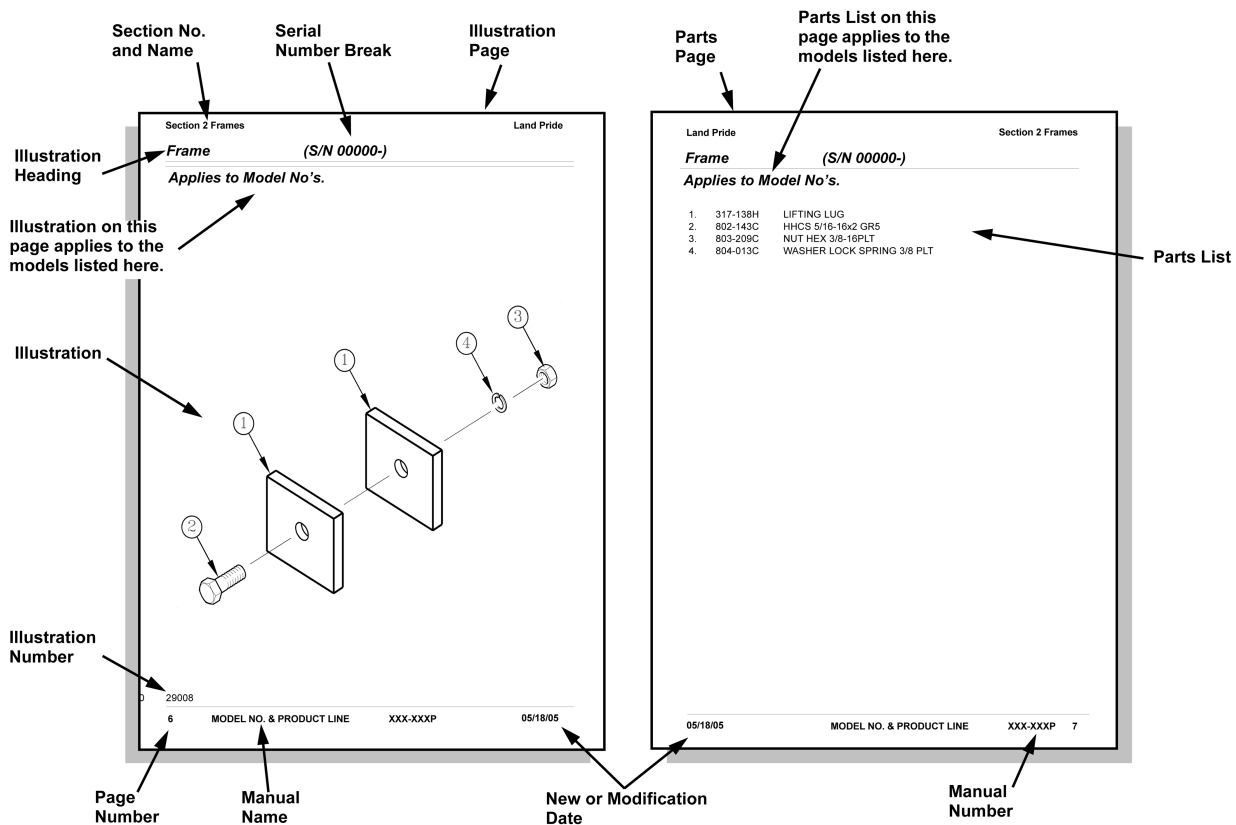
## Manual Replacement Information

Replacement manuals are available. Refer to our website at [www.landpride.com](http://www.landpride.com) or e-mail us at [lit@landpride.com](mailto:lit@landpride.com) for additional information. Our website continues to provide the most up-to-date manuals available.

## Touch-up Paint

Repaint parts where paint is worn or scratched to prevent rust. Aerosol cans and touch-up bottles with brush applicator are available through your local dealer. Also available are quart and gallon size paints. Add QT or GL to end of the Aerosol P/N.

Land Pride color descriptions and part numbers are listed on the "Land Pride Touch-up Paints" page in the "Decals" section of this book. Color options vary by product.



## General Information

### Hardware Legend

<b>AR</b>	As Required
<b>BLADE</b>	Blade Bolt
<b>C</b>	Cap Screw
<b>CP</b>	Cotter Pin
<b>CPHSSS</b>	Cup Point Hex Socket Set Screw
<b>CPSHSS</b>	Cup Point Square Head Set Screw
<b>CPSQHSS</b>	Cup Point Square Head Set Screw
<b>CRFCHMS3</b>	Cross Recess Flat Countersunk Head Machine Screw
<b>CRPHMS</b>	Cross Recess Pan Head Machine Screw
<b>CRPHTF</b>	Cross Recess Pan Head Thread Forming
<b>CRRHMS</b>	Cross Recess Round Head Machine Screw
<b>CRTHMS</b>	Cross Recess Truss Head Machine Screw
<b>CSNB</b>	Countersunk Square Neck Bolt
<b>FHMS</b>	Flat Head Machine Screw
<b>FTC</b>	Full Thread Cap Screw
<b>H</b>	Hex Nut
<b>HCLN</b>	Hex Center Lock Nut
<b>HFLCS</b>	Hex Flange Lock Cap Screw
<b>HFS</b>	Hex Flange Screw
<b>HFSLN</b>	Hex Flange Serrated Lock Nut
<b>HFSS</b>	Hex Flange Serrated Screw
<b>HHCS</b>	Hex Head Cap Screw or Metric Bolt
<b>HSBHCS</b>	Hex Socket Button Head Cap Screw
<b>HSFCHCS</b>	Hex Socket Flat Countersunk Head Cap Screw
<b>HSHCS</b>	Hex Socket Head Cap Screw
<b>HSSS</b>	Hex Socket Head Screw
<b>HTLN</b>	Hex Top Lock Nut
<b>HWHCS</b>	Hex Washer Head Cap Screw

<b>HWHMS</b>	Hex Washer Head Machine Screw
<b>HXBHCS</b>	Hex Socket Button Head Cap Screw
<b>J</b>	Hex Jam Nut
<b>JIC</b>	37 Degree Tapered Thread
<b>L</b>	Helical Spring Lock Washer
<b>LUG</b>	Lug Bolt
<b>NFC</b>	National Fine Cap Screw
<b>NPSM</b>	National Pipe Straight Mechanical
<b>NPTF</b>	National Pipe Taper Fuel
<b>P</b>	Wide Plain Washer
<b>PHMS</b>	Pan Head Machine Screw
<b>PLOW</b>	Plow Bolt
<b>RHMS</b>	Round Head Machine Screw
<b>RHSNB</b>	Round Head Square Neck Bolt
<b>SCREW LEVELING</b>	Leveling Screw
<b>SCREW THUMB</b>	Thumb Screw
<b>SCREW WELD</b>	Weld Screw
<b>SFCHMS</b>	Slotted Flat Countersunk Head Machine Screw
<b>SFHMS</b>	Slotted Fillister Head Machine Screw
<b>SP</b>	Special
<b>SP SCREW</b>	Special Screw
<b>SQHSS</b>	Square Head Set Screw
<b>SRHMS</b>	Slotted Round Head Machine Screw
<b>SSS</b>	Socket Set Screw
<b>STCS</b>	Self Tapping Cap Screw
<b>STHMS</b>	Slotted Truss Head Machine Screw
<b>WHEEL</b>	Wheel Studs and Hub Long Bolts
<b>WING</b>	Wing Bolt

### Replacement Hardware

The **Hardware Legend** above lists hardware abbreviations used in the parts list. All bolts and nuts are Grade 5 unless otherwise noted. The use of improper grades of hardware can result in personal injury, damage to equipment, or loss of property.

### Colored Replacement Parts

Land Pride offers replacement parts in factory standard colors and also on select models in Green, Orange, Red and Blue. Because of the variety of colors available, special attention must be given to the part number to prevent ordering the wrong replacement part.

A suffix number corresponding to one of the colors below must be added at the end of Land Pride's part number when ordering a replacement part with that color.

**81 . . . . . Green      83 . . . . . Red**  
**82 . . . . . Orange    84 . . . . . Blue**

For example, if you are ordering a replacement part with part number 555-555C and the part you need is red, then add the suffix 83 to the end of the number to make the part number read 555-555C83. Parts ordered without a suffix number will be supplied in factory standard colors.

### Black Replacement Parts

Some parts are factory standard black and some must be special ordered black. If your part is special ordered black, a second part number with the additional suffix number 85 on the end will be available. In this situation you must order that part with the suffix number for it to be black. Parts that are factory standard black will not have the suffix number.

### Part Number Service Coding

Within the parts list some part numbers are coded for revisions and interchangeability. See notations in revision column.

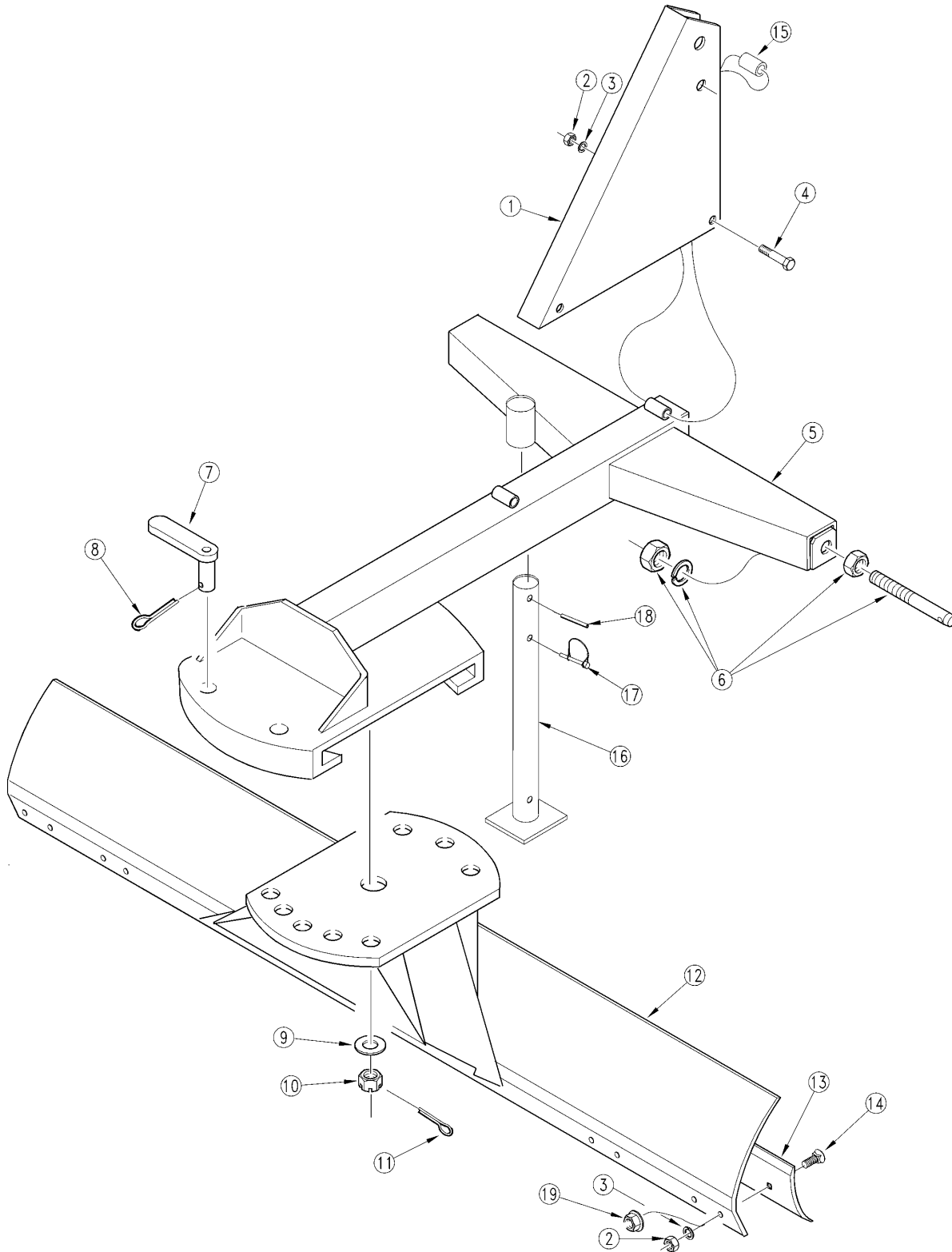
### Serial Numbers

Always use the serial and model number when ordering parts. Refer to the Operator's Manual for serial number plate location.

- (S/N 20001+)                      Includes serial numbers 20001 and above (to the latest number)
- (S/N 10001 to 20000)           Includes serial numbers between and including 10001 and 20000
- (S/N 10000-)                      Includes serial numbers 10000 and below (to the earliest number)

## Frame and Blade

Applies to RB2572, RB2584, RB2596



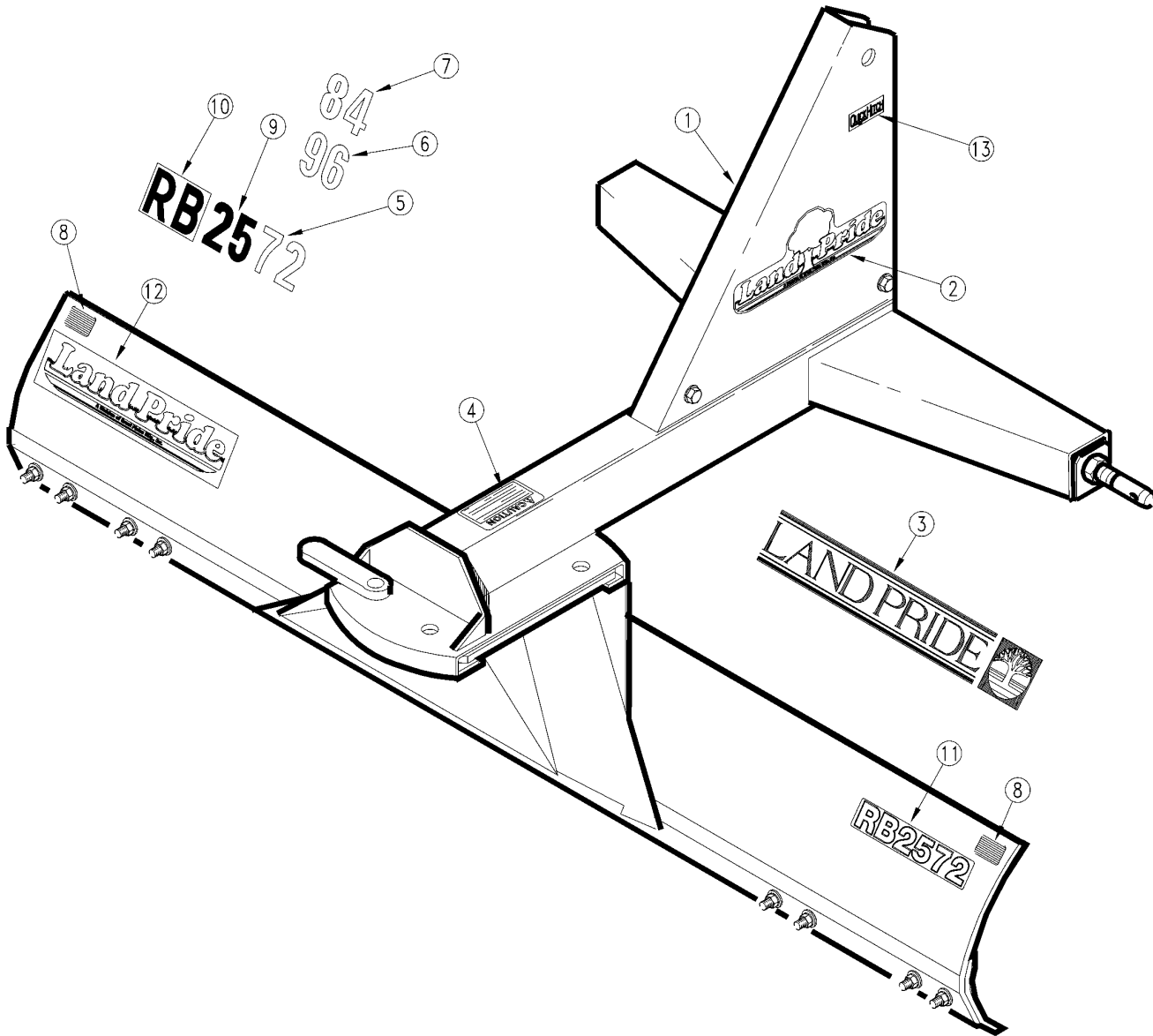
10342

**Frame and Blade****Applies to RB2572, RB2584, RB2596**

Ref	Part No.	Part Description	Comments	Revision
	Dwg 10342	Drawing Image Number		
	300-066A	25 SERIES FRAME ASSEMBLY	Includes one of items 1; 5; 7 through 11 & part no. 300-113B.	
	301-015A	25 & 35 SERIES BLADE ASSY - 6'	Includes one of items 12 part no. 301-016H; 19 part no. 820-043C; & eight of items 2; 3 & 14	
	301-017A	25 & 35 SERIES BLADE ASSY - 7'	Includes one of items 12 part no. 301-018H; 19 part no. 820-046C & nine of items 2; 3 & 14	
	301-019A	25 & 35 SERIES BLADE ASSY - 8'	Includes one of items 12 part no. 301-020H; 19 part no. 820-035C; & ten of items 2; 3 & 14.	
	300-113B	25RB & RAKE HARDWARE BAG *	Includes two of items 2; 3; 4 & 6	
1.	300-196D	25 SERIES UPPER HITCH		Rev. 2
1.	300-196D82	25 SERIES UPPER HITCH ORANGE		
1.	300-062H	RPBY 300-196D		Rev 1; Use up stock
2.	803-021C	NUT HEX 5/8-11 PLT	Replace w/ #19	
3.	804-022C	WASHER LOCK SPRING 5/8 PLT	Replace w/ #19	
4.	802-162C	HHCS 5/8-11X3 1/2 GR5		
5.	300-061H	25 SERIES BLADE & RAKE FRAME	Obsolete	
5.	300-061H82	25 BLADE/RAKE FRAME ORANGE		
6.	805-111C	PIN DRAW 7/8 X 5		
7.	805-203C	PIN 1 1/8OD X2 1/8 USBL W/HNDL		Rev. 2
7.	300-013H	RPBY 805-203C		Rev 1; Use up stock
8.	805-032C	PIN HAIR COTTER .148 WIRE		
9.	804-028C	WASHER FLAT 1 USS		
10.	803-095C	NUT HEX SLOTTED 1-14		
11.	805-017C	PIN COTTER 3/16 X 1 3/4 PLT		
12.	301-316H	6' -25 SERIES BLADE WELDMENT	S/N 633207+	
12.	301-016H	OB RPBY 301-316H	S/N 633206-	
12.	301-317H	7' -25 SERIES BLADE WELDMENT	S/N 633207+	
12.	301-018H	OB RPBY 301-317H	S/N 633206-	
12.	301-318H	8' -25 SERIES BLADE WELDMENT	S/N 633207+	
12.	301-020H	OB RPBY 301-318H	S/N 633206-	
13.	820-043C	GRADER BLADE 1/2 X 6 X 71 1/2		
13.	820-046C	GRADER BLADE 1/2 X 6 X 83 1/2		
13.	820-035C	GRADER BLADE 1/2 X 6 X 95 1/2		
14.	802-206C	PLOW 5/8-11X1 3/4 GR5		
15.	308-339D	FLOATING TOP LINK SPACER TUBE	Optional Quick Hitch Spacer	
16.	300-171H	SUPPORT STAND LR & RB35/25/15	S/N 476724+	
17.	805-065C	PIN WIRE RETAINING 1/4 X 1 3/4	S/N 476724+	
18.	805-161C	PIN ROLL 3/8 X 1 3/4 LG PLT	S/N 476724+	
19.	803-263C	NUT HEX FLANGE LOCK 5/8-11		

## Decal Placement

Applies to RB2572, RB2584, RB2596





**Decal Placement****Applies to RB2572, RB2584, RB2596**

<b>Ref</b>	<b>Part No.</b>	<b>Part Description</b>	<b>Comments</b>	<b>Revision</b>
	Dwg 17577	Drawing Image Number		
1.	818-891C	RPBY 838-962C	(S/N 252248+) Beige Unit	Rev. 3 not compat. w/Rev. 2
1.	838-962C	DECAL LP 13" W/TREE BROWN/GOLD	Orange Unit	
1.	818-164C	LP LOGO SMALL GREEN	(S/N _____ <-> 252247)	Rev. 2
1.	818-085C	N/A	(S/N _____-) Obsolete	Rev 1; Use up stock
2.	818-891C	RPBY 838-962C	(S/N 252248+) Beige Unit	Rev. 2 not compat. w/Rev. 1
2.	838-962C	DECAL LP 13" W/TREE BROWN/GOLD	Orange Unit	
2.	818-164C	LP LOGO SMALL GREEN	(S/N 252247-)	Rev. 1
3.	818-163C	LP LOGO LARGE BUCKSKIN	(S/N 252247-)	
4.	818-202C	DECAL CAUTION FALL MBOARD/RAKE		
5.	818-109C	DECAL 72 LP - BUCKSKIN	(S/N 252247-) Obsolete	
6.	818-112C	DECAL 96 LP - BUCKSKIN	(S/N 252247-)	
7.	818-111C	DECAL 84 LP -BUCKSKIN	(S/N 252247-)	
8.	818-230C	DECAL RED REFLECTOR		
9.	818-102C	DECAL 25 SERIES LP - BUCKSKIN	(S/N 252247-)	
10.	818-726C	DECAL RB LAND PRIDE BUCKSKIN	(S/N 252247-)	
11.	818-976C	DECAL RB2572-BEIGE	(S/N 252248+)	
11.	818-977C	DECAL RB2584-BEIGE	(S/N 252248+)	
11.	818-978C	DECAL RB2596-BEIGE	(S/N 252248+)	
12.	838-966C	DECAL LANDPRIDE 22" BROWN/GOLD	(S/N _____+)	
12.	818-902C	RPBY 838-965C	(S/N 252248 to _____)	
12.	838-965C	DECAL LANDPRIDE 16" BROWN/GOLD		
13.	838-517C	DECAL QUICK HITCH SYSTEM		

***Touch-up Paints - LP***

---

Applies to RB2572, RB2584, RB2596

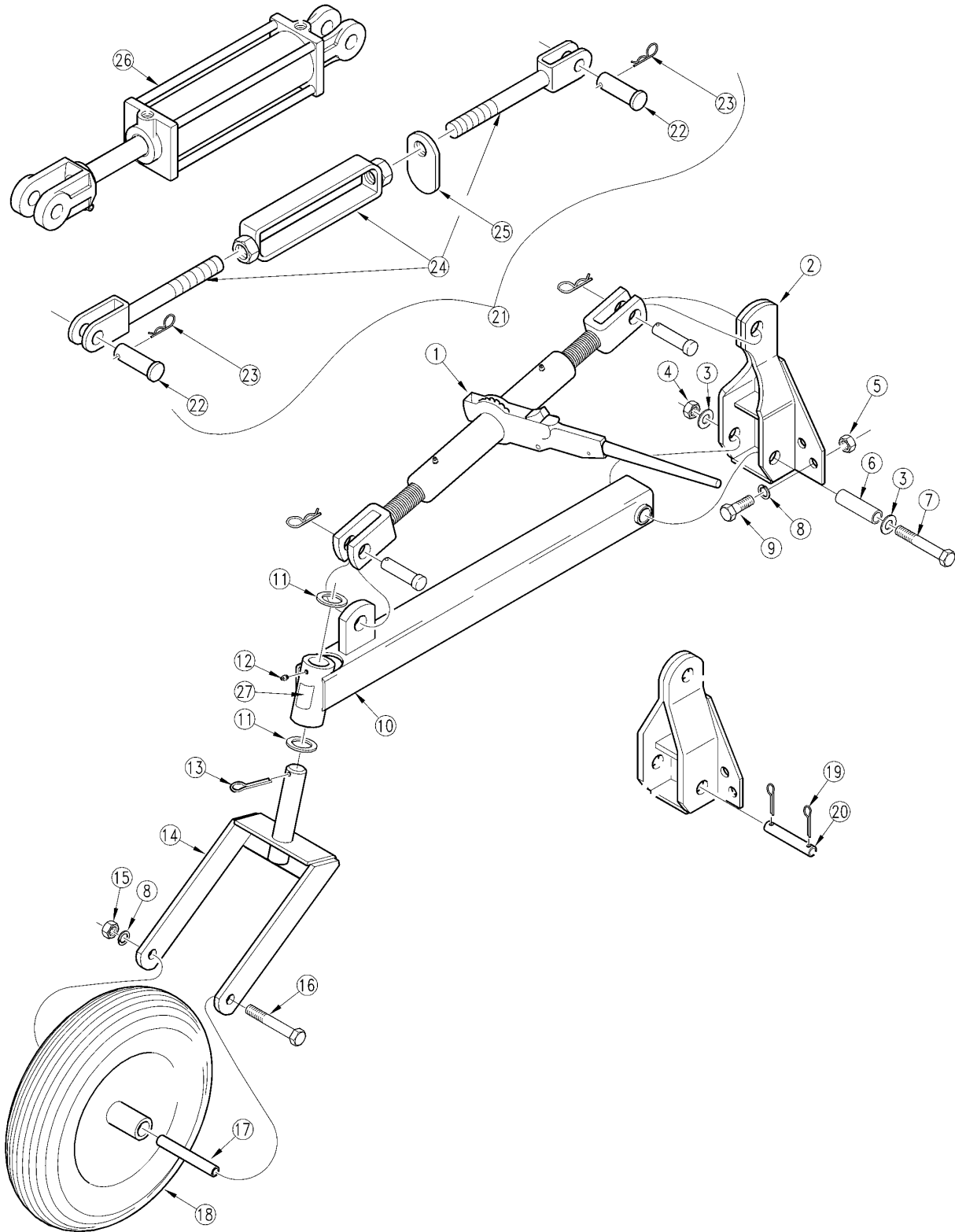
**No diagram associated with this Parts List**

***Touch-up Paints - LP*****Applies to RB2572, RB2584, RB2596**

<b>Ref</b>	<b>Part No.</b>	<b>Part Description</b>	<b>Comments</b>	<b>Revision</b>
1.	821-011C	LP BEIGE SPRAY CAN	Spray can	
1.	821-011CTU	LP BEIGE TOUCH-UP 5OZ	Touch-up bottle with brush	
1.	821-011CQT	LP BEIGE QUART	Quart can	
1.	821-011CGL	LP BEIGE GALLON	Gallon can	
2.	821-070C	GLOSS BLACK SPRAY CAN	Spray can	
2.	821-070CTU	GLOSS BLACK TOUCH-UP 5OZ	Touch-up bottle with brush	
2.	821-070CQT	GLOSS BLACK QUART	Quart can	
2.	821-070CGL	GLOSS BLACK GALLON	Gallon can	
3.	821-054C	MED. RED SPRAY TRCK/CTR	Spray can	
3.	821-054CTU	MED RED TOUCH-UP 5OZ	Touch-up bottle with brush	
3.	821-054CQT	MED RED QUART	Quart can	
3.	821-054CGL	MED RED GALLON	Gallon can	
4.	821-058C	GREEN SPRAY CUTTERS	Spray can	
4.	821-058CTU	GREEN TOUCH-UP 5OZ	Touch-up bottle with brush	
4.	821-058CQT	GREEN QUART	Quart can	
4.	821-058CGL	GREEN GALLON	Gallon can	
5.	821-066C	ORANGE SPRAY CAN	Spray can	
5.	821-066CTU	ORANGE TOUCH-UP 5OZ	Touch-up bottle with brush	
5.	821-066CQT	ORANGE QUART	Quart can	
5.	821-066CGL	ORANGE GALLON	Gallon can	
6.	821-067C	BLUE SPRAY CAN	Spray can	
6.	821-067CTU	BLUE TOUCH-UP 5OZ	Touch-up bottle with brush	
6.	821-067CQT	BLUE QUART	Quart can	
6.	821-067CGL	BLUE GALLON	Gallon can	
7.	821-080C	PAINT ALUMINUM/ZINC SPRAY CAN	Spray can	
7.	821-080CTU	PAINT ALUMINUM/ZINC TOUCH UP	Touch-up bottle with brush	
7.	821-080CQT	PAINT ALUMINUM/ZINC QUART	Quart can	
7.	821-080CGL	PAINT ALUMINUM/ZINC GALLON	Gallon can	

# Gauge Wheel

Applies to RB2572, RB2584, RB2596



23826

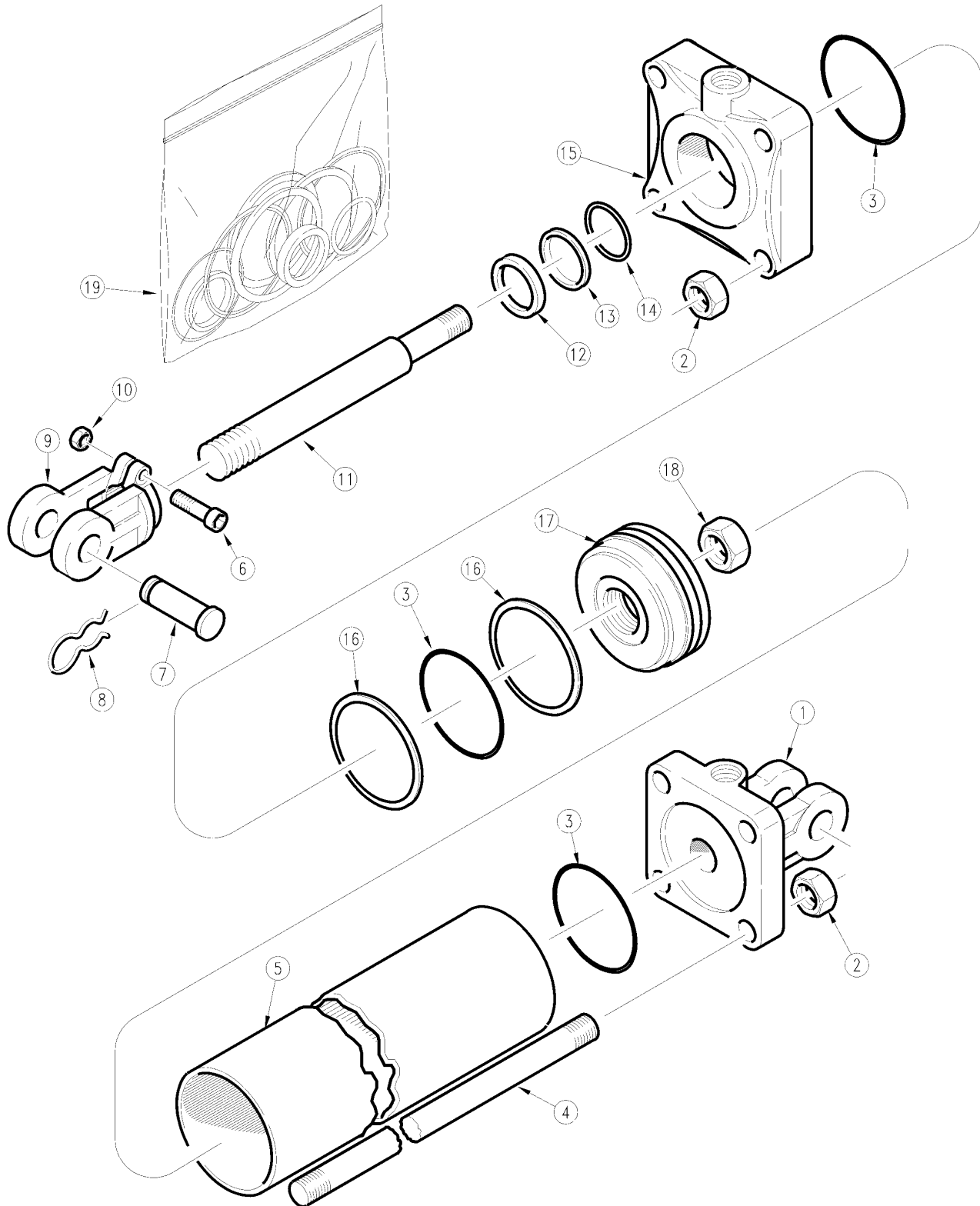
## Gauge Wheel

**Applies to RB2572, RB2584, RB2596**

Ref	Part No.	Part Description	Comments	Revision
	dwg16952	Drawing Image Number		
	300-014A	25 & 35 BLADE & RAKE SINGLE GW	Includes items 1 through 18	
1.	890-177C	RATCHET JACK - HEAVY DUT		
2.	300-015H	GAUGE WHEEL MOUNT WELDMENT		
3.	804-021C	WASHER FLAT 5/8 SAE PLT		
4.	803-024C	NUT LOCK 5/8-11 PLT		
5.	803-022C	NUT HEX 5/8-18 PLT		
6.	300-375D	TB RD DOM. 7/8ODX11GWLX3 15/16		
7.	802-062C	HHCS 5/8-11X5 GR5		
8.	804-022C	WASHER LOCK SPRING 5/8 PLT		
9.	802-207C	HHCS 5/8-18X1 1/2 GR5		
10.	300-016H	ARM WELDMENT		
11.	804-062C	WASHER MACH 1.88 X 1.25 X 10GA		
12.	800-080C	GREASE ZERK 1/4-28 THD FORMING		
13.	805-105C	PIN COTTER 1/4 X 2 1/2 PLT		
14.	300-017H	YOKE WELDMENT		
15.	803-021C	NUT HEX 5/8-11 PLT		
16.	802-208C	HHCS 5/8-11X8 GR5		
17.	300-050D	SINGLE GAUGE WHEEL SLEEVE		
18.	814-039C	WHEEL & TIRE PNEU 4.8/4.00 X 8		
19.	805-104C	PIN COTTER 3/16 X 1 1/2 PLT	Replaced by items 3, 4, 6 & 7	
20.	300-042D	MOUNT PIN	Replaced by items 3, 4, 6 & 7	
21.	300-068K	TURNBUCKLE ASSEMBLY	Replaced by 890-177C item 1	
22.	805-090C	PIN CLEVIS 1 X 3 3/16 LG		
23.	805-088C	PIN, HAIR COTTER 3/16 WIRE DIA		
24.	300-067H	SINGLE GW TURNBUCKLE WELDMENT		
25.	300-057D	LOCK TAB		
26.	810-162C	CYL 3.5X8X1.25 ROD (TIE ROD)		
27.	818-335C	DECAL RED NARROW REFLECTOR		

# Hydraulic Cylinder (810-162C) Cross

Applies to RB2572, RB2584, RB2596



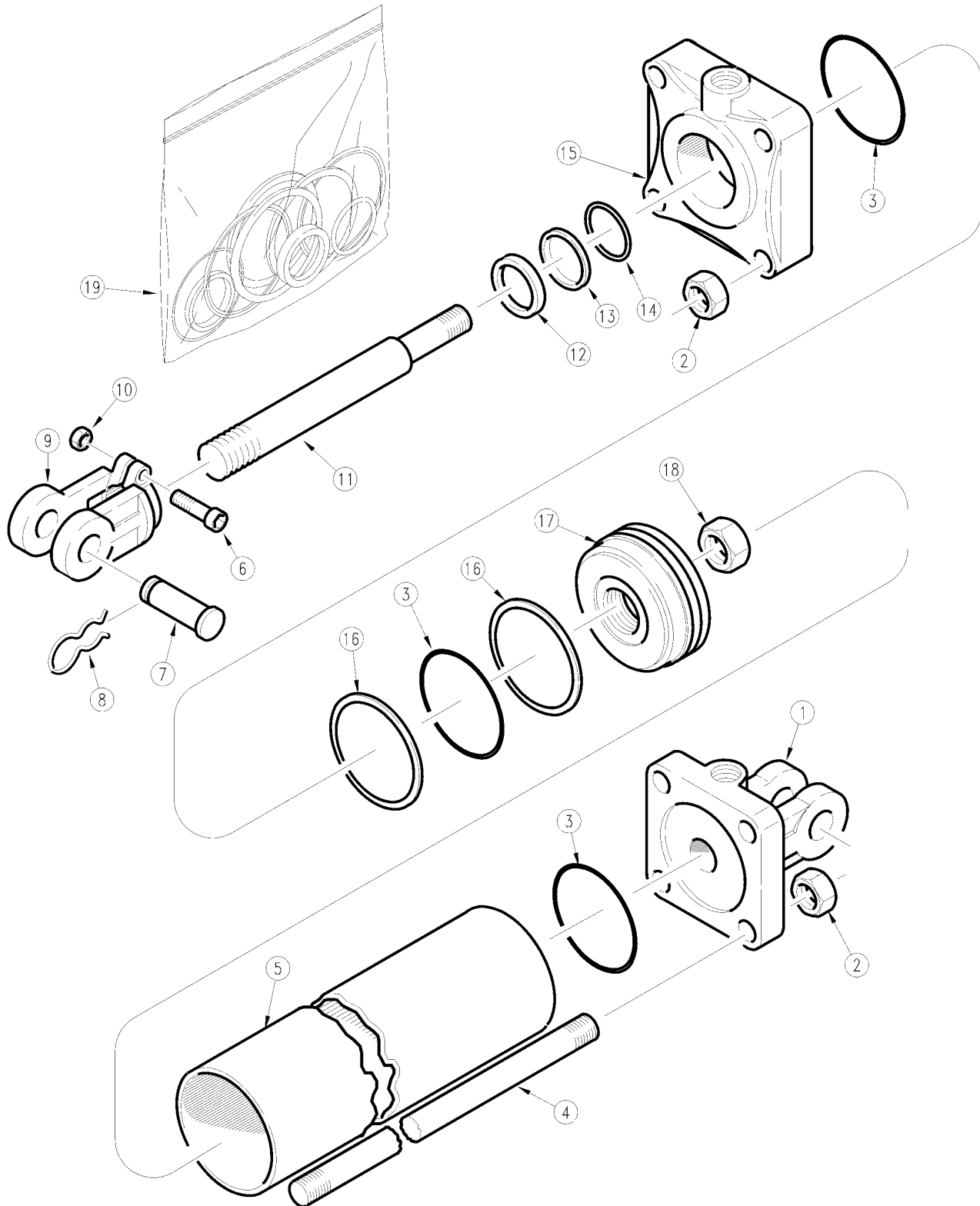
11421

**Hydraulic Cylinder (810-162C) Cross****Applies to RB2572, RB2584, RB2596**

<b>Ref</b>	<b>Part No.</b>	<b>Part Description</b>	<b>Comments</b>	<b>Revision</b>
	dwg11421	Drawing Image Number		
	810-162C	CYL 3.5X8X1.25 ROD (TIE ROD)		
1.	1D1509-4	BASE CROSS		
2.	2A0236-9	TIE ROD NUT CROSS		
3.		O-RING	Only found in seal kit item 19.	
4.	2A0581-1325	TIE ROD CROSS		
5.	1D0009-1050	TUBE CROSS		
6.	2A0079-616	CROSS SCREW, CAP		
7.	1D1551-16275	CROSS CLEVIS PIN		
8.	2A0308-1	CROSS PIN, CLIP		
9.	1D1003-5	CROSS ROD CLEVIS		
10.	2A0235-6	CROSS NUT, CLEVIS & TIE ROD		
11.	1D0205-1262	ROD CROSS		
12.		WIPER	Only found in seal kit item 19.	
13.		BACKUP ROD	Only found in seal kit item 19.	
14.		O-RING	Only found in seal kit item 19.	
15.	1D1159-4	HEAD CROSS		
16.		BACKUP PISTON	Only found in seal kit item 19.	
17.	1D1401-350	PISTON CROSS		
18.	1A1141	PISTON NUT CROSS		
19.	810-146C	SEAL KIT CROSS 3.5 CYL 1C4429		

# Hydraulic Cylinder (810-162C) Midway

Applies to RB2572, RB2584, RB2596



11421

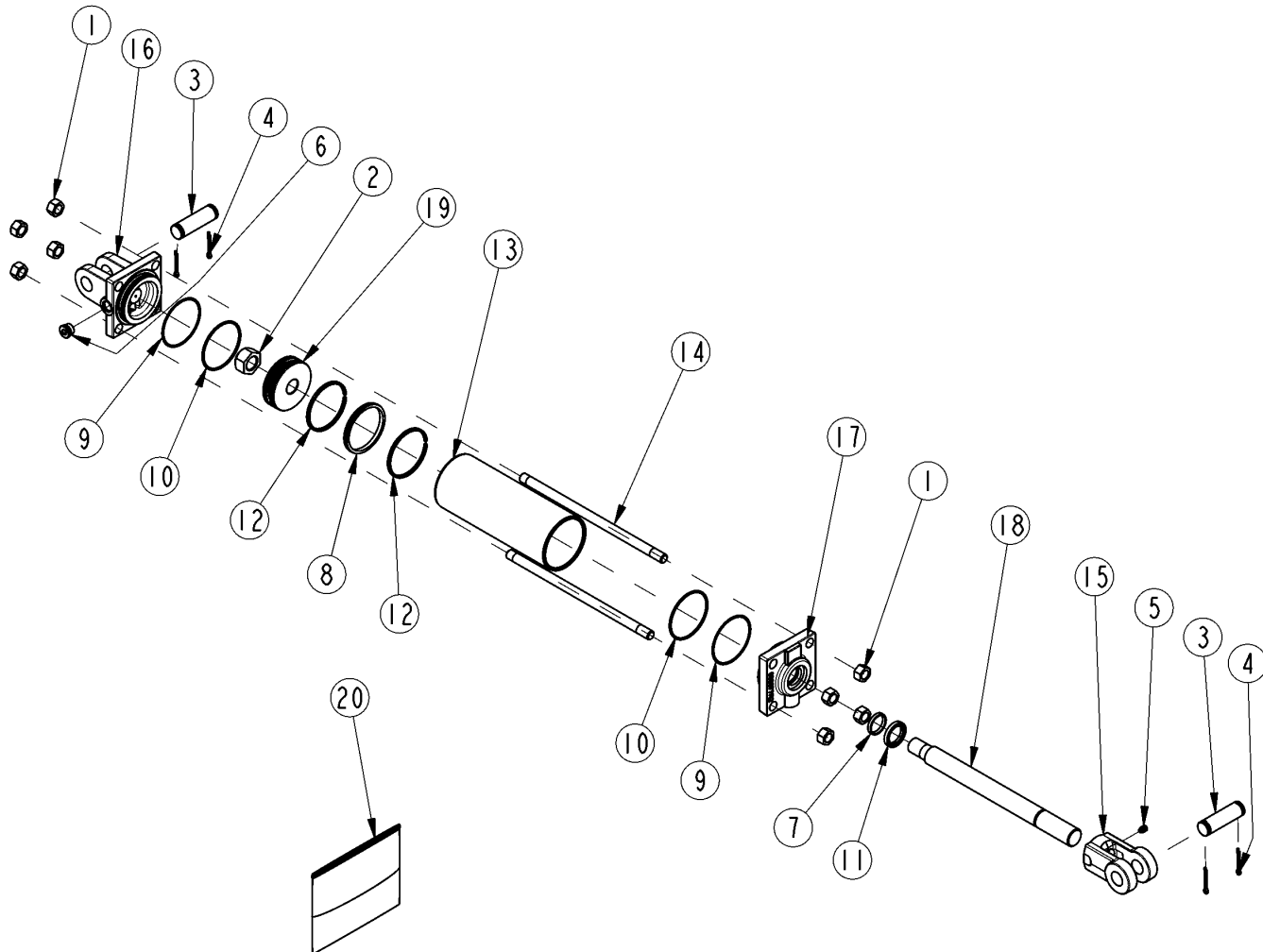


**Hydraulic Cylinder (810-162C) Midway****Applies to RB2572, RB2584, RB2596**

Ref	Part No.	Part Description	Comments	Revision
	Dwg 11421 810-162C	Drawing Image Number CYL 3.5X8X1.25 ROD (TIE ROD) *		
1.	6M5142	MW BASE (STD. 1" PIN)		
2.	2A0016	MW TIE ROD NUT		
3.		O-RING	Only found in seal kit item 19.	
4.	7M5316	MW ROD		
5.	5M5116	MW TUBE 3 1/2 X 8 CYLINDER		
6.	2A0006	MW CAPSCREW		
7.	2A0208	MW CLEVIS PIN		
8.	2A0132	MW PIN CLIP		
9.	1M6010	MW CLEVIS STD. DUTY		
10.	2A0012	MW NUT CLEVIS & TIE ROD		
11.	2M5416	MW ROD		
12.		WIPER	Only found in seal kit item 19.	
13.		BACKUP ROD	Only found in seal kit item 19.	
14.		O-RING	Only found in seal kit item 19.	
15.	3M5408	MW HEAD		
16.		BACKUP PISTON	Only found in seal kit item 19.	
17.	4M5108	MW PISTON	Obsolete	
17.	4M5102	RPBY 4M5108		
18.	2A0024	MW PISTON NUT 1"-14		
19.	810-149C	SEAL KIT 810-104C MW 3A5102		

## Hydraulic Cylinder (810-162C) Red Lion

Applies to RB2572, RB2584, RB2596



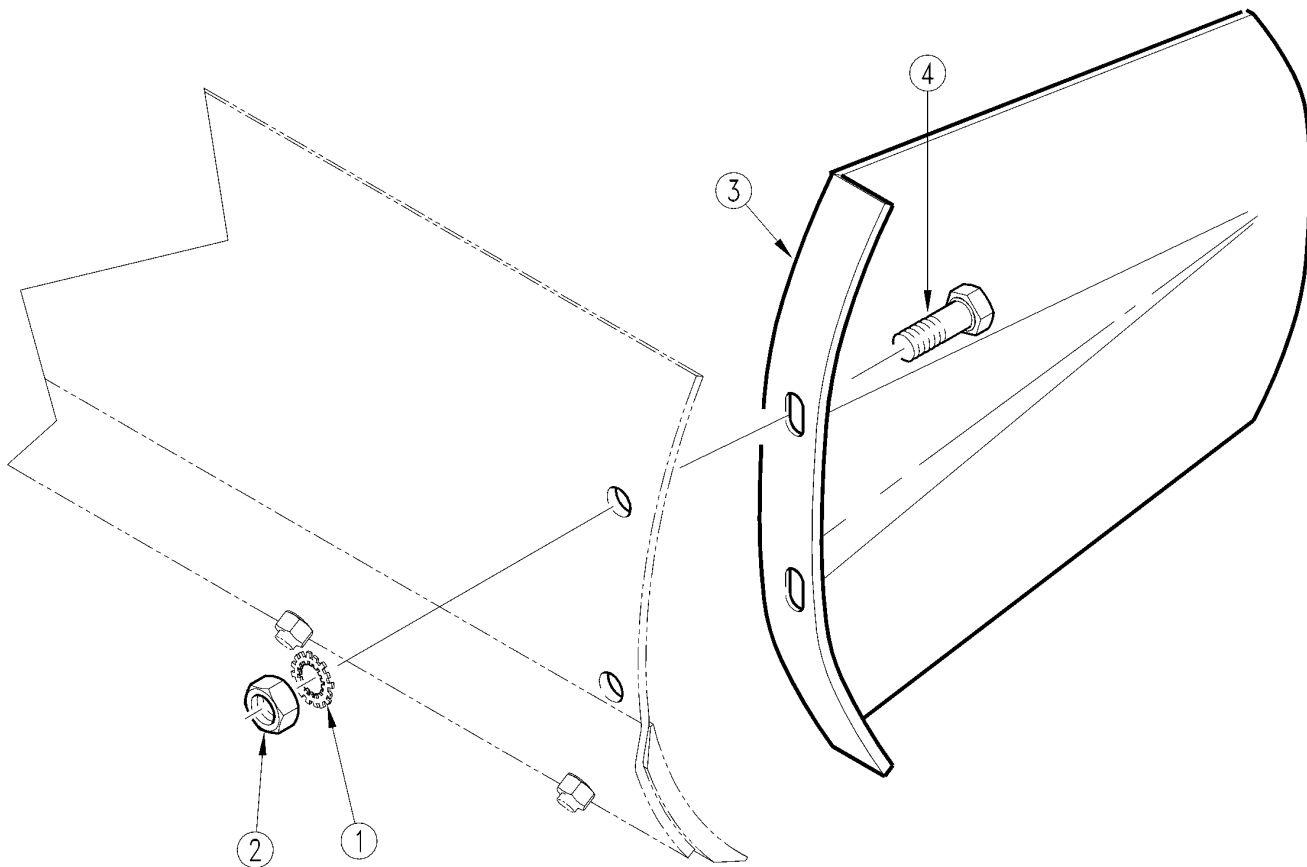
25900

**Hydraulic Cylinder (810-162C) Red Lion****Applies to RB2572, RB2584, RB2596**

Ref	Part No.	Part Description	Comments	Revision
	dwg25900	Drawing Image Number		
	810-162C	CYL 3.5X8X1.25 ROD (TIE ROD) *		
1.	803-022C	NUT HEX 5/8-18 PLT		
2.	130560	MON PISTON NUT		
3.	134953	LION PIN		
4.	135995	MON CLEVIS PIN COTTER		
5.	801-023C	SCREW SET SH 3/8-16X3/8 TYPE C		
6.	186562	LION PLUG 3/4-16UNF SOCKET HD		
7.	N/A	MON ROD SEAL	Only Found in Kit #20	
8.	N/A	MON PISTON SEAL (PSP)	Only Found in Kit #20	
9.	N/A	LION B.U. WASHER 073-236	Only Found in Kit #20	
10.	N/A	MON END CAP O-RING	Only Found in Kit #20	
11.	N/A	SEAL WIPER ROD	Only Found in Kit #20	
12.	N/A	MON PISTON WEAR RING	Only Found in Kit #20	
13.	491798	LION CYL. TUBE 3.5 X 8		
14.	492338	LION TIE ROD 5/8 X 8		
15.	492652	LION ROD CLEVIS 1 1/4 (1PIN)		
16.	492676	LION CLEVIS CAP 3.5 ORB		
17.	494286	MON ROD CAP3.5-1.25-3/4ORB-TSS		
18.	492700	LION ROD 1.25 DIA. ASAE 8		
19.	258827	MON PISTN 3.50-1.00-TSS-ISO-WR		
20.	810-888C	MON SEAL KIT 661703		

## Side Plates

Applies to RB2572, RB2584, RB2596



## Side Plates

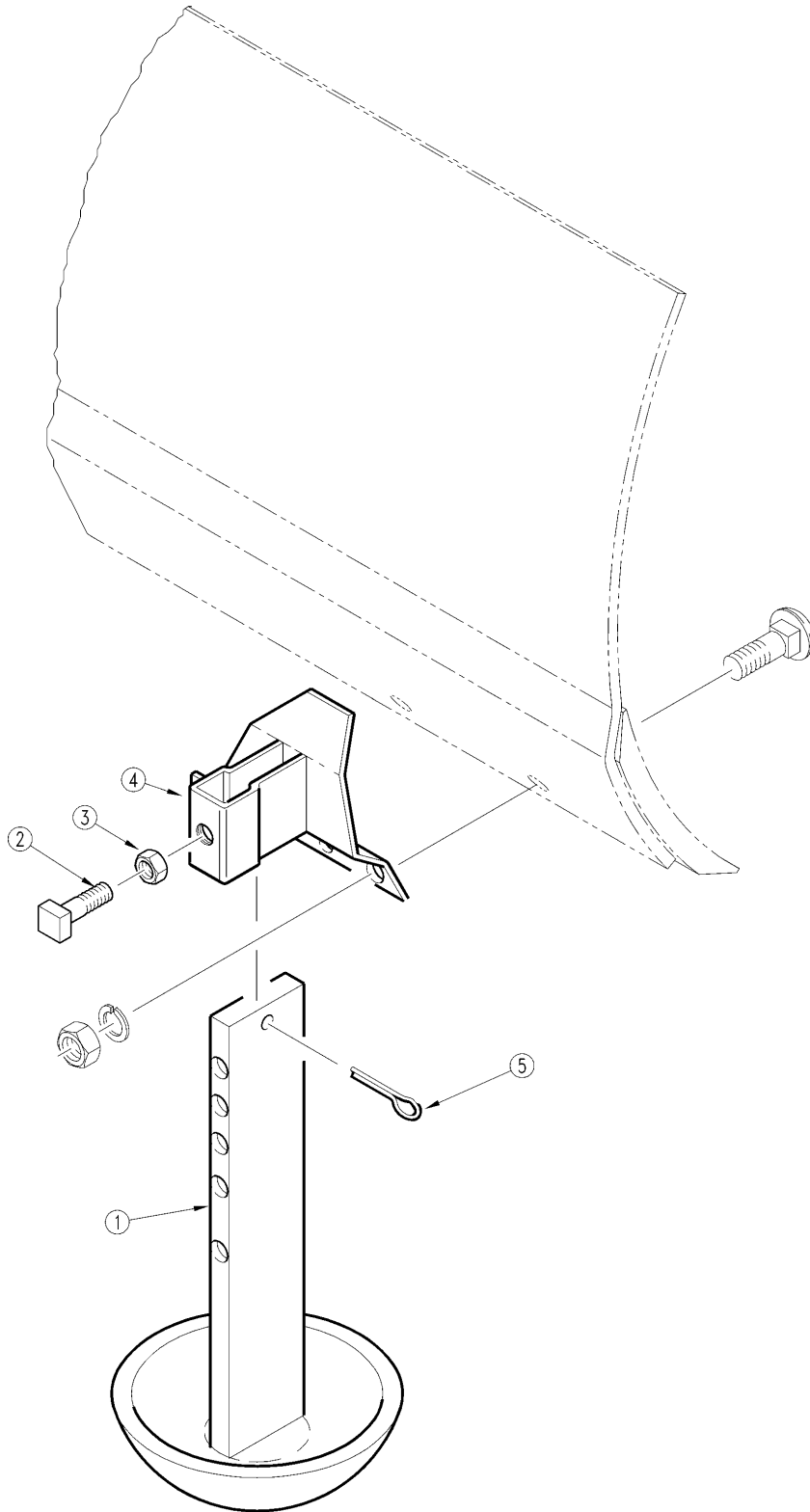
---

**Applies to RB2572, RB2584, RB2596**

Ref	Part No.	Part Description	Comments	Revision
	dwg10331 301-010A	Drawing Image Number SIDE PLATE - PAIR	Includes two of item 3 and four of items 1; 2 and 4	
1.	804-065C	WASHER INT-EXT 1/2 PLT		
2.	803-020C	NUT HEX 1/2-13 PLT		
3.	301-011H	SIDE PLATE WELDMENT		
4.	802-091C	HHCS 1/2-13X1 1/2 GR5		

## Skid Shoes

Applies to RB2572, RB2584, RB2596



10332

## Skid Shoes

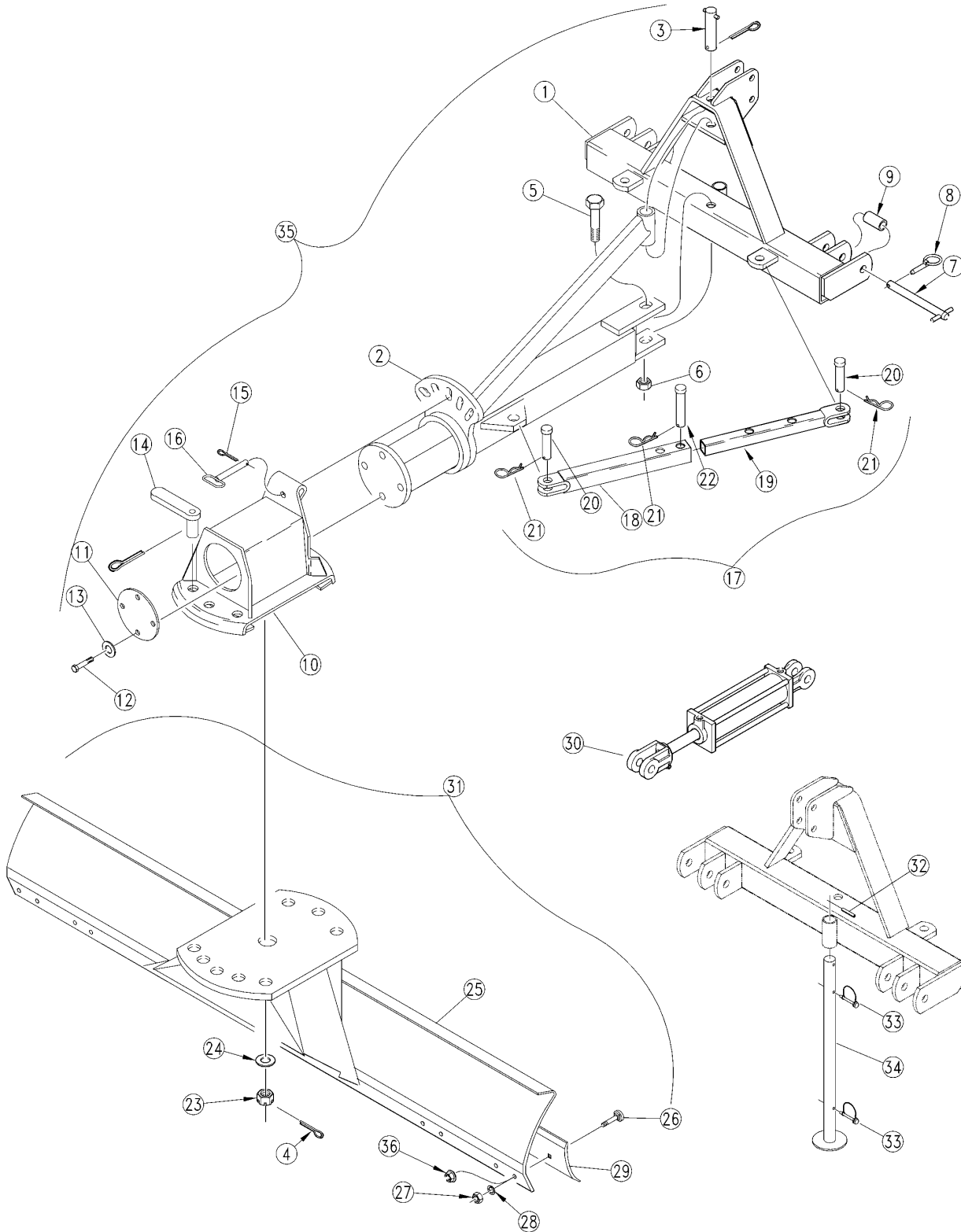
---

**Applies to RB2572, RB2584, RB2596**

Ref	Part No.	Part Description	Comments	Revision
	dwg10332	Drawing Image Number		
	301-330A	SKID SHOE ASSEMBLY	S/N 633207+ Includes 2 skid shoe assemblies (2 of items 1-5)	
	301-012A	SKID SHOE ASSEMBLY	S/N 633206- Includes 2 skid shoe assemblies (2 of items 1-5)	
		*		
1.	301-013H	SKID SHOE		
2.	801-046C	SCRW SET SQ HD1/2-13X2 GR5 PLT		
3.	803-020C	NUT HEX 1/2-13 PLT		
4.	301-331H	SKID SHOE MOUNT WELD ASSY	S/N 633207+	
4.	301-014H	SKID SHOE MOUNT WELDMENT	S/N 633206-	
5.	805-020C	PIN COTTER 1/4 X 1 PLT		

# Frame and Blade

Applies to RB3572, RB3584, RB3596



10345



**Frame and Blade****Applies to RB3572, RB3584, RB3596**

Ref	Part No.	Part Description	Comments	Revision
	Dwg 10345	Drawing Image Number		
1.	300-071H	35 SERIES BLADE & RAKE FRAME		
1.	300-071H81	35 BLADE/RAKE FRAME GREEN	Obsolete	
1.	300-071H82	35 BLADE/RAKE FRAME ORANGE	Obsolete	
2.	300-072H	35 SERIES REAR FRAME	Obsolete	
2.	300-072H81	35 REAR FRAME GREEN	Obsolete	
2.	300-072H82	35 REAR FRAME ORANGE	Obsolete	
3.	300-077S	PIVOT PIN ASSY		
4.	805-017C	PIN COTTER 3/16 X 1 3/4 PLT		
5.	802-074C	HHCS 1-8X6 1/2 GR5		
6.	803-038C	NUT HEX 1-8 NYLON INSERT PLT		
7.	305-067S	LOWER HITCH PIN ASSY		Rev. 2
7.	300-106S	LOWER HITCH PIN ASSY		Rev 1; Use up stock
8.	805-015C	PIN LYNCH 5/16 X 1 3/4		
9.	300-296D	BUSHING		
10.	300-073H	TILT TURNTABLE W.A.	Obsolete	
10.	300-073H81	TILT TURNTABLE W.A. GREEN	Obsolete	
10.	300-073H82	TILT TURNTABLE W.A. ORANGE	Obsolete	
11.	300-084D	RETAINER PLATE		
12.	802-209C	HHCS 5/8-18X1 GR5		
13.	804-022C	WASHER LOCK SPRING 5/8 PLT		
14.	805-203C	PIN 1 1/8OD X2 1/8 USBL W/HNDL		Rev. 2
14.	300-013H	RPBY 805-203C		Rev 1; Use up stock
15.	805-032C	PIN HAIR COTTER .148 WIRE		
16.	805-202C	RPBY 805-364C	Obsolete	
17.	300-079K	MALE-FEMALE LINK ASSY	Obsolete (Includes one of items 18; 19 and 22; two of item 20 and three of item 21.	
18.	300-075H	FEMALE LINK WELDMENT	Obsolete	
19.	300-076H	MALE LINK WELDMENT	Obsolete	
20.	805-137C	PIN CLEVIS 1 X 2 PLT		
21.	805-088C	PIN, HAIR COTTER 3/16 WIRE DIA		
22.	805-090C	PIN CLEVIS 1 X 3 3/16 LG		
23.	803-095C	NUT HEX SLOTTED 1-14		
24.	804-028C	WASHER FLAT 1 USS		
25.	301-319H	6' -35 SERIES BLADE WELDMENT	S/N 633207+	
25.	301-239H	RPBY 301-319H	(S/N 407931 to 633206)	Rev. 2
25.	301-016H	6' BLADE WELDMENT	(S/N 407930-)	Rev 1; Use up stock
25.	301-320H	7' -35 SERIES BLADE WELDMENT	S/N 633207+ Obsolete	
25.	301-238H	RPBY 301-320H	(S/N 407931 to 633206)	Rev. 3
25.	301-221H	RB35 7' BLADE WELDMENT	(S/N 269275 to 407930)	Rev 2; Use up stock
25.	301-018H	7' BLADE WELDMENT	(S/N 269274-)	Rev 1; Use up stock
25.	301-321H	8' -35 SERIES BLADE WELDMENT	S/N 633207+ Obsolete	
25.	301-237H	RPBY 301-321H	(S/N 407931 to 633206)	Rev. 3
25.	301-220H	RB35 8' BLADE WELDMENT	(S/N 269275 to 407930)	Rev 2; Use up stock
25.	301-020H	8' BLADE WELDMENT	(S/N 269274-)	Rev 1; Use up stock
26.	802-206C	PLOW 5/8-11X1 3/4 GR5		
27.	803-021C	NUT HEX 5/8-11 PLT	Replace w/ #36	
28.	804-022C	WASHER LOCK SPRING 5/8 PLT	Replace w/ #36	
29.	820-043C	GRADER BLADE 1/2 X 6 X 71 1/2		
29.	820-046C	GRADER BLADE 1/2 X 6 X 83 1/2		
29.	820-035C	GRADER BLADE 1/2 X 6 X 95 1/2		
30.	810-162C	CYL 3.5X8X1.25 ROD (TIE ROD)		Rev. 2
30.	810-104C	CYL 3.5X8X1.25 ROD (TIE) 1 PIN		Rev 1; Use up stock
31.	301-015A	25 & 35 SERIES BLADE ASSY - 6'		
31.	301-184A	RB3584 BLADE ASSEMBLY	(S/N 269275+)	Rev. 2
31.	301-017A	25 & 35 SERIES BLADE ASSY - 7'	(S/N 269274-)	Rev 1; Use up stock
31.	301-240A	RB3596 BLADE ASSEMBLY	(S/N 407931+) Obsolete	

***Frame and Blade (continued)***

**Applies to RB3572, RB3584, RB3596**

<b>Ref</b>	<b>Part No.</b>	<b>Part Description</b>	<b>Comments</b>	<b>Revision</b>
31.	301-185A	RPBY 301-240A	(S/N 269275 to 407930)	Rev. 2
31.	301-019A	25 & 35 SERIES BLADE ASSY - 8'	(S/N 269274-)	Rev 1; Use up stock
32.	805-161C	PIN ROLL 3/8 X 1 3/4 LG PLT		Rev. 2
32.	805-177C	PIN ROLL 5/16 X 1 3/4 PLT	(S/N 197311+)	Rev 1; Use up stock
33.	805-065C	PIN WIRE RETAINING 1/4 X 1 3/4	(S/N 197311+)	
34.	300-171H	SUPPORT STAND WELDMENT - RB35	(S/N 197311+)	
35.	300-078A	35 SERIES FRAME ASSY	Obsolete	
36.	803-263C	NUT HEX FLANGE LOCK 5/8-11		

***Frame and Blade (continued)***

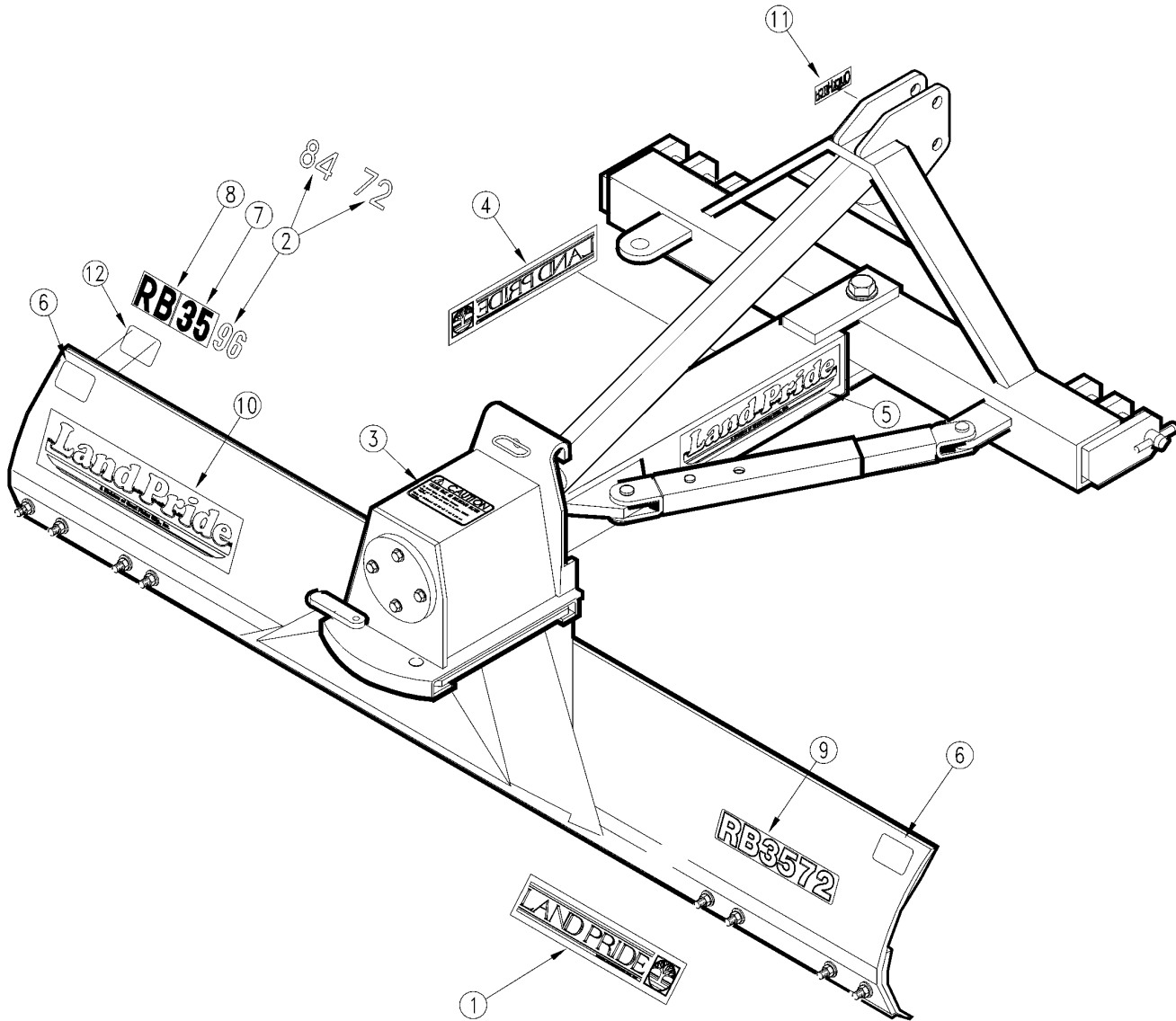
---

Applies to RB3572, RB3584, RB3596

***This Page Intentionally Left Blank***

## Decal Placement

Applies to RB3572, RB3584, RB3596



## Decal Placement

**Applies to RB3572, RB3584, RB3596**

Ref	Part No.	Part Description	Comments	Revision
	Dwg 17578	Drawing Image Number		
1.	818-163C	LP LOGO LARGE BUCKSKIN	(S/N 252247-)	
2.	818-112C	DECAL 96 LP - BUCKSKIN	(S/N 252247-)	
2.	818-111C	DECAL 84 LP -BUCKSKIN	(S/N 252247-)	
2.	818-109C	DECAL 72 LP - BUCKSKIN	(S/N 252247-) Obsolete	
3.	818-202C	DECAL CAUTION FALL MBOARD/RAKE		
4.	818-164C	LP LOGO SMALL GREEN		Rev. 2
4.	818-086C	DECAL 35 SERIES LP - BLACK	Obsolete	Rev 1; Use up stock
5.	818-899C	RPBY 848-161C	(S/N 252248+) Beige Unit	Rev. 2 not compat. w/Rev. 1
5.	848-161C	DECAL LANDPRIDE 13.25 BRWN/GLD	Green Unit &Orange Unit	
5.	818-164C	LP LOGO SMALL GREEN	(S/N 252247-)	Rev. 1
6.	818-230C	DECAL RED REFLECTOR		
7.	818-103C	DECAL 35 SERIES LP - BUCKSKIN	(S/N 252247-)	
8.	818-726C	DECAL RB LAND PRIDE BUCKSKIN	(S/N 252247-)	
9.	818-979C	DECAL RB3572-BEIGE	(S/N 252248+)	
9.	818-980C	DECAL RB3584-BEIGE	(S/N 252248+)	
9.	818-981C	DECAL RB3596-BEIGE	(S/N 252248+)	
10.	838-966C	DECAL LANDPRIDE 22" BROWN/GOLD	(S/N _____)	
10.	818-902C	RPBY 838-965C	(S/N 252248 to _____)	
10.	838-965C	DECAL LANDPRIDE 16" BROWN/GOLD		
11.	838-517C	DECAL QUICK HITCH SYSTEM		
12.	818-229C	DECAL AMBER REFLECTOR	RB3596 S/N 734372+	

***Touch-up Paints - LP***

---

Applies to RB3572, RB3584, RB3596

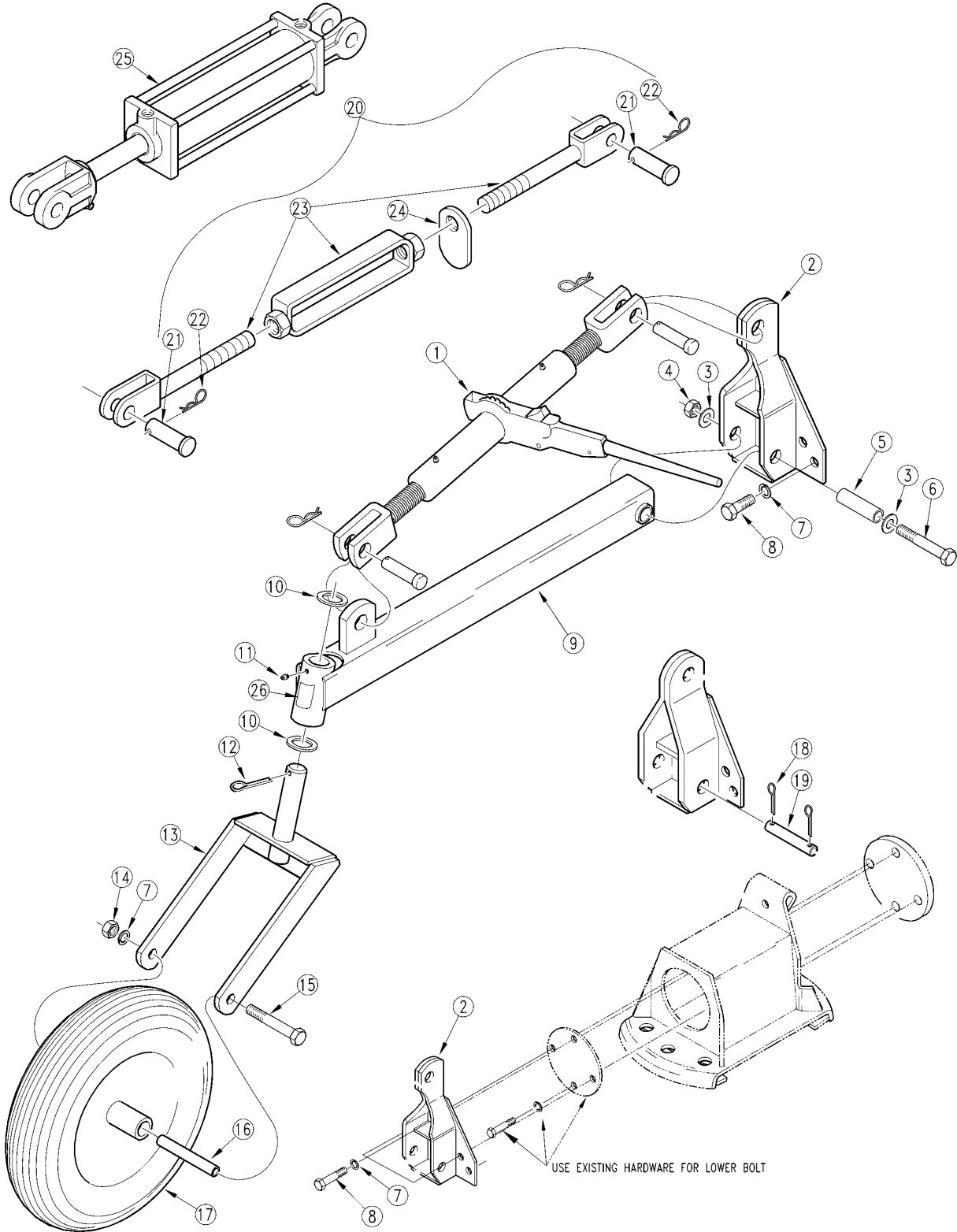
**No diagram associated with this Parts List**

***Touch-up Paints - LP*****Applies to RB3572, RB3584, RB3596**

<b>Ref</b>	<b>Part No.</b>	<b>Part Description</b>	<b>Comments</b>	<b>Revision</b>
1.	821-011C	LP BEIGE SPRAY CAN	Spray can	
1.	821-011CTU	LP BEIGE TOUCH-UP 5OZ	Touch-up bottle with brush	
1.	821-011CQT	LP BEIGE QUART	Quart can	
1.	821-011CGL	LP BEIGE GALLON	Gallon can	
2.	821-070C	GLOSS BLACK SPRAY CAN	Spray can	
2.	821-070CTU	GLOSS BLACK TOUCH-UP 5OZ	Touch-up bottle with brush	
2.	821-070CQT	GLOSS BLACK QUART	Quart can	
2.	821-070CGL	GLOSS BLACK GALLON	Gallon can	
3.	821-054C	MED. RED SPRAY TRCK/CTR	Spray can	
3.	821-054CTU	MED RED TOUCH-UP 5OZ	Touch-up bottle with brush	
3.	821-054CQT	MED RED QUART	Quart can	
3.	821-054CGL	MED RED GALLON	Gallon can	
4.	821-058C	GREEN SPRAY CUTTERS	Spray can	
4.	821-058CTU	GREEN TOUCH-UP 5OZ	Touch-up bottle with brush	
4.	821-058CQT	GREEN QUART	Quart can	
4.	821-058CGL	GREEN GALLON	Gallon can	
5.	821-066C	ORANGE SPRAY CAN	Spray can	
5.	821-066CTU	ORANGE TOUCH-UP 5OZ	Touch-up bottle with brush	
5.	821-066CQT	ORANGE QUART	Quart can	
5.	821-066CGL	ORANGE GALLON	Gallon can	
6.	821-067C	BLUE SPRAY CAN	Spray can	
6.	821-067CTU	BLUE TOUCH-UP 5OZ	Touch-up bottle with brush	
6.	821-067CQT	BLUE QUART	Quart can	
6.	821-067CGL	BLUE GALLON	Gallon can	
7.	821-080C	PAINT ALUMINUM/ZINC SPRAY CAN	Spray can	
7.	821-080CTU	PAINT ALUMINUM/ZINC TOUCH UP	Touch-up bottle with brush	
7.	821-080CQT	PAINT ALUMINUM/ZINC QUART	Quart can	
7.	821-080CGL	PAINT ALUMINUM/ZINC GALLON	Gallon can	

# Gauge Wheel

Applies to RB3572, RB3584, RB3596



16952



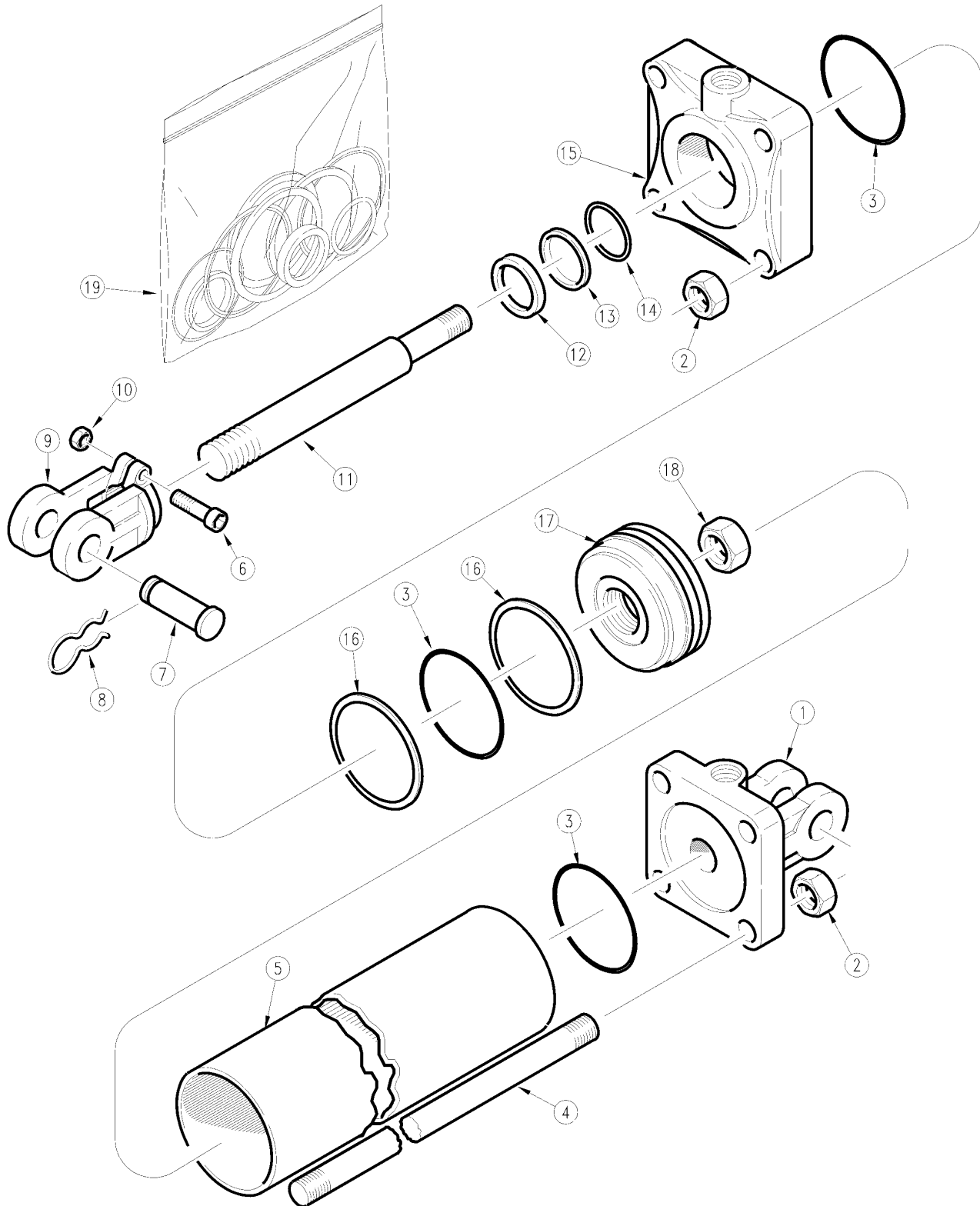
## Gauge Wheel

**Applies to RB3572, RB3584, RB3596**

Ref	Part No.	Part Description	Comments	Revision
	dwg16952	Drawing Image Number		
	300-014A	25 & 35 BLADE & RAKE SINGLE GW	Includes items 1 through 18	
1.	890-177C	RATCHET JACK - HEAVY DUT		
2.	300-015H	GAUGE WHEEL MOUNT WELDMENT		
3.	804-021C	WASHER FLAT 5/8 SAE PLT		
4.	803-024C	NUT LOCK 5/8-11 PLT		
5.	300-375D	TB RD DOM. 7/8ODX11GWLX3 15/16		
6.	802-062C	HHCS 5/8-11X5 GR5		
7.	804-022C	WASHER LOCK SPRING 5/8 PLT		
8.	802-207C	HHCS 5/8-18X1 1/2 GR5		
9.	300-016H	ARM WELDMENT		
10.	804-062C	WASHER MACH 1.88 X 1.25 X 10GA		
11.	800-080C	GREASE ZERK 1/4-28 THD FORMING		
12.	805-105C	PIN COTTER 1/4 X 2 1/2 PLT		
13.	300-017H	YOKE WELDMENT		
14.	803-021C	NUT HEX 5/8-11 PLT		
15.	802-208C	HHCS 5/8-11X8 GR5		
16.	300-050D	SINGLE GAUGE WHEEL SLEEVE		
17.	814-039C	WHEEL & TIRE PNEU 4.8/4.00 X 8		
18.	805-104C	PIN COTTER 3/16 X 1 1/2 PLT	Replaced by items 3, 4, 6 & 7	
19.	300-042D	MOUNT PIN	Replaced by items 3, 4, 6 & 7	
20.	300-068K	TURNBUCKLE ASSEMBLY	Replaced by 890-177C item 1	
21.	805-090C	PIN CLEVIS 1 X 3 3/16 LG		
22.	805-088C	PIN, HAIR COTTER 3/16 WIRE DIA		
23.	300-067H	SINGLE GW TURNBUCKLE WELDMENT		
24.	300-057D	LOCK TAB		
25.	810-162C	CYL 3.5X8X1.25 ROD (TIE ROD)		
26.	818-335C	DECAL RED NARROW REFLECTOR		

# Hydraulic Cylinder (810-162C) Cross

Applies to RB3572, RB3584, RB3596



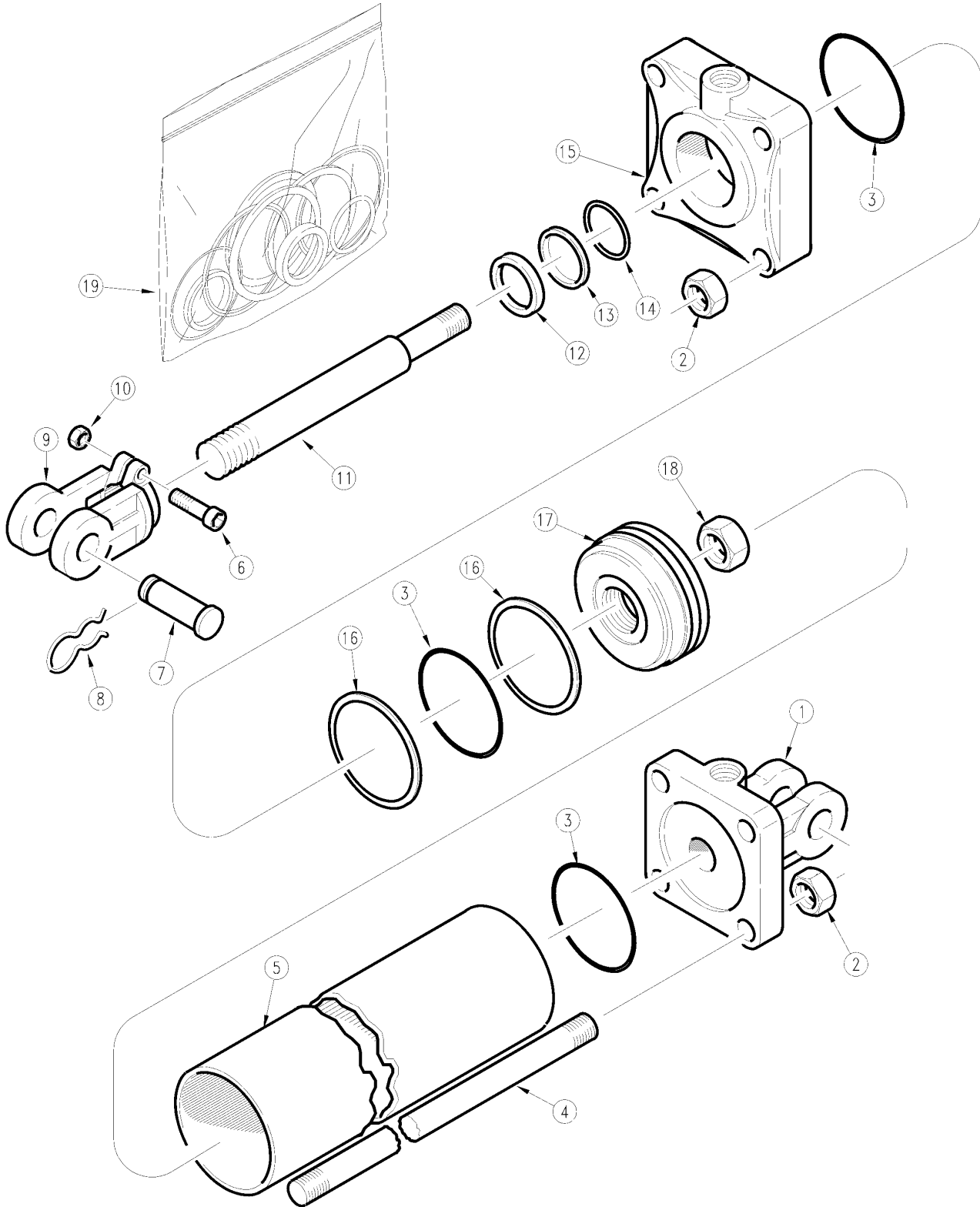
11421

**Hydraulic Cylinder (810-162C) Cross****Applies to RB3572, RB3584, RB3596**

<b>Ref</b>	<b>Part No.</b>	<b>Part Description</b>	<b>Comments</b>	<b>Revision</b>
	dwg11421	Drawing Image Number		
	810-162C	CYL 3.5X8X1.25 ROD (TIE ROD)		
1.	1D1509-4	BASE CROSS		
2.	2A0236-9	TIE ROD NUT CROSS		
3.		O-RING	Only found in seal kit item 19.	
4.	2A0581-1325	TIE ROD CROSS		
5.	1D0009-1050	TUBE CROSS		
6.	2A0079-616	CROSS SCREW, CAP		
7.	1D1551-16275	CROSS CLEVIS PIN		
8.	2A0308-1	CROSS PIN, CLIP		
9.	1D1003-5	CROSS ROD CLEVIS		
10.	2A0235-6	CROSS NUT, CLEVIS & TIE ROD		
11.	1D0205-1262	ROD CROSS		
12.		WIPER	Only found in seal kit item 19.	
13.		BACKUP ROD	Only found in seal kit item 19.	
14.		O-RING	Only found in seal kit item 19.	
15.	1D1159-4	HEAD CROSS		
16.		BACKUP PISTON	Only found in seal kit item 19.	
17.	1D1401-350	PISTON CROSS		
18.	1A1141	PISTON NUT CROSS		
19.	810-146C	SEAL KIT CROSS 3.5 CYL 1C4429		

# Hydraulic Cylinder (810-162C) Midway

Applies to RB3572, RB3584, RB3596



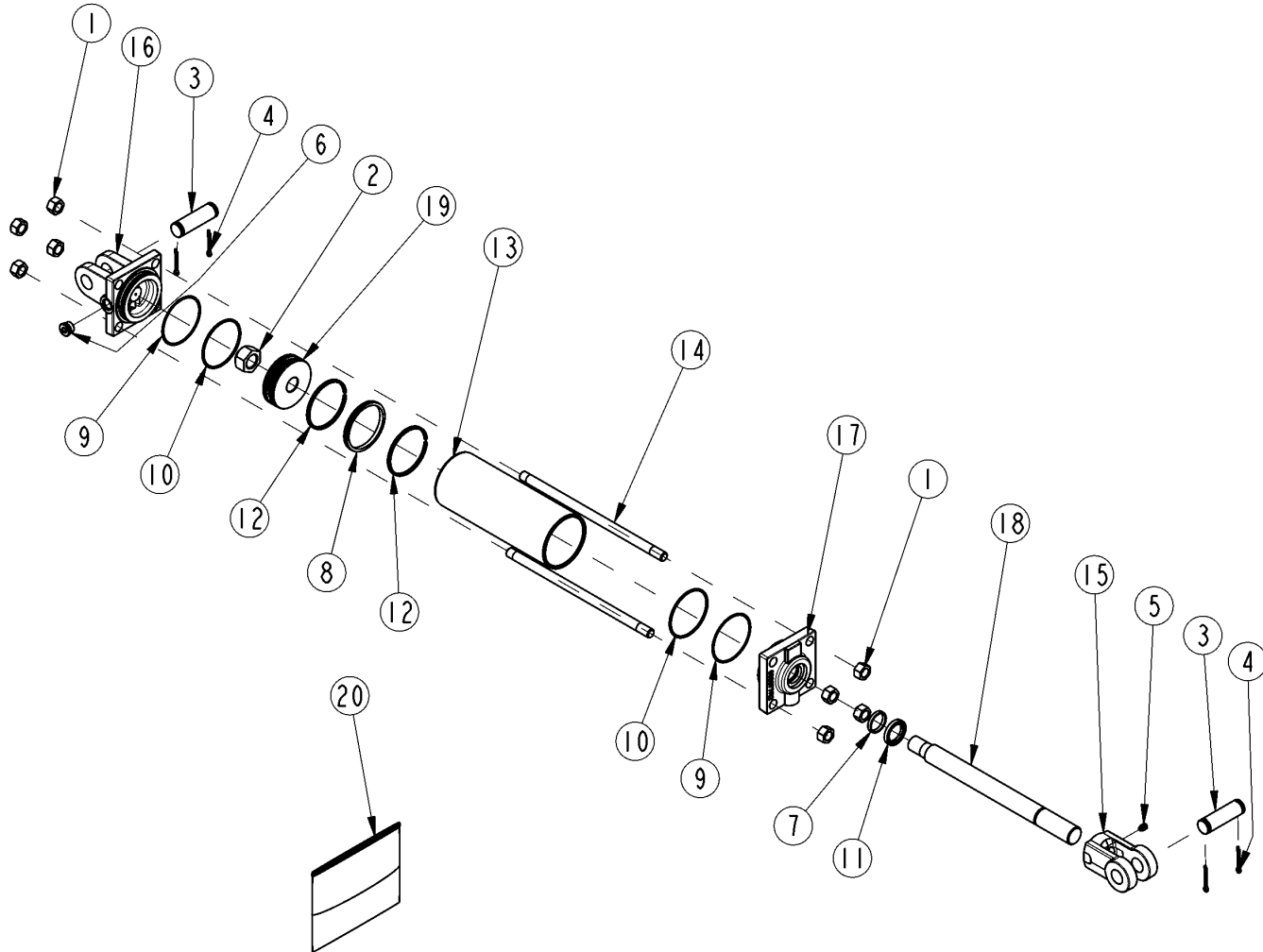
11421

**Hydraulic Cylinder (810-162C) Midway****Applies to RB3572, RB3584, RB3596**

<b>Ref</b>	<b>Part No.</b>	<b>Part Description</b>	<b>Comments</b>	<b>Revision</b>
	Dwg 11421	Drawing Image Number		
	810-162C	CYL 3.5X8X1.25 ROD (TIE ROD) *		
1.	6M5142	MW BASE (STD. 1" PIN)		
2.	2A0016	MW TIE ROD NUT		
3.		O-RING	Only found in seal kit item 19.	
4.	7M5316	MW ROD		
5.	5M5116	MW TUBE 3 1/2 X 8 CYLINDER		
6.	2A0006	MW CAPSCREW		
7.	2A0208	MW CLEVIS PIN		
8.	2A0132	MW PIN CLIP		
9.	1M6010	MW CLEVIS STD. DUTY		
10.	2A0012	MW NUT CLEVIS & TIE ROD		
11.	2M5416	MW ROD		
12.		WIPER	Only found in seal kit item 19.	
13.		BACKUP ROD	Only found in seal kit item 19.	
14.		O-RING	Only found in seal kit item 19.	
15.	3M5408	MW HEAD		
16.		BACKUP PISTON	Only found in seal kit item 19.	
17.	4M5108	MW PISTON	Obsolete	
17.	4M5102	RPBY 4M5108		
18.	2A0024	MW PISTON NUT 1"-14		
19.	810-149C	SEAL KIT 810-104C MW 3A5102		

## Hydraulic Cylinder (810-162C) Red Lion

Applies to RB3572, RB3584, RB3596



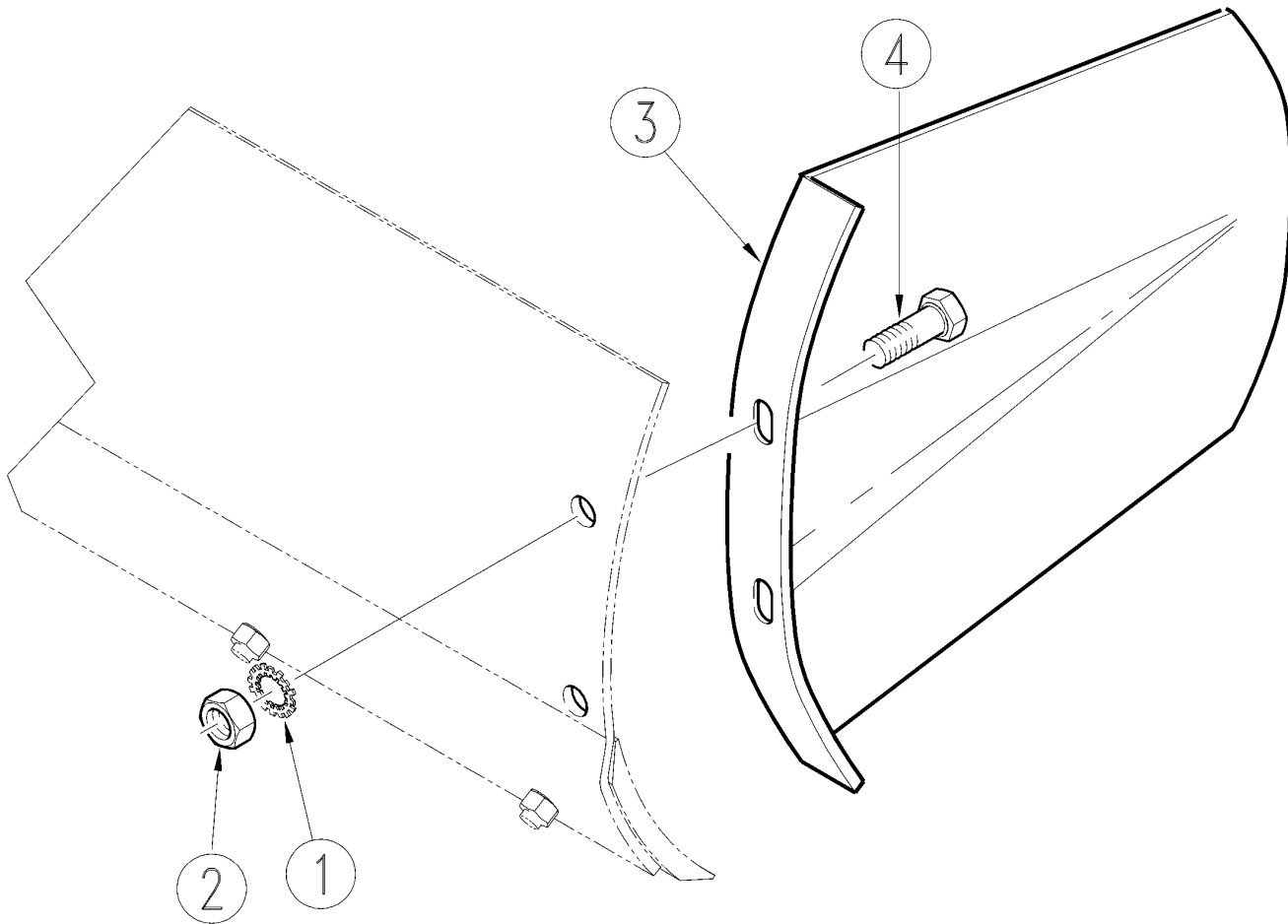
25900

**Hydraulic Cylinder (810-162C) Red Lion****Applies to RB3572, RB3584, RB3596**

Ref	Part No.	Part Description	Comments	Revision
	dwg25900	Drawing Image Number		
	810-162C	CYL 3.5X8X1.25 ROD (TIE ROD) *		
1.	803-022C	NUT HEX 5/8-18 PLT		
2.	130560	MON PISTON NUT		
3.	134953	LION PIN		
4.	135995	MON CLEVIS PIN COTTER		
5.	801-023C	SCREW SET SH 3/8-16X3/8 TYPE C		
6.	186562	LION PLUG 3/4-16UNF SOCKET HD		
7.	N/A	MON ROD SEAL	Only Found in Kit #20	
8.	N/A	MON PISTON SEAL (PSP)	Only Found in Kit #20	
9.	N/A	LION B.U. WASHER 073-236	Only Found in Kit #20	
10.	N/A	MON END CAP O-RING	Only Found in Kit #20	
11.	N/A	SEAL WIPER ROD	Only Found in Kit #20	
12.	N/A	MON PISTON WEAR RING	Only Found in Kit #20	
13.	491798	LION CYL. TUBE 3.5 X 8		
14.	492338	LION TIE ROD 5/8 X 8		
15.	492652	LION ROD CLEVIS 1 1/4 (1PIN)		
16.	492676	LION CLEVIS CAP 3.5 ORB		
17.	494286	MON ROD CAP3.5-1.25-3/4ORB-TSS		
18.	492700	LION ROD 1.25 DIA. ASAE 8		
19.	258827	MON PISTN 3.50-1.00-TSS-ISO-WR		
20.	810-888C	MON SEAL KIT 661703		

## Side Plates

Applies to RB3572, RB3584, RB3596



13540



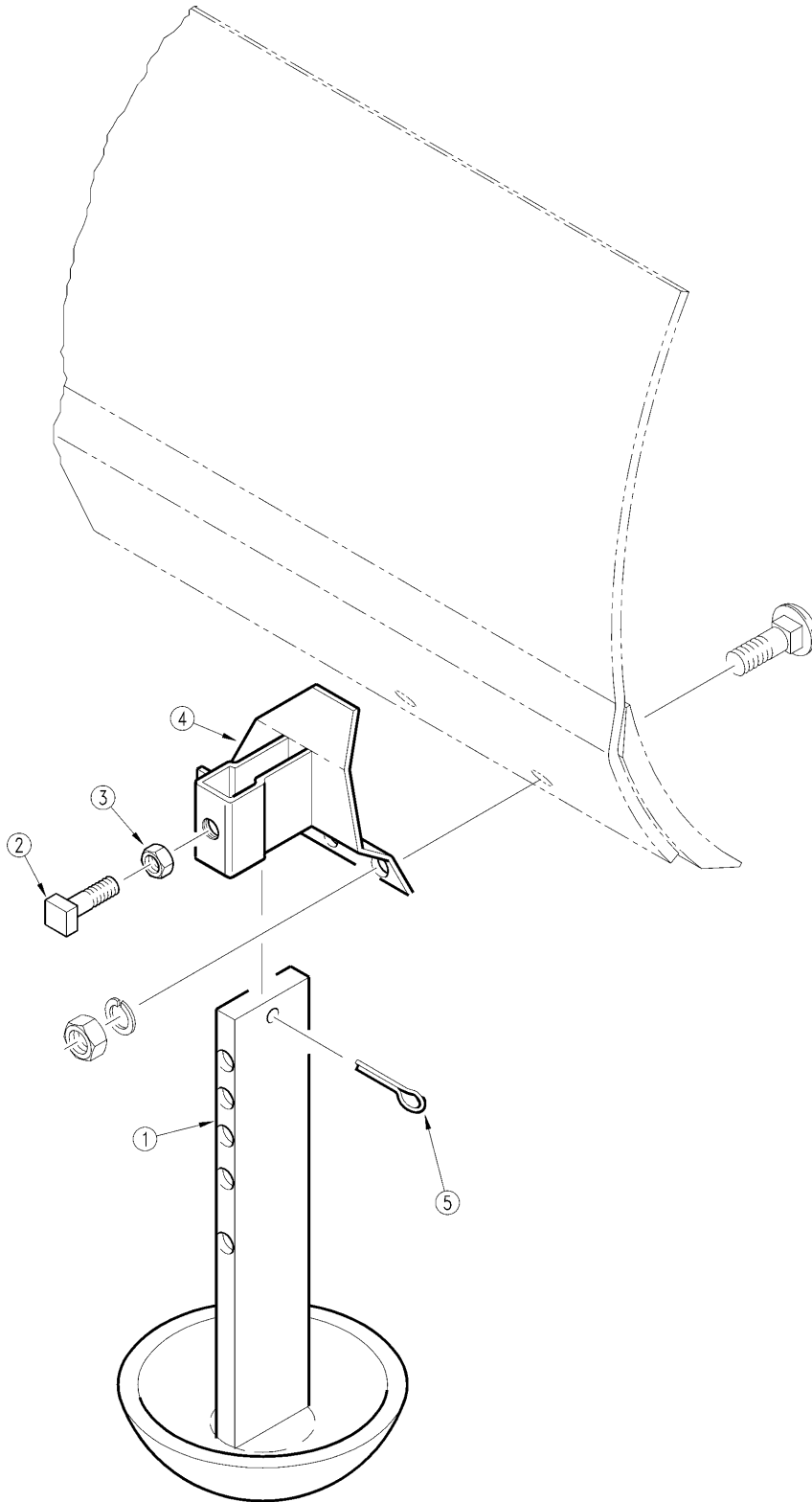
## Side Plates

**Applies to RB3572, RB3584, RB3596**

Ref	Part No.	Part Description	Comments	Revision
	dwg13540	Drawing Image Number		
	301-010A	SIDE PLATE - PAIR		
1.	804-065C	WASHER INT-EXT 1/2 PLT		
2.	803-020C	NUT HEX 1/2-13 PLT		
3.	301-011H	SIDE PLATE WELDMENT		
4.	802-091C	HHCS 1/2-13X1 1/2 GR5		

## Skid Shoes

Applies to RB3572, RB3584, RB3596



13541

## Skid Shoes

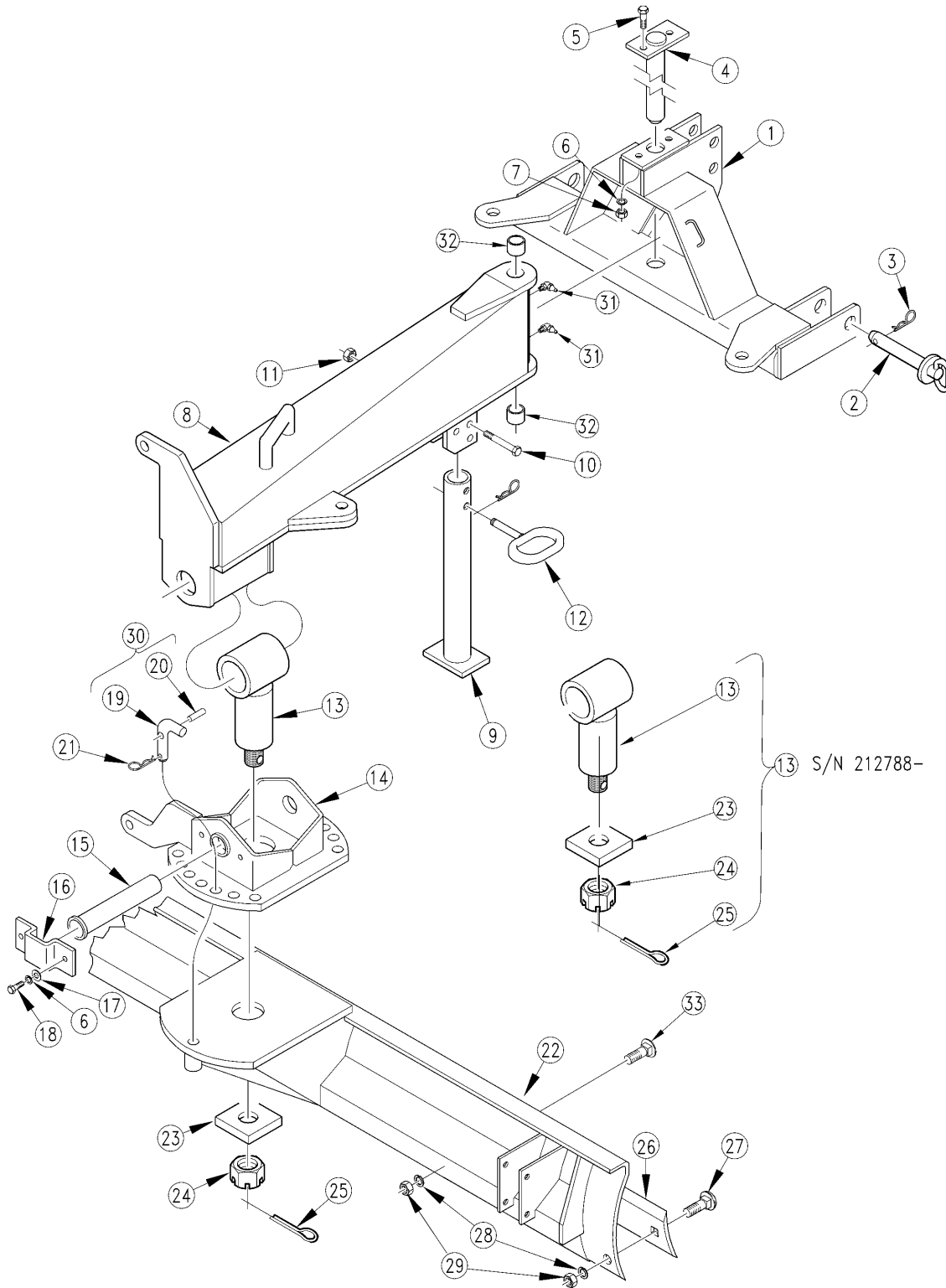
---

**Applies to RB3572, RB3584, RB3596**

Ref	Part No.	Part Description	Comments	Revision
	dwg13541	Drawing Image Number		
	301-330A	SKID SHOE ASSEMBLY	S/N 633207+ Includes 2 assemblies (1 Ass'y shown)	
	301-012A	SKID SHOE ASSEMBLY	S/N 633206- Includes 2 assemblies (1 Ass'y shown)	
		*		
1.	301-013H	SKID SHOE		
2.	801-046C	SCRW SET SQ HD1/2-13X2 GR5 PLT		
3.	803-020C	NUT HEX 1/2-13 PLT		
4.	301-331H	SKID SHOE MOUNT WELD ASSY	S/N 633207+	
4.	301-014H	SKID SHOE MOUNT WELDMENT	S/N 633206-	
5.	805-020C	PIN COTTER 1/4 X 1 PLT		

# Frame and Blade

Applies to RB45108, RB4596



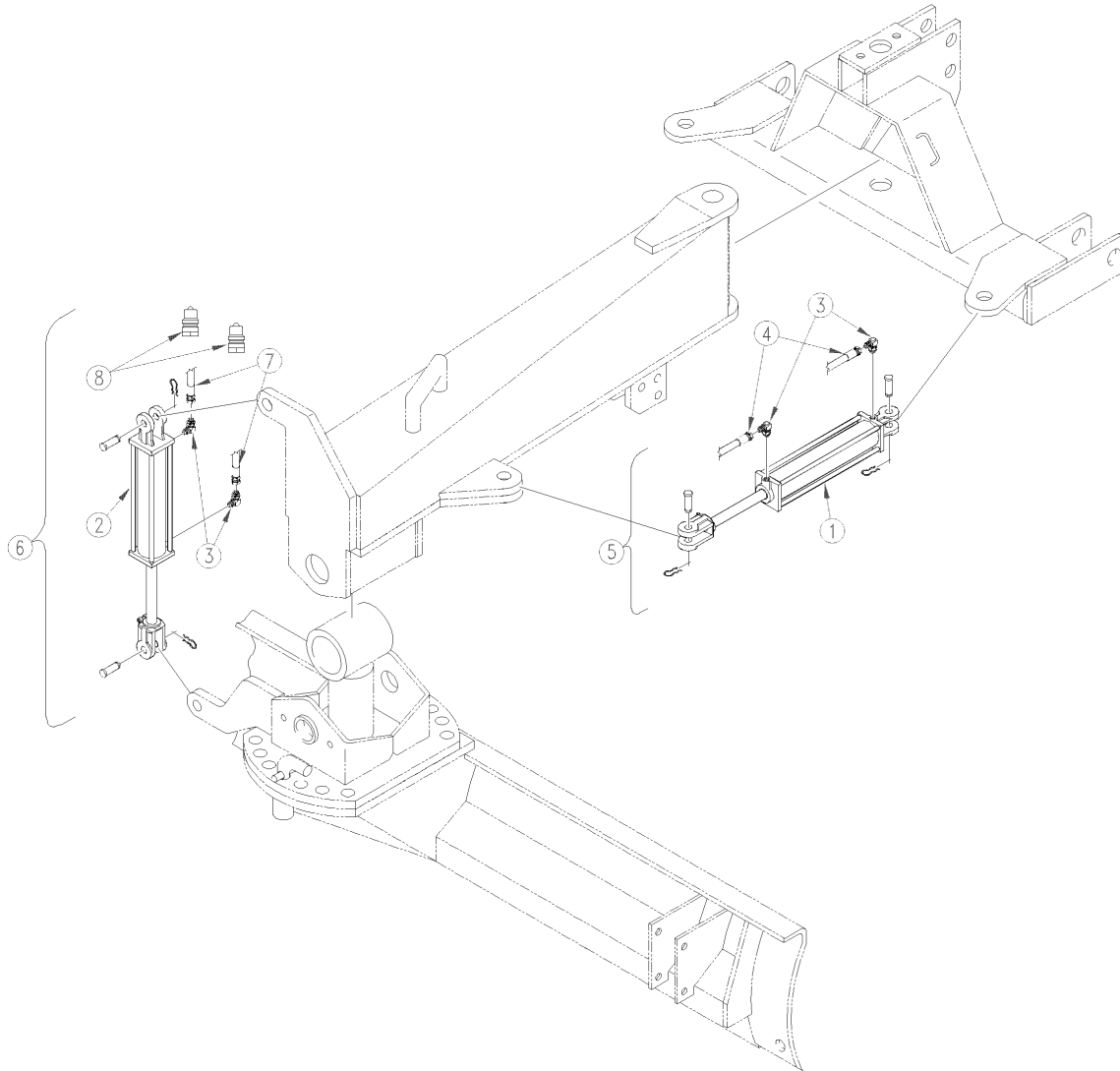
10348

**Frame and Blade****Applies to RB45108, RB4596**

Ref	Part No.	Part Description	Comments	Revision
	Dwg 10348	Drawing Image Number		
	300-168S	RB45 MAIN FRAME ASSEMBLY	Includes one of items 8 through 12 (Obsolete) Includes one of items 21; 22 part no.301-097H; 26 part no. 820-035C & ten of items 27; 28 and 29.	
	301-106A	45 SERIES 8' BLADE		
	301-107A	45 SERIES 9' BLADE	(Obsolete) Includes one of items 21; 22 part no.301-096H; 26 part no. 820-072C; 30 & eleven of items 27; 28 and 29.	
		*		
1.	300-085H	FRONT HITCH WELDMENT-45	Obsolete	
2.	805-008C	PIN HITCH 1 1/8 X 4 11/16 USEL		
3.	805-088C	PIN, HAIR COTTER 3/16 WIRE DIA		
4.	300-086H	FRONT PIVOT SHAFT WELD-45		
5.	802-091C	HHCS 1/2-13X1 1/2 GR5		
6.	804-015C	WASHER LOCK SPRING 1/2 PLT		
7.	803-020C	NUT HEX 1/2-13 PLT		
8.	300-084H	FRAME WELDMENT-45	Obsolete	
9.	300-087H	STAND PIPE WELD - 45		
10.	802-192C	HHCS 3/4-10X4 1/2 GR5		
11.	803-026C	NUT LOCK 3/4-10 PLT		
12.	805-081C	PIN HITCH 3/4 X 4 3/8		
13.	301-095H	TILT SHAFT WELD. - 45	Order as needed. Changed from 1" to 1 1/8" threads S/N 212789+	
13.	301-436A	TILT SHAFT W/ HARDWARE	S/N 212788-	
14.	301-094H	PIVOT HOUSING - 45	Obsolete	
15.	301-093H	TILT PIN WELDMENT - 45		
16.	301-087D	PIVOT PIN CAP		
17.	804-017C	WASHER FLAT 1/2 USS PLT		
18.	802-258C	HHCS 1/2-13X1 GR5		
19.	805-204C	PIN BENT 1 OD X 3 1/4 USABLE		Rev. 2
19.	301-109D	RPBY 805-204C		Rev 1; Use up stock
20.	805-117C	PIN ROLL 1/4 X 2 1/2 PLT		
21.	805-088C	PIN, HAIR COTTER 3/16 WIRE DIA	(S/N 313802+)	Rev. 2
21.	805-167C	PIN HAIR COTTER .243 WIRE PLT		
21.	805-040C	RPBY 805-167C	Obsolete (S/N 313801-)	Rev 1; Use up stock
22.	301-097H	8' BLADE PANEL - 45	Obsolete	
22.	301-096H	9' BLADE PANEL - 45	Obsolete	
23.	301-213D	PIVOT SHAFT WASHER-SMALL	(S/N 212789+)	Rev. 2 not compat. w/Rev. 1
23.	301-116D	PIVOT SHAFT WASHER-SMALL	(S/N 212788-)	Rev. 1
24.	803-296C	NUT HEX SLOTTED 1 1/8-12 PLT	(S/N 212789+)	Rev. 2 not compat. w/Rev. 1
24.	803-095C	NUT HEX SLOTTED 1-14	(S/N 212788-)	Rev. 1
25.	805-105C	PIN COTTER 1/4 X 2 1/2 PLT		
26.	820-035C	GRADER BLADE 1/2 X 6 X 95 1/2		
26.	820-072C	GRADER BLADE 1/2 X 6 X 107 1/2		
27.	802-206C	PLOW 5/8-11X1 3/4 GR5		
28.	804-022C	WASHER LOCK SPRING 5/8 PLT		
29.	803-021C	NUT HEX 5/8-11 PLT		
30.	301-104S	ROTATION PIN SUB - 45		
31.	800-073C	GREASE ZERK 1/4-28 X 90-DEG	(S/N 67000+)	
32.	890-126C	BUSHING PIVOT PIN 1 1/2 ID	(S/N 67000+)	
33.	802-288C	PLOW 5/8-11X2 GR5		

## Hydraulic Tilt and Off-Set

Applies to RB45108, RB4596



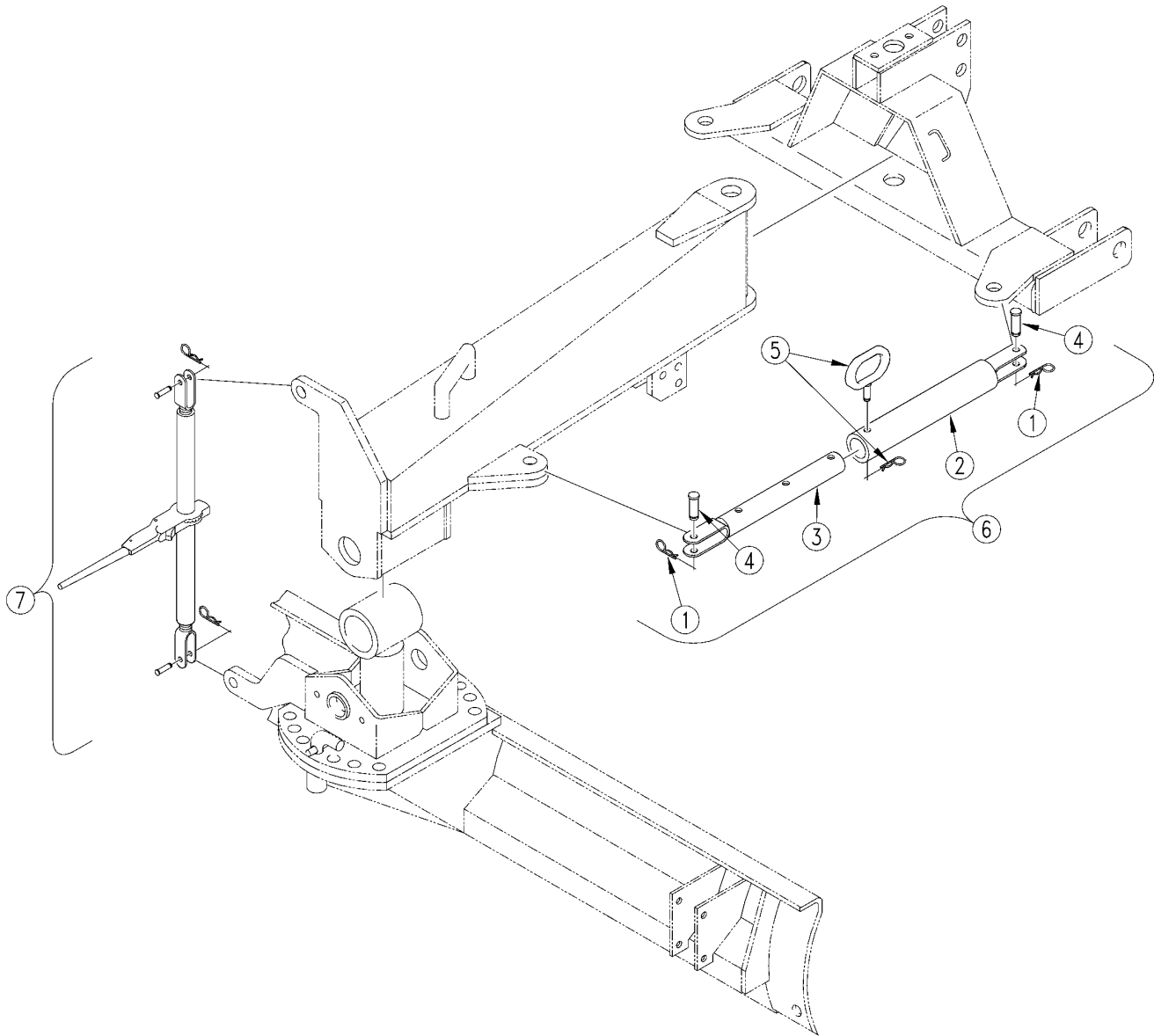
14942

***Hydraulic Tilt and Off-Set*****Applies to RB45108, RB4596**

<b>Ref</b>	<b>Part No.</b>	<b>Part Description</b>	<b>Comments</b>	<b>Revision</b>
	Dwg 14942	Drawing Image Number		
1.	810-111C	CYL 4X16X2 ROD (TIE ROD)		
2.	810-162C	CYL 3.5X8X1.25 ROD (TIE ROD)		Rev. 2
2.	810-104C	CYL 3.5X8X1.25 ROD (TIE) 1 PIN		Rev 1; Use up stock
3.	811-063C	EL 3/4MJIC 3/4MORB		
4.	841-089C	HH3/8R2 101 1/2MNPT 3/4FJIC	Lengthened for Quick Hitch Adaptability	
4.	811-257C	HH3/8R2 096 1/2MNPT 3/4FJIC		
5.	300-080A	HYD OFFSET BUNDLE 45-55		
6.	300-081A	HYD TILT BUNDLE 45-55		
7.	811-318C	HH3/8R2 114 1/2MNPT 3/4FJIC		
7.	841-088C	HH3/8R2 125 1/2MNPT 3/4FJIC	Lengthened for Quick Hitch Adaptability	
8.	811-394C	CP 3/4FORB MALE QD POPPET TYPE		

**Manual Tilt and Off-Set**

Applies to RB45108, RB4596



14941

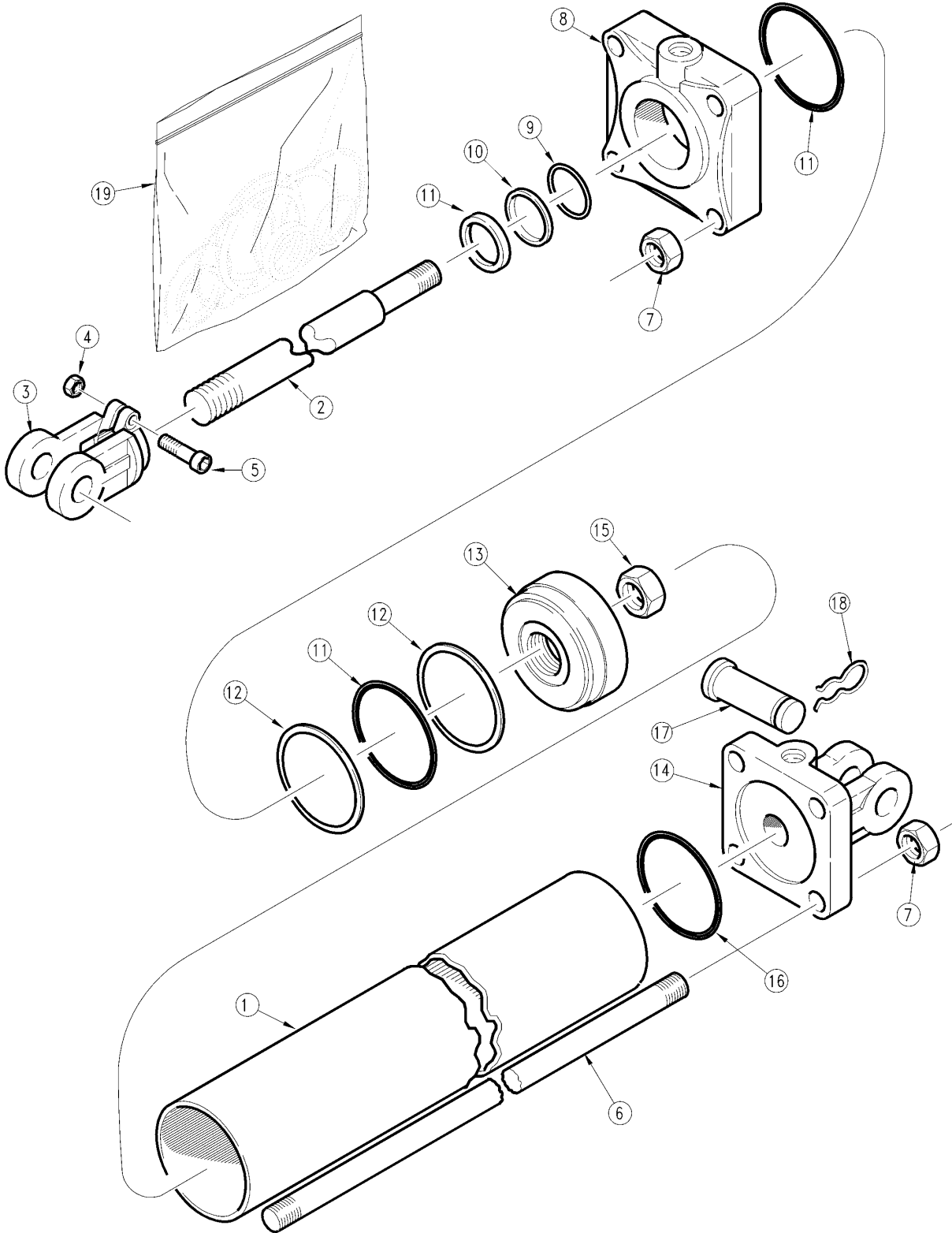


**Manual Tilt and Off-Set****Applies to RB45108, RB4596**

<b>Ref</b>	<b>Part No.</b>	<b>Part Description</b>	<b>Comments</b>	<b>Revision</b>
	dwg14941	Drawing Image Number		
1.	805-088C	PIN, HAIR COTTER 3/16 WIRE DIA		
2.	300-080H	OFF-SET OUTER TUBE-55	(S/N 71178+)	Rev. 2 not compat. w/Rev. 1
2.	300-089H	OFF-SET OUTER LINK WELD - 45	(S/N 71177-)	Rev. 1
3.	300-081H	OFF-SET SLIDE TUBE-55	(S/N 71178+)	Rev. 2 not compat. w/Rev. 1
3.	300-088H	OFF-SET INNER LINK WELD - 45	(S/N 71177-)	Rev. 1
4.	805-120C	PIN CLEVIS 1 1/4 X 3		
5.	805-077C	PIN HITCH 1 X 4 1/2 USABLE LG		
6.	N/A	OFF-SET LINK ASS'Y	(S/N 71178+)	
6.	300-099A	OFF-SET LINK ASS'Y - 45	(S/N 71177-)	
7.	890-177C	RATCHET JACK - HEAVY DUT		

# Hydraulic Cylinder (810-111C) Cross

Applies to RB45108, RB4596



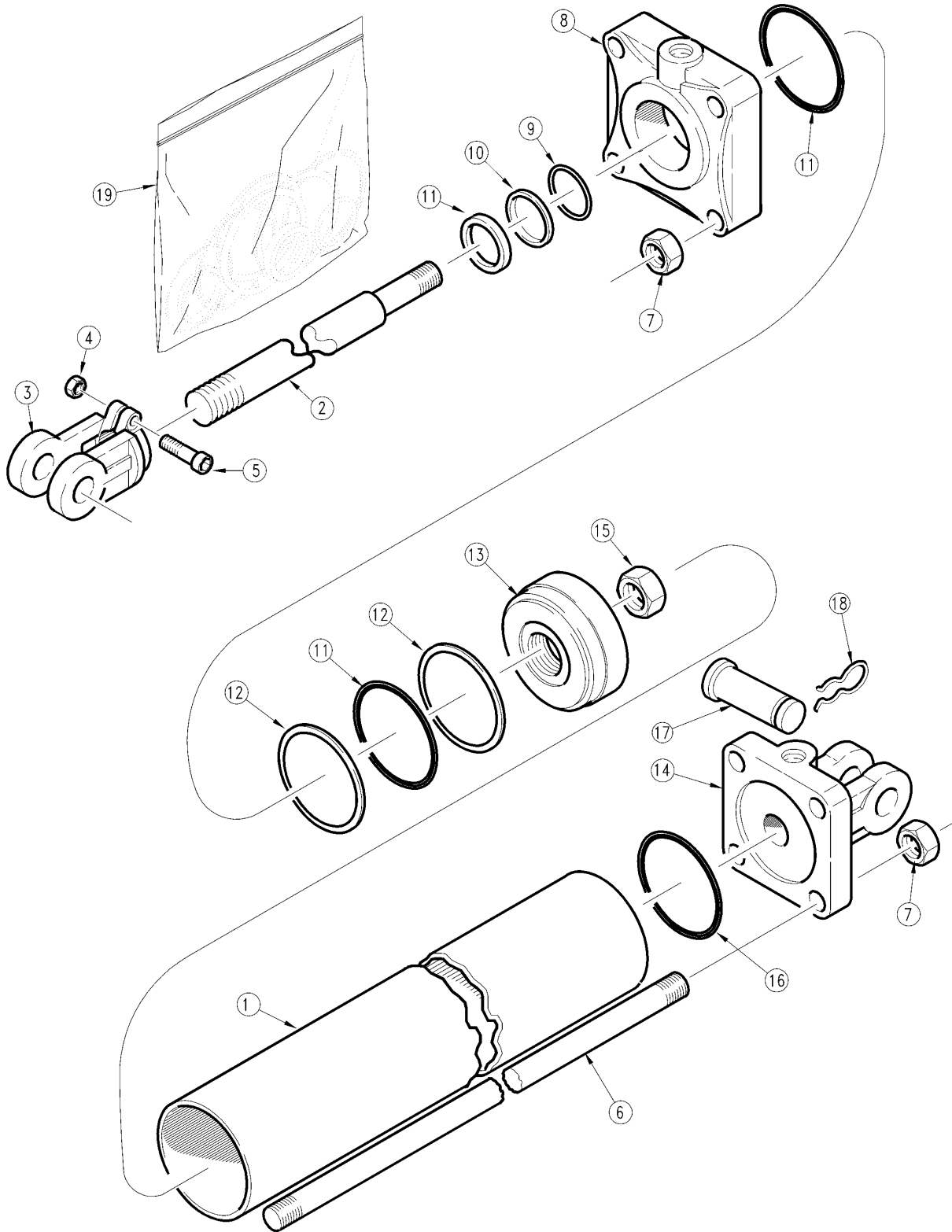
10219

**Hydraulic Cylinder (810-111C) Cross****Applies to RB45108, RB4596**

<b>Ref</b>	<b>Part No.</b>	<b>Part Description</b>	<b>Comments</b>	<b>Revision</b>
	dwg10219	Drawing Image Number		
	810-111C	CYL 4X16X2 ROD (TIE ROD)		
1.	1D0011-1812	TUBE CROSS		
2.	1D0210-2125	ROD CROSS		
3.	1D1013-12	CROSS ROD CLEVIS 4X16X2		
4.	2A0235-6	CROSS NUT, CLEVIS & TIE ROD		
5.	2A0079-616	CROSS SCREW, CAP		
6.	2A0582-2100	TIE ROD CROSS		
7.	2A0236-10	NUT CROSS		
8.	1D1161-26	HEAD CROSS		
9.		O-RING	Only found in seal kit 19.	
10.		BACKUP ROD	Only found in seal kit 19.	
11.		WIPER	Only found in seal kit 19.	
12.		O-RING	Only found in seal kit 19.	
13.	1D1401-400	PISTON CROSS		
14.	1D1511-17	CROSS BASE 4X16X2		
15.	2A0246-16	NUT CROSS		
16.		BACKUP PISTON	Only found in seal kit 19.	
17.	1D1551-20300	CROSS PIN CLEVIS		
18.	2A0308-1	CROSS PIN, CLIP		
19.	810-010C	CYL SEAL KIT 4 X 16 (CROSS)		

### Hydraulic Cylinder (810-111C) Midway

Applies to RB45108, RB4596



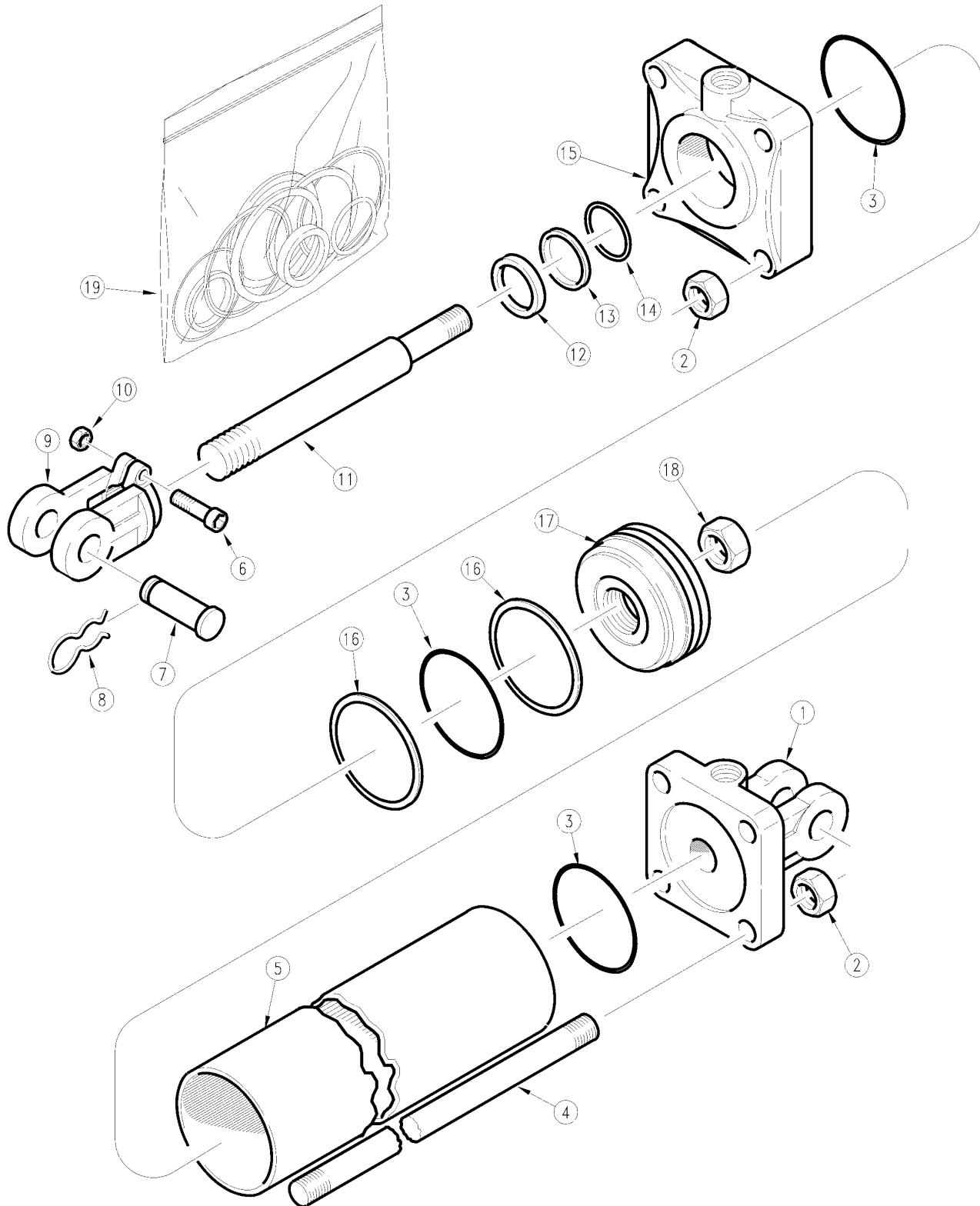
10219

**Hydraulic Cylinder (810-111C) Midway****Applies to RB45108, RB4596**

<b>Ref</b>	<b>Part No.</b>	<b>Part Description</b>	<b>Comments</b>	<b>Revision</b>
	dwg10219	Drawing Image Number		
	810-111C	CYL 4X16X2 ROD (TIE ROD)		
1.	5M6124	MW TUBE 4" X 16" CYLINDER		
2.	2M6676	MW ROD 2" DIA. X 16" STROKE		
3.	1M7020	MIDWAY ROD CLEVIS		
4.	2A0012	MW NUT CLEVIS & TIE ROD		
5.	2A0006	MW CAPSCREW		
6.	7M6324	MW TIE ROD 4 X 16 CYLINDER		
7.	2A0018	MW TIE ROD NUT		
8.	3M6612	MW HEAD 4 X 24 X 2 ROD		
9.		O-RING	Only found in seal kit 19.	
10.		BACKUP ROD	Only found in seal kit 19.	
11.		WIPER	Only found in seal kit 19.	
12.		O-RING	Only found in seal kit 19.	
13.	4M6102	MW PISTON 4" DIA.		
14.	6M6168	MIDWAY BASE		
15.	2A0024	MW PISTON NUT 1"-14		
16.		BACKUP PISTON	Only found in seal kit 19.	
17.	2A0216	MIDWAY CLEVIS PIN		
18.	2A0132	MW PIN CLIP		
19.	810-010C	CYL SEAL KIT 4 X 16 (CROSS)		

# Hydraulic Cylinder (810-162C) Cross

Applies to RB45108, RB4596



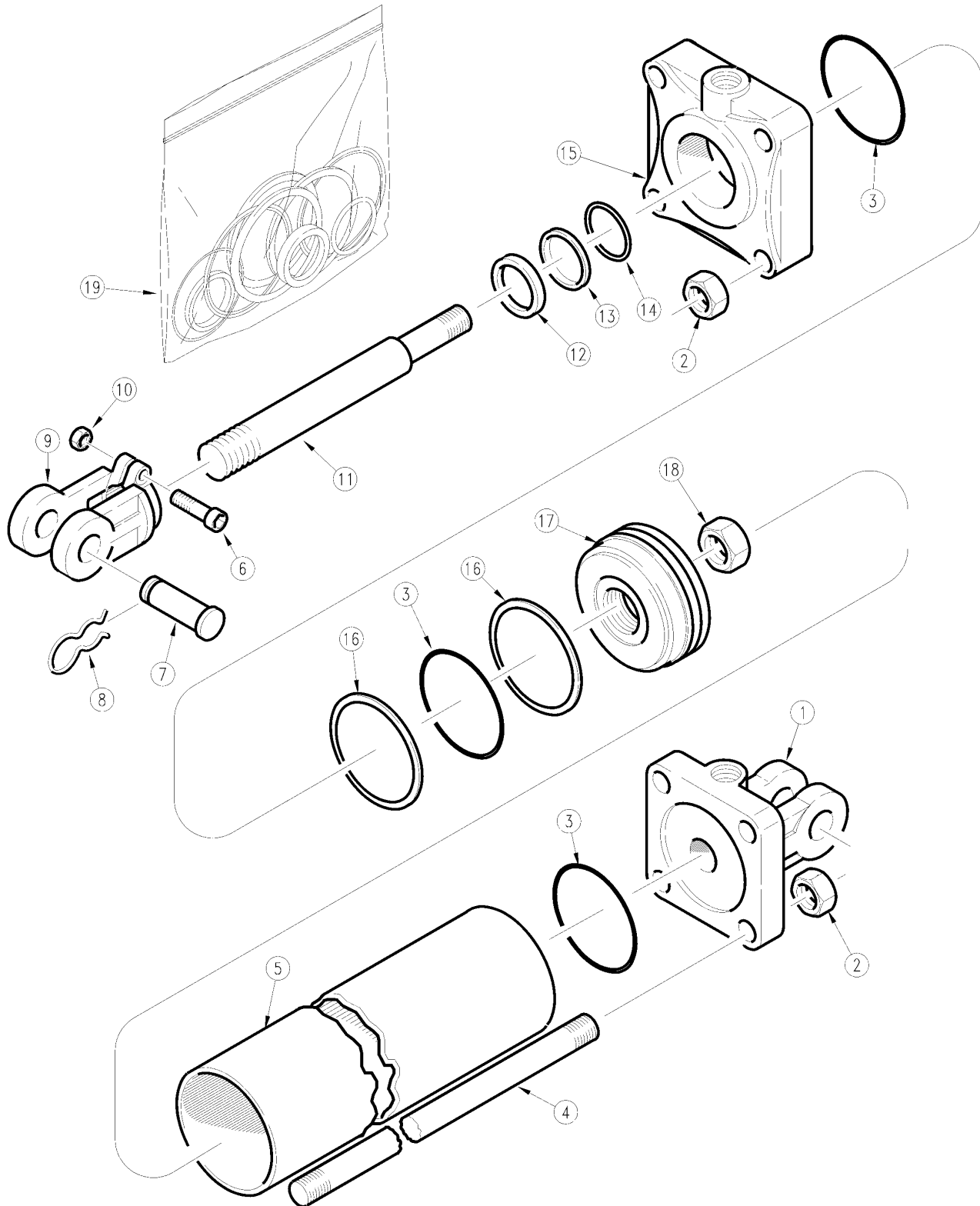
11421

**Hydraulic Cylinder (810-162C) Cross****Applies to RB45108, RB4596**

<b>Ref</b>	<b>Part No.</b>	<b>Part Description</b>	<b>Comments</b>	<b>Revision</b>
	dwg11421	Drawing Image Number		
	810-162C	CYL 3.5X8X1.25 ROD (TIE ROD)		
1.	1D1509-4	BASE CROSS		
2.	2A0236-9	TIE ROD NUT CROSS		
3.		O-RING	Only found in seal kit 19.	
4.	2A0581-1325	TIE ROD CROSS		
5.	1D0009-1050	TUBE CROSS		
6.	2A0079-616	CROSS SCREW, CAP		
7.	1D1551-16275	CROSS CLEVIS PIN		
8.	2A0308-1	CROSS PIN, CLIP		
9.	1D1003-5	CROSS ROD CLEVIS		
10.	2A0235-6	CROSS NUT, CLEVIS & TIE ROD		
11.	1D0205-1262	ROD CROSS		
12.		WIPER	Only found in seal kit 19.	
13.		BACKUP ROD	Only found in seal kit 19.	
14.		O-RING	Only found in seal kit 19.	
15.	1D1159-4	HEAD CROSS		
16.		BACKUP PISTON	Only found in seal kit 19.	
17.	1D1401-350	PISTON CROSS		
18.	1A1141	PISTON NUT CROSS		
19.	810-146C	SEAL KIT CROSS 3.5 CYL 1C4429		

### Hydraulic Cylinder (810-162C) Midway

Applies to RB45108, RB4596



11421

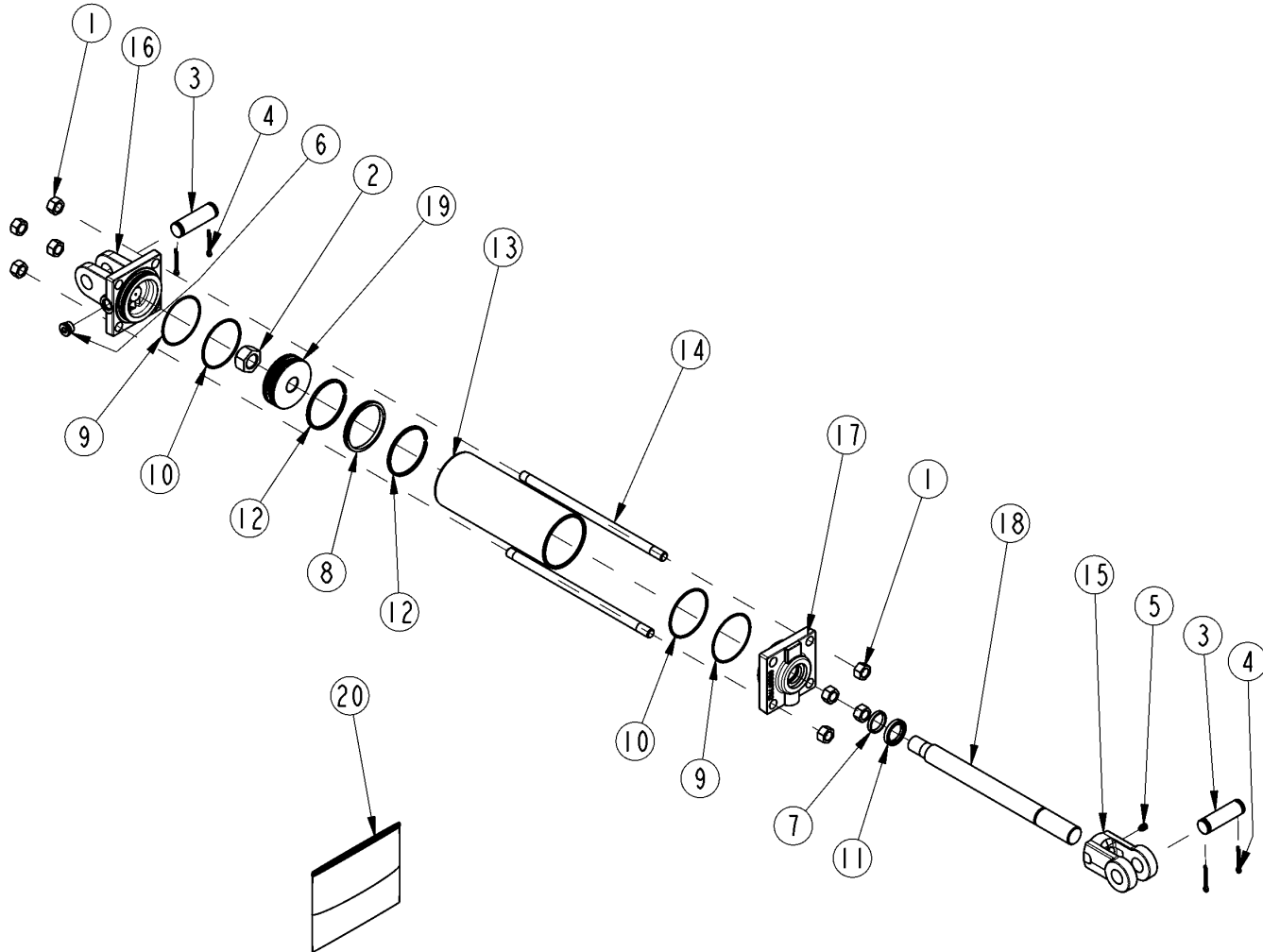


**Hydraulic Cylinder (810-162C) Midway****Applies to RB45108, RB4596**

Ref	Part No.	Part Description	Comments	Revision
	Dwg 11421 810-162C	Drawing Image Number CYL 3.5X8X1.25 ROD (TIE ROD) *		
1.	6M5142	MW BASE (STD. 1" PIN)		
2.	2A0016	MW TIE ROD NUT		
3.		O-RING	Only found in seal kit 19.	
4.	7M5316	MW ROD		
5.	5M5116	MW TUBE 3 1/2 X 8 CYLINDER		
6.	2A0006	MW CAPSCREW		
7.	2A0208	MW CLEVIS PIN		
8.	2A0132	MW PIN CLIP		
9.	1M6010	MW CLEVIS STD. DUTY		
10.	2A0012	MW NUT CLEVIS & TIE ROD		
11.	2M5416	MW ROD		
12.		WIPER	Only found in seal kit 19.	
13.		BACKUP ROD	Only found in seal kit 19.	
14.		O-RING	Only found in seal kit 19.	
15.	3M5408	MW HEAD		
16.		BACKUP PISTON	Only found in seal kit 19.	
17.	4M5108	MW PISTON	Obsolete	
17.	4M5102	RPBY 4M5108		
18.	2A0024	MW PISTON NUT 1"-14		
19.	810-149C	SEAL KIT 810-104C MW 3A5102		

# Hydraulic Cylinder (810-162C) Red Lion

Applies to RB45108, RB4596



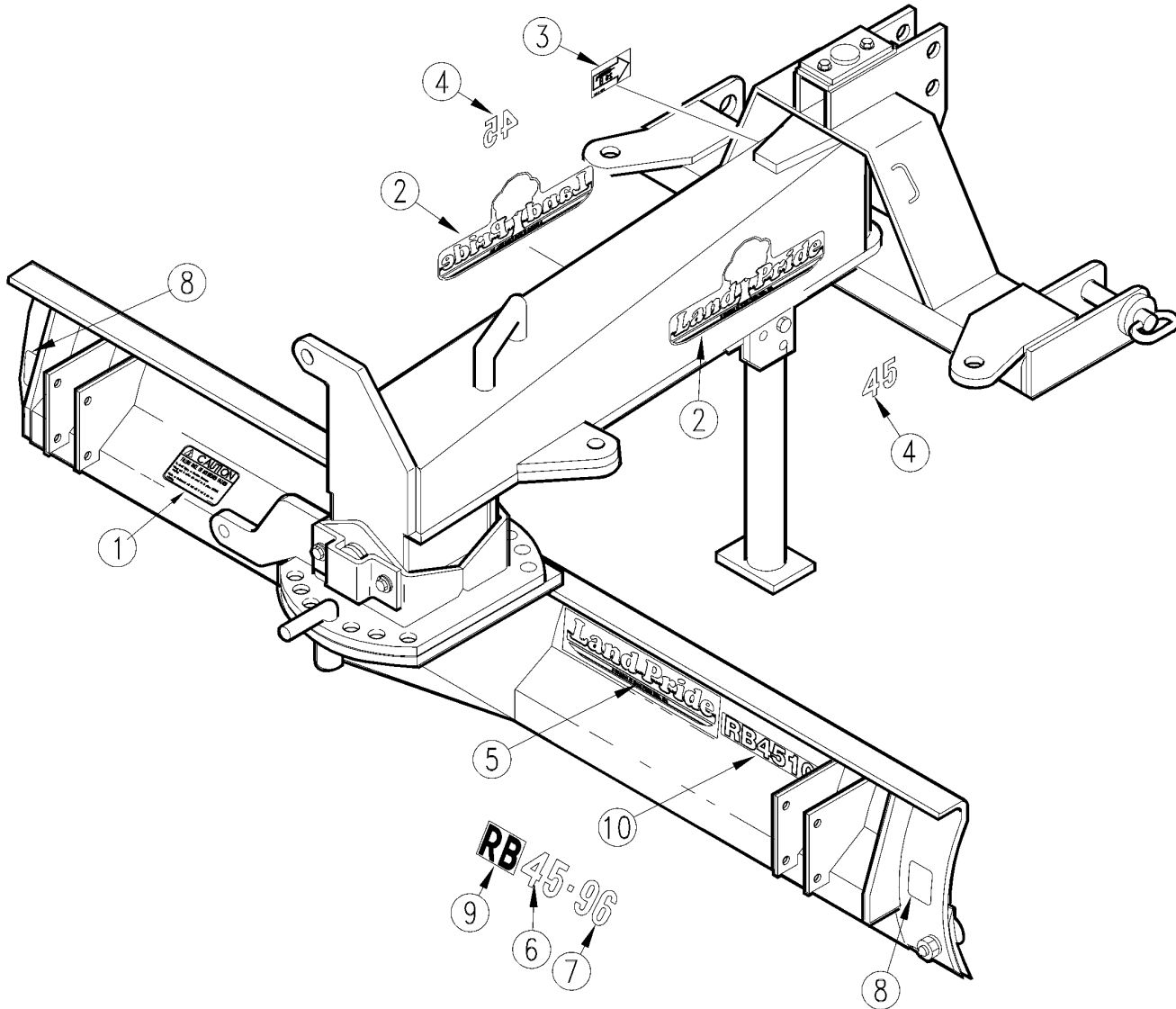
25900

**Hydraulic Cylinder (810-162C) Red Lion****Applies to RB45108, RB4596**

Ref	Part No.	Part Description	Comments	Revision
	dwg25900	Drawing Image Number		
	810-162C	CYL 3.5X8X1.25 ROD (TIE ROD) *		
1.	803-022C	NUT HEX 5/8-18 PLT		
2.	130560	MON PISTON NUT		
3.	134953	LION PIN		
4.	135995	MON CLEVIS PIN COTTER		
5.	801-023C	SCREW SET SH 3/8-16X3/8 TYPE C		
6.	186562	LION PLUG 3/4-16UNF SOCKET HD		
7.	N/A	MON ROD SEAL	Only Found in Kit #20	
8.	N/A	MON PISTON SEAL (PSP)	Only Found in Kit #20	
9.	N/A	LION B.U. WASHER 073-236	Only Found in Kit #20	
10.	N/A	MON END CAP O-RING	Only Found in Kit #20	
11.	N/A	SEAL WIPER ROD	Only Found in Kit #20	
12.	N/A	MON PISTON WEAR RING	Only Found in Kit #20	
13.	491798	LION CYL. TUBE 3.5 X 8		
14.	492338	LION TIE ROD 5/8 X 8		
15.	492652	LION ROD CLEVIS 1 1/4 (1PIN)		
16.	492676	LION CLEVIS CAP 3.5 ORB		
17.	494286	MON ROD CAP3.5-1.25-3/4ORB-TSS		
18.	492700	LION ROD 1.25 DIA. ASAE 8		
19.	258827	MON PISTN 3.50-1.00-TSS-ISO-WR		
20.	810-888C	MON SEAL KIT 661703		

## Decal Placement

Applies to RB45108, RB4596



***Decal Placement*****Applies to RB45108, RB4596**

<b>Ref</b>	<b>Part No.</b>	<b>Part Description</b>	<b>Comments</b>	<b>Revision</b>
	Dwg 17579	Drawing Image Number		
1.	818-202C	DECAL CAUTION FALL MBOARD/RAKE		
2.	818-893C	RPBY 838-964C	(S/N 254320+)	Rev. 2 not compat. w/Rev. 1
2.	838-964C	DECAL LP 16" W/TREE BROWN/GOLD		
2.	818-162C	LP LOGO LARGE GREEN	(S/N 254319-)	Rev. 1
3.	818-138C	DECAL GREASE EVERY 25 HOURS		
4.	818-196C	DECAL 45 SERIES BLACK	No longer used	
5.	838-966C	DECAL LANDPRIDE 22" BROWN/GOLD	(S/N _____+)	
5.	818-902C	RPBY 838-965C	(S/N 254320 to _____)	Rev. 2 not compat. w/Rev. 1
5.	838-965C	DECAL LANDPRIDE 16" BROWN/GOLD		
5.	818-163C	LP LOGO LARGE BUCKSKIN	(S/N 254319-)	Rev. 1
6.	818-198C	DECAL 45 SERIES BUCKSKIN	(S/N 254319-)	
7.	818-112C	DECAL 96 LP - BUCKSKIN	(S/N 254319-)	
7.	818-200C	DECAL 108 LP BUCKSKIN	(S/N 254319-)	
8.	818-230C	DECAL RED REFLECTOR		
9.	818-726C	DECAL RB LAND PRIDE BUCKSKIN	(S/N 254319-)	
10.	818-985C	N/A	Obsolete (S/N 254320+)	
10.	818-986C	DECAL RB45108-BEIGE	(S/N 254320+)	

***Touch-up Paints - LP***

---

Applies to RB45108, RB4596

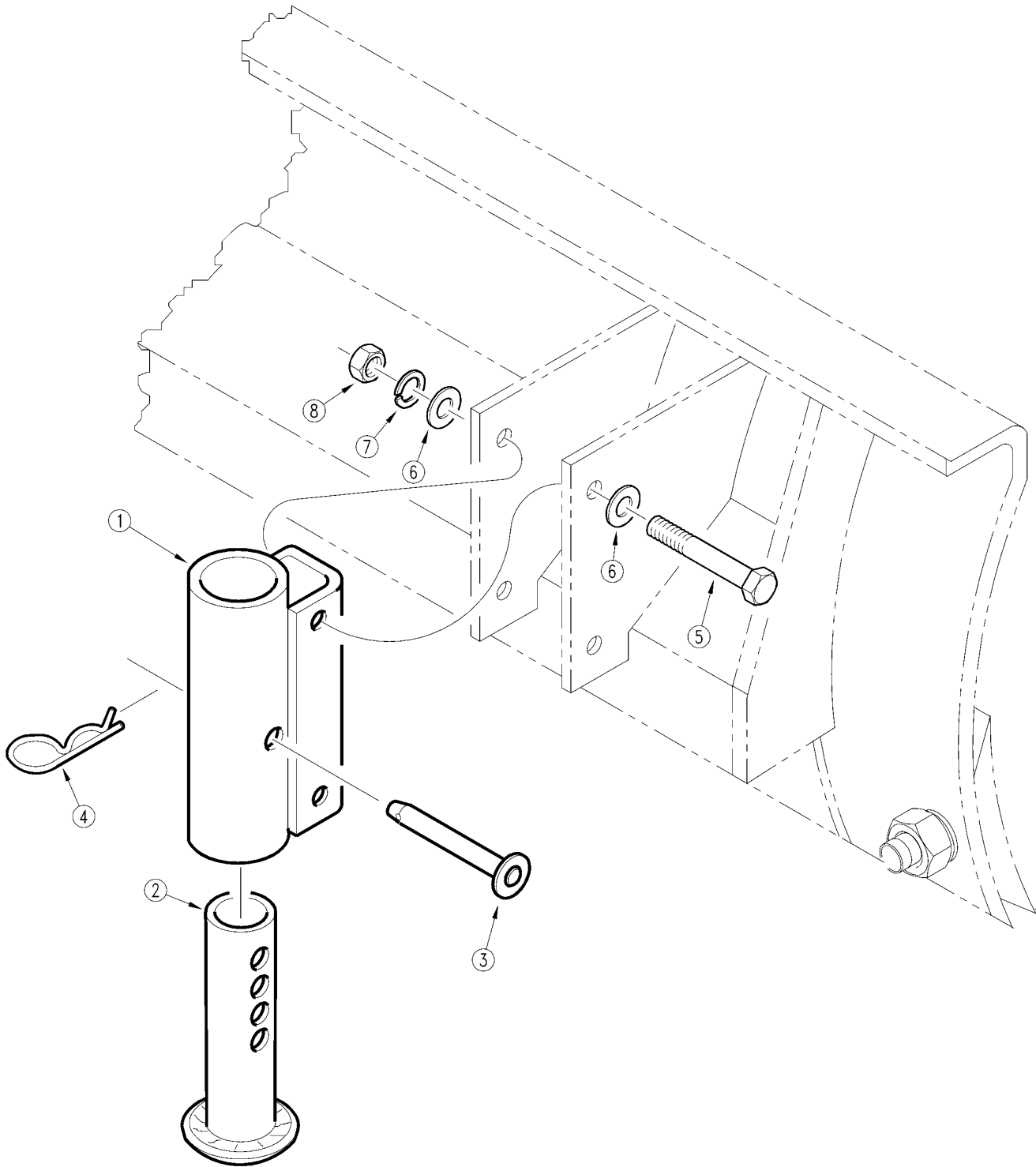
**No diagram associated with this Parts List**

***Touch-up Paints - LP*****Applies to RB45108, RB4596**

<b>Ref</b>	<b>Part No.</b>	<b>Part Description</b>	<b>Comments</b>	<b>Revision</b>
1.	821-011C	LP BEIGE SPRAY CAN	Spray can	
1.	821-011CTU	LP BEIGE TOUCH-UP 5OZ	Touch-up bottle with brush	
1.	821-011CQT	LP BEIGE QUART	Quart can	
1.	821-011CGL	LP BEIGE GALLON	Gallon can	
2.	821-070C	GLOSS BLACK SPRAY CAN	Spray can	
2.	821-070CTU	GLOSS BLACK TOUCH-UP 5OZ	Touch-up bottle with brush	
2.	821-070CQT	GLOSS BLACK QUART	Quart can	
2.	821-070CGL	GLOSS BLACK GALLON	Gallon can	
3.	821-054C	MED. RED SPRAY TRCK/CTR	Spray can	
3.	821-054CTU	MED RED TOUCH-UP 5OZ	Touch-up bottle with brush	
3.	821-054CQT	MED RED QUART	Quart can	
3.	821-054CGL	MED RED GALLON	Gallon can	
4.	821-058C	GREEN SPRAY CUTTERS	Spray can	
4.	821-058CTU	GREEN TOUCH-UP 5OZ	Touch-up bottle with brush	
4.	821-058CQT	GREEN QUART	Quart can	
4.	821-058CGL	GREEN GALLON	Gallon can	
5.	821-066C	ORANGE SPRAY CAN	Spray can	
5.	821-066CTU	ORANGE TOUCH-UP 5OZ	Touch-up bottle with brush	
5.	821-066CQT	ORANGE QUART	Quart can	
5.	821-066CGL	ORANGE GALLON	Gallon can	
6.	821-067C	BLUE SPRAY CAN	Spray can	
6.	821-067CTU	BLUE TOUCH-UP 5OZ	Touch-up bottle with brush	
6.	821-067CQT	BLUE QUART	Quart can	
6.	821-067CGL	BLUE GALLON	Gallon can	
7.	821-080C	PAINT ALUMINUM/ZINC SPRAY CAN	Spray can	
7.	821-080CTU	PAINT ALUMINUM/ZINC TOUCH UP	Touch-up bottle with brush	
7.	821-080CQT	PAINT ALUMINUM/ZINC QUART	Quart can	
7.	821-080CGL	PAINT ALUMINUM/ZINC GALLON	Gallon can	

# Skid Shoes

Applies to RB45108, RB4596



10350



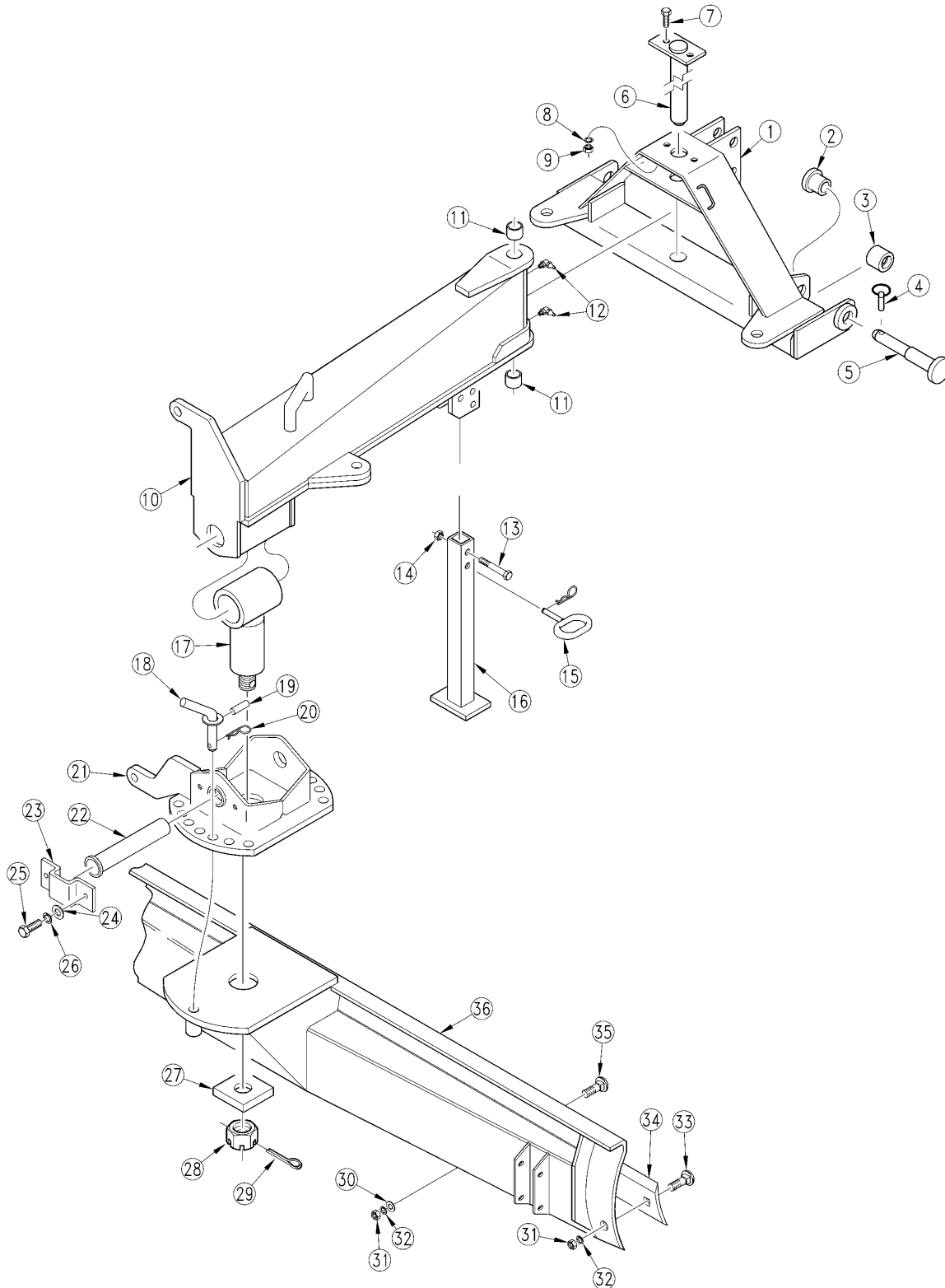
## Skid Shoes

### Applies to RB45108, RB4596

Ref	Part No.	Part Description	Comments	Revision
	dwg10350	Drawing Image Number		
	301-110A	SKID SHOE ASS'Y	Includes 2 of items 1-8	
1.	301-111H	SKID SHOE MOUNT		
2.	301-112H	SKID SHOE		
3.	805-417C	PIN CLVS .63X3.77 USBL		
4.	805-032C	PIN HAIR COTTER .148 WIRE		Rev. 2
4.	805-088C	PIN, HAIR COTTER 3/16 WIRE DIA		Rev 1; Use up stock
5.	802-249C	HHCS 1/2-13X4 1/2 GR5 SPTH		
6.	804-017C	WASHER FLAT 1/2 USS PLT		
7.	804-015C	WASHER LOCK SPRING 1/2 PLT		
8.	803-020C	NUT HEX 1/2-13 PLT		

### Frame and Blade

Applies to RB55108, RB55120, RB5596



10352

**Frame and Blade****Applies to RB55108, RB55120, RB5596**

Ref	Part No.	Part Description	Comments	Revision
	Dwg 10352	Drawing Image Number		
	300-169S	RB55 MAIN FRAME ASSEMBLY	Includes 10 through 16 & 37; 38 & 39.	
	301-140A	55 SERIES 8' BLADE	Includes 30 through 36 & 40 through 44.	
	301-108A	55 SERIES 9' BLADE ASS'Y	Includes 30 through 36 & 40 through 44.	
	301-109A	55 SERIES 10' BLADE ASS'Y	Includes 30 through 36 & 40 through 44.	
	300-116B	55RB HARDWARE BAG *	Includes 2 through 5.	
1.	300-095H	FRONT HITCH WELDMENT-55		
2.	300-318D	HITCH BUSHING	(S/N 103859+)	Rev. 2 not compat. w/Rev. 1
2.	300-263D	HITCH BUSHING	(S/N 103858-)	Rev. 1
3.	316-100D	HITCH SPACER	(S/N 127907+)	Rev. 2 not compat. w/Rev. 1
3.	300-262D	HITCH SPACER	(S/N 127906-)	Rev. 1
4.	805-103C	PIN LYNCH 7/16 X 1 3/4		
5.	316-099D	HITCH PIN	(S/N 127907+)	Rev. 3 not compat. w/Rev. 2
5.	300-317D	HITCH PIN	(S/N 103859 <-> 127906)	Rev. 2 not compat. w/Rev. 1
5.	300-236D	HITCH PIN	(S/N 103858-)	Rev. 1
6.	300-096H	FRONT PIVOT SHAFT-55		
7.	802-082C	HHCS 1/2-13X1 3/4 GR5		Rev. 2
7.	802-091C	HHCS 1/2-13X1 1/2 GR5		Rev 1; Use up stock
8.	804-015C	WASHER LOCK SPRING 1/2 PLT		
9.	803-020C	NUT HEX 1/2-13 PLT		
10.	300-093H	MAIN FRAME WELDMENT-55		
11.	890-051C	BUSHING 2 1/4 OD X 2 ID X 2 LG	(S/N 67000+)	
12.	800-073C	GREASE ZERK 1/4-28 X 90-DEG	(S/N 67000+)	
13.	802-192C	HHCS 3/4-10X4 1/2 GR5		
14.	803-026C	NUT LOCK 3/4-10 PLT		
15.	805-081C	PIN HITCH 3/4 X 4 3/8		
16.	300-097H	PARKING STAND - 55		
17.	301-099H	TILT SHAFT WELDMENT-55	If you have S/N 103858-, you must also order 301-150D item 27.	
18.	805-201C	PIN 1 1/4OD X 4 5/16 USBL PLT		Rev. 3
18.	301-103H	RPBY 805-201C		Rev 2; Use up stock
18.	301-089D	RPBY 805-201C		Rev 1; Use up stock
19.	805-117C	PIN ROLL 1/4 X 2 1/2 PLT	(S/N 37860-)	
20.	805-167C	PIN HAIR COTTER .243 WIRE PLT		
20.	805-040C	RPBY 805-167C	Obsolete	
21.	301-098H	PIVOT HOUSING -55	Obsolete	
22.	301-102H	PIVOT SHAFT - 55		
23.	301-087D	PIVOT PIN CAP		
24.	804-017C	WASHER FLAT 1/2 USS PLT		
25.	802-258C	HHCS 1/2-13X1 GR5		
26.	804-015C	WASHER LOCK SPRING 1/2 PLT		
27.	301-150D	PIVOT SHAFT WASHER-LARGE	(S/N 103859+)	Rev. 2 not compat. w/Rev. 1
27.	301-088D	PIVOT SHAFT WASHER - LARGE	(S/N 103858-)	Rev. 1
28.	803-160C	CASTLE NUT 1 1/2-12		
29.	805-148C	PIN COTTER 3/8 X 3 PLT		
30.	804-021C	WASHER FLAT 5/8 SAE PLT		
31.	803-021C	NUT HEX 5/8-11 PLT		
32.	804-022C	WASHER LOCK SPRING 5/8 PLT		
33.	802-206C	PLOW 5/8-11X1 3/4 GR5		
34.	820-035C	GRADER BLADE 1/2 X 6 X 95 1/2		
34.	820-072C	GRADER BLADE 1/2 X 6 X 107 1/2		
34.	820-073C	GRADER BLADE 1/2 X 6 X 119 1/2		
35.	802-288C	PLOW 5/8-11X2 GR5		

***Frame and Blade (continued)***

---

**Applies to RB55108, RB55120, RB5596**

<b>Ref</b>	<b>Part No.</b>	<b>Part Description</b>	<b>Comments</b>	<b>Revision</b>
36.	301-139H	8' BLADE PANEL - 55	Obsolete	
36.	301-101H	9' BLADE PANEL-55	Obsolete	
36.	301-100H	10 BLADE PANEL-55	Obsolete	

***Frame and Blade (continued)***

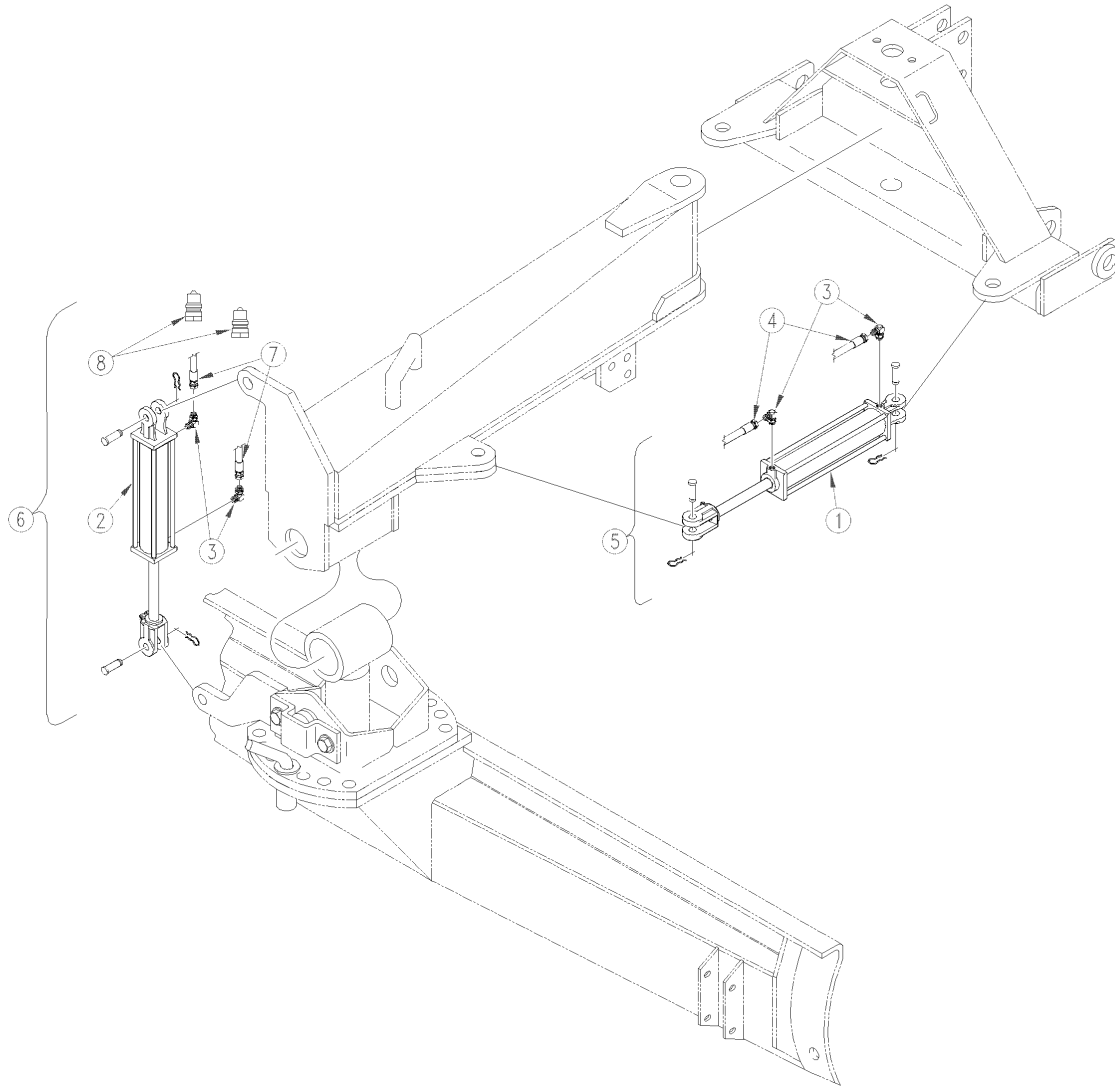
---

Applies to RB55108, RB55120, RB5596

***This Page Intentionally Left Blank***

### ***Tilt and Off-Set Hydraulic***

**Applies to RB55108, RB55120, RB5596**



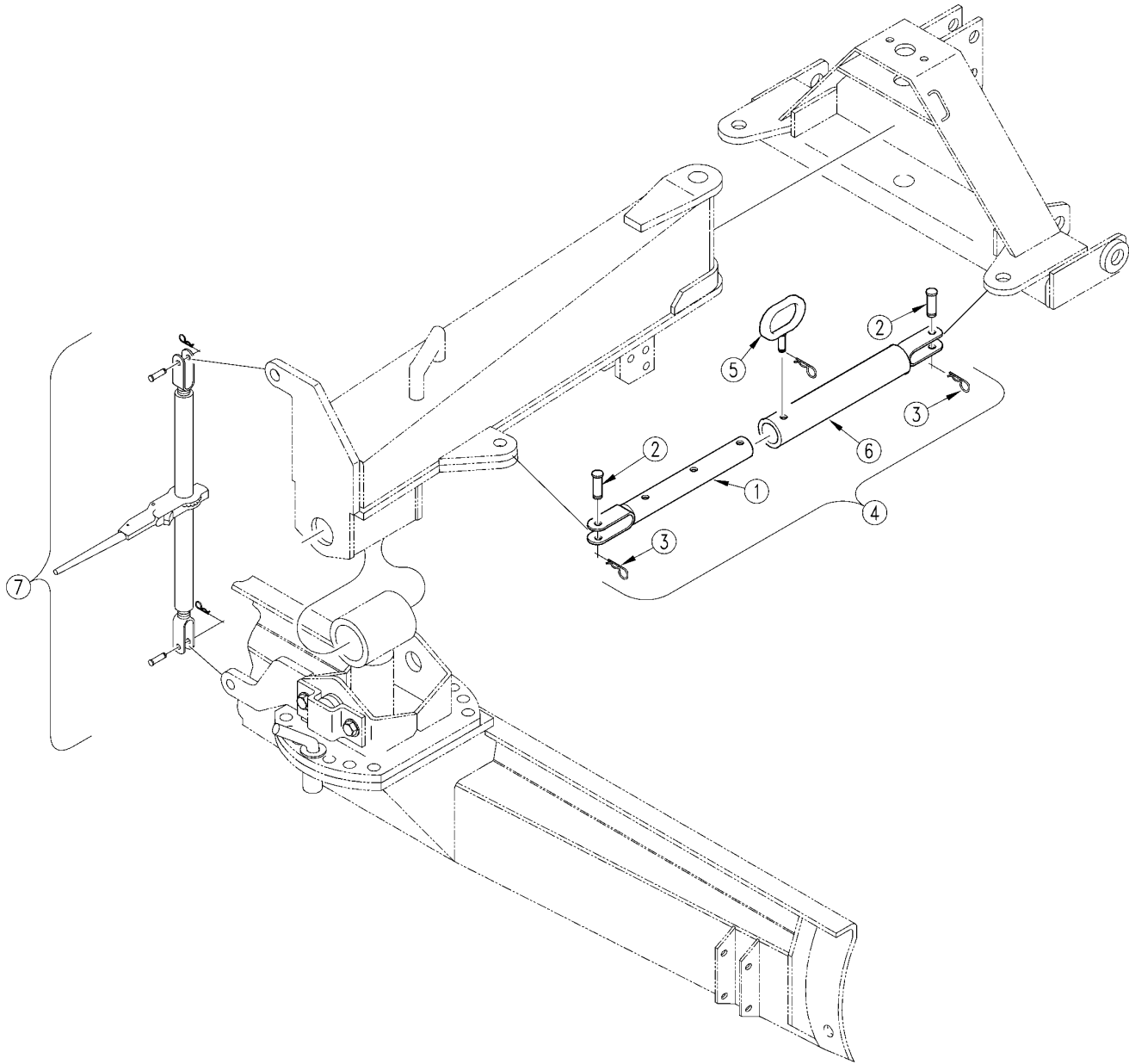
14954

***Tilt and Off-Set Hydraulic*****Applies to RB55108, RB55120, RB5596**

<b>Ref</b>	<b>Part No.</b>	<b>Part Description</b>	<b>Comments</b>	<b>Revision</b>
	Dwg 14954	Drawing Image Number		
1.	810-111C	CYL 4X16X2 ROD (TIE ROD)		
2.	810-162C	CYL 3.5X8X1.25 ROD (TIE ROD)	(S/N 73497-) (S/N 76846+)	Rev. 3
2.	810-035C	CYL REP 3.75X8X1.37 ROD	(S/N 73498 <-> 76845)	Rev 2; Use up stock
2.	810-104C	CYL 3.5X8X1.25 ROD (TIE) 1 PIN		Rev 1; Use up stock
3.	811-063C	EL 3/4MJIC 3/4MORB		
4.	841-089C	HH3/8R2 101 1/2MNPT 3/4FJIC	Lengthened for Quick Hitch Adaptability	
4.	811-257C	HH3/8R2 096 1/2MNPT 3/4FJIC		
5.	300-080A	HYD OFFSET BUNDLE 45-55		
6.	300-081A	HYD TILT BUNDLE 45-55		
7.	841-088C	HH3/8R2 125 1/2MNPT 3/4FJIC	Lengthened for Quick Hitch Adaptability	
7.	811-318C	HH3/8R2 114 1/2MNPT 3/4FJIC		
8.	811-394C	CP 3/4FORB MALE QD POPPET TYPE		

**Tilt and Off-Set Manual**

Applies to RB55108, RB55120, RB5596



11488



***Tilt and Off-Set Manual***

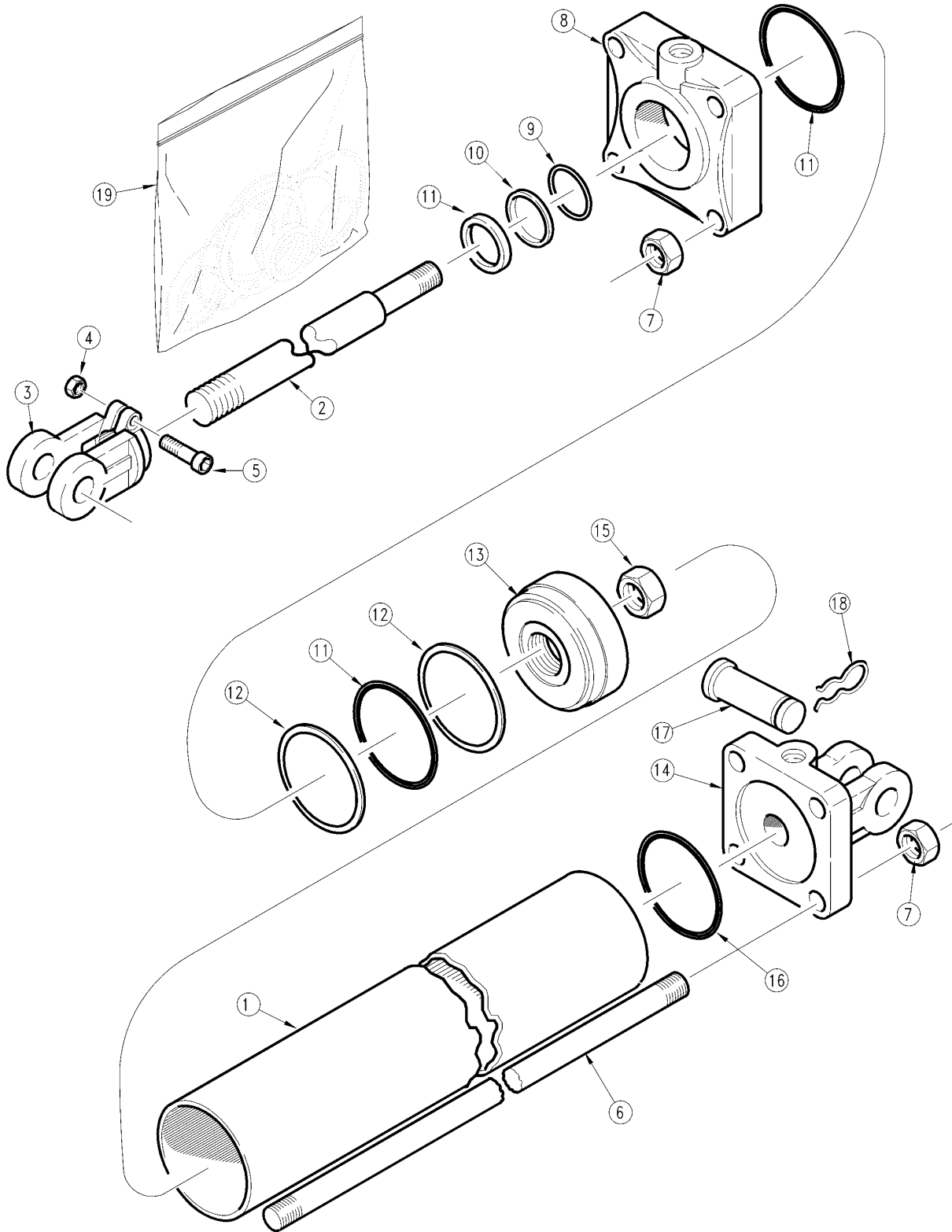
---

**Applies to RB55108, RB55120, RB5596**

<b>Ref</b>	<b>Part No.</b>	<b>Part Description</b>	<b>Comments</b>	<b>Revision</b>
	dwg11488	Drawing Image Number		
1.	300-081H	OFF-SET SLIDE TUBE-55		
2.	805-120C	PIN CLEVIS 1 1/4 X 3		
3.	805-088C	PIN, HAIR COTTER 3/16 WIRE DIA		
4.	N/A	OFF-SET LINK ASS'Y		
5.	805-077C	PIN HITCH 1 X 4 1/2 USABLE LG		
6.	300-080H	OFF-SET OUTER TUBE-55		
7.	890-177C	RATCHET JACK - HEAVY DUT		

### Hydraulic Cylinder (810-111C) Cross

Applies to RB55108, RB55120, RB5596



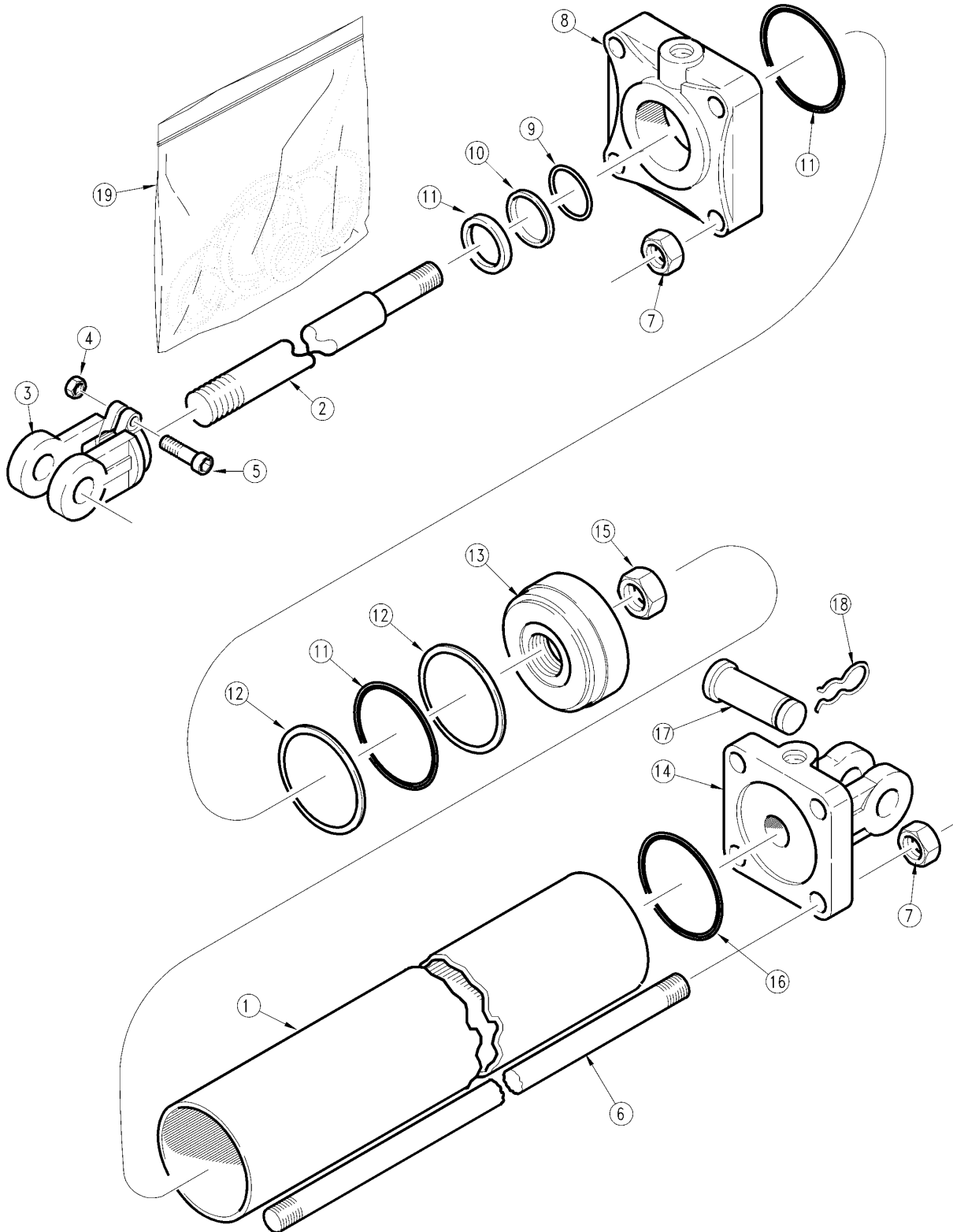
10219

**Hydraulic Cylinder (810-111C) Cross****Applies to RB55108, RB55120, RB5596**

<b>Ref</b>	<b>Part No.</b>	<b>Part Description</b>	<b>Comments</b>	<b>Revision</b>
	dwg10219	Drawing Image Number		
	810-111C	CYL 4X16X2 ROD (TIE ROD)		
1.	1D0011-1812	TUBE CROSS		
2.	1D0210-2125	ROD CROSS		
3.	1D1013-12	CROSS ROD CLEVIS 4X16X2		
4.	2A0235-6	CROSS NUT, CLEVIS & TIE ROD		
5.	2A0079-616	CROSS SCREW, CAP		
6.	2A0582-2100	TIE ROD CROSS		
7.	2A0236-10	NUT CROSS		
8.	1D1161-26	HEAD CROSS		
9.		O-RING	Only found in seal kit 19	
10.		BACKUP ROD	Only found in seal kit 19	
11.		WIPER	Only found in seal kit 19	
12.		O-RING	Only found in seal kit 19.	
13.	1D1401-400	PISTON CROSS		
14.	1D1511-17	CROSS BASE 4X16X2		
15.	2A0246-16	NUT CROSS		
16.		BACKUP PISTON	Only found in seal kit 19	
17.	1D1551-20300	CROSS PIN CLEVIS		
18.	2A0308-1	CROSS PIN, CLIP		
19.	810-010C	CYL SEAL KIT 4 X 16 (CROSS)		

### Hydraulic Cylinder (810-111C) Midway

Applies to RB55108, RB55120, RB5596



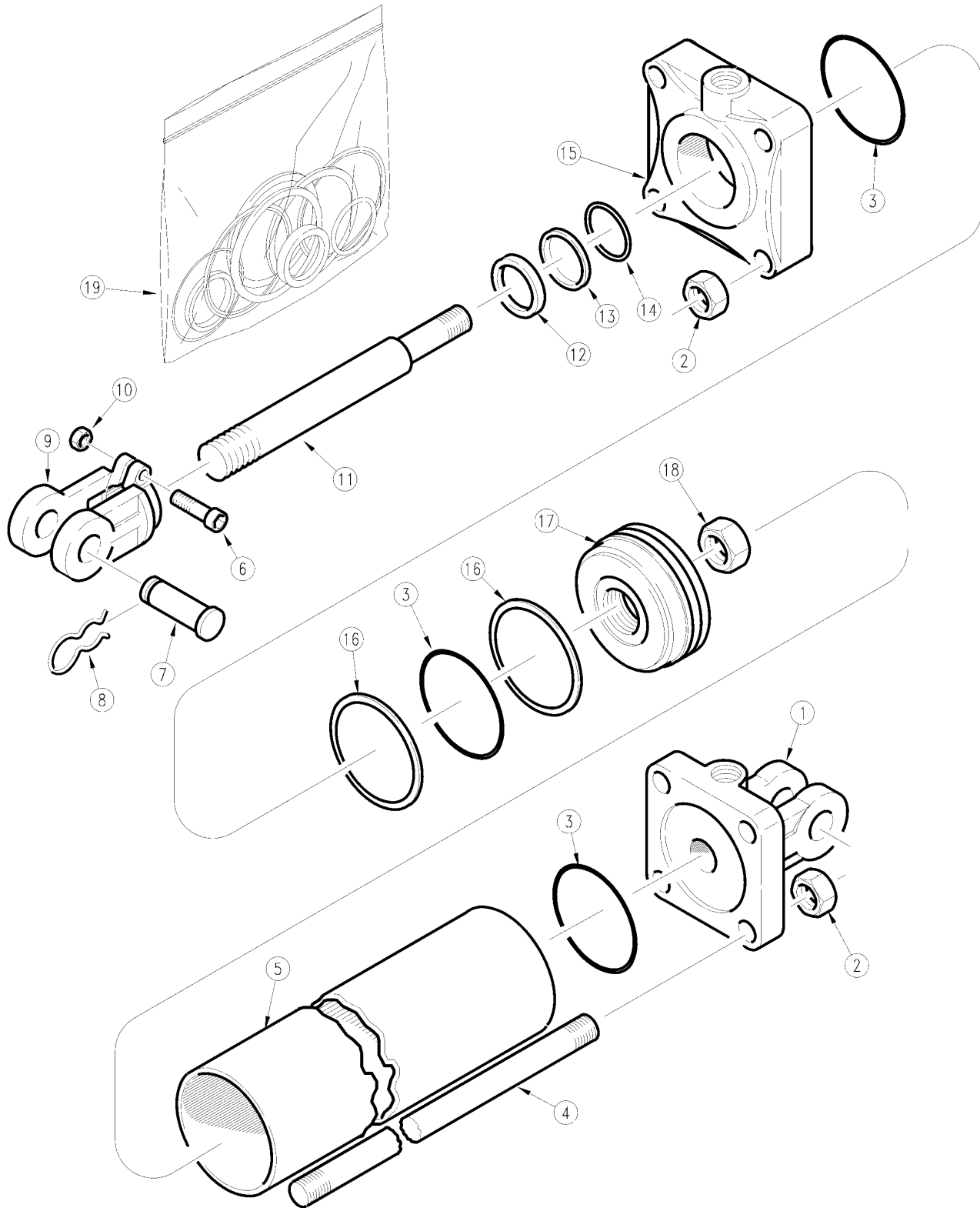
10219

**Hydraulic Cylinder (810-111C) Midway****Applies to RB55108, RB55120, RB5596**

<b>Ref</b>	<b>Part No.</b>	<b>Part Description</b>	<b>Comments</b>	<b>Revision</b>
	dwg10219	Drawing Image Number		
	810-111C	CYL 4X16X2 ROD (TIE ROD)		
1.	5M6124	MW TUBE 4" X 16" CYLINDER		
2.	2M6676	MW ROD 2" DIA. X 16" STROKE		
3.	1M7020	MIDWAY ROD CLEVIS		
4.	2A0012	MW NUT CLEVIS & TIE ROD		
5.	2A0006	MW CAPSCREW		
6.	7M6324	MW TIE ROD 4 X 16 CYLINDER		
7.	2A0018	MW TIE ROD NUT		
8.	3M6612	MW HEAD 4 X 24 X 2 ROD		
9.		O-RING	Only found in seal kit 19	
10.		BACKUP ROD	Only found in seal kit 19	
11.		WIPER	Only found in seal kit 19	
12.		O-RING	Only found in seal kit 19	
13.	4M6102	MW PISTON 4" DIA.		
14.	6M6168	MIDWAY BASE		
15.	2A0024	MW PISTON NUT 1"-14		
16.		BACKUP PISTON	Only found in seal kit 19	
17.	2A0216	MIDWAY CLEVIS PIN		
18.	2A0132	MW PIN CLIP		
19.	810-010C	CYL SEAL KIT 4 X 16 (CROSS)		

# Hydraulic Cylinder (810-162C) Cross

Applies to RB55108, RB55120, RB5596



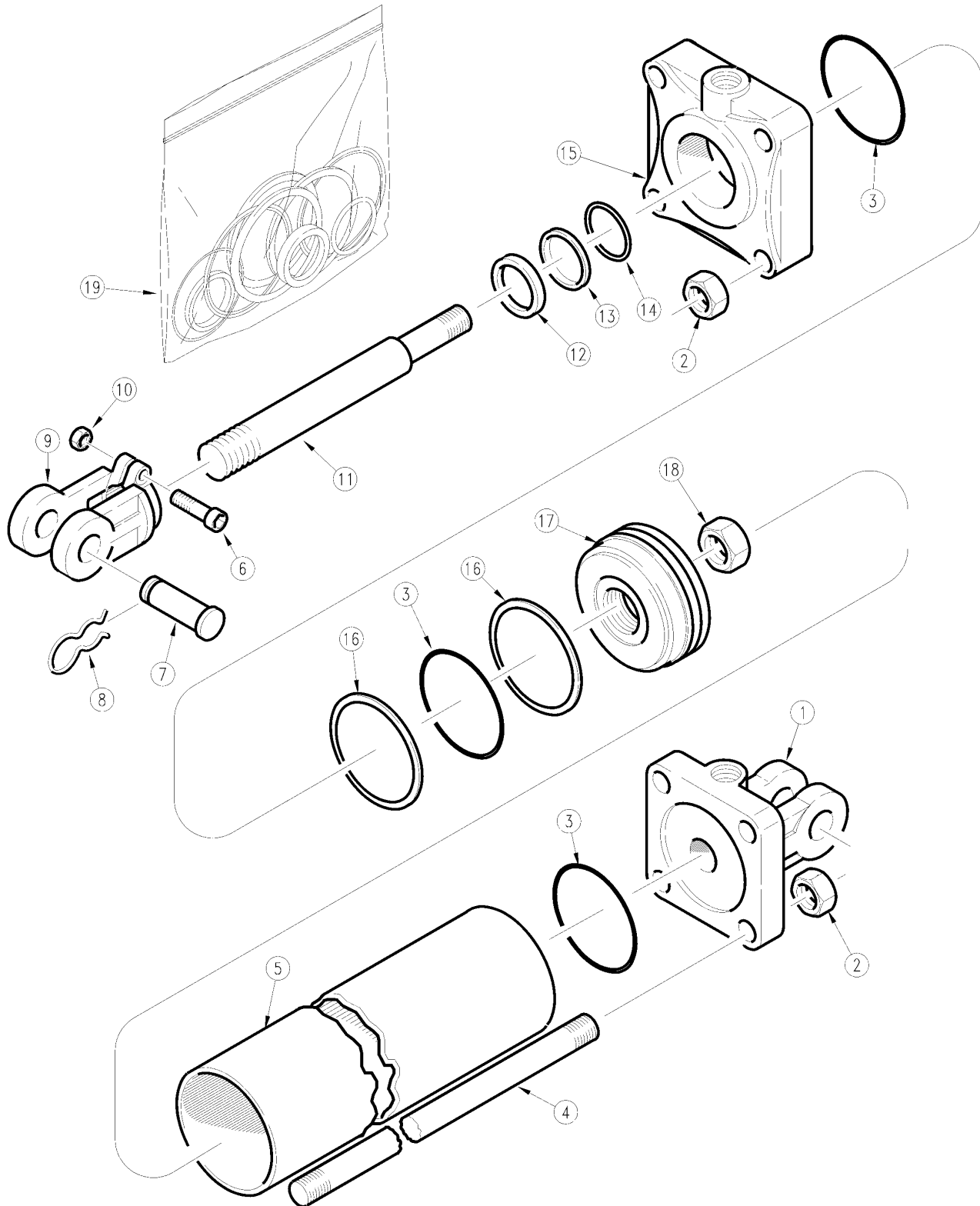
11421

**Hydraulic Cylinder (810-162C) Cross****Applies to RB55108, RB55120, RB5596**

<b>Ref</b>	<b>Part No.</b>	<b>Part Description</b>	<b>Comments</b>	<b>Revision</b>
	dwg11421	Drawing Image Number		
	810-162C	CYL 3.5X8X1.25 ROD (TIE ROD)		
1.	1D1509-4	BASE CROSS		
2.	2A0236-9	TIE ROD NUT CROSS		
3.		O-RING	Only found in seal kit 19	
4.	2A0581-1325	TIE ROD CROSS		
5.	1D0009-1050	TUBE CROSS		
6.	2A0079-616	CROSS SCREW, CAP		
7.	1D1551-16275	CROSS CLEVIS PIN		
8.	2A0308-1	CROSS PIN, CLIP		
9.	1D1003-5	CROSS ROD CLEVIS		
10.	2A0235-6	CROSS NUT, CLEVIS & TIE ROD		
11.	1D0205-1262	ROD CROSS		
12.		WIPER	Only found in seal kit 19	
13.		BACKUP ROD	Only found in seal kit 19	
14.		O-RING	Only found in seal kit 19	
15.	1D1159-4	HEAD CROSS		
16.		BACKUP PISTON	Only found in seal kit 19	
17.	1D1401-350	PISTON CROSS		
18.	1A1141	PISTON NUT CROSS		
19.	810-146C	SEAL KIT CROSS 3.5 CYL 1C4429		

### Hydraulic Cylinder (810-162C) Midway

Applies to RB55108, RB55120, RB5596



11421

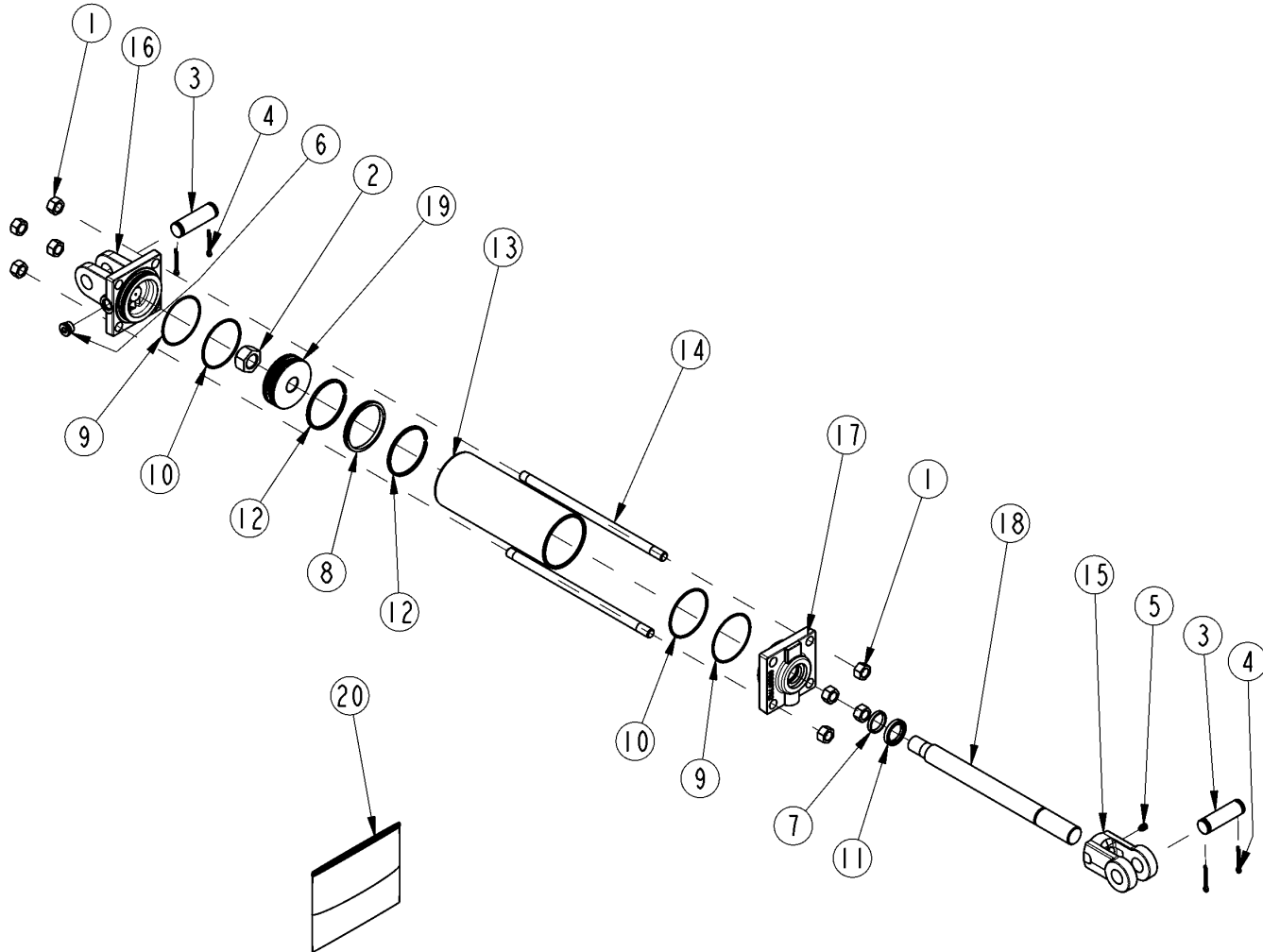


**Hydraulic Cylinder (810-162C) Midway****Applies to RB55108, RB55120, RB5596**

<b>Ref</b>	<b>Part No.</b>	<b>Part Description</b>	<b>Comments</b>	<b>Revision</b>
	Dwg 11421 810-162C	Drawing Image Number CYL 3.5X8X1.25 ROD (TIE ROD) *		
1.	6M5142	MW BASE (STD. 1" PIN)		
2.	2A0016	MW TIE ROD NUT		
3.		O-RING	Only found in seal kit 19	
4.	7M5316	MW ROD		
5.	5M5116	MW TUBE 3 1/2 X 8 CYLINDER		
6.	2A0006	MW CAPSCREW		
7.	2A0208	MW CLEVIS PIN		
8.	2A0132	MW PIN CLIP		
9.	1M6010	MW CLEVIS STD. DUTY		
10.	2A0012	MW NUT CLEVIS & TIE ROD		
11.	2M5416	MW ROD		
12.		WIPER	Only found in seal kit 19	
13.		BACKUP ROD	Only found in seal kit 19	
14.		O-RING	Only found in seal kit 19	
15.	3M5408	MW HEAD		
16.		BACKUP PISTON	Only found in seal kit 19	
17.	4M5108	MW PISTON	Obsolete	
17.	4M5102	RPBY 4M5108		
18.	2A0024	MW PISTON NUT 1"-14		
19.	810-149C	SEAL KIT 810-104C MW 3A5102		

### Hydraulic Cylinder (810-162C) Red Lion

Applies to RB55108, RB55120, RB5596



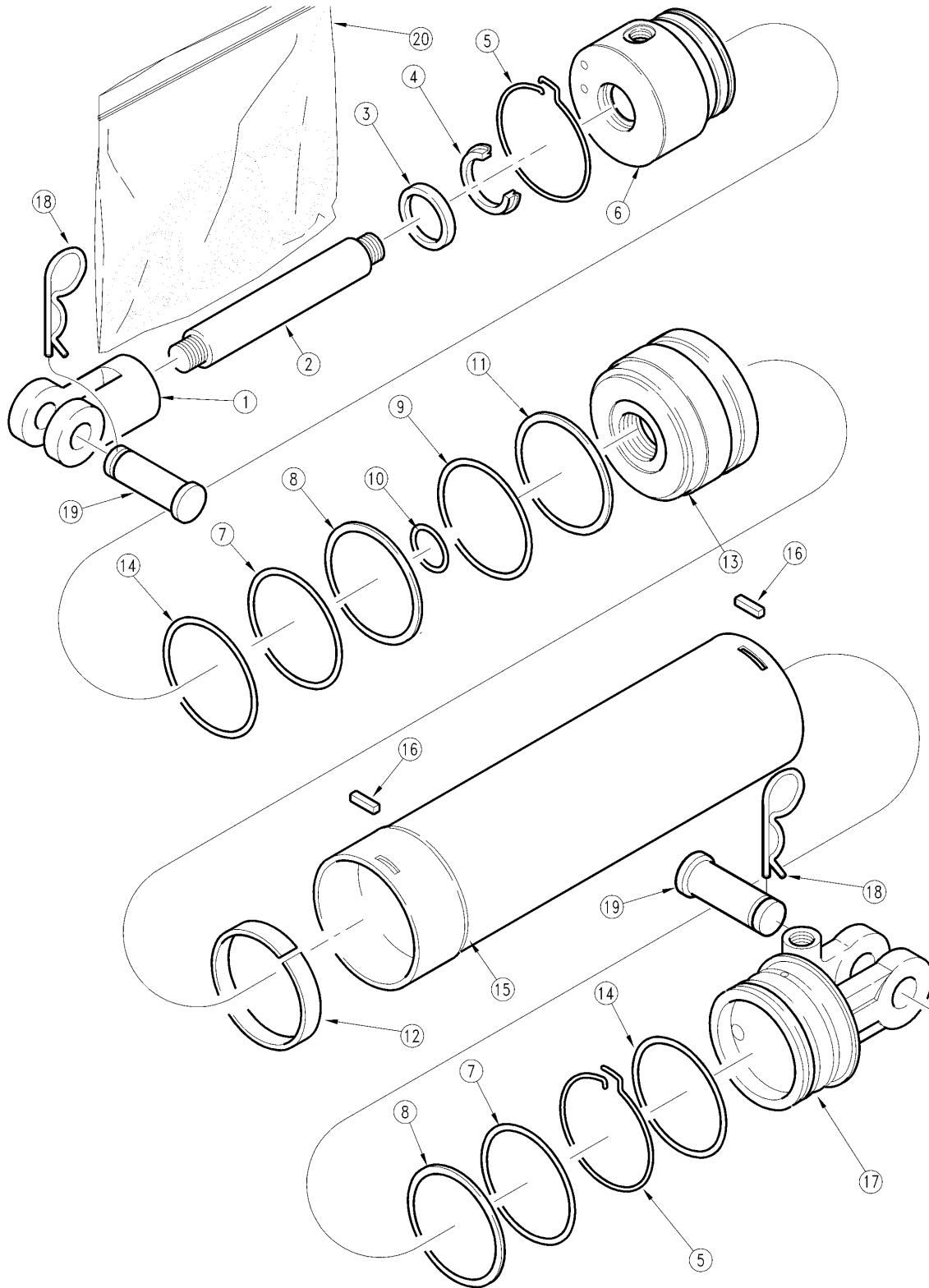
25900

**Hydraulic Cylinder (810-162C) Red Lion****Applies to RB55108, RB55120, RB5596**

Ref	Part No.	Part Description	Comments	Revision
	dwg25900	Drawing Image Number		
	810-162C	CYL 3.5X8X1.25 ROD (TIE ROD) *		
1.	803-022C	NUT HEX 5/8-18 PLT		
2.	130560	MON PISTON NUT		
3.	134953	LION PIN		
4.	135995	MON CLEVIS PIN COTTER		
5.	801-023C	SCREW SET SH 3/8-16X3/8 TYPE C		
6.	186562	LION PLUG 3/4-16UNF SOCKET HD		
7.	N/A	MON ROD SEAL	Only Found in Kit #20	
8.	N/A	MON PISTON SEAL (PSP)	Only Found in Kit #20	
9.	N/A	LION B.U. WASHER 073-236	Only Found in Kit #20	
10.	N/A	MON END CAP O-RING	Only Found in Kit #20	
11.	N/A	SEAL WIPER ROD	Only Found in Kit #20	
12.	N/A	MON PISTON WEAR RING	Only Found in Kit #20	
13.	491798	LION CYL. TUBE 3.5 X 8		
14.	492338	LION TIE ROD 5/8 X 8		
15.	492652	LION ROD CLEVIS 1 1/4 (1PIN)		
16.	492676	LION CLEVIS CAP 3.5 ORB		
17.	494286	MON ROD CAP3.5-1.25-3/4ORB-TSS		
18.	492700	LION ROD 1.25 DIA. ASAE 8		
19.	258827	MON PISTN 3.50-1.00-TSS-ISO-WR		
20.	810-888C	MON SEAL KIT 661703		

### Hydraulic Cylinder (Rephasing) (810-035C)

Applies to RB55108, RB55120, RB5596



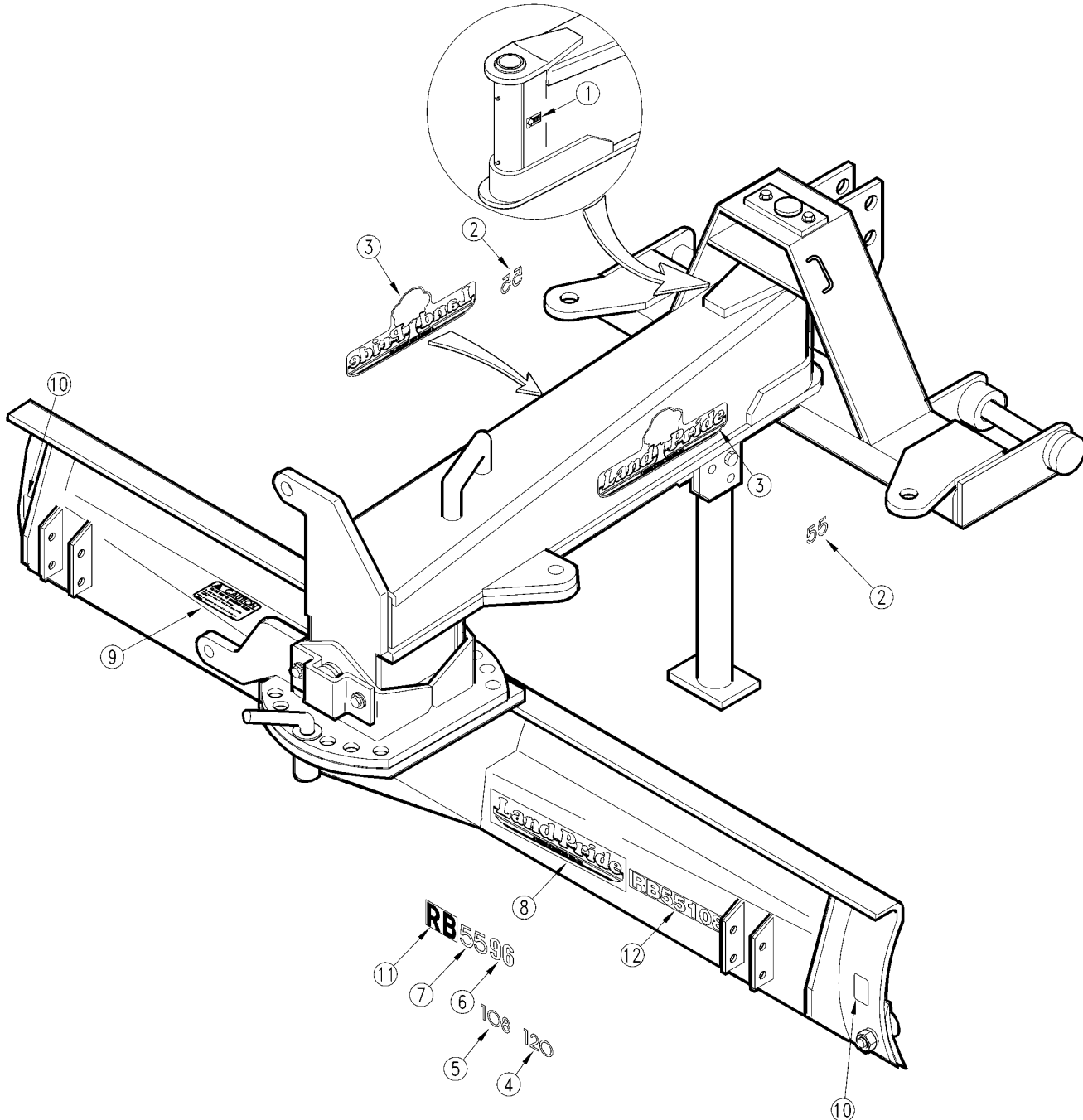
11436

**Hydraulic Cylinder (Rephasing) (810-035C)****Applies to RB55108, RB55120, RB5596**

<b>Ref</b>	<b>Part No.</b>	<b>Part Description</b>	<b>Comments</b>	<b>Revision</b>
	dwg11436	Drawing Image Number		
	810-035C	CYL REP 3.75X8X1.37 ROD		
1.	56007-1301	EATON ROD END		
2.	56006-1301	EATON PISTON ROD		
3.		WIPER SEAL	Only found in seal kit 20	
4.	16184-125	CESSNA U-CUP SEAL		
5.		LOCK RING	Only found in seal kit 20	
6.	56009-364	EATON BEARING		
7.		BACKUP WASHER	Only found in seal kit 20	
8.		O-RING	Only found in seal kit 20	
9.		SLIPPER RING	Only found in seal kit 20	
10.		O-RING	Only found in seal kit 20	
11.		O-RING	Only found in seal kit 20	
12.		WEAR RING	Only found in seal kit 20	
13.	56002-6	EATON PISTON		
14.		O-RING DUST SEAL	Only found in seal kit 20	
15.	56004-3608	EATON BARREL		
16.	56010-3	EATON SLOT COVER		
17.	56001-360	EATON HEAD		
18.	41322-705	CESSNA SPRING LOCKING PIN		
19.	51000705	51000-705 CESSNA CLEV PIN		
20.	810-050C	CYL SEAL KIT 3.75 CESSNA REPH		

## Decal Placement

Applies to RB55108, RB55120, RB5596



17580

***Decal Placement*****Applies to RB55108, RB55120, RB5596**

<b>Ref</b>	<b>Part No.</b>	<b>Part Description</b>	<b>Comments</b>	<b>Revision</b>
	dwg17580	Drawing Image Number		
1.	818-138C	DECAL GREASE EVERY 25 HOURS		
2.	818-197C	DECAL 55 SERIES BLACK	No longer used	
3.	818-893C	RPBY 838-964C	(S/N 254320+)	Rev. 2 not compat. w/Rev. 1
3.	838-964C	DECAL LP 16" W/TREE BROWN/GOLD		
3.	818-162C	LP LOGO LARGE GREEN	(S/N 254319-)	Rev. 1
4.	818-201C	DECAL 120 LP BUCKSKIN	(S/N 254319-)	
5.	818-200C	DECAL 108 LP BUCKSKIN	(S/N 254319-)	
6.	818-112C	DECAL 96 LP - BUCKSKIN	(S/N 254319-)	
7.	818-199C	DECAL 55 SERIES BUCKSKIN	(S/N 254319-)	
8.	838-966C	DECAL LANDPRIDE 22" BROWN/GOLD	S/N _____)	
8.	818-902C	RPBY 838-965C	(S/N 254320 to _____)	Rev. 2 not compat. w/Rev. 1
8.	838-965C	DECAL LANDPRIDE 16" BROWN/GOLD		
8.	818-163C	LP LOGO LARGE BUCKSKIN	(S/N 254319-)	Rev. 1
9.	818-202C	DECAL CAUTION FALL MBOARD/RAKE		
10.	818-230C	DECAL RED REFLECTOR		
11.	818-726C	DECAL RB LAND PRIDE BUCKSKIN	(S/N 254319-)	
12.	818-987C	DECAL RB55108-BEIGE	(S/N 254320+)	
12.	818-988C	DECAL RB55120-BEIGE	(S/N 254320+)	

***Touch-up Paints - LP***

---

Applies to RB55108, RB55120, RB5596

**No diagram associated with this Parts List**

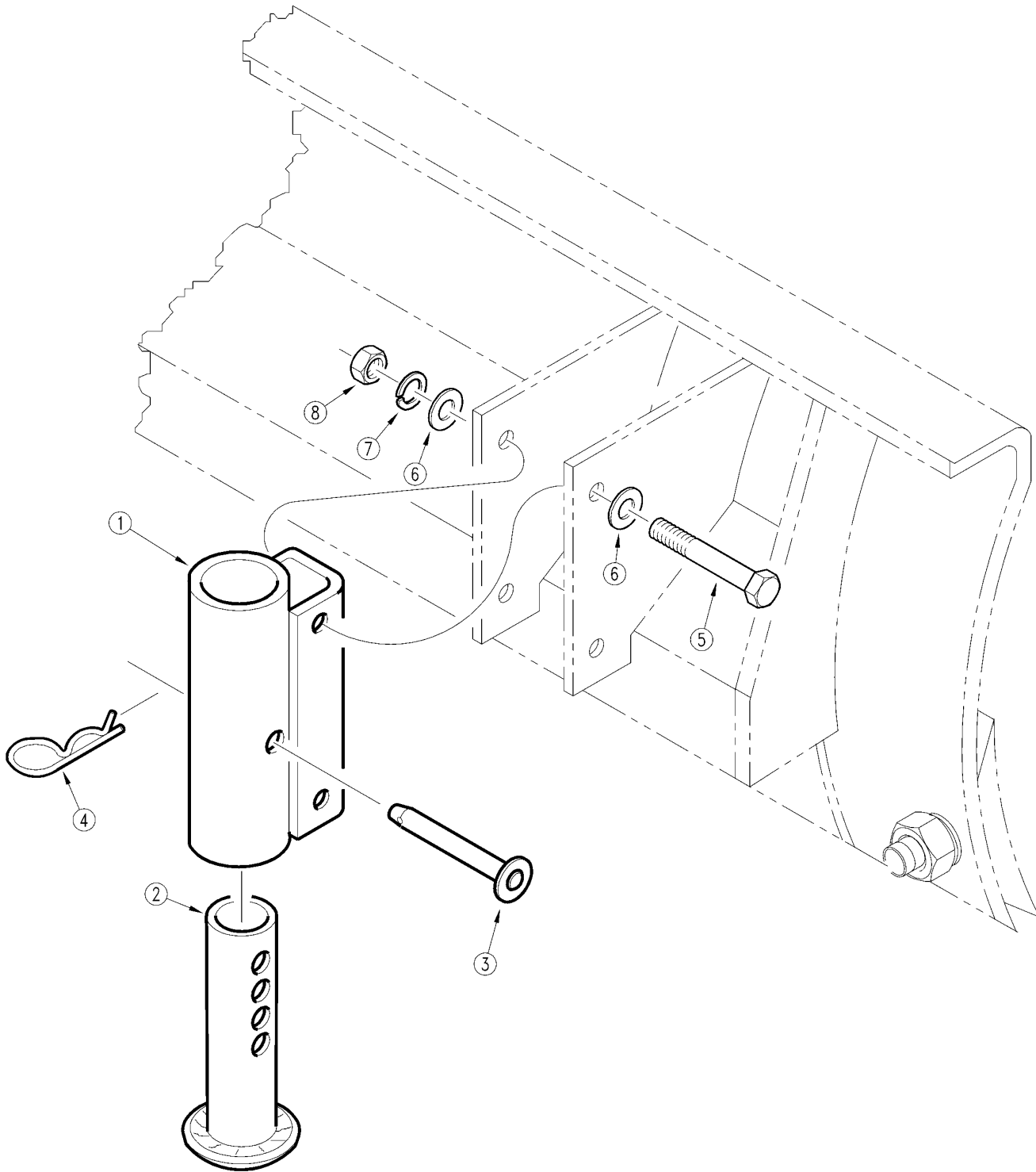


***Touch-up Paints - LP*****Applies to RB55108, RB55120, RB5596**

<b>Ref</b>	<b>Part No.</b>	<b>Part Description</b>	<b>Comments</b>	<b>Revision</b>
1.	821-011C	LP BEIGE SPRAY CAN	Spray can	
1.	821-011CTU	LP BEIGE TOUCH-UP 5OZ	Touch-up bottle with brush	
1.	821-011CQT	LP BEIGE QUART	Quart can	
1.	821-011CGL	LP BEIGE GALLON	Gallon can	
2.	821-070C	GLOSS BLACK SPRAY CAN	Spray can	
2.	821-070CTU	GLOSS BLACK TOUCH-UP 5OZ	Touch-up bottle with brush	
2.	821-070CQT	GLOSS BLACK QUART	Quart can	
2.	821-070CGL	GLOSS BLACK GALLON	Gallon can	
3.	821-054C	MED. RED SPRAY TRCK/CTR	Spray can	
3.	821-054CTU	MED RED TOUCH-UP 5OZ	Touch-up bottle with brush	
3.	821-054CQT	MED RED QUART	Quart can	
3.	821-054CGL	MED RED GALLON	Gallon can	
4.	821-058C	GREEN SPRAY CUTTERS	Spray can	
4.	821-058CTU	GREEN TOUCH-UP 5OZ	Touch-up bottle with brush	
4.	821-058CQT	GREEN QUART	Quart can	
4.	821-058CGL	GREEN GALLON	Gallon can	
5.	821-066C	ORANGE SPRAY CAN	Spray can	
5.	821-066CTU	ORANGE TOUCH-UP 5OZ	Touch-up bottle with brush	
5.	821-066CQT	ORANGE QUART	Quart can	
5.	821-066CGL	ORANGE GALLON	Gallon can	
6.	821-067C	BLUE SPRAY CAN	Spray can	
6.	821-067CTU	BLUE TOUCH-UP 5OZ	Touch-up bottle with brush	
6.	821-067CQT	BLUE QUART	Quart can	
6.	821-067CGL	BLUE GALLON	Gallon can	
7.	821-080C	PAINT ALUMINUM/ZINC SPRAY CAN	Spray can	
7.	821-080CTU	PAINT ALUMINUM/ZINC TOUCH UP	Touch-up bottle with brush	
7.	821-080CQT	PAINT ALUMINUM/ZINC QUART	Quart can	
7.	821-080CGL	PAINT ALUMINUM/ZINC GALLON	Gallon can	

## Skid Shoes

Applies to RB55108, RB55120, RB5596



10350

## Skid Shoes

**Applies to RB55108, RB55120, RB5596**

Ref	Part No.	Part Description	Comments	Revision
	dwg10350	Drawing Image Number		
	301-110A	SKID SHOE ASS'Y	Includes 2 of items 1-8	
1.	301-111H	SKID SHOE MOUNT		
2.	301-112H	SKID SHOE		
3.	805-417C	PIN CLVS .63X3.77 USBL		
4.	805-032C	PIN HAIR COTTER .148 WIRE		Rev. 2
4.	805-088C	PIN, HAIR COTTER 3/16 WIRE DIA		Rev 1; Use up stock
5.	802-249C	HHCS 1/2-13X4 1/2 GR5 SPTHD		
6.	804-017C	WASHER FLAT 1/2 USS PLT		
7.	804-015C	WASHER LOCK SPRING 1/2 PLT		
8.	p803-020C	NUT HEX 1/2-13 PLT		



# Part Number Index

The Part Number Index is a numeric index of all part numbers included in this manual. The index shows what page(s) the part is used on.

Part Number	Page	Part Number	Page	Part Number	Page	Part Number	Page
130560	19, 39, 59, 83	300-073H82	25	301-112H	65, 91	803-020C	21, 23, 41, 43,
134953	19, 39, 59, 83	300-075H	25	301-116D	45		45, 65, 67
135995	19, 39, 59, 83	300-076H	25	301-139H	68	803-021C	7, 13, 25, 33, 45,
16184-125	85	300-077S	25	301-140A	67		67
186562	19, 39, 59, 83	300-078A	26	301-150D	67	803-022C	13, 19, 39, 59, 83
1A1141	15, 35, 55, 79	300-079K	25	301-184A	25	803-024C	13, 33
1D0009-1050	15, 35, 55, 79	300-080A	47, 71	301-185A	26	803-026C	45, 67
1D0011-1812	51, 75	300-080H	49, 73	301-213D	45	803-038C	25
1D0205-1262	15, 35, 55, 79	300-081A	47, 71	301-220H	25	803-095C	7, 25, 45
1D0210-2125	51, 75	300-081H	49, 73	301-221H	25	803-160C	67
1D1003-5	15, 35, 55, 79	300-084D	25	301-237H	25	803-263C	7, 26
1D1013-12	51, 75	300-084H	45	301-238H	25	803-296C	45
1D1159-4	15, 35, 55, 79	300-085H	45	301-239H	25	804-015C	45, 65, 67, 91
1D1161-26	51, 75	300-086H	45	301-240A	25	804-017C	45, 65, 67, 91
1D1401-350	15, 35, 55, 79	300-087H	45	301-316H	7	804-021C	13, 33, 67
1D1401-400	51, 75	300-088H	49	301-317H	7	804-022C	7, 13, 25, 33, 45,
1D1509-4	15, 35, 55, 79	300-089H	49	301-318H	7		67
1D1511-17	51, 75	300-093H	67	301-319H	25	804-028C	7, 25
1D1551-16275	15, 35, 55, 79	300-095H	67	301-320H	25	804-062C	13, 33
1D1551-20300	51, 75	300-096H	67	301-321H	25	804-065C	21, 41
1M6010	17, 37, 57, 81	300-097H	67	301-330A	23, 43	805-008C	45
1M7020	53, 77	300-099A	49	301-331H	23, 43	805-015C	25
258827	19, 39, 59, 83	300-106S	25	301-436A	45	805-017C	7, 25
2A0006	17, 37, 53, 57,	300-113B	7	305-067S	25	805-020C	23, 43
	77, 81	300-116B	67	308-339D	7	805-032C	7, 25, 65, 91
2A0012	17, 37, 53, 57,	300-168S	45	316-099D	67	805-040C	45, 67
	77, 81	300-169S	67	316-100D	67	805-065C	7, 26
2A0016	17, 37, 57, 81	300-171H	7, 26	3M5408	17, 37, 57, 81	805-077C	49, 73
2A0018	53, 77	300-196D	7	3M6612	53, 77	805-081C	45, 67
2A0024	17, 37, 53, 57,	300-196D82	7	41322-705	85	805-088C	13, 25, 33, 45,
	77, 81	300-236D	67	491798	19, 39, 59, 83		49, 65, 73, 91
2A0079-616	15, 35, 51, 55,	300-262D	67	492338	19, 39, 59, 83	805-090C	13, 25, 33
	75, 79	300-263D	67	492652	19, 39, 59, 83	805-103C	67
2A0132	17, 37, 53, 57,	300-296D	25	492676	19, 39, 59, 83	805-104C	13, 33
	77, 81	300-317D	67	492700	19, 39, 59, 83	805-105C	13, 33, 45
2A0208	17, 37, 57, 81	300-318D	67	494286	19, 39, 59, 83	805-111C	7
2A0216	53, 77	300-375D	13, 33	4M5102	17, 37, 57, 81	805-117C	45, 67
2A0235-6	15, 35, 51, 55,	301-010A	21, 41	4M5108	17, 37, 57, 81	805-120C	49, 73
	75, 79	301-011H	21, 41	4M6102	53, 77	805-137C	25
2A0236-10	51, 75	301-012A	23, 43	51000705	85	805-148C	67
2A0236-9	15, 35, 55, 79	301-013H	23, 43	56001-360	85	805-161C	7, 26
2A0246-16	51, 75	301-014H	23, 43	56002-6	85	805-167C	45, 67
2A0308-1	15, 35, 51, 55,	301-015A	7, 25	56004-3608	85	805-177C	26
	75, 79	301-016H	7, 25	56006-1301	85	805-201C	67
2A0581-1325	15, 35, 55, 79	301-017A	7, 25	56007-1301	85	805-202C	25
2A0582-2100	51, 75	301-018H	7, 25	56009-364	85	805-203C	7, 25
2M5416	17, 37, 57, 81	301-019A	7, 26	56010-3	85	805-204C	45
2M6676	53, 77	301-020H	7, 25	5M5116	17, 37, 57, 81	805-417C	65, 91
300-013H	7, 25	301-087D	45, 67	5M6124	53, 77	810-010C	51, 53, 75, 77
300-014A	13, 33	301-088D	67	6M5142	17, 37, 57, 81	810-035C	71, 85
300-015H	13, 33	301-089D	67	6M6168	53, 77	810-050C	85
300-016H	13, 33	301-093H	45	7M5316	17, 37, 57, 81	810-104C	25, 47, 71
300-017H	13, 33	301-094H	45	7M6324	53, 77	810-111C	47, 51, 53, 71,
300-042D	13, 33	301-095H	45	800-073C	45, 67		75, 77
300-050D	13, 33	301-096H	45	800-080C	13, 33	810-146C	15, 35, 55, 79
300-057D	13, 33	301-097H	45	801-023C	19, 39, 59, 83	810-149C	17, 37, 57, 81
300-061H	7	301-098H	67	801-046C	23, 43	810-162C	13, 15, 17, 19,
300-061H82	7	301-099H	67	802-062C	13, 33		25, 33, 35, 37,
300-062H	7	301-100H	68	802-074C	25		39, 47, 55, 57,
300-066A	7	301-101H	68	802-082C	67		59, 71, 79, 81, 83
300-067H	13, 33	301-102H	67	802-091C	21, 41, 45, 67	810-888C	19, 39, 59, 83
300-068K	13, 33	301-103H	67	802-162C	7	811-063C	47, 71
300-071H	25	301-104S	45	802-192C	45, 67	811-257C	47, 71
300-071H81	25	301-106A	45	802-206C	7, 25, 45, 67	811-318C	47, 71
300-071H82	25	301-107A	45	802-207C	13, 33	811-394C	47, 71
300-072H	25	301-108A	67	802-208C	13, 33	814-039C	13, 33
300-072H81	25	301-109A	67	802-209C	25	818-085C	9
300-072H82	25	301-109D	45	802-249C	65, 91	818-086C	29
300-073H	25	301-110A	65, 91	802-258C	45, 67	818-102C	9
300-073H81	25	301-111H	65, 91	802-288C	45, 67	818-103C	29



## Part Number Index (continued)

Part Number	Page	Part Number	Page
818-109C	9, 29	841-089C	47, 71
818-111C	9, 29	848-161C	29
818-112C	9, 29, 61, 87	890-051C	67
818-138C	61, 87	890-126C	45
818-162C	61, 87	890-177C	13, 33, 49, 73
818-163C	9, 29, 61, 87	Dwg 10342	7
818-164C	9, 29	Dwg 10345	25
818-196C	61	Dwg 10348	45
818-197C	87	Dwg 10352	67
818-198C	61	Dwg 11421	17, 37, 57, 81
818-199C	87	Dwg 14942	47
818-200C	61, 87	Dwg 14954	71
818-201C	87	Dwg 17577	9
818-202C	9, 29, 61, 87	Dwg 17578	29
818-229C	29	Dwg 17579	61
818-230C	9, 29, 61, 87	dwg10219	51, 53, 75, 77
818-335C	13, 33	dwg10331	21
818-726C	9, 29, 61, 87	dwg10332	23
818-891C	9	dwg10350	65, 91
818-893C	61, 87	dwg11421	15, 35, 55, 79
818-899C	29	dwg11436	85
818-902C	9, 29, 61, 87	dwg11488	73
818-976C	9	dwg13540	41
818-977C	9	dwg13541	43
818-978C	9	dwg14941	49
818-979C	29	dwg16952	13, 33
818-980C	29	dwg17580	87
818-981C	29	dwg25900	19, 39, 59, 83
818-985C	61	N/A	9, 19, 39, 49, 59, 61, 73, 83
818-986C	61		
818-987C	87	p803-020C	91
818-988C	87		
820-035C	7, 25, 45, 67		
820-043C	7, 25		
820-046C	7, 25		
820-072C	45, 67		
820-073C	67		
821-011C	11, 31, 63, 89		
821-011CGL	11, 31, 63, 89		
821-011CQT	11, 31, 63, 89		
821-011CTU	11, 31, 63, 89		
821-054C	11, 31, 63, 89		
821-054CGL	11, 31, 63, 89		
821-054CQT	11, 31, 63, 89		
821-054CTU	11, 31, 63, 89		
821-058C	11, 31, 63, 89		
821-058CGL	11, 31, 63, 89		
821-058CQT	11, 31, 63, 89		
821-058CTU	11, 31, 63, 89		
821-066C	11, 31, 63, 89		
821-066CGL	11, 31, 63, 89		
821-066CQT	11, 31, 63, 89		
821-066CTU	11, 31, 63, 89		
821-067C	11, 31, 63, 89		
821-067CGL	11, 31, 63, 89		
821-067CQT	11, 31, 63, 89		
821-067CTU	11, 31, 63, 89		
821-070C	11, 31, 63, 89		
821-070CGL	11, 31, 63, 89		
821-070CQT	11, 31, 63, 89		
821-070CTU	11, 31, 63, 89		
821-080C	11, 31, 63, 89		
821-080CGL	11, 31, 63, 89		
821-080CQT	11, 31, 63, 89		
821-080CTU	11, 31, 63, 89		
838-517C	9, 29		
838-962C	9		
838-964C	61, 87		
838-965C	9, 29, 61, 87		
838-966C	9, 29, 61, 87		
841-088C	47, 71		



Great Plains Manufacturing, Inc.

Corporate Office: P.O. Box 5060  
Salina, Kansas 67402-5060 USA

[www.landpride.com](http://www.landpride.com)

---