
PLEASE NOTE: This is a **PRELIMINARY** copy of the Carburetor Reference Manual.

Carburetor Service Kits

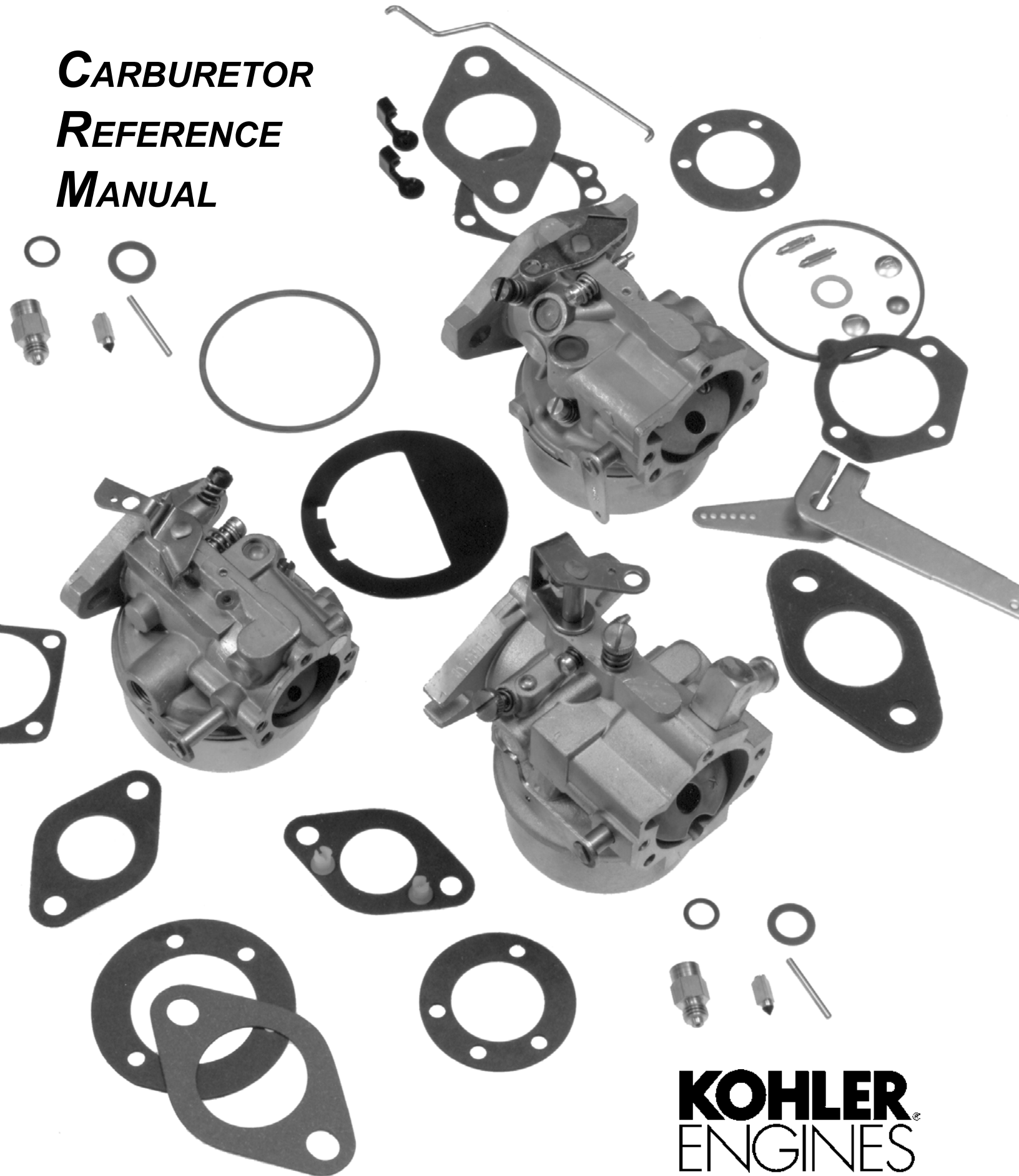
The carburetors for most current production engines are serviced with convenient kits, which include the necessary gaskets, hardware, sealant, etc. The following table lists the service kits by engine model and carburetor manufacturer. For those carburetors where a float kit is not listed, order a rebuild kit which includes the float.

Engine Model	Carburetor Mfr.	Gasket Repl. Kit	Rebuild Kit	Float Kit	Choke Repair Kit	
					Standard	Self-Reliev.
CS4, 6	Mikuni		63 757 04-S	63 757 05-S		
CS8.5 (250cc)	Mikuni		63 757 10-S	63 757 08-S		
CS8.5-12	Mikuni		63 757 01-S	63 757 02-S		
CH6	Keihin	15 757 09-S	15 757 07-S		15 757 08-S	
CH/CV11-16	Walbro		12 757 03-S	12 757 02-S	12 757 08-S	
CH/CV11-16	Nikki	12 757 31-S	12 757 27-S		12 757 30-S	12 757 29-S
TH16, 18	Nikki	24 757 20-S	28 757 05-S	28 757 06-S	28 757 08-S	
CH18-25	Keihin		24 757 03-S	24 757 02-S	24 757 07-S	
CV17-25	Nikki	24 757 20-S	24 757 18-S		24 757 19-S	
CH/CV22/23 (674cc)	Keihin	24 757 38-S	24 757 46-S	24 757 44-S	24 757 36-S	
LV675-740	Nikki	24 757 20-S	24 757 18-S		24 757 19-S	

Engine Model	Carburetor Mfr.	Solenoid Kit	Fuel Bowl Repl. Kit	Accelerator Pump Kit(s)	
				Seal & Bush.	Diaphragm
CS4, 6	Mikuni				
CS8.5 (250cc)	Mikuni				
CS8.5-12	Mikuni				
CH6	Keihin				
CH/CV11-16	Walbro	12 757 33-S	12 757 37-S		
CH/CV11-16	Nikki	12 757 28-S			
TH16, 18	Nikki	28 757 07-S			
CH18-25	Keihin	24 757 01-S		24 757 08-S	24 757 09-S
CV17-25	Nikki	24 757 22-S			24 757 21-S
CH/CV22/23 (674cc)	Keihin	24 757 45-S			24 757 47-S
LV675-740	Nikki	28 757 07-S			24 757 21-S

CARBURETORS

CARBURETOR REFERENCE MANUAL



KOHLER
ENGINES

This reference manual contains information on the various types of carburetors used on Kohler engines. Section 1 is a part number cross reference to assist you in selecting the proper replacement carburetor or carburetor kit. Section 2 contains recommended carburetor adjustment procedures for Kohler and Walbro carburetors, and preliminary needle settings for all carburetors and engine models. Section 3 is a service parts listing.

The cross reference listing will be periodically updated to reflect part number supersessions. All information in this manual is subject to change. For additional service and repair information see the appropriate service manual for your model engine.

Section 1

Carburetor Cross Reference

How To Use This Cross Reference

1. Prior to the serial breaks listed, use an original Kohler adjustable jet carburetor when available from Distributor's stock.

Where serial breaks are not listed, and the engine was built with an original Kohler adjustable jet carburetor, use an original Kohler adjustable jet carburetor.

2. If an original Kohler adjustable jet carburetor is no longer available, and the engine serial number is prior to the serial break, order the corresponding Walbro fixed or adjustable jet carburetor kit.

If the engine serial number is at or after the serial break, determine the part number of the carburetor installed on the engine. *The part number is stamped on the carburetor mounting flange.)

3. Locate the carburetor part number (from step 2) in either the "Walbro Fixed Jet Car" column or "Walbro Adj Jet Carb" column. Use the corresponding carburetor kit.
4. If a Walbro fixed jet carburetor kit is no longer available from Kohler Co./Distributor stock, use the corresponding Walbro adjustable jet kit.

NOTE: Carburetors listed in the "Walbro Fixed Jet Carb" column and "Walbro Adj Jet Carb" column are for reference only. Always order the corresponding carburetor kit.

Carburetor kits include a carburetor assembly, gasket and/or linkage.

Engine Model	Original Kohler Adj. Carb.	Serial Break	Walbro Fixed Jet Carb. Kit*	Walbro Fixed Jet Carb.	Walbro Adj. Jet Carb. Kit*	Walbro Adj. Jet Carb.
K91	G-220517	2018300019	_____	_____	46 853 01	46 053 05
K161	41 053 13	1915100012	_____	_____	41 853 11	41 053 32
K181/M8	C-231738	_____	41 853 01	41 053 21	41 853 06	41 053 28 41 053 34
	B-231739	1814800012	41 853 02	41 053 22	41 853 08	41 053 29
	41 053 01	1813100012	41 853 03	41 053 23	41 853 09	41 053 30
	41 053 13	1915000012	_____	_____	41 853 11	41 053 32
	41 053 18	1813300012	41 853 04	41 053 26 41 053 24	41 853 07	41 053 27
	41 053 20	1823000012	_____	_____	41 853 10	41 053 31
	_____	_____	_____	_____	41 853 12	41 053 36
K241-301,M10-12	47 053 07	1724400013	47 853 09	47 053 65	47 853 20	47 053 86
	47 053 08	1724400013	47 853 09	47 053 65	47 853 20	47 053 86
	47 053 12	1723800013	47 853 01	47 053 66	47 853 21	47 053 87
	47 053 13	1725405693	47 853 02	47 053 67	47 853 22	47 053 88
	47 053 14	1723900013	47 853 03	47 053 68	47 853 23	47 053 89
	47 053 24	1723900013	47 853 15	47 053 83	47 853 26	47 053 92
	47 053 29	1727100013	47 853 07	47 053 72	47 853 24	47 053 90
	47 053 40	1727207134	47 853 10	47 053 74	47 853 25	47 053 91
	47 053 62	1725300013	47 053 09	47 053 65	47 853 20	47 053 86
	47 053 80	1726700013	47 853 18	47 053 84	47 853 27	47 053 93
K321,M14	47 053 03	1733700013	47 853 08	47 053 64	47 853 29	47 053 96
	47 053 09	1733700013	47 853 08	47 053 64	47 853 29	47 053 96
	47 053 15	1735210504	47 853 04	47 053 69	47 853 30	77 053 07
	47 053 16	1733600013	47 853 05	47 053 70	47 853 31	47 053 98
	47 053 17	1733700013	47 853 16	47 053 71	47 853 32	47 053 99
	47 053 20	1733700013	47 853 06	47 053 71	47 853 32	47 053 99
	47 053 30	1733700013	47 853 17	47 053 82 77 053 05	47 853 35	77 053 03
	47 053 35	1725200013	47 853 19	47 053 85	47 853 28	47 053 94
	47 053 41	1812410383	47 853 11	47 053 75	47 853 33	77 053 06(KA) 77 053 01(WA)
	47 053 63	1734308964	47 853 08	47 053 64	47 853 29	47 053 96
	47 053 78	1733600013	47 853 14	47 053 79	47 853 34	77 053 02

*Includes carburetor, gasket, and/or linkage.

Engine Model	Original Kohler Adj. Carb.	Serial Break	Walbro Fixed Jet Carb. Kit*	Walbro Fixed Jet Carb.	Walbro Adj. Jet Carb. Kit*	Walbro Adj. Jet Carb.
K341,M16						
	45 053 08	1806000013	45 853 05	45 053 75	45 853 12	45 053 88(KA) 45 053 83(WA)
	45 053 09	1802100013	45 853 05	45 053 75	45 853 12	45 053 88(KA) 45 053 83(WA)
	45 053 12	1805500013	45 853 02	45 053 71	45 853 08	45 053 79
	45 053 20	1809800013	45 853 01	45 053 72	45 853 09	45 053 87
	45 053 26	1802200013	45 853 06	45 053 73	45 853 10	45 053 81
	45 053 68	1812408663	45 853 04	45 053 74	45 853 11	45 053 86(KA) 45 053 82(WA)
	45 053 70	1802100013	45 853 05	45 053 75	45 853 12	45 053 88(KA) 45 053 83(WA)
	45 053 76	1808809063	45 853 07	45 053 78	45 853 13	45 053 84
	45 053 77	_____	45 053 07	45 053 78	45 853 13	45 053 84
					45 853 15	45 053 89
					45 853 16	45 053 90
K582						
	48 053 06	_____	_____	_____	_____	_____
KT17-19/M18-MV20						
KT17/M18	52 053 09	1630206306	52 853 07	52 053 26 52 053 31 52 053 36	52 853 23	52 053 50 52 053 66
KT17/M18	52 053 18	1629500996	25 853 04	52 053 27 52 053 32 52 053 34	52 853 30	52 053 51
KT17/M18	52 053 28	1720308366	52 853 21	52 053 37	52 853 24	52 053 52
M18	_____	_____	_____	_____	52 853 33	52 053 52
M18/M20	_____	_____	_____	_____	52 853 31	52 053 60
					52 853 32	52 053 69
KT19/M20	52 053 09	1919504216	52 853 01	52 053 20 52 053 46	52 853 27	52 053 58 52 053 63
KT19/M20	52 053 18	1919504216	52 853 02	52 053 21 52 053 47	52 853 28	52 053 59
M20	_____	_____	52 853 22	52 053 38	52 835 26	52 053 56
					52 853 34	52 053 56
MV16/MV18	_____	_____	52 853 09	52 053 34	52 853 25	52 053 54
			52 853 05	52 053 27	52 853 25	52 053 54
MV20	_____	_____	Not Available	52 053 21	52 853 29	52 053 55

*Includes carburetor, gasket, and/or linkage.

Section 2

Carburetor Adjustment

Kohler engines are equipped with one of two basic types of carburetors – Kohler or Walbro – fixed main jet or adjustable main jet. This section covers the carburetor adjustment procedures for all Kohler engines.

Kohler carburetor adjustments are covered on pages **2.1 & 2.2**. Walbro carburetor adjustments are covered on pages **2.3 & 2.4**. Preliminary settings for both type carburetor is on page **2.5**.

The carburetor is designed to deliver the correct fuel-to-air mixture to the engine under all operating conditions. The main fuel and low idle fuel needles on adjustable jet carburetors are set at the factory and normally do not need further adjustment. On fixed jet carburetors, the low idle fuel needle is also set at the factory and normally does not need further adjustment. The main fuel jet is calibrated and installed at the factory and is not adjustable*.

*NOTE: Engines operating at altitudes above approximately 1830 m (6000 ft.) may require a special “high altitude” main jet.

Troubleshooting

If engine troubles are experienced that appear to be fuel system related, check the following areas before adjusting the carburetor.

- Make sure the fuel tank is filled with clean, fresh gasoline.
- Make sure the fuel tank cap vent is not blocked and that it is operating properly.
- Make sure fuel is reaching the carburetor. This includes checking the fuel shut-off valve, fuel tank filter screen, in-line fuel filter, fuel lines, and fuel pump for restrictions or faulty components as necessary.
- Make sure the air cleaner base and carburetor is securely fastened to the engine using gaskets in good condition.

- Make sure the air cleaner element is clean and all air cleaner components are fastened securely.
- Make sure the ignition system, governor system, exhaust system, and throttle and choke controls are operating properly.

If, after checking the items listed above, starting or engine operation problems exist, it may be necessary to adjust the carburetor.

NOTE: Carburetor adjustments should be made only after the engine has warmed up.

Kohler Carburetor Adjustment

In general, turning the adjusting needles in (clockwise) decreases the supply of fuel to the carburetor. This gives a leaner fuel-to-air mixture. Turning the adjusting needles out (counterclockwise) increases the supply of fuel to the carburetor. This gives a richer fuel-to-air mixture. Setting the needles midway between the lean and rich positions will usually give the best results.

Adjust the carburetor as follows:

1. With the engine stopped, turn the low idle fuel adjusting needle in (clockwise) until it bottoms lightly.

NOTE: The tip of the low idle fuel and main fuel adjusting needles are tapered to critical dimensions. Damage to the needles and the seats in carburetor body will result if the needles are forced.

2. **Preliminary Settings:** Turn the adjusting needles out (counterclockwise) from lightly bottomed according to the table shown in Figure **2-5**.
3. Start the engine and run at half throttle for five to ten minutes to warm up. The engine must be warm before making final settings steps 4, 5, 6, and 7).

4. **Main Fuel Needle Setting:** This adjustment is required only for adjustable main jet carburetors. If the carburetor is a fixed main jet type, refer to Walbro adjustment.

Place the throttle into the “fast” position. If possible, place the engine under load.

Turn the main fuel adjusting needle out (counterclockwise) from the preliminary setting until the engine speed decreases (rich). Note the position of the needle.

Now turn the adjusting needle in (clockwise). The engine speed may increase, then it will decrease as the needle is turned in (lean). Note the position of the needle.

Set the adjusting needle midway between the rich and lean settings. See Figure 2-1.

5. **Low Idle Speed Setting:** Place the throttle control into the “idle” or “slow” position. Set the low idle speed to 1200 RPM* (+ or – 75 RPM) by turning the low idle speed adjusting screw in or out. Check the speed using a tachometer.

*NOTE: The actual low idle speed depends on the application. Refer to the equipment manufacturer’s instructions for specific low idle speed settings. The recommended low idle speed for the Basic Engines is 1200 RPM. To ensure best results when setting the low idle fuel needle, the low idle speed must not exceed 1500 RPM.

6. **Low Idle Fuel Needle Setting:** Place the throttle into the “idle” or “slow” position.

Turn the low idle fuel adjusting needle out (counterclockwise) from the preliminary setting until the engine speed decreases (rich). Note the position of the needle.

Now turn the adjusting needle in (clockwise). The engine speed may increase, then it will decrease as the needle is turned in (lean). Note the position of the needle.

Set the adjusting needle midway between the rich and lean settings. See Figure 2-1.

7. Recheck the low idle speed using a tachometer. Readjust the speed as necessary.

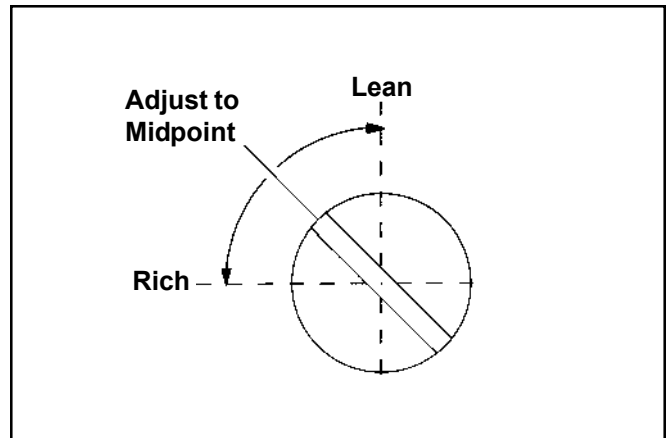


Figure 2-1. Optimum Low Idle Fuel Setting.

Walbro Carburetor Adjustment

In general, turning the adjusting needles in (clockwise) decreases the supply fuel to the carburetor. This gives a leaner fuel-to-air mixture. Turning the adjusting needles out (counterclockwise) increase the supply of fuel to the carburetor.

Adjust the carburetor as follows, see Figure 2-2 for needle locations.

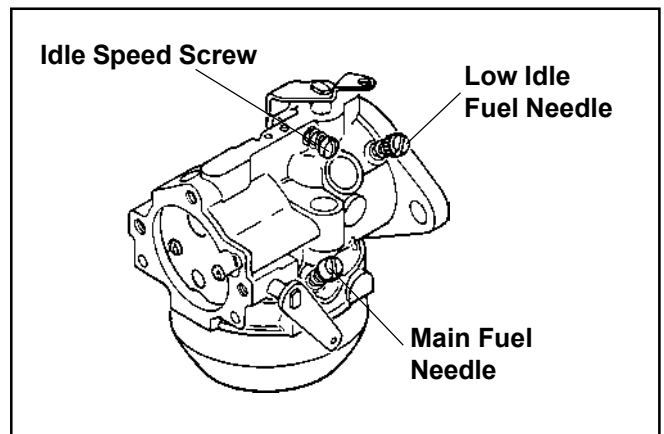


Figure 2-2. Adjusting Needle Locations.

NOTE: The tip of the low idle fuel and main fuel adjusting needles are tapered to critical dimensions. Damage to the needles and the seats in carburetor body will result if the needles are forced.

Refer to Figure 2-5 for preliminary settings.

1. With the engine stopped, turn the adjusting needle(s) in (clockwise) until it bottoms lightly.

2. **Preliminary Settings:** Turn the adjusting needle(s) out (counterclockwise) from lightly bottomed according to the table shown in Figure 2-5, or to the rich side of adjustment.
3. Start the engine and run at half throttle for five to ten minutes to warm up. The engine must be warm before making final settings.
4. **Main Fuel Needle Setting:** This adjustment is required only for adjustable main jet carburetors. If the carburetor is a fixed main jet type, disregard this setting.

Place the throttle into the “fast” position.

Turn the adjusting needle in (clockwise). The engine speed may increase, then it will decrease as the needle is turned in (lean). Note the position of the needle. Back the needle out approximately 1/8 to 1/4 turn. See Figure 2-3 for best main fuel performance.

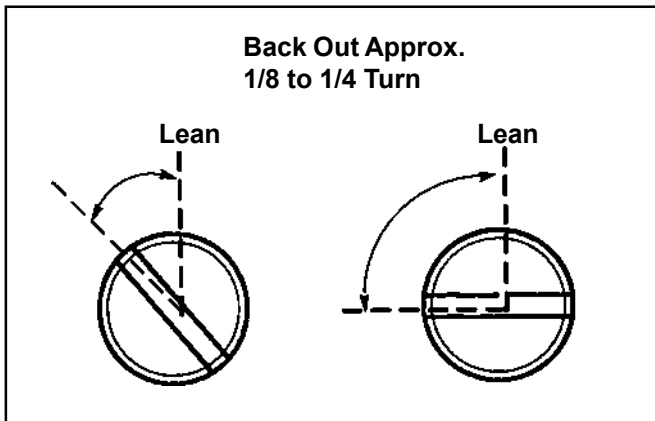


Figure 2-3. Optimum Main Fuel Setting.

5. **Low Idle Speed Setting:** Place the throttle control into the “idle” or “slow” position. Set the low idle speed to 1200 RPM* (+ or – 75 RPM) by turning the low idle speed adjusting screw in or out. Check the speed using a tachometer.

*NOTE: The actual low idle speed depends on the application. Refer to the equipment manufacturer’s instructions for specific low idle speed settings. To ensure best results when setting the low idle fuel needle, the low idle speed must not exceed 1500 RPM.

6. **Low Idle Fuel Needle Setting:** Place the throttle into the “idle” or “slow” position.

Turn the adjusting needle in (clockwise). The engine speed may increase, then it will decrease as the needle is turned in (lean). Note the position of the needle.

Back the needle out approximately 1/8 to 1/4 turn. See Figure 2-4 for best low idle fuel performance.

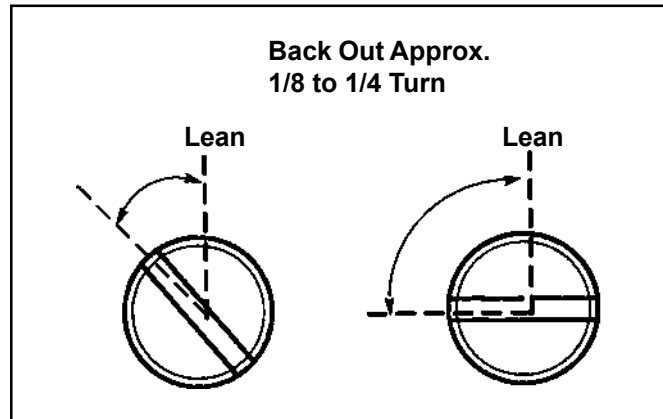


Figure 2-4. Optimum Low Idle Fuel Setting.

Preliminary Settings

K-Series Models

	Kohler Adjustable Jet		Walbro	Walbro Adjustable Jet	
	Low Idle	High Idle	Fixed Jet Low Idle	Low Idle	Main Fuel
K91	1-1/2 turns	2 turns	NOT APPL	1-3/4 turns	3/4 turn
K141	1-1/2 turns	3 turns	NOT APPL	NOT APPL	NOT APPL
K161*	1-1/2 turns	3 turns	NOT APPL	2-1/4 turns	1-1/8 turns
K181*	1-1/4 turns	2 turns	2-1/2 turns	2-1/2 turns	3/4 turn
K241	2-1/2 turns	2 turns	1-1/4 turns	1-3/4 turns	1-1/8 turns
K301	2-1/2 turns	2 turns	1-1/2 turns	1-3/4 turns	1-1/8 turns
K321	2-1/2 turns	3-1/4 turns	1-1/2 turns	1-1/8 turns	1-1/4 turns
K341	2-1/2 turns	3-1/2 turns	1 turn	2-1/2 turns	1-1/4 turns
KT17	1 turn	2-1/2 turns	1-1/4 turns	1-1/4 turns	1-1/4 turns
KT19	1 turn	2-1/2 turns	1-1/4 turns	1-1/4 turns	1 turn
K582	1-1/4 turns	3 turns	NOT APPL	2 B DETERMINED	2 B DETERMINED

*Includes "New Look" Models

Magnum Models

	Kohler Adjustable Jet		Walbro	Walbro Adjustable Jet	
	Low Idle	High Idle	Fixed Jet Low Idle	Low Idle	Main Fuel
M8	1-1/4 turns	2 turns	2-1/2 turns	2-1/2 turns	3/4 turn
M10	2-1/2 turns	2 turns	1-1/4 turns	1-3/4 turns	1-1/8 turns
M12	2-1/2 turns	2 turns	1-1/4 turns	1-3/4 turns	1-1/8 turns
M14	2-1/2 turns	3-1/4 turns	1-1/2 turns	1-1/8 turns	1-1/4 turns
M16	2-1/2 turns	3-1/2 turns	1 turn	2 turns	7/8 turn
M18	1 turn	2-1/2 turns	1-1/4 turns	1-1/4 turns	1-1/4 turns
M20	1 turn	2-1/2 turns	1-1/4 turns	1-1/4 turns	1 turn
MV16/18	NOT APPL	NOT APPL	1-1/4 turns	1-1/4 turns	1-1/4 turns
MV20	NOT APPL	NOT APPL	1-1/4 turns	1-1/4 turns	1 turn

Command Models

	Kohler Adjustable Jet		Walbro	Walbro Adjustable Jet	
	Low Idle	High Idle	Fixed Jet Low Idle	Low Idle	Main Fuel
C5	NOT APPL	NOT APPL	1 turn	NOT APPL	NOT APPL
CV12.5	NOT APPL	NOT APPL	1 turn	NOT APPL	NOT APPL

Figure 2-5.

Section 3

SERVICE PARTS LISTING

This section contains indexed illustrations and complete part number breakdowns for the Kohler adjustable and Walbro fixed/adjustable carburetors.

The Kohler carburetors are covered on pages **3.2 – 3.5**. 1/2" Walbro carburetors are covered on pages **3.6 – 3.7**. 1" Walbro carburetors are covered on pages **3.8 – 3.11**.

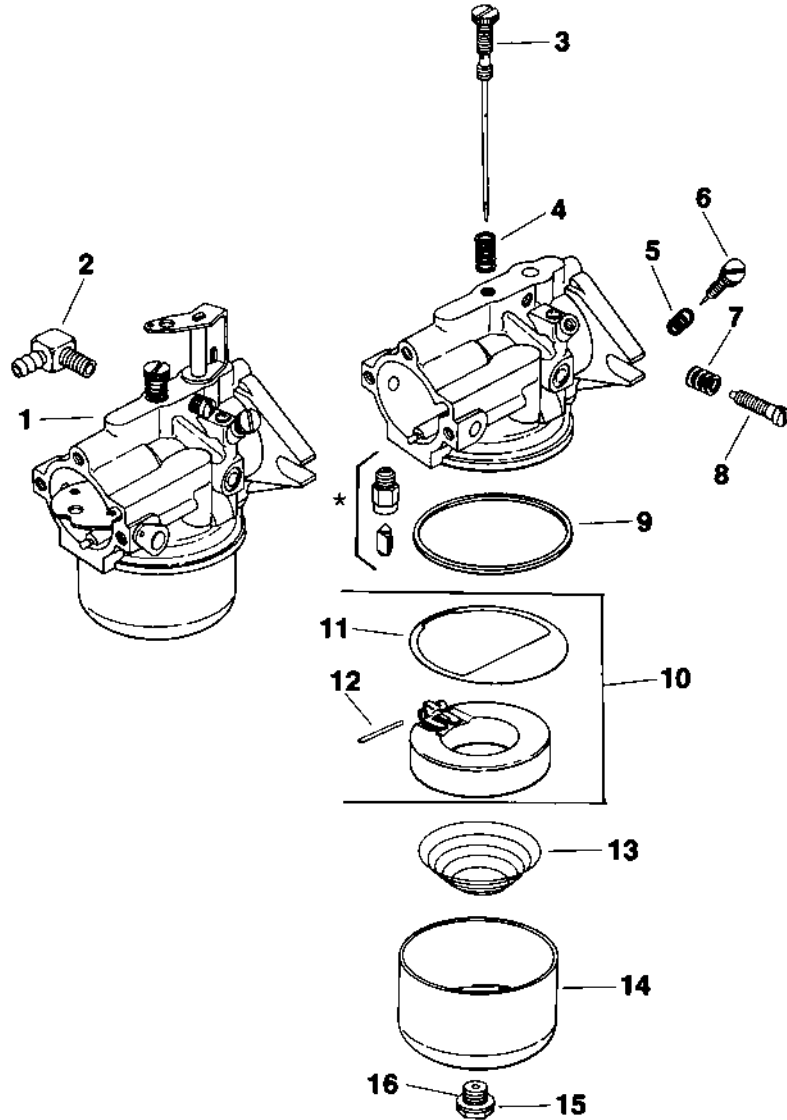
Here is a listing for quick reference of all fixed main jets and high altitude jet kits and jet size.

Fixed Main Jets

Kohler Part No.	Jet Size
45 337 01	0.051
47 337 02	0.045
52 337 01	0.047
52 337 03	0.050
52 337 04	0.052
52 337 06	0.055
52 337 07	0.048
52 337 08	0.046
52 337 09	0.060

High Altitude Jet Kits

Kohler Part No.	Jet Size
41 755 30	0.044
45 755 14	0.049
47 755 36	0.042
47 755 38	0.043
52 755 68	0.044
52 755 74	0.047
52 755 95	0.058
52 755 96	0.046
52 755 97	0.049
52 755 98	0.052



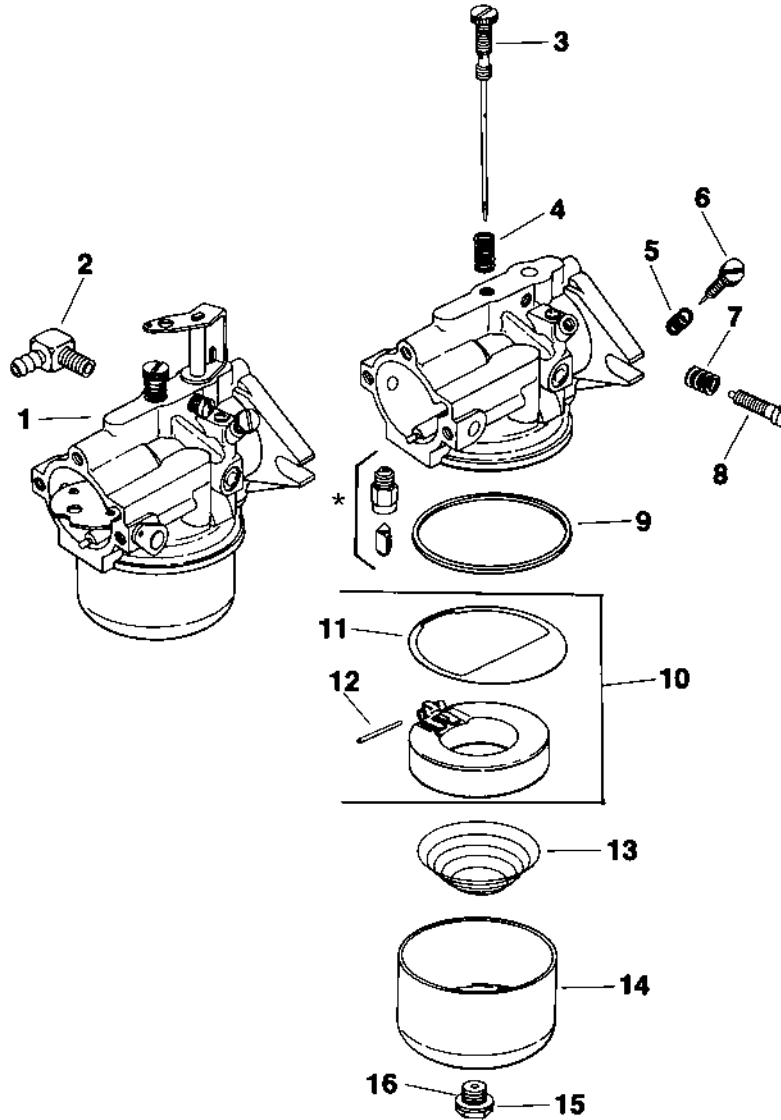
1/2" Kohler Adjustable Carburetor

Carburetor Part No.	Connector Hose	Needle, Hi Speed Adj	Spring, Hi Spd Needle	Spring, Idle Needle	Needle, Idle Adj.	Spring, Idle Screw	Screw, Idle Adj	Gasket Bowl	Float Kit
1	2	3	4	5	6	7	8	9	15
G-220517	-	200410	200383	200380	200438	232555	232556	200375	25 757 03
C-231738	-	232635	200383	200380	200438	232555	232556	200375	25 757 03
B-231739	-	232635	200383	200380	200438	232555	232556	200375	25 757 03
41 053 01	X-391-9	232635	300383	200380	200438	232555	232556	200375	25 757 03
41 053 13	-	200410	200383	200380	200438	232555	232556	200375	25 757 03
41 053 18	-	232635	200383	200380	200438	232555	232556	200375	25 757 03
41 053 20	-	232635	200383	200380	200438	232555	232556	200375	25 757 03

1" Kohler Adjustable Carburetor

Carburetor Part No.	Connector Hose	Needle, Hi Speed Adj	Spring, Hi Spd Needle	Spring, Idle Needle	Needle, Idle Adj.	Spring, Idle Screw	Screw, Idle Adj	Gasket Bowl	Float Kit
1	2	3	4	5	6	7	8	9	25
45 053 06	-	48 103 01	200383	200380	277210	200380	234945	200375	25 757 03

*Included in Carburetor Repair Kit



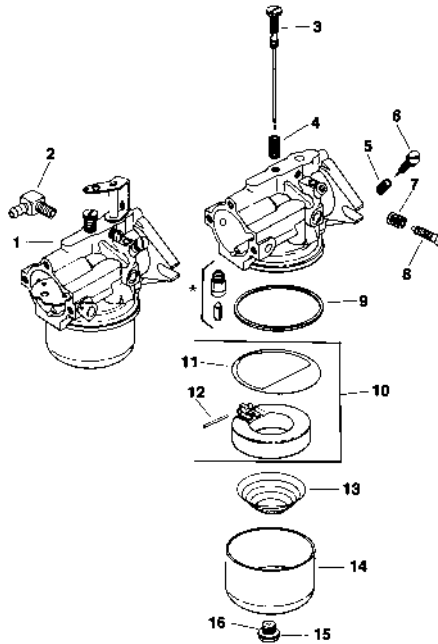
1/2" Kohler Adjustable Carburetor

Gasket, Bowl Baffle	Pin, Float	Spring, Float	Bowl, Fuel	Screw, Bowl Retainer	Gasket, Bowl ret. Screw	Repair Kit	Shaft Repl Kit	Carburetor Part No.
11	12	13	14	15	16			1
25 041 02	200376	-	200418	41 100 01	200372	25 757 01	25 757 04	G-220517
25 041 02	200376	-	200418	41 100 01	200372	25 757 01	25 757 04	C-231738
25 041 02	200376	-	200418	41 100 01	200372	25 757 01	25 757 04	B-231739
25 041 02	200376	-	200418	41 100 01	200372	25 757 01	25 757 04	41 053 01
25 041 02	200376	-	200418	41 100 01	200372	25 757 01	25 757 04	41 053 13
25 041 02	200376	-	200418	41 100 01	200372	25 757 01	25 757 04	41 053 18
25 041 02	200376	237917	200418	41 100 01	200372	25 757 01	25 757 04	41 053 20

1/2" Kohler Adjustable Carburetor

Gasket, Bowl Baffle	Pin, Float	Spring, Float	Bowl, Fuel	Screw, Bowl Retainer	Gasket, Bowl ret. Screw	Repair Kit	Shaft Repl Kit	Swivel Clamp Kit	Carburetor Part No.
11	12	13	14	15	16				1
25 041 02	200376	-	235448	47 100 06	200372	25 757 02	-	48 755 10	48 053 06

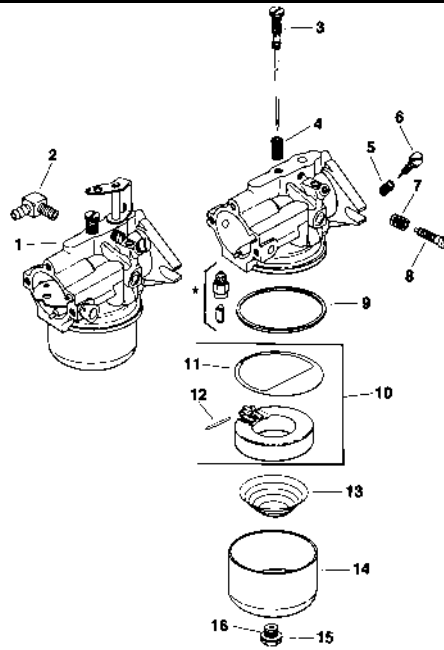
*Included in Carburetor Repair Kit



1" Kohler Adjustable Carburetor

Carburetor Part No.	Connector Hose	Needle, Hi Speed Adj	Spring, Hi-Speed	Spring Idle Needle	Needle Idle Adj	Spring Idle	Screw Idle Adj	Gasket, Bowl	Float Kit
1	2	3	4	5	6	7	8	9	10
45 053 08		45 103 01	200383	200380	275231	232555	232556	200375	25 757 03
45 053 09		45 103 01	200383	200380	275231	232555	232556	200375	25 757 03
45 053 12		45 103 01	200383	200380	275231	232555	232556	200375	25 757 03
45 053 20		45 103 01	200383	200380	272531	232555	232556	200375	25 757 03
45 053 26	X-391-10	45 103 01	200383	200380	275231	232555	232556	200375	25 757 03
45 053 68		45 103 01	200383	200380	275231	232555	232556	200375	25 757 03
45 053 70		45 103 01	200383	200380	275231	232556	232556	200375	25 757 03
45 053 76	X-391-10	45 103 01	200383	200380	275231	232555	232556	200375	25 757 03
45 053 77	X-391-10	45 103 01	200383	200380	275231	232555	232556	200375	25 757 03
45 053 86		45 103 01	200383	200380	275231	232555	232556	200375	25 757 03
45 053 87		45 103 01	200383	200380	275231	232555	232556	200375	25 757 03
45 053 88		45 103 01	200383	200380	275231	232555	232556	200375	25 757 03
45 053 89		45 103 01	200383	200380	275231	232555	232556	200375	25 757 03
47 053 03		47 103 01	200383	200380	275231	232555	232556	200375	25 757 03
45 053 07		235415	200383	200380	235006	232555	232556	200375	25 757 03
45 053 08		235415	200383	200380	235006	232555	232556	200375	25 757 03
45 053 09		47 103 01	200383	200380	275231	232555	232556	200375	25 757 03
47 053 12		235415	200383	200380	235006	232555	232556	200375	25 757 03
47 053 13		235415	200383	200380	235006	232555	232556	200375	25 757 03
47 053 14		235415	200383	200380	235006	232555	232556	230075	25 757 03
47 053 15		47 103 01	200383	200380	275231	232555	232556	230075	25 757 03
47 053 16		47 103 01	200383	200380	275231	232555	232556	200375	25 757 03
47 053 17		47 103 01	200383	200380	275231	232555	232556	200375	25 757 03
47 053 20	X-391-10	47 103 01	200383	200380	275231	232555	232556	200375	25 757 03
47 053 24		235415	200383	200380	235006	232555	232556	230075	25 757 03
47 053 29	X-391-10	235415	200383	200380	235006	232555	232556	200375	25 757 03
47 053 30		47 103 01	200383	200380	275231	232555	232556	200375	25 757 03
47 053 35		235415	200383	200380	235006	232555	232556	200375	25 757 03
47 053 40		235415	200383	200380	235006	232555	232556	200375	25 757 03
47 053 41		47 103 01	200383	200380	275231	232555	232556	200375	25 757 03
47 053 62		235415	200383	200380	235006	232555	232556	200375	25 757 03
47 053 63		47 103 01	200383	200380	275231	232555	232556	200375	25 757 03
47 053 78	X-391-10	47 103 01	200383	200380	275231	232555	232556	200375	25 757 03
47 053 80	X-391-10	235415	200383	200380	235006	232555	232556	200375	25 757 03
52 053 09		52 103 01	200383	200380	277210	232555	232556	200375	25 757 03
52 053 18		52 103 01	200383	200380	277210	232555	232556	200375	25 757 03
52 053 28		52 103 01	200383	200380	277210	232555	232556	200375	25 757 03
52 053 60	25 155 02	52 103 01	200383	200380	235006	232555	232556	200375	25 757 03
77 053 06		47 103 01	200383	200380	275231	232555	232556	200375	25 757 03
77 053 07		47 103 01	200383	200380	275231	232555	232556	200375	25 757 03

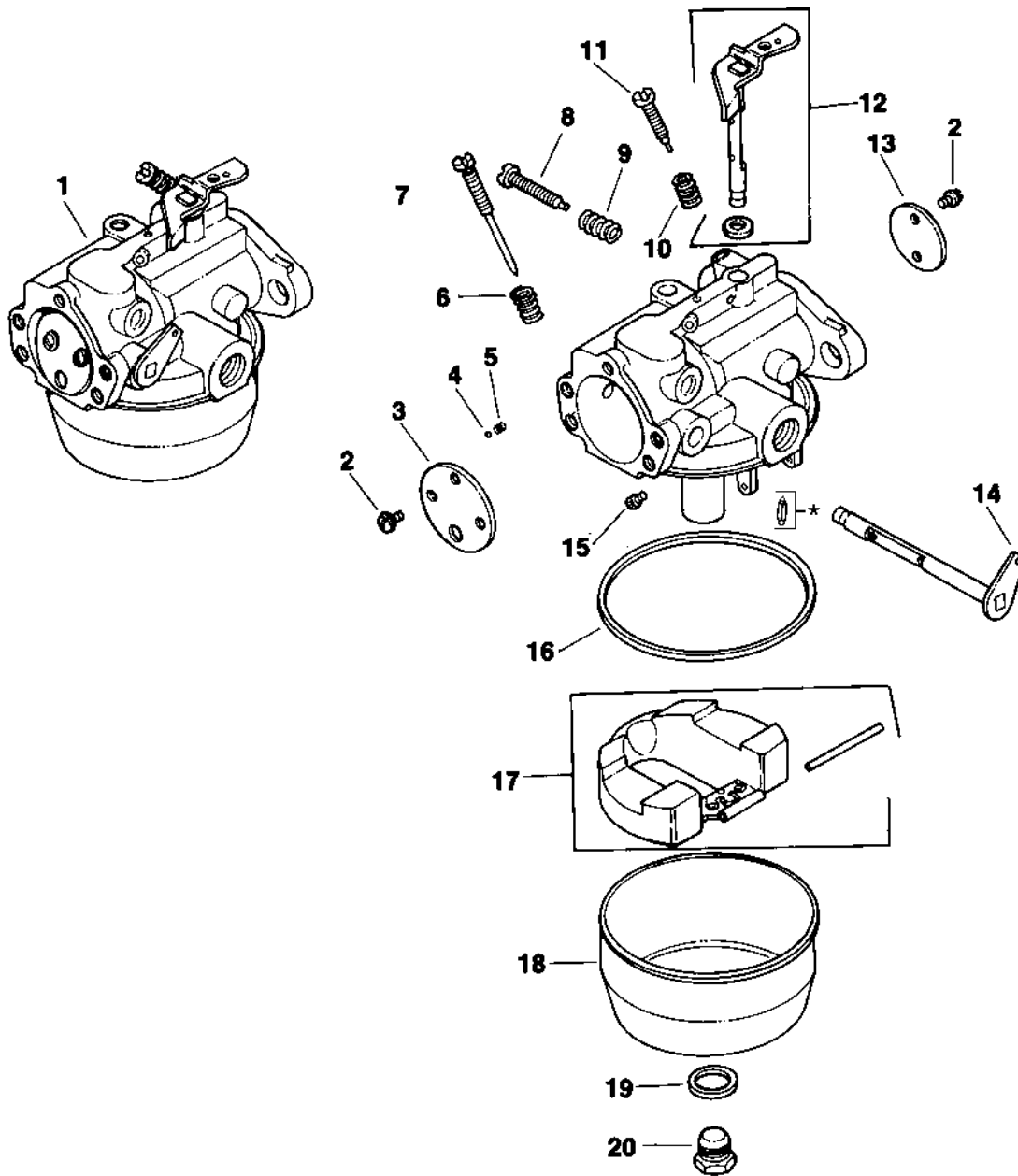
*Included in Carburetor Repair Kit



1" Kohler Adjustable Carburetor

Gasket, Bowl Baffle	Pin Float	Spring, Float	Bowl, Fuel	Screw, Bowl Ret.	Gasket Bowl Ret.	Repair Kit	Shaft Repl. Kit	Solenoid Kit	Carburetor Part No.
11	12	13	14	15	16				
25 041 02	200376		235448	47 100 06	200372	25 757 01	25 757 05		45 053 08
25 041 02	200376		235448	47 100 06	200372	25 757 02	25 757 05		45 053 09
25 041 02	200376	237917	235448	47 100 06	200372	25 757 02	25 757 05		45 053 12
25 041 02	200376		235448	47 100 06	200372	25 757 02	25 757 05		45 053 20
25 041 02	200376		235448	47 100 06	200372	25 757 02	25 757 05		45 053 26
25 041 02	200376		235448	47 100 06	200372	25 757 02	25 757 05		45 053 68
25 041 02	200376		235448	47 100 06	200372	25 757 02	25 757 05		45 053 70
25 041 02	200376		235448	47 100 06	200372	25 757 02	25 757 05		45 053 76
25 041 02	200376		235448	47 100 06	200372	25 757 02	25 757 05		45 053 77
25 041 02	200376		235448	47 100 06	200372	25 757 02	25 757 05		45 053 86
25 041 02	200376		235448	47 100 06	200372	25 757 02	25 757 05		45 083 87
25 041 02	200376		235448	47 100 06	200372	25 757 02	25 757 05		45 053 88
25 041 02	200376		235448	47 100 06	200372	25 757 02	25 757 12		45 053 89
25 041 02	200376		235448	47 100 06	200372	25 757 01	25 757 05		47 053 03
25 041 02	200376		235448	47 100 06	200372	25 757 01	25 757 05		47 053 07
25 041 02	200376		235448	47 100 06	200372	25 757 02	25 757 05		47 053 08
25 041 02	200376		235448	47 100 06	200372	25 757 02	25 757 05		47 053 09
25 041 02	200376		235448	47 100 06	200372	25 757 01	25 757 05		47 053 12
25 041 02	200376		235448	47 100 06	200372	25 757 01	25 757 05		47 053 13
25 041 02	200376		235448	47 100 06	200372	25 757 01	25 757 05		47 053 14
25 041 02	200376		235448	47 100 06	200372	25 757 01	25 757 05		47 053 15
25 041 02	200376		235448	47 100 06	200372	25 757 01	25 757 05		47 053 16
25 041 02	200376		235448	47 100 06	200372	25 757 01	25 757 05		47 053 17
25 041 02	200376		235448	47 100 06	200372	25 757 01	25 757 05		47 053 20
25 041 02	200376	237917	235448	47 100 06	200372	25 757 02	25 757 05		47 053 24
25 041 02	200376		235448	47 100 06	200372	25 757 01	25 757 05		47 053 29
25 041 02	200376	237917	235448	47 100 06	200372	25 757 02	25 757 05		47 053 30
25 041 02	200376	237917	235448	47 100 06	200372	25 757 02	25 757 05		47 053 35
25 041 02	200376		235448	47 100 06	200372	25 757 01	25 757 05		47 053 40
25 041 02	200376		235448	47 100 06	200372	25 757 01	25 757 05		47 053 41
25 041 02	200376		235448	47 100 06	200372	25 757 01	25 757 05		47 053 62
25 041 02	200376		235448	47 100 02	200372	25 757 01	25 757 05		47 053 63
25 041 02	200376	237917	235448	47 100 06	200372	25 757 01	25 757 05		47 053 78
25 041 02	200376		235448	47 100 06	200372	25 757 01	25 757 05		47 053 80
25 041 02	200376		235448	47 100 06	200372	25 757 02	25 757 05		52 053 09
25 041 02	200376		235448	47 100 06	200372	25 757 02	25 757 05		52 053 18
25 041 02	200376		235448	47 100 06	200372	25 757 02	25 757 05	25 755 05	52 053 28
25 041 02	200376		235448	47 100 06	200372	25 757 02		25 755 05	52 053 60
25 041 02	200376		235448	47 100 06	200372	25 757 01	25 757 05		77 053 06
25 041 02	200376		235448	47 100 06	200372	25 757 01	25 757 05		77 053 07

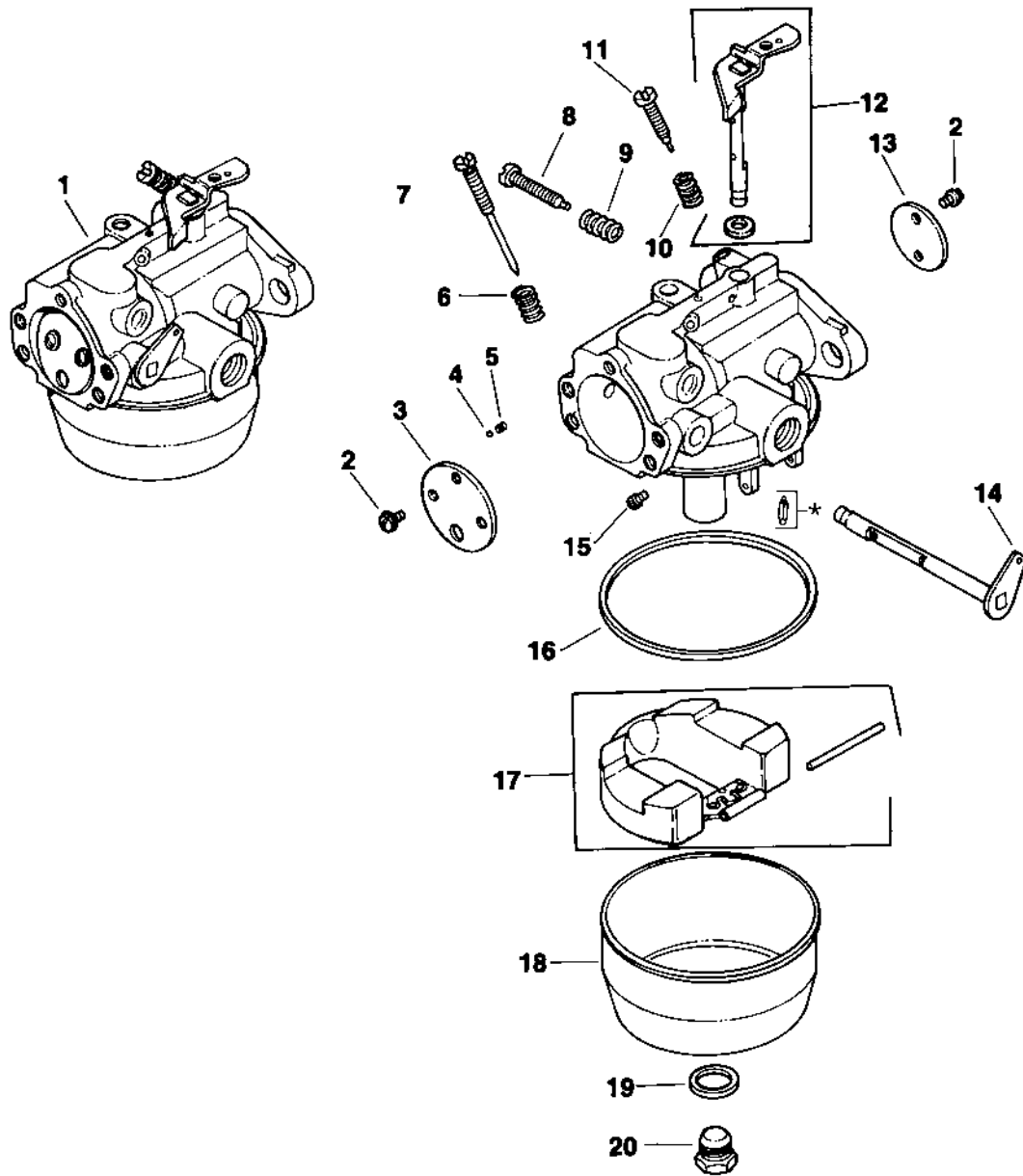
*Included in Carburetor Repair Kit



1/2" Walbro Fixed/Adjustable Carburetor

Carb Part No.	Screw, Thr.& Ch. Plate	Plate, Choke	Ball, Choke	Spring, Choke	Spring Main Needle	Needle Hi-Speed	Screw Throttle Adj.	Spring Throttle Adj.	Spring Idle Needle	Needle Idle Adj.	Thr. Shaft W/Seal
1	2	3	4	5	6	7	8	9	10	11	12
41 053 21	25 086 27	41 146 16	25 194 02	25 089 06			25 086 26	25 089 04	25 089 02	25 368 02	41 144 18
41 053 22	25 086 27	41 146 16	25 194 02	25 089 06			25 086 26	25 089 04	25 089 02	25 368 02	41 144 18
41 053 23	25 086 27	41 146 16	25 194 02	25 089 06			25 086 26	25 089 04	25 089 02	25 368 02	41 144 18
41 053 24	25 086 27	41 146 16	25 194 02	25 089 06			25 086 26	25 089 04	25 089 02	25 368 02	41 144 18
41 053 26	25 086 27	41 146 16	25 194 02	25 089 06			25 086 26	25 089 04	25 089 02	25 368 02	41 144 18
41 053 27	25 086 27	41 146 16	25 194 02	25 089 06	25 089 02	25 368 03	25 086 26	25 089 04	25 089 02	25 368 02	41 144 18
41 053 28	25 086 27	41 146 16	25 194 02	25 089 06	25 089 02	25 368 03	25 086 26	25 089 04	25 089 02	25 368 02	41 144 18
41 053 29	25 086 27	41 146 16	25 194 02	25 089 06	25 089 02	25 368 03	25 086 26	25 089 04	25 089 02	25 368 02	41 144 18
41 053 30	25 086 27	41 146 16	25 194 02	25 089 06	25 089 02	25 368 03	25 086 26	25 089 04	25 089 02	25 368 02	41 144 18
41 053 31	25 086 27	41 146 16	25 194 02	25 089 06	25 089 02	25 368 03	25 086 26	25 089 04	25 089 02	25 368 02	41 144 18
41 053 32	25 086 27	41 146 16	25 194 02	25 089 06	25 089 02	25 368 03	25 086 26	25 089 04	25 089 02	25 368 02	41 144 18
41 053 34	25 086 27	41 146 16	25 194 02	25 089 06	25 089 02	25 368 03	25 086 26	25 089 04	25 089 02	25 368 02	41 144 18
41 053 36	25 086 27	41 146 16	25 194 02	25 089 06	25 089 02	25 368 04	25 086 26	25 089 04	25 089 02	25 368 02	41 144 18
46 053 05	25 086 27	46 146 03	25 194 02	25 089 06	25 089 02	25 368 03	25 086 26	25 089 04	25 089 02	25 368 02	46 144 04

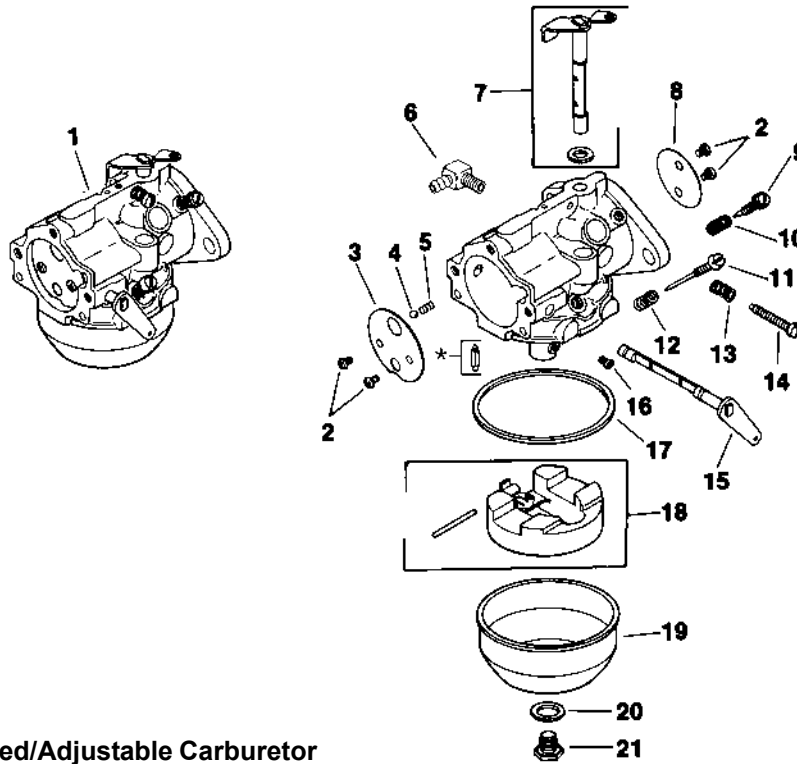
*Included in Carburetor Repair Kit



1/2" Walbro Fixed/Adjustable Carburetor

Plate, Throttle	Shaft, Choke	Jet, Main	Gasket, Bowl	Float Kit	Bowl Fuel	Gasket, Bowl Retl Screw	Screw, Bow Retainer	Repair Kit	Hi-Alt Jet Kit	Carb. Part No.
13	14	15	16	17	18	19	20			1
25 146 05	41 090 20	52 337 08	25 041 04	25 757 09	25 104 01	25 041 03	25 100 05	25 757 11	41 755 30	41 053 21
25 146 05	41 090 21	52 337 08	25 041 04	25 757 09	25 104 01	25 041 03	25 100 05	25 757 11	41 755 30	41 053 22
25 146 05	41 090 20	52 337 08	25 041 04	25 757 09	25 104 01	25 041 03	25 100 05	25 757 11	41 755 30	41 053 23
25 146 05	41 090 22	52 337 08	52 041 04	25 757 09	25 104 01	25 041 03	25 100 05	25 757 11	41 755 30	41 053 26
25 146 05	41 090 22	52 337 08	25 041 04	25 757 09	25 104 01	25 041 03	25 100 05	25 757 11	41 755 30	41 053 26
25 146 05	41 090 22		25 041 04	25 757 09	25 104 01	25 041 03	25 100 05	25 757 11		41 053 27
25 146 05	41 090 20		25 041 04	25 757 09	25 104 01	25 041 03	25 100 05	25 757 11		41 053 28
25 146 05	41 090 21		25 041 04	25 757 09	25 104 01	25 041 03	25 100 05	25 757 11		41 053 29
25 146 05	41 090 20		25 041 04	25 757 09	25 104 01	25 041 03	25 100 05	25 757 11		41 053 30
25 146 05	41 090 22		25 041 04	25 757 09	25 104 01	25 041 03	25 100 05	25 757 11		41 053 31
25 146 05	41 090 20		25 041 04	25 757 09	25 104 01	25 041 03	25 100 05	25 757 11	41 053 32	
25 146 05	41 090 20		25 041 04	25 757 09	25 104 01	25 041 03	25 100 05	25 757 11	41 053 34	
25 146 05	41 090 22		25 041 04	25 757 09	25 104 01	25 041 03	25 100 05	25 757 11	41 053 36	
25 146 05	41 090 20		25 041 04	25 757 09	25 104 01	25 041 03	25 100 05	25 757 11	46 053 05	

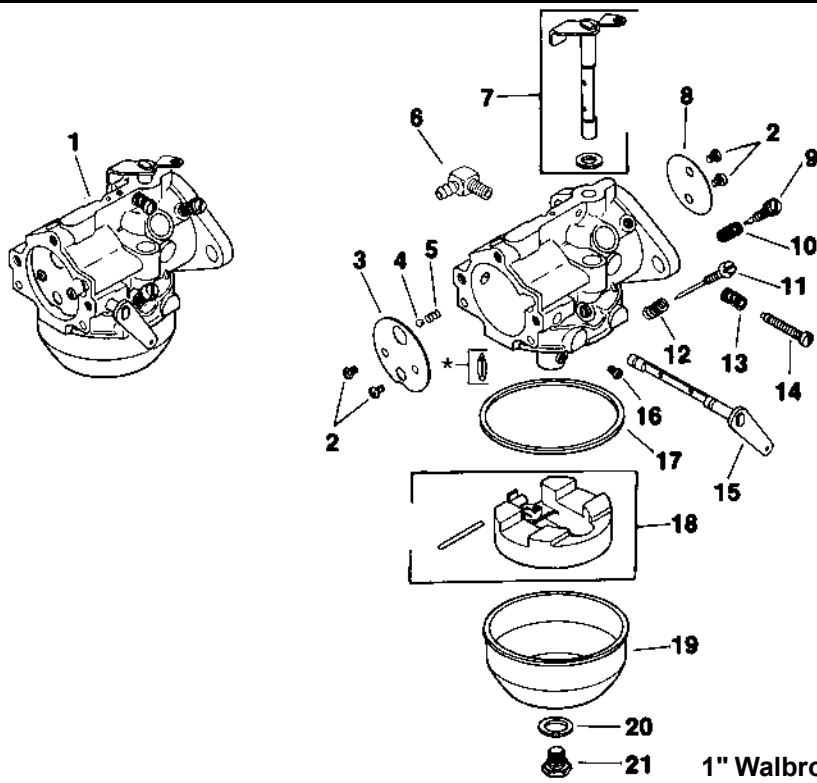
*Included in Carburetor Repair Kit



1" Walbro Fixed/Adjustable Carburetor

Carb Part No.	Screw Thr. & Ch. Plate	Plate, Choke	Ball, Choke	Spring, Choke	Fitting, Breather	Thr. Shaft W/Seal	Plate, Throttle	Needle, Idle Adj.	Speed, Idle Needle	Needle High, Speed	Spring, Main Needle	Spring, Thr. Adj.
1	2	3	4	5	6	7	8	9	10	11	12	13
45 053 71	25 086 27	45 146 07	25 194 01	25 089 03		47 144 25	47 146 10	25 368 01	25 089 02			25 089 04
45 053 72	25 086 27	45 146 07	25 194 01	25 089 03		47 144 25	47 146 10	25 368 01	25 089 02			25 089 04
45 053 73	25 086 27	45 146 07	25 194 01	25 089 03	25 155 05	47 144 25	47 146 10	25 368 01	25 089 02			25 089 04
45 053 74	25 086 27	45 146 07	25 194 01	25 089 03		47 144 25	47 146 10	25 368 01	25 089 02			25 089 04
45 053 75	25 086 27	45 146 07	25 194 01	25 089 03		47 144 25	47 146 10	25 368 01	25 089 02			25 089 04
45 053 78	25 086 27	45 146 07	25 194 01	25 089 03	25 155 05	47 144 25	47 146 10	25 368 01	25 089 02			25 089 04
45 053 79	25 086 27	45 146 07	25 194 01	25 089 03		47 144 25	47 146 10	25 368 01	25 089 02	25 368 03	25 089 02	25 089 04
45 053 81	25 086 27	45 146 07	25 194 01	25 089 03	25 155 05	47 144 25	47 146 10	25 368 01	25 089 02	25 368 03	25 089 02	25 089 04
45 053 82	25 086 27	45 146 07	25 194 01	25 089 03		47 144 25	47 146 10	25 368 01	25 089 02	25 368 03	25 089 02	25 089 04
45 053 83	25 086 27	45 146 07	25 194 01	25 089 03		47 144 25	47 146 10	25 368 01	25 089 02	25 368 03	25 089 02	25 089 04
45 053 84	25 086 27	45 146 07	25 194 01	25 089 03	25 155 05	47 144 25	47 146 10	25 368 01	25 089 02	25 368 03	25 089 02	25 089 04
45 053 90	25 086 27	45 146 07	25 194 01	25 089 03		47 144 25	47 146 10	25 368 01	25 089 02	25 368 03	25 089 02	25 089 04
47 053 64	25 086 27	47 146 09	25 194 01	25 089 03		47 144 25	47 146 10	25 368 01	25 089 02			25 089 04
47 053 65	25 086 27	47 146 08	25 194 01	25 089 03		47 144 21	25 146 02	25 368 01	25 089 02			25 089 04
47 053 66	25 086 27	47 146 08	25 194 01	25 089 03		47 144 21	25 146 02	25 368 01	25 089 03			25 089 04
47 053 67	25 086 27	47 146 08	25 194 01	25 089 03		47 144 21	25 146 02	25 368 01	25 089 02			25 089 04
45 053 68	25 086 27	47 146 08	25 194 01	25 089 03		47 144 21	25 146 02	25 368 01	25 089 03			25 089 04
47 053 69	25 086 27	47 146 08	25 194 01	25 089 03		47 144 25	47 146 10	25 368 01	25 089 02			25 089 04
47 053 70	25 086 27	47 146 09	25 194 01	25 089 03		47 144 25	47 146 10	25 368 01	25 089 02			25 089 04
47 053 71	25 086 27	47 146 09	25 194 01	25 089 03	25 155 05	47 144 25	47 146 10	25 368 01	25 089 02			25 089 04
47 053 72	25 086 27	47 146 08	25 194 01	25 089 03	25 155 05	47 144 21	25 146 02	25 368 01	25 089 03			25 089 04
47 053 74	25 086 27	47 146 08	25 194 01	25 089 03		47 144 21	25 146 02	25 368 01	25 089 03			25 089 04
47 053 75	25 086 27	47 146 09	25 194 01	25 089 03		47 144 25	47 146 10	25 368 01	25 089 02			25 089 04
47 053 79	25 086 27	47 146 08	25 194 01	25 089 03	25 155 05	47 144 25	47 146 10	25 368 01	25 089 02			25 089 04
47 053 81	25 086 27	47 146 09	25 194 01	25 089 03		47 144 25	47 146 10	25 368 01	25 089 02	25 368 03	25 089 02	25 089 04
47 053 82	25 086 27	47 146 09	25 194 01	25 089 03	25 155 05	47 144 25	47 146 10	25 368 01	25 089 02			25 089 04
47 053 83	25 086 27	47 146 08	25 194 01	25 089 03		47 144 21	25 146 02	25 368 01	25 089 02			25 089 04
47 053 84	25 086 27	47 146 08	25 194 01	25 089 03	25 155 05	47 144 21	25 146 02	25 368 01	25 089 02			25 089 04
47 053 85	25 086 27	47 146 08	25 194 01	25 089 03		47 144 21	25 146 02	25 368 01	25 089 02			25 089 04
47 053 86	25 086 27	47 146 08	25 194 01	25 089 03		47 144 21	25 146 02	25 368 01	25 089 02	25 368 03	25 089 02	25 089 04
47 053 87	25 086 27	47 146 08	25 194 01	25 089 03		47 144 21	25 146 02	25 368 01	25 089 02	25 368 03	25 089 02	25 089 04
47 053 88	25 086 27	47 146 08	25 194 01	28 089 03		47 144 21	25 146 02	25 368 01	25 089 02	25 368 03	25 089 02	25 089 04
47 053 89	25 086 27	47 146 08	25 194 01	25 089 03		47 144 21	25 146 02	25 368 01	25 089 02	25 368 03	25 089 02	25 089 04
47 053 90	25 086 27	47 146 08	25 194 01	25 089 03		47 144 21	25 146 02	25 368 01	25 089 02	25 368 03	25 089 02	25 089 04
47 053 91	25 086 27	47 146 08	25 194 01	25 089 03		47 144 21	25 146 02	25 368 01	25 089 02	25 368 03	25 089 02	25 089 04

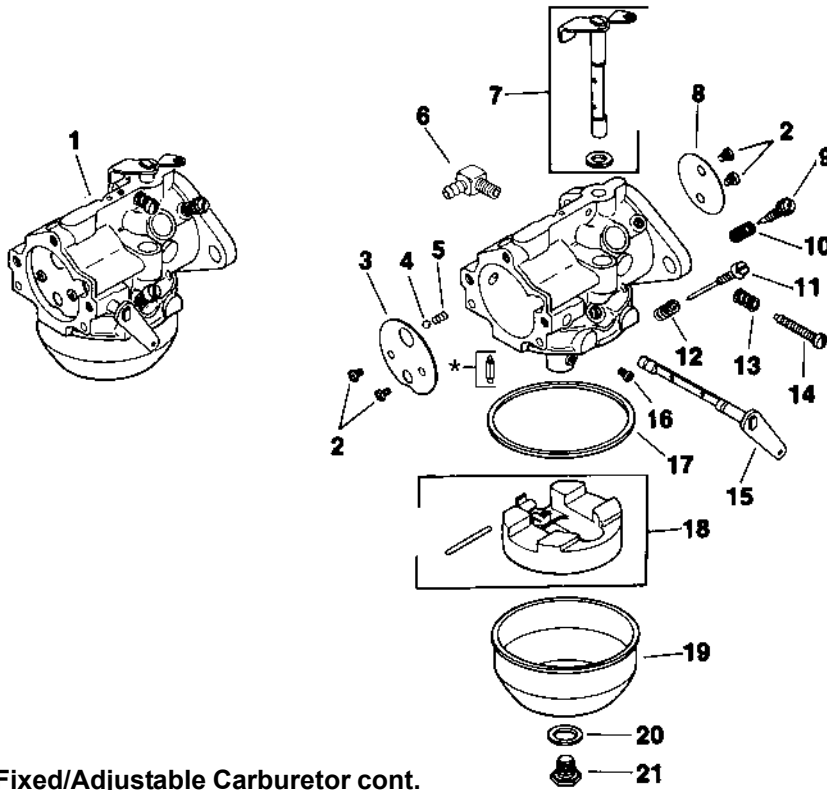
*Included in Carburetor Repair Kit



1" Walbro Fixed/Adjustable Carburetor

Screw, Throat Adj.	Shaft, Choke	Jet, main	Gasket, Bowl	Float Kit	Bowl, Fuel	Gasket, Bowl Ret. Screw	Screw, Bowl Retainer	Repair Kit	Hi-Alt Jet Kit	Solenoid Kit	Carb. Part No.
14	15	16	17	18	19	20	21				1
25 086 26	47 090 38	45 337 01	25 041 04	25 757 09	25 104 01	25 041 03	25 100 05	25 757 08	45 755 14		45 053 71
25 086 26	47 090 34	45 337 01	25 041 04	25 757 09	25 104 01	25 041 03	25 100 05	25 757 08	45 755 14		45 053 72
25 086 26	47 090 35	45 337 01	25 041 04	25 757 09	25 104 01	25 041 03	25 100 05	25 757 08	45 755 14		45 053 73
25 086 26	47 090 37	45 337 01	25 041 04	25 757 09	25 104 01	25 041 03	25 100 05	25 757 08	45 755 14		45 053 74
25 086 26	47 090 38	45 337 01	25 041 04	25 757 09	25 104 01	25 041 03	25 100 05	25 757 08	45 755 14		45 053 75
25 086 26	47 090 38	45 337 01	25 041 04	25 757 09	25 104 01	25 041 03	25 100 05	25 757 08	45 755 14		45 053 78
25 086 26	47 090 38		25 041 04	25 757 09	25 104 01	25 041 03	25 100 05	25 757 11		52 435 06	45 053 79
25 086 26	47 090 35		25 041 04	25 757 09	25 104 01	25 041 03	25 100 05	25 757 11			45 053 81
25 086 26	47 090 37		25 041 04	25 757 09	25 104 01	25 041 03	25 100 05	25 757 11			45 053 82
25 086 26	47 090 38		25 041 04	25 757 09	25 104 01	25 041 03	25 100 05	25 757 11			45 053 83
25 086 26	47 090 38		25 041 04	25 757 09	25 104 01	25 041 03	25 100 05	25 757 11			45 053 84
25 086 26	47 090 38		25 041 04	25 757 09	25 104 01	25 041 03	25 100 05	25 757 11			45 083 90
25 086 26	47 090 38	52 337 08	25 041 04	25 757 09	25 104 01	25 041 03	25 100 05	25 757 08	47 755 38		47 053 64
25 086 26	47 090 38	47 337 02	25 041 04	25 757 09	25 104 01	25 041 03	25 100 05	25 757 08	45 755 14		47 053 65
25 086 26	47 090 35	47 337 02	25 041 04	25 757 09	25 104 01	25 041 03	25 100 05	25 757 08	47 755 36		47 053 66
25 086 26	47 090 34	47 337 02	25 041 04	25 757 09	25 104 01	25 041 03	25 100 05	25 757 08	47 755 36		47 053 67
25 086 26	47 090 35	47 337 02	25 041 04	25 757 09	25 104 01	25 041 03	25 100 05	25 757 08	47 755 36		47 053 68
25 086 26	47 090 34	52 337 08	25 041 04	25 757 09	25 104 01	25 041 03	25 100 05	25 757 08	47 755 38		47 053 69
25 086 26	47 090 36	52 337 08	25 041 04	25 757 09	25 104 01	25 041 03	25 100 05	25 757 08	47 755 38		47 053 70
25 086 26	47 090 38	52 337 08	25 041 04	25 757 09	25 104 01	25 041 03	25 100 05	25 757 08	47 755 38		47 053 71
25 086 26	47 090 35	47 337 02	25 041 04	25 757 09	25 104 01	25 041 03	25 100 05	25 757 08	47 755 36		47 053 72
25 086 26	47 090 37	47 337 02	25 041 04	25 757 09	25 104 01	25 041 03	25 100 05	25 757 08	47 755 36		47 053 74
25 086 26	47 090 37	52 337 08	25 041 04	25 757 09	25 104 01	25 041 03	25 100 05	25 757 08	47 755 38		47 053 75
25 086 26	47 090 38	52 337 08	25 041 04	25 757 09	25 104 01	25 041 03	25 100 05	25 757 08	47 755 38		47 053 79
25 086 26	47 090 35	47 337 02	25 041 04	25 757 09	25 104 01	25 041 03	25 100 05	25 757 08	47 755 36		47 053 81
25 086 26	47 090 38	52 337 08	25 041 04	25 757 09	25 104 01	25 041 03	25 100 05	25 757 08	47 755 38		47 053 82
25 086 26	47 090 38	47 337 02	25 041 04	25 757 09	25 104 01	25 041 03	25 100 05	25 757 08	47 755 36		47 053 83
25 086 26	47 090 38	47 337 02	25 041 04	25 757 09	25 104 01	25 041 03	25 100 05	25 757 08	47 755 36		47 053 84
25 086 26	47 090 35	47 337 02	25 041 04	25 757 09	25 104 01	25 041 03	25 100 05	25 757 08	47 755 36		47 053 85
25 086 26	47 090 38		25 041 04	25 757 09	25 104 01	25 041 03	25 100 05	25 757 08			47 053 86
25 086 26	47 090 35		25 041 04	25 757 09	25 104 01	25 041 03	25 100 05	25 757 08			47 053 87
25 086 26	47 090 34		25 041 04	25 757 09	25 104 01	25 041 03	25 100 05	25 757 08			47 053 88
25 086 26	47 090 35		25 041 04	25 757 09	25 104 01	25 041 03	25 100 05	25 757 08			47 053 89
25 086 06	47 090 35		25 041 05	25 757 09	25 104 01	25 041 03	25 100 05	25 757 08			47 053 90
25 086 26	47 090 37		25 041 04	25 757 09	25 104 01	25 041 03	25 100 05	25 757 08			47 053 91

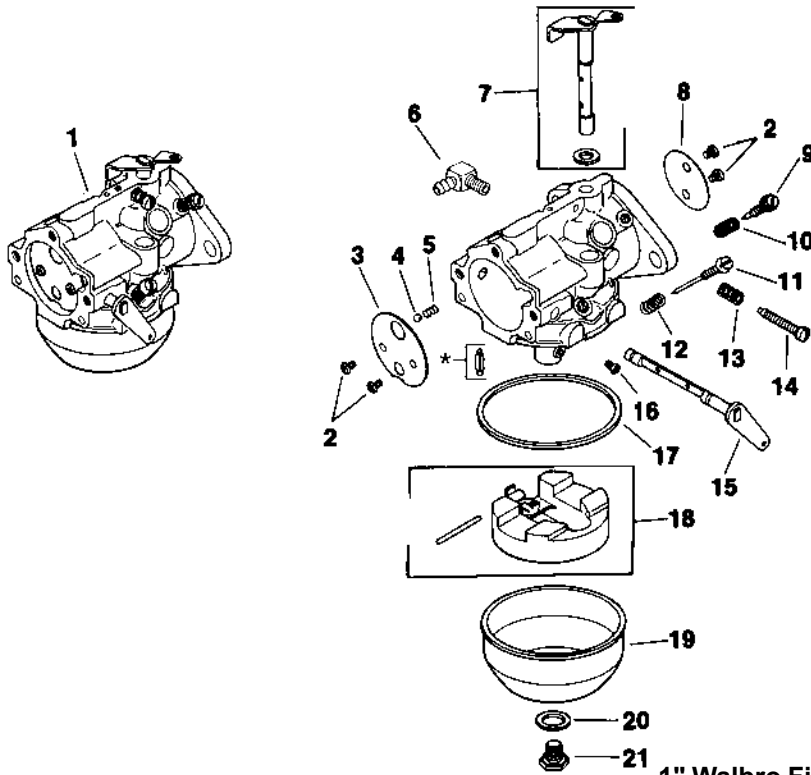
*Included in Carburetor Repair Kit



1" Walbro Fixed/Adjustable Carburetor cont.

Carb Part No.	Screw, Thr. & Ch. Plate	Plate, Choke	Ball, Choke	Spring, Choke	Fitting Breather	Thr. Shaft W/Seal	Plate, Throttle	Needle, Idle Adj.	Spring, Idle Needle	Needle, Hi-Speed	Spring, Main Needle	Spring, Thr. Adj.
1	2	3	4	5	6	7	8	9	10	11	12	13
47 053 92	25 086 27	47 146 08	25 194 01	25 089 03		47 144 21	25 146 02	25 368 01	25 089 02	25 368 03	25 089 02	25 089 04
47 053 93	25 086 27	47 146 08	25 194 01	25 089 03		47 144 21	25 146 02	25 368 01	25 089 02	25 368 03	25 089 02	25 089 04
47 053 94	25 086 27	47 146 08	25 194 01	25 089 03		47 144 21	25 146 02	25 368 01	25 089 02	25 368 03	25 089 02	25 089 04
47 053 96	25 086 27	47 146 09	25 194 01	25 089 03		47 144 25	47 146 10	25 368 01	25 089 02	25 368 03	25 089 02	25 089 04
47 053 98	25 086 27	47 146 09	25 194 01	25 089 03		47 144 25	47 146 10	25 368 01	25 089 02	25 368 03	25 089 02	25 089 04
47 053 99	25 086 27	47 146 09	25 194 01	25 089 03	25 155 05	47 144 25	47 146 10	25 368 01	25 089 02	25 368 03	25 089 02	25 089 04
52 053 20	25 086 27	25 146 03	25 194 01	25 089 03		52 144 16	25 146 02	25 368 01	25 089 02			25 089 04
52 053 21	25 086 27	25 146 03	25 194 01	25 089 03		52 144 16	25 146 02	25 368 01	25 089 02			25 089 04
52 053 26	25 086 27	25 146 03	25 194 01	25 089 03		52 144 16	25 144 02	25 368 01	25 089 02			25 089 04
52 053 27	25 086 27	25 146 03	25 194 01	25 089 03		52 144 16	25 146 02	25 368 01	25 089 02			25 089 04
52 053 31	25 086 27	25 146 03	25 194 01	25 089 03		25 144 18	25 146 02	25 368 01	25 089 02			25 089 04
52 053 32	25 086 27	25 146 03	25 194 01	25 089 03		52 144 18	25 146 02	25 368 01	25 089 02			25 089 04
52 053 34	25 086 27	25 146 03	25 194 01	25 089 03		25 144 16	25 146 02	25 368 01	25 089 02			25 089 04
52 053 36	25 086 27	25 146 03	25 194 01	25 089 03		52 144 16	25 146 02	25 368 01	25 089 02			25 089 04
52 053 37	25 086 27	25 146 03	25 194 01	25 089 03		52 144 18	25 146 02	25 368 01	25 089 02			25 089 04
52 053 38	25 086 27	25 146 03	25 194 01	25 089 03		52 144 18	25 146 02	25 368 01	25 089 02			25 089 04
52 053 46	25 086 27	25 146 03	25 194 01	25 089 03		52 144 18	25 146 02	25 368 01	25 089 02			25 089 04
52 053 47	25 086 27	25 146 03	25 194 01	25 089 03		52 144 18	25 146 02	25 368 01	25 089 02			25 089 04
52 053 50	25 086 27	25 146 03	25 194 01	25 089 03		52 144 18	25 146 02	25 368 01	25 089 02	25 368 03	25 089 02	25 089 04
52 053 51	25 086 27	25 146 03	25 194 01	25 089 03		52 144 18	25 146 02	25 368 01	25 089 02	25 368 03	25 089 02	25 089 04
52 053 52	25 083 27	25 146 03	25 194 01	25 089 03		52 144 18	25 146 02	25 368 01	25 089 02	25 368 03	25 089 02	25 089 04
52 053 54	25 086 27	25 146 03	25 194 01	25 089 03		52 144 18	25 146 02	25 368 01	25 089 02	25 368 03	25 089 02	25 089 04
52 053 55	25 086 27	25 146 03	25 194 01	25 089 03		52 144 16	25 146 02	25 368 01	25 089 02	25 368 03	25 089 02	25 089 04
52 053 56	25 086 27	25 146 03	25 194 01	25 089 03		52 144 18	25 146 02	25 368 01	25 089 02	25 368 03	25 089 02	25 089 04
52 053 58	25 086 27	25 146 03	25 194 01	25 089 03		52 144 18	25 146 02	25 368 01	25 089 02	25 368 03	25 089 02	25 089 04
52 053 59	25 086 27	25 146 03	25 194 01	25 089 03		52 144 18	25 146 02	25 368 01	25 089 02	25 368 03	25 089 02	25 089 04
52 053 63	25 086 27	25 146 03	25 194 01	25 089 03		52 144 18	25 146 02	25 368 01	25 089 02	25 368 03	25 089 02	25 089 04
52 053 66	25 086 27	25 146 03	25 194 01	25 089 03		52 144 18	25 146 02	25 368 01	25 089 02	25 368 03	25 089 02	25 089 04
52 053 69	25 086 27	52 146 10			52 054 45	52 144 22	25 146 05	25 368 02	25 089 02	52 368 03	25 089 02	
77 053 01	25 086 27	47 146 09	25 194 01	25 089 03		47 144 25	47 146 10	25 368 01	25 089 02	25 368 03	25 089 02	25 089 04
77 053 02	25 086 27	47 146 09	25 194 01	25 089 03	25 155 05	47 144 25	47 146 10	25 368 01	25 089 02	25 368 03	25 089 02	25 089 04
77 053 03	25 086 27	47 146 09	25 194 01	25 089 03		47 144 25	47 146 10	25 368 01	25 089 02	25 368 03	25 089 02	25 089 04
77 053 04	25 086 27	47 146 09	25 194 01	25 089 03		47 144 25	47 146 10	25 368 01	25 089 02	25 368 03	25 089 02	25 089 04
77 053 05	25 086 27	47 146 09	25 194 01	25 089 03		47 144 25	47 146 10	25 368 01	25 089 02			25 089 04

*Included in Carburetor Repair Kit



1" Walbro Fixed/Adjustable Carburetor cont.

Screw, Thr. Adj.	Shaft, Choke	Jet, Main	Gasket, Bowl	Float Kit	Bowl Fuel	Gasket, Bowl Ret. Screw	Screw, Bowl Retainer	Repair Kit	Hi-Alt Jet Kit	Solenoid Kit	Carb. Part No.
14	15	16	17	18	19	20	21				1
25 086 26	47 090 38		25 041 04	25 757 09	25 104 01	25 041 03	25 100 05	25 757 08			47 053 92
25 086 26	47 090 38		25 041 04	25 757 09	25 104 01	25 041 03	25 100 05	25 757 08			47 053 93
25 086 26	47 090 35		25 041 04	25 757 09	25 104 01	25 041 03	25 100 05	25 757 11			45 053 94
25 086 26	47 090 38		25 041 04	25 757 09	25 104 01	25 041 03	25 100 05	25 757 11			47 053 96
25 086 26	47 090 36		25 041 04	25 757 09	25 104 01	25 041 03	25 100 05	25 757 11			47 053 98
25 086 26	47 090 34		25 041 04	25 757 09	25 104 01	25 041 03	25 100 05	25 757 11			47 053 99
25 086 26	52 090 12	52 337 01	25 041 04	25 757 09	25 104 01	25 041 03	25 100 05	25 757 08	52 755 68		52 053 20
25 086 26	52 090 13	52 337 01	25 041 04	25 757 09	25 104 01	25 041 03	25 100 05	25 757 08	52 755 68		52 053 21
25 086 26	52 090 12	52 337 03	25 041 04	25 757 09	25 104 01	25 041 03	25 100 05	25 757 08	52 755 74		52 053 26
25 086 26	52 090 13	52 337 03	25 041 04	25 757 09	25 104 01	25 041 03	25 100 05	25 757 08	52 755 74		52 053 27
25 086 26	52 090 12	52 337 06	25 041 04	25 757 09	25 104 01	25 041 03	25 100 05	25 757 08	52 755 98		52 053 31
25 086 26	52 090 13	52 337 06	25 041 04	25 757 09	25 104 01	25 041 03	25 100 05	25 757 08	52 755 98		52 053 32
25 086 26	52 090 13	52 337 06	25 041 04	25 757 09	25 104 01	25 041 03	25 100 05	25 757 08	52 755 98		52 053 34
25 086 26	52 090 12	52 337 06	25 041 04	25 757 09	25 104 01	25 041 03	25 100 05	25 757 08	52 755 98		52 053 36
25 086 26	52 090 12	25 337 09	25 041 04	25 757 09	25 104 01	25 041 03	25 100 05	25 757 08	52 755 98	25 755 06	52 053 37
25 086 26	52 090 12	52 337 07	25 041 04	25 757 09	25 104 01	25 041 03	25 100 05	25 757 08	52 755 96	25 775 06	52 053 38
25 086 26	52 090 12	52 337 01	25 041 04	25 757 09	25 104 01	25 041 03	25 100 05	25 757 08	52 755 68		52 053 46
25 086 26	52 090 13	52 337 01	25 041 04	25 757 09	25 104 01	25 041 03	25 100 05	25 757 08	52 755 68		52 053 47
25 086 26	52 090 12		25 041 04	25 757 09	25 104 01	25 041 03	25 100 05	25 757 08			52 053 50
25 086 26	52 090 13		25 041 04	25 757 09	25 104 01	25 041 03	25 100 05	25 757 08			52 053 51
25 086 26	52 090 12		25 041 04	25 757 09	25 104 01	25 041 03	25 100 05	25 757 11		25 755 096	52 053 52
25 086 26	52 090 13		25 041 04	25 757 09	25 104 01	25 041 03	25 100 05	25 757 08			52 053 54
25 086 26	52 090 13		25 041 04	25 757 09	25 104 01	25 041 03	25 100 05	25 757 08			52 053 55
25 086 26	52 090 12		25 041 04	25 757 09	25 104 01	25 041 03	25 100 05	25 757 11		25 757 06	52 053 56
25 086 26	52 090 12		25 041 04	25 757 09	25 104 01	25 041 03	25 100 05	25 757 08			52 053 58
25 086 26	52 090 13		25 041 04	25 757 09	25 104 01	25 041 03	25 100 05	25 757 08			52 053 59
25 086 26	52 090 12		25 041 04	25 757 09	25 104 01	25 041 03	25 100 05	25 757 08			52 053 63
25 086 26	52 090 12		25 041 04	25 757 09	25 104 01	25 041 03	25 100 05	25 757 11			52 053 66
	52 144 20		25 041 04	25 757 09	25 104 01	25 041 03		52 757 04		52 435 06	52 053 69
25 086 26	47 090 37		25 041 04	25 757 09	25 104 01	25 041 03	25 100 05	25 757 11			77 053 01
25 086 26	47 090 38		25 041 04	25 757 09	25 104 01	25 041 03	25 100 05	25 757 11			77 053 02
25 086 26	47 090 38		25 041 04	25 757 09	25 104 01	25 041 03	25 100 05	25 757 11			77 053 03
25 086 26	47 090 35		25 041 04	25 757 09	25 104 01	25 041 03	25 100 05	25 757 11			77 053 04
25 086 26	47 090 38	52 337 08	25 041 04	25 757 09	25 104 01	25 041 03	25 100 05	25 757 08	45 755 38		77 053 05

*Included in Carburetor Repair Kit