



A TEREX BRAND

Parts Manual

Serial Number Range

Z-34/22N

from SN Z3415D-101 to

Z3416D-279

from SN Z34ND-280

Part No. 1285598GT

Rev: A5

March 2021

Technical Publications

Genie has endeavored to deliver the highest degree of accuracy possible. However, continuous improvement of our products is a Genie policy. Therefore, product specifications are subject to change without notice.

Readers are encouraged to notify Genie of errors and send in suggestions for improvement. All communications will be carefully considered for future printings of this and all other manuals.

Contact Us:

Internet: www.genielift.com
e-mail: awp.techpub@terex.com

Find a Manual for this Model


Go to <http://www.genielift.com>

Use the links to locate Operator's, Parts, Maintenance, and Service and Repair Manuals.

Copyright © 2017 by Terex South Dakota, Inc.

1285598GT Rev A5 March 2021
First Edition, Second Printing

Genie is a registered trademark of Terex South Dakota, Inc. in the USA and many other countries. "Z" is a trademark of Terex South Dakota, Inc.

 Printed on recycled paper

To August 31, 2016

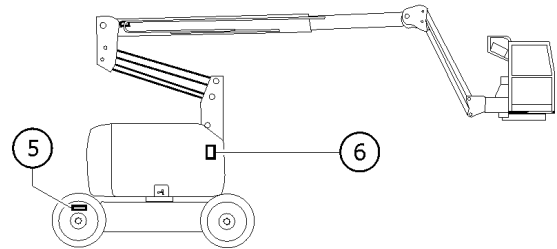
Genie
A TEREX BRAND

Model:
Serial number: Z3416D-12345
Manufacture date: 1/2/16
Electrical schematic number:
Machine unladen weight:
Rated work load (including occupants):
Maximum number of platform occupants:
Maximum allowable side force:
Maximum allowable inclination of the chassis:

Model year: 2016

Z34 16 D - 12345

1 2 3 4



- 1 Model
- 2 Model year
- 3 Facility code

- 4 Sequence number
- 5 Serial number (stamped on chassis)
- 6 Serial label (located under cover)

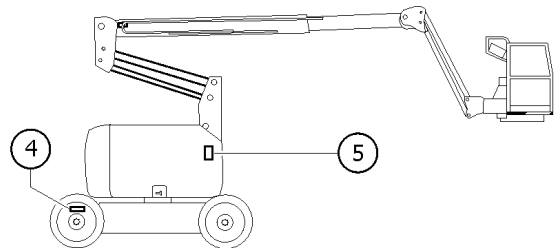
From September 1, 2016

Genie
A TEREX BRAND

Model:
Serial number: Z34D-12345
Year of manufacture: 2016
Electrical schematic number:
Machine unladen weight:
Rated work load (including occupants):
Maximum number of platform occupants:
Maximum allowable side force:
Maximum allowable inclination of the chassis:

Z34 D - 12345

1 2 3



- 1 Model
- 2 Facility code
- 3 Sequence number

- 4 Serial number (stamped on chassis)
- 5 Serial label (located under cover)

How to Order Parts

Please be prepared with the following information when ordering replacement parts for your Terex or Genie product.

- Machine model number
- Machine serial number
- Part number
- Part description and quantity
- Purchase order number
- "Ship to" address
- Desired method of shipment
- Name and telephone number of the authorized distributor in your area

Use the Service Parts Fax Order Form on the next page and fax your order to our Parts Department.

If you don't know the name of your authorized distributor, or if your area is not currently serviced by an authorized distributor, please call Terex or Genie Industries.

Machine Information

Model

Serial Number

Date of Purchase

Authorized Genie Distributor

Phone Number

North America

Telephone (425)881-1800
 Toll Free (800)536-1800 in US and Canada
 Fax (425)556-8659
 Toll Free fax (888)274-6192
 Email AWP.PartsSalesPO@terex.com
<http://genielift.com/en>

EMEAR (Europe, Middle East, Africa and Russia)

Telephone (31)(165)519 313
 Fax (31)(165)511 148
<http://genielift.co.uk>

Asia Pacific (Genie Singapore)

Telephone +65 6692 7777
 Fax +65 6261 8893
<http://genielift.com.sg/>

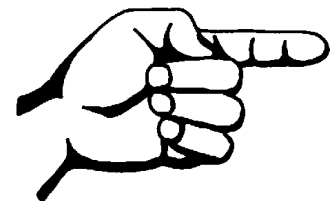
Australia

Telephone (61)(7)3456 4444
 Fax (61)(7)3456 4466
<http://genielift.com.au>

South America

Telephone (55)(11)4082 5600
 Fax (55)(11)4082 5630

Please refer to section 001 for the Recommended Spare Parts List.



This page intentionally left blank.



Service Parts Fax Order Form

Fax to: (425) 556-8659 or Toll Free: 888-274-6192
International: +1-425-556-8659

Please fill out completely

Date _____ Account Number _____

Your Name _____ Your Fax Number _____

_____ Your Phone Number _____

Bill To _____ Ship To _____

Purchase Order Number _____ Ship Via _____

Model(s) _____ Serial No.(s) _____

Optional Equipment _____

Part Number	Description	Quantity	Price

All back-ordered parts will be shipped when available via the same ship method as the original order unless Noted below:

- Ship complete order only - No back orders
- Ship all available parts and contact customer on disposition of back-ordered parts
- Other (please specify)

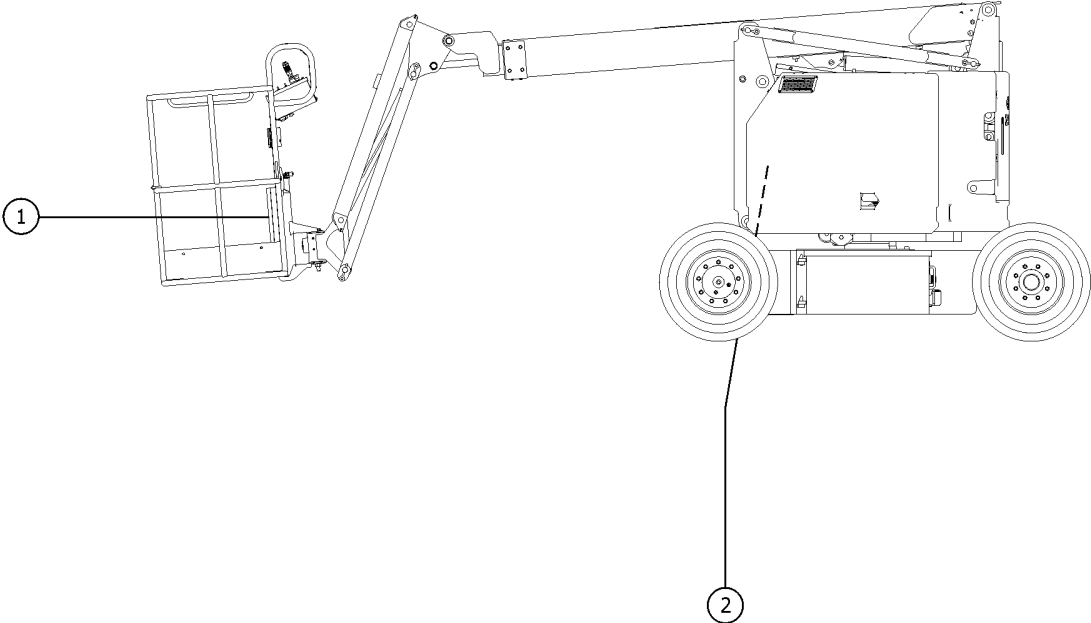


Description	Page
001 Parts Stocking List	10
001.1 Parts Stocking List	10
100 Decals	12
101.1 Word Decals, Chassis/Battery Box	12
102.1 Word Decals, Turntable	14
103.1 Word Decals, Boom	16
104.1 Word Decals, Platform	18
105.1 Symbol Decals, Chassis/Battery Box	20
106.1 Symbol Decals, Turntable	22
107.1 Symbol Decals, Boom	24
108.1 Symbol Decals, Platform	26
109.1 Decals with Word, Chassis/Battery Box, From Sep 1, 2020	28
110.1 Decals with Word, Turntable Covers, From Sep 1, 2020	30
111.1 Decals with Word, Boom, From Sep 1, 2020	32
112.1 Decals with Word, Platform, From Sep 1, 2020	34
113.1 Decals with Symbol, Chassis/Battery Box, From Sep 1, 2020	36
114.1 Decals with Symbol, Turntable Covers, From Sep 1, 2020	38
115.1 Decals with Symbol, Boom, From Sep 1, 2020	40
116.1 Decals with Symbol, Platform, From Sep 1, 2020	42
200 Chassis Components	44
201.1 Steer End	44
202.1 Non-Steer End, Electronic Control Module	48
203.1 Battery Charger	56
204.1 Battery Packs	58
300 Turntable Components	60
301.1 Turntable Rotator	60
302.1 Ground Control Side - View 1	64
302.2 Ground Control Side - View 2	68
303.1 Hydraulic Tank Side	70
304.1 Turntable Covers	74
305.1 Ground Control Panel	78
306.1 Wire Harness Diagram	82
500 Boom Components	84
500.1 Boom Layout	84
501.1 Secondary Boom, View 1	86
502.1 Secondary Boom, View 2	90
503.1 Upper Pivot	92

Table of Contents

Description	Page
504.1 Primary and Extension Booms	94
505.1 Cable Track	98
506.1 Jib Boom and Platform Rotator	100
600 Platform Components	104
601.1 Platform	104
602.1 Platform Control Box, External View	108
603.1 Platform Control Box, Internal View	112
604.1 Joystick Controller, Drive/Steer Functions	116
605.1 Rotation Controller, Boom Function Speed	118
700 Hydraulic Components	120
701.1 Function Manifold	120
702.1 Jib Boom and Platform Rotate Manifold	126
703.1 Drive Chassis Hoses	128
704.1 Turntable Hoses	130
705.1 Boom Hoses	132
706.1 Hydraulic Power Unit	134
800 Accessories	136
801.1 Air Line to Platform	136
802.1 Aircraft Protection	138
803.1 Auxiliary Rail Assembly	142
804.1 Flashing Beacon and Alarm	144
805.1 Hostile Environment, Wiper	146
806.1 Hostile Environment, Cylinder Bellows	148
807.1 Drive Light	150
808.1 Inverter, 120V	152
809.1 Platform Control Box Cover, Tool Tray and Work Light	154
810.1 Platform Half Mesh, Swing Gate and Pipe Cradle	156
811.1 Platform Overload, CE and AUS	158
812.1 Operators Protection Alarm (to January 2017)	160
812.2 Lift Guard Contact Alarm (from January 2017)	164
813.1 Charger Protector	168
814.1 Telematics Option	170
814.2 China Telematics Option, TZ200, STD	172
Part Number Index	174

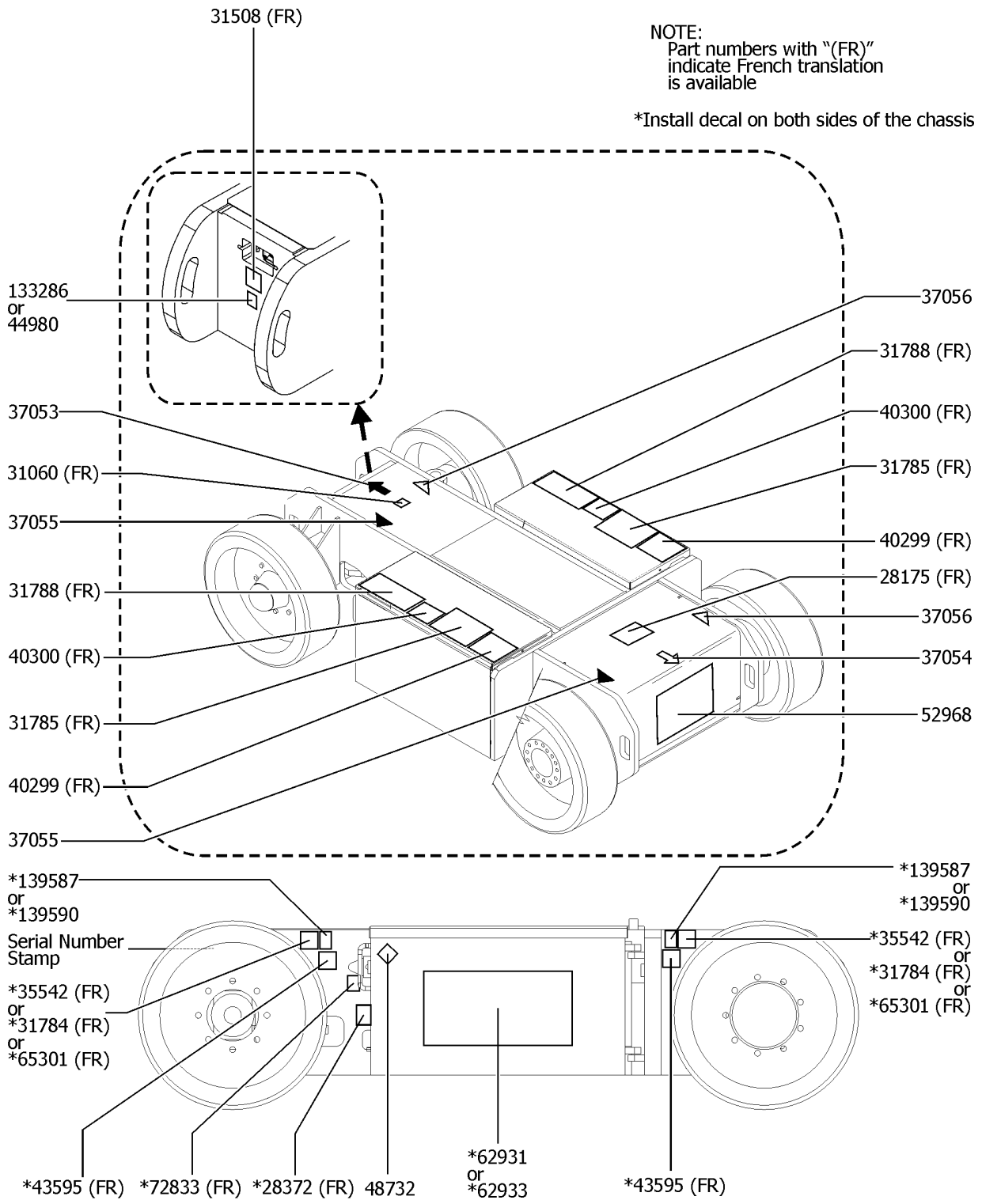
001.1 Parts Stocking List



Item	Part No.	Description	Qty.
A		— GENERAL SERVICE PARTS —	
A-	1484GT	PAINT,AEROSOL,BRIGHT BLUE*** 12-ounce spray paint	
A-	1268GT	PAINT,AEROSOL,GENIE GRAY*** 12-ounce spray paint	
A-	1258567GT	PAINT, AEROSOL, TRAFFIC BLACK 12-ounce spray paint	
A-	32150GT	PAINT,WET,GENIE BLUE (1 GL)** 1-gallon	
A-	32151GT	PAINT,WET,GENIE GRAY (1 GL)** 1-gallon	
A-	1257733GT	TRAFFIC BLACK,GL 1-gallon	
A-	66399GT	GREASE,DIELECTRIC 4 OZ**	
A-	1283776GT	SEAL MARKER,CROSS CHECK,BLUE,TUBE	
A-	93500GT	PARKER DIGITAL PRESSURE GAUGE	
A-	49612GT	O-RING KIT (ORFS FITTINGS) O-ring kit, ORFS	
A-	49613GT	PLUG AND CAP KIT-SERVICE,ORFS* Plug and cap kit, ORFS	
A-	28750GT	O-RING KIT,FIELD SVC,ALL PROD* O-ring kit, SAE	
A-	33994GT	PLUG AND CAP KIT-SERVICE,37 ** Plug and cap kit, SAE	
A-	36555GT	CHOCK,CYLINDER (SERVICE TOOL)	
1		— MANUALS —	
1-	27581GT	MANUAL,AEM SAFETY	
1-	31779GT	MANUAL,RESPON,A92.5 BOOM	
2		— HYD FILTERS —	
2-	44788GT	FILTER ELEMENT,10MICRON,PAPER*	



101.1 Word Decals, Chassis/Battery Box

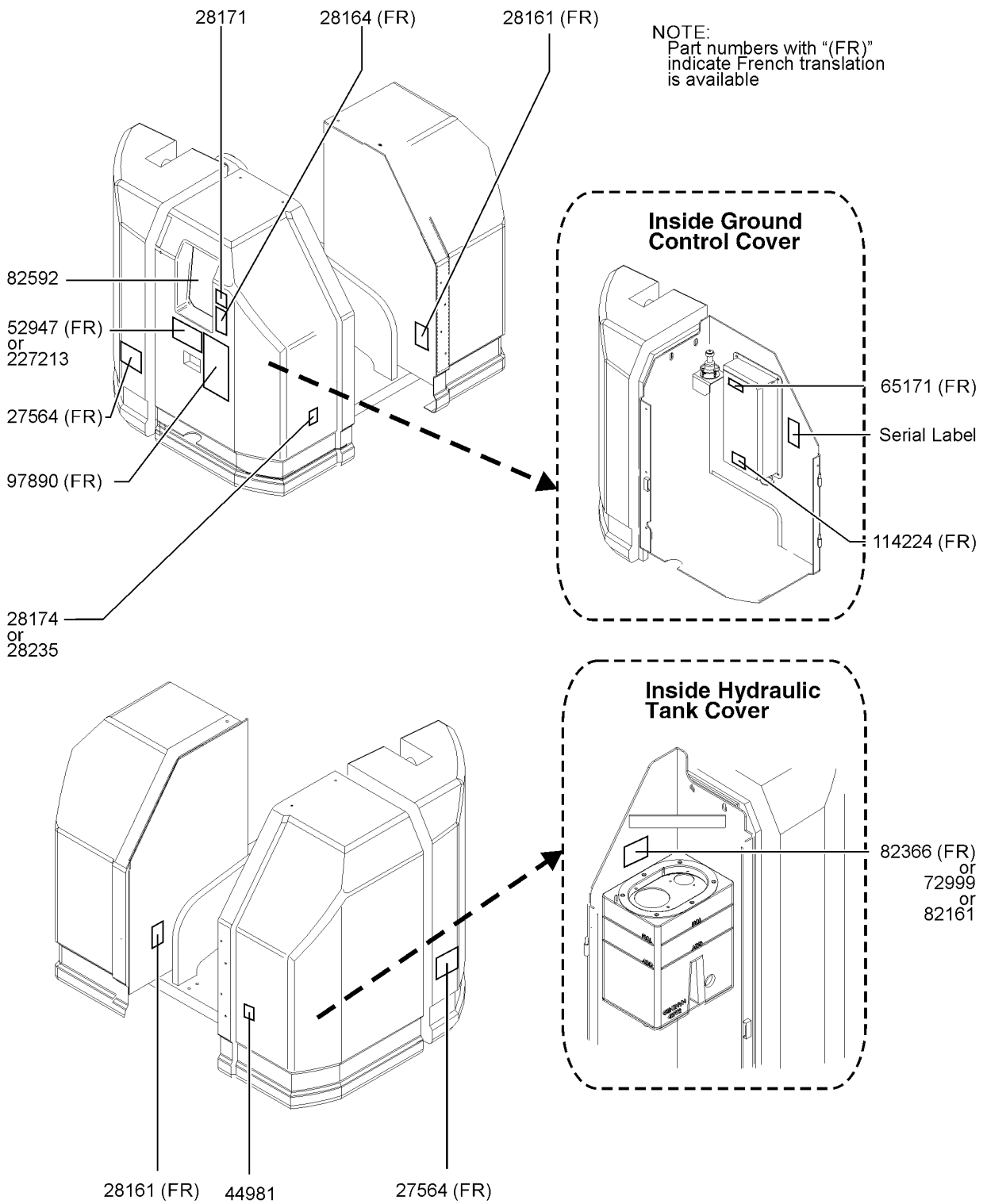


101.1 Word Decals, Chassis/Battery Box

Item	Part No.	Description	Qty.
1	28175GT	DECAL,WARNING-COMPART ACCESS	1
2	28372GT	DECAL,NOTICE,BATTERY CABLES	2
3	31060GT	DECAL,DANGER DO NOT ALTER SWTC	1
4	31508GT	DECAL,DANGER,ELECT HAZARD,PLUG	1
5	31784GT	DECAL,NOTICE,TIRE SPECS,Z34DC	4
		ANSI models	
6	31785GT	DECAL,NOTICE,CHARGER INSTRUC	2
7	31788GT	DECAL,DANGER,BATTERY SAFETY***	2
8	35542GT	DECAL,NOTICE,LUG NUT TORQUE***	4
		Z-34N	
9	37053GT	DECAL,ARROW,BLUE	1
10	37054GT	DECAL,ARROW,YELLOW SM 5-3/8"	1
11	37055GT	DECAL,TRIANGLE,BLUE	2
12	37056GT	DECAL,TRIANGLE,YELLOW	2
13	40299GT	DECAL,NOTICE,BATT CONNECTION	2
14	40300GT	DECAL,DANGER,TIP-OVER BATTERY	2
15	43595GT	DECAL,DANGER,TIP-OVER,TIRES***	4
		Z-34DC, AUS models	
16	44980GT	DECAL,LABEL,PWR TO CHARGR 115V	1
		option, EE rated	
18	52968GT	DECAL,COSMETIC,GENIE BOOM,VERT	1
19	62931GT	DECAL,GENIE Z-34/22 DC POWER	2
20	62933GT	DECAL,COSM,GENIE Z-34/22N(BOX)	2
21	65301GT	DECAL,NOTICE,FOAM-FILLED TIRES	4
		Z-34DC, AUS models	
22	72833GT	DECAL,LABEL,OPEN,LATCH	2
23	133286GT	DECAL, POWER TO CHARGER, UNIV	1
24	139587GT	DECAL,LABEL,WHEEL LOAD Z34DC**	4
25	139590GT	DECAL,LABEL,WHEEL LOAD Z34N***	4



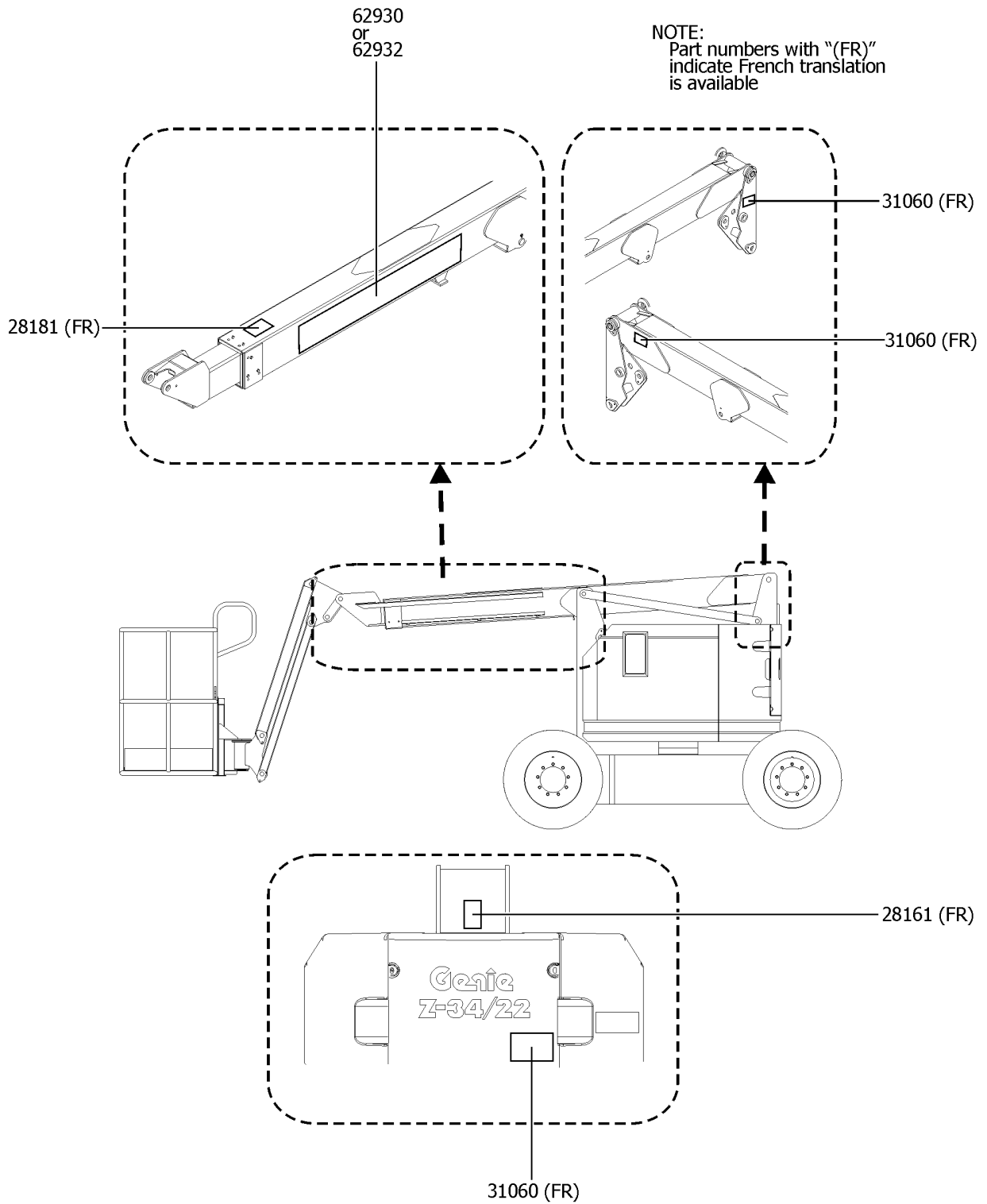
102.1 Word Decals, Turntable



<i>Item</i>	<i>Part No.</i>	<i>Description</i>	<i>Qty.</i>
1	27564GT	DECAL,DANGER,ELEC.HAZ.STAY CLR	2
2	28161GT	DECAL,WARN,CRUSH HAZARD HAND	2
3	28164GT	DECAL,NOTICE,HAZARDOUS MAT'LS*	1
4	28171GT	DECAL,DANGER,NO SMOKING ***	1
5	28174GT	DECAL,POWER TO PLATFORM 230V	1
6	28235GT	DECAL,POWER TO PLATFORM 115V	1
7	44981GT	DECAL,LABEL,AIRLINE 110 PSI	1
		option, airline to platform	
9	52947GT	DECAL,OPERATING INSTR,GROUND	1
		ANSI models	
10	65171GT	DECAL,LABEL,CB & STATUS LIGHT	1
11	72999GT	DECAL,LABEL,PETRO CANADA***	1
		option, hydraulic oil	
12	82161GT	DECAL,LABEL,UCON HYDROLUBE	1
		option, hydraulic oil	
13	82366GT	DECAL,CHEVRON RANDO HD	1
		option, hydraulic oil	
14	82592GT	DECAL,GROUND CONTROL PANEL***	1
15	97890GT	DECAL,DANGER,GEN SAFETY RULES	1
16	114224GT	DECAL,LABEL,RELAYS,Z30N,Z34NDC	1
17	227213GT	DECAL, OPER INST,DC	1
		AUS models	



103.1 Word Decals, Boom

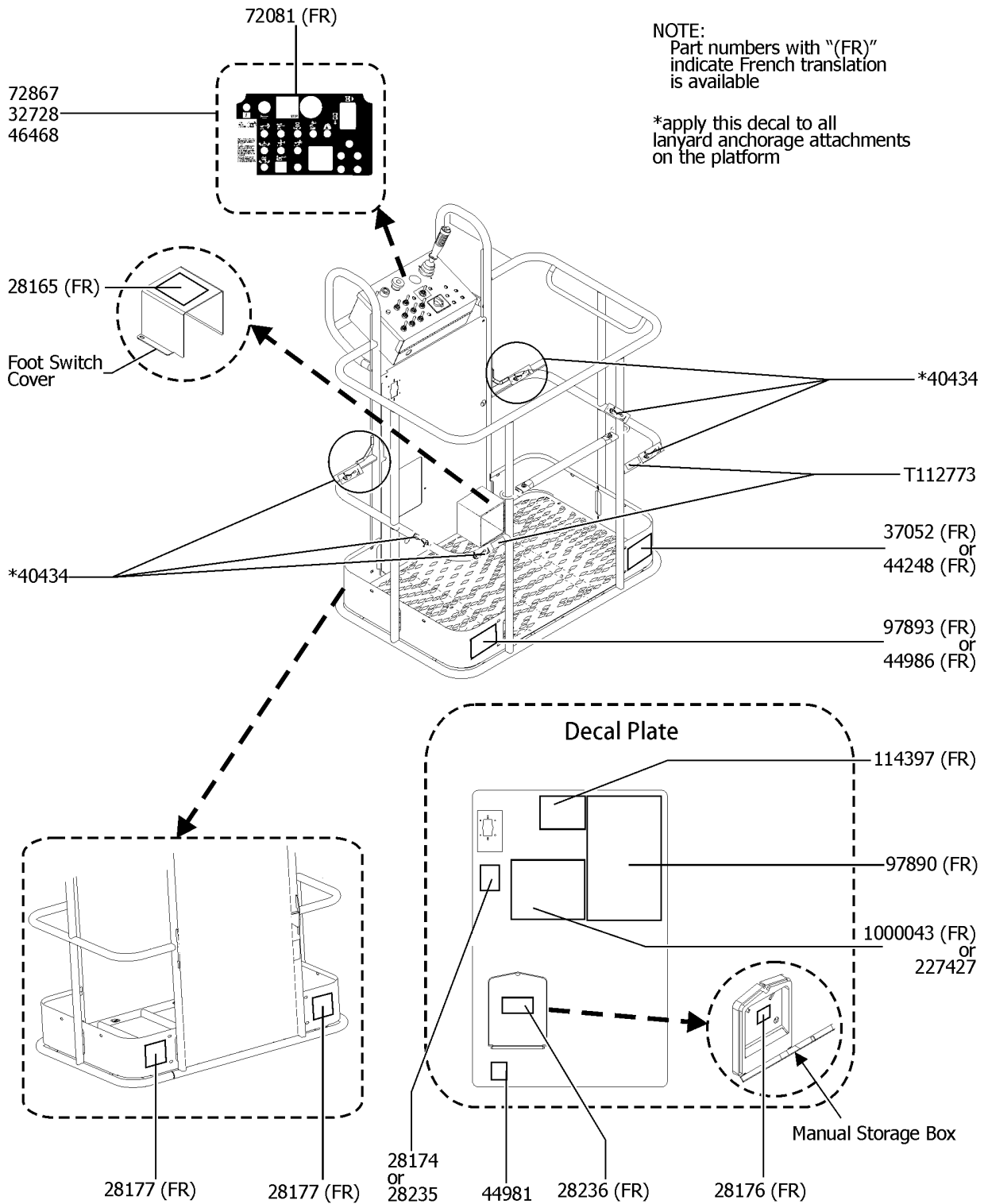


103.1 Word Decals, Boom

<i>Item</i>	<i>Part No.</i>	<i>Description</i>	<i>Qty.</i>
1	28161GT	DECAL,WARN,CRUSH HAZARD HAND	1
2	28181GT	DECAL,WARN,FALL HAZARD	1
3	31060GT	DECAL,DANGER DO NOT ALTER SWTC	3
4	62930GT	DECAL,COSMETIC,GENIE Z-34/22 Z-34DC	1
5	62932GT	DECAL,COSMETIC,GENIE Z-34/22N	1



104.1 Word Decals, Platform

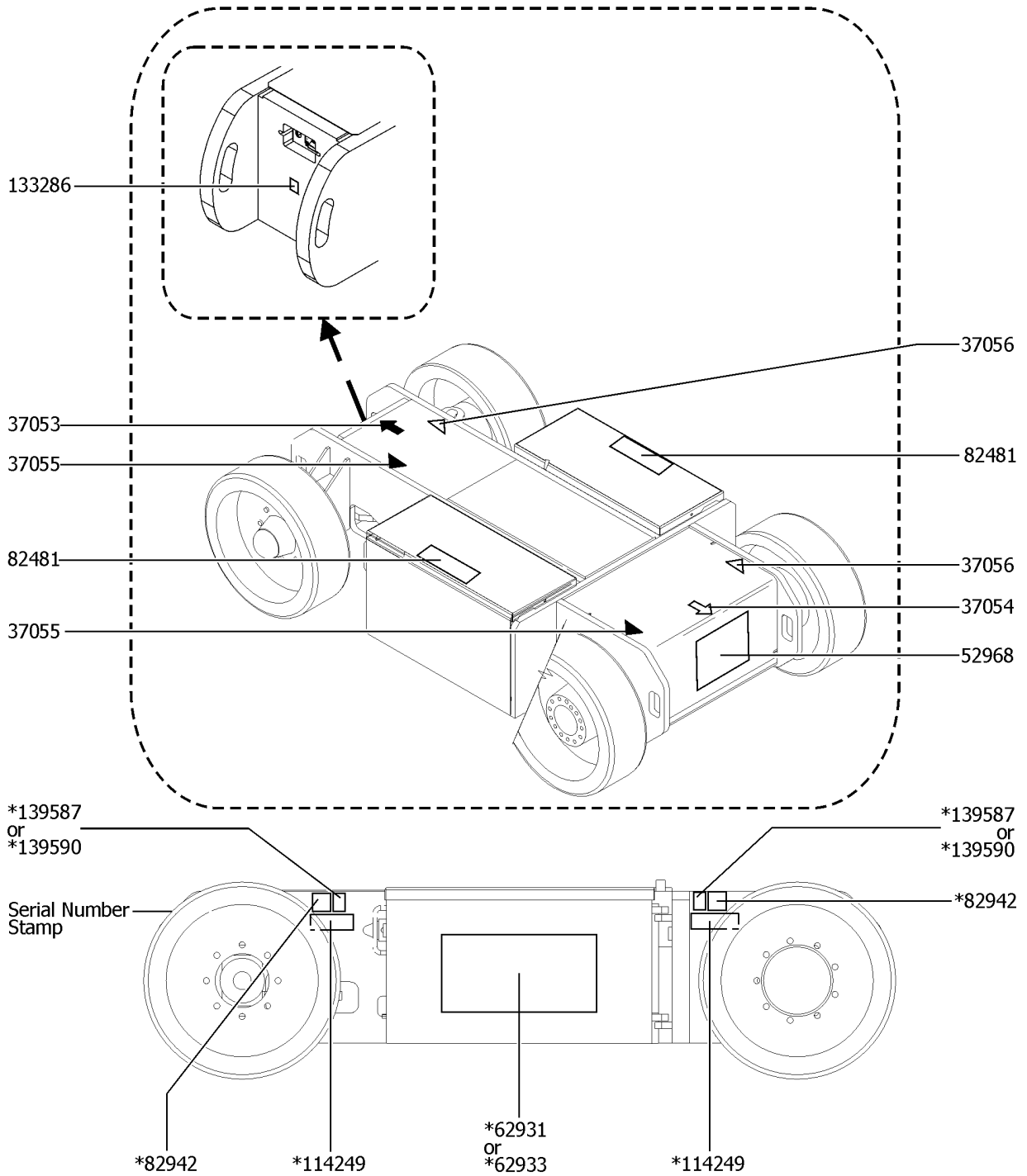


Item	Part No.	Description	Qty.
1	28165GT	DECAL,INSTRUCT,FOOTSWITCH OPER	1
2	28174GT	DECAL,POWER TO PLATFORM 230V	1
3	28176GT	DECAL,LABEL,MANUAL NOT HERE	1
4	28177GT	DECAL,WARN,CRUSH HAZARD PLAT	2
5	28235GT	DECAL,POWER TO PLATFORM 115V	1
6	28236GT	DECAL,WARN,IMPROPER OPERATION	1
7	32728GT	DECAL,OPTION GENERATOR*** option, inverter	1
8	37052GT	DECAL,NOTICE,MAX LOAD 500 LBS	1
9	40434GT	DECAL,LANYARD ANCHORAGE POINT	6
10	44248GT	DECAL,NOTICE,MAX CAP 440 LBS option, aircraft protection	1
11	44981GT	DECAL,LABEL,AIRLINE 110 PSI option, airline to platform	1
12	44986GT	DECAL,INSTR,SIDE FRC/WIND,AUS AUS models	1
13	46468GT	DECAL,FUNCTION OVERRIDE	1
		option, aircraft protection	
14	72081GT	DECAL,PLATFORM CONTROL PANEL**	1
15	72867GT	DECAL,LABEL,LIGHTS*** option, work lights	1
16	97890GT	DECAL,DANGER,GEN SAFETY RULES	1
17	97893GT	DECAL,NOTICE,SIDE FRC/WINDANSI ANSI models	1
18	114397GT	DECAL,DANGER,TILT ALARM	1
19	227427GT	DECAL, OPERATING INSTRUCTIONS	1
		AUS models	
20	1000043GT	DECAL,NOTICE,OPER INST PLAT,DC	1
		ANSI models	
21	T112773GT	TAPE, PROTECTIVE MASK	2



105.1 Symbol Decals, Chassis/Battery Box

NOTE:
*Install decal on both sides of the chassis

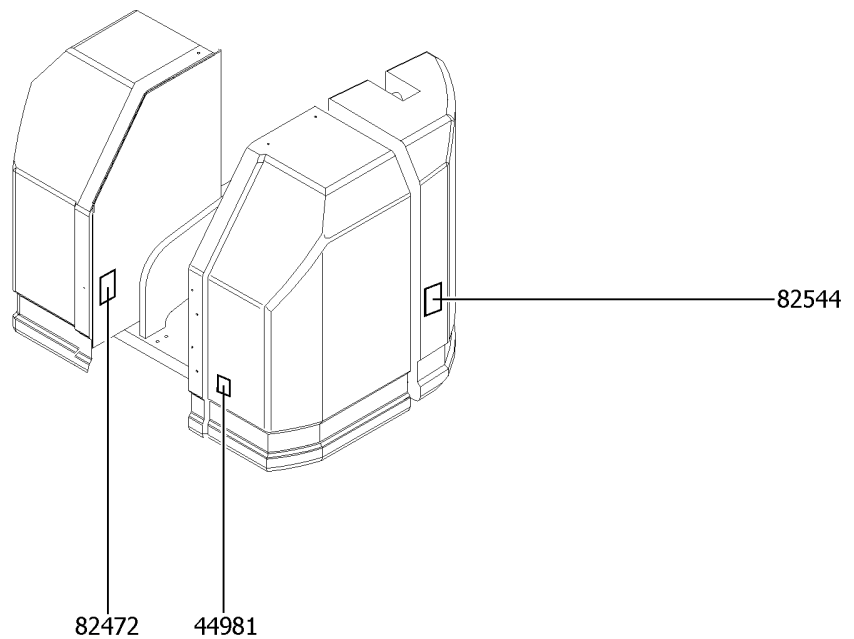
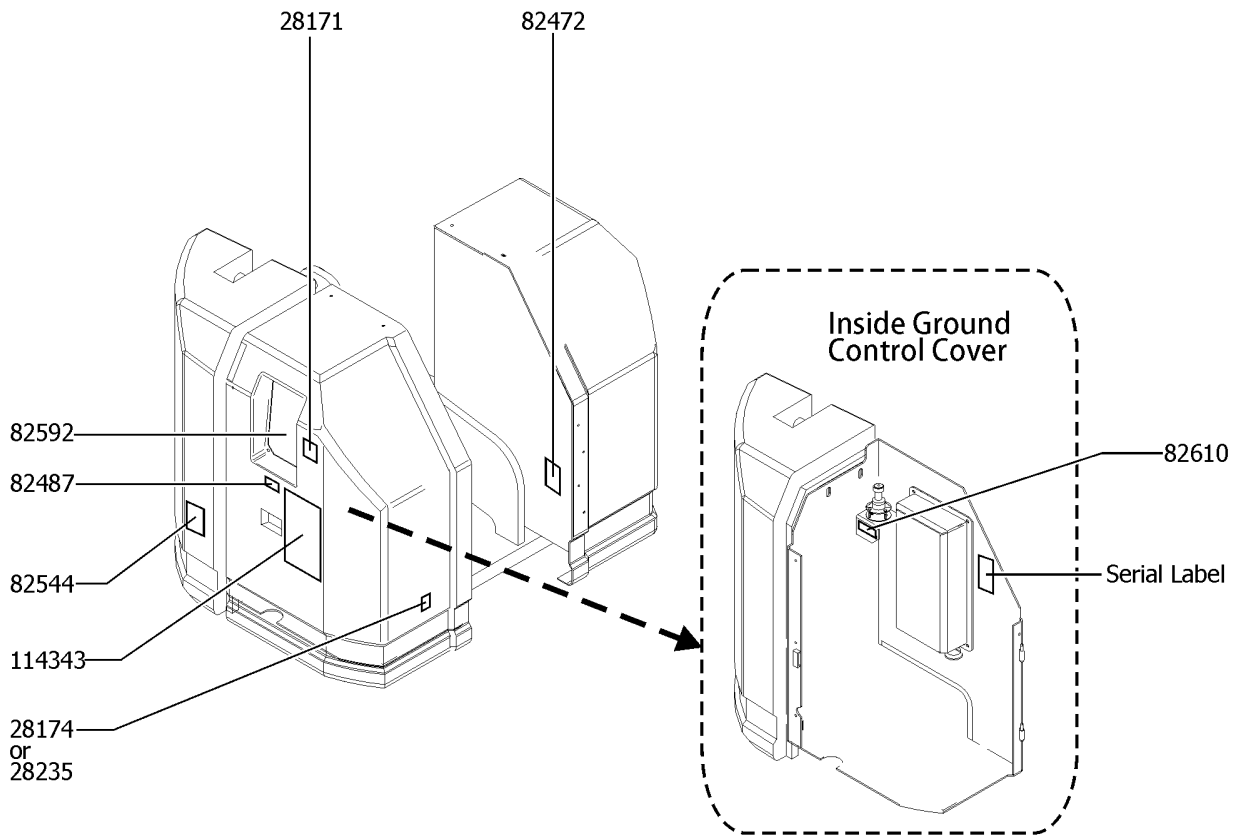


105.1 Symbol Decals, Chassis/Battery Box

Item	Part No.	Description	Qty.
1	37053GT	DECAL,ARROW,BLUE	1
2	37054GT	DECAL,ARROW,YELLOW SM 5-3/8"	1
3	37055GT	DECAL,TRIANGLE,BLUE	2
4	37056GT	DECAL,TRIANGLE,YELLOW	2
5	52968GT	DECAL,COSMETIC,GENIE BOOM,VERT	1
6	62931GT	DECAL,GENIE Z-34/22 DC POWER	2
		Z-34DC	
7	62933GT	DECAL,COSM,GENIE Z-34/22N(BOX)	2
		Z-34N	
8	82481GT	DECAL,SYMBOL-BATTERY SAFETY	2
9	82942GT	DECAL,LABEL,TIRE PRESS,Z-34/22	4
		Z-34DC, ANSI models	
10	114249GT	DECAL,LABEL,TIPOVER,TIRES,SYMB	4
		Z-34DC, CE models	
11	133286GT	DECAL, POWER TO CHARGER, UNIV	1
12	139587GT	DECAL,LABEL,WHEEL LOAD Z34DC**	4
13	139590GT	DECAL,LABEL,WHEEL LOAD Z34N***	4



106.1 Symbol Decals, Turntable

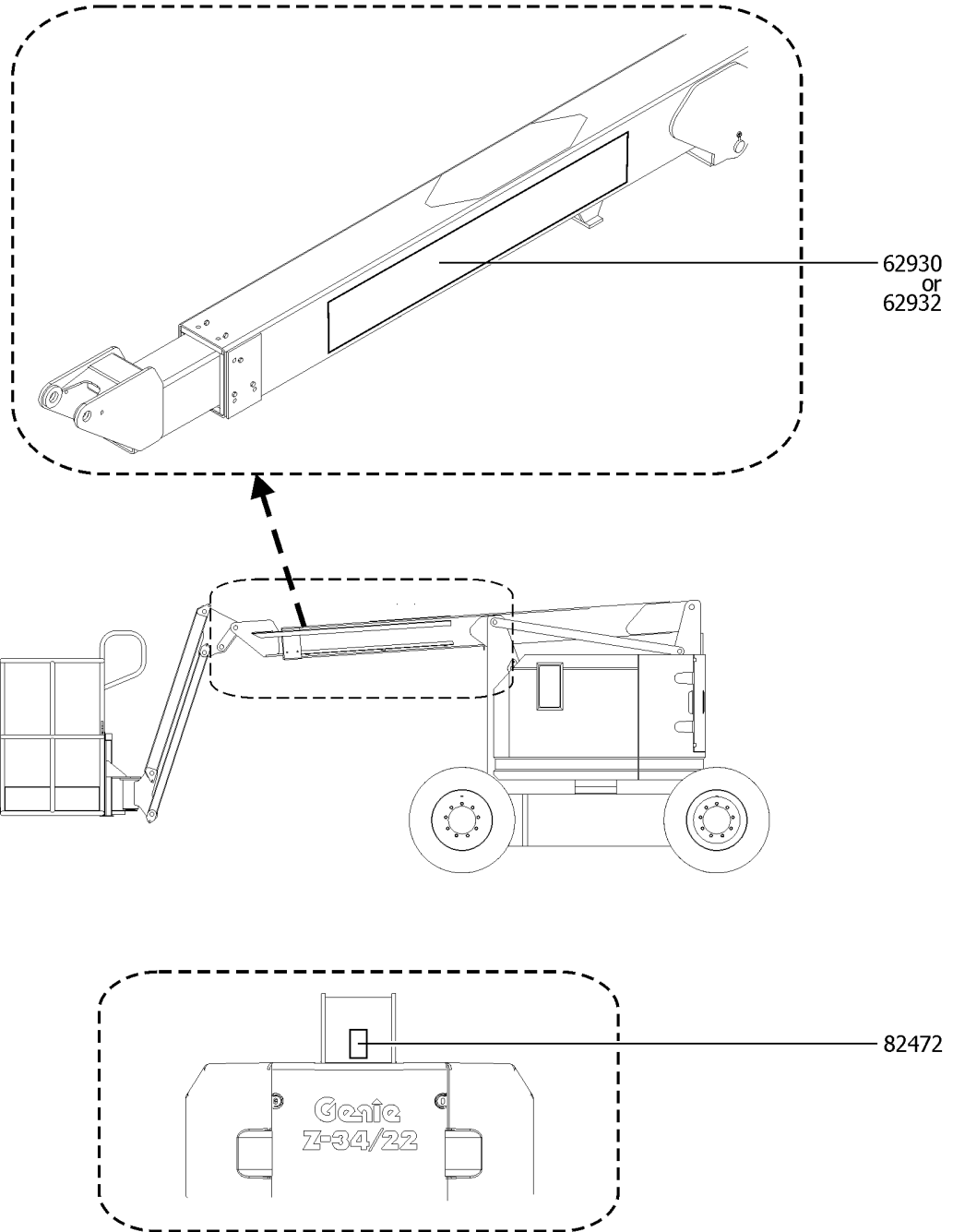


106.1 Symbol Decals, Turntable

<i>Item</i>	<i>Part No.</i>	<i>Description</i>	<i>Qty.</i>
1	28171GT	DECAL,DANGER,NO SMOKING ***	1
2	28174GT	DECAL,POWER TO PLATFORM 230V	1
3	28235GT	DECAL,POWER TO PLATFORM 115V	1
4	44981GT	DECAL,LABEL,AIRLINE 110 PSI	1
		option, airline to platform	
5	82472GT	DECAL,WARNING,CRUSHING HAZARD	2
6	82487GT	DECAL,SYMBOL-READ THE MANUAL	1
7	82544GT	DECAL,DANGER,ELEC.HAZ.STAY CLR	2
8	82592GT	DECAL,GROUND CONTROL PANEL ***	1
9	82610GT	DECAL,LABEL,CB & STATUS LIGHT	1
10	114343GT	DECAL,LABEL,EMERGENCY DOWN	1



107.1 Symbol Decals, Boom

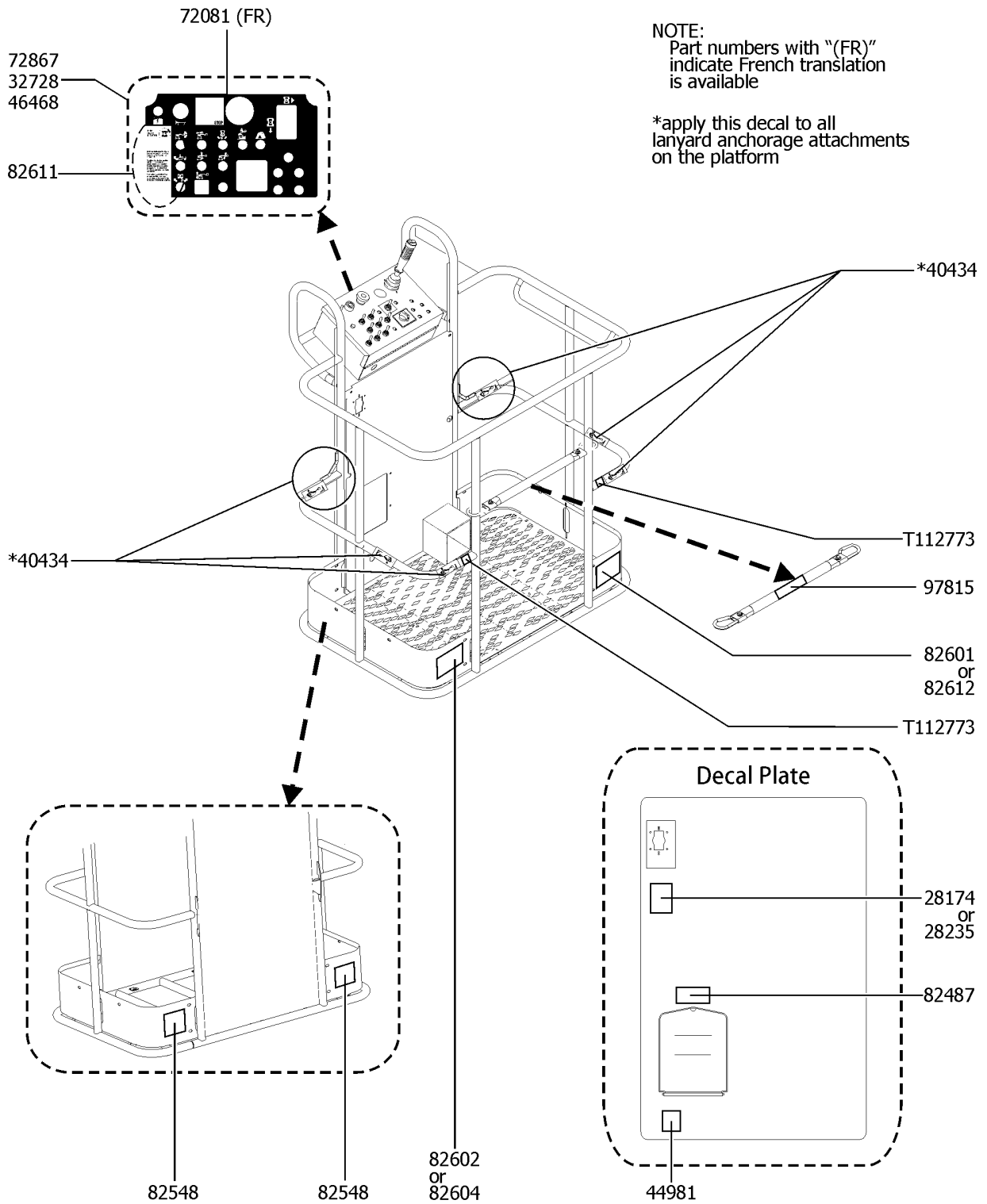


107.1 Symbol Decals, Boom

<i>Item</i>	<i>Part No.</i>	<i>Description</i>	<i>Qty.</i>
1	62930GT	DECAL,COSMETIC,GENIE Z-34/22 Z-34DC	1
2	62932GT	DECAL,COSMETIC,GENIE Z-34/22N	1
3	82472GT	DECAL,WARNING,CRUSHING HAZARD	1



108.1 Symbol Decals, Platform

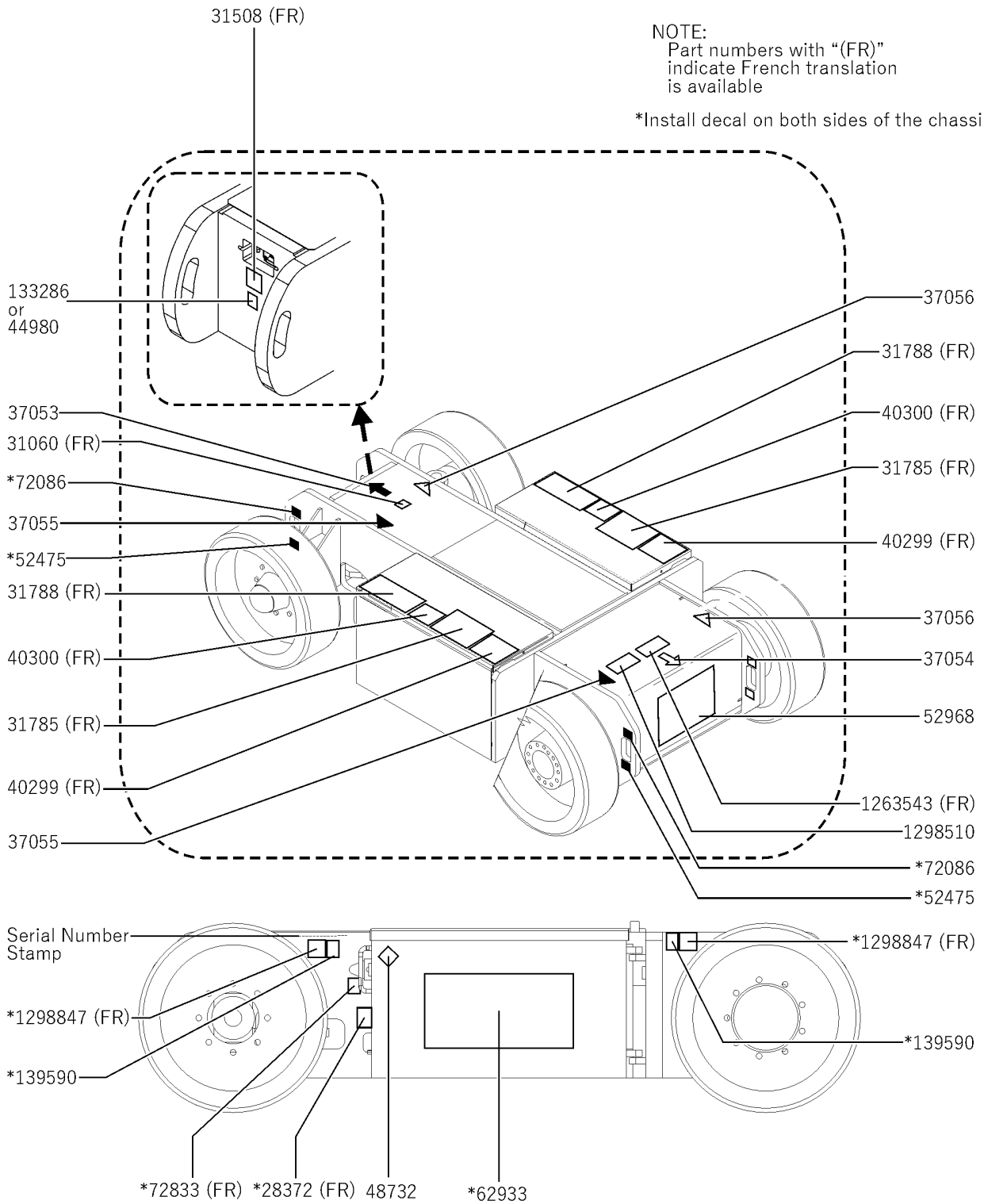


108.1 Symbol Decals, Platform

Item	Part No.	Description	Qty.
1	28174GT	DECAL,POWER TO PLATFORM 230V	1
2	28235GT	DECAL,POWER TO PLATFORM 115V	1
3	32728GT	DECAL,OPTION GENERATOR*** option, inverter	1
4	40434GT	DECAL,LANYARD ANCHORAGE POINT	6
5	44981GT	DECAL,LABEL,AIRLINE 110 PSI	1
		option, airline to platform	
6	46468GT	DECAL,FUNCTION OVERRIDE	1
		option, aircraft protection	
7	72081GT	DECAL,PLATFORM CONTROL PANEL**	1
8	72867GT	DECAL,LABEL,LIGHTS***	1
		option, Work lights	
9	82487GT	DECAL,SYMBOL-READ THE MANUAL	1
10	82548GT	DECAL,WARN,CRUSH HAZARD PLAT	2
11	82601GT	DECAL,LABEL,MAX CAPACITY***	1
12	82602GT	DECAL,DANGER,MAX SIDE FRC,667N	1
		ANSI models	
13	82604GT	DECAL,DANGER,SIDE FRC 400N	1
		CE models	
14	82611GT	DECAL,DRIVE ENABLE PATCH	1
15	82612GT	DECAL,DANGER,MAX CAP,200KG	1
		option, aircraft protection	
16	97815GT	DECAL,LABEL,LOWER MIDRAIL	1
17	T112773GT	TAPE, PROTECTIVE MASK	2



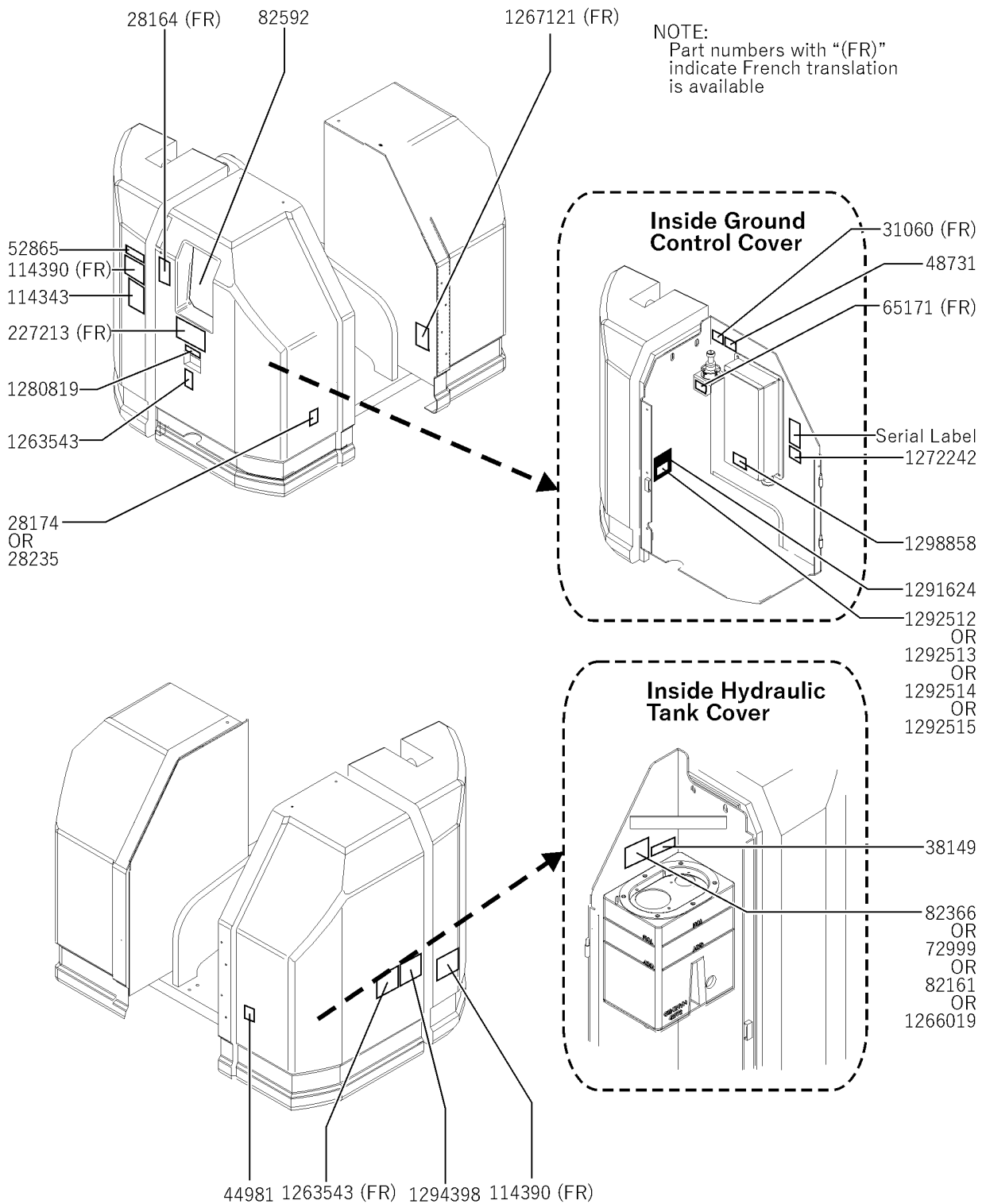
109.1 Decals with Word, Chassis/Battery Box, From Sep 1, 2020



Item	Part No.	Description	Qty.
1	28372GT	DECAL,NOTICE,BATTERY CABLES	2
2	31060GT	DECAL,DANGER DO NOT ALTER SWTC	1
3	31508GT	DECAL,DANGER,ELECT HAZARD,PLUG	1
4	31785GT	DECAL,NOTICE,CHARGER INSTRUC	2
5	31788GT	DECAL,DANGER,BATTERY SAFETY***	2
6	37053GT	DECAL,ARROW,BLUE	1
7	37054GT	DECAL,ARROW,YELLOW SM 5-3/8"	1
8	37055GT	DECAL,TRIANGLE,BLUE	2
9	37056GT	DECAL,TRIANGLE,YELLOW	2
10	40299GT	DECAL,NOTICE,BATT CONNECTION	2
11	40300GT	DECAL,DANGER,TIP-OVER BATTERY	2
12	44980GT	DECAL,LABEL,PWR TO CHARGR 115V	1
		option, EE	
13	48732GT	DECAL, EE DIAMOND	1
14	52475GT	DECAL,LABEL,TRANSPORT TIEDOWN*	4
15	52968GT	DECAL,COSMETIC,GENIE BOOM,VERT	1
16	62933GT	DECAL,COSM,GENIE Z-34/22N(BOX)	2
17	72086GT	DECAL,LABEL,LIFTING EYE	4
18	72833GT	DECAL,LABEL,OPEN,LATCH	2
19	133286GT	DECAL, POWER TO CHARGER, UNIV	1
20	139590GT	DECAL,LABEL,WHEEL LOAD Z34N***	4
21	1263543GT	DECAL, IMPROPER OPERATION	1
22	1298510GT	DECAL,TRANSPORT/LIFT DIAGRAM, Z-34	1
23	1298847GT	DECAL,DANGER,TIPOVR,TIRES NMF, Z-30N, Z34N,WORD	4



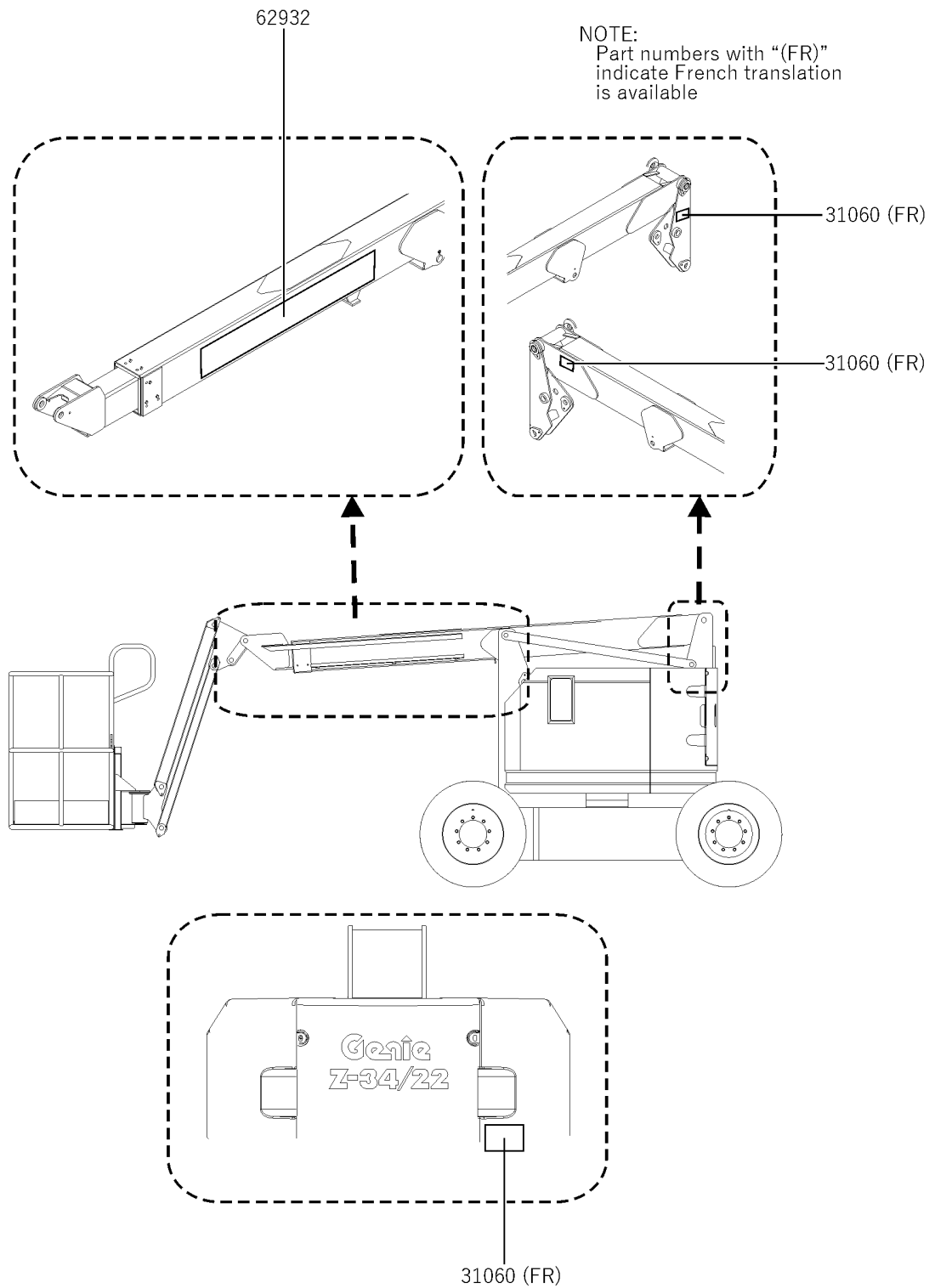
110.1 Decals with Word, Turntable Covers, From Sep 1, 2020



Item	Part No.	Description	Qty.
1	28164GT	DECAL,NOTICE,HAZARDOUS MAT'LS*	1
2	28174GT	DECAL,POWER TO PLATFORM 230V	1
3	28235GT	DECAL,POWER TO PLATFORM 115V	1
4	31060GT	DECAL,DANGER DO NOT ALTER SWTC	1
5	38149GT	DECAL,LABEL,PATENTS	1
6	44981GT	DECAL,LABEL,AIRLINE 110 PSI	1
		option, air line to platform	
7	48731GT	DECAL LABEL	1
8	52865GT	DECAL,ANNUAL INSP***	1
9	65171GT	DECAL,LABEL,CB & STATUS LIGHT	1
10	72999GT	DECAL,LABEL,PETRO CANADA***	1
		option, hydraulic oil	
11	82161GT	DECAL,LABEL,UCON HYDROLUBE	1
		option, hydraulic oil	
12	82366GT	DECAL,CHEVRON RANDO HD	1
		option, hydraulic oil	
13	82592GT	DECAL,GROUND CONTROL PANEL***	1
14	114343GT	DECAL,LABEL,EMERGENCY DOWN	1
15	114390GT	DECAL,DANGER,ELECT HAZARD***	1
16	227213GT	DECAL, OPER INST,DC	1
17	1263543GT	DECAL, IMPROPER OPERATION	2
18	1266019GT	DECAL, LABEL, SHELL TELLUS	1
19	1267121GT	DECAL,WARNING,CRUSH HAZARD	1
20	1272242GT	DECAL,MACHINE REGISTRATION/OWN	1
21	1280819GT	DECAL,WARNING,CANCER AND REPRODUCTIVE HARM, PROP 65	1
22	1291624GT	DECAL COSM,GENIE LIFT CONNECT,LEXAN COVER	1
23	1292512GT	DECAL COSM,GENIE LIFT CONNECT,ESN,SKU4-1	1
24	1292513GT	DECAL COSM,GENIE LIFT CONNECT,ESN,SKU4-2	1
25	1292514GT	DECAL COSM,GENIE LIFT CONNECT,ESN,SKU4-3	1
26	1292515GT	DECAL COSM,GENIE LIFT CONNECT,ESN,SKU4-4	1
27	1294398GT	DECAL, ANSI/CSA COMPLIANT	1
28	1298858GT	DECAL,RELAY LABEL,Z30/34 DC	1



111.1 Decals with Word, Boom, From Sep 1, 2020

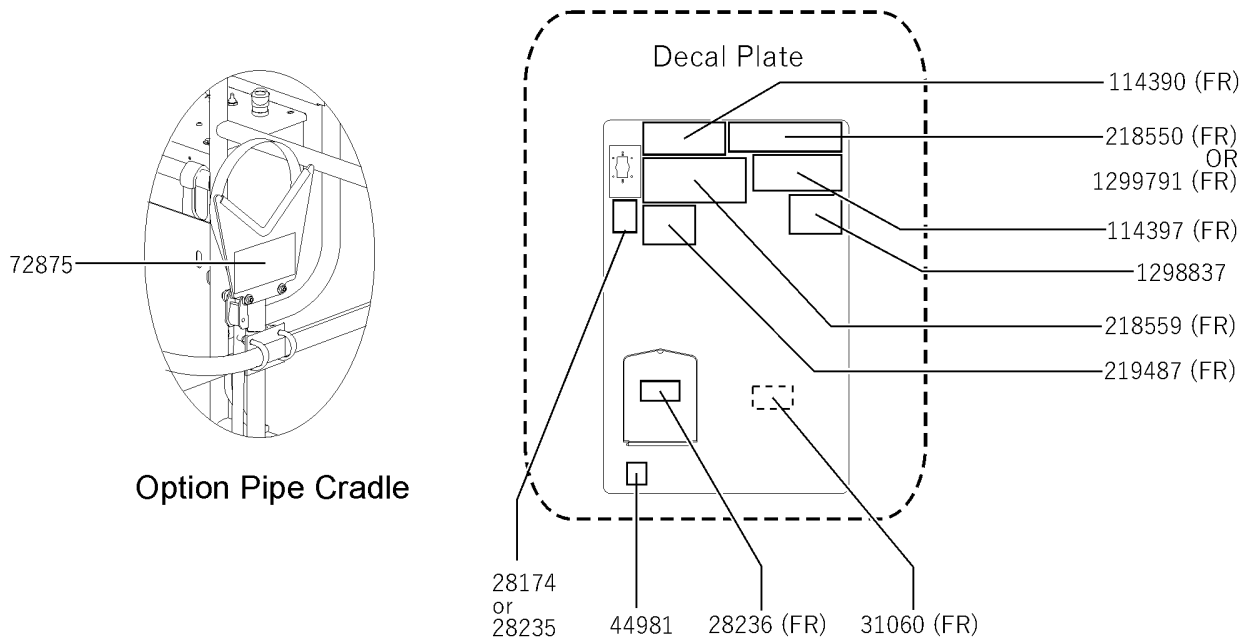
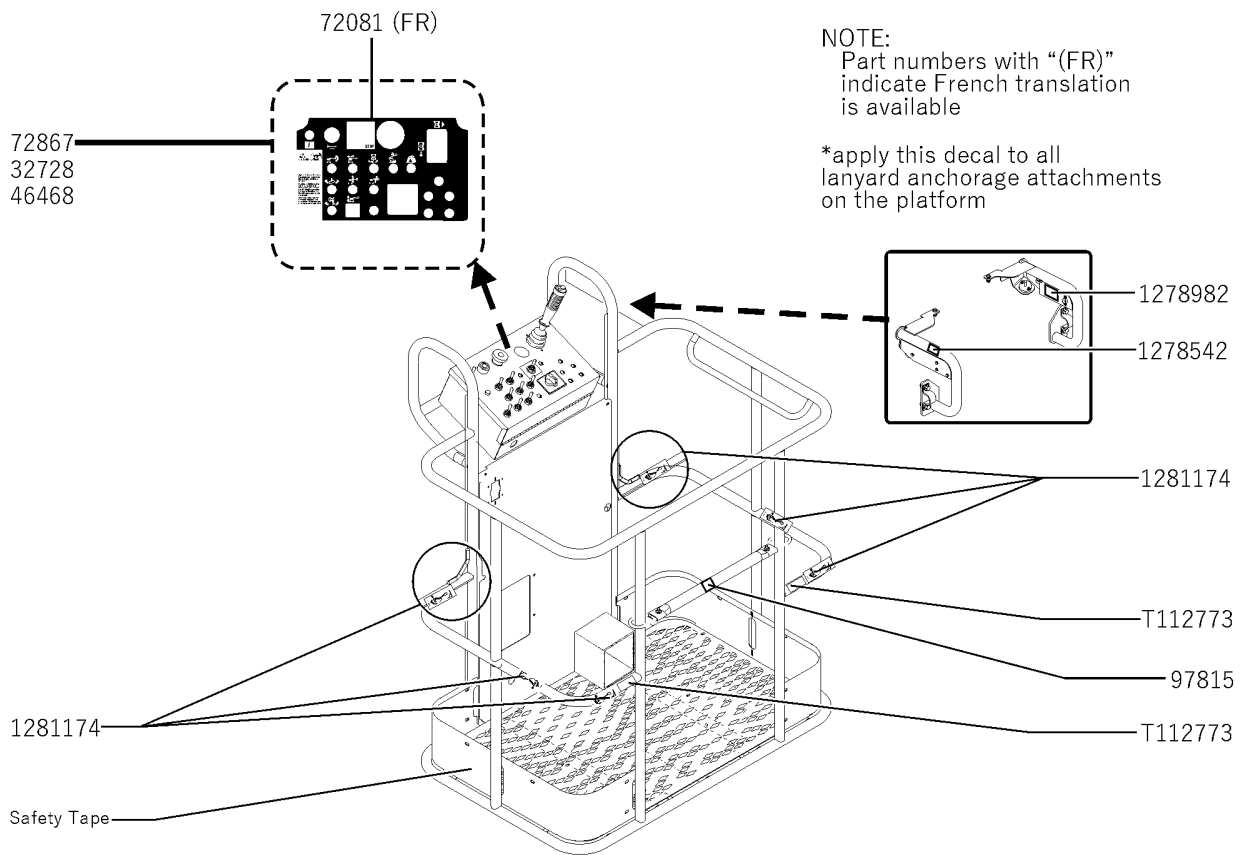


111.1 Decals with Word, Boom, From Sep 1, 2020

<i>Item</i>	<i>Part No.</i>	<i>Description</i>	<i>Qty.</i>
1	31060GT	DECAL,DANGER DO NOT ALTER SWTC	3
2	62932GT	DECAL,COSMETIC,GENIE Z-34/22N	1



112.1 Decals with Word, Platform, From Sep 1, 2020

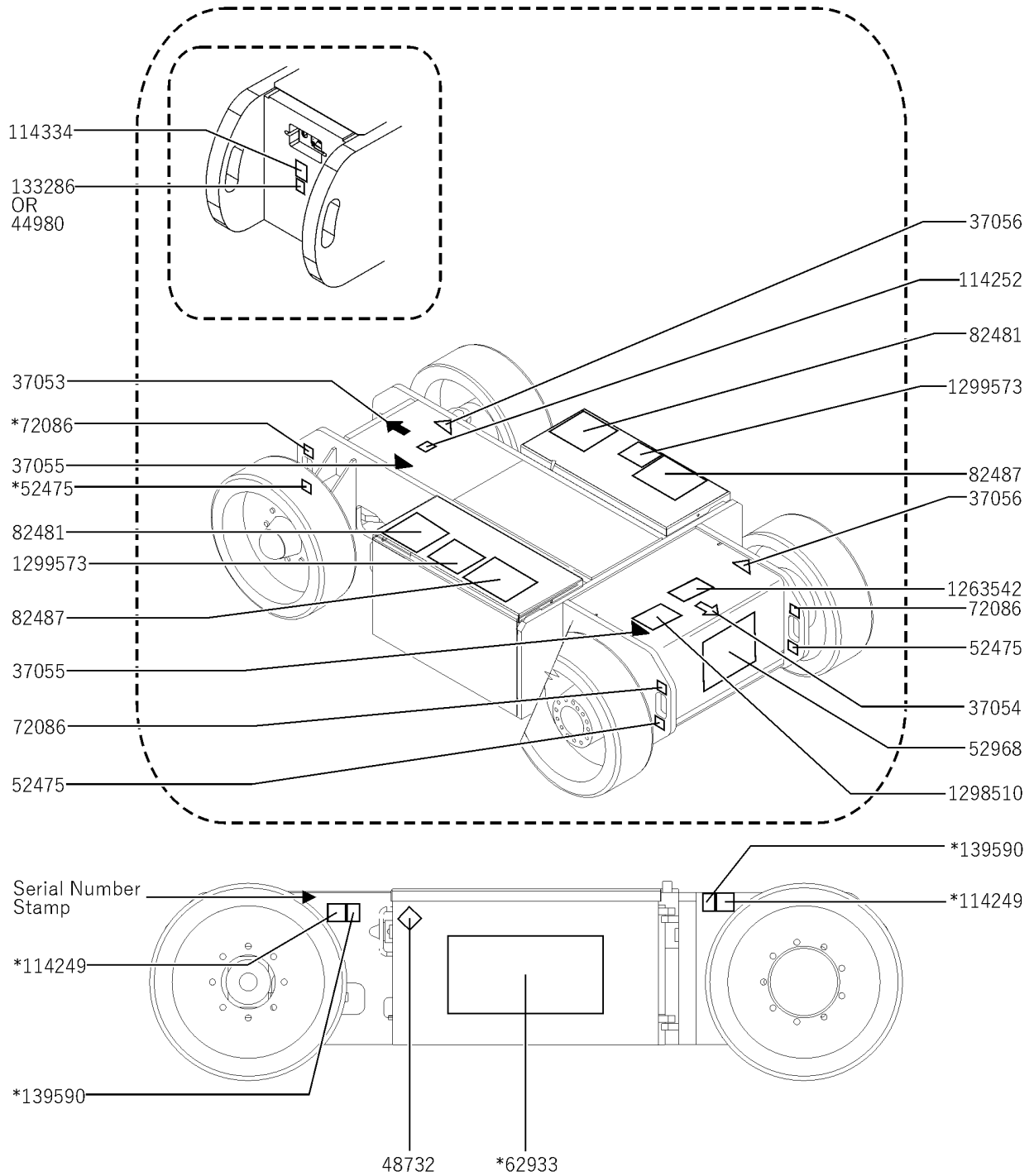


Item	Part No.	Description	Qty.
1	28174GT	DECAL,POWER TO PLATFORM 230V	1
2	28235GT	DECAL,POWER TO PLATFORM 115V	1
3	28236GT	DECAL,WARN,IMPROPER OPERATION	1
4	31060GT	DECAL,DANGER DO NOT ALTER SWTC	1
5	32728GT	DECAL,OPTION GENERATOR*** option, inverter	1
6	44981GT	DECAL,LABEL,AIRLINE 110 PSI option, airline to platform	1
7	46468GT	DECAL,FUNCTION OVERRIDE	1
		option, aircraft protection	
8	72081GT	DECAL,PLATFORM CONTROL PANEL**	1
9	72867GT	DECAL,LABEL,LIGHTS*** option, work lights	1
10	72875GT	DECAL,WARNING,PIPE CRADLE,BOOM	1
11	97815GT	DECAL,LABEL,LOWER MIDRAIL	1
12	114390GT	DECAL,DANGER,ELECT HAZARD***	1
13	114397GT	DECAL,DANGER,TILT ALARM	1
14	218550GT	DECAL,DANGER,CAP,AUS WORD	1
15	218559GT	DECAL,DANGER/WARNING COMBO	1
16	219487GT	DECAL,PLATFORM OVERLOAD	1
17	1278542GT	DECAL, INSTRUCTION, CONTACT ALARM	2
18	1278982GT	DECAL, INSTRUCTION, ACTUATOR SWITCH SOCKET	2
19	1281174GT	DECAL,LANYARD,FALL ARREST/FALL RESTRAINED	2
20	1298837GT	DECAL,WARNING,RUNAWAY MACHINE,Z30N/RJ, Z34N,WORD	2
21	1299791GT	DECAL,DANGER,CAP, AIRCRAFT, WORD	2
22	T112773GT	TAPE, PROTECTIVE MASK	2



113.1 Decals with Symbol, Chassis/Battery Box, From Sep 1, 2020

NOTE:
*Install decal on both sides of the chassis

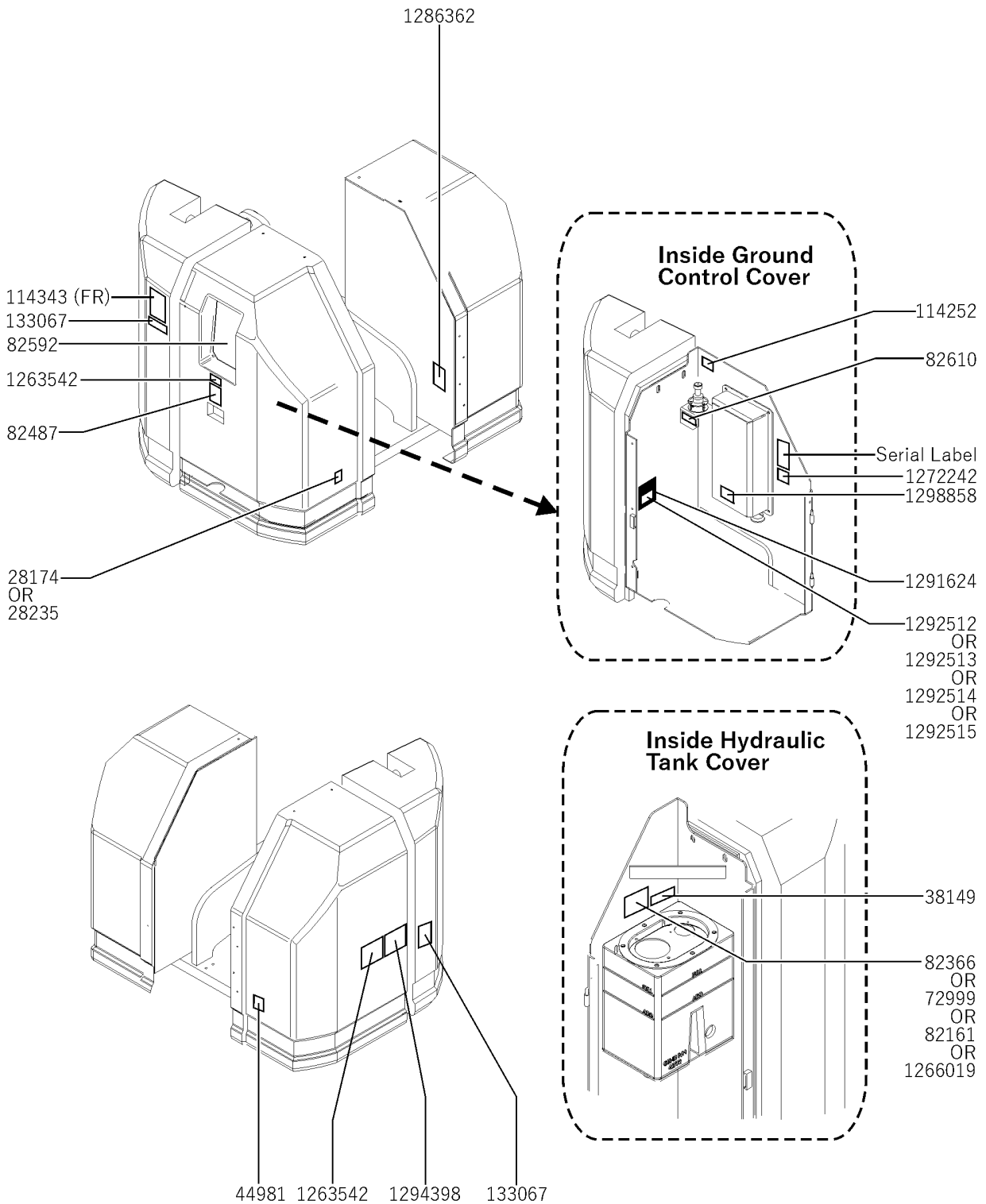


113.1 Decals with Symbol, Chassis/Battery Box, From Sep 1, 2020

Item	Part No.	Description	Qty.
1	37053GT	DECAL,ARROW,BLUE	1
2	37054GT	DECAL,ARROW,YELLOW SM 5-3/8"	1
3	37055GT	DECAL,TRIANGLE,BLUE	2
4	37056GT	DECAL,TRIANGLE,YELLOW	2
5	44980GT	DECAL,LABEL,PWR TO CHARGR 115V	1
6	48732GT	DECAL, EE DIAMOND	1
7	52475GT	DECAL,LABEL,TRANSPORT TIEDOWN*	4
8	52968GT	DECAL,COSMETIC,GENIE BOOM,VERT	1
9	62933GT	DECAL,COSM,GENIE Z-34/22N(BOX)	2
10	72086GT	DECAL,LABEL,LIFTING EYE	4
11	82481GT	DECAL,SYMBOL-BATTERY SAFETY	2
12	82487GT	DECAL,SYMBOL-READ THE MANUAL	2
13	114249GT	DECAL,LABEL,TIPOVER,TIRES,SYMB	4
14	114252GT	DECAL,LABEL,TIP OVER LMT SWTCH	1
15	114334GT	DECAL,SYM-ELEC HAZARD,PLUG	1
16	133286GT	DECAL, POWER TO CHARGER, UNIV	1
17	139590GT	DECAL,LABEL,WHEEL LOAD Z34N***	4
18	1263542GT	DECAL, COMPARTMENT ACCESS	1
19	1298510GT	DECAL,TRANSPORT/LIFT DIAGRAM, Z-34	1
20	1299573GT	DECAL,ANSI SYMBOL, BATT WEIGHT/TIP OVER,Z34	2



114.1 Decals with Symbol, Turntable Covers, From Sep 1, 2020

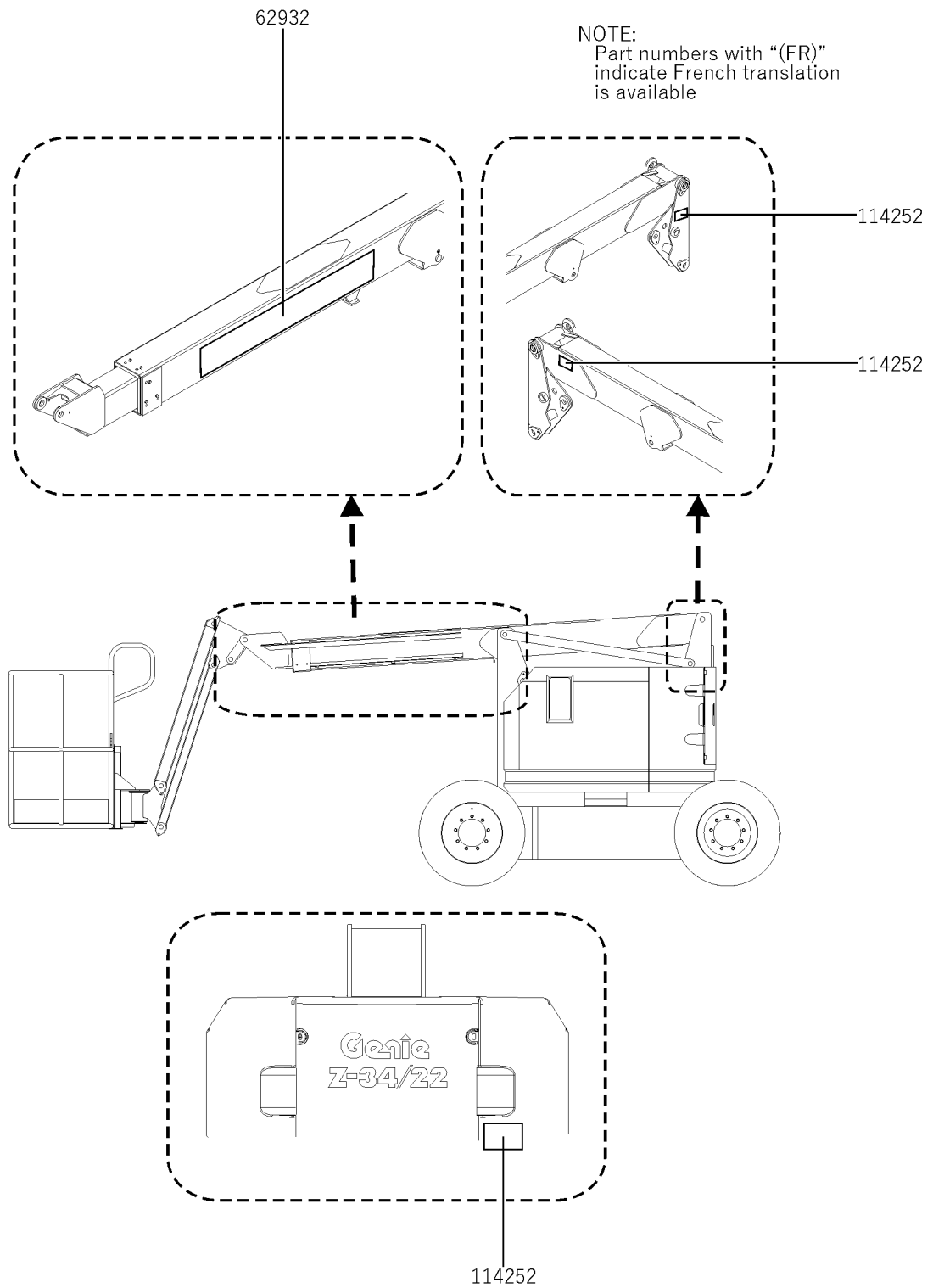


114.1 Decals with Symbol, Turntable Covers, From Sep 1, 2020

Item	Part No.	Description	Qty.
1	28174GT	DECAL,POWER TO PLATFORM 230V	1
2	28235GT	DECAL,POWER TO PLATFORM 115V	1
3	38149GT	DECAL,LABEL,PATENTS	1
4	44981GT	DECAL,LABEL,AIRLINE 110 PSI	1
		option, airline to platform	
5	72999GT	DECAL,LABEL,PETRO CANADA***	1
6	82161GT	DECAL,LABEL,UCON HYDROLUBE	1
7	82366GT	DECAL,CHEVRON RANDO HD	1
8	82487GT	DECAL,SYMBOL-READ THE MANUAL	1
9	82592GT	DECAL,GROUND CONTROL PANEL ***	1
10	82610GT	DECAL,LABEL,CB & STATUS LIGHT	1
11	114252GT	DECAL,LABEL,TIP OVER LMT SWTCH	1
12	114343GT	DECAL,LABEL,EMERGENCY DOWN	1
13	133067GT	DECAL,DANGER,ELEC.HAZ.STAY CLR	2
14	1263542GT	DECAL, COMPARTMENT ACCESS	2
15	1266019GT	DECAL, LABEL, SHELL TELLUS	1
16	1272242GT	DECAL,MACHINE REGISTRATION/OWN	1
17	1286362GT	DECAL, BOOM SUPPORT, SYMBOL	1
18	1291624GT	DECAL COSM,GENIE LIFT CONNECT,LEXAN COVER	1
19	1292512GT	DECAL COSM,GENIE LIFT CONNECT,ESN,SKU4-1	1
20	1292513GT	DECAL COSM,GENIE LIFT CONNECT,ESN,SKU4-2	1
21	1292514GT	DECAL COSM,GENIE LIFT CONNECT,ESN,SKU4-3	1
22	1292515GT	DECAL COSM,GENIE LIFT CONNECT,ESN,SKU4-4	1
23	1294398GT	DECAL, ANSI/CSA COMPLIANT	1
24	1298858GT	DECAL,RELAY LABEL,Z30/34 DC	1



115.1 Decals with Symbol, Boom, From Sep 1, 2020

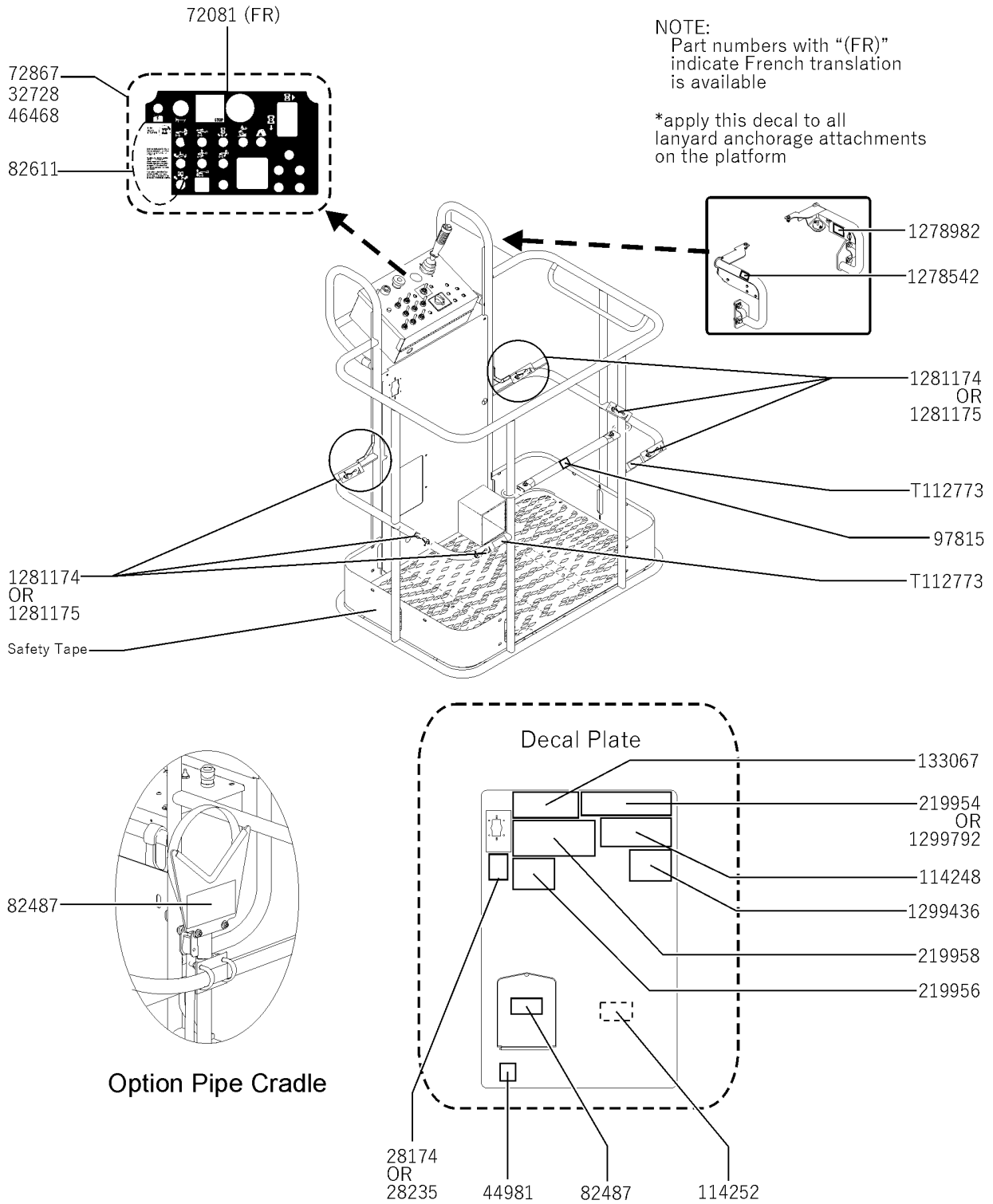


115.1 Decals with Symbol, Boom, From Sep 1, 2020

<i>Item</i>	<i>Part No.</i>	<i>Description</i>	<i>Qty.</i>
1	62932GT	DECAL,COSMETIC,GENIE Z-34/22N	1
2	114252GT	DECAL,LABEL,TIP OVER LMT SWTCH	3



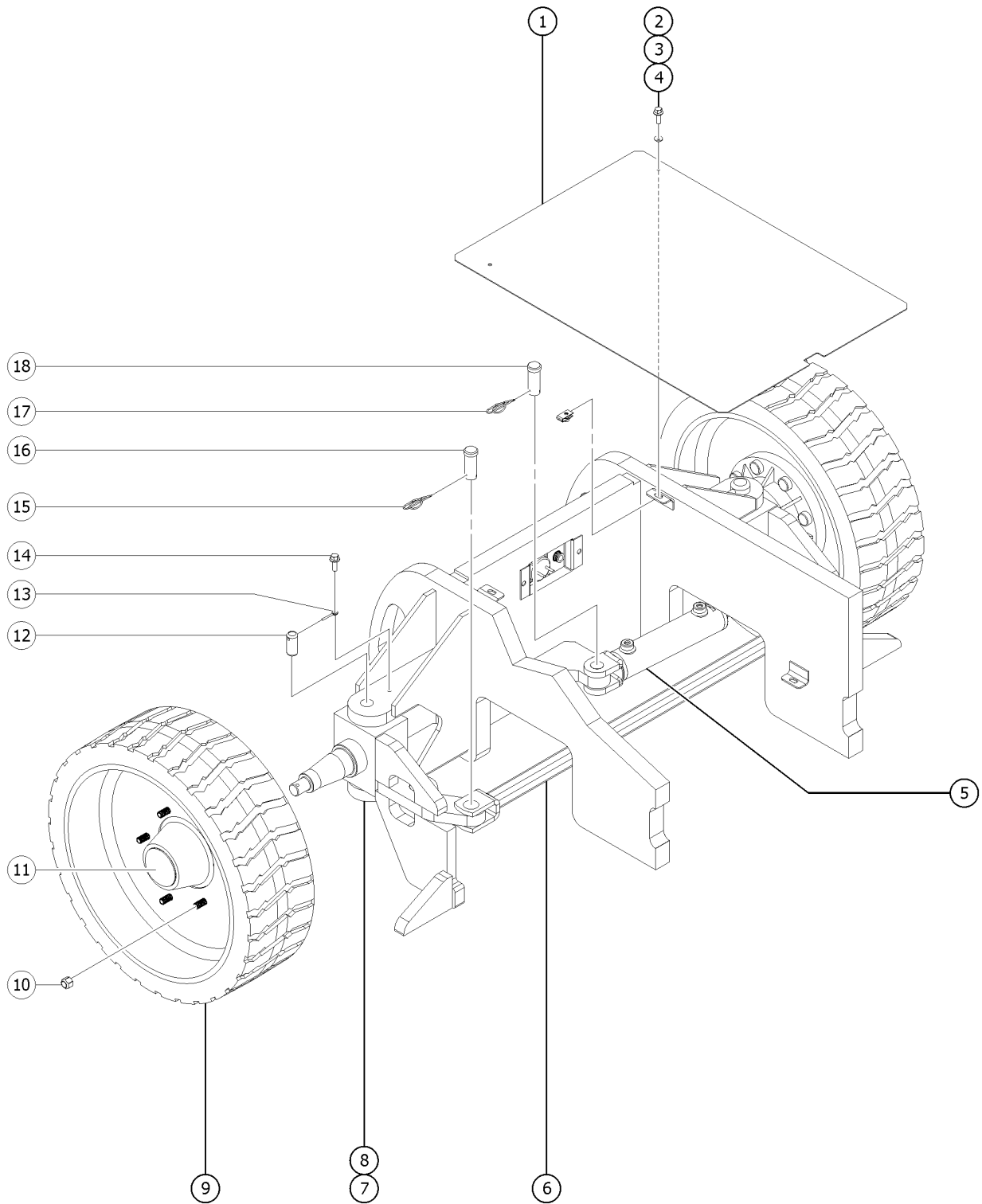
116.1 Decals with Symbol, Platform, From Sep 1, 2020



Item	Part No.	Description	Qty.
1	28174GT	DECAL,POWER TO PLATFORM 230V	1
2	28235GT	DECAL,POWER TO PLATFORM 115V	1
3	32728GT	DECAL,OPTION GENERATOR*** option, inverter	1
4	44981GT	DECAL,LABEL,AIRLINE 110 PSI	1
		option, airline to platform	
5	46468GT	DECAL,FUNCTION OVERRIDE	1
		option, aircraft protection	
6	72081GT	DECAL,PLATFORM CONTROL PANEL**	1
7	72867GT	DECAL,LABEL,LIGHTS***	1
		option, work lights	
8	82487GT	DECAL,SYMBOL-READ THE MANUAL	2
9	82611GT	DECAL,DRIVE ENABLE PATCH	1
10	97815GT	DECAL,LABEL,LOWER MIDRAIL	1
11	114248GT	DECAL,LABEL,TIPOVER,TILT AL SY	1
12	114252GT	DECAL,LABEL,TIP OVER LMT SWTCH	1
13	133067GT	DECAL,DANGER,ELEC.HAZ.STAY CLR	1
14	219954GT	DECAL,TIP-OVER HAZARD,CE	1
15	219956GT	DECAL,PLATFORM OVERLOAD	1
16	219958GT	DECAL,TIP-OVER,CRUSH	1
17	1278542GT	DECAL, INSTRUCTION, CONTACT ALARM	1
18	1278982GT	DECAL, INSTRUCTION, ACTUATOR SWITCH SOCKET	1
19	1281174GT	DECAL,LANYARD,FALL ARREST/FALL RESTRAINED	6
20	1281175GT	DECAL,LANYARD,FALL RESTRAINED	6
21	1299436GT	DECAL,SYMBOL,SLOPE RATING,Z30N/34N	1
22	1299792GT	DECAL,TIP-OVER HAZARD, AIRCRAFT, SYM	1
23	T112773GT	TAPE, PROTECTIVE MASK	2



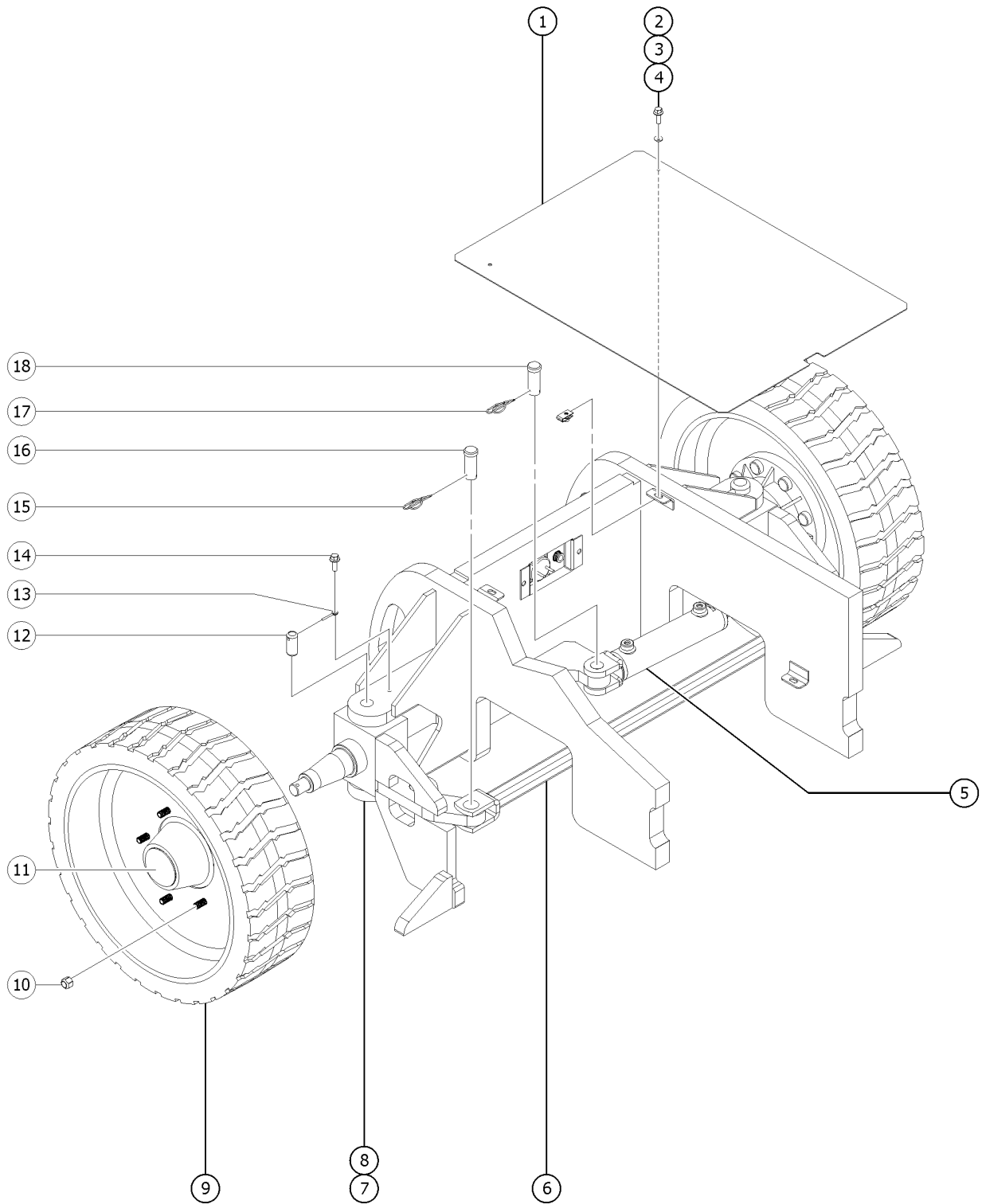
201.1 Steer End



Item	Part No.	Description	Qty.
	96317GT	GROUND STRAP,12"LG***	
1	40438GT	COVR W/DECALS DR CHAS STR END*	1
2	824078GT	SCREW,HHF,1/4-20X.75,8,ZAG	2
3	824113GT	WASHER,FLAT,USS,1/4,ZAG	2
4	56912GT	SPRING CLIP,1/4-20,.025-.15X.54,ZAG	2
5	88337GT	CYLINDER,STEER	1
5-	88338GT	SEAL KIT, 88337	
6	36676GT	TIE ROD,WELDMENT,Z34 US part number	1
6B	1282094GT	TIE ROD,WELDMENT,Z34, METRIC Z-34N; China part number	1
7	74312GT	YOKE ASSY,LH,Z30NRJ Z-34N, left front (shown)	2
7A-	25817GT	BEARING,1.00IDX1.25ODX1.00L	1
7A-	45071GT	BEARING,1.5IDX1.75ODX1.5L	2
7B	74313GT	YOKE ASSY,RH,Z30NRJ Z-34N, right front	2
7B-	25817GT	BEARING,1.00IDX1.25ODX1.00L	2
7B-	45071GT	BEARING,1.5IDX1.75ODX1.5L	2
8	45074GT	WASHER,THRUST,1.5 X 3.5 X .187	4
9	94908GT	TIRE & WHEEL ASSY,FRONT N-M Z-34N; solid non-marking tire, 8-hole wheel (Z-34N tire shown)	2
10	824042GT	NUT,LUG,5/8-18X90 DEG,ZAG	18
11	45043GT	HUB ASSEMBLY MODEL#60-8***	2
11-	21166GT	LUG BOLT,5/8-18,WHEEL HUB***	
11-	45107GT	INNER CONE - MODEL 60-8 large bearing race not included	
11-	45108GT	OUTER CONE - MODEL 60-8 small bearing race not included	
11-	40146GT	BEARING RACE (SMALL) (45873) outer cone not included	2
11-	40145GT	BEARING RACE (LARGE) (45873) inner cone not included	2
11-	45111GT	CAP,DUST,45873 HUB KIT	
11-	45112GT	WASHER,SPINDLE	
11-	45113GT	NUT,SPINDLE,1-14	
11-	45873GT	SEAL/BEARING KIT (45043,54840)	



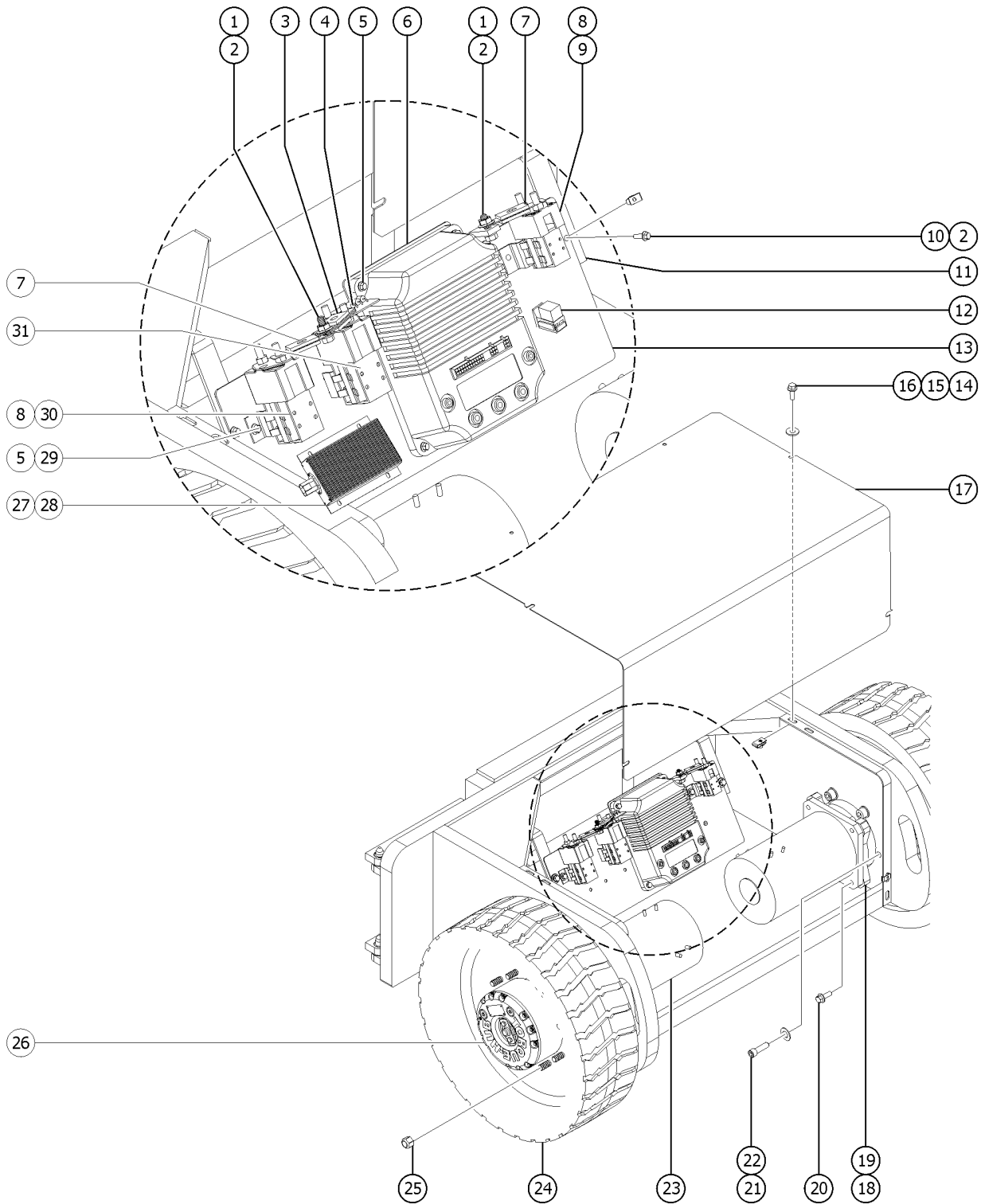
201.1 Steer End



<i>Item</i>	<i>Part No.</i>	<i>Description</i>	<i>Qty.</i>
12	36211GT	PIN,1.50DIAX3.25LG,1HOLE Z-34N	4
13	825019GT	ROD END, .375X3.69, ZAG Z-34N	4
14	824090GT	SCREW,HHF,3/8-16X1,8,ZAG	4
15	824128GT	RUE RING,3/4,ZAG	2
16	824126GT	PIN,CLEVIS,3/4X3,ZAG	2
17	824129GT	RUE RING, 1.0, ZAG	2
18	824127GT	PIN, CLEVIS, SAE 1.0 X 2.41, ZAG	2



202.1 Non-Steer End, Electronic Control Module

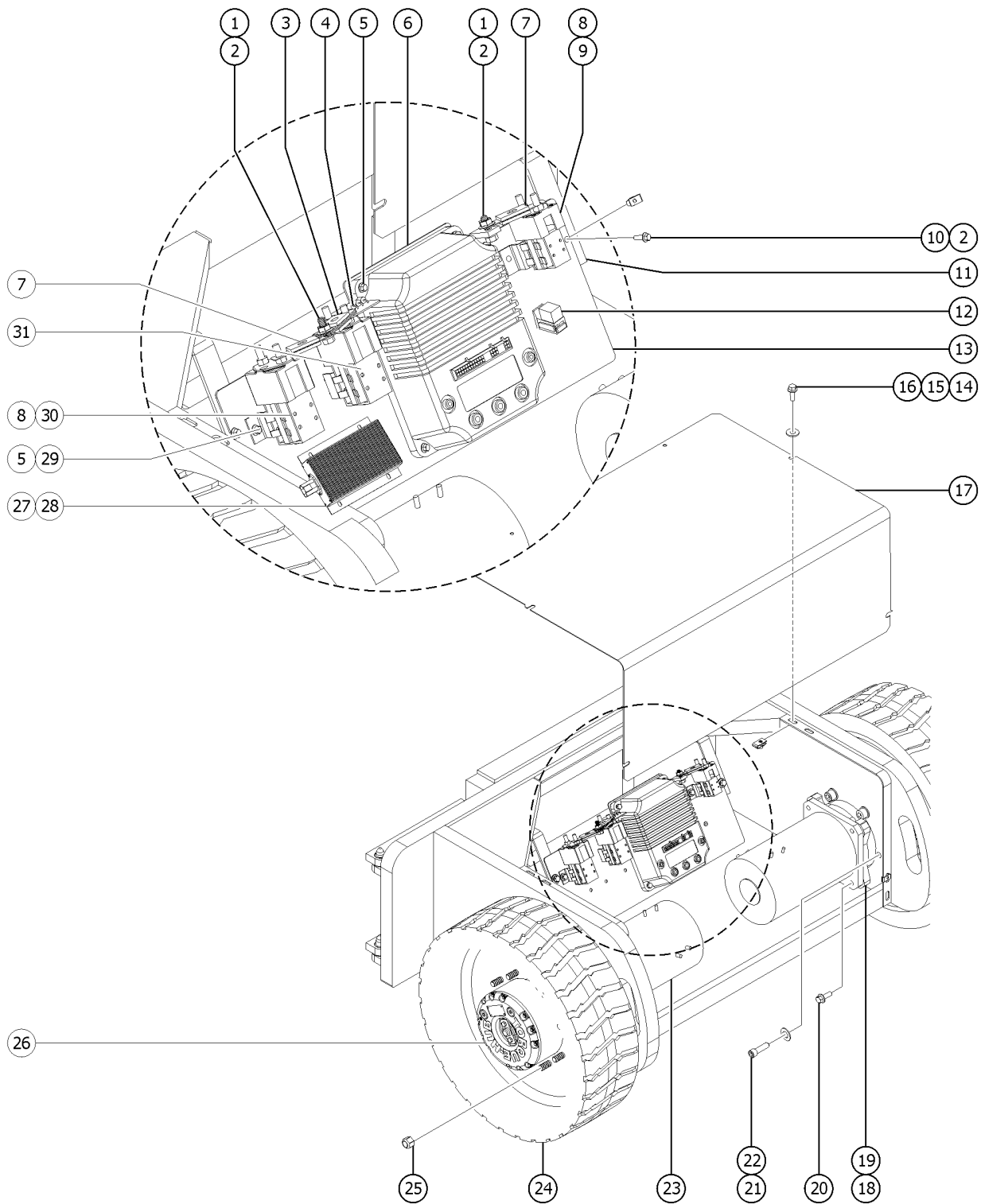


202.1 Non-Steer End, Electronic Control Module

Item	Part No.	Description	Qty.
1	1255805GT	NUT,SERRATED,5/16-18,8,ZAG	2
2	824086GT	SCREW, HHF, 5/16-18 X 1, 8, ZAG	3
3	43179GT	FUSE,500 AMP,VERY FAST ACTING	1
4	56930GT	DIODE,PCB DRIVE CONTACTOR**	1
5	824079GT	SCREW,HHF,1/4-20X1,8,ZAG	4
6	128335GT	CONTROLLER,SEP-EX,Z34N***	1
6B	128965GT	KIT CONTROL SEPEX UPGRADE 34BI includes 128336, wire harness and fasteners	1
6B-	128336GT	CONTROLLER,SEPEX Z34DC/BE	1
6B-	56029GT	CONNECTOR,MOLEX 24-WAY**	
6B-	56030GT	TERMINAL,MOLEX 16 GAUGE***	
6B-	56561GT	TOOL,TERMINAL CRIMPER,MOLEX***	
6B-	56562GT	TOOL,TERMINAL EXTRACTOR,MOLEX	
7	36355GT	FUSE,100 AMP,VERY FAST ACTING	2
8	74282GT	DUST SHIELDS,180A CONTACTOR	4
		for EE units only	
9	1304130GT	CONTACTOR,24V,80A,SPST,SEAL,UNBRANDED	1
9A-	22262GT	CONTACT,MOVING,19549RELAY*	
9A-	22263GT	CONTACT,STATIONARY,19549RELAY*	
9A-	74495GT	SPRING, RETURN (FOR 74268)	
9B	74266GT	CONTACTOR,LIFT PUMP 24V 180A**	1
		for EE units only	
10	36456GT	SPRING CLIP,5/16-18,.025-.15X.	1
11	45454GT	CLAMP,RUB CUSH,0.75,#12 X 3/8*	1
12	823226GT	POWER RELAY, 24V COIL	1
		for drive light option	
12-	61226GT	RELAY SOCKET,70AMP	
13	74424GT	CONTACTOR PANEL ASSEMBLY	1
		includes item 29, Z-34N to SN 10983, Z-34 to SN 9685	
13B	236665GT	ASSEMBLY, CONTROLLER PLATE	1
		includes item 29, Z-34N from SN 10984, Z-34 from SN 9686	
14	824078GT	SCREW,HHF,1/4-20X.75,8,ZAG	4
15	824113GT	WASHER,FLAT,USS,1/4,ZAG	4
16	56912GT	SPRING CLIP,1/4-20,.025-.15X.54,ZAG	4



202.1 Non-Steer End, Electronic Control Module

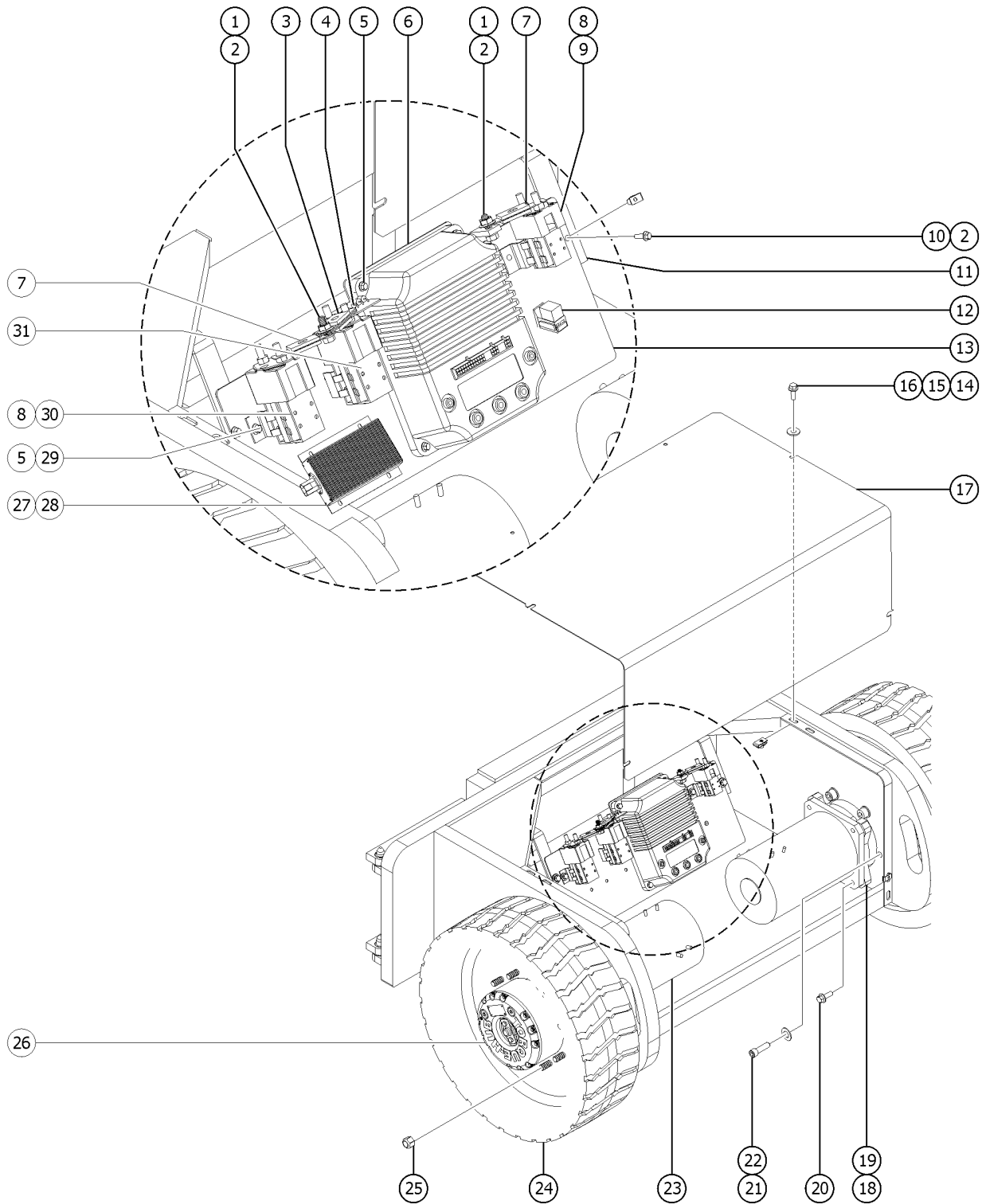


202.1 Non-Steer End, Electronic Control Module

Item	Part No.	Description	Qty.
17	128730GT	COVER, DRIVE CHASSIS,Z34N 34.88-inches wide, decals not included, refer to section 100	1
17B	128729GT	COVER, DRIVE CHASSIS, Z34 40.63-inches wide, decals not included, refer to section 100	
18	824103GT	SCREW,SHC,1/2-13X3,A574,ZAG	4
19	139351GT	BRAKE, NEMA, 1200 IN/LB	2
19-	65608GT	BEARING KIT, AUSCO***	
19-	139353GT	STACK KIT, AUSCO 1200 IN/LB	
19-	139354GT	O-RING KIT, AUSCO 1200 IN/LB	
19-	139355GT	GASKET KIT, AUSCO 1200 IN/LB	
20	824091GT	SCREW, HHF, 3/8-16 X 1.25, 8, ZAG	8
21	824106GT	SCREW,SHC,5/8-11X2.75,A574,ZAG Z-34N	12
22	824121GT	WASHER, FLAT, .688 X 1.160 X .09, ZAG	12
23	74643GT	MOTOR,DRIVE,SEPEX	2
23-	44778GT	BEARING,MOTOR,36843,BRUSH END*	
23-	65872GT	BRUSH LEAD ASSEMBLY KIT(56831)	
23-	72078GT	BRUSH BOX ASSY	
23-	T108887GT	SPRING, BRUSH	
24	94909GT	TIRE & WHEEL ASSY,REAR N-M Z-34N; solid, non-marking, 9 hole x 9.5 inch BC	2
25	824042GT	NUT,LUG,5/8-18X90 DEG,ZAG	18
26	106148GT	WHEEL DRIVE,4HB,48:1*** verify before ordering; DO NOT USE with a different torque hub	2
26A-	58320GT	KIT,TORQUE HUB COVER(101584)** for 106148	
26A-	215777GT	INPUT CARRIER, SUB-ASSEMBLY for 106148	
26A-	106117GT	O-RING,2-010,VITON for 106148 (Mating O-ring for Brake Port)(Extremely small)	
26A-	1286600GT	SEAL KIT,WHEEL DRIVE (106148/106445/107712) for 106148 (inventory limited to stock on hand as component is no longer available)	
26A-	1286600GT	SEAL KIT,WHEEL DRIVE (106148/106445/107712) for 106148	
26A-	106120GT	WHEEL STUD, 4HP, 5/8-18*** for 106148	
26A-	106121GT	ROD,DISCONNECT 4HP/4HB*** for 106148	
26A-	106122GT	CAP,DISENGAGE,4HP/4HB*** for 106148	
26A-	106123GT	O-RING,END COVER,4HP/4HB*** for 106148	



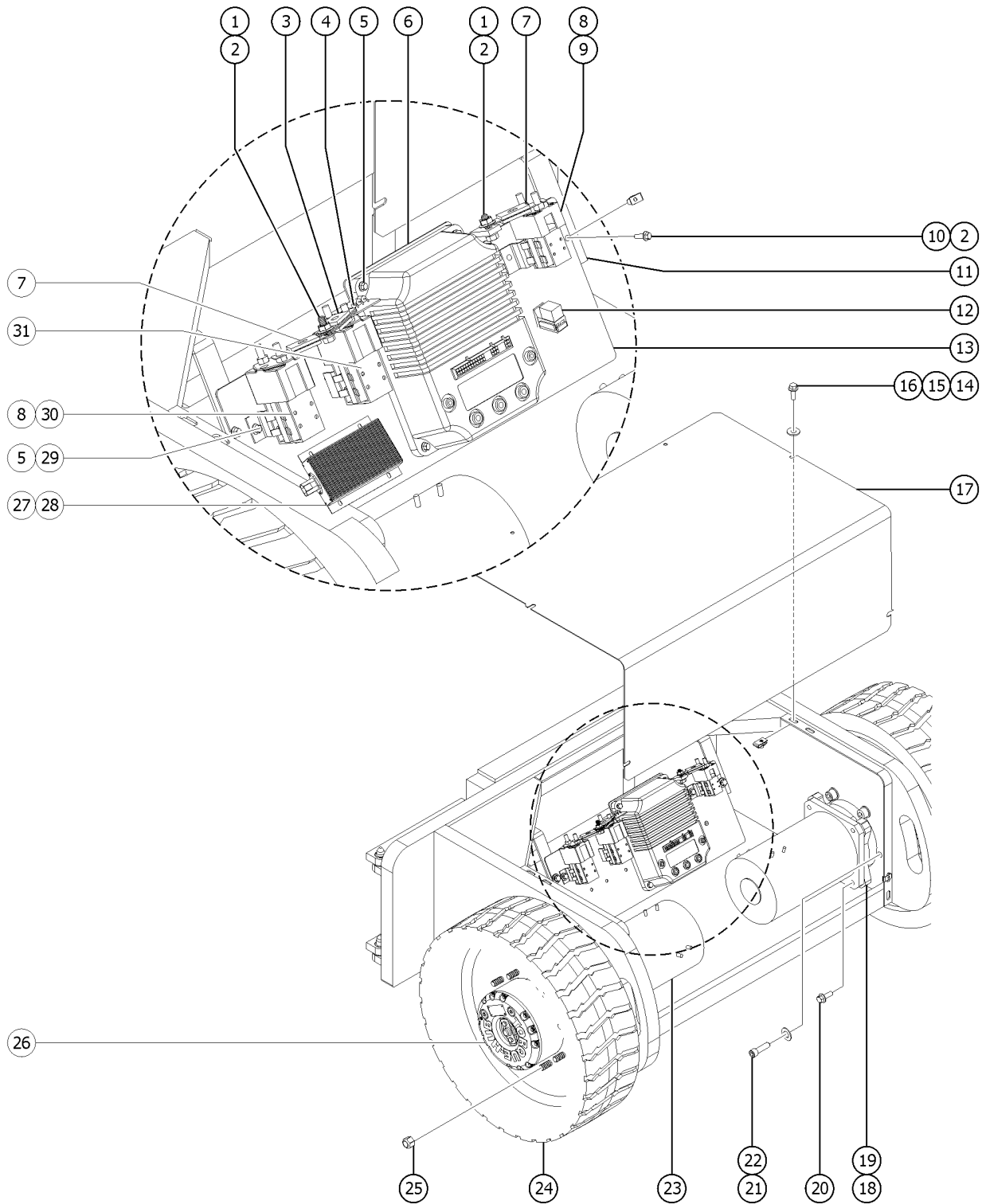
202.1 Non-Steer End, Electronic Control Module



Item	Part No.	Description	Qty.
26A-	106124GT	LINING KIT, BRAKE, 4HP*** for 106148	
26A-	106125GT	SEAL KIT, BRAKE, 4HP for 106148 (inventory limited to stock on hand as component is no longer available)	
26A-	1286602GT	SEAL KIT,WHEEL DRIVE W/BRAKE (101584/101585) for 106148	
26A-	106126GT	BEARING KIT,4HP for 106148 (inventory limited to stock on hand as component is no longer available)	
26A-	1286603GT	BEARING KIT,WHEEL DRIVE W/BRAKE (101584/101585) for 106148	
26A-	146051GT	BEARING NUT*** for 106148	
26A-	232486GT	SNAP RING,WHEEL DRIVE for 106148	
26A-	146052GT	SET SCREW*** for 146051	
26A-	9990074GT	COUPLING for 106148 (brake coupler)	
26B	218570GT	WHEEL DRIVE, NON-BRAKE, 47.6:1 verify before ordering; DO NOT USE with a different torque hub	2
26B-	139965GT	WHEEL STUD,5/8-18,OMNI*** for 218570	
26B-	139966GT	ROD,DISCONNECT,OMNI*** for 218570	
26B-	139967GT	CAP,DISENGAGE,OMNI*** for 218570	
26B-	139968GT	O-RING,END COVER,OMNI*** for 218570	
26B-	147034GT	PIPE PLUG KIT,OMNI*** for 218570	
26B-	229833GT	BEARING KIT, OMNI for 218570	
26B-	229834GT	SEAL KIT, OMNI for 218570	
26B-	58531GT	ORING,568-908 N552-90 NBR,10PK for 218570	
27	79452GT	CONVERTER, DC-DC, 48-26 VOLT** from SN Z34N-10984; Z34-	1
27-	822917GT	KIT, DC-DC CONVERTER, DC Z-34N/DC field install kit	
27-	822918GT	KIT, DC-DC CONVERTER, BE Z-34BE field install kit	
28	1251757GT	SCREW,PHPM,10-32X.50,ZAG from SN Z-34N-10984;	4
29	23404GT	NUTSERT,1/4-20,STEEL CAD PLTD	2
30	74266GT	CONTACTOR,LIFT PUMP 24V 180A**	1
30-	62695GT	CONTACT,STATIONARY (56434)**	
30-	62696GT	CONTACT-MOVEABLE (56434)**	
30-	74471GT	SPRING,RETURN (74266)	
31	74267GT	CONTACTOR,DRIVE,24V,180A***	1



202.1 Non-Steer End, Electronic Control Module

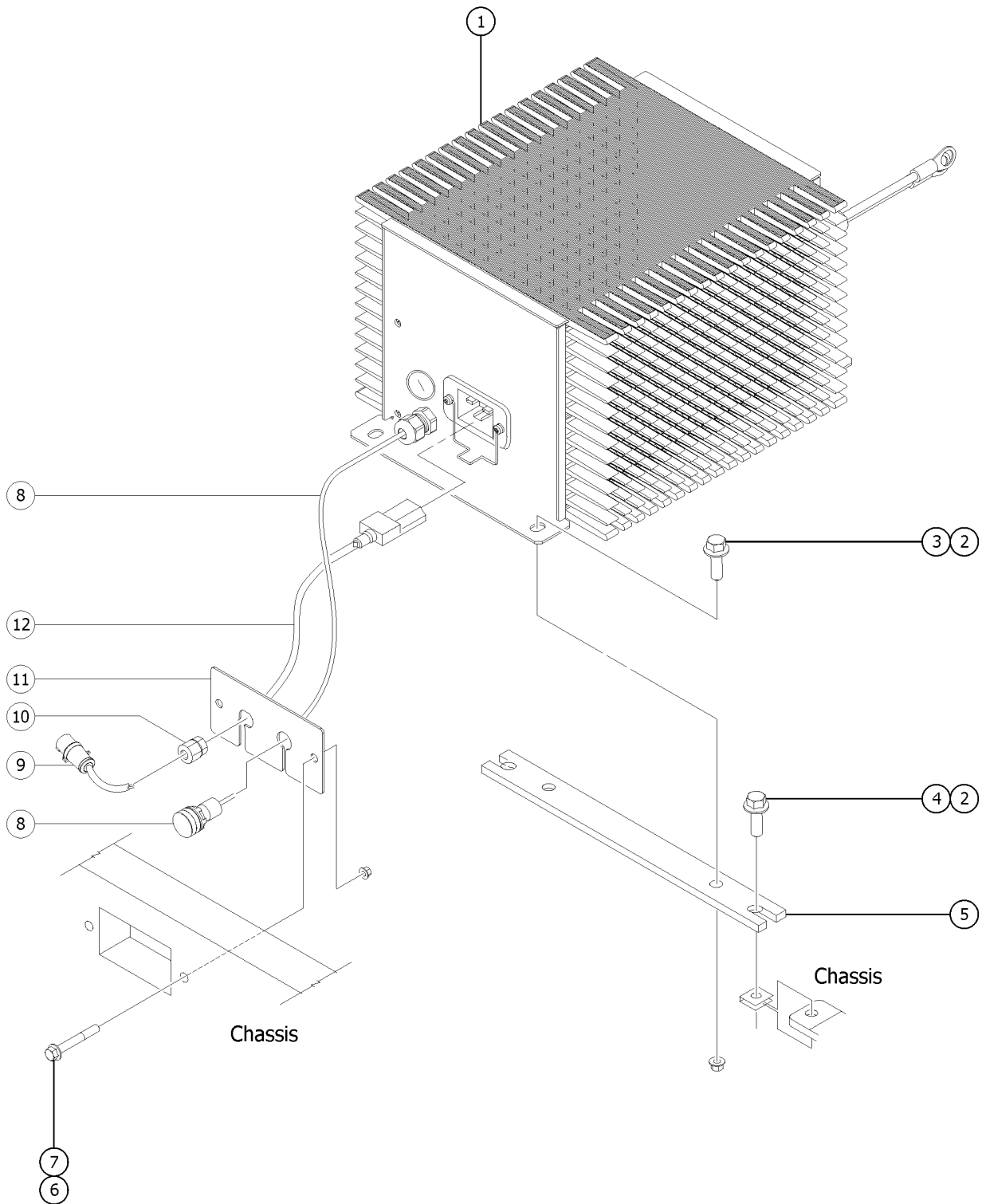


202.1 Non-Steer End, Electronic Control Module

<i>Item</i>	<i>Part No.</i>	<i>Description</i>	<i>Qty.</i>
31-	74282GT	DUST SHIELDS,180A CONTACTOR (EE models only) Limited inventory available; this component is no longer available from our supplier	..
31-	74468GT	SPRING, RETURN (FOR 74267)	
31-	74469GT	FIXED CONTACT (FOR 74267)	
31-	74470GT	MOVING CONTACT (FOR PN 74267)	



203.1 Battery Charger

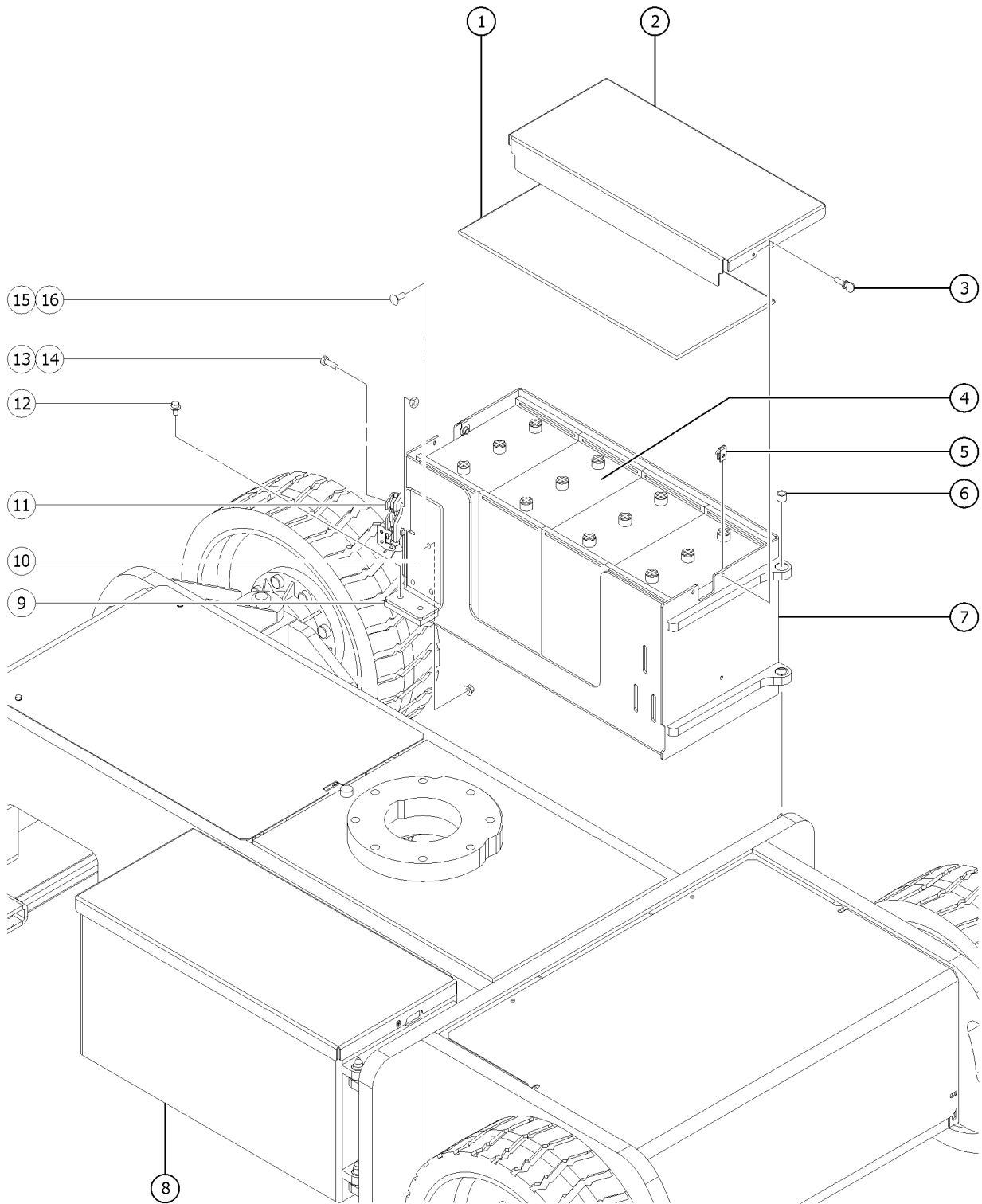


203.1 Battery Charger

Item	Part No.	Description	Qty.
1	128375GT	CHARGER 48V/30A AUTO AC X-LED includes item 8 (order power cord separately)	1
1-	133286GT	DECAL, POWER TO CHARGER, UNIV	1
1-	139858GT	HARN.CHARGER INTERLOCK Z34	1
1-	228947GT	CLIP,RETAINING,IES CHARGER	1
2	824078GT	SCREW,HHF,1/4-20X.75,8,ZAG	8
3	1277924GT	NUT,NYLOCK FLG,1/4-20,F,ZAG	4
4	56912GT	SPRING CLIP,1/4-20,.025-.15X.54,ZAG	4
5	36673GT	PLATE,CHARGER MOUNT US part number	2
5B	1281370GT	PLATE,CHARGER MOUNT, METRIC China part number	2
6	824094GT	SCREW, HHF, 3/8-16 X 2.75, 8, ZAG	2
7	824029GT	NUT, TL FLG, 3/8-16, G, ZAG	2
8	228973GT	KIT,ASSY,LED,IES CHARGER with spade terminals	1
8-	230759GT	ASSY,IES CHARGER LED	1
8-	19246GT	TERMINAL,FEMALE COUPLER,18-22G	1
8-	19247GT	TERMINAL,MALE COUPLER,18-22GA.	2
9	1280665GT	PLUG, TYPE F, 230A, 50HZ, 16A, IP44 Euro 220V	1
9B	144161GT	PLUG,PWR,UK,16AMP,3PIN,BLK UK 110V	
9C	25388GT	PLUG,FUSED,250V,13AMP,U.K.** UK 220V	
9C-	65737GT	FUSE,13 AMP,220V PLUG*** (for 25388)	
10	128118GT	BUSHING,STRAIN RELIEF,.875/.40 domestic	1
10B	139318GT	BUSHING,STRAIN RELIEF,.875/.30 UK	1
11	128825GT	BRACKET, CHARGER CORD AND LED US part number	1
11B	1281327GT	BRACKET, CHARGER CORD AND LED, METRIC China part number	1
12	128377GT	CORD AC IEC320-C19 TO 110US US 110V	
12B	128376GT	CORD EURO AC IEC320-C19PIGTAIL EU 110V	
12C	128645GT	CORD AC IEC320-C19 TO 220EU EU 220V	



204.1 Battery Packs

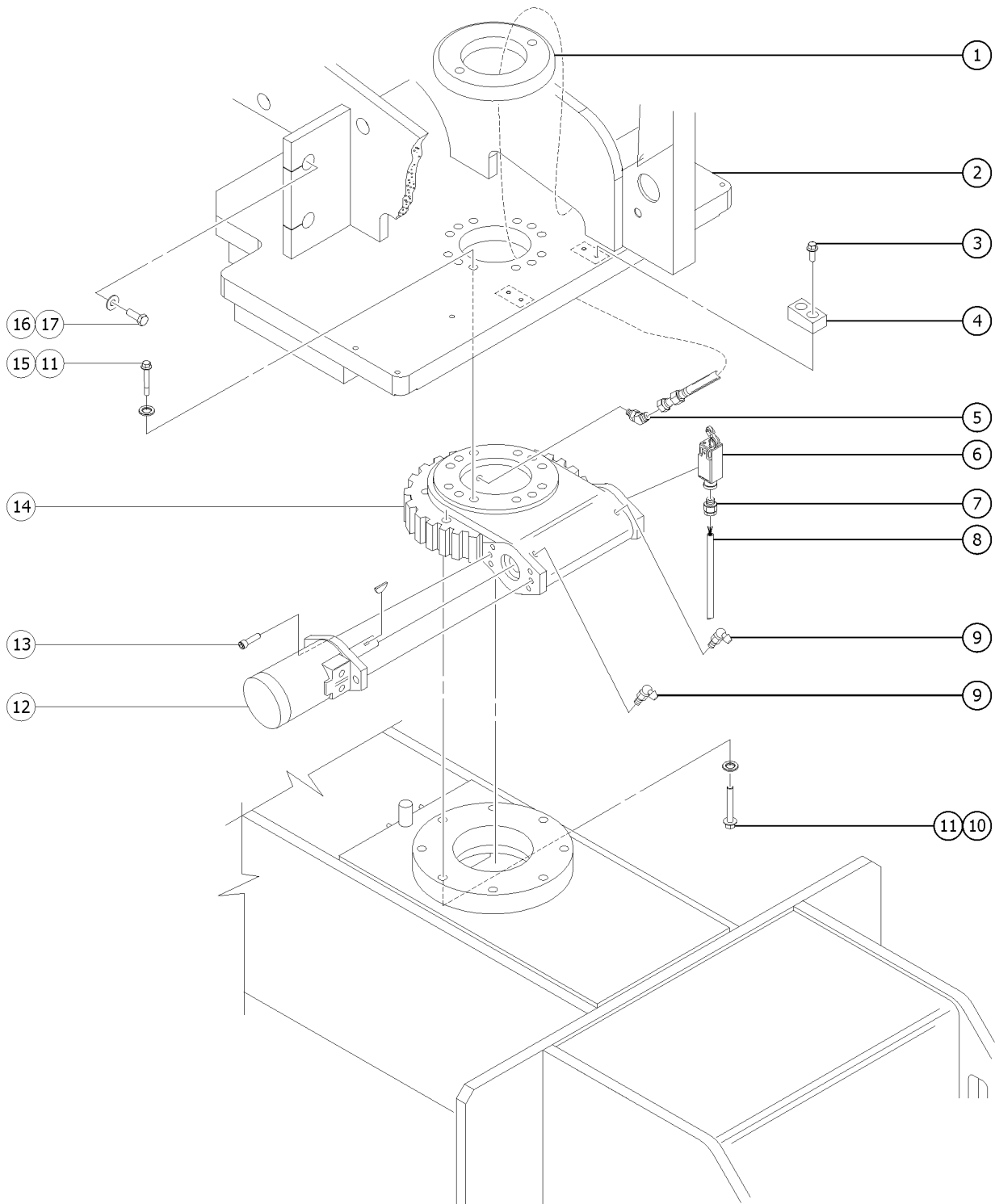


204.1 Battery Packs

Item	Part No.	Description	Qty.
1	106241GT	INSULATION,48V BATT.BOX LID for models with AGM batteries	1
2	229729GT	COVER,BATTERY BOX lid with no decals; 13.36 inches x 29.50 inches	
3	824228GT	SCREW,THUMB,A-REG,3/8-16X1,ZAG	4
4	56462GT	BATTERY, J 305GH, 315AH	8
4B	823685GT	BATTERY,AGM,6V/320A,J305 used with universal charger 128375 revision E or later	8
5	29868GT	SPRING CLIP,3/8-16,.05-.20X.73,ZAG	4
6	36369GT	BEARING,0.75IDX1.00ODX0.75L	8
7	94022GT	BATTERY BOX ASSY. W/DECALS RH Z-34N; includes items 9-16	1
7B	77969GT	BATT. BOX ASSY.RH, Z34DC Z-34DC; includes items 9-16	1
7B-	45382GT	SHIM,PRIMARY BOOM,.052 THK. Z-34DC	1
7B-	45465GT	SHIM,PRIMARY BOOM,.022 THICK Z-34DC	1
7C	106054GT	BATT BOX ASSY.W/DECAL 34BI RH* Z-34BE; includes items 9-16	1
8	94023GT	BATTERY BOX ASSY. W/DECALS LH Z-34N; includes items 9-16	1
8B	77970GT	BATT. BOX ASSY.LH, Z34DC Z-34DC; includes items 9-16	1
8B-	45382GT	SHIM,PRIMARY BOOM,.052 THK. Z-34DC	1
8B-	45465GT	SHIM,PRIMARY BOOM,.022 THICK Z-34DC	1
8C	106055GT	BATT BOX ASSY.W/DECAL 34BI LH* Z-34BE; includes items 9-16	1
9	45209GT	WEAR PAD,4X2X.5 W/INSERT***	2
10	229806GT	FORMING,BATTERY BOX LATCH RH	1
10B	229805GT	FORMING,BATTERY BOX LATCH LH	1
11	66901GT	LATCH,ROTARY, W/KNOB,RIGHT (Shown)	1
11B	66900GT	LATCH,ROTARY, W/KNOB, LEFT	1
12	824077GT	SCREW, HHF, 1/4-20 X .5, 8, ZAG	4
13	824066GT	SCREW,HHC,5/16-18X1.375,8,ZAG	6
14	1252977GT	NUT,TL JAM,5/16-18,A,ZAG	6
15	824125GT	BOLT,CARRIAGE,3/8-16X1,5,ZAG	6
16	1274322GT	NUT,NYLOCK FLG,3/8-16,F,ZAG	6



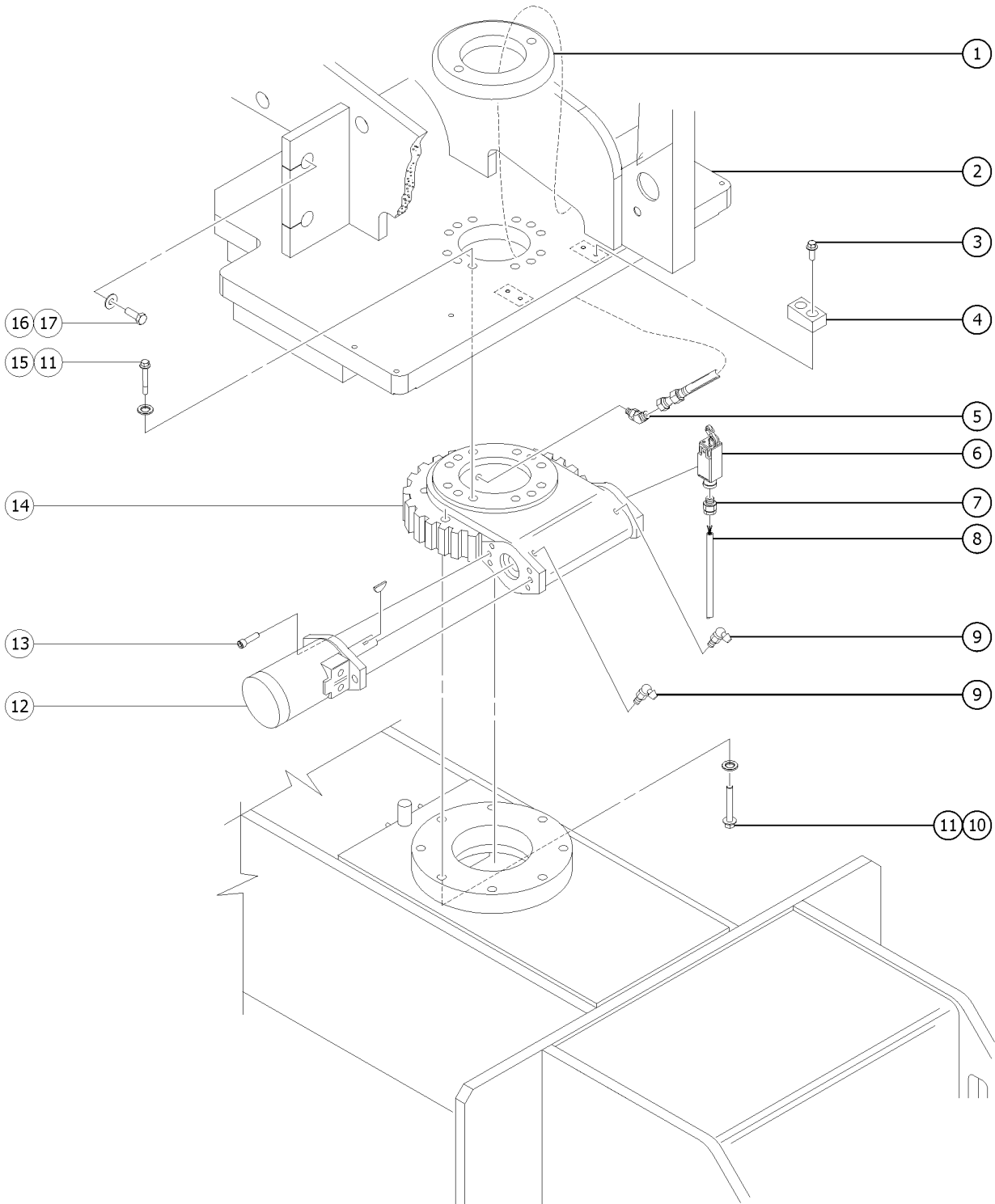
301.1 Turntable Rotator



Item	Part No.	Description	Qty.
1	42363GT	RING,HOSE PROTECTOR	1
2	94220GT	WELDMENT,SWING CHASSIS Z34	1
2B	94219GT	WELDMENT,SWING CHASSIS Z34N	1
3	824090GT	SCREW,HHF,3/8-16X1,8,ZAG	4
4	74086GT	REST PAD, LOWER ARM REST	2
		Z-34N	
5	31194GT	ELBOW,070302-4-2	1
6	110232GT	HARNES LS3 OP DRIVE ENABLE	1
		includes limit switch, wiring and connectors	
6-	119762GT	CONN PLUG 4 WAY EXTEND DT	1
6-	60429GT	LOCK,PLUG 4 WAY,14-18GA	1
6-	73714GT	TERM,NI SOC,S&F,16-18GA,REEL	4
6-	88356-12103GT	SWITCH,LIMIT,W/ROLLER ARM	1
7	7056GT	CONN,SQUEEZE,1/2NPT .38-.50,SM	1
8	43960GT	WIRE CABLE,16/4 CON.TPE JKT	71
9	22794GT	ZERK,GREASE,1/8 NPT,45DEG	2
10	1263141GT	SCREW,HHC,5/8-11X5.5,8,ZAG	8
11	13064GT	WASHER,FLAT,.625 HARDENED	20
12	128453GT	MOTOR,TURNTABLE,125CC***	1
12-	84312GT	SEAL KIT,ROTATE MOTOR	
13	824102GT	SCREW,SHC,1/2-13X1.5,A574,ZAG	2
14	119111GT	ROTATOR TURNTABLE ASSEMBLY***	1
14-	128565GT	SHIM KIT,TURNTABLE***	
		for 119111	
14-	128618GT	SEAL KIT***	
		for 119111	
14-	128619GT	ZERK,GREASE,1/8 NPT,67.5 DEG**	
		for 119111	
14-	128620GT	ZERK,GREASE,1/8 NPT,45 DEG***	
		for 119111	
14-	128621GT	BEARING,CUP***	
		for 119111	
14-	128622GT	BEARING,CONE***	
		for 119111	
14-	128899GT	SHAFT,WORM GEAR***	
		for 119111	
14-	139008GT	SNAP RING,INT,2.88 DIA***	
		for 119111	



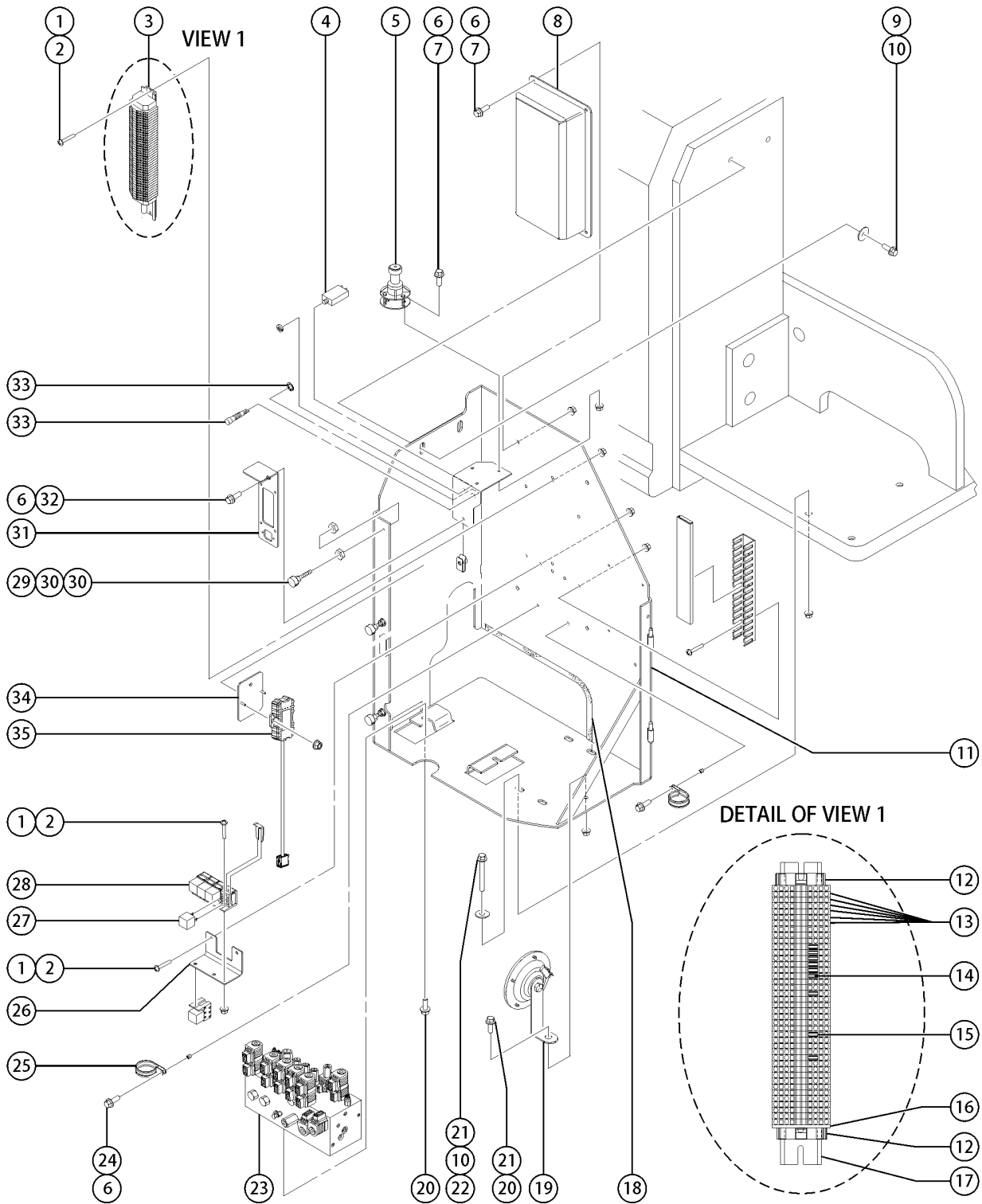
301.1 Turntable Rotator



<i>Item</i>	<i>Part No.</i>	<i>Description</i>	<i>Qty.</i>
14-	1284189GT	CASE COVER,ROTATOR,Z30/34 (119111) for 119111	
15	1263142GT	SCREW,HHC,5/8-11,4.5,8,ZAG	12
16	824074GT	SCREW,HHC,1-8X3,8,ZAG	2
17	824116GT	WASHER, FLAT, F436, 1.0, ZAG	2



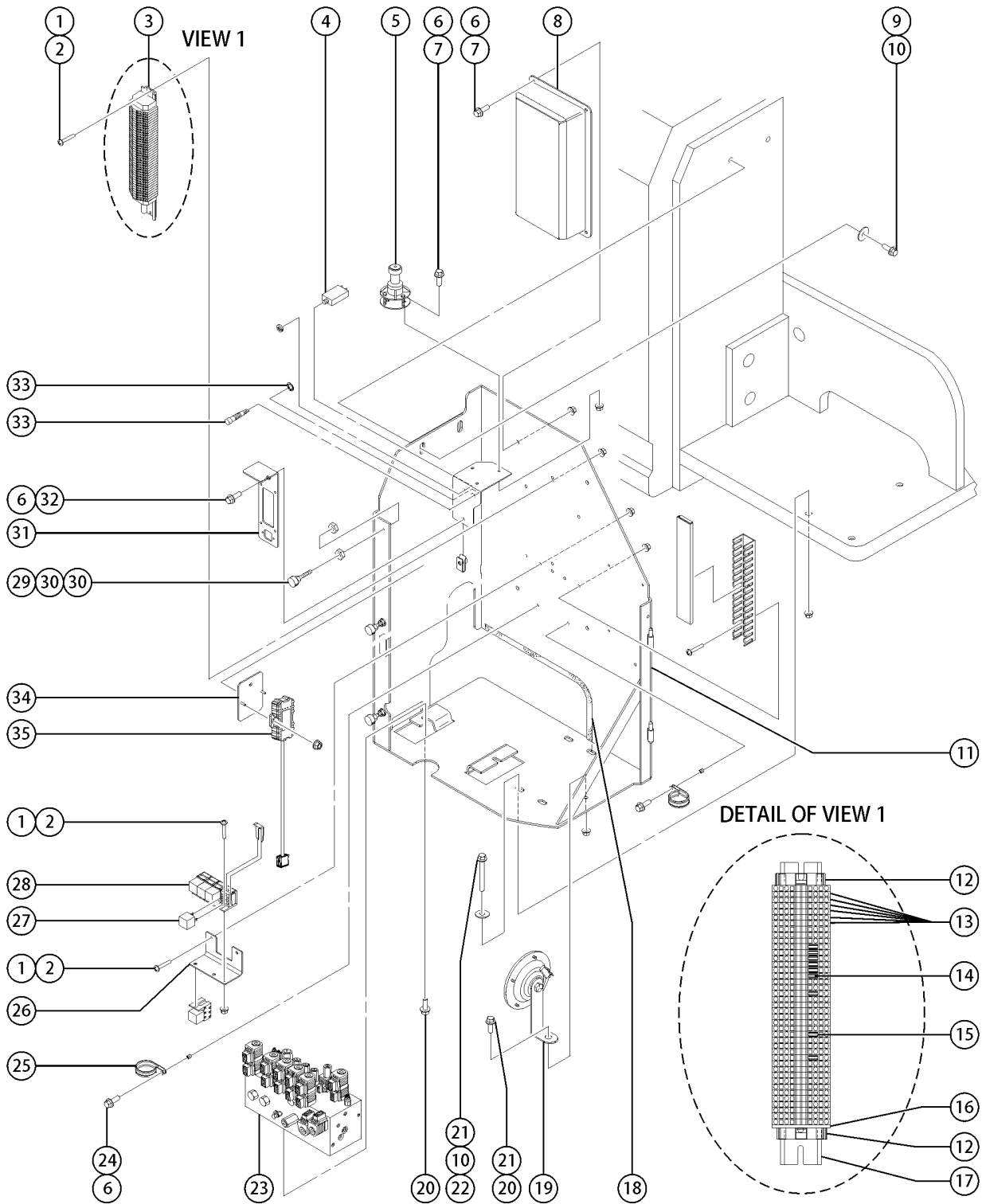
302.1 Ground Control Side - View 1



Item	Part No.	Description	Qty.
A	1289561GT	BRACKET, TELEMATICS	
A	1289520GT	MODULE, TELEMATICS, ZTR, M7, NORTH AMERICA	
A	1289521GT	MODULE, TELEMATICS, ZTR, M7, EMEA/APAC	
		EMEA/APAC	
1	824215GT	SCREW,PHPM,10-32X.75,ZAG	9
2	824032GT	NUT,TL FLG,10-32,F,ZAG	9
3	1259574GT	TERMINAL RAIL, Z30/34DC	
		includes items 12-17	
4	147093GT	ASSY, CIRCUIT BREAKER 10A	1
5	94077GT	SENSOR,LEVEL,4.5 DEG	1
		Z34N/DC,ANSI models; white ring, to SN Z34D-380	
5B	110382GT	LEVEL SENSOR,LS60,YL,2.5X4.5	1
		Z34N/DC,ANSI models; white ring, to SN Z34D-380	
5C	42439GT	SENSOR,LEVEL 3 DEG**	1
		Z34N/DC,ANSI models; white ring, to SN Z34D-380	
5D	1261984GT	SENSOR, LEVEL, 4.5 X 4.5 DEG	1
		Z34N/DC,ANSI models; white ring, from SN Z34D-381 to Z34D-1899	
5E	1263187GT	SENSOR, LEVEL,2.5 X 4.5 DEG	1
		Z34N/DC,CE models; yellow ring, from SN Z34D-381	
5F	1288895GT	SENSOR,LEVEL 3 DEG	1
		Z34N/DC,AUS models; black ring, from SN Z34D-381	
6	824078GT	SCREW,HHF,1/4-20X.75,8,ZAG	7
7	1277924GT	NUT,NYLOCK FLG,1/4-20,F,ZAG	5
8	110626GT	COVER,TERMINAL STRIP, CONN	1
9	824091GT	SCREW, HHF, 3/8-16 X 1.25, 8, ZAG	2
10	824120GT	WASHER,FLAT, .375X1.50X.125,ZAG	4
11	56784GT	CVR SUPPORT WELDM'T LH.34N/34	1
		US part number	
11B	1285280GT	COVER SUPPORT, LEFT SIDE, METRIC	1
		China part number	
12	74913GT	END STOP, DIN RAIL,SCREW CLAMP	2
13	216791GT	TERMINAL BLOCK,WIELAND	26
14	74917GT	JUMPER COMB, 2-WAY,WIELAND	
15	74918GT	JUMPER COMB, 3-WAY,WIELAND	1
		from SN Z-34N-11787 and Z-34DC-10364	
16	216793GT	TERMINAL BLOCK END PLATE	1
17	56994GT	DIN RAIL,11.25"	1
18	19018GT	TRIMLOCK,BLACK,5/32"	49
			.5
19	81579GT	HORN, 24VDC, SPADE TERMINALS***	1

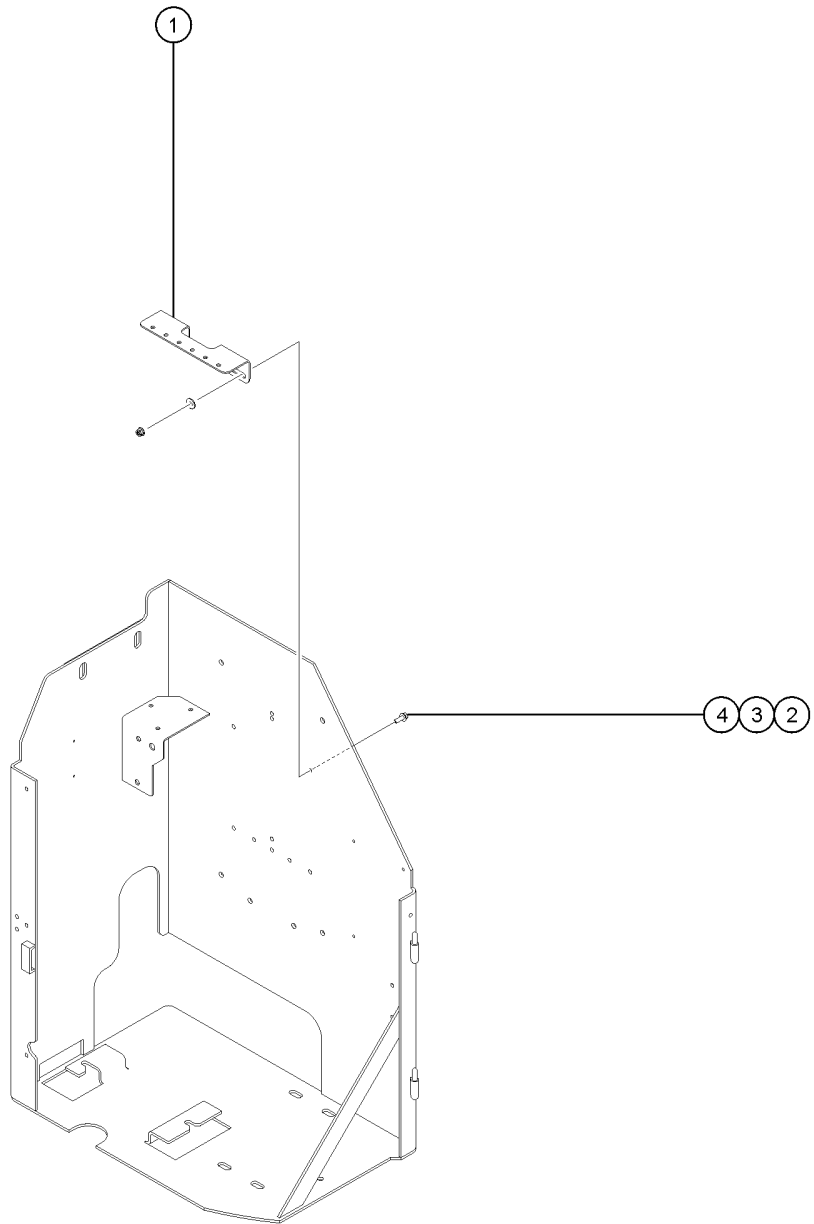


302.1 Ground Control Side - View 1



Item	Part No.	Description	Qty.
20	824090GT	SCREW,HHF,3/8-16X1,8,ZAG	3
21	824029GT	NUT, TL FLG, 3/8-16, G, ZAG	3
22	824095GT	SCREW, HHF, 3/8-16 X 3, 8, ZAG	2
23		Ref. Function Manifold	
		refer to 701.1	
24	23404GT	NUTSERT,1/4-20,STEEL CAD PLTD	2
25	21619GT	CLAMP,1.50,#24 X 1/4,RUB CUSH	2
26	56791GT	ANGLE RELAY MOUNTING	1
27	56302GT	RELAY,24VDC,40/30A,SEALED***	
28	34053GT	ASSY,RELAY SOCKET, AUTO	
29	36388GT	BUMPER,RUBBER,.75 X .50H,STUD	3
30	824037GT	NUT, HH JAM, 1/4-20, A, ZAG	6
31	119618GT	FORMING,BRACKET	1
		US part number	
31B	1281269GT	FORMING,BRACKET, METRIC	1
		China part number	
32	56912GT	SPRING CLIP,1/4-20,.025-.15X.54,ZAG	
33	218164GT	LIGHT,INDICATOR,RED 24V H-BRI	1
33-		LOCKWASHER,LT IND. OD.868/530	1
		included with light	
34	1289561GT	BRACKET, TELEMATICS	1
35	1289520GT	MODULE, TELEMATICS, ZTR, M7, NORTH AMERICA	1
		North America	
35B	1289521GT	MODULE, TELEMATICS, ZTR, M7, EMEA/APAC	1
		EMEA/APAC	
		EMEA/APAC	
35C	1289522GT	MODULE, TELEMATICS, ZTR, M7, APAC/ANZ	1
		APAC/ANZ	
35D	1289523GT	MODULE, TELEMATICS, ZTR, M7, JAPAN	1
		Japan	

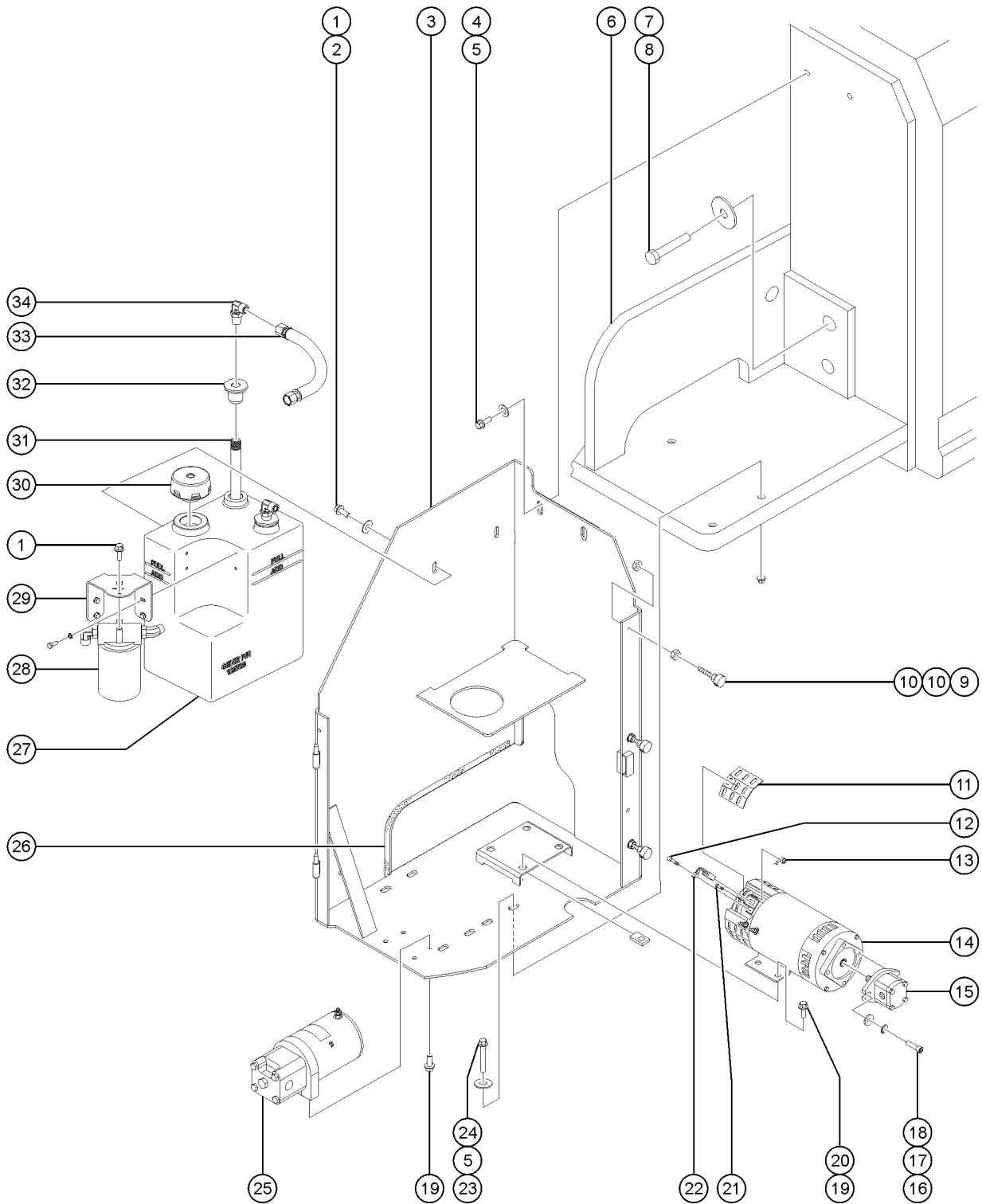
302.2 Ground Control Side - View 2



<i>Item</i>	<i>Part No.</i>	<i>Description</i>	<i>Qty.</i>
1	1298550GT	BRACKET, RELAY MOUNT	1
2	824078GT	SCREW,HHF,1/4-20X.75,8,ZAG	2
3	824113GT	WASHER,FLAT,USS,1/4,ZAG	2
4	1277924GT	NUT,NYLOCK FLG,1/4-20,F,ZAG	2



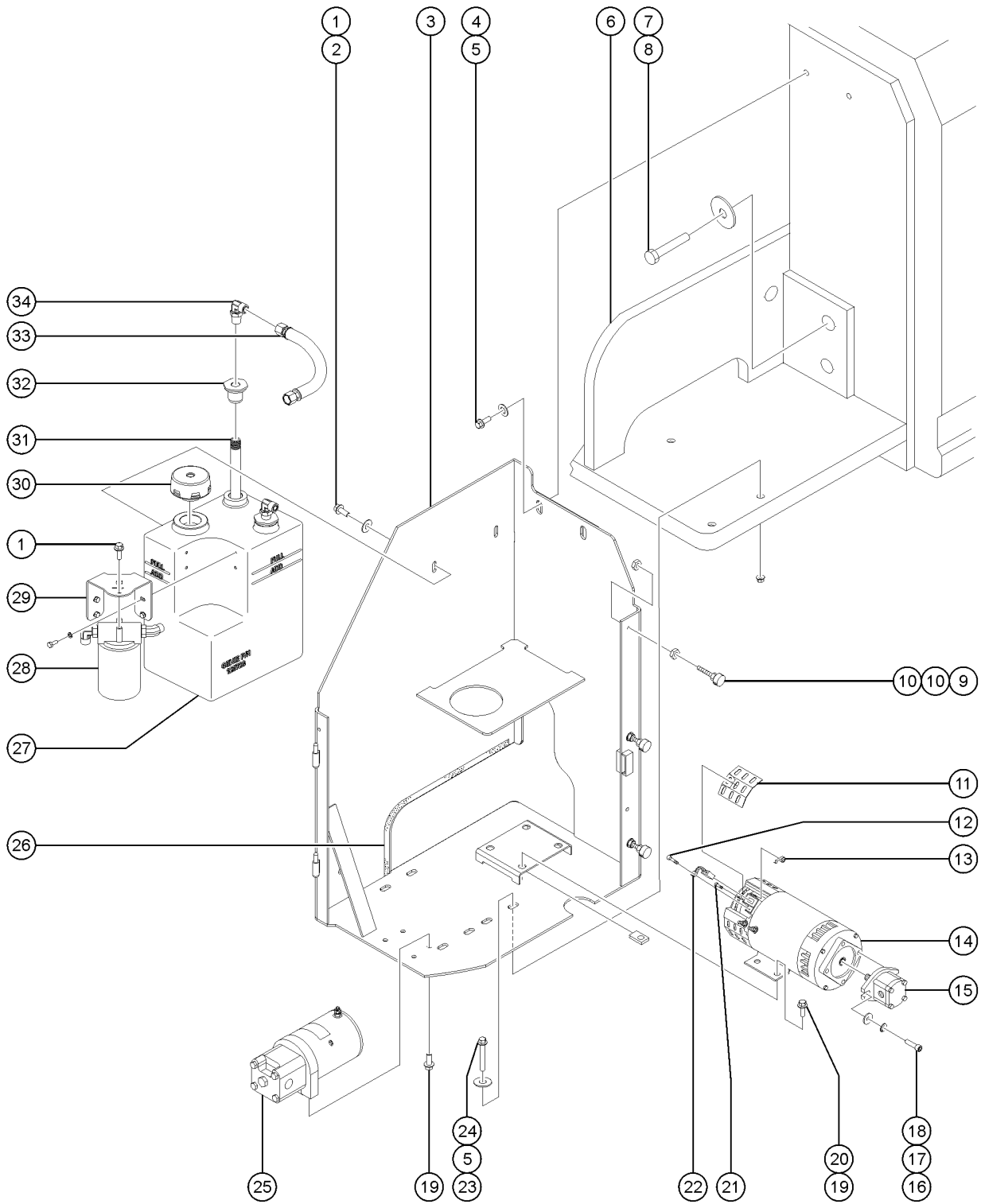
303.1 Hydraulic Tank Side



Item	Part No.	Description	Qty.
1	824077GT	SCREW, HHF, 1/4-20 X .5, 8, ZAG	8
2	824119GT	WASHER, FLAT, .25 X 1.25 X .062, ZAG	2
3	94427GT	WELDMENT,CVR SUPPORT RH*** US part number	1
3B	1282108GT	WELDMENT,CVR SUPPORT RH, METRIC China part number	1
4	824091GT	SCREW, HHF, 3/8-16 X 1.25, 8, ZAG	2
5	824120GT	WASHER,FLAT, .375X1.50X.125,ZAG	4
6	94220GT	WELDMENT,SWING CHASSIS Z34	1
6B	94219GT	WELDMENT,SWING CHASSIS Z34N	1
7	824074GT	SCREW,HHC,1-8X3,8,ZAG	2
8	824116GT	WASHER, FLAT, F436, 1.0, ZAG	2
9	36388GT	BUMPER,RUBBER,.75 X .50H,STUD	3
10	824037GT	NUT, HH JAM, 1/4-20, A, ZAG	6
11	58936GT	BRUSH COVER -PLATE-(48504)*	1
12	52913GT	SCREW,HH TAPETITE THRD8-32X.50	1
13	58933GT	BRUSH SPRING SET	1
14	48504GT	MOTOR,FUNCTION,48V DC	1
14-	44778GT	BEARING,MOTOR,36843,BRUSH END*	
14-	44777GT	BEARING,MOTOR	
14-	58934GT	BRUSH BOX ASSEMBLY	
14-	49812GT	ENCLOSING BAND KIT for EE units only	
14-	44778GT	BEARING,MOTOR,36843,BRUSH END*	
15	77981GT	PUMP,LIFT,3CC,CCW***	1
15-	77990GT	KIT,SEAL,3CC PUMP***	
16	824100GT	SCREW,SHC,3/8-24X1.25,A574,ZAG	2
17	824110GT	WASHER, LOCK, 3/8, ZAG	2
18	825358GT	WASHER,FLAT,5/16,USS,ZAG	2
19	824085GT	SCREW,HHF,5/16-18X.75,8,ZAG	6
20	36456GT	SPRING CLIP,5/16-18,.025-.15X.	4



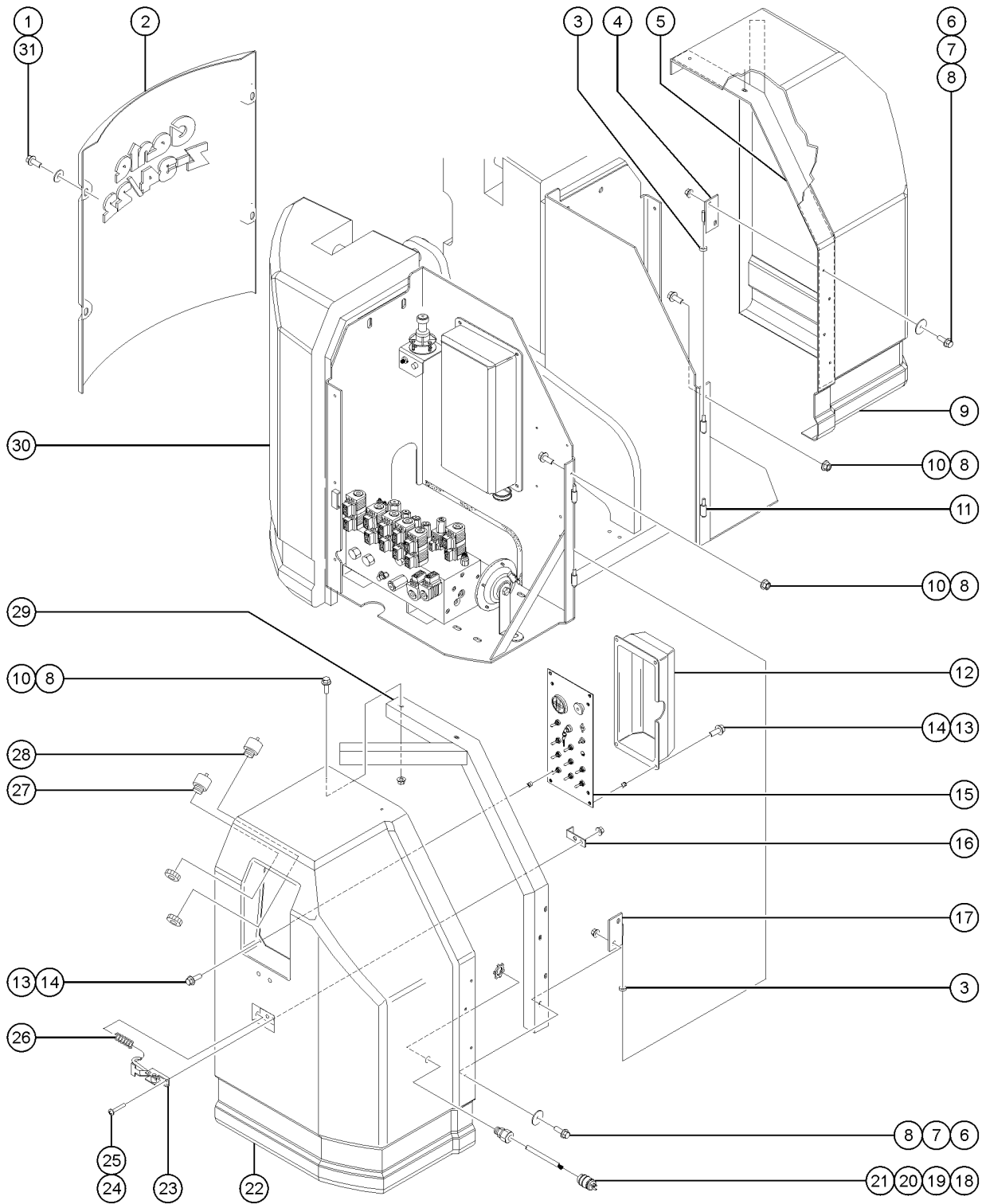
303.1 Hydraulic Tank Side



Item	Part No.	Description	Qty.
21	52914GT	SCREW,HHTAPTITE THREAD8-32X.38	
22	58932GT	BRUSH SET 4 EA	
23	824095GT	SCREW, HHF, 3/8-16 X 3, 8, ZAG	2
24	824029GT	NUT, TL FLG, 3/8-16, G, ZAG	2
25	36179GT	POWER UNIT,AUX PUMP 24VDC Part 37185GT is no longer backwards compatible with 37184GT. Order complete Aux Pump 36179GT	1
25-	37184GT	MOTOR, 24V (36179)	
25-	37185GT	PUMP ASSEMBLY (36179)	
25-	37186GT	VALVE,CHECK (36179)	
25-	37187GT	SEAL KIT, 37185 PUMP	
25-	37191GT	GASKET, PUMP / MOTOR (36179)	
25-	37192GT	COUPLER, PUMP / MOTOR (36179)	
26	19018GT	TRIMLOCK,BLACK,5/32"	49.5
27	128728GT	HYDRAULIC TANK,Z30N	1
28	78622GT	FILTER ASSY,SAE8,10 MIC,PAPR**	1
28-	44788GT	FILTER ELEMENT,10MICRON,PAPER*	
29	128808GT	BRACKET, RETURN FILTER	1
		US part number	
29B	1281275GT	BRACKET, RETURN FILTER, METRIC	1
		China part number	
30	42019GT	TANK BREATHER,NYLON **	1
31	128818GT	TUBE, HYDRAULIC TANK	2
32	39223GT	BULKHEAD FITTING,PLASTIC X 8**	2
33	81812-1188GT	ASSY, HOSE, HYD, -8, 2500, STR, STR	1
34	1267575GT	ELBOW,90D,520102-8-8	2



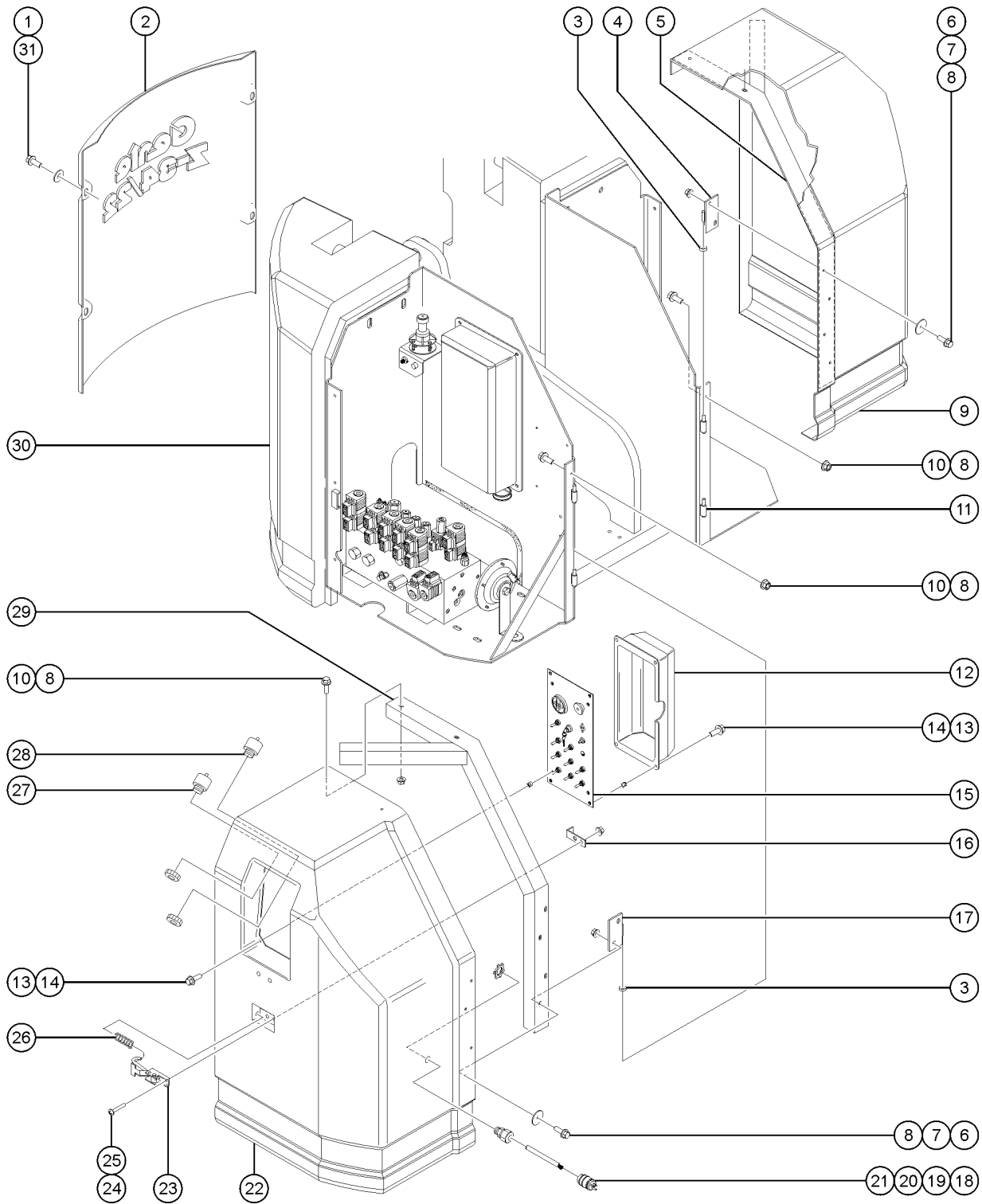
304.1 Turntable Covers



Item	Part No.	Description	Qty.
1	824089GT	SCREW, HHF, 3/8-16 X .75, 8, ZAG	4
2	139290GT	COVER,COUNTERWEIGHT,Z34	1
3	36457GT	WASHER,THRUST, .313 X .50 X .10	10
4	36414GT	HINGE,WELD,COVER,PUMP GRY/BLU	4
		US part number	
4B	1281281GT	HINGE,WELD,COVER,PUMP GRY/BLU, METRIC	4
		China part number	
5	36923PGT	WELD,COVER BRACE,RH HINGE,PNTD	1
		US part number	
5B	1282095GT	WELD,COVER BRACE,RH HINGE,PNTD, METRIC	1
		China part number	
6	824079GT	SCREW,HHF,1/4-20X1,8,ZAG	8
7	824119GT	WASHER, FLAT, .25 X 1.25 X .062, ZAG	8
8	1277924GT	NUT,NYLOCK FLG,1/4-20,F,ZAG	12
9	62502GT	COVER ASSY W/DECALS HPU**	1
		ANSI; includes items 16, 23-26	
9B	106217GT	COVER ASSY,W/SYM DEC,HPU,34DC*	1
		CE; includes items 16, 23-26	
10	824078GT	SCREW,HHF,1/4-20X.75,8,ZAG	4
11	36421GT	HINGE,WELD ON,MALE	4
12	36257GT	COVER,CONTROL PANEL	1
13	824077GT	SCREW, HHF, 1/4-20 X .5, 8, ZAG	8
14	23404GT	NUTSERT,1/4-20,STEEL CAD PLTD	8
15		Ref. Ground Control Panel	
		refer to 308.1	
16	36570GT	BRACKET,COVER LATCH	1
		US part number	
16B	1281342GT	BRACKET,COVER LATCH, METRIC	1
		China part number	
17	36415GT	HINGE,WELD,COVER,CTRLS GRY/BLU	
		US part number	
17B	1281282GT	HINGE,WELD,COVER,CTRLS GRY/BLU, METRIC	1
		China part number	
18	119403GT	CONN,PLUG 120 AC/15A DOMESTIC	1
18B	144161GT	PLUG,PWR,UK,16AMP,3PIN,BLK	1
18C	25388GT	PLUG,FUSED,250V,13AMP,U.K.**	1
19	43956GT	WIRE CABLE,14/3 CON.TPE JKT*	
20	7056GT	CONN,SQUEEZE,1/2NPT .38-.50,SM	1
21	6935GT	LOCKNUT,ELEC,1/2"	1

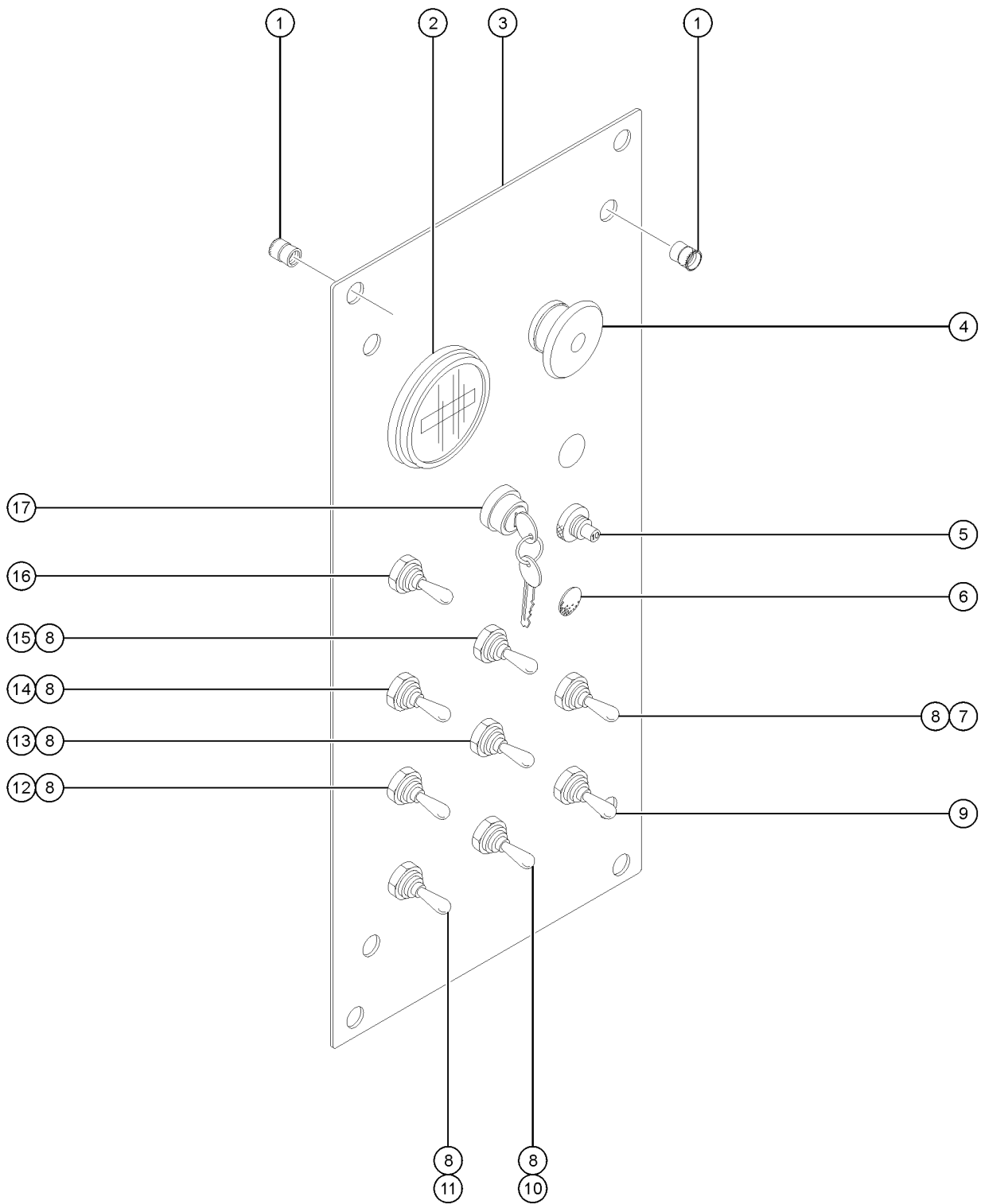


304.1 Turntable Covers



Item	Part No.	Description	Qty.
22	106215GT	CVR ASSY.W/WORD DEC,GC,34N/DC* ANSI; includes items 16, 23-26	1
22B	106216GT	COVER ASSY,W/SYM DEC,GC,34DC** CE; includes items 16, 23-26	1
23	36575GT	LATCH,ADJUSTABLE DRAW	1
24	824215GT	SCREW,PHPM,10-32X.75,ZAG	2
25	824032GT	NUT,TL FLG,10-32,F,ZAG	2
26	36574GT	SPRING,EXTENSION,.36 X 1.25	1
27	45462GT	ALARM,CHIME TONE 5-25VDC*** descent alarm, plastic nut not included	1
27-	45385GT	PLUG,NYLON 1.12 BLACK DOMED	
27-	72326GT	NUT,PLASTIC,RING FOR ALARMS	
28	18963GT	ALARM,INTERMITTENT TONE 6-30V* plastic nut not included	1
28-	72326GT	NUT,PLASTIC,RING FOR ALARMS	
29	36924PGT	WELD,COVER BRACE,LH HINGE,PNTD US part number	1
29B	1282096GT	WELD,COVER BRACE,LH HINGE,PNTD, METRIC China part number	1
30	36449GT	COUNTERWEIGHT,CAST,3700 LBS. Z-34N	1
31	1255758GT	WASHER,FLAT,3/8,USS,ZAG	4

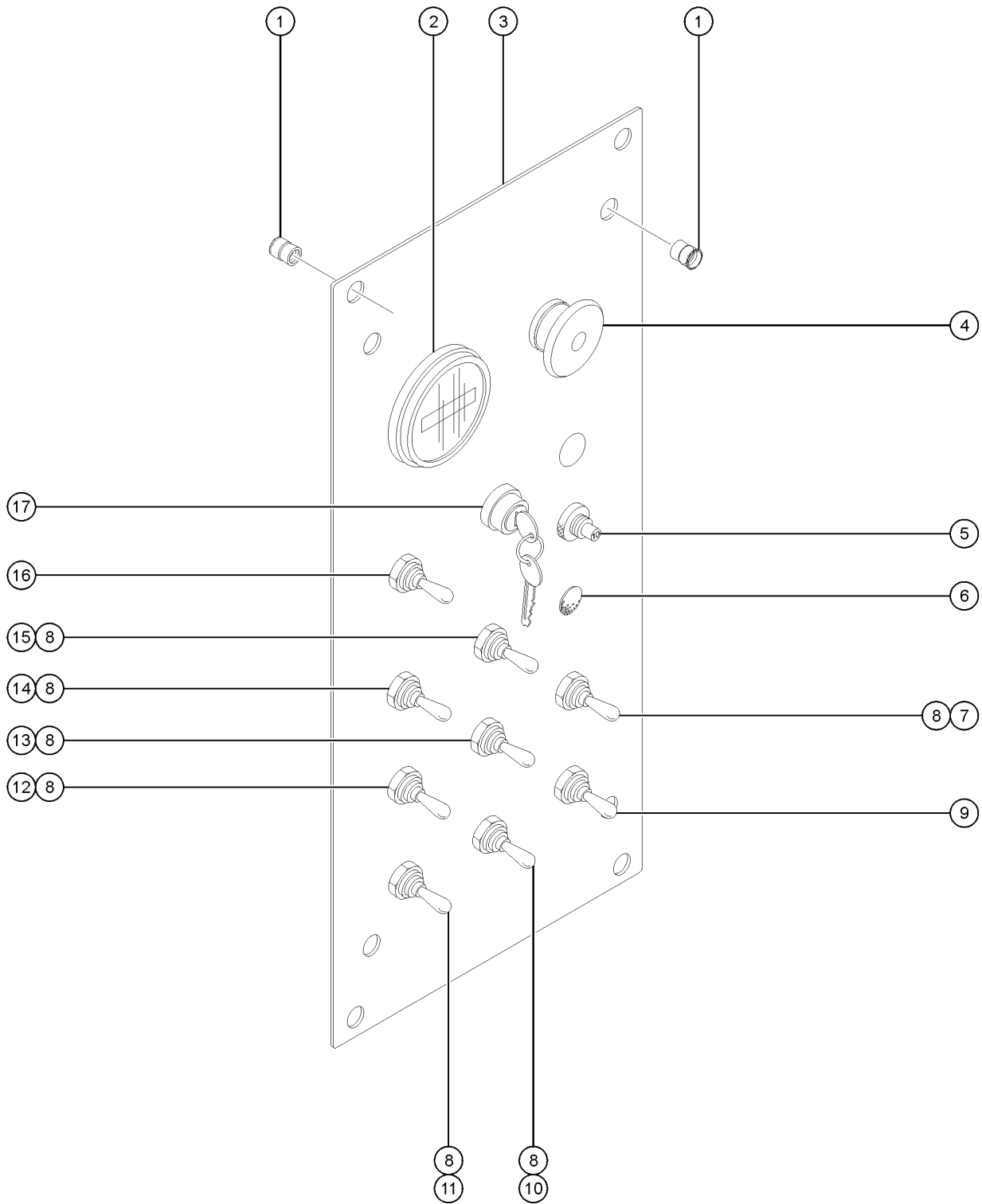
305.1 Ground Control Panel



Item	Part No.	Description	Qty.
A-	45782GT	DIODE,6 AMP,200 PIV,BULK	
B-	37947GT	KEYS,10 PACK*** includes PN 21982	
1	23404GT	NUTSERT,1/4-20,STEEL CAD PLTD	8
2	19506GT	HOUR METER, 10-80 VOLTS***	1
3	101965GT	GROUND CONTROL PANEL ASSY	
		includes item 1	
3-	94512GT	PANEL,GROUND CONTROL BOX***	
		US part number	
3-	1281264GT	PANEL,GROUND CONTROL BOX, METRIC	
		China part number	
4	66812GT	BUTTON,PUSH,RED MUSHROOM HEAD	1
4-	66817GT	BASE WITH 1 NC CONTACT, E-STOP	
4-	66818GT	CONTACT,NC	
4-	66821GT	BASE,WITHOUT CONTACTS	
5	147093GT	ASSY, CIRCUIT BREAKER 10A	1
6	229567GT	PLUG,SANTOPRENE .5 BLACK DOME	1
7	128202GT	SWITCH TOGGLE ASSY DPDT 3P MOM	1
		jib boom up/down	
8	19268GT	DIODE ASSEMBLY	7
9	128200GT	SWITCH TOGGLE ASSY SPDT 3P MOM	1
		function enable switch	
10	128202GT	SWITCH TOGGLE ASSY DPDT 3P MOM	1
		secondary boom up/down	
11	128202GT	SWITCH TOGGLE ASSY DPDT 3P MOM	1
		turntable rotate	
12	128202GT	SWITCH TOGGLE ASSY DPDT 3P MOM	1
		platform rotate	
13	128202GT	SWITCH TOGGLE ASSY DPDT 3P MOM	1
		primary boom up/down	
14	128202GT	SWITCH TOGGLE ASSY DPDT 3P MOM	1
		platform level	
15	128202GT	SWITCH TOGGLE ASSY DPDT 3P MOM	1
		primary boom extend/retract	
16	128203GT	SWITCH TOGGLE ASSY SPDT 2P MOM	1
		aux. power switch; refer to 602.1 for CE switch covers	
17	96008-SGT	KEYSWITCH,3 POS. W/KEYS***	1
17-	85239GT	NUT,RETAINER (96008)	
17-	88827GT	GASKET,KEYSWITCH,PLASTIC***	
17-	824218GT	SCREW,PHPM SEMS ET,8-32X.25,ZA	
17-	21982GT	KEY,SINGLE***	1
		without rubber boot	

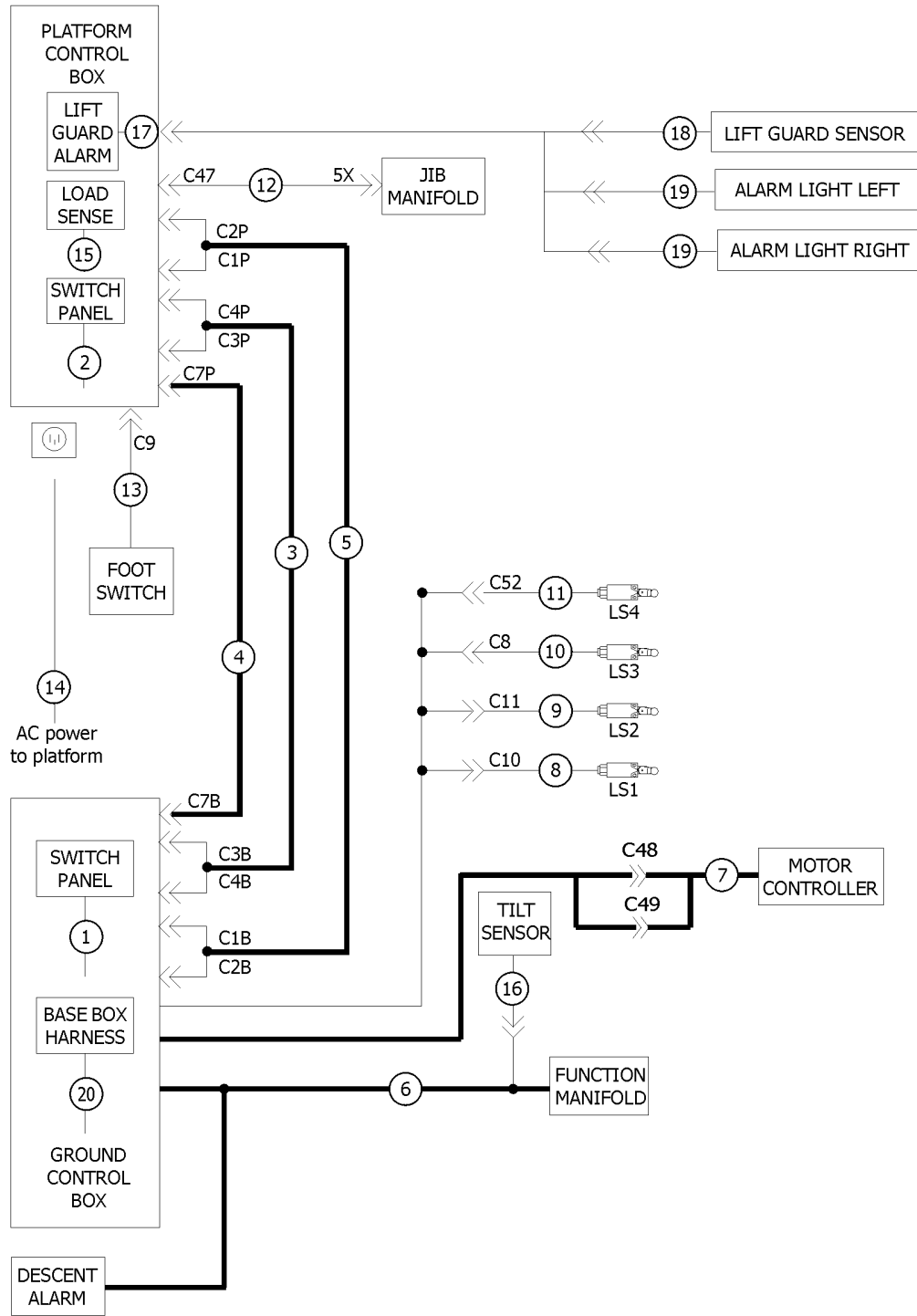


305.1 Ground Control Panel



<i>Item</i>	<i>Part No.</i>	<i>Description</i>	<i>Qty.</i>
17-	83093GT	KEY SINGLE*** with rubber boot	

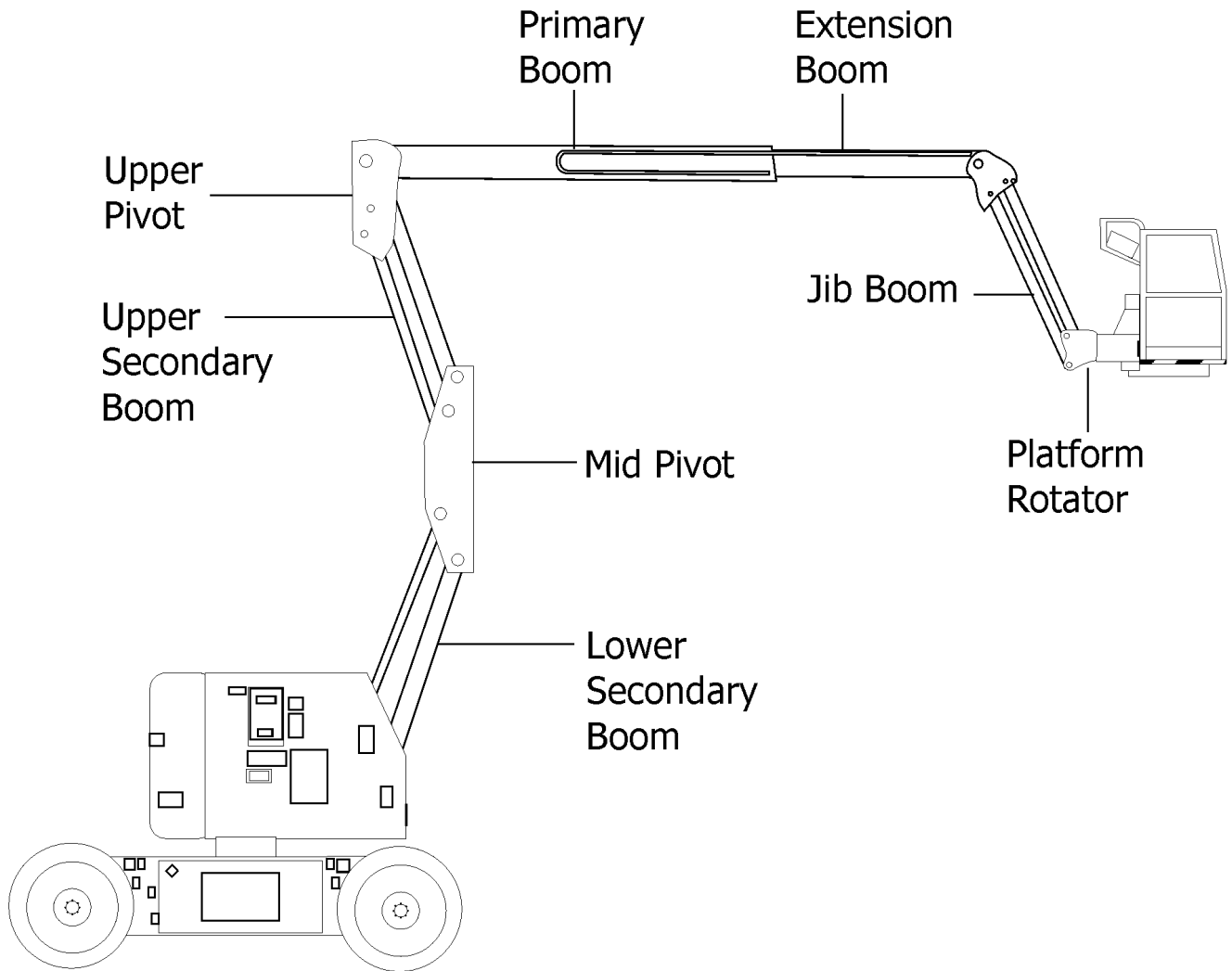
306.1 Wire Harness Diagram



Item	Part No.	Description	Qty.
B	1264822GT	KIT, TRC RETROFIT, STNDRD Telematics (includes 1264834)	
B-	1264834GT	INSTRN, TRC RETROFIT, STNDRD	
C-	88832GT	HARNESS,PLUG,NON-LOAD WEIGHING	
1	110242GT	HARNESS, GBOX WIRE JUMPER	1
2	237503GT	HARNESS,PLAT BOX,Z30/34DC (to SN Z34D-1899)	
2B	1260928GT	HARNESS,BASE BOX, RELAY, CE (from SN Z34D-1900)	
3	110240GT	HARNESS CABLE1 18/19 COND. green & brown connectors	1
4	110233GT	HARNESS CABLE2 12/3 COND.	1
5	110236GT	HARNESS CABLE3 18/19 COND. gray & black connectors	1
6	110249GT	HARNESS,FUNC. MAN.,Z30/34DC	1
7	822704GT	HARNESS, DRIVE CHASSIS, DC	1
8	110244GT	HARNESS LS1 OP EXT/RET	1
9	110245GT	HARNESS LS2 OP PRIMARY	1
10	110232GT	HARNESS LS3 OP DRIVE ENABLE	1
11	110246GT	HARNESS LS4 OP SECONDARY	1
12	139584GT	HARNESS,JIB MANIFOLD,NON RJ	1
13	227620GT	ASSEMBLY,FOOT SWITCH	1
14	43956GT	WIRE CABLE,14/3 CON.TPE JKT*	600
15	147389GT	HARNESS, LOAD SENSE, Z30/34DC CE models	1
15B	218602GT	HARNESS,LOAD SENSE RECOVERY AUS models	1
16	1261845GT	HARNESS,TILT 24V,CSA PROD	1
17	1278450GT	HARNESS, CONTACT ALARM, Z30/34DC models with Lift Guard Contact Alarm Option	
18	1278119GT	ASSEMBLY, SENSOR, PROX, CONTACT ALARM	
19	1278111GT	ASSEMBLY, LIGHT, CONTACT ALARM	
19B	1285850GT	ASSEMBLY,AMBER LIGHTS,CONTACT	
20B	1292312GT	HARNESS,GBOX,CE Z30/34DC CE models	1



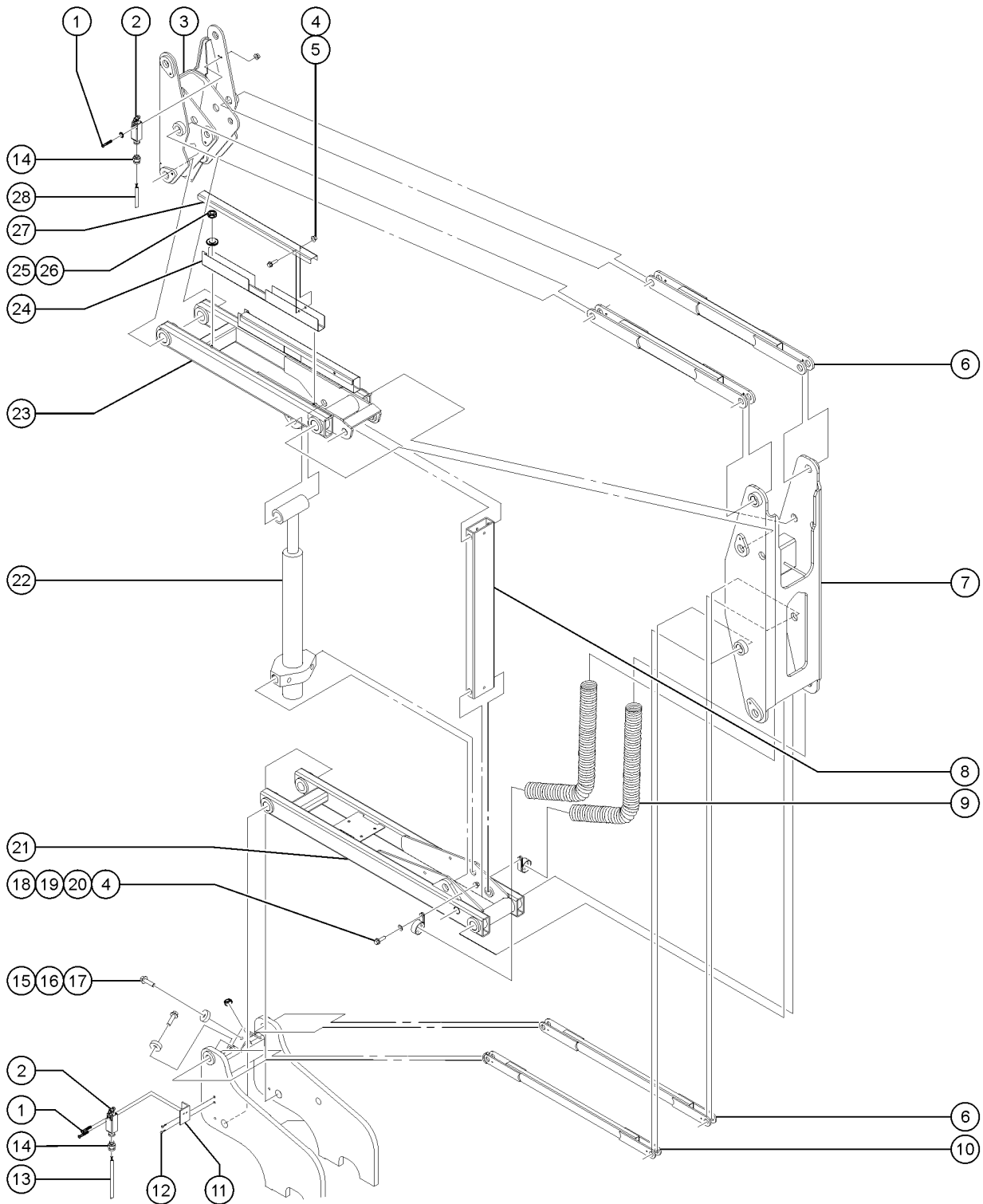
500.1 Boom Layout



<i>Item</i>	<i>Part No.</i>	<i>Description</i>	<i>Qty.</i>
1		Extension Boom refer to 504.1	
2		Jib Boom refer to 506.1	
3		Lower Secondary Boom refer to 501.1 and 502.1	
4		Mid Pivot refer to 501.1 and 502.1	
5		Platform Rotator refer to 506.1	
6		Primary Boom refer to 504.1	
7		Upper Pivot refer to 501.1, 502.1 and 503.1	
8		Upper Secondary Boom refer to 501.1 and 502.1	



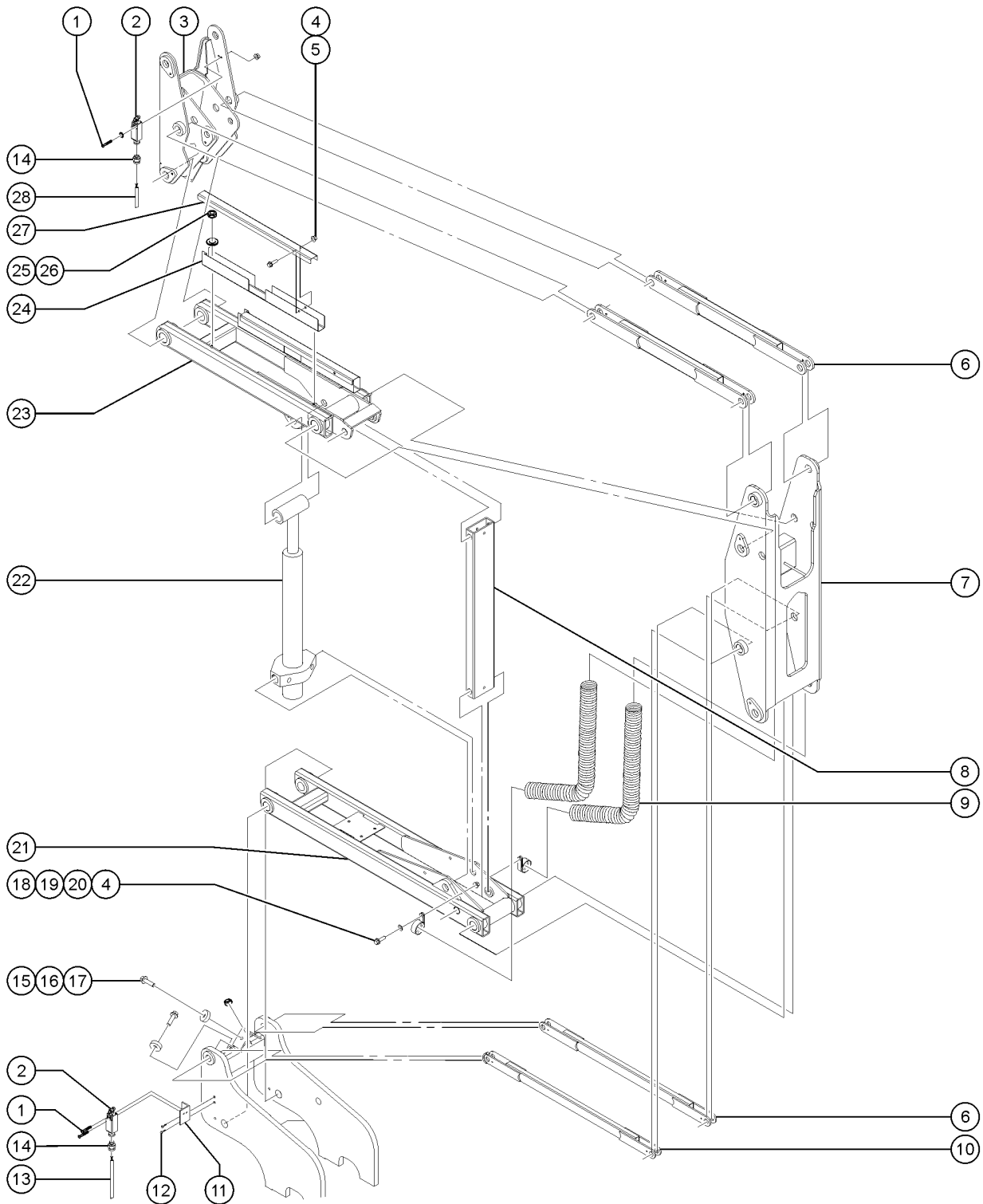
501.1 Secondary Boom, View 1



Item	Part No.	Description	Qty.
1	824219GT	SCREW,PHPM SEMS ET,8-32X1.25,Z to SN Z3416F-10742, Z34N16F-12569	2
1B	1257390GT	WASHER,FLAT,#8,SAE,ZAG from SN Z3416F-10743, Z34N16F-12570	2
1C	1261606GT	SCREW,PHPM,8-32X1.75,ZAG from SN Z3416F-10743, Z34N16F-12570	2
1D	1255803GT	NUT,TL FLG,8-32,F,ZAG from SN Z3416F-10743, Z34N16F-12570	
2	88356-116R3GT	SWITCH,LIMIT,W/ROLLER ARM***	2
2-	106427GT	LS ROT.HEAD W/O LEVER (ZCE01)	
2-	97128GT	ROLLER ARM,LIMIT SWITCH***	
3		Ref. UPPER MIDPIVOT ASSY,Z34 & Z34N refer to 502.1	1
4	1277924GT	NUT,NYLOCK FLG,1/4-20,F,ZAG	4
5	824084GT	SCREW, HHF, 1/4-20 X 3, 8, ZAG	2
6	74946GT	COMPRESSION ARM WELDMENT 56.50 US part number	3
6B	1282100GT	COMPRESSION ARM WELDMENT, METRIC China part number	3
7	40446GT	LOWER MIDPIVOT ASSY,Z34 &Z34N* refer to 502.1	1
8	74232GT	CONNECTING LINK Z30N & Z34*** US part number	1
8B	1282063GT	CONNECTING LINK Z30N & Z34***, METRIC China part number	1
9	42939GT	WIRE LOOM,1.88 DIA.	65
10	128635GT	WELDMENT, LWR COMPRESION ARM US part number	1
10B	1282089GT	WELDMENT, LWR COMPRESION ARM, METRIC China part number	1
11	42413GT	ANGLE,SWITCH MOUNT*** US part number	1
11B	1281284GT	ANGLE,SWITCH MOUNT***, METRIC China part number	1
12	824078GT	SCREW,HHF,1/4-20X.75,8,ZAG	2
13	43960GT	WIRE CABLE,16/4 CON.TPE JKT	220
14	7056GT	CONN,SQUEEZE,1/2NPT .38-.50,SM	2
15	824091GT	SCREW, HHF, 3/8-16 X 1.25, 8, ZAG	2
16	74085GT	REST PAD,UPPER PIVOT Z30N	2
17	824029GT	NUT, TL FLG, 3/8-16, G, ZAG	2
18	824079GT	SCREW,HHF,1/4-20X1,8,ZAG	2
19	824113GT	WASHER,FLAT,USS,1/4,ZAG	2



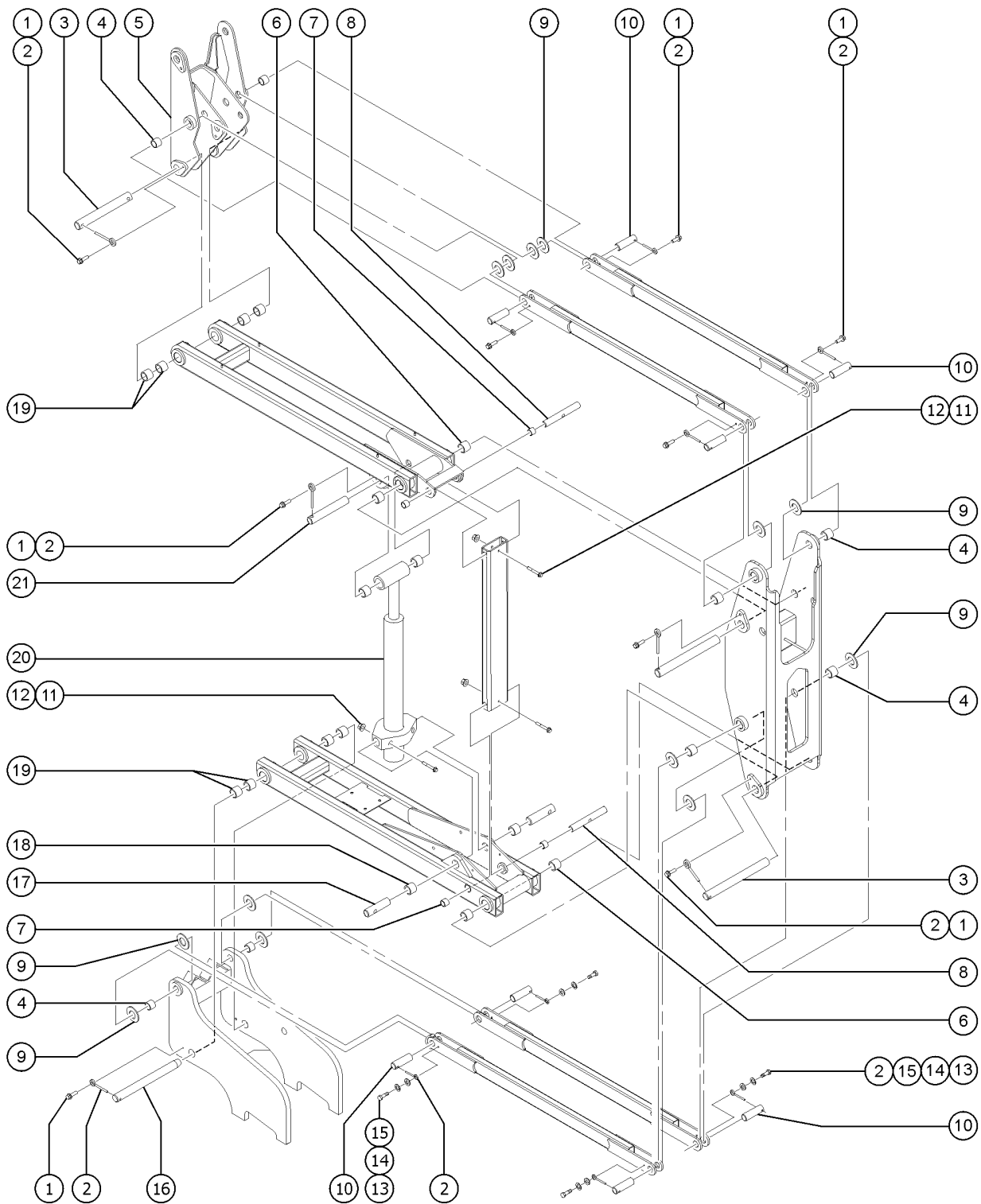
501.1 Secondary Boom, View 1



<i>Item</i>	<i>Part No.</i>	<i>Description</i>	<i>Qty.</i>
20	1288080GT	CLAMP,RUBBER CUSHIONED-2 5/32	2
21	40449GT	LOWER SECONDARY ARM ASSY,Z34	1
22	94210GT	CYLINDER,ELEVATE, Z34	1
22-	47377GT	BEARING,1.25 ID X 1.5 OD X .75	2
22-	31106GT	VALVE,CNTERBAL,CBBB-LHN@3000**	
22-	94253GT	SEAL KIT, 94210	
23	74379GT	UPPER SECONDARY ARM ASSY,Z34	1
24	42612-SGT	HOSE TRACK,UPPER ARM-SERV	2
25	824029GT	NUT, TL FLG, 3/8-16, G, ZAG	4
26	824040GT	NUT, ACORN, 3/8-16, ZAG	4
27	42613-SGT	HOSETRACK COVER,UPPER ARM-SERV	2
28	56051GT	WIRE CABLE,16/2,WHT/BLK,SJEOW	38



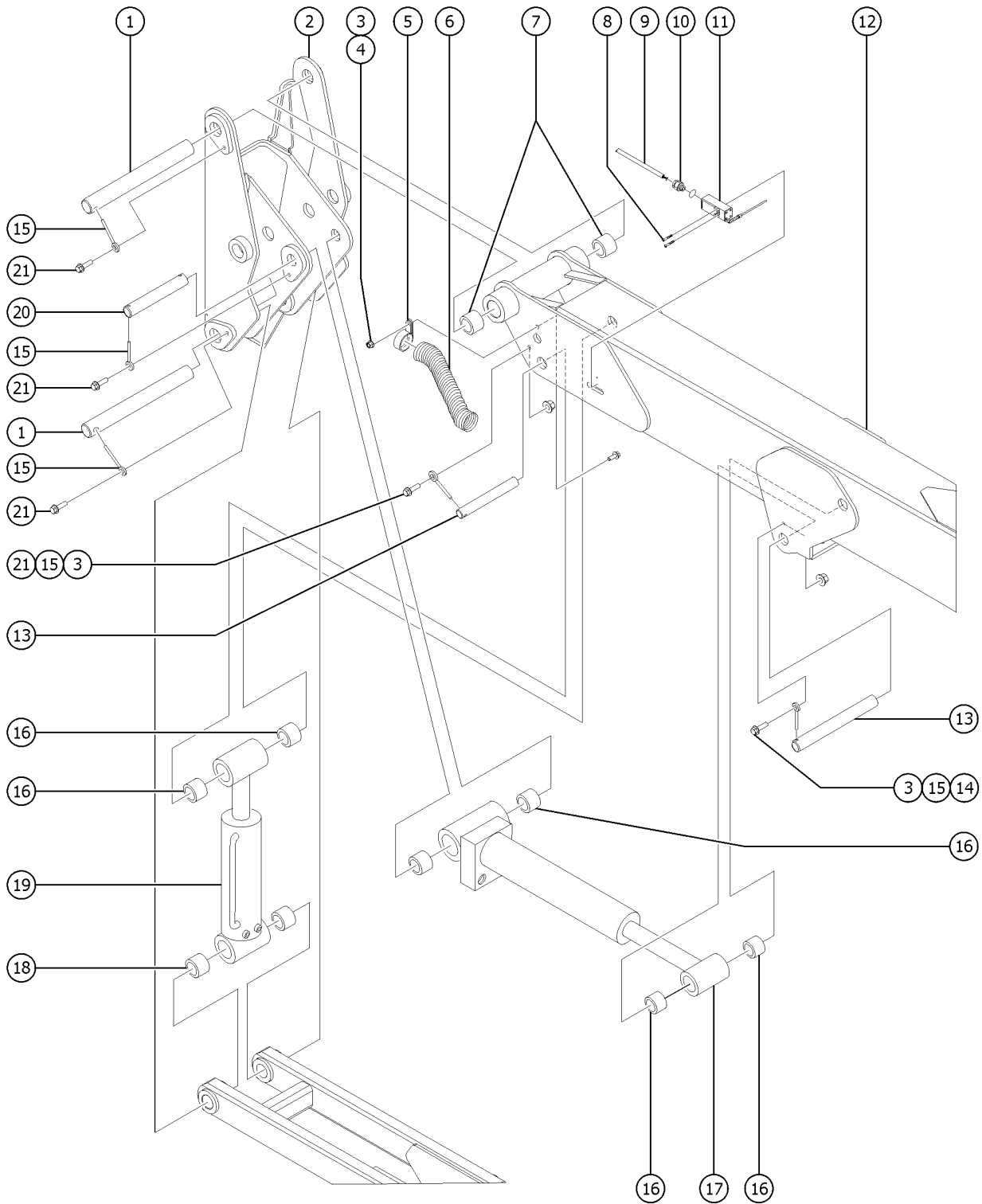
502.1 Secondary Boom, View 2



Item	Part No.	Description	Qty.
1	824091GT	SCREW, HHF, 3/8-16 X 1.25, 8, ZAG	8
2	825019GT	ROD END, .375X3.69, ZAG	12
3	36194GT	PIN,1.50DIAX15.13LG,1HOLE	3
4	34245GT	BEARING,1.25IDX1.50X1.25L	8
5	40447GT	UPPER MIDPIVOT ASSY,Z34 & Z34N includes item 4	1
6	45071GT	BEARING,1.5IDX1.75ODX1.5L	4
7	36245GT	BEARING,FL,1.00IDX1.25ODX0.84L	4
8	36202GT	PIN,1.00DIAX7.25LG,1HOLE	2
9	824151GT	WASHER,SHIM,1.270X2.130X.062,Z	12
10	36390GT	PIN,1.25DIAX3.63LG,THREADED	8
11	824094GT	SCREW, HHF, 3/8-16 X 2.75, 8, ZAG	4
12	824029GT	NUT, TL FLG, 3/8-16, G, ZAG	4
13	824067GT	SCREW, HHC, 3/8-16 X 1, 8, ZAG	4
14	824110GT	WASHER, LOCK, 3/8, ZAG	4
15	825358GT	WASHER,FLAT,5/16,USS,ZAG	4
16	36389GT	PIN,1.50DIAX16.13LG,1HOLE	1
17	36205GT	PIN,1.25DIAX3.00LG,THREADED	2
18	36246GT	BEARING,FL,1.25IDX1.50ODX1.09L	2
19	18396GT	BEARING,1.5IDX1.75ODX1.0L	8
20		Ref. CYLINDER,ELEVATE, Z34 refer to 501.1	
21	36200GT	PIN,1.25DIAX9.38LG,1HOLE	1



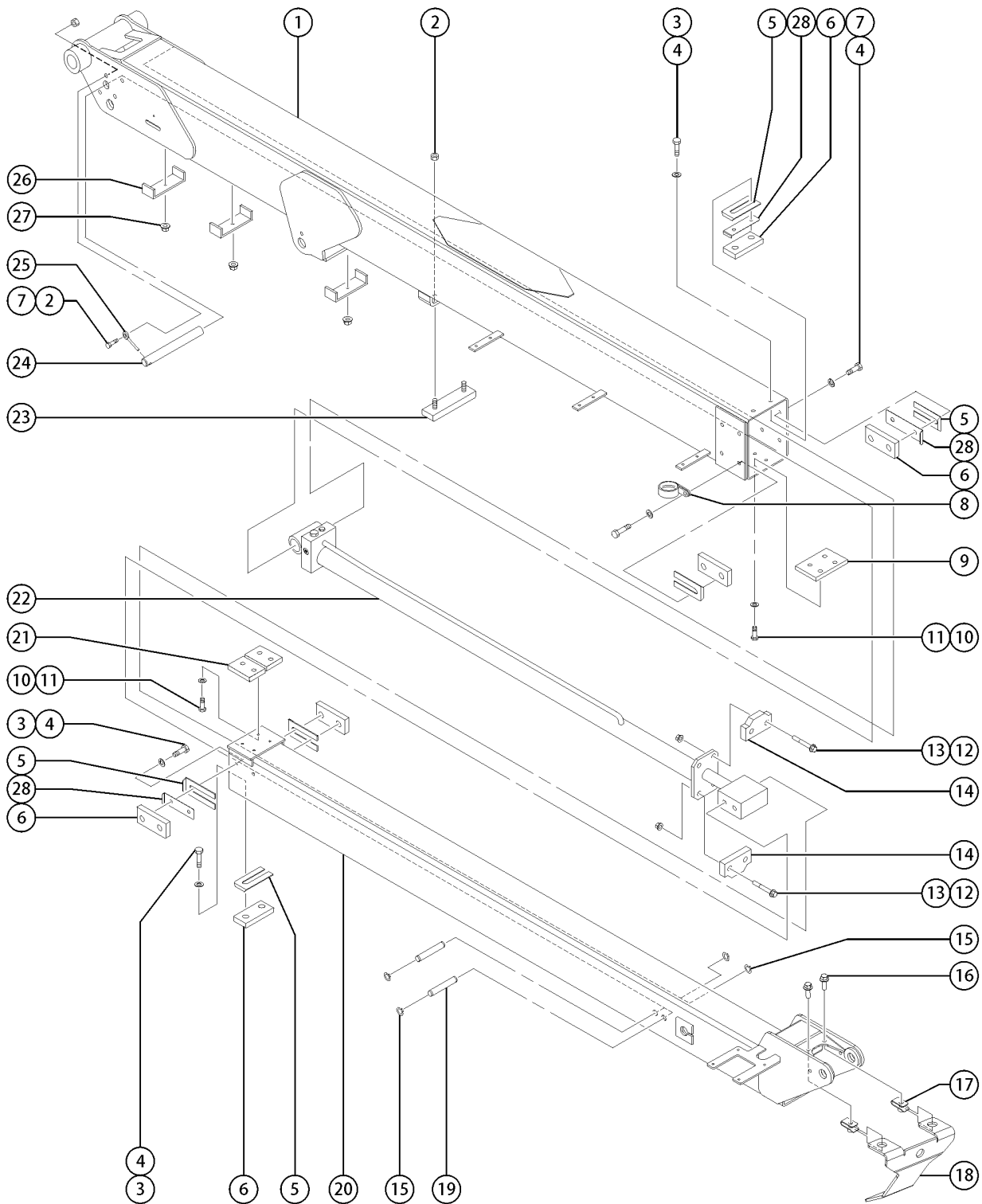
503.1 Upper Pivot



Item	Part No.	Description	Qty.
1	36194GT	PIN,1.50DIAX15.13LG,1HOLE	2
2	40447GT	UPPER MIDPIVOT ASSY,Z34 & Z34N	1
2-	34245GT	BEARING,1.25IDX1.50X1.25L	
3	824029GT	NUT, TL FLG, 3/8-16, G, ZAG	3
4	1264315GT	BOLT,HEX TAP,3/8-16X2.25,8,ZAG	1
5	1288080GT	CLAMP,RUBBER CUSHIONED-2 5/32	1
6	42939GT	WIRE LOOM,1.88 DIA.	24
6-	28443GT	CABLE TIE,11.5" BLACK	
7	45071GT	BEARING,1.5IDX1.75ODX1.5L	2
8	824219GT	SCREW,PHPM SEMS ET,8-32X1.25,Z	2
9	44133GT	WIRE CABLE,16/4 CON.TPE JKT*	264
10	7056GT	CONN,SQUEEZE,1/2NPT .38-.50,SM	1
11	88356-127J5GT	SWITCH,LIMIT,W/6.25"SPRING ARM	1
11-	106433GT	LS SPRING WAND (ZCY91)	
12		Ref. Primary Boom Tube Assembly	
		refer to 504.1	
13	74091GT	PIN,1.25DIAX9.13LG,1HOLE	2
14	824093GT	SCREW, HHF, 3/8-16 X 1.75, 8, ZAG	1
15	825019GT	ROD END, .375X3.69, ZAG	5
16	47377GT	BEARING,1.25 ID X 1.5 OD X .75	6
17	94215GT	CYLINDER,PRIMARY LIFT	1
		includes 16	
17-	43937GT	VALVE,CB.CBBC-LHN@3200***	2
17-	94258GT	SEAL KIT, 94215, 94430	1
18	88280GT	BEARING,1.5IDX1.75ODX0.75L	2
19	94216GT	CYLINDER,MASTER	1
		includes 16 and 18	
19-	94259GT	SEAL KIT, 94216	1
20	36198GT	PIN,1.25DIAX8.12LG,1HOLE	1
21	824092GT	SCREW, HHF, 3/8-16 X 1.5, 8, ZAG	4



504.1 Primary and Extension Booms

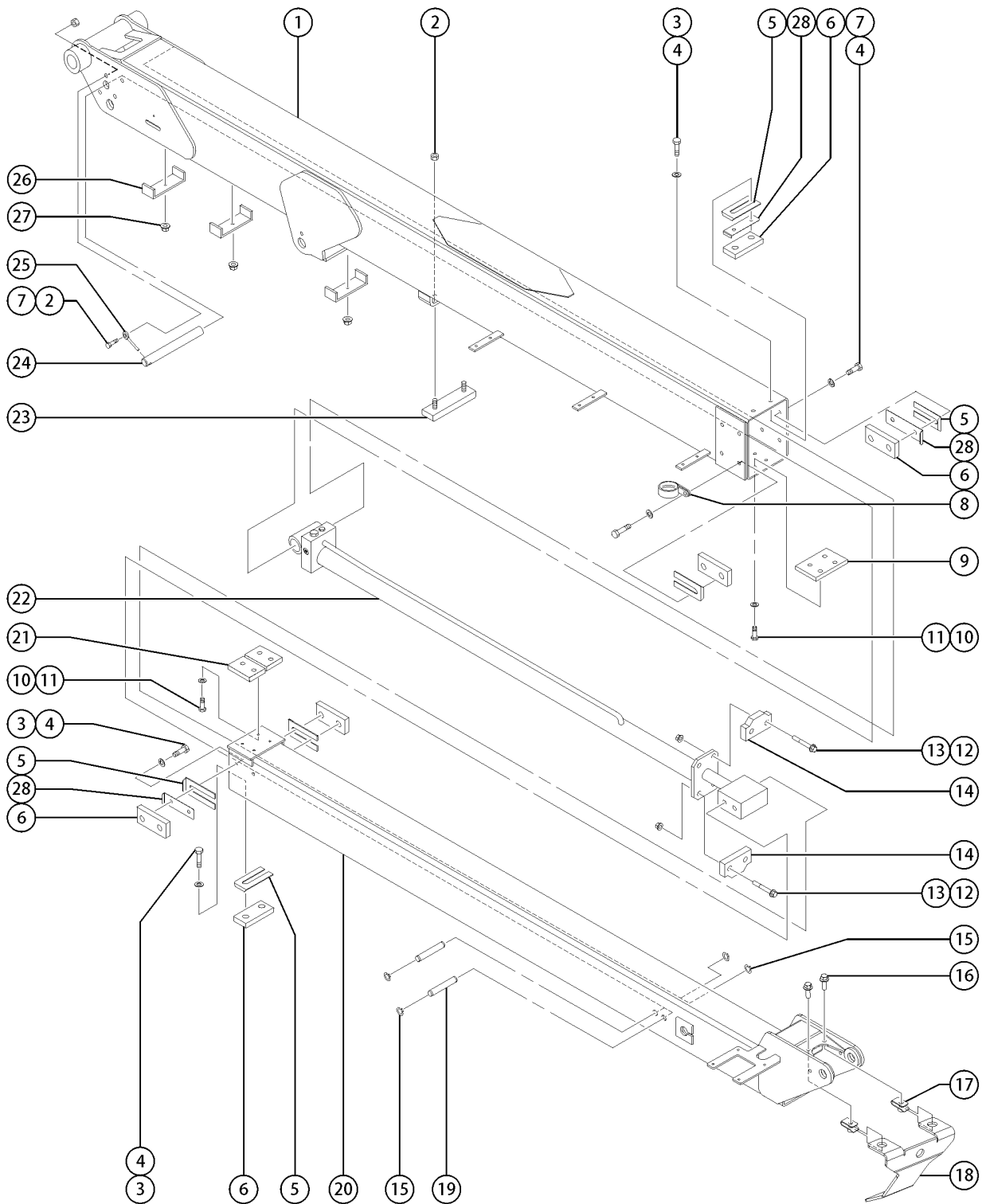


504.1 Primary and Extension Booms

Item	Part No.	Description	Qty.
1	77728GT	PRIMARY BOOM TUBE ASSY Z34IC**	1
1-	45071GT	BEARING,1.5IDX1.75ODX1.5L	2
2	824038GT	NUT, TL JAM, 3/8-16, A, ZAG	3
3	826791GT	SCREW,HHC,3/8-16X.875,8,ZAG	
4	826793GT	WASHER,FLAT,3/8,SAE,HRD,ZAG	16
5	42502GT	SHIM,SIDE PAD 22GA. (quantity as needed)	
5-	29080GT	SHIM,WEAR PAD,5X 1.5 16GA	
6	1262353GT	WEAR PAD, 5 X 1.5 X .72 W/NUTS	6
7	824067GT	SCREW, HHC, 3/8-16 X 1, 8, ZAG	
8	1288080GT	CLAMP,RUBBER CUSHIONED-2 5/32	1
9	1262354GT	WEAR PAD, 4 X 4 X .72 W/NUTS	1
10	1262432GT	SCREW,HHC,1/4-20X.875,8,ZAG	8
11	824113GT	WASHER,FLAT,USS,1/4,ZAG	8
12	824082GT	SCREW, HHF, 1/4-20 X 1.75, 8, ZAG	4
13	824029GT	NUT, TL FLG, 3/8-16, G, ZAG	5
14	74066GT	WEAR PAD,EXT CYL***	2
15	824163GT	SNAP RING, EXTERNAL, 3/4, ZAG	4
16	824079GT	SCREW,HHF,1/4-20X1,8,ZAG	2
17	56912GT	SPRING CLIP,1/4-20,.025-.15X.54,ZAG	2
18	147079GT	BRACKET, HOSE ROUTING	1
		US part number	
18A-	56361GT	CABLE TIE,BUTTON,BLACK,14.75LG	
18B	1281276GT	BRACKET, HOSE ROUTING, METRIC	1
		China part number	
19	36192GT	PIN,0.75DIAX5.51LG,2RING	2
20	147638GT	ASSY, EXT BOOM, Z34	1
20-	35675GT	BEARING,FL,1.25IDX1.5ODX1.25L	2
21	1262355GT	WEAR PAD, 4 X 2 X .45 W/NUTS	2
22	94212GT	CYLINDER,EXTENSION	1
22-	94255GT	SEAL KIT,94212	



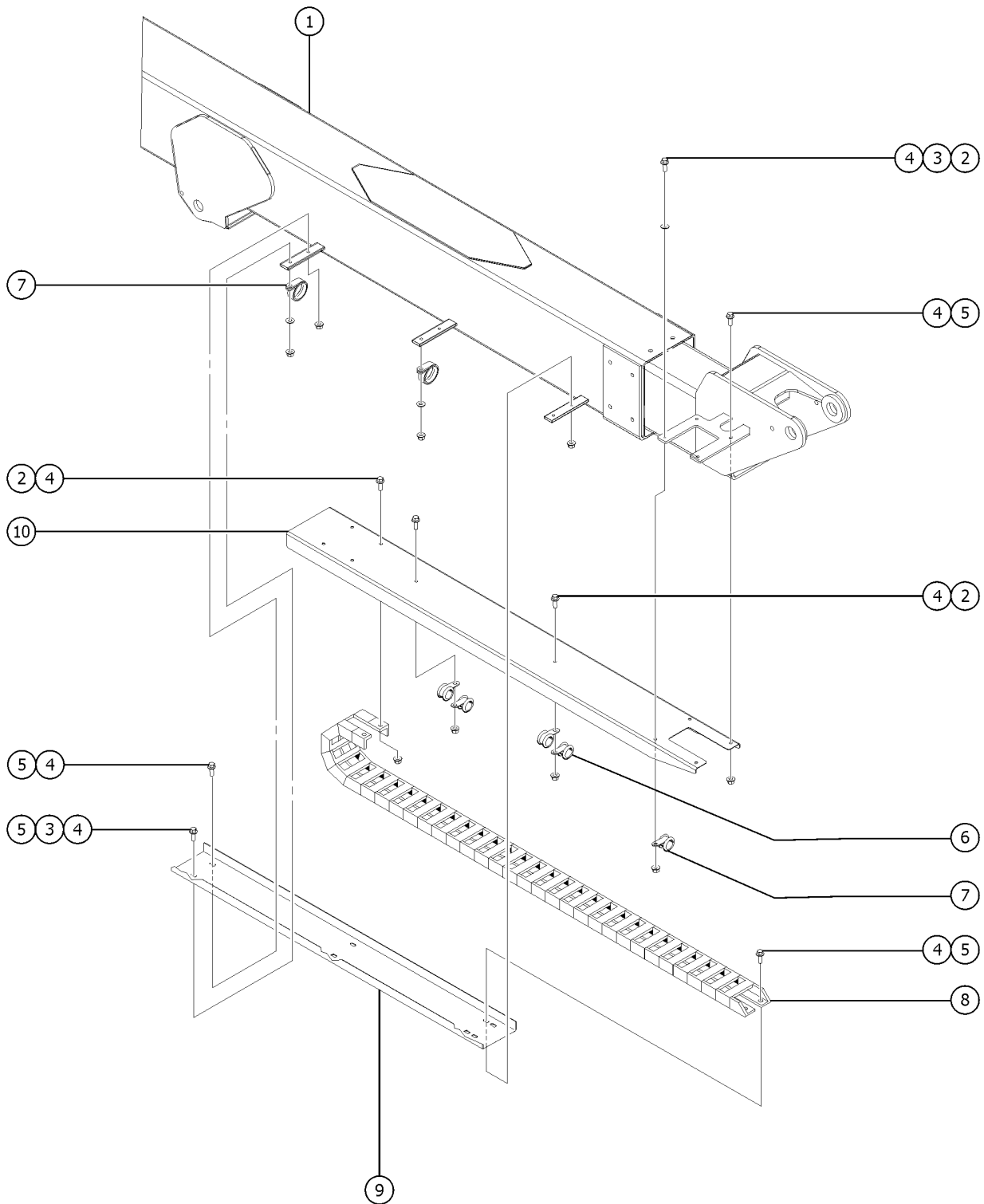
504.1 Primary and Extension Booms



504.1 Primary and Extension Booms

<i>Item</i>	<i>Part No.</i>	<i>Description</i>	<i>Qty.</i>
22-	36648GT	VALVE,COUNTERBALANCE 2500 PSI* top	
22-	74508GT	VALVE,CHECK,COBA-X*N 200PSI PO bottom	
22-	74509GT	VALVE,CHECK,CXAD-XCN,30PSI side	
23	56849GT	PAD,REST,1"THICK,W/STUDS*	1
23B	56934GT	PAD,REST,1"THICK,FLANGED CE models	
24	101557GT	PIN,1.00DIAX9.01LG,THREADED	1
25	825019GT	ROD END, .375X3.69, ZAG	1
26	54530GT	CLAMP,HOSE,ALUMINUM	4
27	824029GT	NUT, TL FLG, 3/8-16, G, ZAG to SN 14180	3
27B	1274322GT	NUT,NYLOCK FLG,3/8-16,F,ZAG from SN 14181	
28	1287821GT	SHIM,WEAR PAD,5X 1.5,14GA,HOLE as needed	

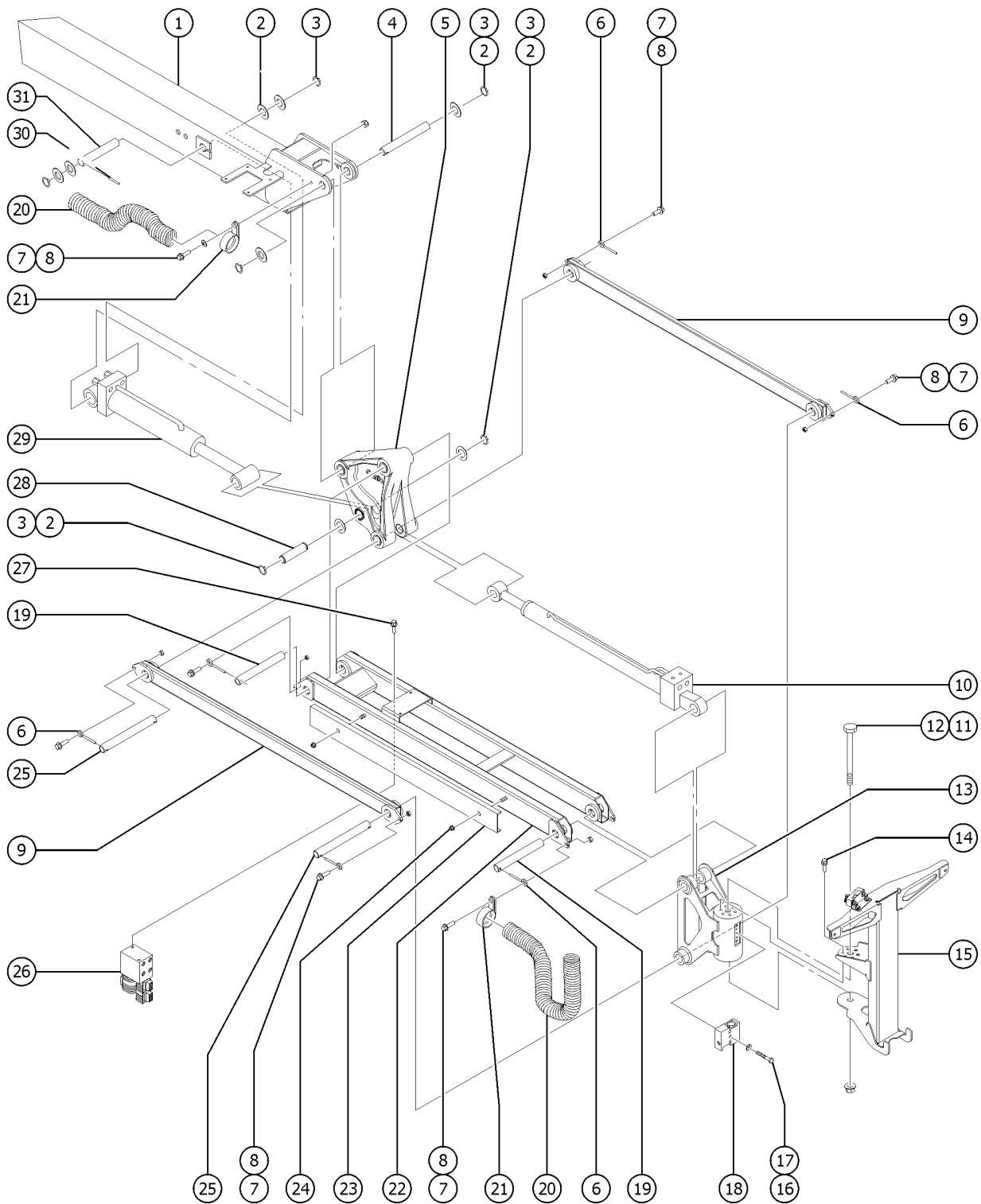
505.1 Cable Track



Item	Part No.	Description	Qty.
1		Ref. Primary and Extension Booms refer to 504.1	
2	824079GT	SCREW,HHF,1/4-20X1,8,ZAG	6
3	824113GT	WASHER,FLAT,USS,1/4,ZAG	3
4	1277924GT	NUT,NYLOCK FLG,1/4-20,F,ZAG	14
5	824078GT	SCREW,HHF,1/4-20X.75,8,ZAG	8
6	6833GT	CLAMP,0.50,#8 X 1/4,RUB CUSH	4
7	1288080GT	CLAMP,RUBBER CUSHIONED-2 5/32	3
8	139537GT	CABLE TRACK,NYLATRAC,26 LINK	1
8-	139540GT	REPAIR LINK,NYLATRAC,7 LINKS	
8-	139541GT	BRACKET SET,NYLATRAC,KS400	
8-	139542GT	LINK,NYLATRAC,KS400	
9	56983PGT	CHANNEL,LWR TRAY PLASTIC TK **	1
9-	27258GT	TRIM,RUBBER EDGE,5/8 (BY INCH)	
10	74119PGT	CHANNEL, CABLE TRACK, UPPER	1
		US part number	
10B	1281286GT	CHANNEL,UPPER TRACK, METRIC	1
		China part number	



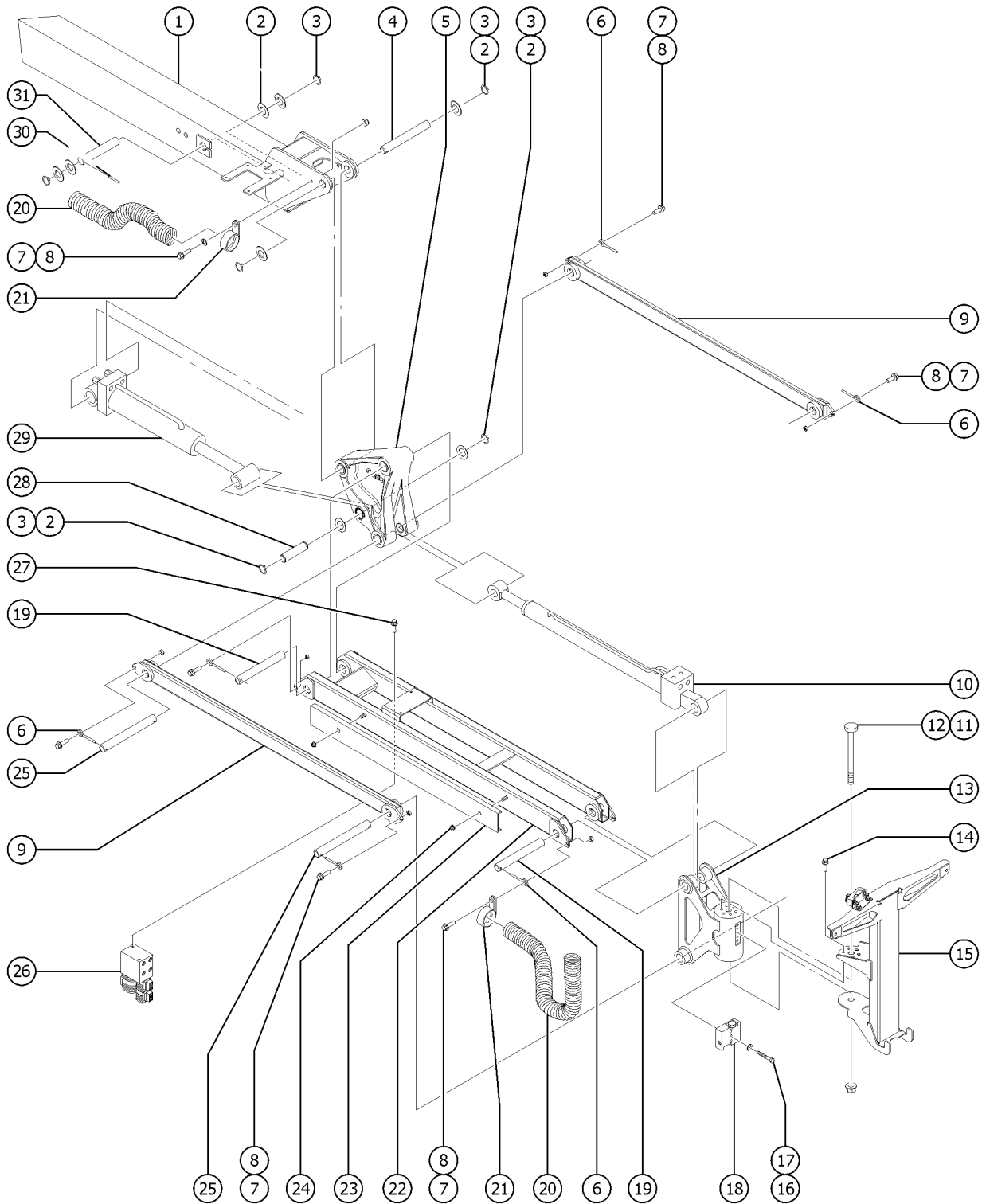
506.1 Jib Boom and Platform Rotator



Item	Part No.	Description	Qty.
1		Ref. EXTENSION BOOM refer to 504.1	
2	824151GT	WASHER,SHIM,1.270X2.130X.062,Z	8
3	824164GT	SNAP RING,EXTERNAL,1.25,ZAG	6
4	128550GT	PIN,1.25DIA X 7.64LG,2RING	1
5	74587GT	BELLCRANK ASSEMBLY, Z30N,Z34**	1
5-	74865GT	BEARING,FL,1.25IDX1.50ODX1.25L	6
5-	74866GT	BEARING,1.25IDX1.50ODX1.25L	2
6	825019GT	ROD END, .375X3.69, ZAG	6
7	824092GT	SCREW, HHF, 3/8-16 X 1.5, 8, ZAG	7
8	824025GT	NUT,TL,3/8-16,C,ZAG	6
9	36054-SGT	COMPRESSION MEMBER (BORED)*** US part number	2
9B	1282023GT	COMPRESSION MEMBER (BORED)***, METRIC China part number	2
10	94218GT	CYLINDER,JIB	1
10-	94261GT	SEAL KIT,94218	
10-	31106GT	VALVE,CNTERBAL,CBBB-LHN@3000** for 94218	
10-	47377GT	BEARING,1.25 ID X 1.5 OD X .75	
11	1273205GT	SCREW,HHC,3/4-10X9.5,8,ZAG	1
12	1256863GT	WASHER,FLAT,.75,F436,HRD,ZAG	1
12B	1274173GT	NUT,NYLOCK,3/4-10,C,ZAG	1
13	233717GT	ROTATOR,PLAT,Z30/34/Z40	1
13-	233745GT	SEAL AND BRG KIT,4.5K ROTATOR	
13-	30222GT	BEARING,FL,1.25IDX1.41ODX1.50L	
14	1256109GT	SCREW,HHC,3/8-16X.75,8,ZAG	6
14B	826793GT	WASHER,FLAT,3/8,SAE,HRD,ZAG	6
15	56500-SGT	WELDMENT,PLATFORM SUPPORT*** US part number	1
15B	1282086GT	WELDMENT,PLATFORM SUPPORT***, METRIC China part number	1
16	824062GT	SCREW,HHC,1/4-20X1.5,8,ZAG	3
17	824109GT	WASHER,LOCK,1/4,ZAG	3



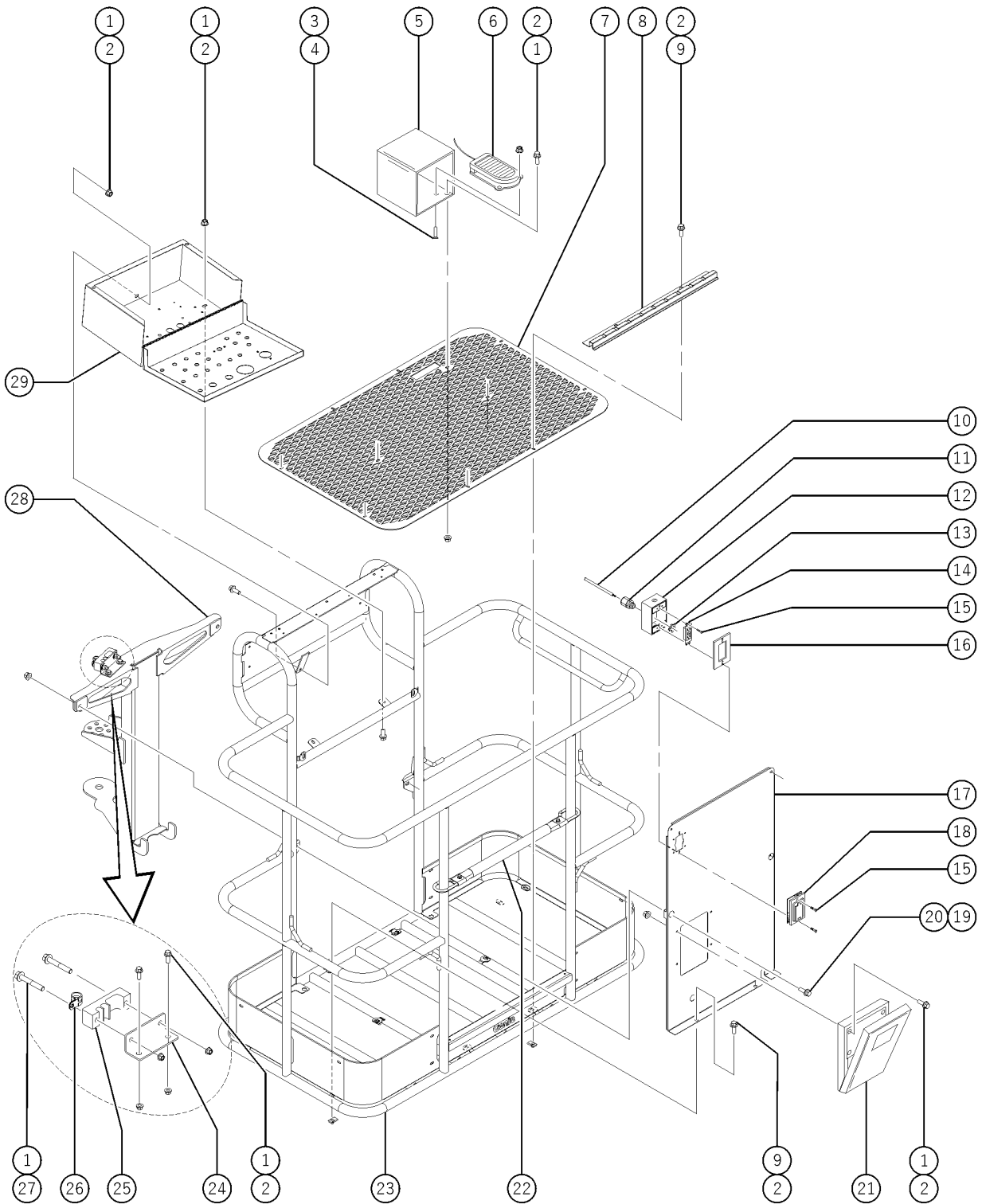
506.1 Jib Boom and Platform Rotator



Item	Part No.	Description	Qty.
18		Ref. Platform Rotator Manifold refer to 702.1	
19	36199GT	PIN,1.25DIA.X10.38LG,1HOLE	2
20	42939GT	WIRE LOOM,1.88 DIA.	41
21	1288080GT	CLAMP,RUBBER CUSHIONED-2 5/32	2
22	56976-SGT	JIB BOOM MACH*** US part number	1
22B	1282052GT	JIB BOOM MACH***, METRIC China part number	1
23	36561-SGT	HOSE COVER,JIB BOOM** US part number	1
23B	1281277GT	HOSE COVER,JIB BOOM**, METRIC China part number	1
24	824029GT	NUT, TL FLG, 3/8-16, G, ZAG	2
25	42797GT	PIN,1.25DIAX12.50LG,2HOLE	2
26		Ref. Jib Boom Manifold refer to 702.1	
27	824077GT	SCREW, HHF, 1/4-20 X .5, 8, ZAG	2
28	139655GT	PIN,SLAVE CYLINDER	1
29	94217GT	CYLINDER,SLAVE,DONGYANG	1
29-	94260GT	SEAL KIT, 94217	
29-	74735GT	VALVE,COUNTERBALANCE	2
29-	47377GT	BEARING,1.25 ID X 1.5 OD X .75 barrel end	2
29-	35088GT	BEARING,FL,1.25IDX1.41ODX.89L rod end	2
30	10665GT	PIN,ROLL,.25 X 1.5***	1
31	50546GT	PIN,1.25DIAX6.36LG,2RING	1



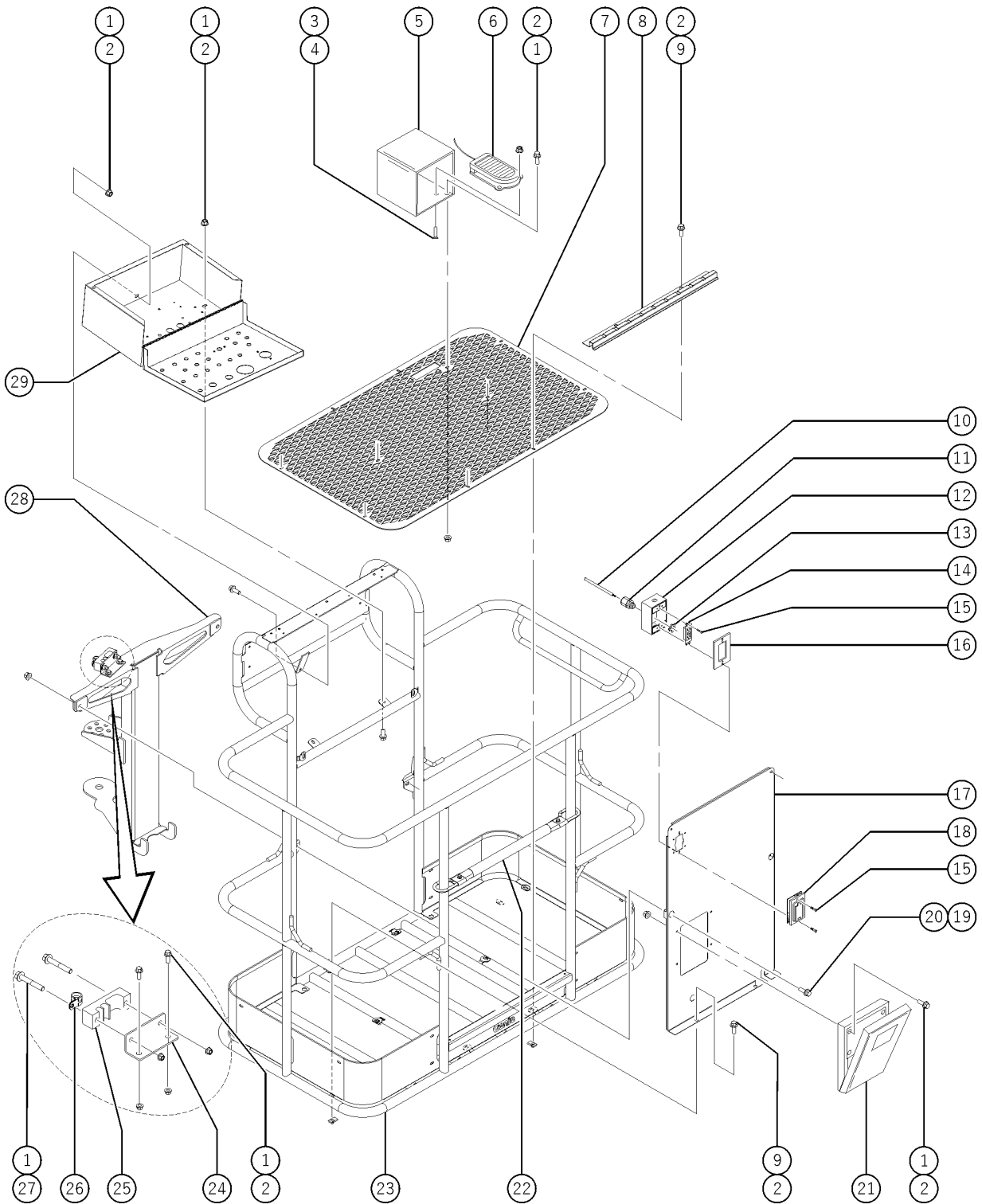
601.1 Platform



Item	Part No.	Description	Qty.
1	1277924GT	NUT,NYLOCK FLG,1/4-20,F,ZAG	12
2	824078GT	SCREW,HHF,1/4-20X.75,8,ZAG	20
3	824225GT	SCREW,FHPM,10-32X.75,ZAG	4
4	824032GT	NUT,TL FLG,10-32,F,ZAG	4
5	32710GT	GUARD,FOOTSWITCH,W/DECAL STEEL	1
5-	30807P-SGT	FOOTSWITCH HOUSING,PAINTED	1
		without decal	
6	227620GT	ASSEMBLY,FOOT SWITCH	1
6-	119058GT	CONN PLUG 4 WAY ENDCAP DT	1
6-	227564GT	FOOT SWITCH,20A IP65	1
6-	33576GT	CONN,SQZ,BLK,1/2NPT,.38-.50,SM	1
		gray	
6-	73739GT	BOOT,PLUG 4 WAY	1
6-	43960GT	WIRE CABLE,16/4 CON.TPE JKT	60
7	56465PGT	FLOORING,PLATFORM 46X30,PAINT	1
		US part number	
7B	1281331GT	FLOORING,PLATFORM, 46X30,METRIC	1
		China part number	
7C	56576PGT	FLOORING,PLATFORM,56X30,PNTD	1
		US part number	
7D	1281371GT	FLOORING,PLATFORM, 56X30, METRIC	1
		China part number	
8	56656GT	PLATFORM STEP ***	1
		US part number, (to SN Z34ND-1899)	
8B	1281329GT	PLATFORM STEP, METRIC	1
		China part number, (to SN Z34ND-1899)	
9	56912GT	SPRING CLIP,1/4-20,.025-.15X.54,ZAG	10
10	43956GT	WIRE CABLE,14/3 CON.TPE JKT*	600
11	7056GT	CONN,SQUEEZE,1/2NPT .38-.50,SM	1
12	10775GT	T-BOX,2.75 X 4.5 X 2.0	1
13	6935GT	LOCKNUT,ELEC,1/2"	1
14	13585GT	OUTLET,110V GFCI***	1
		includes mounting fasteners; North America (shown)	
14B	T112563GT	SVC KIT,UK RECEPT.REPLACEMENT	1
		British (not shown)	
14B-	T112560GT	RECEPTACLE,UK,110V	1
14B-	T112561GT	PLATE,UK,POWER TO PLAT	1
14B-	66355GT	GASKET, UK & DIN PWR. TO PLAT.	1



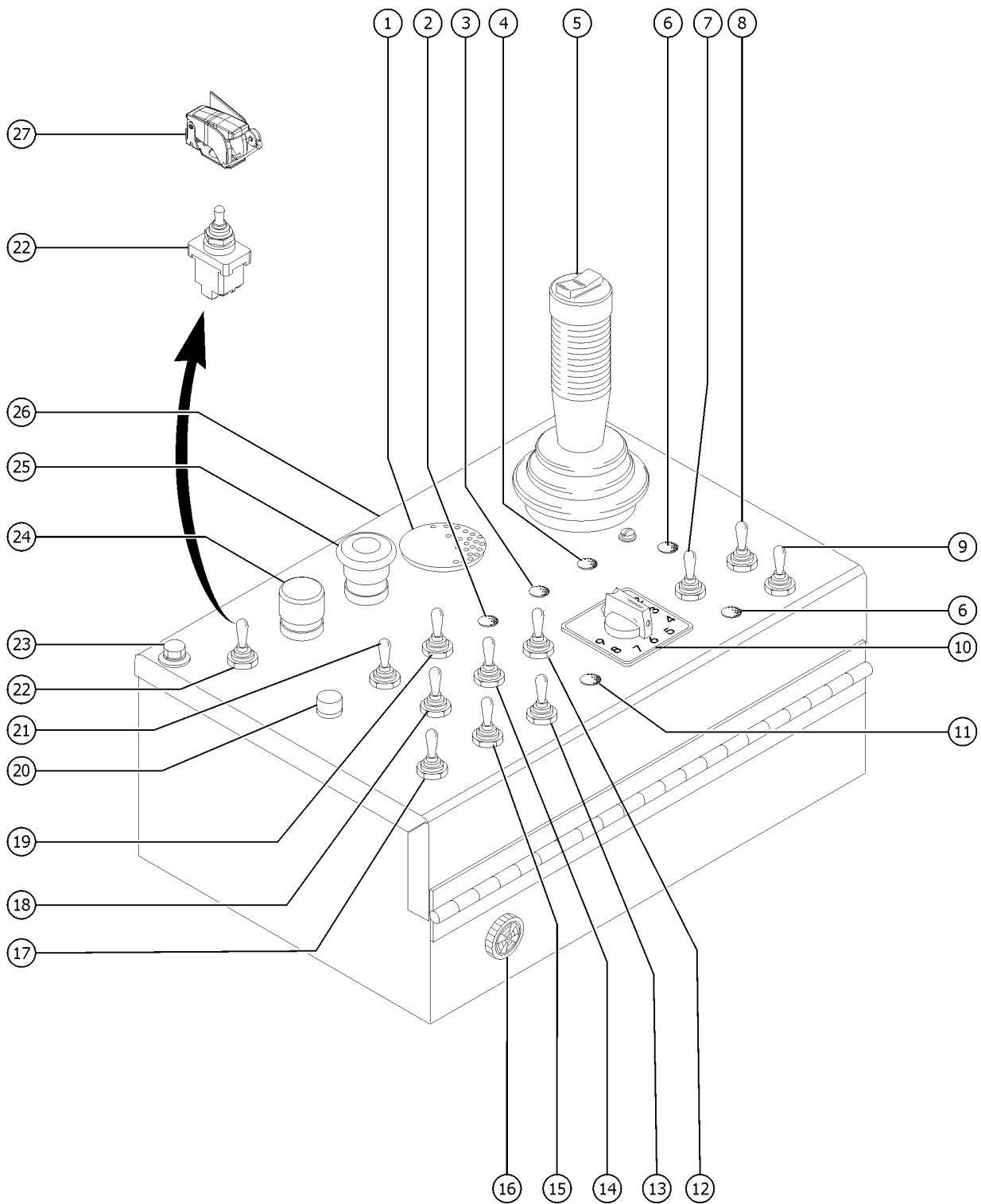
601.1 Platform



Item	Part No.	Description	Qty.
14B-	33759GT	SCREW,PHILLIPS,PHM,8-32 X.375	4
15	824214GT	SCREW,PHPM,6-32X.50,ZAG	4
16	74052GT	GASKET,COVER,GFCI,WEATHERPROOF	1
17	1274873GT	FORMING,DECAL PLATE	1
		US part number	
17B	1281271GT	FORMING,DECAL PLATE, METRIC	1
		China part number	
18	45437GT	COVER,GFCI,WEATHERPROOF	1
		includes mounting fasteners; North America (shown)	
18B	10777GT	COVER,BLANK	
19	824087GT	SCREW, HHF, 5/16-18 X 1.25, 8, ZAG	2
20	824028GT	NUT,TL FLG,5/16-18,G,ZAG	2
21	44743GT	MANUAL BOX W/DECALS***	1
		USA/Canada/Australia	
21B	24514GT	BOX,INSTRUCTION STORAGE	
		Europe/Asia/South America (decals required; refer to Section100)	
22	102992GT	SLIDING MIDRAIL KIT,PTD	1
22-	12443GT	MIDRAIL GUIDE (HOOK)	
22-	20973GT	WIRE LOOM,3/8 POLY SLIT	
22-	21121GT	CABLE TIE, 4" BLK, HEAT RESISTANT	
23	1282109GT	WELDMENT,PLATFORM 56X30	1
		(revision A to Z34ND-1899)	
23B	1298605GT	WELDMENT, PLATFORM, SWING GATE,5FT	1
		(swing gate option)	
24	128667GT	BRACKET, CABLE STRAIN RELIEF	
		US part number	
24B	1281272GT	BRACKET, CABLE STRAIN RELIEF, METRIC	1
		China part number	
25	128668GT	CLAMP,CABLE STRAIN RELIEF	1
26	128669GT	BACKING PLATE, PLATFORM CLAMP	1
		US part number	
26B	1281273GT	BACKING PLATE, PLATFORM CLAMP, METRIC	1
		China part number	
27	824081GT	SCREW, HHF, 1/4-20 X 1.5, 8, ZAG	2
28	56500-SGT	WELDMENT,PLATFORM SUPPORT***	1
		US part number, (to SN Z34D-1899)	
28B	1282086GT	WELDMENT,PLATFORM SUPPORT***, METRIC	1
		China part number, (to SN Z34D-1899)	
28C		Ref. Platform Support, Load Sense Option	1
		refer to 812.1	
29		Ref. Platform Control Box	1
		refer to 602.1 and 603.1	



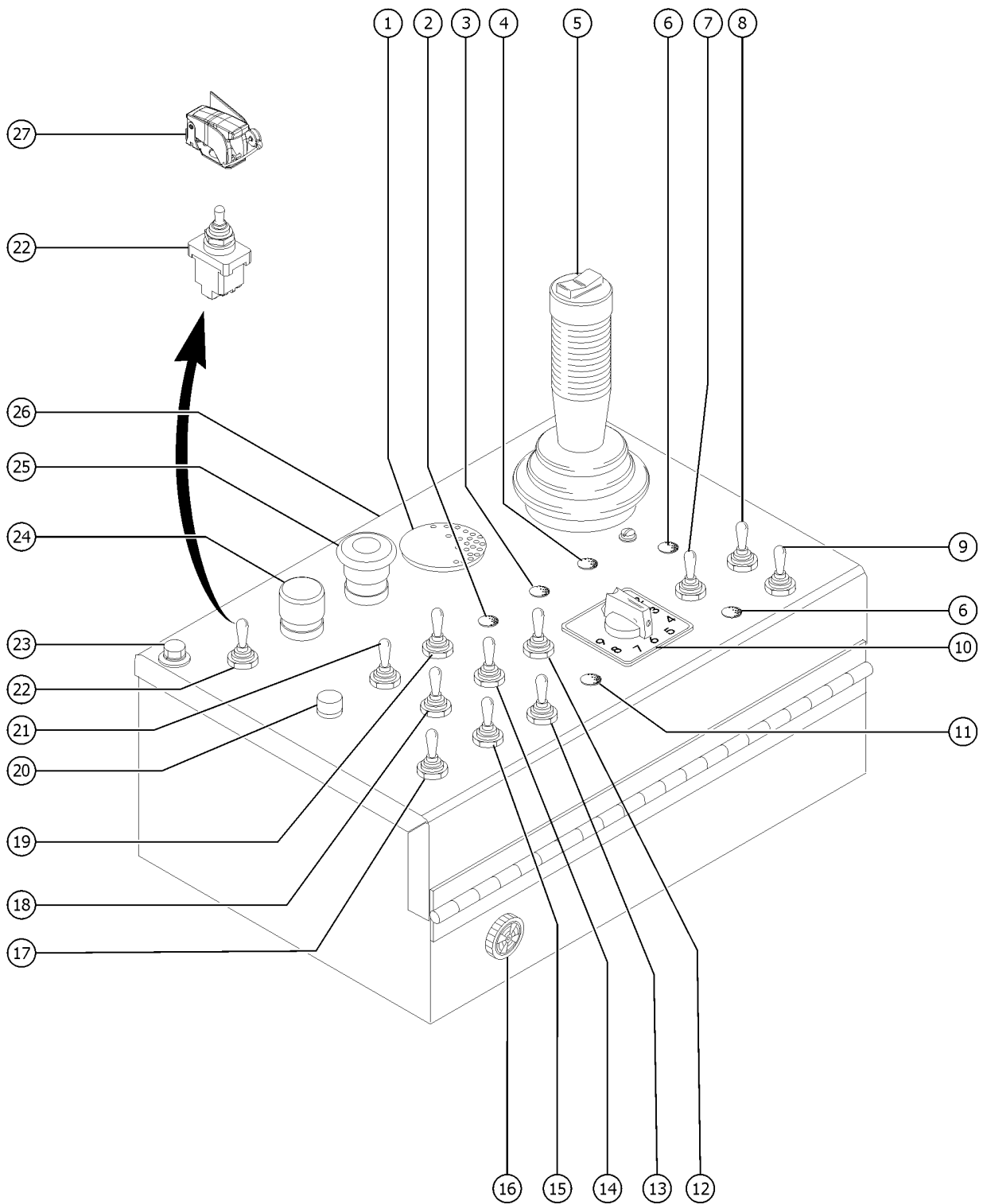
602.1 Platform Control Box, External View



Item	Part No.	Description	Qty.
A-	42781GT	PLUG, NYLON .250 BLACK DOMED	
B-	15243GT	PLUG,NYLON .875 BLACK DOMED	
C-	45782GT	DIODE,6 AMP,200 PIV,BULK	
D	128204GT	SWITCH TOGGLE ASSY SPDT 2P MNT	
		option, work lights	
1	81900GT	ALARM,STEADY TONE***	
1B	110651GT	LVI/BCI 36/48 VOLT ENGAGE II	
		option, battery charge or low voltage indicator	
1B-	110652GT	GASKET LVI/BCI ENGAGE II	
1B-	110653GT	BRACKET ENGAGE II	
1C	237145GT	IND,BAT CHARGE,48V LEAD-ACID	
		option, battery charger indicator	
2	128200GT	SWITCH TOGGLE ASSY SPDT 3P MOM	
		option, aircraft protection function override	
3	824878GT	LIGHT,LED IND. RED 24V NH	
		option, machine not level indicator	
4	824878GT	LIGHT,LED IND. RED 24V NH	
		option, platform overload indicator	
5		Ref. JOYSTICK	1
		refer to 604.1	
6	229567GT	PLUG,SANTOPRENE .5 BLACK DOME	
7	128584-SGT	SWITCH TOGGLE SPDT 2P MNT SHDR	
		Z34N/DC option, platform light	
7B	128580-SGT	SWITCH TOGGLE SPDT 3P MOM SHDR	
		bi-energy engine start	
8	128580-SGT	SWITCH TOGGLE SPDT 3P MOM SHDR	
		option, glow plug	
9	128586-SGT	SWITCH TOGGLE DPDT 3P MNT SHDR	
		Z34BE, engine idle select	
10		Ref. CONTROLLER,ROTARY 24V W/RAMP	1
		refer to 605.1	
11	128204GT	SWITCH TOGGLE ASSY SPDT 2P MNT	
		option, 110V or 120V inverter	
11B	56457-SGT	SWITCH,TOGGLE,SPDT,2 POS MAINT	
		option, 220V inverter	
12	128582-SGT	SWITCH TOGGLE DPDT 3P MOM SHDR	
		jib boom up/down	
13	128582-SGT	SWITCH TOGGLE DPDT 3P MOM SHDR	
		secondary boom up/down	
13B	45105GT	GUARD,TOGGLE SWITCH	
		not shown	
14	128582-SGT	SWITCH TOGGLE DPDT 3P MOM SHDR	
		primary boom up/down	
15	128582-SGT	SWITCH TOGGLE DPDT 3P MOM SHDR	
		turntable rotate	
16	45383GT	ALARM,WARBLE TONE 5-30 VDC***	1
		plastic nut not included	
16B	72326GT	NUT,PLASTIC,RING FOR ALARMS	



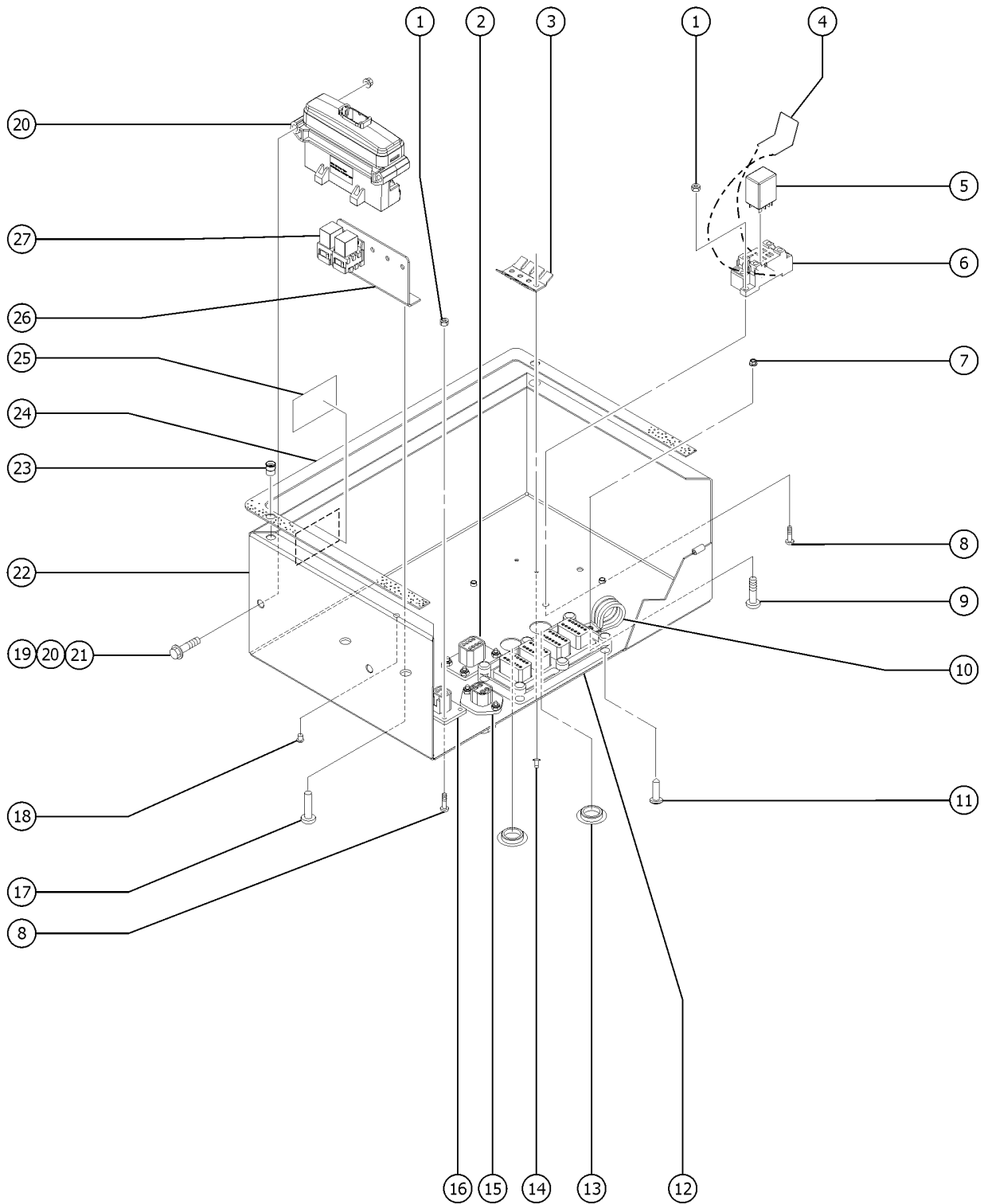
602.1 Platform Control Box, External View



Item	Part No.	Description	Qty.
17	128580-SGT	SWITCH TOGGLE SPDT 3P MOM SHDR drive enable switch	
18	128582-SGT	SWITCH TOGGLE DPDT 3P MOM SHDR platform rotate	
19	128582-SGT	SWITCH TOGGLE DPDT 3P MOM SHDR primary boom extend/retract	
20	824878GT	LIGHT,LED IND. RED 24V NH drive enable indicator	
21	128582-SGT	SWITCH TOGGLE DPDT 3P MOM SHDR platform level	
22	128581-SGT	SWITCH TOGGLE DPDT 2P MOM SHDR auxiliary power	1
23	824077GT	SCREW, HHF, 1/4-20 X .5, 8, ZAG auxiliary power	2
24	122513GT	KIT,HORN SVC BB&SM BOOM auxiliary power	1
24-	66813GT	BUTTON,PUSH,BLACK W/SEAL *** auxiliary power	1
24-	66815GT	BASE, W/1 N.O. CONTACTS*** auxiliary power	1
25	66816GT	CONTACT,N.O. auxiliary power	
25A-	66812GT	BUTTON,PUSH,RED MUSHROOM HEAD auxiliary power	1
25B-	146478GT	BOOT(BELLOWS),E-STOP,BLACK auxiliary power	1
25B-	94506GT	BASE,W/3 NC CONTACTS auxiliary power	1
25	66818GT	CONTACT,NC auxiliary power	
26		Ref. CONTROL BOX PLATFORM,PAINTED refer to 603.1	1
27	1261347GT	TOGGLE SWITCH W/GUARD ASSY CE models only	1
27-	1261346GT	TOGGLE SWITCH GUARD, RED CE models only	1
27-	1261566GT	SECURITY TIE, TOGGLE GUARD CE models only	1



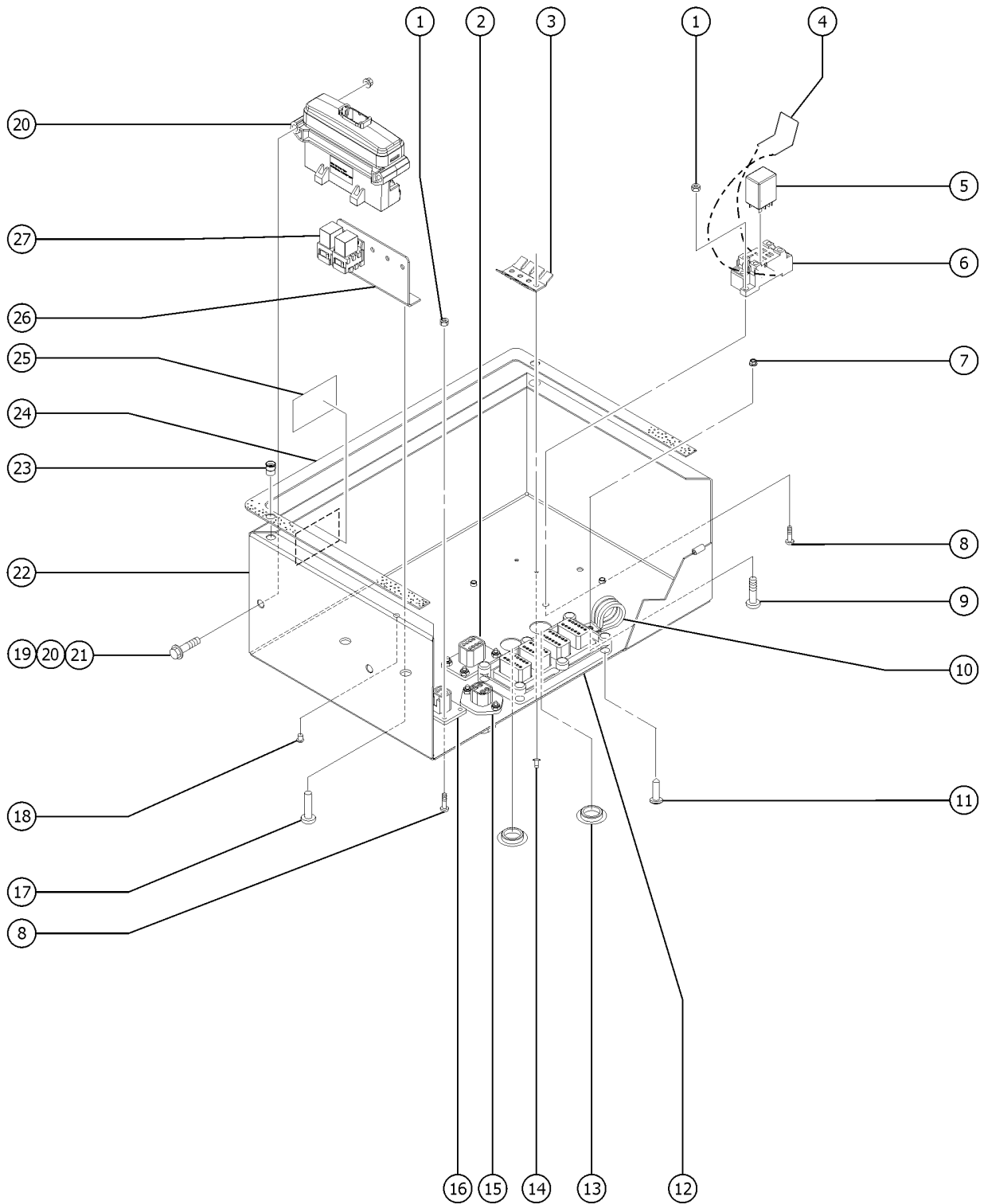
603.1 Platform Control Box, Internal View



Item	Part No.	Description	Qty.
A-	147253GT	TIME DELAY RELAY,2 SEC,24VDC	
B-	42781GT	PLUG, NYLON .250 BLACK DOMED	2
1	824019GT	NUT, TL, 6-32, A, ZAG	
2	87755GT	CONN,RECEP 8 WAY 14-18GA,FL	1
3	56663GT	TERMINAL STRIP	1
4	42617GT	CLIP,SPRING,POTTER BRUMFIELD	1
5	42616GT	RELAY,POTTER BRUMFIELD 24V ** for work light option	1
6	61226GT	RELAY SOCKET,70AMP	1
7	824032GT	NUT,TL FLG,10-32,F,ZAG	
8	824214GT	SCREW,PHPM,6-32X.50,ZAG	
9	54365GT	SCREW,PHIL,PHM,10-32 X .5,SSTL	
10	13268GT	CLAMP,0.75,#12 X 1/4,RUB CUSH	1
11	824226GT	SCREW,PHPSH,#12-11X.75,ZAG	
12	73736GT	CONN,RECEP 48 WAY,4 X 12	1
12-	54255GT	LOCK, RECEP 12WAY, 14-18GA	
12-	73713GT	TERM,NI PIN,S&F,16-18GA,REEL	
13	15243GT	PLUG,NYLON .875 BLACK DOMED	2
14	824206GT	RIVET,STL,STL,DOME,1/8X.25,ZAG	4
15	73717GT	CONN, RECEP, 4 WAY, DEUTSCH, DTP, FLANGE	1
15-	60526GT	LOCK,RECEP 4 WAY,12-14GA	
15-	73711GT	TERM,DEUTSCH, PIN #12-14	
16	73723GT	CONN RECEP,FLANGED	1
16-	54259GT	TERM,NI PIN, 14-16GA,BULK	
16-	60443GT	LOCK,RECEP 4 WAY,14-18GA	
17	824079GT	SCREW,HHF,1/4-20X1.8,ZAG CE models from SN 11787	
18	42781GT	PLUG, NYLON .250 BLACK DOMED	4
19	824083GT	SCREW, HHF, 1/4-20 X 2.5, 8, ZAG	2
20		Ref. MODULE, PLUS+1, OPA2 refer to 813.2 Lift Guard Contact Alarm	



603.1 Platform Control Box, Internal View

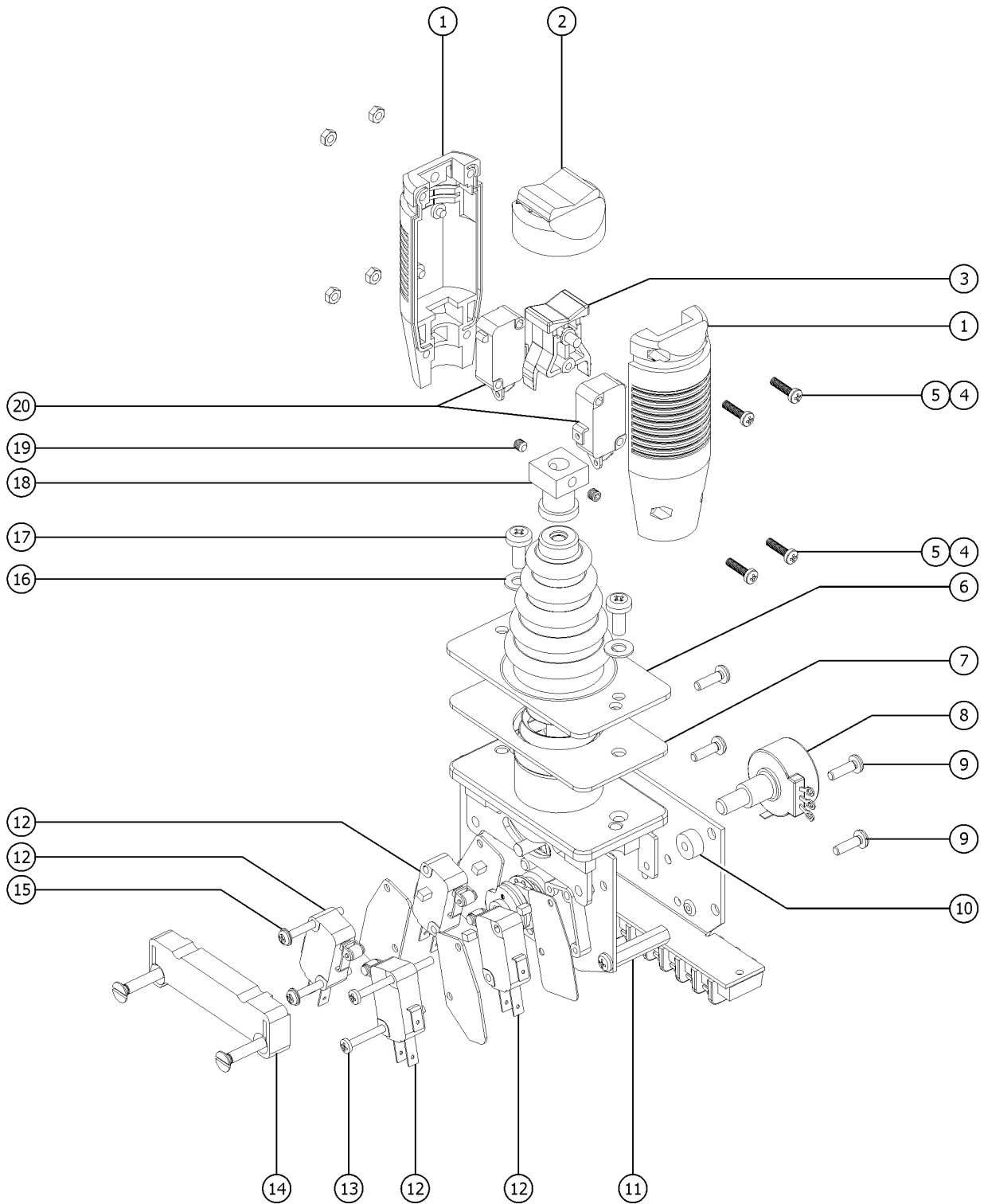


603.1 Platform Control Box, Internal View

<i>Item</i>	<i>Part No.</i>	<i>Description</i>	<i>Qty.</i>
21	1277924GT	NUT,NYLOCK FLG,1/4-20,F,ZAG	2
22	110649GT	PLATFORM CONTROL BOX W/DECAL	1
		Includes items 16, 17 and 18	
23	23404GT	NUTSERT,1/4-20,STEEL CAD PLTD	2
24	36235GT	GASKET,PLAT.CONTROL BOX	1
25	30997GT	CORROSION INHIBITOR,FOAM	1
26	T106699GT	BRACKET,RELAY MOUNT W/INSERTS	1
		CE models from SN 11787; includes nutserts	
27	56302GT	RELAY,24VDC,40/30A,SEALED***	2
		CE models from SN 11787	



604.1 Joystick Controller, Drive/Steer Functions

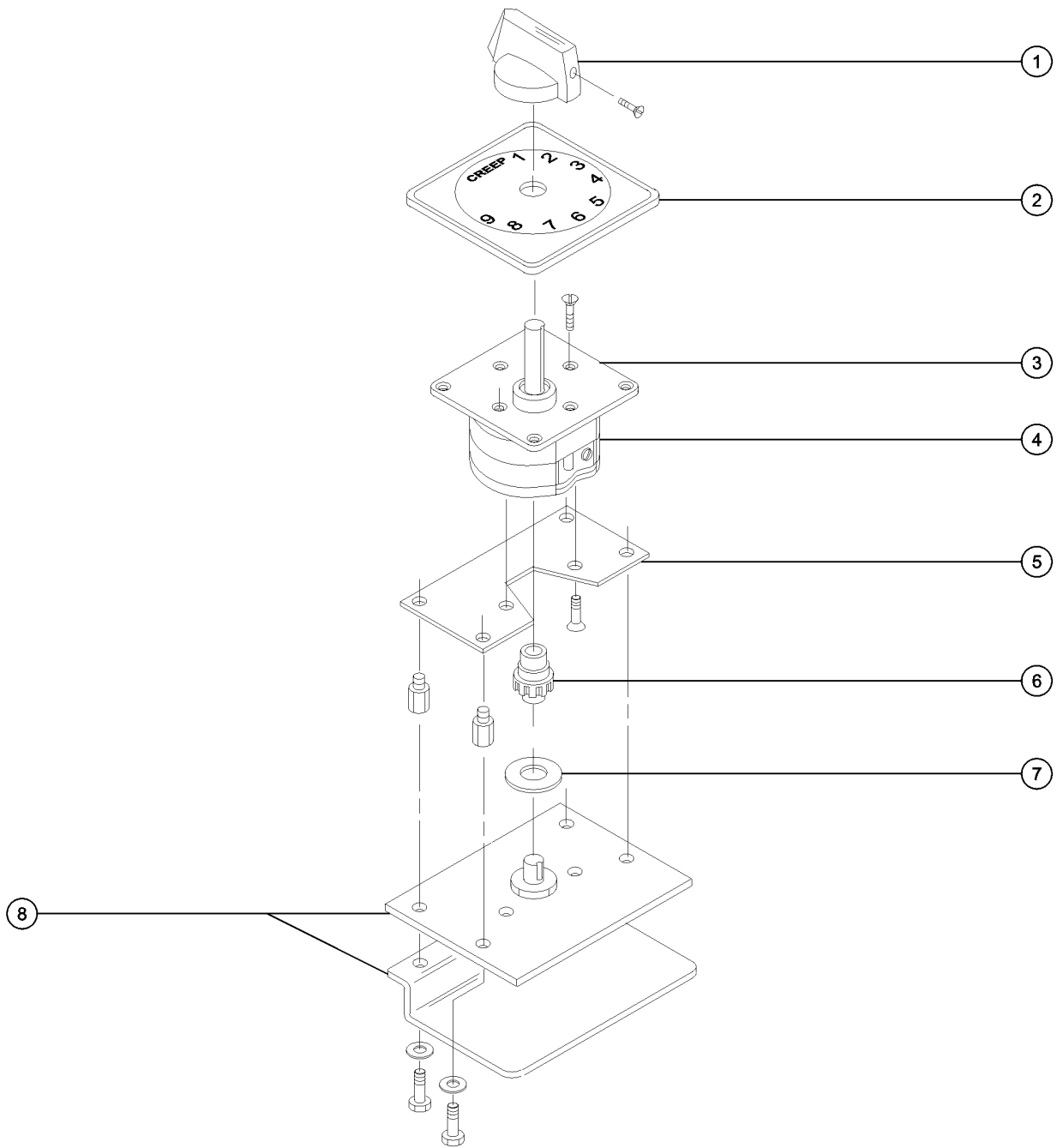


604.1 Joystick Controller, Drive/Steer Functions

Item	Part No.	Description	Qty.
	234923GT	JOYSTICK,5K-0 OHM,W/RELAY	1
1	52887GT	HANDLE HALF (56274)	2
2	43038GT	BOOT-THUMB ROCKER** BLACK	1
3	65178GT	ROCKER ASSY W/ROLLPIN***	1
4	52895GT	SCREW,PHM,M3 X .5 X 12MM	4
5	52928GT	NUT-HEX,3M X 0.5MM	4
6	21427GT	BOOT,CONTROLLER**	1
7	43042GT	GASKET,JOYSTK.SHAFT36867/42032	1
8	72298GT	POTENTIOMETER (56773)	1
9	65546GT	SCREW,PHM,M3.5 X 12MM (57890)	6
10	74368GT	SPACER-POT.PLATE,JOYSTICK56773	2
11	19721GT	MICROSWITCH SPACER,45049	1
12	19712GT	MICROSWITCH,V3L-139-D8	4
13	52892GT	SCREW,PHS,4-40 X 1.5	2
14	19713GT	SPRING RETURN,HEAVY DUTY,45049	1
15		Ref. SCREW, 4-40 x 1/18"	2
		illustration purpose only	
16	74362GT	WASHER,NYLON, JOYSTICK	2
17	226383GT	SCREW	2
18	43040GT	NUT,JS,36867/42032/44988/40612	1
		coupling	
19	58985GT	SCREW,HANDLE42032,40612,36867	2
20	19722GT	MICROSWITCH-V319M***	2



605.1 Rotation Controller, Boom Function Speed

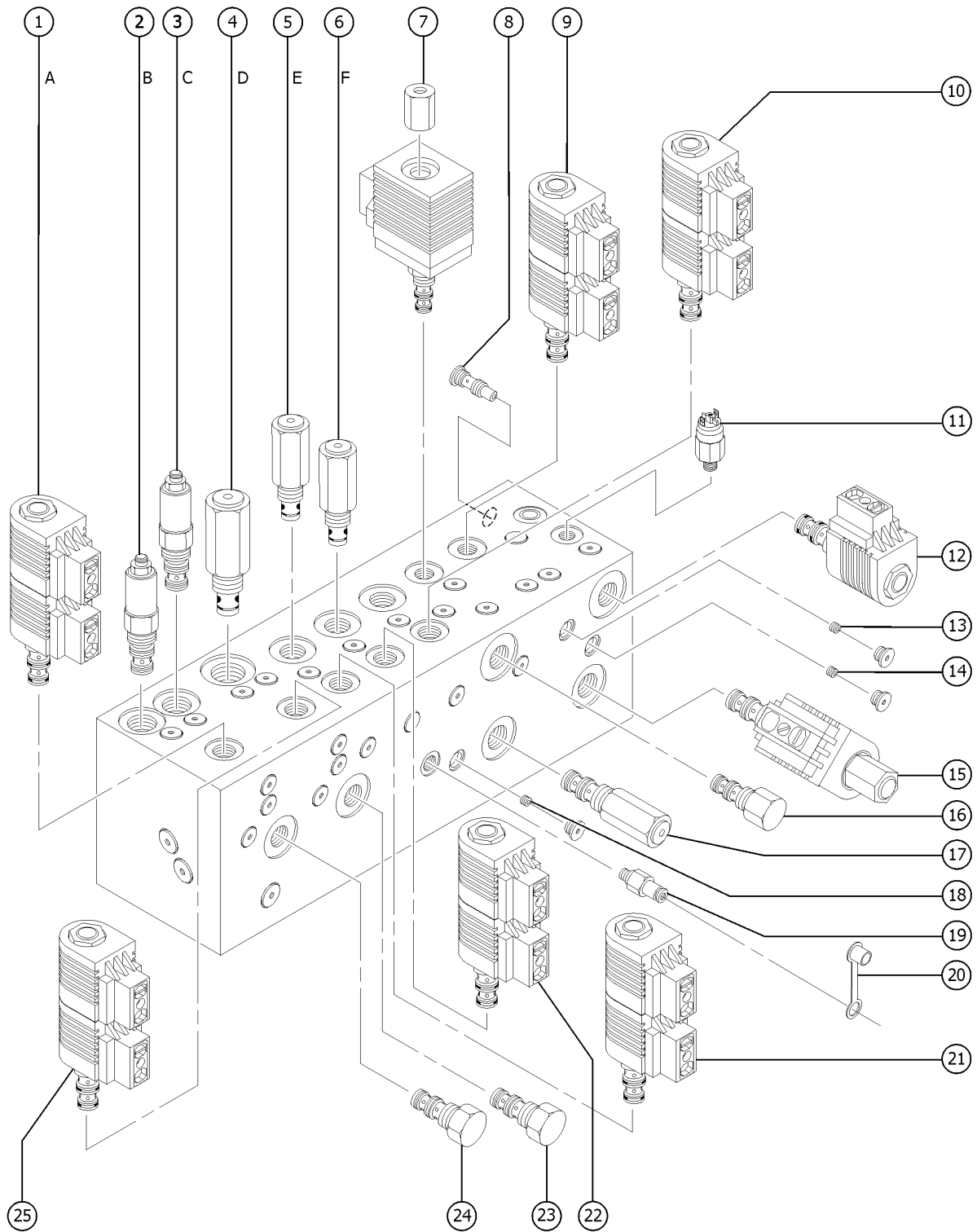


605.1 Rotation Controller, Boom Function Speed

<i>Item</i>	<i>Part No.</i>	<i>Description</i>	<i>Qty.</i>
	56886GT	CONTROLLER,ROTARY 24V W/RAMP	1
1	35679GT	KNOB, 45048 CONTROLLER	1
2	35680GT	LEGEND,PLSTC,"CREEP TO 9"****	1
3	35678GT	MOUNTING PLATE, 45048	1
4	74356GT	SWITCH ASSEMBLY (56886)	1
5	74357GT	PLATE,ROTARY CNTRL (56886)	1
6	74358GT	COUPLING,POT SHAFT (56886)	1
7	74359GT	GASKET-ROTARY CNTRL 56886	1
8	74384GT	PRINTED CIRCUIT BOARD 56886	1



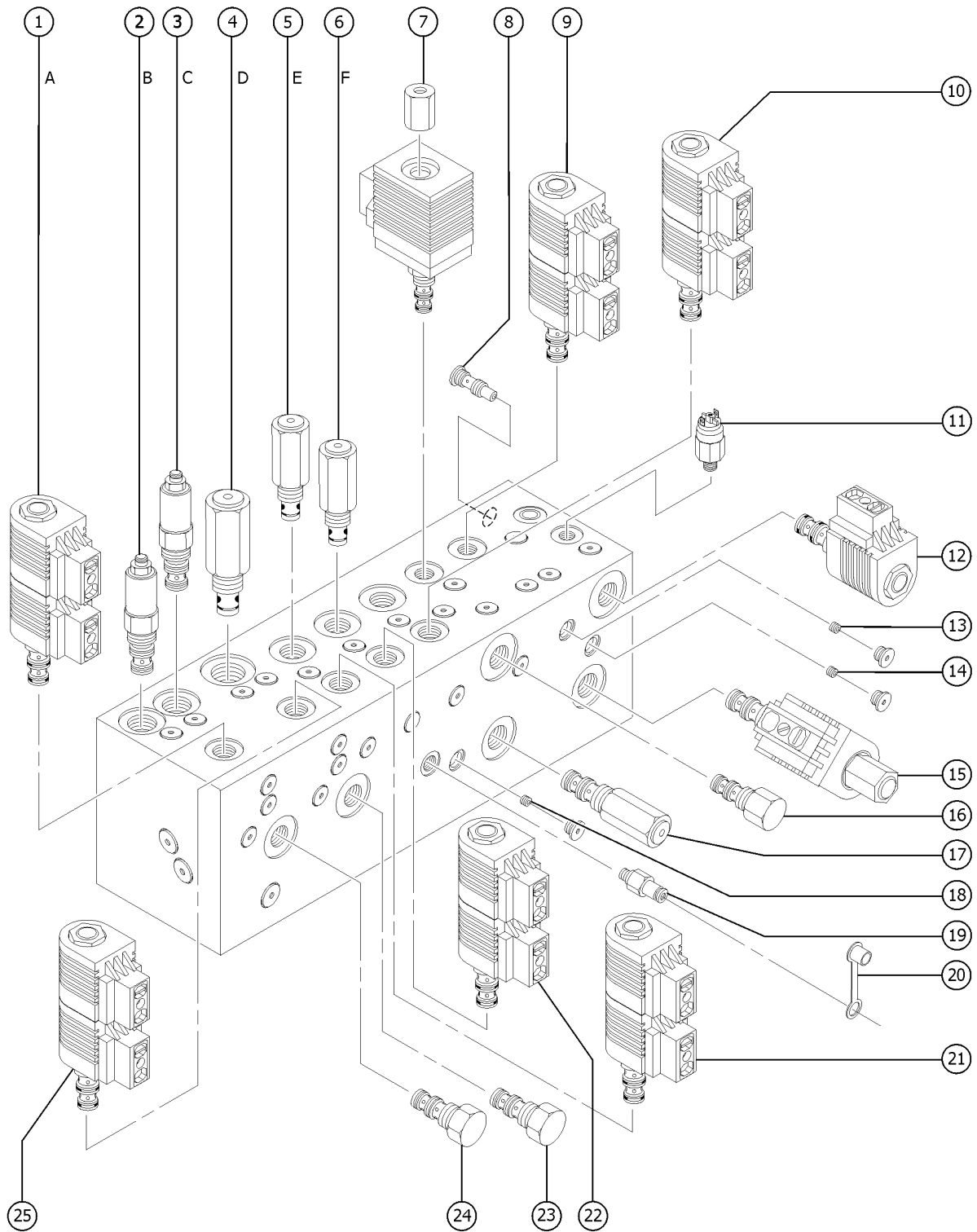
701.1 Function Manifold



Item	Part No.	Description	Qty.
A-	128444GT	MANIFOLD,FUNC,Z30N/Z34DC/BE	1
B-	49612GT	O-RING KIT (ORFS FITTINGS)	
C-	49613GT	PLUG AND CAP KIT-SERVICE,ORFS*	
D-	28750GT	O-RING KIT,FIELD SVC,ALL PROD*	
E-	33994GT	PLUG AND CAP KIT-SERVICE,37 **	
1	52599GT	VALVE,SOLENOID,3POS/4WAY* platform level up/down	1
1-	40413GT	COIL,SOLND,W/D,20V SGL SPADE	
1-	52943GT	NUT SOLENOID VALVE COIL	
1-	72047GT	SEAL KIT, SOLENOID VALVE	
2	52604GT	VALVE,COUNTERBALANCE, 3000PSI platform level down	1
2-	58994GT	SEAL KIT,VALVE (48647)	
3	52604GT	VALVE,COUNTERBALANCE, 3000PSI platform level up	1
3-	58994GT	SEAL KIT,VALVE (48647)	
4	52603GT	VALVE,RELIEF,1100PSI*** turntable rotate left/right	1
4-	110199GT	SEAL KIT, VALVE, #10	
5	52601GT	VALVE,RELIEF,1600 PSI secondary boom down	1
5-	74902GT	SEAL KIT, VALVE	
6	52601GT	VALVE,RELIEF,1600 PSI primary boom down	1
6-	74902GT	SEAL KIT, VALVE	
7	40410GT	VALVE,PROPORTIONAL** system flow regulating circuit	1
7-	29032GT	COIL,24V SOLENOID VALVE	
7-	45921GT	RETAINER-N.C.PROPOR.SOLENOID	
7-	89310GT	SEAL KIT, SOLENOID VALVE	
8	43599GT	VALVE,CHECK brake circuit	1
8-	110200GT	SEAL KIT, VALVE, #4	
9	52885GT	VALVE,SOLENOID,3POS 4WAY steer lift/right	1
9-	40413GT	COIL,SOLND,W/D,20V SGL SPADE	
9-	52943GT	NUT SOLENOID VALVE COIL	



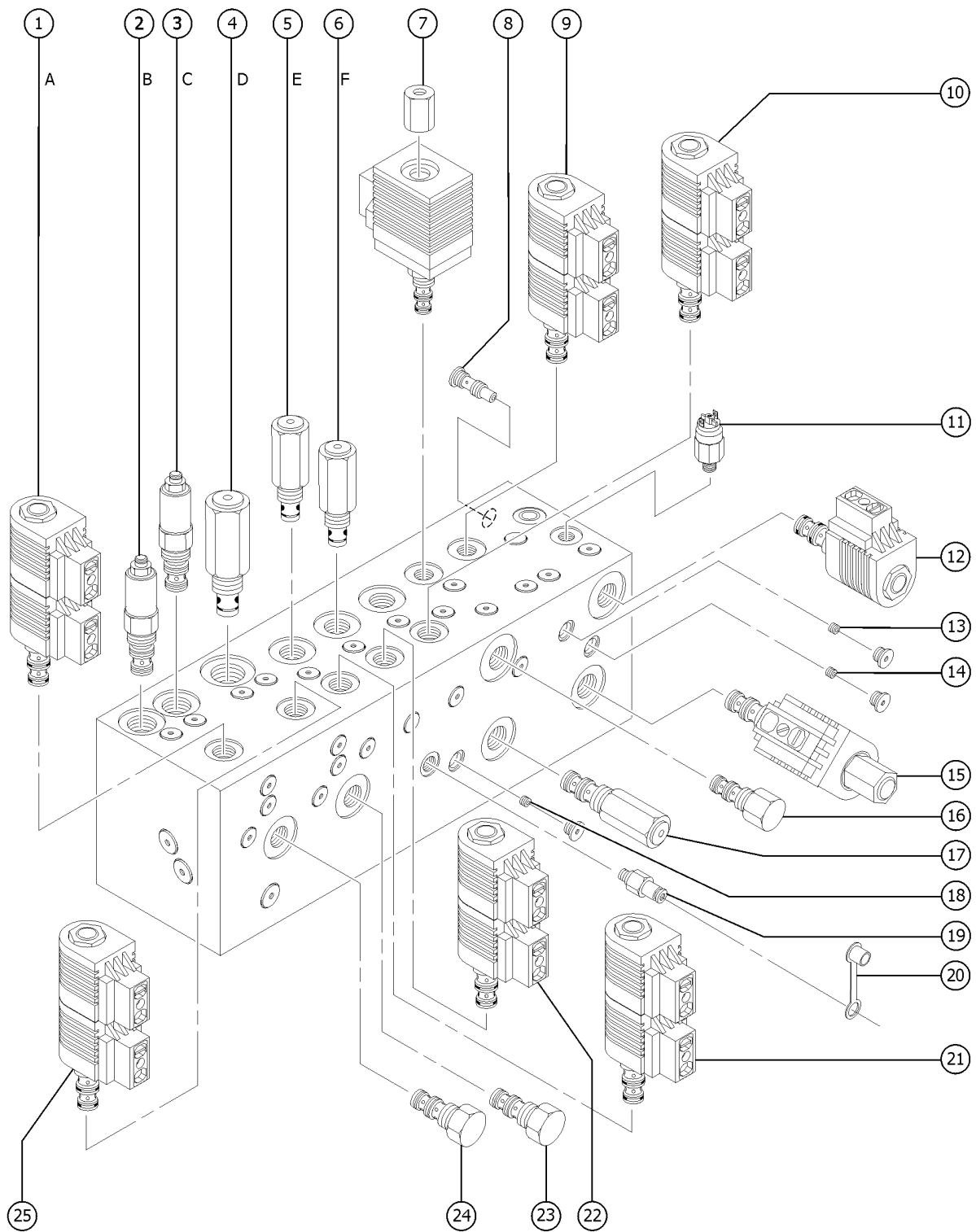
701.1 Function Manifold



Item	Part No.	Description	Qty.
9-	72047GT	SEAL KIT, SOLENOID VALVE	
10	52599GT	VALVE,SOLENOID,3POS/4WAY* primary boom extend/retract	1
10-	40413GT	COIL,SOLND,W/D,20V SGL SPADE	
10-	52943GT	NUT SOLENOID VALVE COIL	
10-	72047GT	SEAL KIT, SOLENOID VALVE	
11	1287986GT	SWITCH,PRESS,#6SAE,600 PSI brake circuit	1
12	45544GT	VALVE SOLENOID brake circuit	1
12-	74902GT	SEAL KIT, VALVE	
12-	52339GT	COIL,SOLND,W/D,20V DUAL SPADE	
12-	52943GT	NUT SOLENOID VALVE COIL	
13	19789GT	PLUG,ORIFICE-.045 brake circuit	1
14	19789GT	PLUG,ORIFICE-.045 brake and steer circuit	1
15	44956GT	VALVE,SOLENOID 20V W/DIODE brake circuit	1
15-	40413GT	COIL,SOLND,W/D,20V SGL SPADE	
15-	45921GT	RETAINER-N.C.PROPOR.SOLENOID	
15-	74902GT	SEAL KIT, VALVE	
16	74425GT	VALVE,DIFF.SENSE*** differential sensing circuit	1
16-	110197GT	SEAL KIT, VALVE, #10	
17	52715GT	VALVE,RELIEF 3200 PSI system relief	1
17-	74902GT	SEAL KIT, VALVE	
18	94019GT	ORIFICE, 0.035" (74512,74966) tank return circuit	
19	48997GT	NIPPLE,DIAGNOSTIC,#4 testing	1
19-	20224GT	DIAGNOSTIC FEMALE Q-DSCNT	
20	48880GT	CAP,DIAGNOSTIC NIPPLE	
21	52599GT	VALVE,SOLENOID,3POS/4WAY* secondary boom up/down	1
21-	40413GT	COIL,SOLND,W/D,20V SGL SPADE	
21-	52943GT	NUT SOLENOID VALVE COIL	
21-	72047GT	SEAL KIT, SOLENOID VALVE	



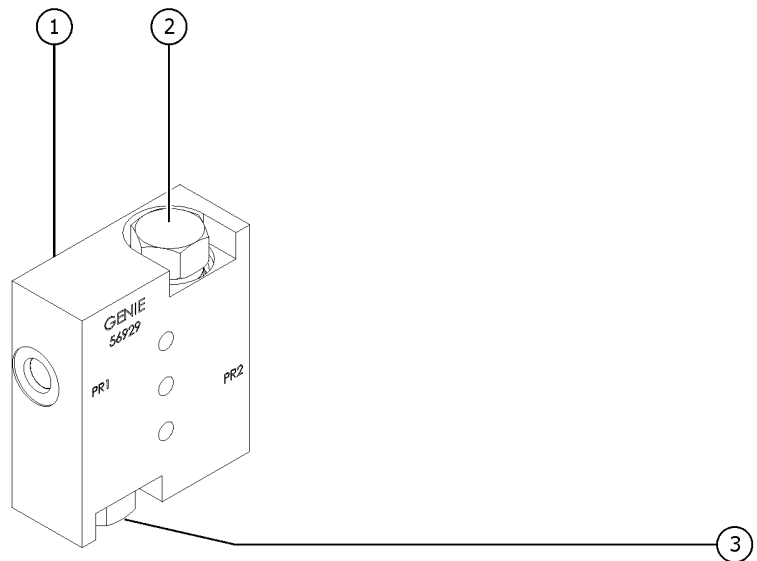
701.1 Function Manifold



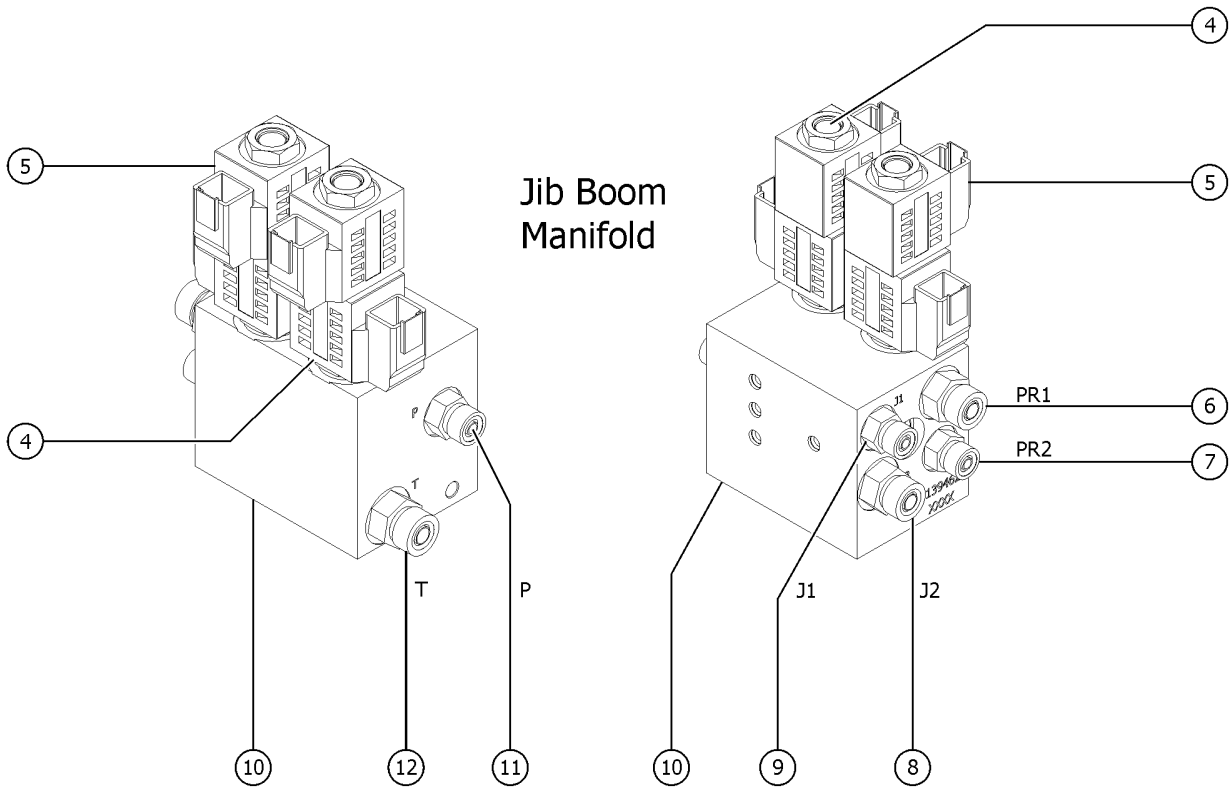
<i>Item</i>	<i>Part No.</i>	<i>Description</i>	<i>Qty.</i>
22	52599GT	VALVE,SOLENOID,3POS/4WAY* primary boom up/down	1
22-	40413GT	COIL,SOLND,W/D,20V SGL SPADE	
22-	52943GT	NUT SOLENOID VALVE COIL	
22-	72047GT	SEAL KIT, SOLENOID VALVE	
23	19470GT	VALVE,FLOW REGULATOR turntable rotate circuit	1
23-	74902GT	SEAL KIT, VALVE	
24	52598GT	VALVE,FLOW REGULATOR .8 GPM jib boom and platform rotate circuit	1
24-	74902GT	SEAL KIT, VALVE	
25	52885GT	VALVE,SOLENOID,3POS 4WAY turntable rotate left/right	1
25-	40413GT	COIL,SOLND,W/D,20V SGL SPADE	
25-	52943GT	NUT SOLENOID VALVE COIL	
25-	72047GT	SEAL KIT, SOLENOID VALVE	



702.1 Jib Boom and Platform Rotate Manifold



Platform Rotate Manifold



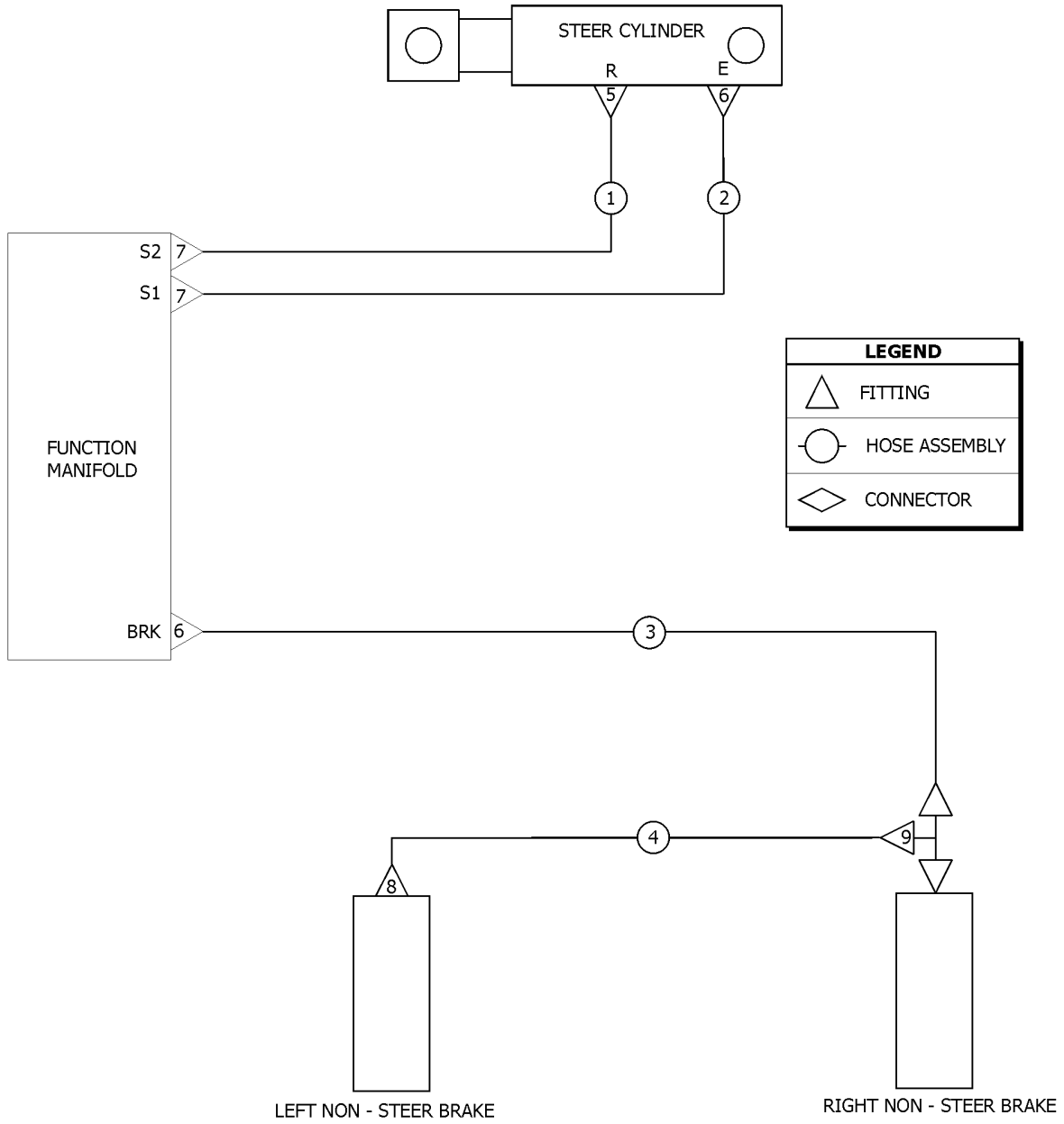
Jib Boom Manifold

702.1 Jib Boom and Platform Rotate Manifold

Item	Part No.	Description	Qty.
1	56929GT	MANIFOLD, ROTATOR, 180 DEG.*** includes 2 and 3	1
1-	62507GT	O-RING, ROTATOR MANIFOLD	
2	62506GT	VALVE - COUNTERBALANCE** platform rotate right	
2-	43018GT	SEAL KIT (39345)	
3	62506GT	VALVE - COUNTERBALANCE** platform rotate left	
3-	43018GT	SEAL KIT (39345)	
4	139560GT	SOLENOID VALVE W/NUT*** jib boom up/down	
4-	139561GT	COIL, SOLENOID VALVE, 24V***	
5	139560GT	SOLENOID VALVE W/NUT*** platform rotate left/right (order coil separately)	
5-	139561GT	COIL, SOLENOID VALVE, 24V***	
6	48916GT	CONN, 520120-6	
7	48905GT	CONN, 520120-4***	
8	48916GT	CONN, 520120-6	
9	48905GT	CONN, 520120-4***	
10	139462GT	MANIFOLD, JIB, 24V NON RJ*** includes 4-12	1
10-	139564GT	SEAL KIT, JIB MANIFOLD, NON RJ	
11	48905GT	CONN, 520120-4*** to SN Z34D-1108	1
11B	1293788GT	No.4 STR ORFS W/125 MICRON SCREEN from SN Z34D-1109	1
12	48916GT	CONN, 520120-6	



703.1 Drive Chassis Hoses

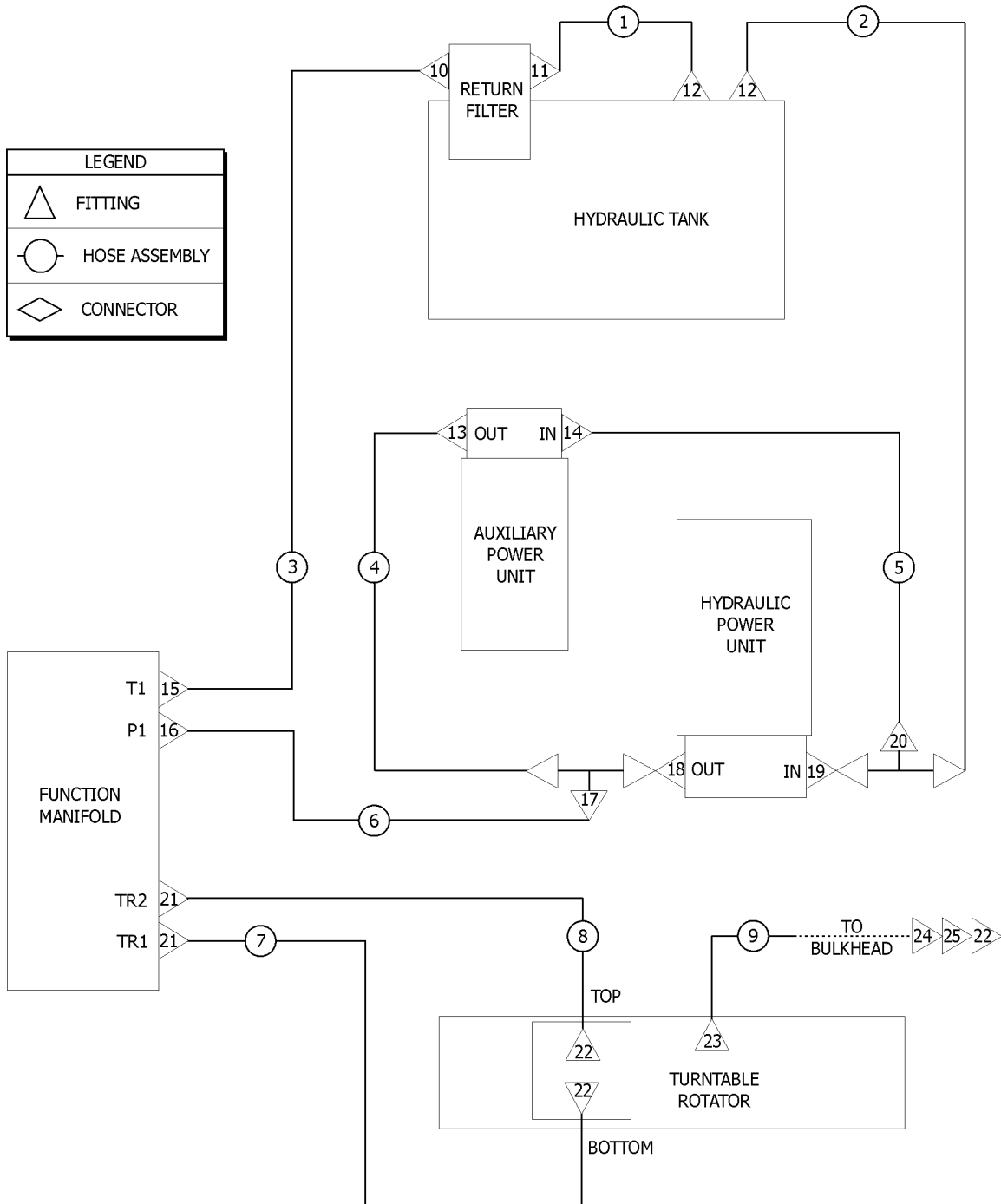


703.1 Drive Chassis Hoses

<i>Item</i>	<i>Part No.</i>	<i>Description</i>	<i>Qty.</i>
1	49119-7300GT	HOSE ASSY,1/4,STR FEM,STR FEM	1
2	49119-6600GT	ASSY, HOSE, HYD, -4, 3250, STR, STR	1
3	49117-8100GT	HOSE ASSY,1/4",81.00	1
4	49119-4100GT	HOSE ASSY, 1/4",41.00	1
		Z-34DC/BE	
4B	49119-3350GT	HOSE ASSY,1/4",33.50	1
		A34N	
5	48911GT	ELBOW,90D,520220-4-6***	
6	48912GT	CONN,520120-4***	
7	49418GT	FITTING,ELBOW,45D,520320-4-6**	
8	48904GT	ELBOW, 90D, 520220-4	
9	48906GT	TEE,RUN,520428-4	



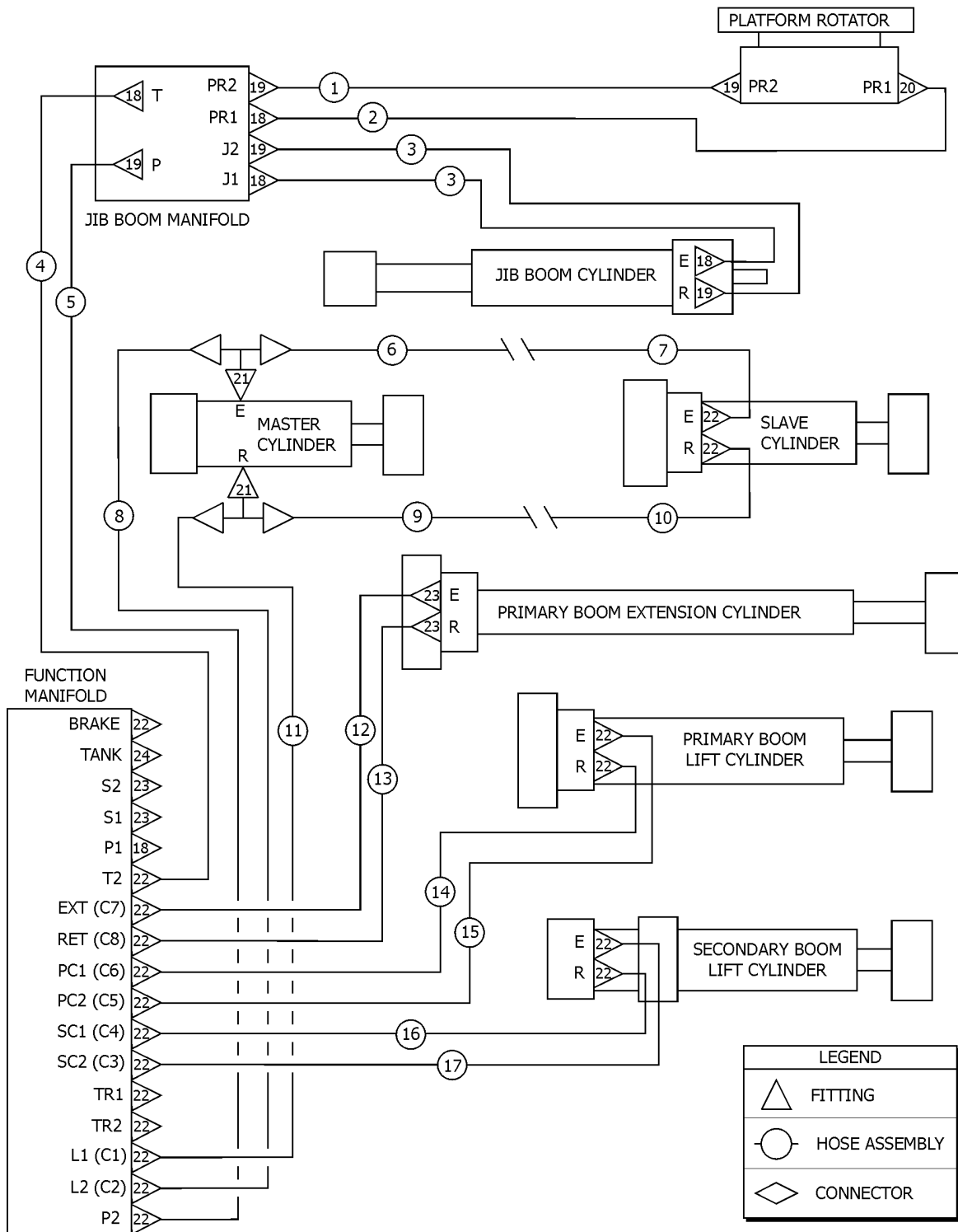
704.1 Turntable Hoses



Item	Part No.	Description	Qty.
1	81812-1238GT	ASSY, HOSE, HYD, -8, 2500, STR, STR	1
2	1290352-2487GT	HOSE ASSY, 1/2", 24.87" Z-34N and Z-34DC	1
3	81812-5400GT	HOSE ASSY, 1/2", 54.00 Z-34N and Z-34DC	1
4	1290348-1700GT	HOSE ASSY, 3/8", 17.00 Z-34N and Z-34DC	1
5	1290350-2000GT	HOSE ASSY, 3/8", 20.00" Z-34N and Z-34DC	1
6	101929-3950GT	HOSE ASSY, 3/8", 39.50 Z-34N and Z-34DC	1
7	49118-3150GT	HOSE ASSY, 1/4", 31.50	1
8	49118-2750GT	HOSE ASSY, 1/4", 27.50 Z-34N and Z-34DC	1
9	49189-2325GT	HOSE ASSY, 1/4", 23.25 Z-34N and Z-34DC	1
10	48932GT	FITTING, ELBOW, 90D, 520220-8***	
11	48937GT	ELBOW, 45D, 520320-8	
12	1267575GT	ELBOW, 90D, 520102-8-8	
13	48915GT	ELBOW, 90D, 520220-6	
14	56003GT	ELBOW, 90D, LONG, 521520-6	
15	48933GT	CONN, 520120-8***	
16	48916GT	CONN, 520120-6	
17	48875GT	TEE, RUN, SWIVEL, 520432-6	
18	74136GT	VALVE, CHK, #8PORT-#6MALEORFS***	
19	139877GT	ELBOW, 90D, 520220-8-10	
20	48938GT	FITTING, TEE, RUN, SWIVEL 520432-8	
21	48912GT	CONN, 520120-4***	
22	22794GT	ZERK, GREASE, 1/8 NPT, 45DEG	
23	31194GT	ELBOW, 070302-4-2	
24	1267579GT	ELBOW, 90D, JSJ-4-4	
25	48885GT	CONNECTOR, BULKHEAD, FEMALE-4	



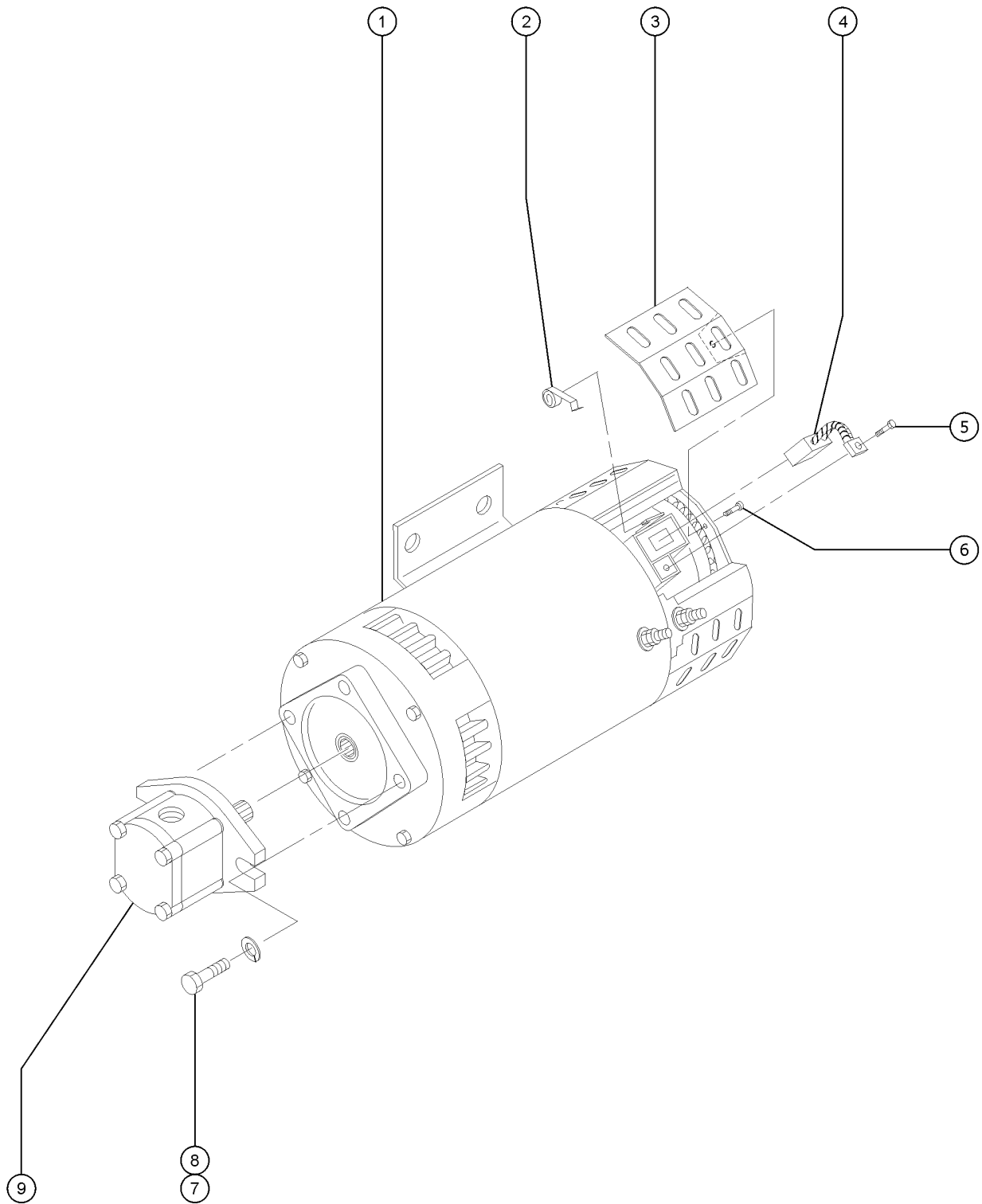
705.1 Boom Hoses



Item	Part No.	Description	Qty.
1	49117-4650GT	HOSE ASSY,1/4".46.50	1
1B	48773GT	SLEEVE,NYLON,.86 ID	12
2	49114-4650GT	HOSE ASSY, 1/4", 46.50	1
2B	48773GT	SLEEVE,NYLON,.86 ID	12
3	49120-1900GT	HOSE ASSY, 1/4", 19.00	2
4	49120-48150GT	HOSE ASSY,1/4",481.5	1
5	49120-48150GT	HOSE ASSY,1/4",481.5	1
6	49121-23900GT	HOSE ASSY, 1/4", 239.0	1
7	49120-3100GT	HOSE ASSY, 1/4", 31.00	1
8	49119-20200GT	HOSE ASSY,1/4",202.00	1
9	49119-23900GT	HJOSE ASSY,1/4",239.0	1
10	49121-3150GT	HOSE ASSY, 1/4", 31.50	1
11	49119-20200GT	HOSE ASSY,1/4",202.00	1
12	49119-23600GT	ASSY, HOSE, HYD, -4, 3250, STR, STR	1
13	49119-23600GT	ASSY, HOSE, HYD, -4, 3250, STR, STR	1
14	49119-21300GT	ASSY, HOSE, HYD, -4, 3250, STR, STR	1
15	49119-21300GT	ASSY, HOSE, HYD, -4, 3250, STR, STR	1
16	49119-8300GT	ASSY, HOSE, HYD, -4, 3250, STR, STR	1
17	49119-8300GT	ASSY, HOSE, HYD, -4, 3250, STR, STR	1
18	48916GT	CONN, 520120-6	1
19	1293788GT	No.4 STR ORFS W/125 MICRON SCREEN	1
20	48927GT	CONN,520120-6-4	1
21	48890GT	FITTING,TEE,BRANCH,520429-4***	1
22	48912GT	CONN,520120-4***	1
23	49418GT	FITTING,ELBOW,45D,520320-4-6**	1
24	48933GT	CONN,520120-8***	1

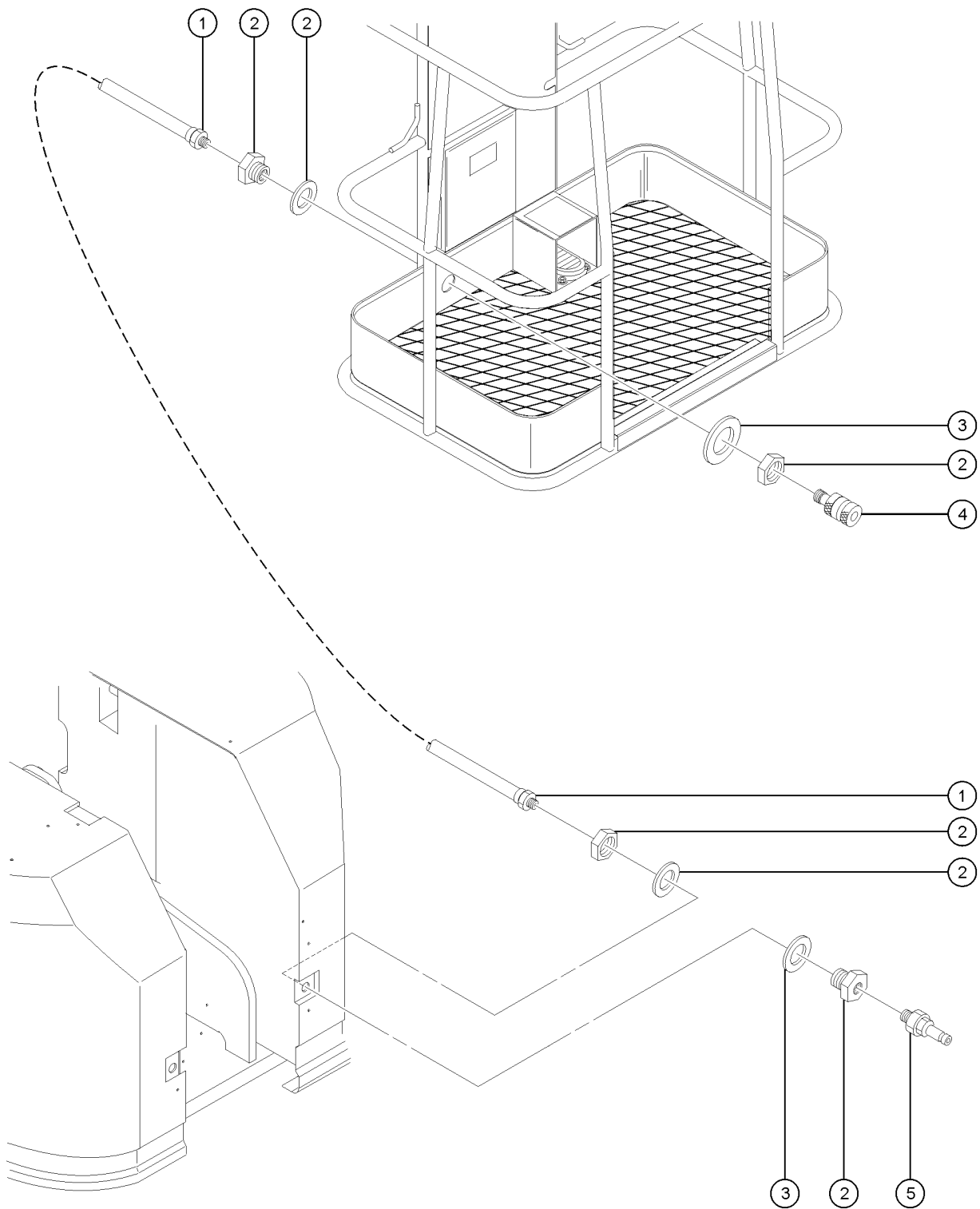


706.1 Hydraulic Power Unit



Item	Part No.	Description	Qty.
1	48504GT	MOTOR,FUNCTION,48V DC includes items 2-6	1
1-	44778GT	BEARING,MOTOR,36843,BRUSH END*	1
1-	44777GT	BEARING,MOTOR	1
1-	58934GT	BRUSH BOX ASSEMBLY includes item 2	1
1-	52915GT	BRUSH LEAD ASSEMBLY KIT(48504)	1
2	44750GT	SPRING-BRUSH,40844, SCISSORS	4
3	58936GT	BRUSH COVER -PLATE-(48504)*	4
4	58932GT	BRUSH SET 4 EA	4
5	52913GT	SCREW,HH TAPETITE THRD8-32X.50	4
6	52914GT	SCREW,HHTAPTITE THREAD8-32X.38	4
7	32317GT	SCREW,HHC,3/8-24 X 1 GR 8 YEL	2
8	6021GT	WASHER,LOCK,.375	2
9	77981GT	PUMP,LIFT,3CC,CCW***	1
9-	77990GT	KIT,SEAL,3CC PUMP***	1

801.1 Air Line to Platform

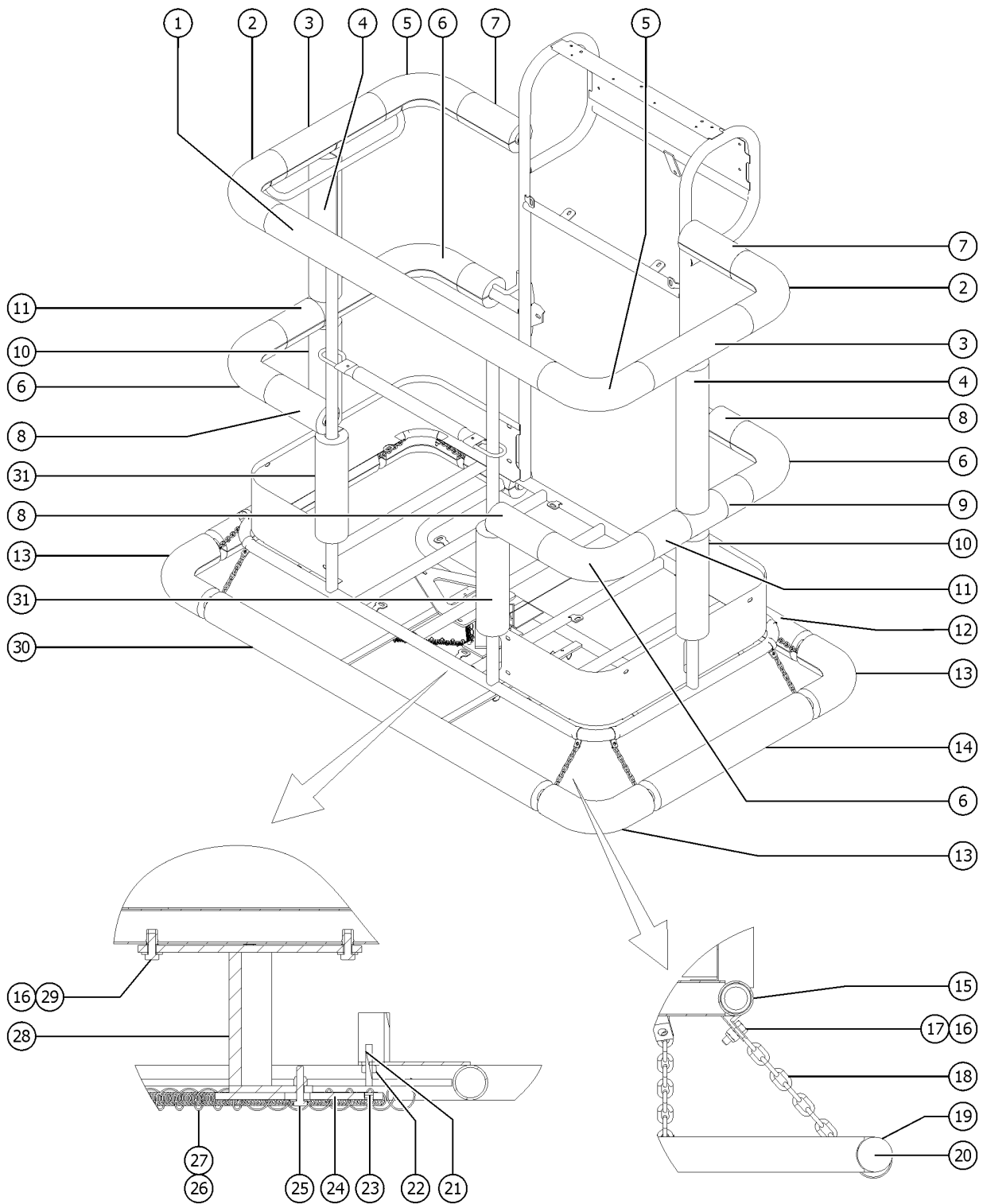


801.1 Air Line to Platform

<i>Item</i>	<i>Part No.</i>	<i>Description</i>	<i>Qty.</i>
1	52960GT	AIRLINE ASSY W/FITTINGS, Z34BE	1
2	27900GT	BULKHEAD,FEMALE X 6 X 6	2
3	824116GT	WASHER, FLAT, F436, 1.0, ZAG	2
4	49215GT	MPT,CPLR,1/4"SER,3/8"X18	1
5	27894GT	PLUG,1/4"SERIES,3/8 MPT	1



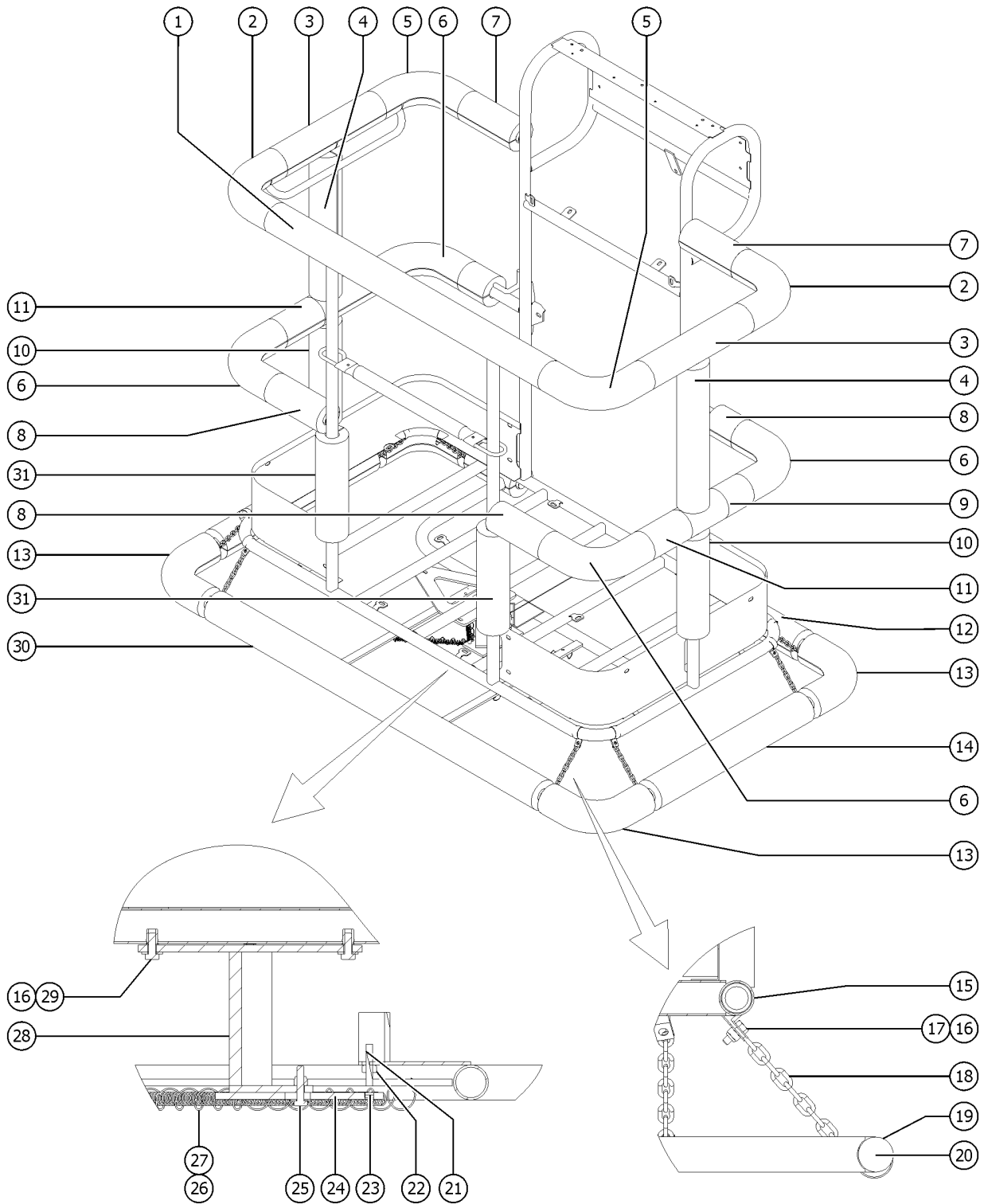
802.1 Aircraft Protection



Item	Part No.	Description	Qty.
	128200GT	SWITCH TOGGLE ASSY SPDT 3P MOM not shown; refer to 602.1	1
1	1251590GT	BUMPER,3.5OD X 1.5ID X 30.75 4-ft platform	1
1B	825211GT	BUMPER,3.5OD X 1.5ID X 40.75 5-ft platform	1
2	147000GT	PADDING, FOAM 90 DEG	2
3	825207GT	BUMPER,3.5OD X 1.5ID X 14.75	2
4	825213GT	BUMPER,3.5OD X 1.5ID X 15.65	2
5	147001GT	PADDING, FOAM 90 DEG	2
6	1252013GT	BUMPER,3.5OD X 1.5 ID 90 DEG 4-ft platform	4
6B	56418GT	BUMPER,90 DEG ELBOW 5-ft platform	4
7	1251592GT	BUMPER,3.5OD X 1.5ID X 2.75 4-ft platform	2
7B	825216GT	BUMPER,3.5OD X 1.5ID X 7.75 5-ft platform	2
8	825215GT	BUMPER,3.5OD X 1.5ID X 3.80	8
9	1252012GT	BUMPER,3.5OD X 1.5 ID X 6.75	2
10	825212GT	BUMPER,3.5OD X 1.5ID X 12.75	2
11	1251592GT	BUMPER,3.5OD X 1.5ID X 2.75	2
12	825209GT	BUMPER,3.5OD X 1.5ID X 6.75	2
13	56418GT	BUMPER,90 DEG ELBOW	4
14	825214GT	BUMPER,3.5OD X 1.5ID X 22.70	2
15	56424GT	CLAMP,1.25X.5 RUBBER-CUSHION	16
16	824078GT	SCREW,HHF,1/4-20X.75,8,ZAG	16
17	1277924GT	NUT,NYLOCK FLG,1/4-20,F,ZAG	16
18	56426-576GT	CHAIN,NO.2 (9LINKS)	8
19	56351GT	WELDMENT,FLOATING BUMPER	1
20	45385GT	PLUG,NYLON 1.12 BLACK DOMED	2
21	139643GT	HARNESS, PROX. KILL	1
21-	27391GT	PROXIMITY SENSOR***	1
21-	34052GT	RELAY,SPDT,12V(AUTO) PLUG IN**	1
21-	56302GT	RELAY,24VDC,40/30A,SEALED***	1

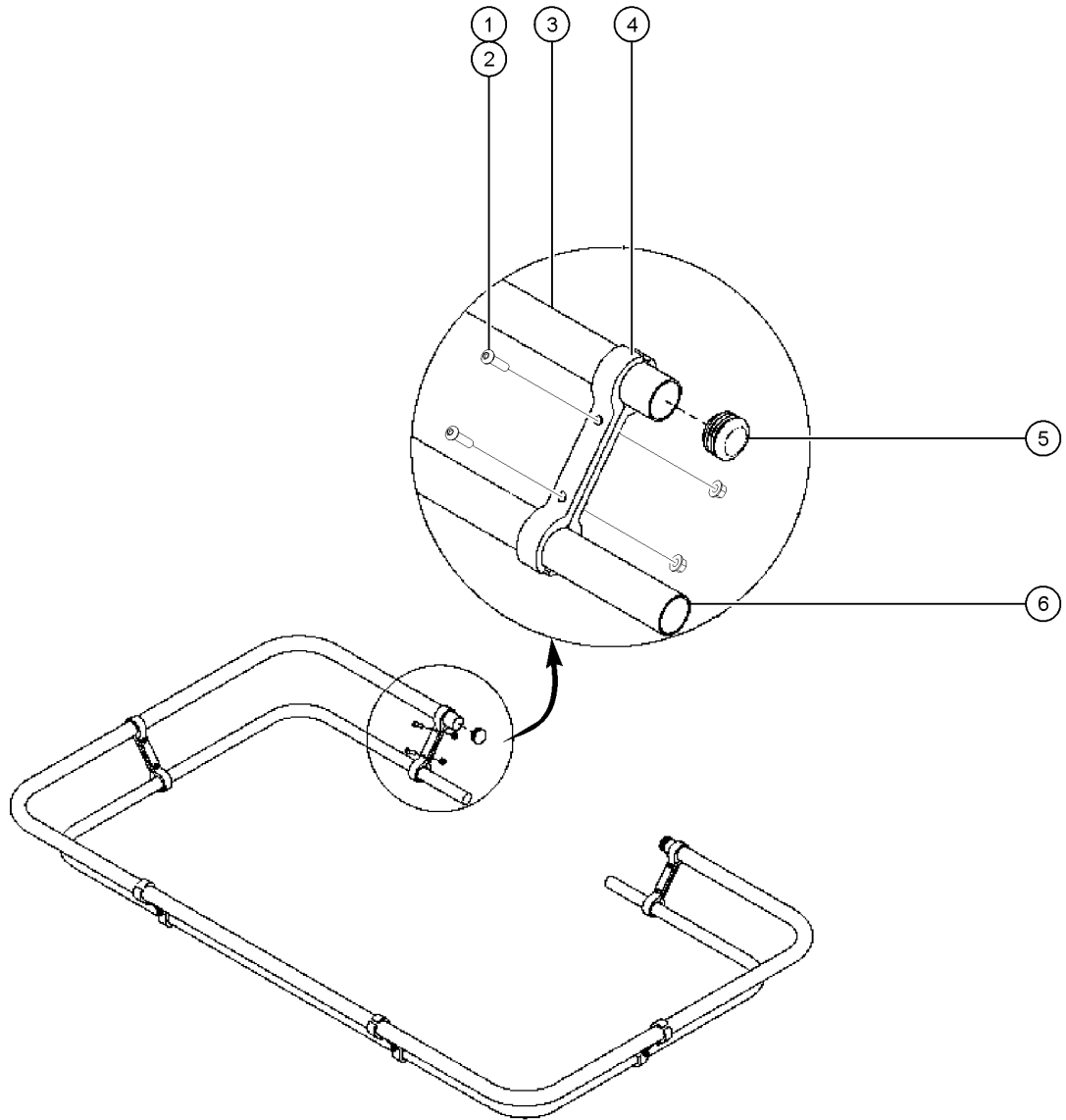


802.1 Aircraft Protection



<i>Item</i>	<i>Part No.</i>	<i>Description</i>	<i>Qty.</i>
22	88390GT	NUT,HEX,M8,PLASTIC	1
23	29261GT	MAGNET,NEODYMIUM,.375 X .100	2
24	56330GT	PLATE,MAGNET MOUNT	1
25	824080GT	SCREW, HHF, 1/4-20 X 1.25, 8, ZAG	
26	88385GT	SPRING, SS, 1/2-EO500-49-4500	4
27	56425GT	SPRING,EXTENSION,.75X4.5	4
28	56328GT	WELDMENT,SENSOR BRACKET	1
29	23404GT	NUTSERT,1/4-20,STEEL CAD PLTD	1
30	1251591GT	BUMPER,3.5OD X 1.5ID X 38.75	1
		4-ft platform	
30B	825210GT	BUMPER,3.5OD X 1.5ID X 48.70	1
		5-ft platform	
31	1252011GT	BUMPER,3.5OD X 1.5 ID X 9.75	1

803.1 Auxiliary Rail Assembly

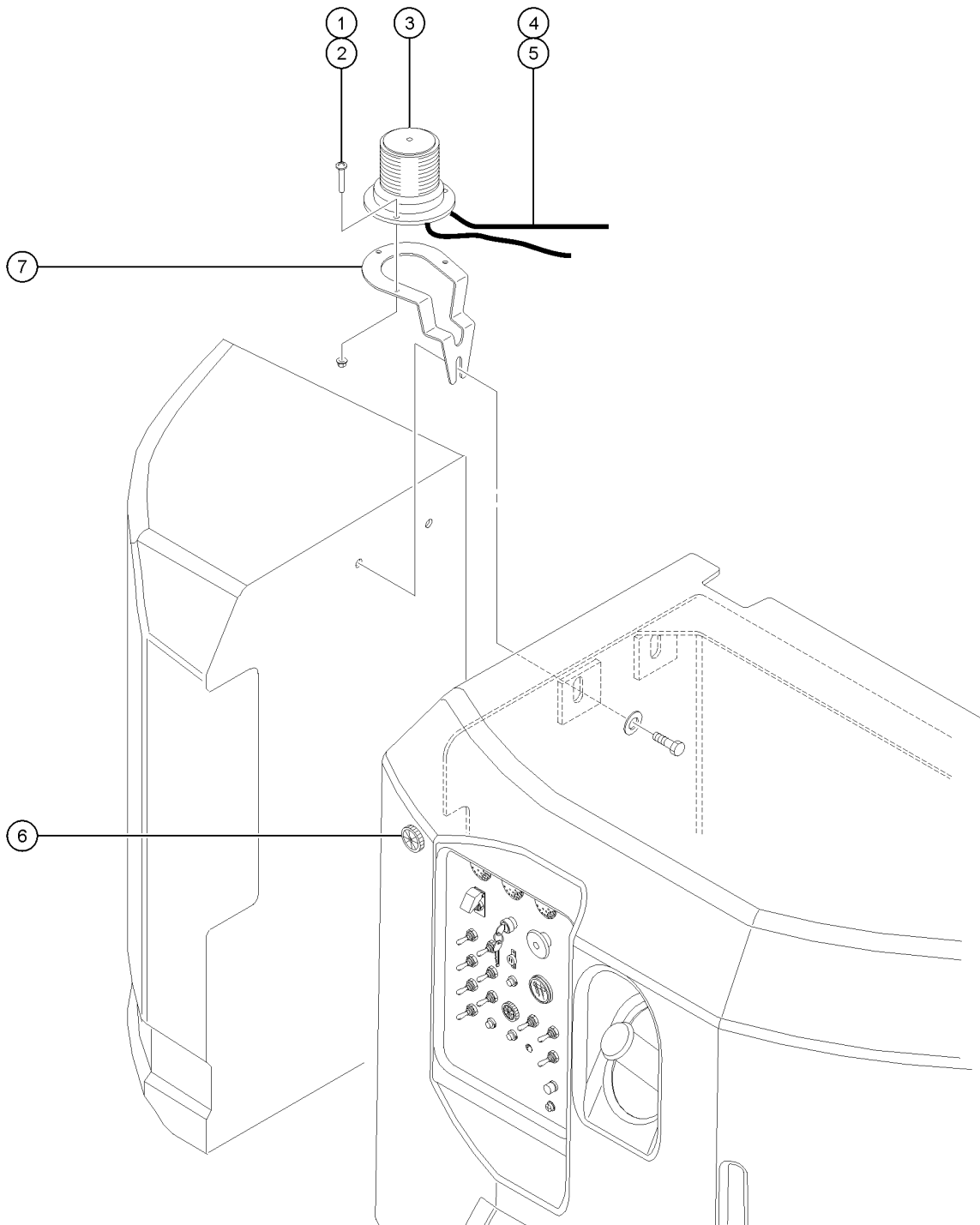


803.1 Auxiliary Rail Assembly

<i>Item</i>	<i>Part No.</i>	<i>Description</i>	<i>Qty.</i>
1	1259715GT	SCREW,BHTC,1/4-20X1,ZAG	12
2	1277924GT	NUT,NYLOCK FLG,1/4-20,F,ZAG	12
3	T112779GT	KIT, AUX. RAIL, 4' PLATFORM	1
		includes items 1, 2, 4, 5	
3B	T112780GT	KIT, AUX. RAIL, 5' PLATFORM	1
		includes items 1, 2, 4, 5	
4	122073GT	SUPPORT, RAILING	12
5	55753GT	BUMPER, PLASTIC, 1.25 O.D.	2
6		Ref. PLAT RAIL ASSY	
		refer to 601.1	



804.1 Flashing Beacon and Alarm

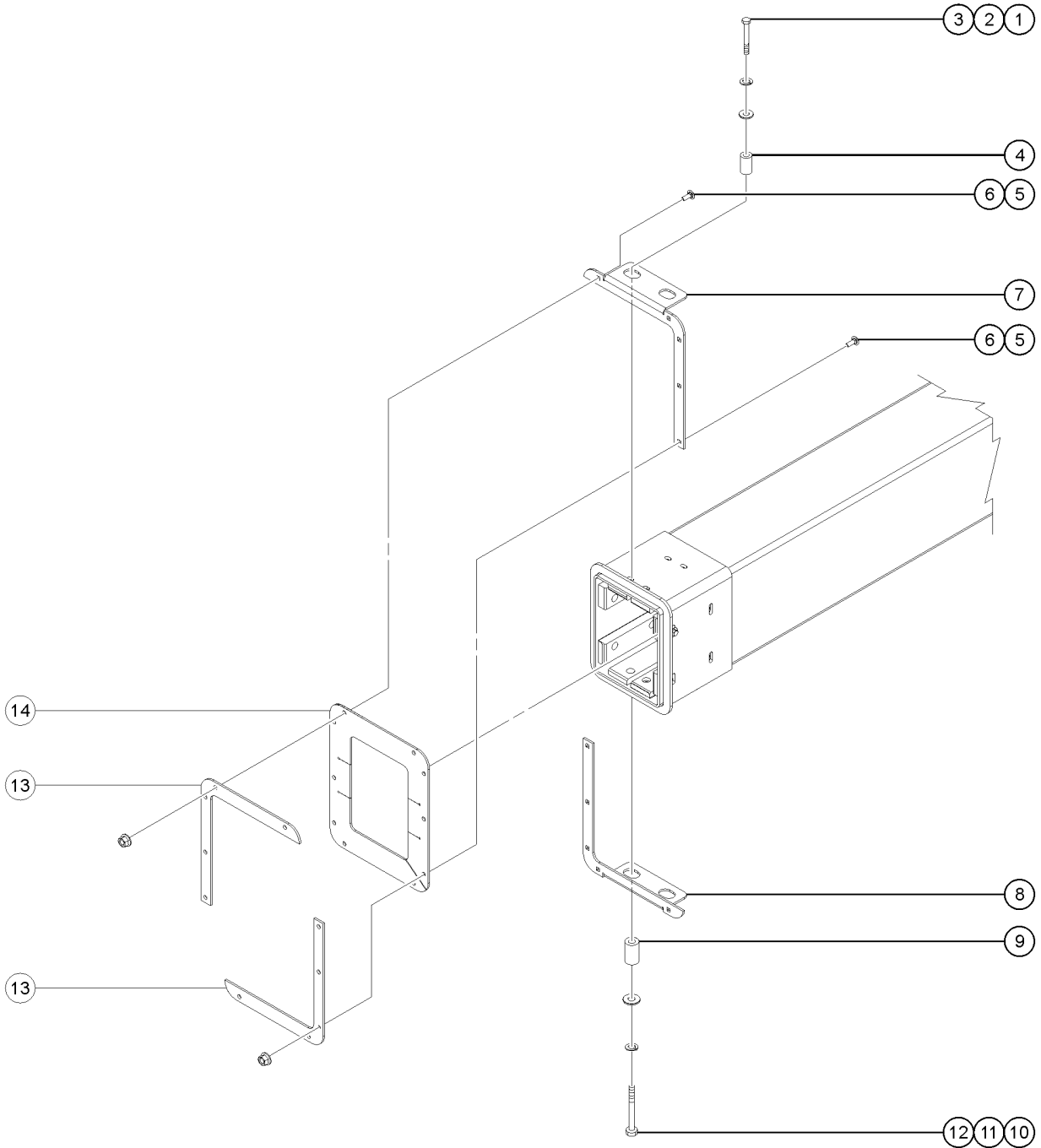


804.1 Flashing Beacon and Alarm

Item	Part No.	Description	Qty.
A-	36816-SGT	ACC. Z34 ALARM PACKAGE DC. Z-34/22N and Z-34/22 DC	1
1	824215GT	SCREW,PHPM,10-32X.75,ZAG	3
2	824032GT	NUT,TL FLG,10-32,F,ZAG	3
3	1307061GT	STROBE,FIREBOLT,10-100VDC,AMB**	1
4	56051GT	WIRE CABLE,16/2,WHT/BLK,SJEOW	62
		Z-34/22N and Z-34/22 DC	
5	40609GT	TERMINAL,FEMALE COUPLER,BLUE	2
6	45462GT	ALARM,CHIME TONE 5-25VDC***	1
		plastic nut not included	
6-	72326GT	NUT,PLASTIC,RING FOR ALARMS	1
7	56289GT	BRACKET,BEACON LIGHT	1
		US part number	
7B	1281332GT	BRACKET,BEACON LIGHT, METRIC	1
		China part number	



805.1 Hostile Environment, Wiper

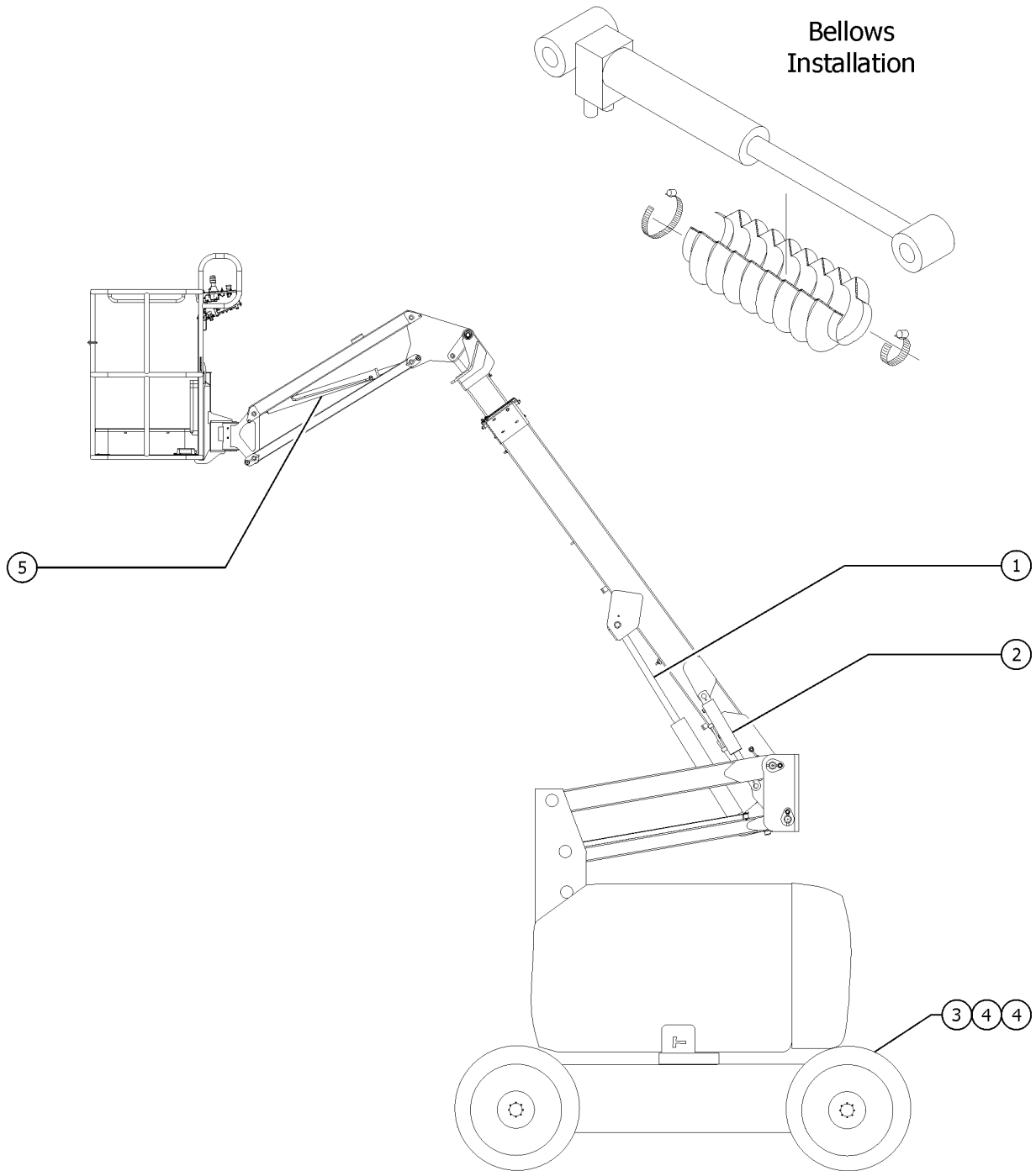


805.1 Hostile Environment, Wiper

<i>Item</i>	<i>Part No.</i>	<i>Description</i>	<i>Qty.</i>
	128677GT	KIT, WIPER	1
1	1252978GT	SCREW,HHC,3/8-16X2.25,8,ZAG	2
2	824110GT	WASHER, LOCK, 3/8, ZAG	2
3	825358GT	WASHER,FLAT,5/16,USS,ZAG	2
4	128852GT	TUBE,RD,STL,DOM,.75X.438X1.25	2
5	824124GT	BOLT, CARRIAGE, 1/4-20 X .75, 5, ZAG	10
6	1277924GT	NUT,NYLOCK FLG,1/4-20,F,ZAG	10
7	128681GT	FORMING, WIPER MOUNT	1
8	128682GT	FORMING, WIPER MOUNT	1
9	119077GT	TUBE,RD,STL,DOM,.75OD X .375ID	2
10	824064GT	SCREW, HHC, 1/4-20 X 2.25, 8, ZAG	2
11	824109GT	WASHER,LOCK,1/4,ZAG	2
12	824113GT	WASHER,FLAT,USS,1/4,ZAG	2
13	128973GT	PLATE,WIPER BACKING	2
14	147181GT	WIPER,PRIMARY BOOM	1



806.1 Hostile Environment, Cylinder Bellows

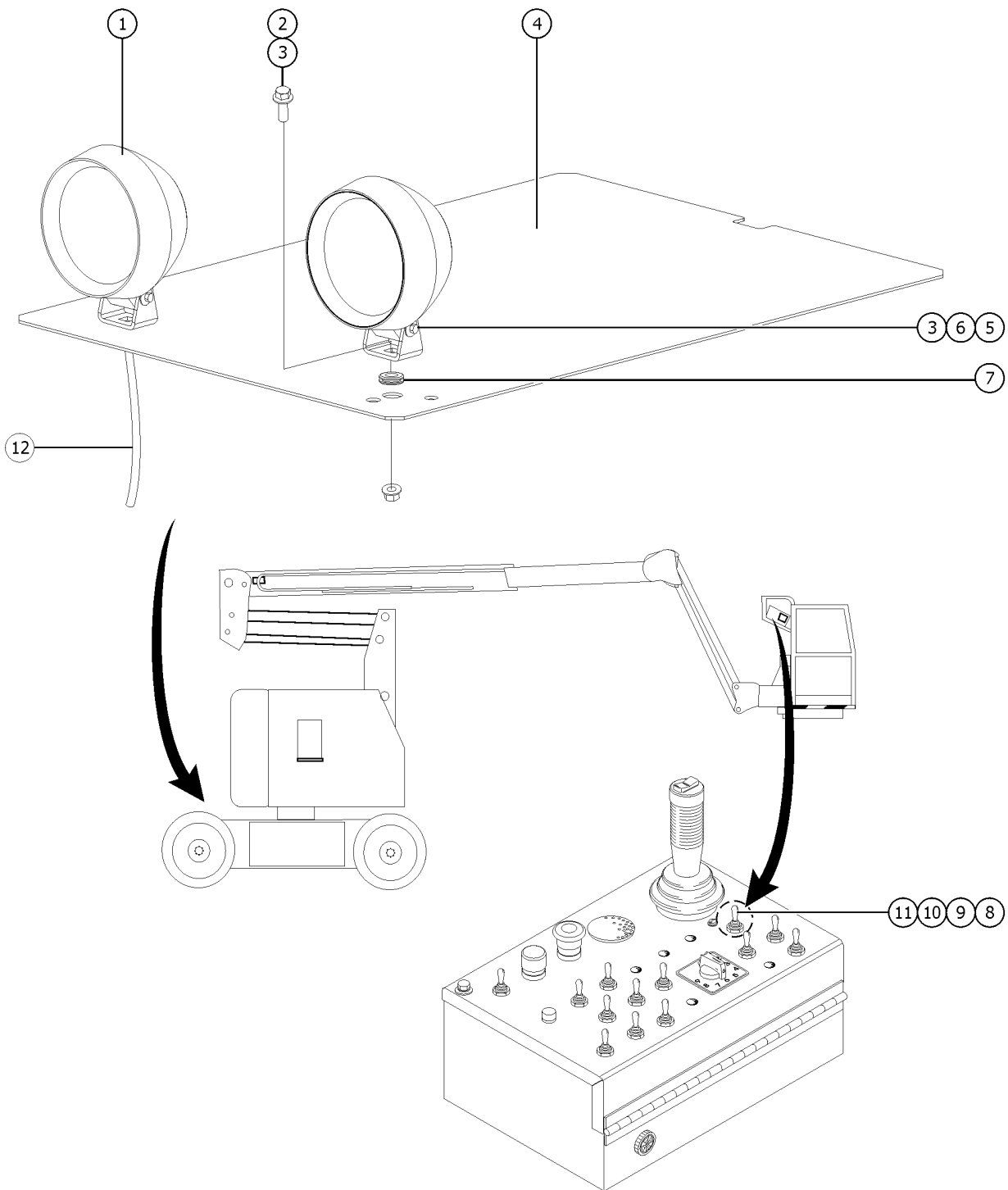


806.1 Hostile Environment, Cylinder Bellows

<i>Item</i>	<i>Part No.</i>	<i>Description</i>	<i>Qty.</i>
A	128838GT	KIT, CYLINDER BELLOWS	
A-	30577GT	COVER,PROTECTIVE,MASTER/SLAVE	1
		not shown	
A-	30489GT	CLAMP,HOSE,3.50	5
		not shown	
A-	30971GT	CLAMP,HOSE,3.00"	1
		not shown	
A-	35434GT	CLAMP,HOSE,2.00***	6
		not shown	
1	94461GT	BELLOWS,PRIMARY/ELEV CYLINDER	2
2	94463GT	BELLOWS,MASTER CYLINDER	1
3	54989GT	BELLOWS,STEERING CYLINDER	1
		not shown	
4	1263699GT	SCREW,HHC,3/8-16X.5,8,ZAG	2
		not shown	
5	94462GT	BELLOWS,JIB CYLINDER	1



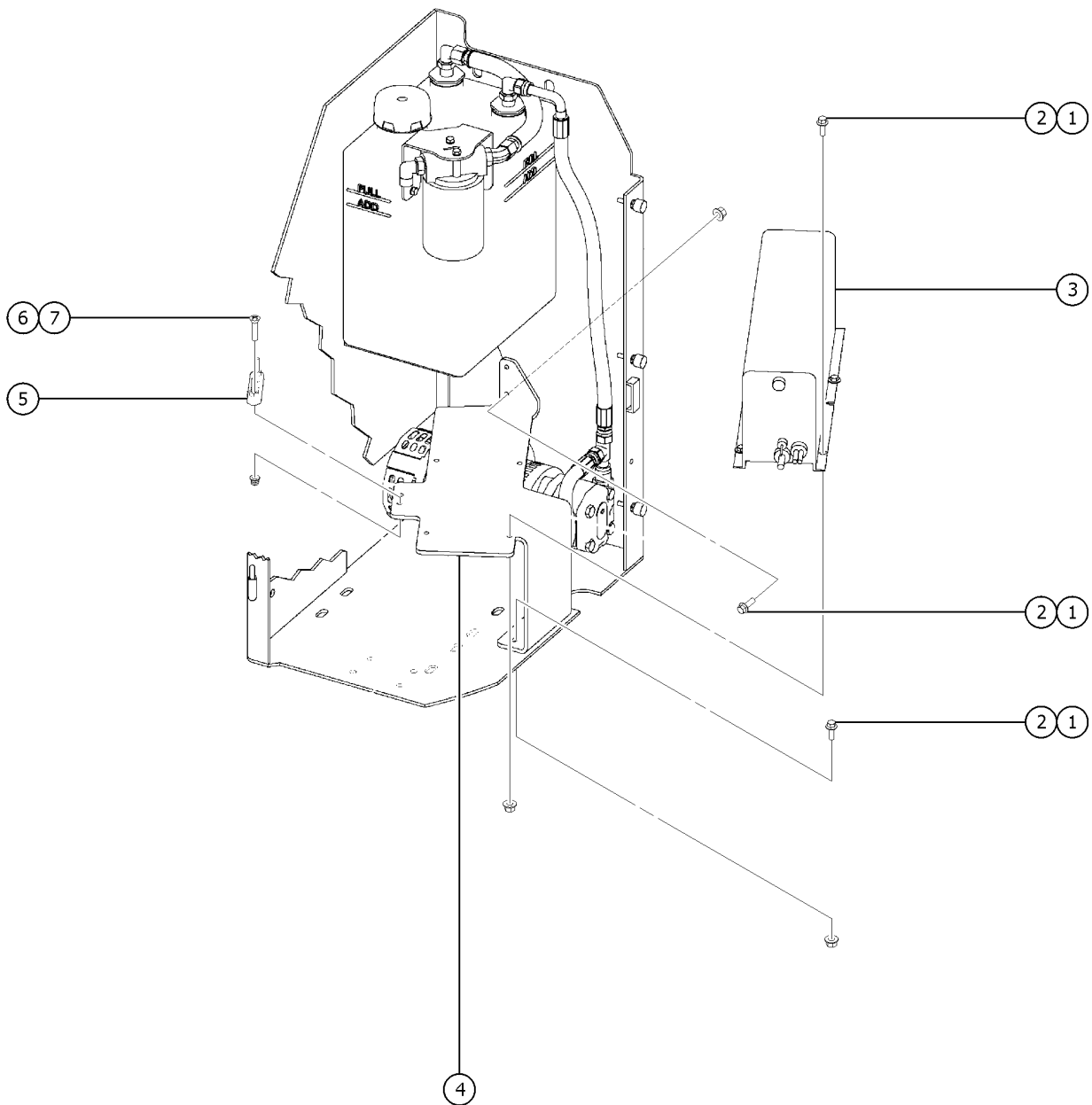
807.1 Drive Light



Item	Part No.	Description	Qty.
A-	823944GT	OPTION,DRIVE LIGHTS,Z34DC	
1	107858GT	WORKLIGHT,48 VOLT	2
2	824085GT	SCREW,HHF,5/16-18X.75,8,ZAG	2
3	824028GT	NUT,TL FLG,5/16-18,G,ZAG	4
4	128968GT	COVER, DR LIGHT OPTION	1
5	825674GT	SCREW, HHC, 5/16-18X2,8,ZAG	2
6	825358GT	WASHER,FLAT,5/16,USS,ZAG	2
7	53517GT	GROMMET,RUBBER .5 X .014 X .75	2
8	78098GT	RELAY,24VDC,40/30A,SLD W/BRKT* not shown	1
8-	54365GT	SCREW,PHIL,PHM,10-32 X .5,SSTL not shown	
8-	824032GT	NUT,TL FLG,10-32,F,ZAG not shown	
9	72867GT	DECAL,LABEL,LIGHTS*** not shown	1
10	128205GT	SWITCH TOGGLE ASSY DPDT 2P MNT	1
10-	27246GT	BOOT,TOGGLE SWITCH,SHORT*	
11	6578GT	CABLE TIE,7 3/8"	2
12	823948GT	HARNESS, DRIVE LIGHTS, 48V includes worklight	1
12-	23083-SGT	FUSE HOLDER,WATERPROOF	1
12C-	27489GT	FUSE,7 AMP	1
12C-	823226GT	POWER RELAY, 24V COIL	1



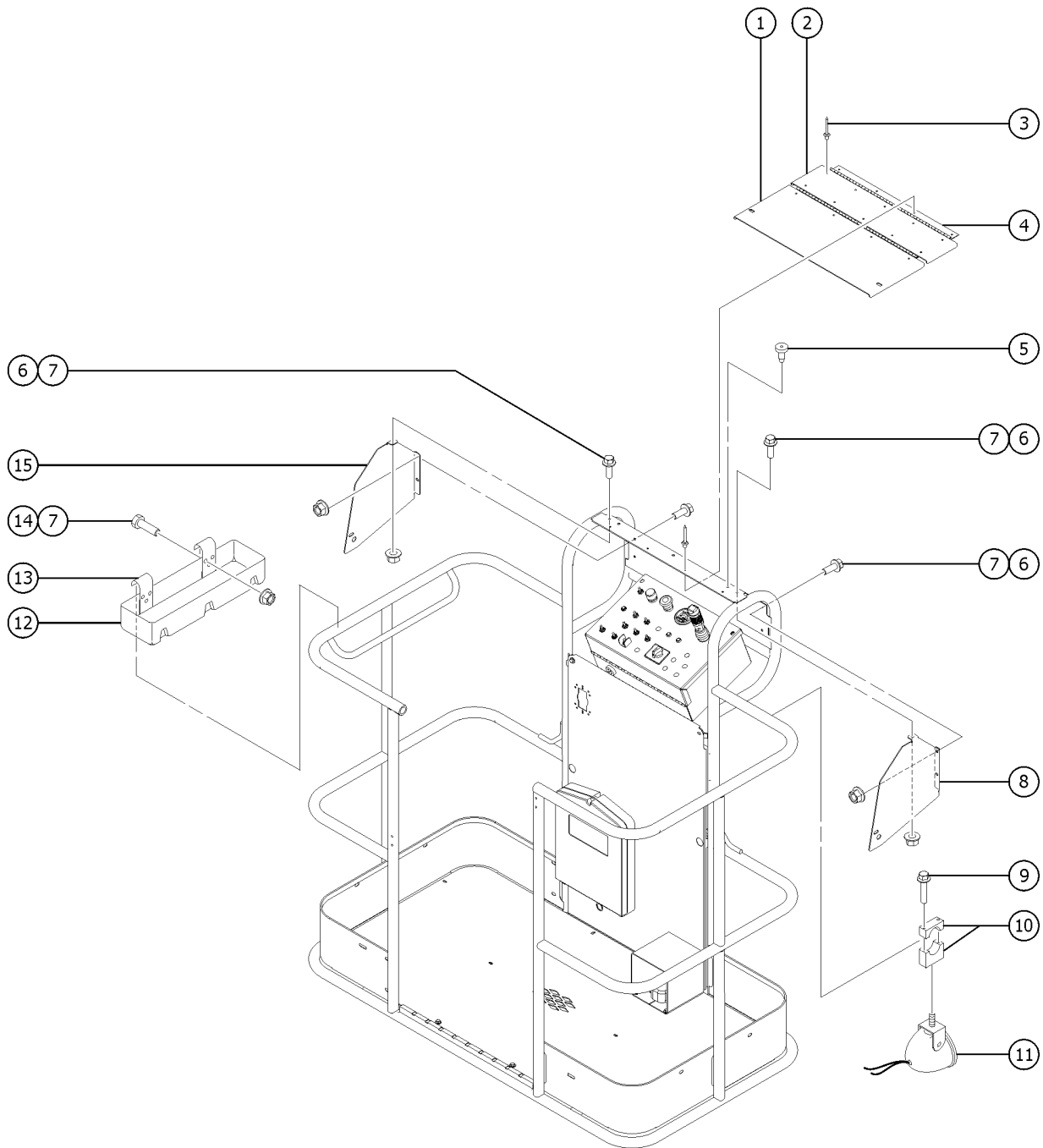
808.1 Inverter, 120V



<i>Item</i>	<i>Part No.</i>	<i>Description</i>	<i>Qty.</i>
A-	78098GT	RELAY,24VDC,40/30A,SLD W/BRKT*	1
B-	32149GT	WELDING CABLE #2 RED	72
C-	66717GT	FUSE BLOCK, ANN & ANL FUSE	1
D-	36355GT	FUSE,100 AMP,VERY FAST ACTING	1
1	824079GT	SCREW,HHF,1/4-20X1,8,ZAG	8
2	1277924GT	NUT,NYLOCK FLG,1/4-20,F,ZAG	8
3	150026GT	INVERTER,48VDC,120VAC/60HZ	1
4	128102GT	FORMING, INVERTER MT.	1
5	66717GT	FUSE BLOCK, ANN & ANL FUSE	1
6	824225GT	SCREW,FHPM,10-32X.75,ZAG	2
7	23405GT	NUTSERT,10-32 STEEL CAD PLTD	2



809.1 Platform Control Box Cover, Tool Tray and Work Light

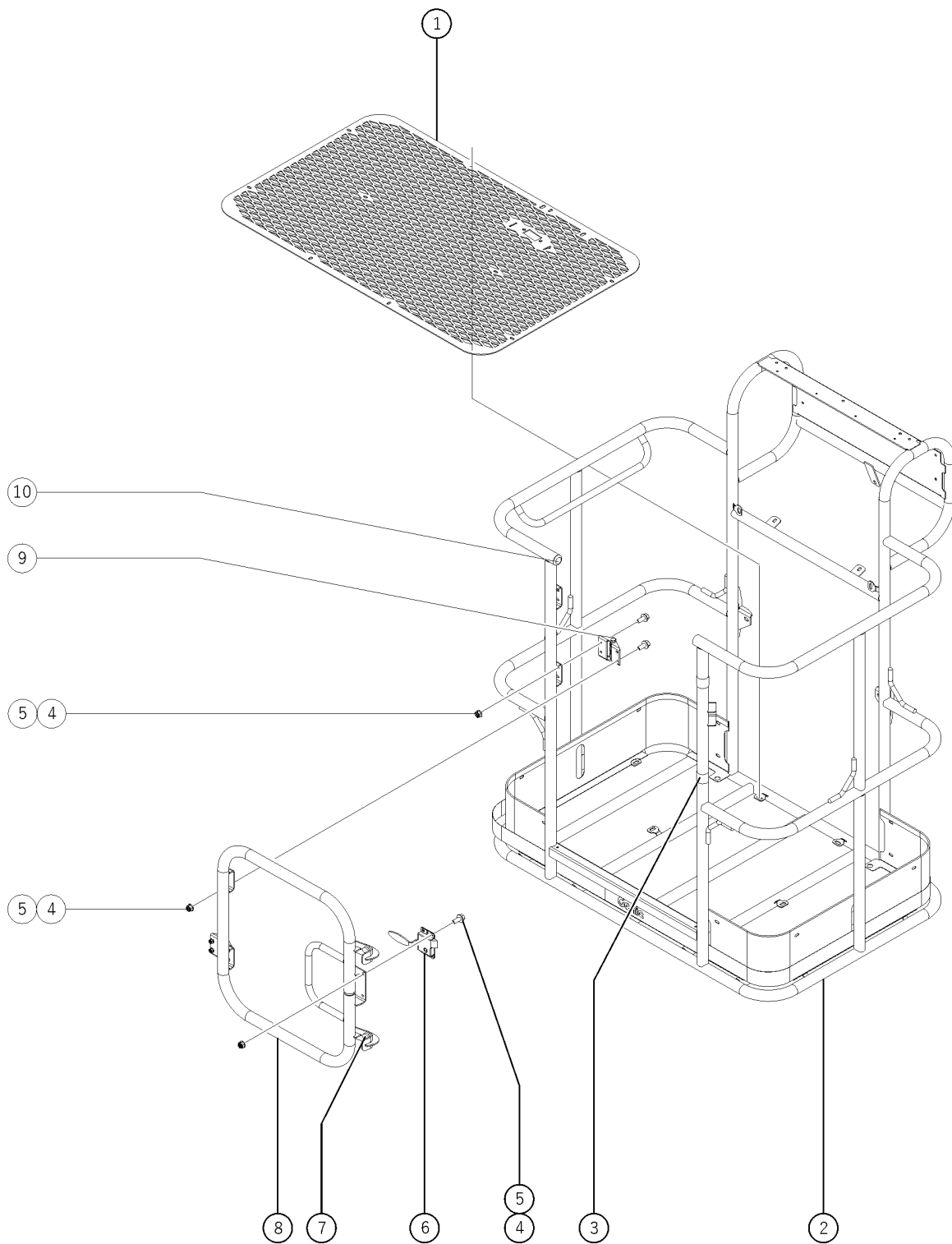


809.1 Platform Control Box Cover, Tool Tray and Work Light

Item	Part No.	Description	Qty.
A-	101649GT	OPTION,CONTROL BOX COVER includes items 1-8, 15	1
B-	823942GT	OPTION,WORK LIGHTS,48V includes items 9-11	1
C-	9599-SGT	TOOL TRAY ACCESSORY*** includes items 7, 12-14	1
1	101679GT	LID,CONTROL BOX COVER LID,CONTROL BOX COVER	1
2	101678GT	LID,CONTROL BOX COVER LID,CONTROL BOX COVER	1
3	87085GT	RIVET,ALUM,P, .188 X .25 RIVET,ALUM,P, .188 X .25	18
4	77860GT	HINGE,CONTROL BOX HINGE,CONTROL BOX	2
5	34619GT	BUMPER,RUBBER*** BUMPER,RUBBER***	6
6	824078GT	SCREW,HHF,1/4-20X.75,8,ZAG SCREW,HHF,1/4-20X.75,8,ZAG	
7	1277924GT	NUT,NYLOCK FLG,1/4-20,F,ZAG NUT,NYLOCK FLG,1/4-20,F,ZAG	
8	101676GT	CONTROL BOX COVER, RH CONTROL BOX COVER, RH	1
9	824081GT	SCREW, HHF, 1/4-20 X 1.5, 8, ZAG SCREW, HHF, 1/4-20 X 1.5, 8, ZAG	2
10	35956GT	BRACKET,WORK LIGHT MOUNT 5/16" BRACKET,WORK LIGHT MOUNT 5/16"	2
11	107858GT	WORKLIGHT,48 VOLT WORKLIGHT,48 VOLT	2
11-	823226GT	POWER RELAY, 24V COIL POWER RELAY, 24V COIL	
12	9599-SGT	TOOL TRAY ACCESSORY*** TOOL TRAY ACCESSORY***	1
13	7746P-SGT	TOOL TRAY BRCKT, GRAY,SERVICE TOOL TRAY BRCKT, GRAY,SERVICE	2
14	824059GT	SCREW, HHC, 1/4-20 X .75, 8, ZAG SCREW, HHC, 1/4-20 X .75, 8, ZAG	6
15	101677GT	CONTROL BOX COVER, LH CONTROL BOX COVER, LH	1



810.1 Platform Half Mesh, Swing Gate and Pipe Cradle

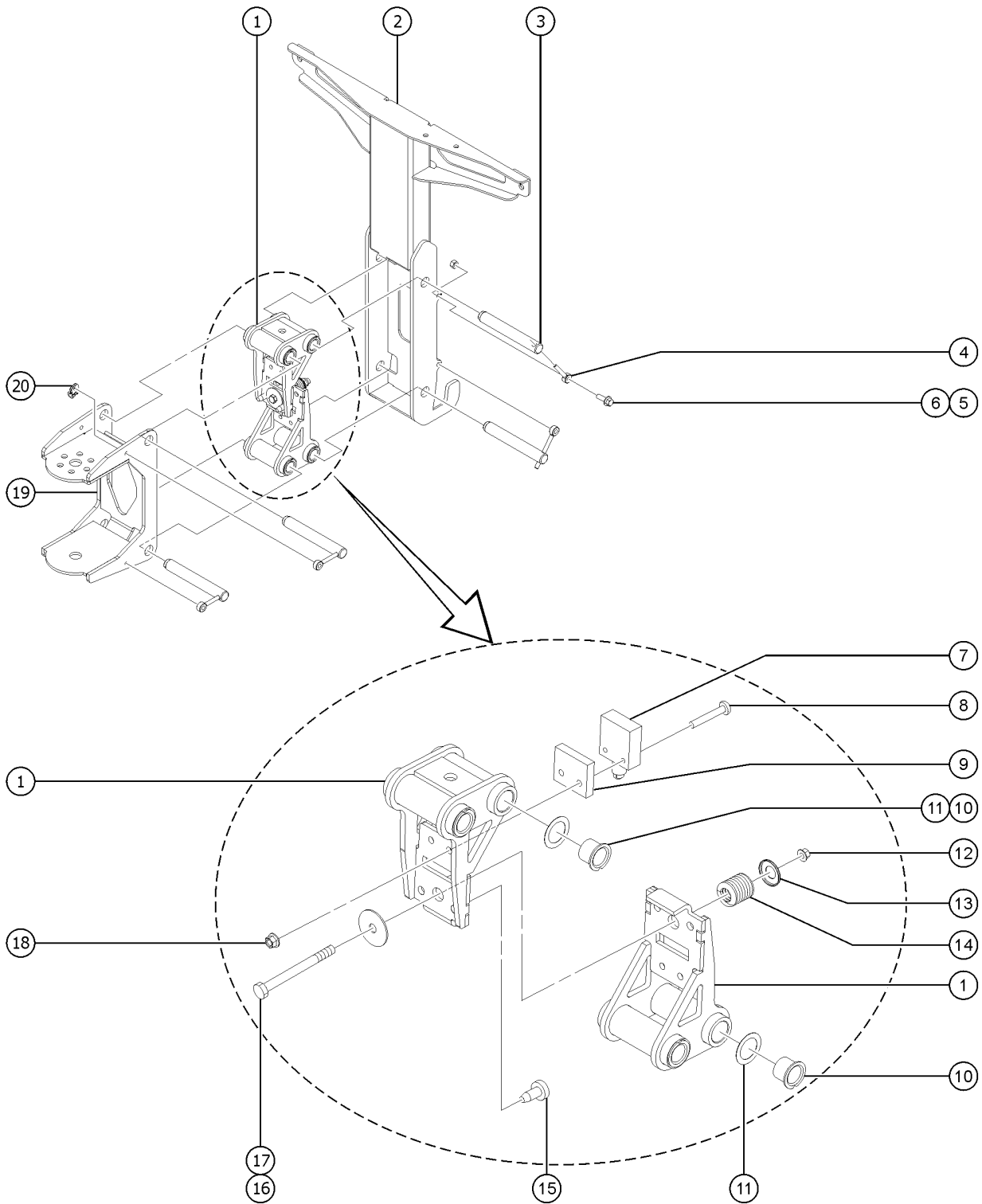


810.1 Platform Half Mesh, Swing Gate and Pipe Cradle

Item	Part No.	Description	Qty.
A-	1276940GT	ASSY,5' PLAT WELDMENT W/SWING GATE	
1		Ref. FLOORING, PLATFORM	1
		(refer to 601.1)	
2	1298605GT	WELDMENT, PLATFORM, SWING GATE,5FT	1
3	T112773GT	TAPE, PROTECTIVE MASK	2
4	1256855	WASHER FLAT BONDED RUB	
5	1277924GT	NUT,NYLOCK FLG,1/4-20,F,ZAG	
		(refer to 309.1)	
6	1267747GT	LATCH, SWING GATE	1
		(refer to 401.1)	
7	43392GT	BUMPER,BATTERY BOX & RAILS	2
8	1276939GT	WELDMENT, SWING GATE, 4' & 5' PLAT	1
9	104804GT	HINGE, SPRING, LONG LEG	2
10	55753GT	BUMPER, PLASTIC, 1.25 O.D.	2



811.1 Platform Overload, CE and AUS

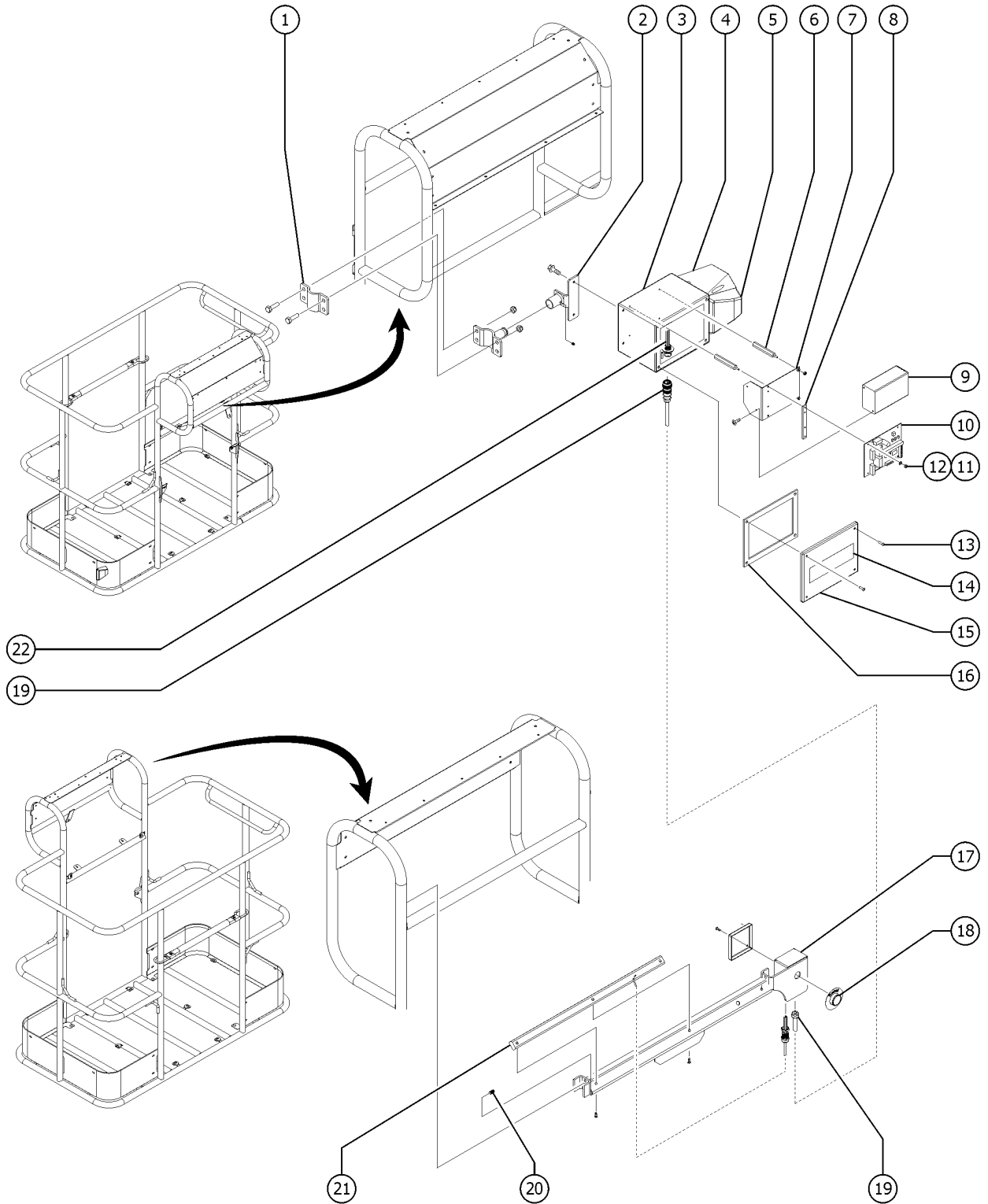


811.1 Platform Overload, CE and AUS

Item	Part No.	Description	Qty.
	121848GT	ASSY,LS,LOAD SENSE,38.5 IN	1
1	94191GT	WELDMENT,LOAD SUPPORT	2
2	94176GT	WELDMENT,PLATFORM SUPPORT	1
		US part number	
2B	1282084GT	WELDMENT,PLATFORM SUPPORT, METRIC	1
		China part number	
3	61726GT	PIN,0.75DIA X 5.75LG,CHAMFER	4
4	825020GT	ROD END,.250X2.75,ZAG	4
5	824079GT	SCREW,HHF,1/4-20X1,8,ZAG	4
6	824024GT	NUT,TL,1/4-20,C,ZAG	4
7	61973GT	SWITCH,ROLLER PLUNGER LIMIT	1
8	824216GT	SCREW, PHPM, 10-32 X 1.5, ZAG	2
9	61972GT	MOUNT,SWITCH	1
10	25685GT	BEARING,GARLOCK,12FDU12	8
11	110789GT	WASHER,SHIM .0151 THK.	8
12	824029GT	NUT, TL FLG, 3/8-16, G, ZAG	1
13	824208GT	RETAINER,SPRING,1.21X.375,ZAG	1
14	61974GT	SPRING,COMP,1" OD,232 LB/IN	1
15	34619GT	BUMPER,RUBBER***	2
16	824070GT	SCREW,HHC,3/8-16X3.25,8,ZAG	1
17	1268468GT	WASHER,FLAT,.406X1.50X.125,ZAG	1
18	824032GT	NUT,TL FLG,10-32,F,ZAG	2
19	94170GT	WELDMENT,ROTATOR SUPPORT	1
		US part number	
19B	1282083GT	WELDMENT,ROTATOR SUPPORT, METRIC	1
		China part number	
20	45470GT	CLAMP,0.31,#5 X 1/4,RUB CUSH	1



812.1 Operators Protection Alarm (to January 2017)

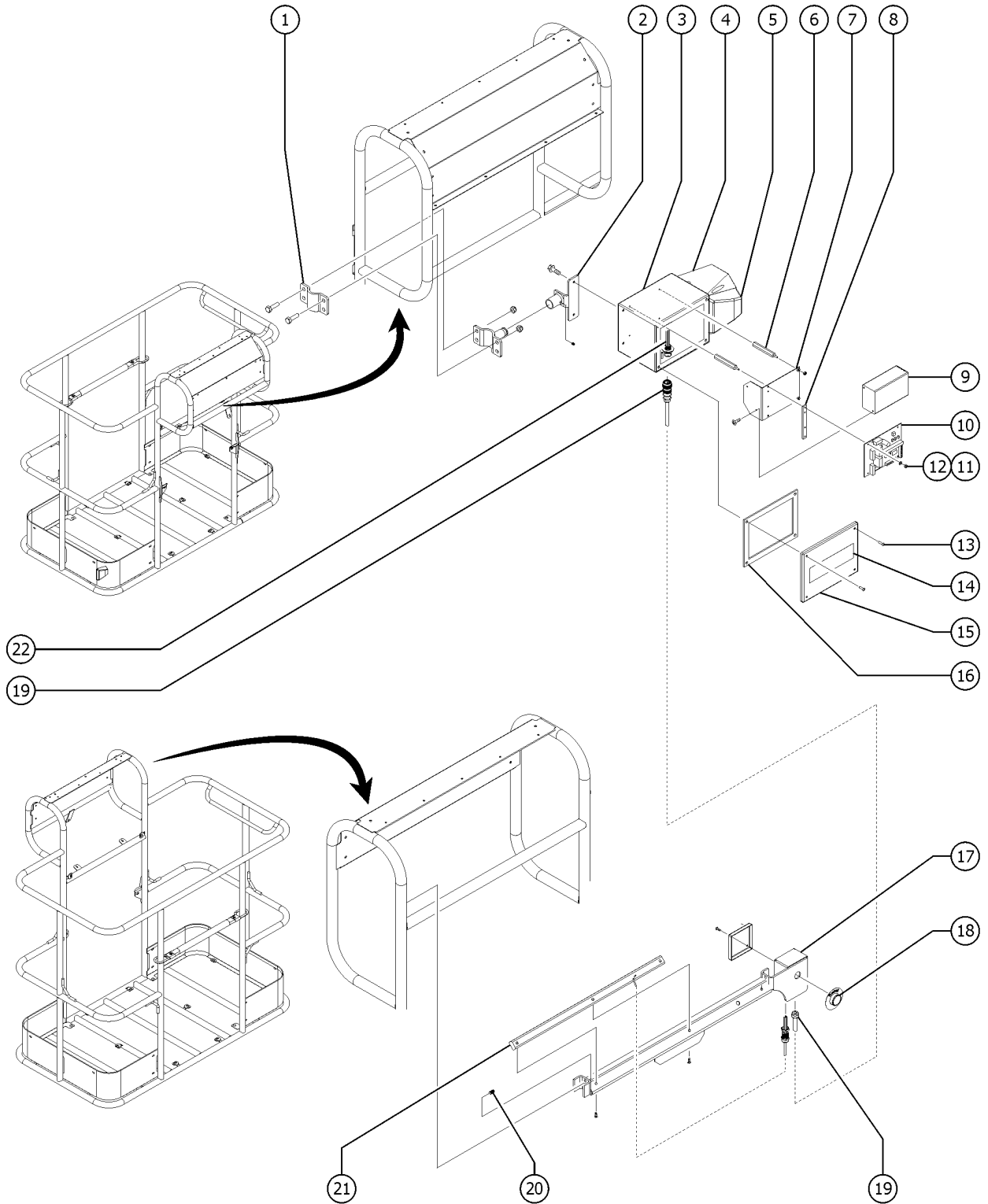


812.1 Operators Protection Alarm (to January 2017)

Item	Part No.	Description	Qty.
A	1255567GT	KIT,OPA,HW,24V,SB	1
A-	1255471GT	ASSEMBLY,OPA,4'-5' PLAT	
A-	1255030GT	PLUG,BLANKING	
A-	1255858GT	HARN,PBOX,OPA,HW,24V	
1	1256149GT	CLAMP,HAND RAIL,OPA,4'-5' includes fasteners	1
2	1255026GT	ASSY,BRKT,CNTRL BOX W/FASTNRS	1
3	1255018GT	BASE ENCLOSURE,RED,OPA	1
4	1255021GT	SOUNDER,MIDI,OPA	1
5	1255037GT	SOUNDER LENS, OPA, BLUE (standard lens fitted to OPA)	1
5B	1270116GT	SOUNDER LENS, OPA, RED	1
5C	1270117GT	SOUNDER LENS, OPA, AMBER	1
5D	1270118GT	SOUNDER LENS, OPA, CLEAR	1
6	1255028GT	STAND OFF,CONTROL UNIT	4
7	1255024GT	BRACKET,CONTROL UNIT	1
8	1255025GT	SPACER,HEAT SINK	1
9	1255023GT	ASSY,MODULE,CONTROL UNIT,OPA	1
10	1255022GT	MODULE,CONTROL UNIT,PCB,OPA	1
11	1255067GT	NUT,M4 NYLOCK	4
12	1255066GT	WASHER,M4 NYLON	4
13	1255038GT	SCREW,M5X16 BHD	4
14	1255027GT	WASHER,M5 NYLON	4
15	1255890GT	DECAL,COSMETIC,GENIE	1
16	1255020GT	LID ENCLOSURE,RED,OPA	1
17	1255019GT	GASKET,ENCLOSURE	1
18	1255488GT	ASSEMBLY,TAPESWITCH 4-ft and 5-ft platforms; includes j-box and fasteners	1
19	1255036GT	ASSEMBLY RESET SWITCH	1
20	1255035GT	ASSEMBLY,CABLE,TAPESWITCH	1
21	1255889GT	DECAL,SYMBOL-READ THE MANUAL	1



812.1 Operators Protection Alarm (to January 2017)

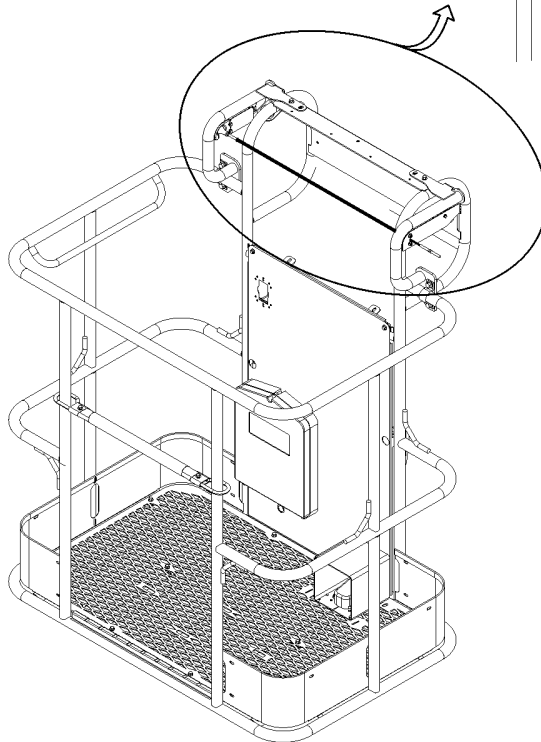
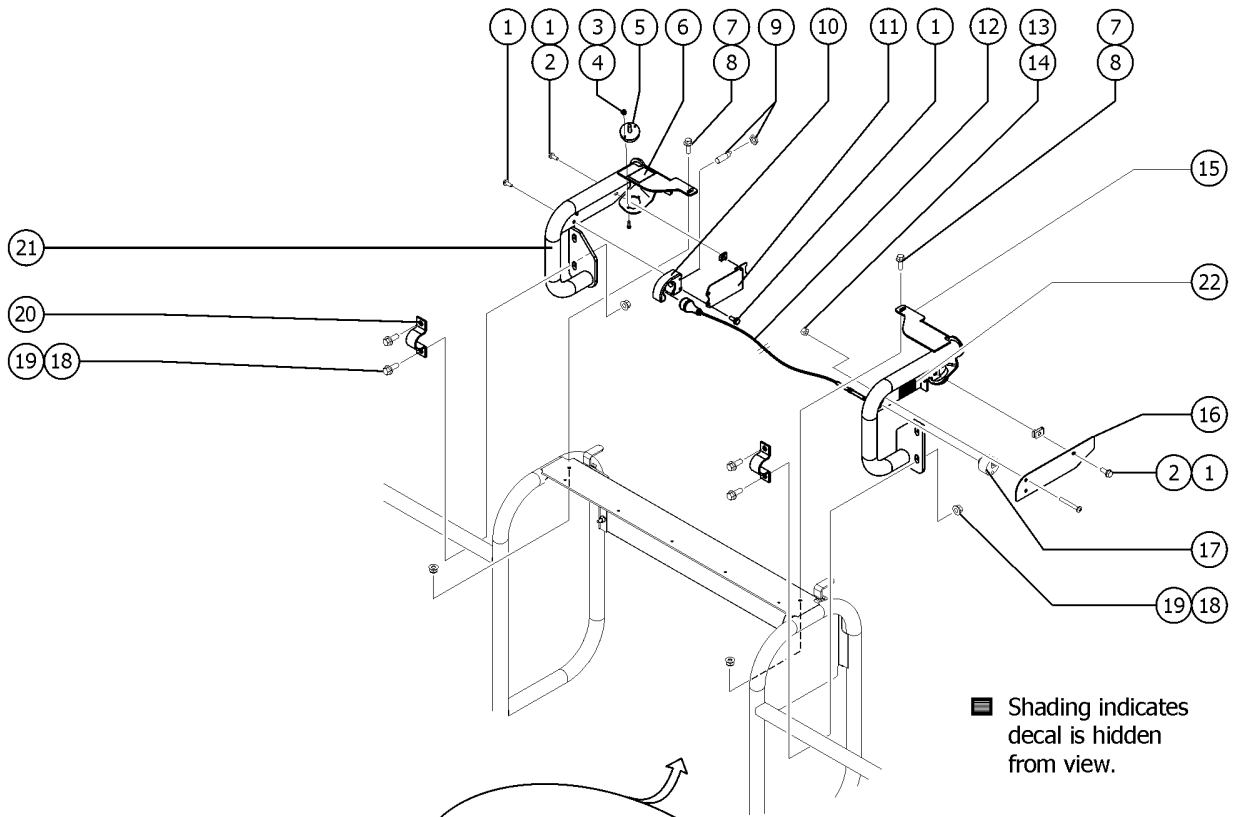


812.1 Operators Protection Alarm (to January 2017)

<i>Item</i>	<i>Part No.</i>	<i>Description</i>	<i>Qty.</i>
22	1255489GT	SENSOR,RUBBER EDGE 4-ft and 5-ft platforms	1
23	1255033GT	HARN,PIGTAIL,TAPESWITCH,OPA	1



812.2 Lift Guard Contact Alarm (from January 2017)

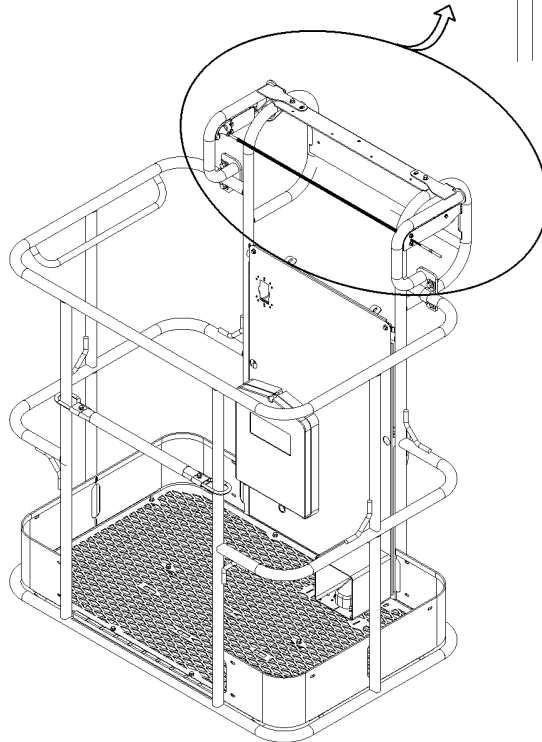
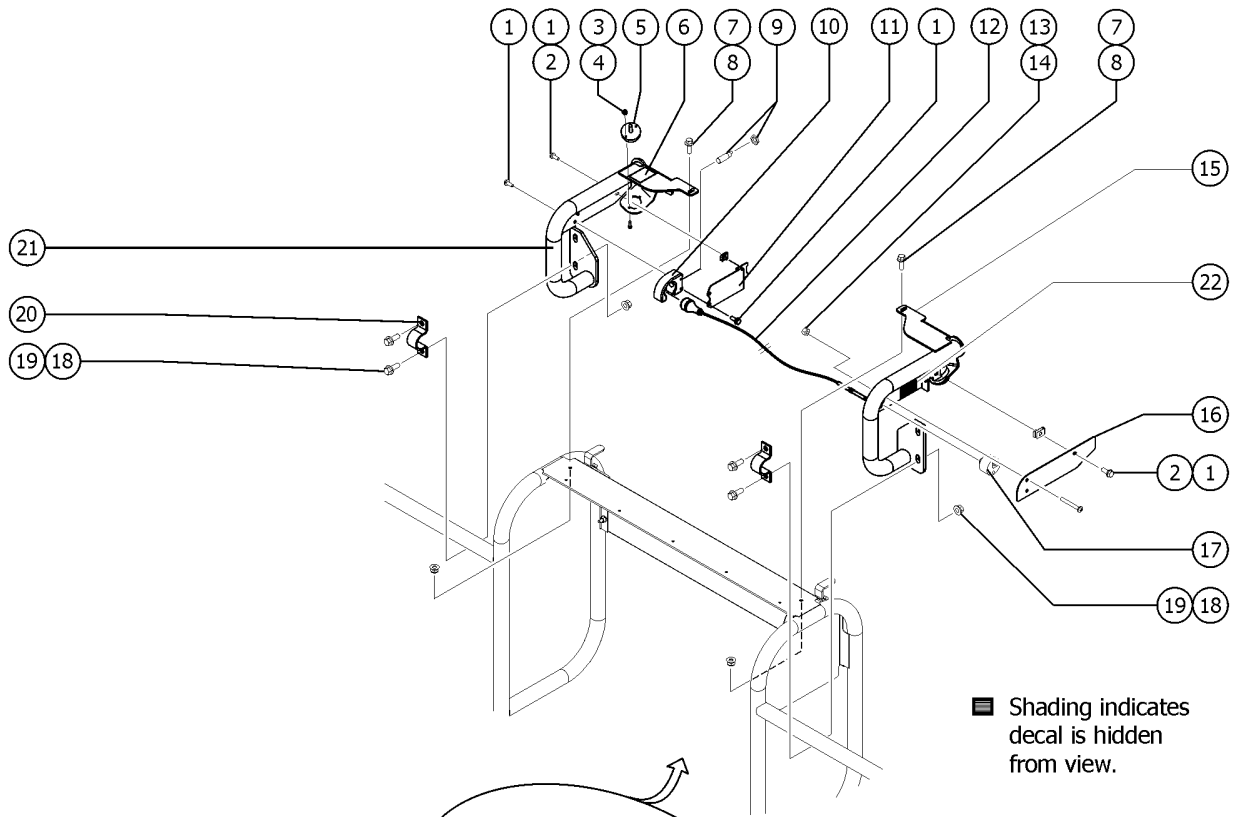


812.2 Lift Guard Contact Alarm (from January 2017)

Item	Part No.	Description	Qty.
A-		From January 2017, this option became a standard installation on all models unless the customer specifically request not to have it installed	
B-	1279136GT	KIT,LIFT GUARD CONTACT ALARM,4'-5' PLATFORM	
C-	1278450GT	HARNESS, CONTACT ALARM, Z30/34DC	
D-	78098GT	RELAY,24VDC,40/30A,SLD W/BRKT*	
E-	1278121GT	MODULE, PLUS+1, OPA2 located inside the Platform Control Box	
1	1264934GT	SCREW,HHF,10-24X.5	
2	73575GT	SPRING CLIP,10-24,.025-.125X.468,ZAG	
3	12344GT	NUT,NYLOCK,6-32	
4	1256859GT	SCREW,PHPM,6-32X7/8,ZAG	
5	1278111GT	ASSEMBLY, LIGHT, CONTACT ALARM	2
5B	1285850GT	ASSEMBLY,AMBER LIGHTS,CONTACT	
6	1278542GT	DECAL, INSTRUCTION, CONTACT ALARM	
7	824078GT	SCREW,HHF,1/4-20X.75,8,ZAG	
8	1277924GT	NUT,NYLOCK FLG,1/4-20,F,ZAG	
9	1278119GT	ASSEMBLY, SENSOR, PROX, CONTACT ALARM	1
10	1278433GT	ASSY SENSOR W/HOUSING (Includes holder item 1277877 and sensor part 1278119)	
10-	1277877GT	HOLDER, SENSOR	1
11	1277873GT	FORMING, SENSOR HOLDER	1
12	1278417GT	ASSEMBLY, OPA CABLE, SMALL	1
12-	1278124GT	MAGNET, 1/4-20, 15 LB. Part of assembly 1278417	
12-	1278459GT	OPA WIRE ASSY, SMALL Part of assembly 1278417	
12-	1278368GT	GRIP, CABLE Part of assembly 1278417	
12-	1261184GT	NUT,1/4-20,8,ZAG Part of assembly 1278417	
13	825352GT	SCREW,PHPM,10-32X1.25,ZAG	
14	1264261GT	NUT,SERRATED,10-32,ZAG	
15	1278175GT	WELDMENT, RIGHT OPA, SMALL	1
16	1277875GT	PLATE, CABLE AND WIRE COVER	1
17	1277876GT	GUIDE, CABLE	1



812.2 Lift Guard Contact Alarm (from January 2017)

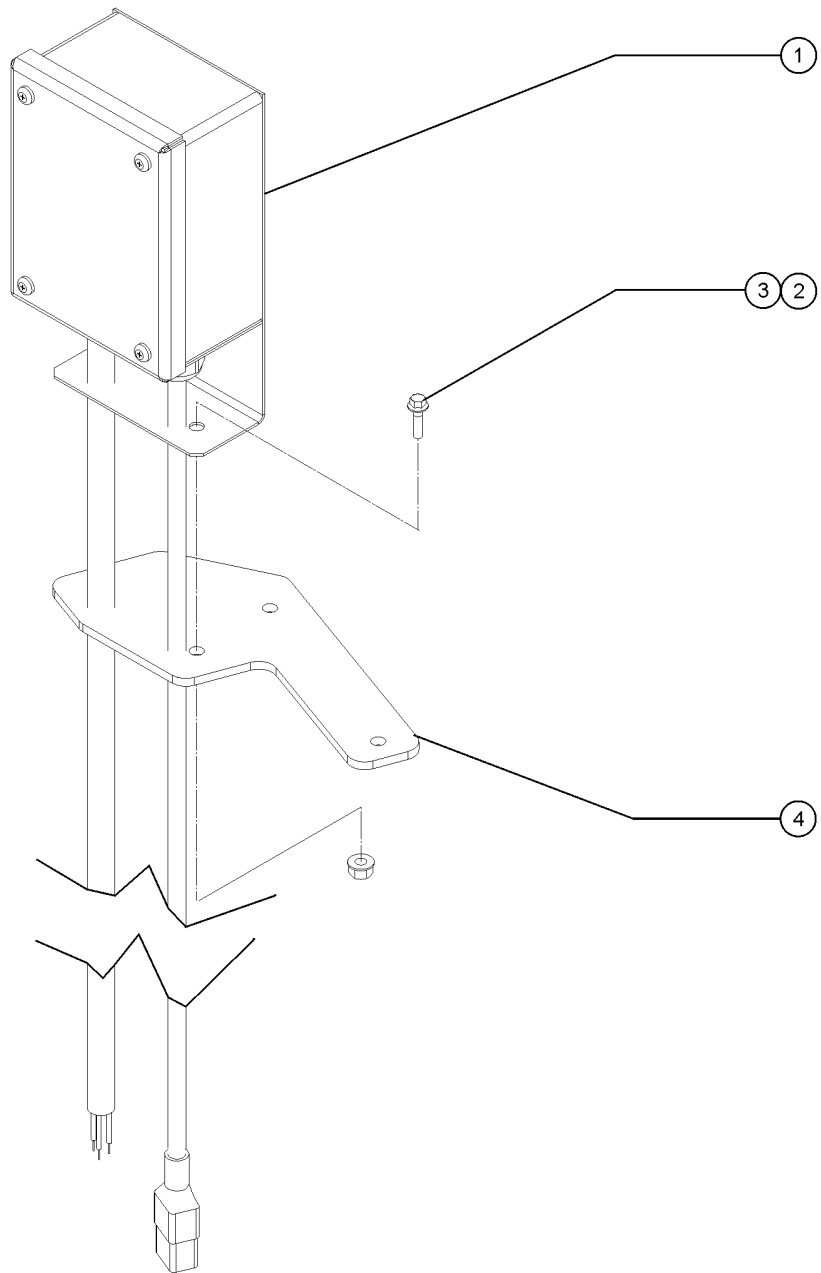


812.2 Lift Guard Contact Alarm (from January 2017)

<i>Item</i>	<i>Part No.</i>	<i>Description</i>	<i>Qty.</i>
18	1274322GT	NUT,NYLOCK FLG,3/8-16,F,ZAG	
19	824090GT	SCREW,HHF,3/8-16X1,8,ZAG	
20	1278363GT	CLAMP, 1.25 INCH TUBE	2
21	1278177GT	WELDMENT, LEFT OPA, SMALL	1
22	1278982GT	DECAL, INSTRUCTION, ACTUATOR SWITCH SOCKET	1



813.1 Charger Protector

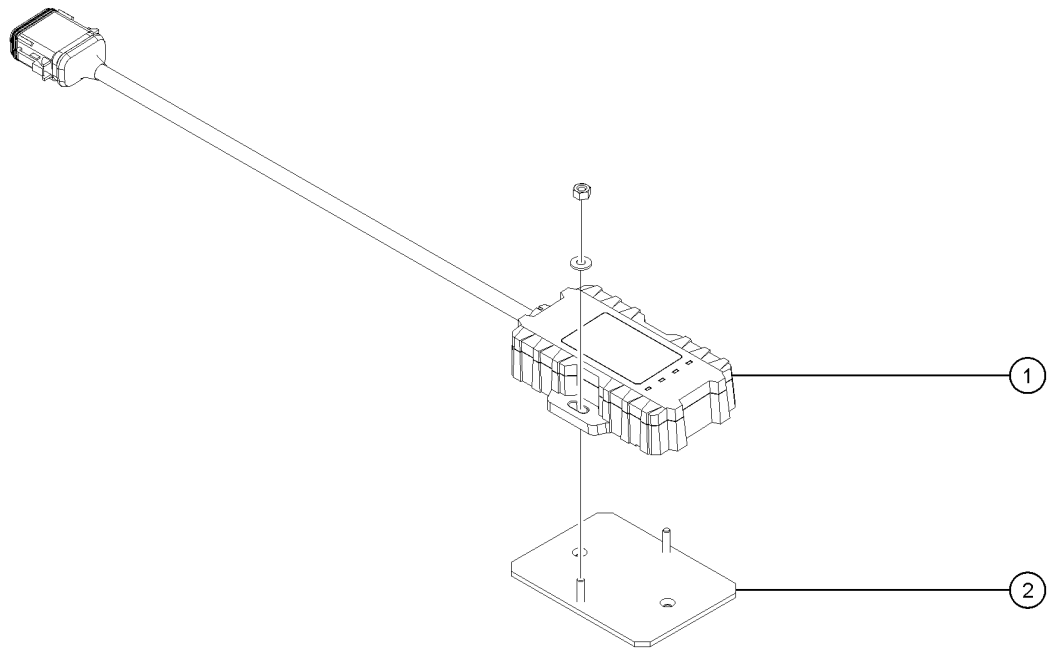


813.1 Charger Protector

<i>Item</i>	<i>Part No.</i>	<i>Description</i>	<i>Qty.</i>
1	1272235GT	ASSY, VOLTAGE PROTECTOR BOX, Z30/34	1
2	824079GT	SCREW,HHF,1/4-20X1,8,ZAG	2
3	1277924GT	NUT,NYLOCK FLG,1/4-20,F,ZAG	2
4	1276038GT	PLATE,CHARGER PROTECTOR	1
		US part number	
4B	1281325GT	PLATE,CHARGER PROTECTOR, METRIC	1
		China part number	



814.1 Telematics Option

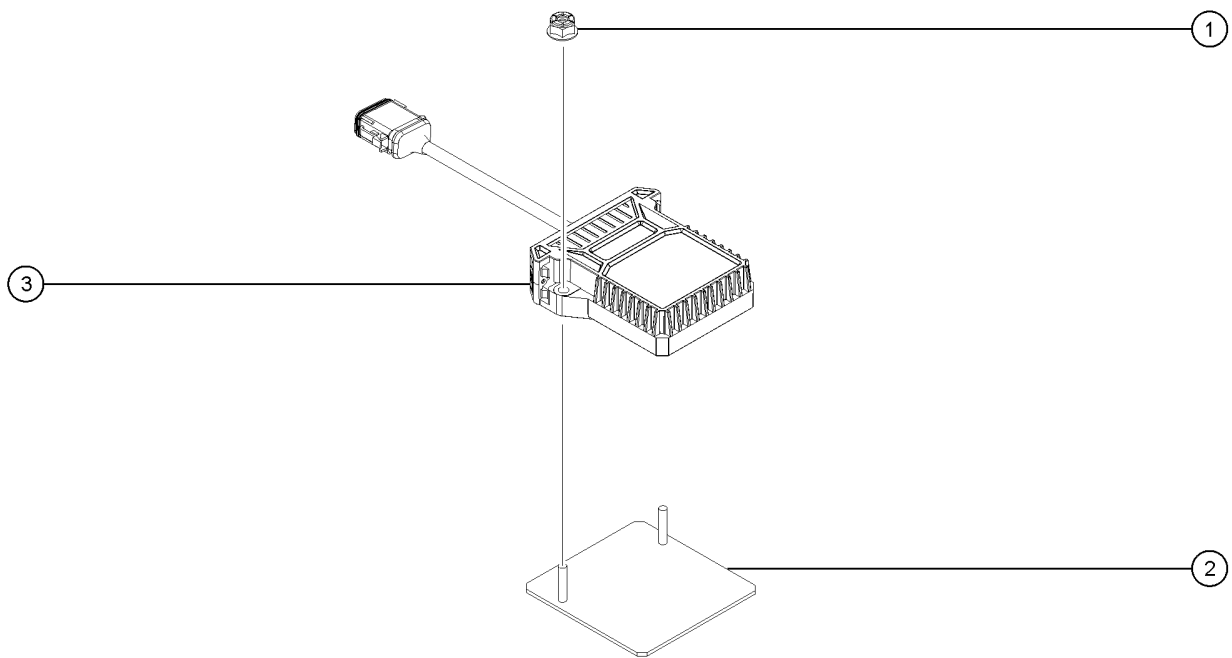


814.1 Telematics Option

<i>Item</i>	<i>Part No.</i>	<i>Description</i>	<i>Qty.</i>
-	1293476GT	HARNESS, RETROFIT, 24" M7 for units after SN Z3415D-101 for first time insulation, must order this Harness with one of the models 1289520GT, 1289521GT, 1289522GT, or 1289523GT	1
1	1289520GT	MODULE, TELEMATICS, ZTR, M7, NORTH AMERICA	1
1B	1289521GT	MODULE, TELEMATICS, ZTR, M7, EMEA/APAC	
		EMEA/APAC	
1C	1289522GT	MODULE, TELEMATICS, ZTR, M7, APAC/ANZ	
		APAC/ANZ	
1D	1289523GT	MODULE, TELEMATICS, ZTR, M7, JAPAN	
		Japan	
2	1289561GT	BRACKET, TELEMATICS	1



814.2 China Telematics Option, TZ200, STD



814.2 China Telematics Option, TZ200, STD

<i>Item</i>	<i>Part No.</i>	<i>Description</i>	<i>Qty.</i>
1	1277924GT	NUT,NYLOCK FLG,1/4-20,F,ZAG	2
2	1305593GT	BRACKET,CHINA TELEMATICS,COMMON	1
3	1304820GT	MODULE,TELEMATICS,TIZA,TZ200,CHINA	1



<u>Part no.</u>	<u>Page Number</u>	<u>Part no.</u>	<u>Page Number</u>	<u>Part no.</u>	<u>Page Number</u>
1268GT	11	23404GT	53, 67, 75, 79, 115, 141	31779GT	11
1484GT	11	23405GT	153	31784GT	13
6021GT	135	24514GT	107	31785GT	13, 29
6578GT	151	25388GT	57, 75	31788GT	13, 29
6833GT	99	25685GT	159	32149GT	153
6935GT	75, 105	25817GT	45	32150GT	11
7056GT	61, 75, 87, 93, 105	27246GT	151	32151GT	11
7746P-SGT	155	27258GT	99	32317GT	135
9599-SGT	155	27391GT	139	32710GT	105
10665GT	103	27489GT	151	32728GT	19, 27, 35, 43
10775GT	105	27564GT	15	33576GT	105
10777GT	107	27581GT	11	33759GT	107
12344GT	165	27894GT	137	33994GT	11, 121
12443GT	107	27900GT	137	34052GT	139
13064GT	61	28161GT	15, 17	34053GT	67
13268GT	113	28164GT	15, 31	34245GT	91, 93
13585GT	105	28165GT	19	34619GT	155, 159
15243GT	109, 113	28171GT	15, 23	35088GT	103
18396GT	91	28174GT	15, 19, 23, 27, 31, 35...	35434GT	149
18963GT	77	28175GT	13	35542GT	13
19018GT	65, 73	28176GT	19	35675GT	95
19246GT	57	28177GT	19	35678GT	119
19247GT	57	28181GT	17	35679GT	119
19268GT	79	28235GT	15, 19, 23, 27, 31, 35...	35680GT	119
19470GT	125	28236GT	19, 35	35956GT	155
19506GT	79	28372GT	13, 29	36054-SGT	101
19712GT	117	28443GT	93	36179GT	73
19713GT	117	28750GT	11, 121	36192GT	95
19721GT	117	29032GT	121	36194GT	91, 93
19722GT	117	29080GT	95	36198GT	93
19789GT	123	29261GT	141	36199GT	103
20224GT	123	29868GT	59	36200GT	91
20973GT	107	30222GT	101	36202GT	91
21121GT	107	30489GT	149	36205GT	91
21166GT	45	30577GT	149	36211GT	47
21427GT	117	30807P-SGT	105	36235GT	115
21619GT	67	30971GT	149	36245GT	91
21982GT	79	30997GT	115	36246GT	91
22262GT	49	31060GT	13, 17, 29, 31, 33, 35	36257GT	75
22263GT	49	31106GT	89, 101	36355GT	49, 153
22794GT	61, 131	31194GT	61, 131	36369GT	59
23083-SGT	151	31508GT	13, 29	36388GT	67, 71

<u>Part no.</u>	<u>Page Number</u>	<u>Part no.</u>	<u>Page Number</u>	<u>Part no.</u>	<u>Page Number</u>
36389GT	91	40447GT	91, 93	45108GT	45
36390GT	91	40449GT	89	45111GT	45
36414GT	75	40609GT	145	45112GT	45
36415GT	75	42019GT	73	45113GT	45
36421GT	75	42363GT	61	45209GT	59
36449GT	77	42413GT	87	45382GT	59
36456GT	49, 71	42439GT	65	45383GT	109
36457GT	75	42502GT	95	45385GT	77, 139
36555GT	11	42612-SGT	89	45437GT	107
36561-SGT	103	42613-SGT	89	45454GT	49
36570GT	75	42616GT	113	45462GT	77, 145
36574GT	77	42617GT	113	45465GT	59
36575GT	77	42781GT	109, 113	45470GT	159
36648GT	97	42797GT	103	45544GT	123
36673GT	57	42939GT	87, 93, 103	45782GT	79, 109
36676GT	45	43018GT	127	45873GT	45
36816-SGT	145	43038GT	117	45921GT	121, 123
36923PGT	75	43040GT	117	46468GT	19, 27, 35, 43
36924PGT	77	43042GT	117	47377GT	89, 93, 101, 103
37052GT	19	43179GT	49	48504GT	71, 135
37053GT	13, 21, 29, 37	43392GT	157	48731GT	31
37054GT	13, 21, 29, 37	43595GT	13	48732GT	29, 37
37055GT	13, 21, 29, 37	43599GT	121	48773GT	133
37056GT	13, 21, 29, 37	43937GT	93	48875GT	131
37184GT	73	43956GT	75, 83, 105	48880GT	123
37185GT	73	43960GT	61, 87, 105	48885GT	131
37186GT	73	44133GT	93	48890GT	133
37187GT	73	44248GT	19	48904GT	129
37191GT	73	44743GT	107	48905GT	127
37192GT	73	44750GT	135	48906GT	129
37947GT	79	44777GT	71, 135	48911GT	129
38149GT	31, 39	44778GT	51, 71, 135	48912GT	129, 131, 133
39223GT	73	44788GT	11, 73	48915GT	131
40145GT	45	44956GT	123	48916GT	127, 131, 133
40146GT	45	44980GT	13, 29, 37	48927GT	133
40299GT	13, 29	44981GT	15, 19, 23, 27, 31, 35...	48932GT	131
40300GT	13, 29	44986GT	19	48933GT	131, 133
40410GT	121	45043GT	45	48937GT	131
40413GT	121, 123, 125	45071GT	45, 91, 93, 95	48938GT	131
40434GT	19, 27	45074GT	45	48997GT	123
40438GT	45	45105GT	109	49114-4650GT	133
40446GT	87	45107GT	45	49117-4650GT	133



<u>Part no.</u>	<u>Page Number</u>	<u>Part no.</u>	<u>Page Number</u>	<u>Part no.</u>	<u>Page Number</u>
49117-8100GT	129	52947GT	15	56983PGT	99
49118-2750GT	131	52960GT	137	56994GT	65
49118-3150GT	131	52968GT	13, 21, 29, 37	58320GT	51
49119-3350GT	129	53517GT	151	58531GT	53
49119-4100GT	129	54255GT	113	58932GT	73, 135
49119-6600GT	129	54259GT	113	58933GT	71
49119-7300GT	129	54365GT	113, 151	58934GT	71, 135
49119-8300GT	133	54530GT	97	58936GT	71, 135
49119-20200GT	133	54989GT	149	58985GT	117
49119-21300GT	133	55753GT	143, 157	58994GT	121
49119-23600GT	133	56003GT	131	60429GT	61
49119-23900GT	133	56029GT	49	60443GT	113
49120-1900GT	133	56030GT	49	60526GT	113
49120-3100GT	133	56051GT	89, 145	61226GT	49, 113
49120-48150GT	133	56289GT	145	61726GT	159
49121-3150GT	133	56302GT	67, 115, 139	61972GT	159
49121-23900GT	133	56328GT	141	61973GT	159
49189-2325GT	131	56330GT	141	61974GT	159
49215GT	137	56351GT	139	62502GT	75
49418GT	129, 133	56361GT	95	62506GT	127
49612GT	11, 121	56418GT	139	62507GT	127
49613GT	11, 121	56424GT	139	62695GT	53
49812GT	71	56425GT	141	62696GT	53
50546GT	103	56426-576GT	139	62930GT	17, 25
52339GT	123	56457-SGT	109	62931GT	13, 21
52475GT	29, 37	56462GT	59	62932GT	17, 25, 33, 41
52598GT	125	56465PGT	105	62933GT	13, 21, 29, 37
52599GT	121, 123, 125	56500-SGT	101, 107	65171GT	15, 31
52601GT	121	56561GT	49	65178GT	117
52603GT	121	56562GT	49	65301GT	13
52604GT	121	56576PGT	105	65546GT	117
52715GT	123	56656GT	105	65608GT	51
52865GT	31	56663GT	113	65737GT	57
52885GT	121, 125	56784GT	65	65872GT	51
52887GT	117	56791GT	67	66355GT	105
52892GT	117	56849GT	97	66399GT	11
52895GT	117	56886GT	119	66717GT	153
52913GT	71, 135	56912GT	45, 49, 57, 67, 95, 105	66812GT	79, 111
52914GT	73, 135	56929GT	127	66813GT	111
52915GT	135	56930GT	49	66815GT	111
52928GT	117	56934GT	97	66816GT	111
52943GT	121, 123, 125	56976-SGT	103	66817GT	79

<u>Part no.</u>	<u>Page Number</u>	<u>Part no.</u>	<u>Page Number</u>	<u>Part no.</u>	<u>Page Number</u>
66818GT	79, 111	74384GT	119	82601GT	27
66821GT	79	74424GT	49	82602GT	27
66900GT	59	74425GT	123	82604GT	27
66901GT	59	74468GT	55	82610GT	23, 39
72047GT	121, 123, 125	74469GT	55	82611GT	27, 43
72078GT	51	74470GT	55	82612GT	27
72081GT	19, 27, 35, 43	74471GT	53	82942GT	21
72086GT	29, 37	74495GT	49	83093GT	81
72298GT	117	74508GT	97	84312GT	61
72326GT	77, 109, 145	74509GT	97	85239GT	79
72833GT	13, 29	74587GT	101	87085GT	155
72867GT	19, 27, 35, 43, 151	74643GT	51	87755GT	113
72875GT	35	74735GT	103	88280GT	93
72999GT	15, 31, 39	74865GT	101	88337GT	45
73575GT	165	74866GT	101	88338GT	45
73711GT	113	74902GT	121, 123, 125	88356-116R3GT	87
73713GT	113	74913GT	65	88356-127J5GT	93
73714GT	61	74917GT	65	88356-12103GT	61
73717GT	113	74918GT	65	88385GT	141
73723GT	113	74946GT	87	88390GT	141
73736GT	113	77728GT	95	88827GT	79
73739GT	105	77860GT	155	88832GT	83
74052GT	107	77969GT	59	89310GT	121
74066GT	95	77970GT	59	93500GT	11
74085GT	87	77981GT	71, 135	94019GT	123
74086GT	61	77990GT	71, 135	94022GT	59
74091GT	93	78098GT	151, 153, 165	94023GT	59
74119PGT	99	78622GT	73	94077GT	65
74136GT	131	79452GT	53	94170GT	159
74232GT	87	81579GT	65	94176GT	159
74266GT	49, 53	81812-1188GT	73	94191GT	159
74267GT	53	81812-1238GT	131	94210GT	89
74282GT	49, 55	81812-5400GT	131	94212GT	95
74312GT	45	81900GT	109	94215GT	93
74313GT	45	82161GT	15, 31, 39	94216GT	93
74356GT	119	82366GT	15, 31, 39	94217GT	103
74357GT	119	82472GT	23, 25	94218GT	101
74358GT	119	82481GT	21, 37	94219GT	61, 71
74359GT	119	82487GT	23, 27, 37, 39, 43	94220GT	61, 71
74362GT	117	82544GT	23	94253GT	89
74368GT	117	82548GT	27	94255GT	95
74379GT	89	82592GT	15, 23, 31, 39	94258GT	93

<u>Part no.</u>	<u>Page Number</u>	<u>Part no.</u>	<u>Page Number</u>	<u>Part no.</u>	<u>Page Number</u>
94259GT	93	106427GT	87	128202GT	79
94260GT	103	106433GT	93	128203GT	79
94261GT	101	107858GT	151, 155	128204GT	109
94427GT	71	110197GT	123	128205GT	151
94461GT	149	110199GT	121	128335GT	49
94462GT	149	110200GT	121	128336GT	49
94463GT	149	110232GT	61, 83	128375GT	57
94506GT	111	110233GT	83	128376GT	57
94512GT	79	110236GT	83	128377GT	57
94908GT	45	110240GT	83	128444GT	121
94909GT	51	110242GT	83	128453GT	61
96008-SGT	79	110244GT	83	128550GT	101
96317GT	45	110245GT	83	128565GT	61
97128GT	87	110246GT	83	128580-SGT	109, 111
97815GT	27, 35, 43	110249GT	83	128581-SGT	111
97890GT	15, 19	110382GT	65	128582-SGT	109, 111
97893GT	19	110626GT	65	128584-SGT	109
101557GT	97	110649GT	115	128586-SGT	109
101649GT	155	110651GT	109	128618GT	61
101676GT	155	110652GT	109	128619GT	61
101677GT	155	110653GT	109	128620GT	61
101678GT	155	110789GT	159	128621GT	61
101679GT	155	114224GT	15	128622GT	61
101929-3950GT	131	114248GT	43	128635GT	87
101965GT	79	114249GT	21, 37	128645GT	57
102992GT	107	114252GT	37, 39, 41, 43	128667GT	107
104804GT	157	114334GT	37	128668GT	107
106054GT	59	114343GT	23, 31, 39	128669GT	107
106055GT	59	114390GT	31, 35	128677GT	147
106117GT	51	114397GT	19, 35	128681GT	147
106120GT	51	119058GT	105	128682GT	147
106121GT	51	119077GT	147	128728GT	73
106122GT	51	119111GT	61	128729GT	51
106123GT	51	119403GT	75	128730GT	51
106124GT	53	119618GT	67	128808GT	73
106125GT	53	119762GT	61	128818GT	73
106126GT	53	121848GT	159	128825GT	57
106148GT	51	122073GT	143	128838GT	149
106215GT	77	122513GT	111	128852GT	147
106216GT	77	128102GT	153	128899GT	61
106217GT	75	128118GT	57	128965GT	49
106241GT	59	128200GT	79, 109, 139	128968GT	151



<u>Part no.</u>	<u>Page Number</u>	<u>Part no.</u>	<u>Page Number</u>	<u>Part no.</u>	<u>Page Number</u>
128973GT	147	150026GT	153	824019GT	113
133067GT	39, 43	215777GT	51	824024GT	159
133286GT	13, 21, 29, 37, 57	216791GT	65	824025GT	101
139008GT	61	216793GT	65	824028GT	107, 151
139290GT	75	218164GT	67	824029GT	57, 67, 73, 87, 89, 91...
139318GT	57	218550GT	35	824032GT	65, 77, 105, 113, 145, 151
139351GT	51	218559GT	35	824037GT	67, 71
139353GT	51	218570GT	53	824038GT	95
139354GT	51	218602GT	83	824040GT	89
139355GT	51	219487GT	35	824042GT	45, 51
139462GT	127	219954GT	43	824059GT	155
139537GT	99	219956GT	43	824062GT	101
139540GT	99	219958GT	43	824064GT	147
139541GT	99	226383GT	117	824066GT	59
139542GT	99	227213GT	15, 31	824067GT	91, 95
139560GT	127	227427GT	19	824070GT	159
139561GT	127	227564GT	105	824074GT	63, 71
139564GT	127	227620GT	83, 105	824077GT	59, 71, 75, 103, 111
139584GT	83	228947GT	57	824078GT	45, 49, 57, 65, 69, 75...
139587GT	13, 21	228973GT	57	824079GT	49, 75, 87, 95, 99, 113
139590GT	13, 21, 29, 37	229567GT	79, 109	824080GT	141
139643GT	139	229729GT	59	824081GT	107, 155
139655GT	103	229805GT	59	824082GT	95
139858GT	57	229806GT	59	824083GT	113
139877GT	131	229833GT	53	824084GT	87
139965GT	53	229834GT	53	824085GT	71, 151
139966GT	53	230759GT	57	824086GT	49
139967GT	53	232486GT	53	824087GT	107
139968GT	53	233717GT	101	824089GT	75
144161GT	57, 75	233745GT	101	824090GT	47, 61, 67, 167
146051GT	53	234923GT	117	824091GT	51, 65, 71, 87, 91
146052GT	53	236665GT	49	824092GT	93, 101
146478GT	111	237145GT	109	824093GT	93
147000GT	139	237503GT	83	824094GT	57, 91
147001GT	139	822704GT	83	824095GT	67, 73
147034GT	53	822917GT	53	824100GT	71
147079GT	95	822918GT	53	824102GT	61
147093GT	65, 79	823226GT	49, 151, 155	824103GT	51
147181GT	147	823685GT	59	824106GT	51
147253GT	113	823942GT	155	824109GT	101, 147
147389GT	83	823944GT	151	824110GT	71, 91, 147
147638GT	95	823948GT	151	824113GT	45, 49, 69, 87, 95, 99...

<u>Part no.</u>	<u>Page Number</u>	<u>Part no.</u>	<u>Page Number</u>	<u>Part no.</u>	<u>Page Number</u>
824116GT	63, 71, 137	1251591GT	141	1257390GT	87
824119GT	71, 75	1251592GT	139	1257733GT	11
824120GT	65, 71	1251757GT	53	1258567GT	11
824121GT	51	1252011GT	141	1259574GT	65
824124GT	147	1252012GT	139	1259715GT	143
824125GT	59	1252013GT	139	1260928GT	83
824126GT	47	1252977GT	59	1261184GT	165
824127GT	47	1252978GT	147	1261346GT	111
824128GT	47	1255018GT	161	1261347GT	111
824129GT	47	1255019GT	161	1261566GT	111
824151GT	91, 101	1255020GT	161	1261606GT	87
824163GT	95	1255021GT	161	1261845GT	83
824164GT	101	1255022GT	161	1261984GT	65
824206GT	113	1255023GT	161	1262353GT	95
824208GT	159	1255024GT	161	1262354GT	95
824214GT	107, 113	1255025GT	161	1262355GT	95
824215GT	65, 77, 145	1255026GT	161	1262432GT	95
824216GT	159	1255027GT	161	1263141GT	61
824218GT	79	1255028GT	161	1263142GT	63
824219GT	87, 93	1255030GT	161	1263187GT	65
824225GT	105, 153	1255033GT	163	1263542GT	37, 39
824226GT	113	1255035GT	161	1263543GT	29, 31
824228GT	59	1255036GT	161	1263699GT	149
824878GT	109, 111	1255037GT	161	1264261GT	165
825019GT	47, 91, 93, 97, 101	1255038GT	161	1264315GT	93
825020GT	159	1255066GT	161	1264822GT	83
825207GT	139	1255067GT	161	1264834GT	83
825209GT	139	1255471GT	161	1264934GT	165
825210GT	141	1255488GT	161	1266019GT	31, 39
825211GT	139	1255489GT	163	1267121GT	31
825212GT	139	1255567GT	161	1267575GT	73, 131
825213GT	139	1255758GT	77	1267579GT	131
825214GT	139	1255803GT	87	1267747GT	157
825215GT	139	1255805GT	49	1268468GT	159
825216GT	139	1255858GT	161	1270116GT	161
825352GT	165	1255889GT	161	1270117GT	161
825358GT	71, 91, 147, 151	1255890GT	161	1270118GT	161
825674GT	151	1256109GT	101	1272235GT	169
826791GT	95	1256149GT	161	1272242GT	31, 39
826793GT	95, 101	1256855	157	1273205GT	101
1000043GT	19	1256859GT	165	1274173GT	101
1251590GT	139	1256863GT	101	1274322GT	59, 97, 167

<u>Part no.</u>	<u>Page Number</u>	<u>Part no.</u>	<u>Page Number</u>	<u>Part no.</u>	<u>Page Number</u>
1274873GT	107	1281329GT	105	1292513GT	31, 39
1276038GT	169	1281331GT	105	1292514GT	31, 39
1276939GT	157	1281332GT	145	1292515GT	31, 39
1276940GT	157	1281342GT	75	1293476GT	171
1277873GT	165	1281370GT	57	1293788GT	127, 133
1277875GT	165	1281371GT	105	1294398GT	31, 39
1277876GT	165	1282023GT	101	1298510GT	29, 37
1277877GT	165	1282052GT	103	1298550GT	69
1277924GT	57, 65, 69, 75, 87, 99...	1282063GT	87	1298605GT	107, 157
1278111GT	83, 165	1282083GT	159	1298837GT	35
1278119GT	83, 165	1282084GT	159	1298847GT	29
1278121GT	165	1282086GT	101, 107	1298858GT	31, 39
1278124GT	165	1282089GT	87	1299436GT	43
1278175GT	165	1282094GT	45	1299573GT	37
1278177GT	167	1282095GT	75	1299791GT	35
1278363GT	167	1282096GT	77	1299792GT	43
1278368GT	165	1282100GT	87	1304130GT	49
1278417GT	165	1282108GT	71	1304820GT	173
1278433GT	165	1282109GT	107	1305593GT	173
1278450GT	83, 165	1283776GT	11	1307061GT	145
1278459GT	165	1284189GT	63	9990074GT	53
1278542GT	35, 43, 165	1285280GT	65	T106699GT	115
1278982GT	35, 43, 167	1285850GT	83, 165	T108887GT	51
1279136GT	165	1286362GT	39	T112560GT	105
1280665GT	57	1286600GT	51	T112561GT	105
1280819GT	31	1286602GT	53	T112563GT	105
1281174GT	35, 43	1286603GT	53	T112773GT	19, 27, 35, 43, 157
1281175GT	43	1287821GT	97	T112779GT	143
1281264GT	79	1287986GT	123	T112780GT	143
1281269GT	67	1288080GT	89, 93, 95, 99, 103		
1281271GT	107	1288895GT	65		
1281272GT	107	1289520GT	65, 67, 171		
1281273GT	107	1289521GT	65, 67, 171		
1281275GT	73	1289522GT	67, 171		
1281276GT	95	1289523GT	67, 171		
1281277GT	103	1289561GT	65, 67, 171		
1281281GT	75	1290348-1700GT	131		
1281282GT	75	1290350-2000GT	131		
1281284GT	87	1290352-2487GT	131		
1281286GT	99	1291624GT	31, 39		
1281325GT	169	1292312GT	83		
1281327GT	57	1292512GT	31, 39		



California Proposition 65



Operating, servicing and maintaining this equipment, passenger vehicle or off-highway motor vehicle can expose you to chemicals including engine exhaust, carbon monoxide, phthalates, and lead, which are known to the State of California to cause cancer and birth defects or other reproductive harm. These chemicals can be emitted from or contained in other various parts and systems, fluids and some component wear by-products. To minimize exposure, avoid breathing exhaust, do not idle the engine except as necessary, service your equipment and vehicle in a well-ventilated area and wear gloves or wash your hands frequently when servicing your equipment or vehicle and after operation. For more information go to www.P65Warnings.ca.gov/passenger-vehicle.

Breathing diesel engine exhaust exposes you to chemicals known to the State of California to cause cancer and birth defects or other reproductive harm.

- Always start and operate the engine in a well-ventilated area.
- If in an enclosed area, vent the exhaust to the outside.
- Do not modify or tamper with the exhaust system.
- Do not idle the engine except as necessary.

For more information go to www.P65warnings.ca.gov/diesel.

www.genielift.com

Distributed By:

Parts Manual Z-34/22N

*from SN Z3415D-101 to Z3416D-279
from SN Z34ND-280*

Part No.
1285598GT

Rev A5

Genie
A TEREX BRAND