

OCR10-M47602EN

Introduction

1.This parts catalog for 4JH3-HTE,4JH3-HTE is published as a revised edition of the Diesel engine.

	Date of issue	Remarks
First edition	June,1998	No need
1st edition(supplement)	Dec.,2002	No need
2nd revised edition	May ,2014	

2.Standard finish color. Yanmar eole silver Metallic

Parts No. 977620-10070 1L(Packed in a can)

Parts No. 977620-40071 4L(Packed in a can)

Parts No. TOR-94800250 Spray(1 piece)

3.This parts catalog does not contain the technical data needed for maintenance service.

4.The illustrations used in this parts catalog have been simplified for clarity.

5.The contents of this parts catalog are subject to change without notice.

6.Be sure to use only Yanmar genuine parts for repairs.If imitation parts are used, it may cause engine defects.

Contents

OCR10-M47602

Fig. No.	Fig. Name	Fig. No.	Fig. Name
4JH3-HTE/DTE		24.	COOLING FRESH WATER PIPE
1.	CYLINDER BLOCK	25.	COOLING SEA WATER STRAINER(OPTIONAL)
2.	GEAR HOUSING	26.	BILGE PUMP(STD)
3.	FLYWHEEL HOUSING	27.	BILGE PUMP(DX)
4.	MOUNTING FOOT	57.	(27A)BILGE PUMP(12V)
5.	LUB. OIL SUMP	28.	FUEL INJECTION PUMP
6.	LABEL	29.	FUEL INJECTION VALVE
7.	CYLINDER HEAD(4JH3-HTE)	30.	FUEL INJECTION PIPE
8.	CYLINDER HEAD(4JH3-DTE)	31.	FUEL PIPE
9.	BONNET	32.	FUEL TANK
10.	SUCTION MANIFOLD	33.	ENGINE STOP DEVIC
11.	TURBINE	34.	STARTING MOTOR
12.	TURBINE(INNER PARTS)	35.	GENERATOR(12V-55A)
13.	AIR COOLER	58.	(35A)GENERATOR(12V-60A)(OPTIONAL)
14.	CAMSHAFT	36.	GENERATOR(12V-80A)(HITACHI)(TO JAN. 2013)
15.	CRANKSHAFT & FLYWHEEL	55.	(36A)GENERATOR(12V-120A)(VALEO)(FROM FEB. 2013)
16.	PISTON	37.	GENERATOR(12V-80A)
17.	LUB. OIL COOLER	38.	WIRE HARNESS & SENSOR
56.	(17A)LUB. OIL COOLER(ZF25A/ZF30M)	39.	WIRE HARNESS(EARTH FLOAT TYPE)
18.	LUB. OIL PIPE	40.	INSTRUMENT PANEL(B-TYPE)
19.	LUB. OIL SYSTEM	41.	INSTRUMENT PANEL(C-TYPE)(TO JUN. 2001)
20.	COOLING SEA WATER PUMP	42.	INSTRUMENT PANEL(C-TYPE)(FROM JUL. 2001)
21.	COOLING FRESH WATER PUMP	43.	NEW PANEL(B-TYPE)
22.	COOLING FRESH WATER COOLER	44.	NEW PANEL(C-TYPE)(TO DEC. 2000)
23.	COOLING SEA WATER PIPE	45.	NEW PANEL(C-TYPE)(FROM JAN. 2001)

Contents

OCR10-M47602

Fig. No. Fig. Name

46. CLUTCH

47. CUPRING

48. TOOLS

49. INSTRUMENT PANEL(B-TYPE)(VDO)

50. INSTRUMENT PANEL(C-TYPE)(VDO)

51. INSTRUMENT PANEL(B-TYPE)(KEYLES)(VDO)

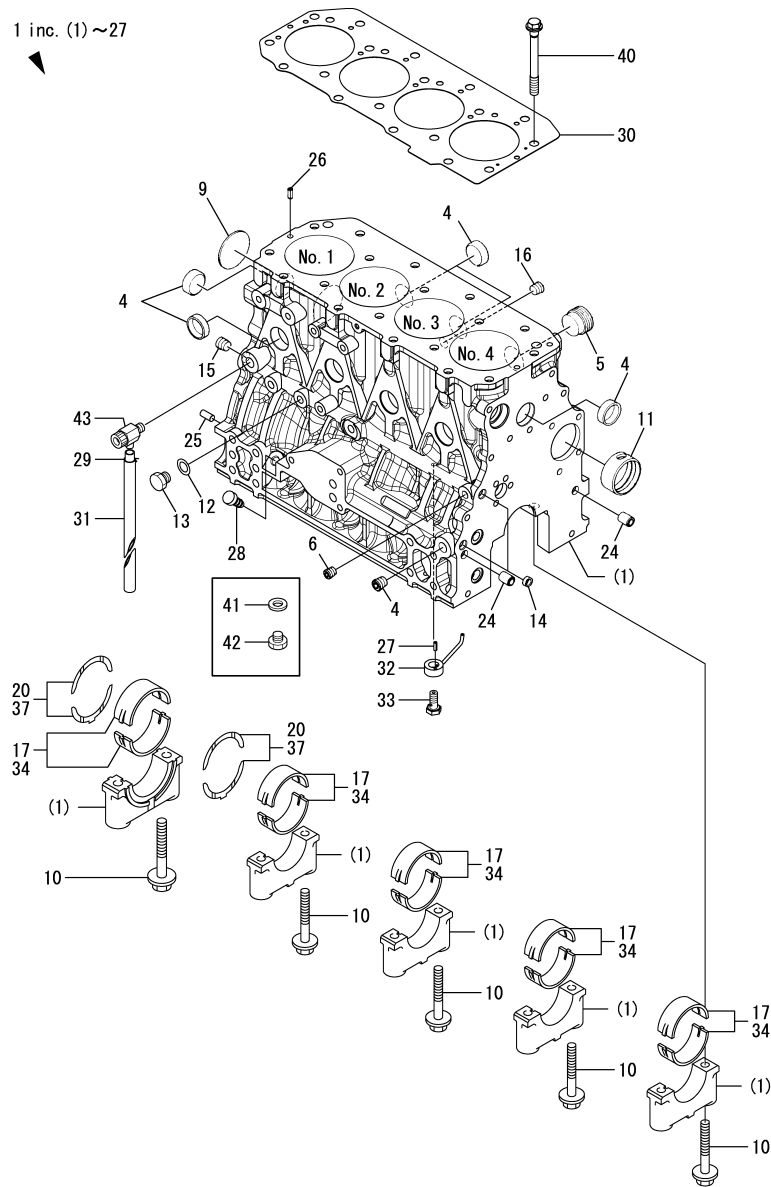
52. INSTRUMENT PANEL(C-TYPE)(KEYLES)(VDO)

53. INSTRUMENT PANEL(B20)(MEDALLION)(FROM JAN. 2012)

54. INSTRUMENT PANEL(C30)(MEDALLION)(FROM JAN. 2012)

Fig. No. Fig. Name

Fig.1. CYLINDER BLOCK



(A)=4JH3-HTE
(B)=4JH3-DTE
(C)=

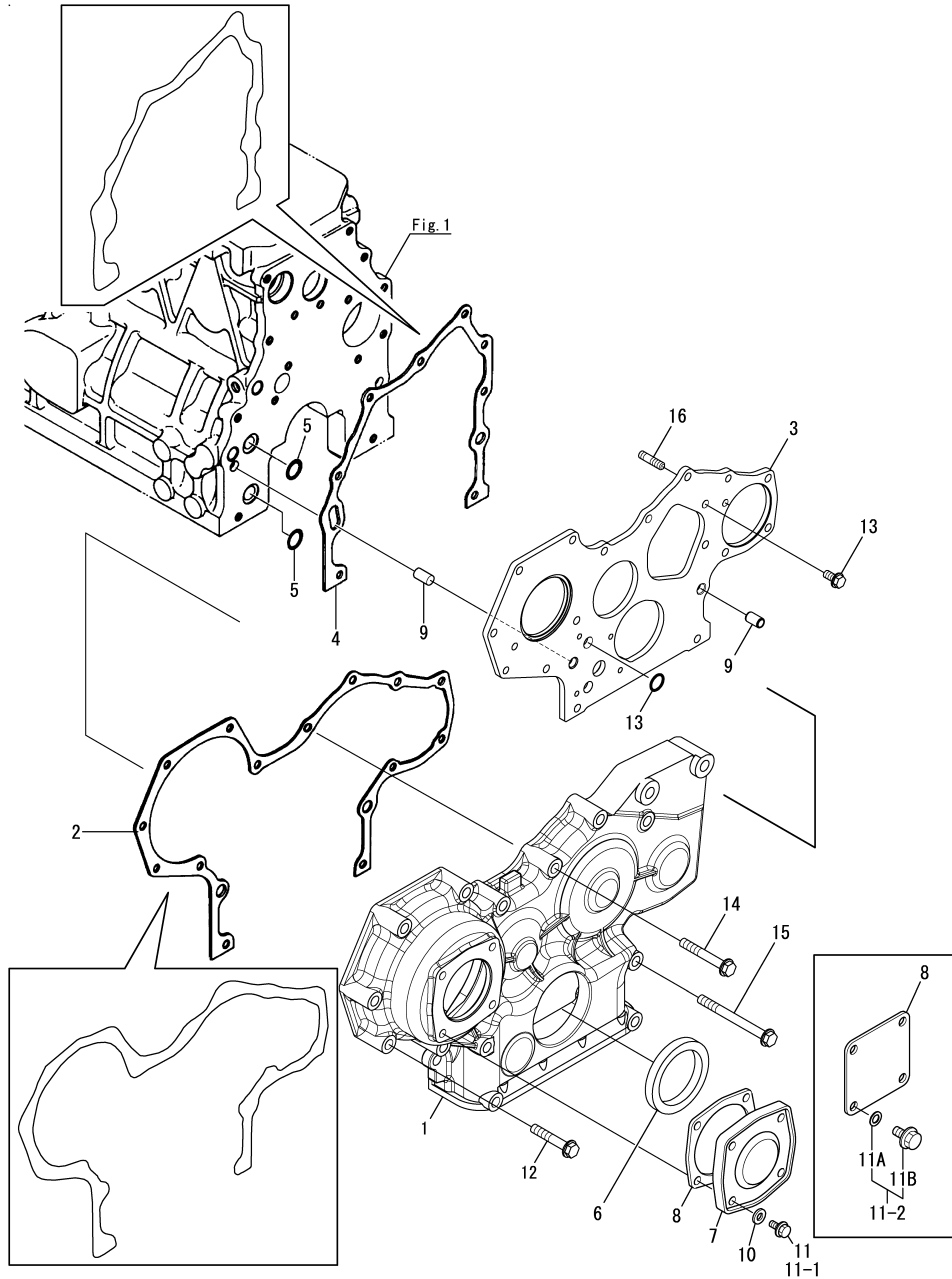
(D)=
(E)=
(F)=

No.	Lev.	Parts No.	Description	Q'ty						I	R
				(A)	(B)	(C)	(D)	(E)	(F)		
1	1	729693-01560	BLOCK ASSY, CYLINDER	1	1						
4	3	27241-300000	PLUG 30	8	8						
5	3	171051-01921	PLUG, NPTF1	1	1						
6	3	23876-010000	PLUG, R01	1	1						
9	3	27231-500000	PLUG 50	1	1						
9-1	3	129001-01250	PLUG, 50	1	1						N
		(A=E20511) (B=E30479)									
10	3	129150-02020	BOLT, METAL CAP	10	10						
11	3	129795-02411	BUSH, CAMSHAFT	1	1						
11-1	3	129795-02412	BUSH, CAMSHAFT	1	1						N
		(A=*2006.03) (B=*2006.03)									
12	2	23414-100000	GASKET, 10X1.0	1	1						
13	2	23887-100002	PLUG, 10	1	1						
14	2	27241-120000	PLUG, 12	2	2						
15	2	124160-01910	PLUG, PT1/4	2	2						
16	2	23876-030000	PLUG, R03	1	1						
17	2	129150-02800	BEARING, MAIN	5	5						
17-1	2	129690-02800	BEARING, MAIN	5	5						N
		(A=E20929) (B=E30857)									
20	2	129150-02930	BEARING, THRUST	2	2						
20-1	2	129150-02931	BEARING, THRUST	2	2						N
		(A=*2006.03) (B=*2006.03)									
24	2	129795-01950	PIPE, KNOCK L=18	2	2						
25	2	22312-080160	PIN, PARALLEL M8X16	2	2						
26	2	22351-060012	PIN, SPRING 6.0X12	2	2						
27	2	22351-030010	PIN, SPRING 3.0X10	4	4						
28	1	27225-100140	PLUG, 10X14	1	1						
28-1	1	119309-01810	PLUG	1	1						R
		(A=E22099) (B=E31705)									
28-2	1	124976-34850	CAP	1	1						N
		(A=*2003.04) (B=*2003.04)									
29	1	124460-77680	RETAINER	1	1						
29-1	1	124460-77680	RETAINER	1	1						Z
		(B=*2013.12)									
30	1	129693-01330	GASKET, HEAD	1	1						
30-1	1	129693-01331	GASKET, HEAD	1	1						N
		(A=*2004.09) (B=*2004.09)									
31	1	23061-070300	PIPE, 7X 300	1	1						
32	1	129553-39650	NOZZLE	4	4						
33	1	23857-030000	BOLT, JOINT 3	4	4						
34	1	129150-02870	BEARING, 0.25 US	5	5						1
34-1	1	129690-02870	BEARING, 0.25 US	5	5						N 1
		(A=E20929) (B=E30857)									
37	1	129150-02940	BEARING, THRUST 0.25	2	2						2
40	1	129150-01200	BOLT, HEAD	18	18						
41	1	23414-120000	GASKET, 12X1.0	1	1						Z
		(A=FROM 1ST) (B=FROM 1ST)									
42	1	23887-120002	PLUG, 12	1	1						
42-1	1	124160-01910	PLUG, PT1/4	1	1						S
		(A=FROM 1ST) (B=FROM 1ST)									
43	1	128371-01800	COCK ASSY, 1/4	1	1						

Remarks
(1)Under-sized (U.S.=0.25) parts.
(2)Over-sized (O.S.=0.25) parts.

N:Old $\xrightarrow{\text{Yes}}$ New, Q:Old $\xrightarrow{\text{No}}$ New, R:Old $\xrightarrow{\text{Yes}}$ New, S:Old $\xrightarrow{\text{No}}$ New, W:Add, Z:Discontinued, F:Interchangeable by set, K:Q'ty Change

Fig.2. GEAR HOUSING



(A)=4JH3-HTE
(B)=4JH3-DTE
(C)=

(D)=
(E)=
(F)=

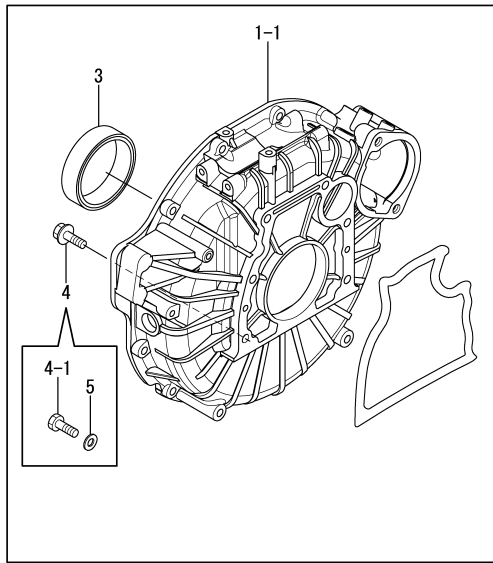
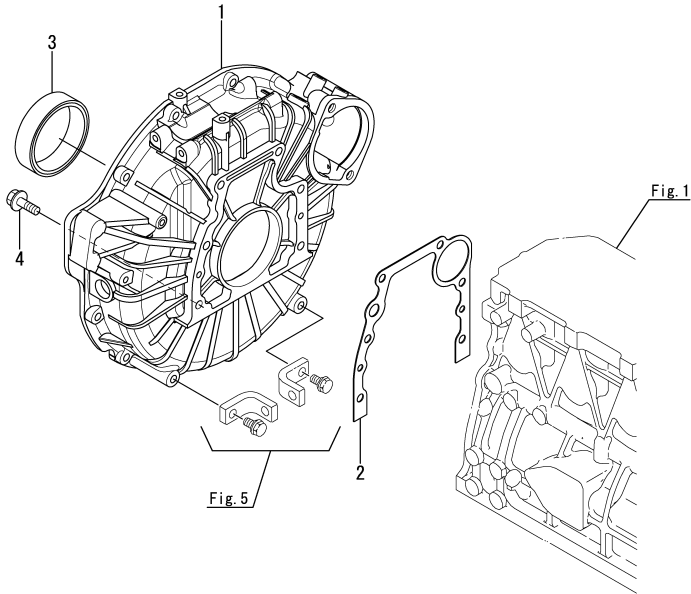
No.	Lev.	Parts No.	Description	Qty						I	R
				(A)	(B)	(C)	(D)	(E)	(F)		
1	1	129673-01500	CASE, GEAR	1	1						
1-1	1	129673-01520	CASE, GEAR	1	1						S 1
		(A=*2003.06) (B=*2003.06)									
2	1	129693-01510	GASKET, GEAR CASE	1	1						Z
		(A=*2003.06) (B=*2003.06)									
3	1	129693-01520	FLANGE, GEAR CASE	1	1						
4	1	129470-01531	GASKET	1	1						Z
		(A=*2003.06) (B=*2003.06)									
5	1	129470-01550	O-RING	2	2						
5-1	1	24311-000160	O-RING, 1AP16.0	2	2						N
		(A=*2003.06) (B=*2003.06)									
6	1	129795-01800	SEAL, OIL	1	1						
7	1	129150-01870	COVER	1	1						
7-1	1	124240-01871	COVER	1	1						R
		(A=*2004.02) (B=*2004.02)									
8	1	129150-01881	GASKET	1	1						Z
		(A=*2004.02) (B=*2004.02)									
9	1	129795-01950	PIPE, KNOCK L=18	2	2						
10	1	23414-080000	GASKET, 8X1.0	4	4						
10-1	1	22190-080002	WASHER, SEAL 8	4	4						R
		(A=FROM 1ST) (B=FROM 1ST)									
10-2	1	22190-080002	WASHER, SEAL 8	4	4						Z
		(A=*2005.08) (B=*2005.08)									
11	1	26106-080122	BOLT, M8X 12 PLATED	4	4						
11-1	1	26106-080162	BOLT, M8X 16 PLATED	4	4						N
		(A=*2004.02) (B=*2004.02)									
11-2	1	124550-01590	BOLT, M8X16	4	4						R
		(A=*2005.08) (B=*2005.08)									
11A	2	22190-080002	WASHER, SEAL 8	4	4						W
		(A=*2005.08) (B=*2005.08)									
11B	2	26106-080162	BOLT, M8X 16 PLATED	4	4						W
		(A=*2005.08) (B=*2005.08)									
12	1	26106-080162	BOLT, M8X 16 PLATED	3	3						
13	1	26106-080452	BOLT, M8X 45 PLATED	2	2						
14	1	26106-080552	BOLT, M8X 55 PLATED	3	3						
15	1	26106-080852	BOLT, M8X 85 PLATED	4	4						
16	1	26216-080182	STUD, M8X 18	1	1						
16-1	1	121450-01560	STUD, M8X22	1	1						R
		(A=*2003.04) (B=*2003.04)									

Remarks

(1)It is compatible by changing the gasket of No.2 into a liquefied gasket.

N:Old $\xrightarrow{\text{Yes}}$ New, Q:Old $\xrightarrow{\text{No}}$ New, R:Old $\xrightarrow{\text{Yes}}$ New, S:Old $\xrightarrow{\text{No}}$ New, W:Add, Z:Discontinued, F:Interchangeable by set, K:Q'ty Change

Fig.3. FLYWHEEL HOUSING



(A)=4JH3-HTE
(B)=4JH3-DTE
(C)=

(D)=
(E)=
(F)=

No.	Lev.	Parts No.	Description	Q'ty						I	R
				(A)	(B)	(C)	(D)	(E)	(F)		
1	1	129673-01600	HOUSING, FLYWHEEL	1	1						
1-1	1	129673-01620	HOUSING, FLYWHEEL	1	1						S 1
		(A=*2003.06)	(B=*2003.06)								
2	1	129470-01620	GASKET	1	1						Z
		(A=*2003.06)	(B=*2003.06)								
3	1	129795-01780	SEAL, OIL	1	1						
4	1	26106-100302	BOLT, M10X 30 PLATED	6	6						
4-1	1	26206-100302	BOLT, M10X 30 PLATED	6	6						R
		(A=*2003.09)	(B=*2003.09)								
5	1	22137-100000	WASHER, 10	6	6						W
		(A=*2003.09)	(B=*2003.09)								

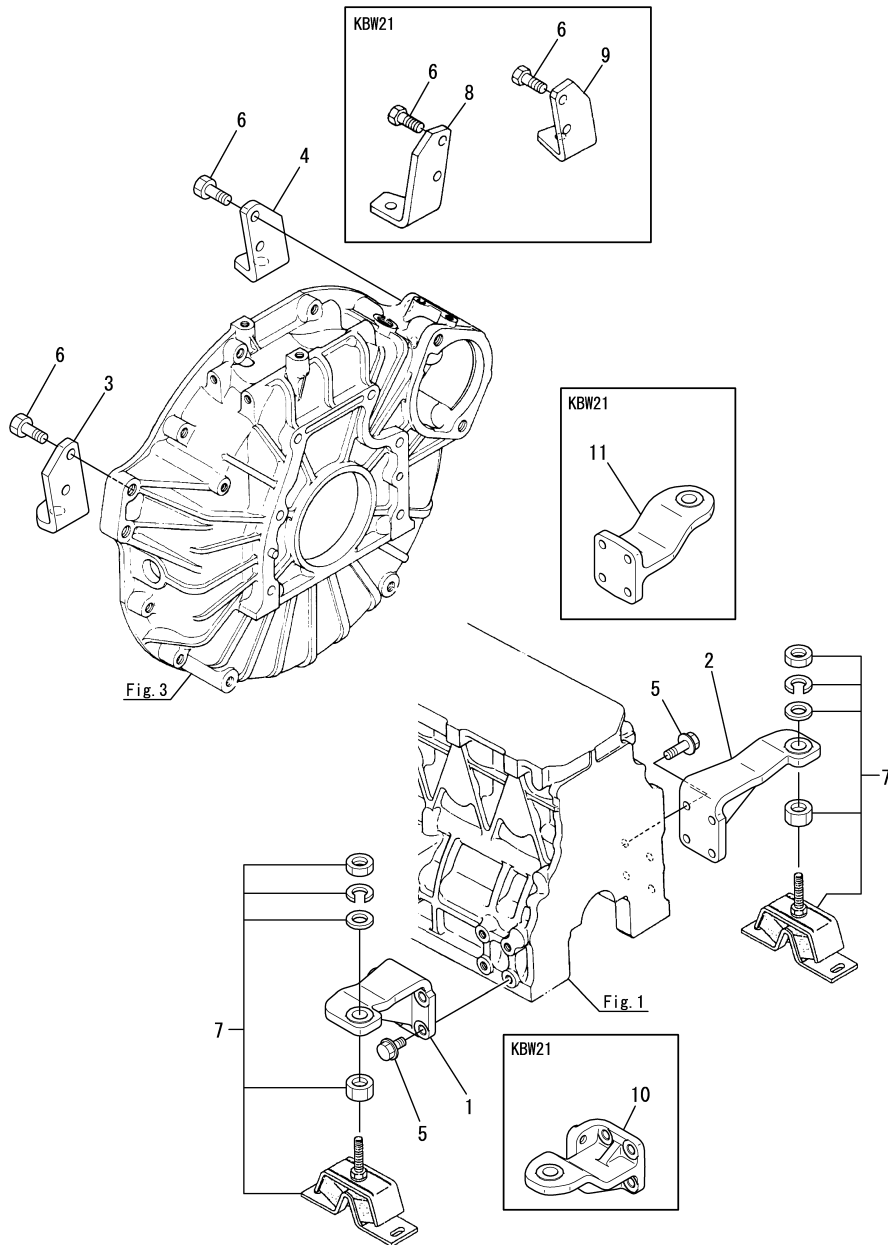
Remarks

(1)It is compatible by changing the gasket of No.2 into a liquefied gasket.

Fig.4. MOUNTING FOOT

(A)=4JH3-HTE
(B)=4JH3-DTE
(C)=

(D)=
(E)=
(F)=

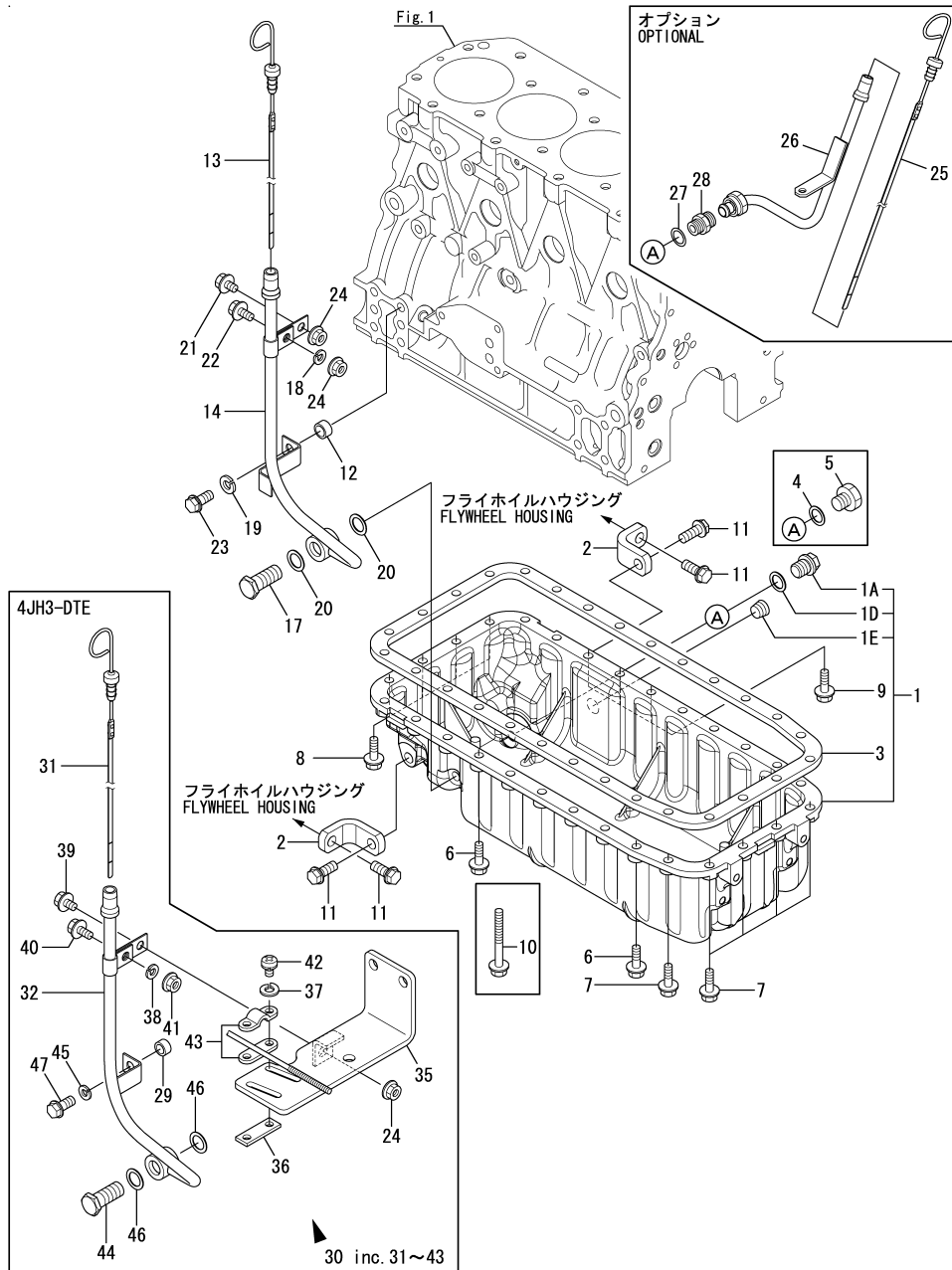


No.	Lev.	Parts No.	Description	Q'ty						I	R
				(A)	(B)	(C)	(D)	(E)	(F)		
1	1	129673-08100	FOOT	1	1						
2	1	129673-08110	FOOT	1	1						
3	1	129673-08120	FOOT	1	1						
4	1	129673-08130	FOOT	1	1						
5	1	26106-100202	BOLT, M10X 20 PLATED	8	8						
5-1	1	26106-100222	BOLT, M10X 22 PLATED	8	8						N
				(A=E20729)	(B=E20729)						
6	1	26116-120302	BOLT, M12X 30 PLATED	4	4						
7	1	129670-08350	MOUNT, FLEXIBLE 200	4	4						
7-1	1	129670-08351	MOUNTING, FLEXIBLE	4	4						N
				(A=*2009.03)	(B=*2009.03)						
8	1	129670-08120	FOOT	1	1						
9	1	129670-08130	FOOT	1	1						
10	1	129673-08140	FOOT	1	1						
11	1	129673-08150	FOOT	1	1						

Fig.5. LUB. OIL SUMP

(A)=4JH3-HTE
(B)=4JH3-DTE
(C)=

(D)=
(E)=
(F)=



No.	Lev.	Parts No.	Description	Q'ty						I	R
				(A)	(B)	(C)	(D)	(E)	(F)		
1	1	129473-01700	SUMP, OIL	1	1						
1-1	1	129673-01700	SUMP ASSY, OIL	1	1						S 1
(A=*2003.04) (B=*2003.04)											
1A	2	105425-01690	PLUG, 16	2	2						
1D	2	22190-160002	WASHER, SEAL 16	2	2						
1E	2	23875-030000	PLUG, R03	1	1						
2	1	129470-01710	BRACKET	2	2						
3	1	129470-01750	GASKET, OIL SUMP	1	1						Z
(A=*2003.04) (B=*2003.04)											
4	1	23414-160021	GASKET, 16X1.0	1	1						Z
(A=*2003.04) (B=*2003.04)											
5	1	23887-160002	PLUG, 16	1	1						Z
(A=*2003.04) (B=*2003.04)											
6	1	26106-080252	BOLT, M8X 25 PLATED	13	13						
6-1	1	26106-080252	BOLT, M8X 25 PLATED	16	16						K
(A=*2003.07) (B=*2003.07)											
7	1	26106-080252	BOLT, M8X 25 PLATED	6	6						
8	1	26106-080252	BOLT, M8X 25 PLATED	4	4						
9	1	26106-080402	BOLT, M8X 40 PLATED	2	2						
9-1	1	26106-080452	BOLT, M8X 45 PLATED	2	2						N
(A=*2003.04) (B=*2003.04)											
10	1	26106-080702	BOLT, M8X 70 PLATED	3	3						Z
(A=*2003.07) (B=*2003.07)											
11	1	26106-100252	BOLT, M10X 25 PLATED	4	4						
12	1	129301-34830	SPACER	1							
13	1	129473-34850	DIPSTICK, OIL	1							
14	1	129473-34880	GUIDE ASSY, DIPSTICK	1							
17	1	104214-39720	BOLT	1							
18	1	22217-080000	WASHER, SPRING 8	1							
19	1	22217-100000	WASHER, SPRING 10	1							
20	1	23414-160000	GASKET, 16X1.0	2							
21	1	26106-080122	BOLT, M8X 12 PLATED	1							
22	1	26106-080162	BOLT, M8X 16 PLATED	1							
23	1	26106-100252	BOLT, M10X 25 PLATED	1							
23-1	1	26106-100222	BOLT, M10X 22 PLATED	1							N
(A=E20729)											
24	1	26366-080002	NUT, M8	2							
25	1	128170-34800	DIPSTICK, OIL	1	1						
25-1	1	129670-34810	DIPSTICK, LUB. OIL	1	1						N
(A=E21559) (B=E31385)											
26	1	129570-34880	GUIDE, DIPSTICK	1	1						
27	1	23414-160000	GASKET, 16X1.0	1	1						
28	1	23831-100000	UNION, 10	1	1						
29	1	129301-34830	SPACER	1	1						
30	1	129673-34880	DIPSTICK ASSY, BRACKE	1							W
(B=*2013.05)											
31	2	129473-34850	DIPSTICK, OIL		1						
32	2	129473-34880	GUIDE ASSY, DIPSTICK		1						
35	2	129693-67102	BRACKET		1						
36	2	121574-86320	RETAINER		1						
37	2	22217-050000	WASHER, SPRING 5		2						

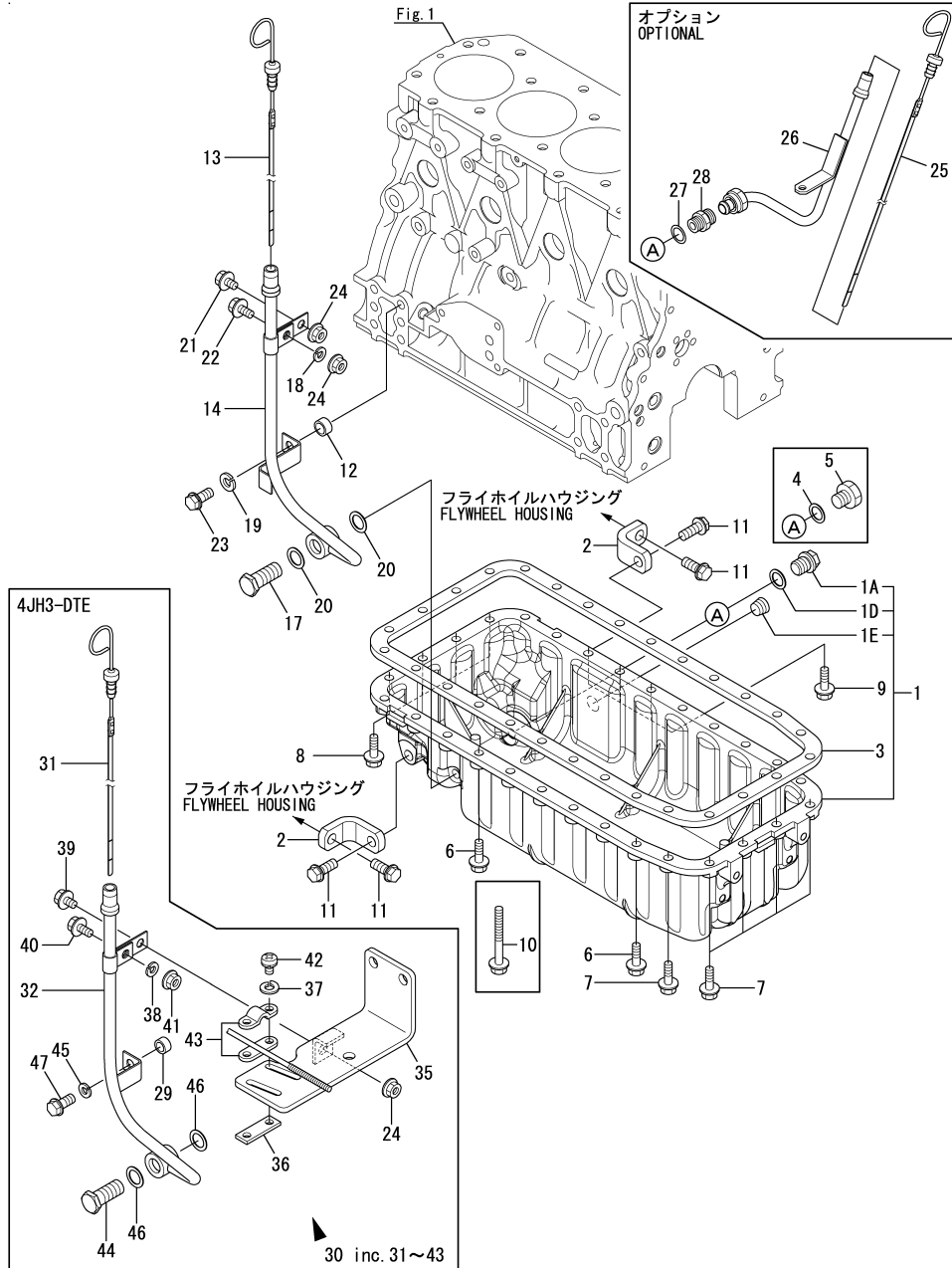
Remarks

(1) It is compatible by changing the gasket of No.3 into a liquefied gasket.

Fig.5. LUB. OIL SUMP

(A)=4JH3-HTE
(B)=4JH3-DTE
(C)=

(D)=
(E)=
(F)=



No.	Lev.	Parts No.	Description	Q'ty						I	R
				(A)	(B)	(C)	(D)	(E)	(F)		
38	2	22217-080000	WASHER, SPRING 8		1						
39	2	26106-080122	BOLT, M8X 12 PLATED		1						
40	2	26106-080162	BOLT, M8X 16 PLATED		1						
41	2	26366-080002	NUT, M8		2						
42	2	26557-050202	SCREW, M5X20		2						
43	2	41710-000410	CLAMP		1						
44	1	104214-39720	BOLT		1						
45	1	22217-100000	WASHER, SPRING 10		1						
46	1	23414-160000	GASKET, 16X1.0		2						
47	1	26106-100252	BOLT, M10X 25 PLATED		1						
47-1	1	26106-100222	BOLT, M10X 22 PLATED		1						N
(B=E30691)											

Remarks

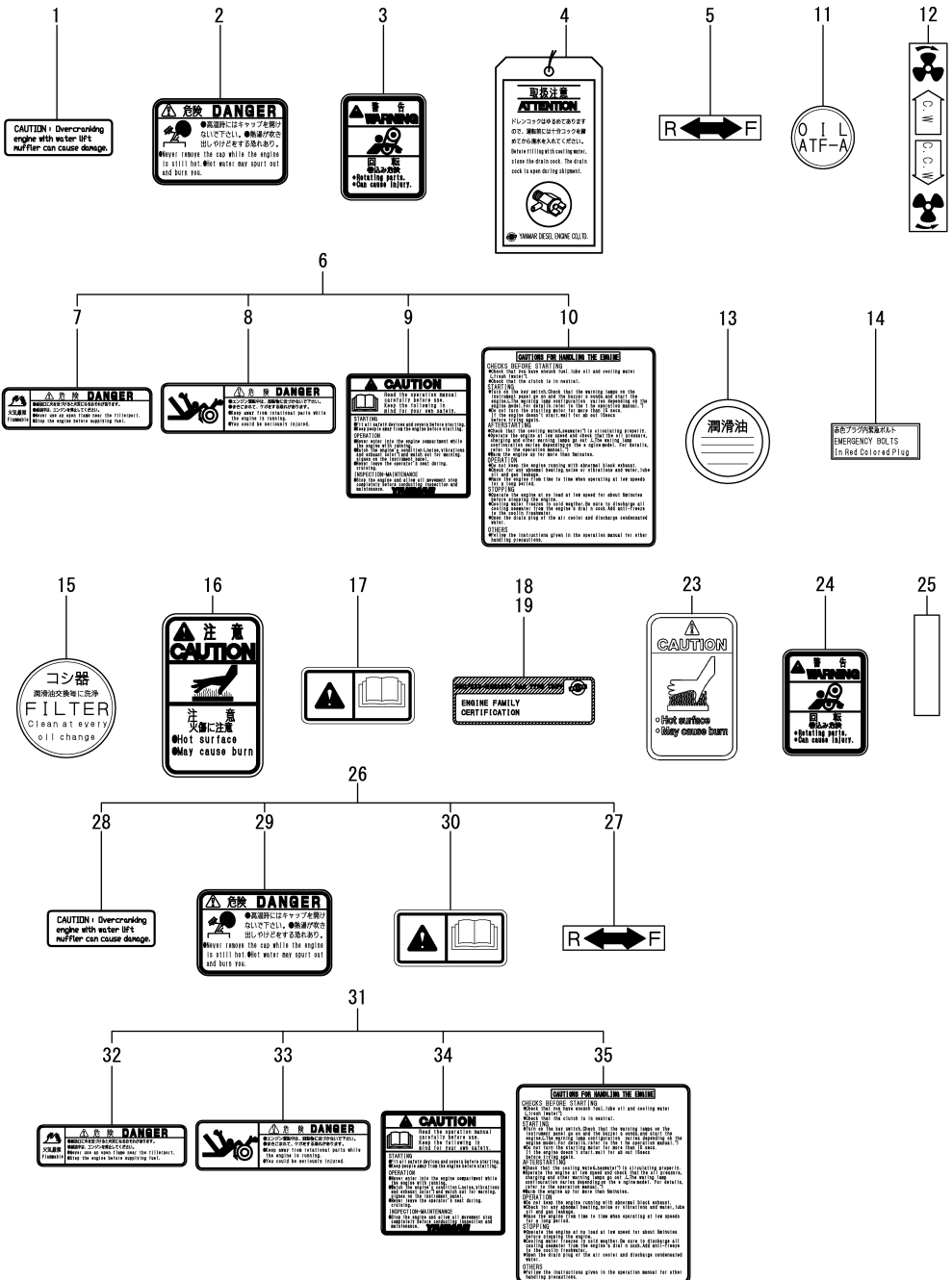
(1)It is compatible by changing the gasket of No.3 into a liquefied gasket.

N:Old $\xrightarrow{\text{Yes}}$ New, Q:Old $\xrightarrow{\text{No}}$ New, R:Old $\xrightarrow{\text{Yes}}$ New, S:Old $\xrightarrow{\text{No}}$ New, W:Add, Z:Discontinued, F:Interchangeable by set, K:Q'ty Change

Fig.6. LABEL

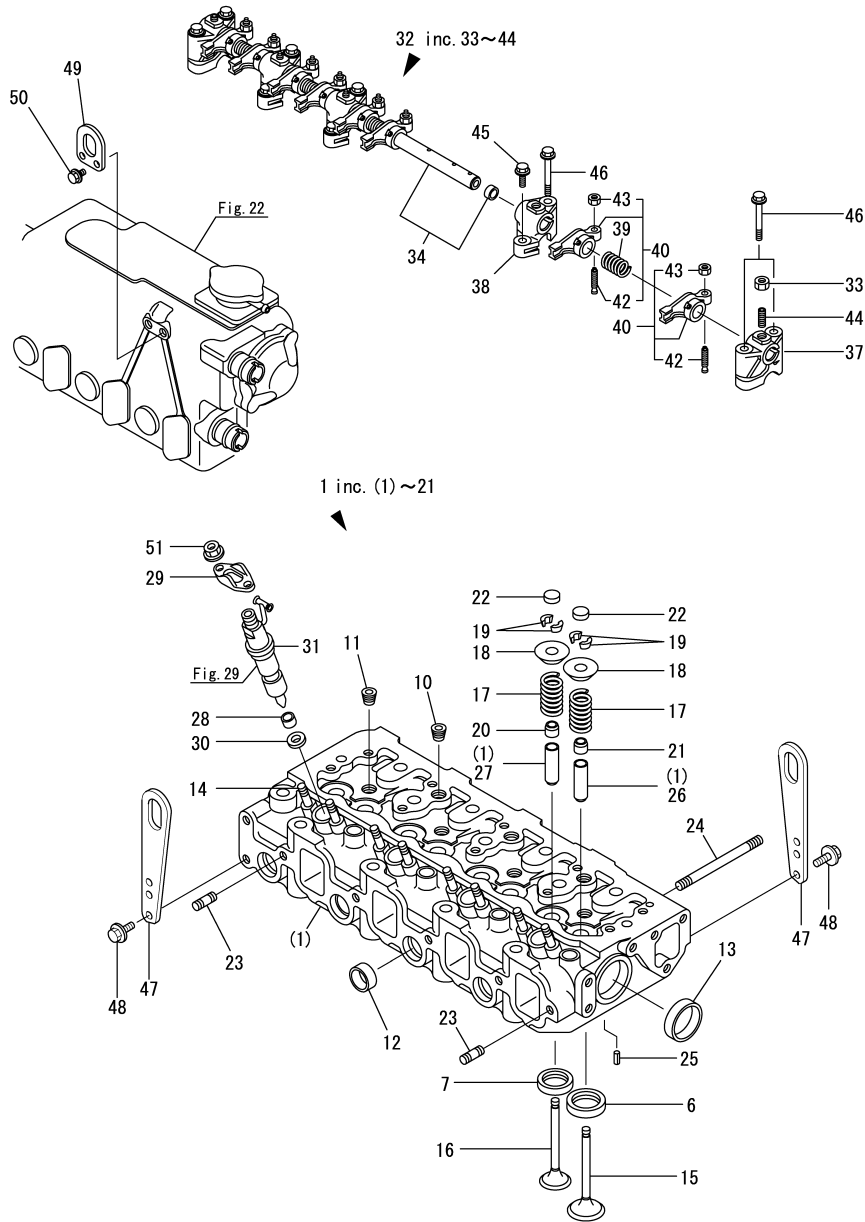
(A)=4JH3-HTE
(B)=4JH3-DTE
(C)=

(D)=
(E)=
(F)=



No.	Lev.	Parts No.	Description	Q'ty						I	R
				(A)	(B)	(C)	(D)	(E)	(F)		
1	1	128171-07150	LABEL	1	1						
2	1	128296-07260	LABEL, DANGER	1	1						
3	1	128296-07350	LABEL, DANGER	1	1						
4	1	123682-07851	LABEL, CAUTION	1	1						
4-1	1	123682-07852	LABEL, CAUTION	1	1						S
		(A=E21999) (B=E31647)									
5	1	177088-02430	LABEL	1	1						
6	1	128296-07190	LABEL, LOOSE PARTS	1	1						
7	2	128296-07400	LABEL, DANGER	2	2						
8	2	128296-07420	LABEL, DANGER	1	1						
9	2	128296-07450	LABEL, DANGER	1	1						
10	2	128296-07460	LABEL, DANGER	1	1						
11	1	177075-02550	LABEL	1	1						
12	1	177073-02431	LABEL, DIRECTION	1	1						
13	1	177050-02811	LABEL	1	1						
14	1	177061-02811	LABEL, EMERGENCY BOLT	1	1						
15	1	177050-02821	LABEL, STRAINER	1	1						
16	1	128296-07300	LABEL, DANGER	1	1						
17	1	196630-12980	LABEL, CAUTION	1	1						
18	1	129672-07560	LABEL, BSO	1							
19	1	129673-07560	PLATE (CERTIFICATE)		1						
23	1	128377-07270	LABEL, CAUTION	1	1						W
		(A=*2013.06) (B=*2013.06)									
23-1	1	120650-07060	LABEL, HOT SURFACE	1	1						R
		(A=*2014.02) (B=*2014.02)									
24	1	128377-07350	LABEL, CAUTION	1	1						W
		(A=*2013.06) (B=*2013.06)									
25	1	128990-34900	LABEL, OIL CHECK	1	1						W
		(A=*2013.06) (B=*2013.06)									
26	1	128990-07900	LABEL ASSY, CAUTION	1	1						W
		(A=*2013.06) (B=*2013.06)									
27	2	177088-02430	LABEL	1	1						
28	2	128377-07150	LABEL, CAUTION	1	1						
29	2	128990-07270	LABEL, PRESSURE CAP	1	1						
30	2	196630-12980	LABEL, CAUTION	1	1						
31	1	128377-07190	LABEL, LOOSE PARTS	1							W
		(A=*2013.06)									
32	2	128377-07400	LABEL, DANGER		2						
33	2	128377-07420	LABEL, DANGER		2						
34	2	128377-07450	LABEL, CAUTION		1						
35	2	128377-07460	LABEL, CAUTION		1						

Fig.7. CYLINDER HEAD(4JH3-HTE)



(A)=4JH3-HTE
(B)=4JH3-DTE
(C)=

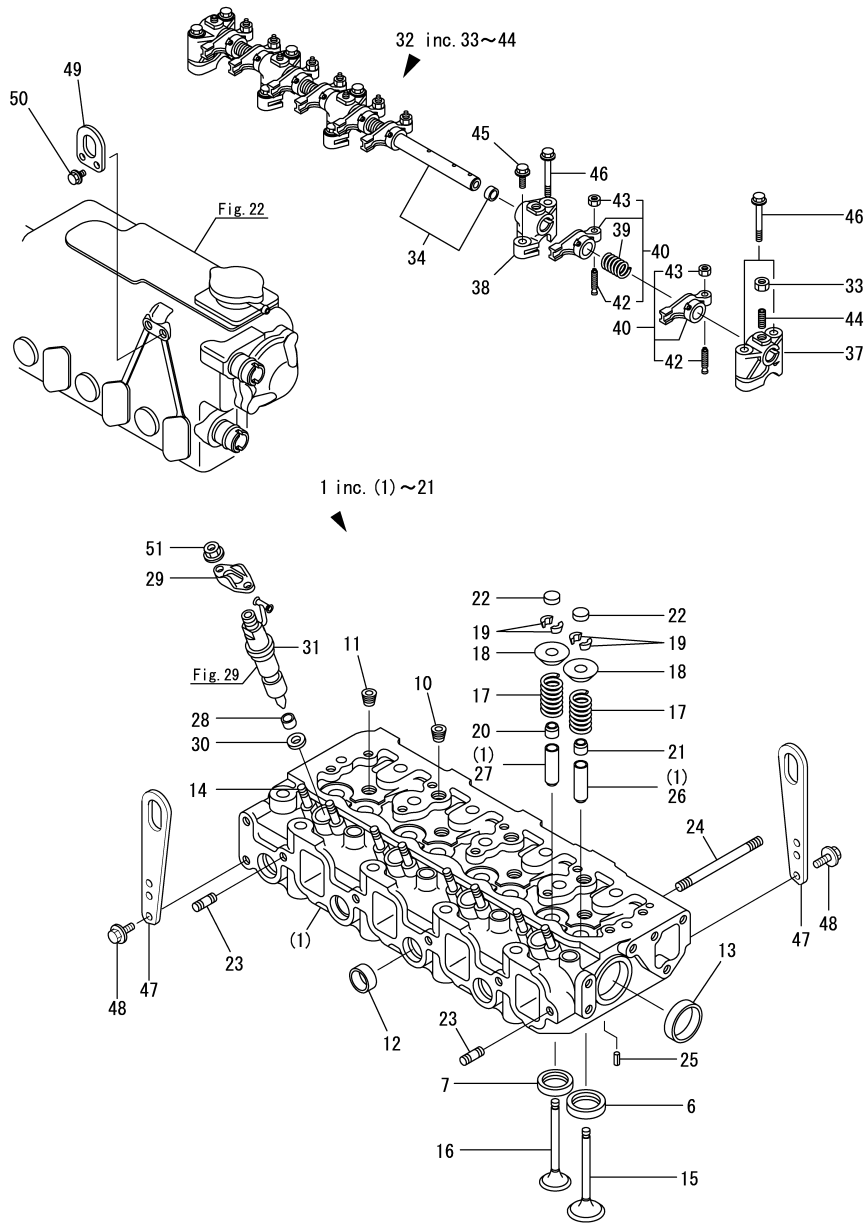
(D)=
(E)=
(F)=

No.	Lev.	Parts No.	Description	Q'ty						I	R
				(A)	(B)	(C)	(D)	(E)	(F)		
1	1	729672-11700	HEAD ASSY, CYLINDER	1							
1-1	1	729672-11000	HEAD ASSY, CYLINDER	1							N
(A=*2003.06)											
6	3	129795-11080	SEAT, INTAKE VALVE	4							
7	3	129795-11090	SEAT, EXHAUST VALVE	4							
10	3	23876-020000	PLUG, R02	3							
10-1	3	121850-11860	PLUG, PT1/4	3							N
(A=*2008.01)											
11	3	23876-030000	PLUG, R03	4							
12	3	27241-220000	PLUG, 22	4							
13	3	27241-400000	PLUG, 40	2							
14	2	26216-060202	STUD, M6X 20	8							
15	2	129120-11100	VALVE, INTAKE	4							
16	2	129120-11110	VALVE, EXHAUST	4							
17	2	129795-11120	SPRING, VALVE	8							
18	2	129795-11180	RETAINER, SPRING	8							
19	2	27310-080001	COTTER, 8	8							
20	2	121400-11340	SEAL, VALVE STEM	4							
21	2	124460-11340	SEAL, VALVE STEM	4							
22	2	129150-11370	CAP, VALVE	8							
23	2	26216-080222	STUD, M8X 22	2							
24	2	129693-44300	STUD	2							
25	1	22351-060012	PIN, SPRING 6.0X12	2							
26	1	120130-11860	GUIDE, VALVE	4							1
27	1	129150-11810	GUIDE, VALVE	4							1
28	1	119625-11870	PROTECTOR, NOZZLE	4							
28-1	1	119625-11872	PROTECTOR, NOZZLE	4							R
(A=E21999)											
28-2	1	119625-11870	PROTECTOR, NOZZLE	4							N
(A=E22026)											
29	1	119625-11900	RETAINER, NOZZLE	4							
30	1	119625-11880	SEAT, NOZZLE	4							
31	1	129470-11920	GASKET	4							
32	1	129555-11241	SHAFT ASSY, ROCKER	1							
33	2	26756-080002	NUT, LOCK M8	3							
34	2	129550-11290	SHAFT, ROCKER ARM	1							
37	2	129155-11260	SUPPORT, ROCKER ARM	2							
38	2	129155-11270	SUPPORT, ROCKER ARM	3							
39	2	129150-11280	SPRING	4							
40	2	729402-11650	ARM ASSY, ROCKER	8							
42	3	129150-11230	SCREW, VALVE ADJUST	8							
43	3	129150-11750	NUT, M8	8							
44	2	26226-080182	STUD, M8X 18	3							
44-1	2	119802-11280	STUD	3							R
(A=E21725)											
45	1	26106-080252	BOLT, M8X 25 PLATED	3							
46	1	26106-080502	BOLT, M8X 50 PLATED	7							
47	1	129900-07900	LIFTER	2							
48	1	26106-080162	BOLT, M8X 16 PLATED	4							
49	1	129470-07230	LIFTER	1							
50	1	26106-080162	BOLT, M8X 16 PLATED	2							

Remarks

(1) Spare parts.

Fig.7. CYLINDER HEAD(4JH3-HTE)



(A)=4JH3-HTE
(B)=4JH3-DTE
(C)=

(D)=
(E)=
(F)=

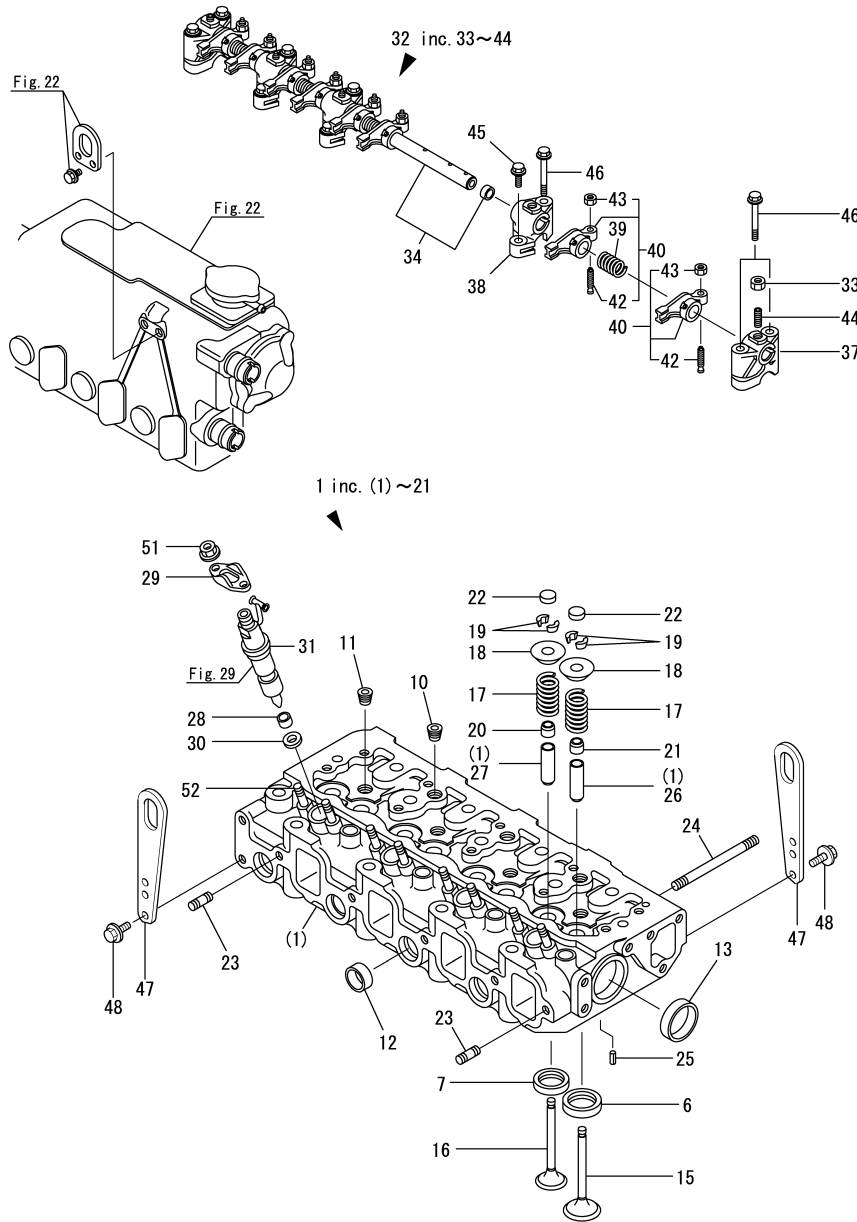
No.	Lev.	Parts No.	Description	Q'ty						I	R
				(A)	(B)	(C)	(D)	(E)	(F)		
51	1	26367-060002	NUT, M6	8							

Remarks

(1) Spare parts.

N:Old $\xleftrightarrow{\text{Yes}} \text{New}$, Q:Old $\xleftrightarrow{\text{No}} \text{New}$, R:Old $\xleftrightarrow{\text{Yes}} \text{New}$, S:Old $\xleftrightarrow{\text{No}} \text{New}$, W:Add, Z:Discontinued, F:Interchangeable by set, K:Q'ty Change

Fig.8. CYLINDER HEAD(4JH3-DTE)



(A)=4JH3-HTE
(B)=4JH3-DTE
(C)=

(D)=
(E)=
(F)=

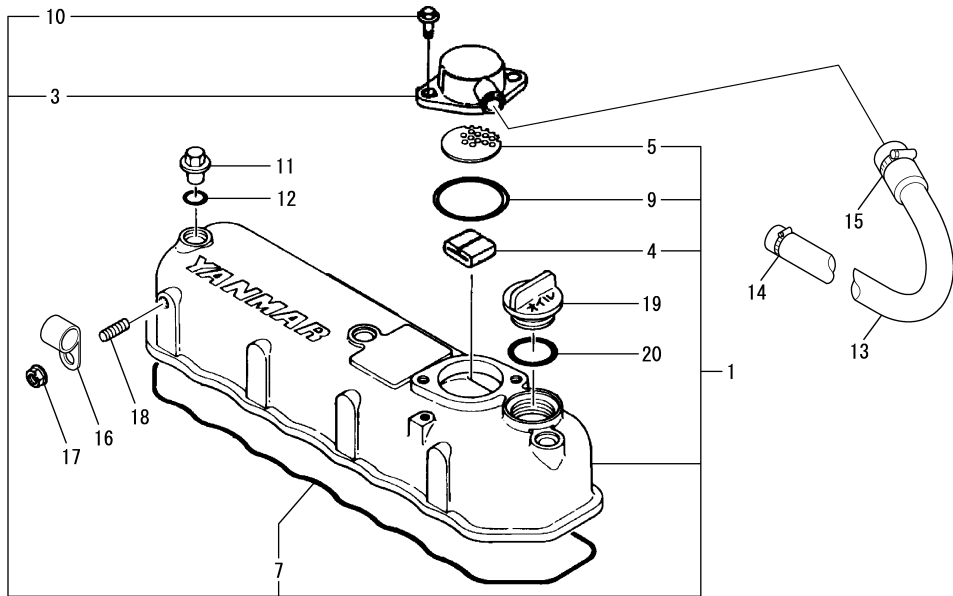
No.	Lev.	Parts No.	Description	Q'ty						I	R
				(A)	(B)	(C)	(D)	(E)	(F)		
1	1	729693-11700	HEAD ASSY, CYLINDER	1							
1-1	1	729693-11050	HEAD ASSY, CYLINDER (B=*2003.06)	1							N
6	3	129795-11080	SEAT, INTAKE VALVE		4						
7	3	129795-11090	SEAT, EXHAUST VALVE		4						
10	3	23876-020000	PLUG, R02		3						
10-1	3	121850-11860	PLUG, PT1/4 (B=*1999.05)		3						R
11	3	23876-030000	PLUG, R03		4						
12	3	27241-220000	PLUG, 22		4						
13	3	27241-400000	PLUG, 40		2						
15	2	129120-11100	VALVE, INTAKE		4						
16	2	129120-11110	VALVE, EXHAUST		4						
17	2	129795-11120	SPRING, VALVE		8						
18	2	129795-11180	RETAINER, SPRING		8						
19	2	27310-080001	COTTER, 8		8						
20	2	121400-11340	SEAL, VALVE STEM		4						
21	2	124460-11340	SEAL, VALVE STEM		4						
22	1	129150-11370	CAP, VALVE		8						
23	1	26216-080222	STUD, M8X 22		2						
24	1	129693-44300	STUD		2						
25	1	22351-060012	PIN, SPRING 6.0X12		2						
26	1	120130-11860	GUIDE, VALVE		4						1
27	1	129150-11810	GUIDE, VALVE		4						1
28	1	129693-11870	INSULATOR		4						
29	1	119625-11900	RETAINER, NOZZLE		4						
30	1	129693-11880	SEAT, NOZZLE		4						
31	1	129470-11920	GASKET		4						
32	1	129555-11241	SHAFT ASSY, ROCKER		1						
33	2	26756-080002	NUT, LOCK M8		3						
34	2	129550-11290	SHAFT, ROCKER ARM		1						
37	2	129155-11260	SUPPORT, ROCKER ARM		2						
38	2	129155-11270	SUPPORT, ROCKER ARM		3						
39	2	129150-11280	SPRING		4						
40	2	729402-11650	ARM ASSY, ROCKER		8						
42	3	129150-11230	SCREW, VALVE ADJUST		8						
43	3	129150-11750	NUT, M8		8						
44	2	26226-080182	STUD, M8X 18		3						
44-1	2	119802-11280	STUD		3						R
45	1	26106-080252	BOLT, M8X 25 PLATED (B=E31435)		3						
46	1	26106-080502	BOLT, M8X 50 PLATED		7						
47	1	129900-07900	LIFTER		2						
48	1	26106-080162	BOLT, M8X 16 PLATED		4						
51	1	26367-060002	NUT, M6		8						
52	1	26216-060202	STUD, M6X 20		8						

Remarks

(1) Spare parts.

N:Old $\xrightarrow{\text{Yes}}$ New, Q:Old $\xrightarrow{\text{No}}$ New, R:Old $\xrightarrow{\text{Yes}}$ New, S:Old $\xrightarrow{\text{No}}$ New, W:Add, Z:Discontinued, F:Interchangeable by set, K:Q'ty Change

Fig.9. BONNET



(A)=4JH3-HTE
(B)=4JH3-DTE
(C)=

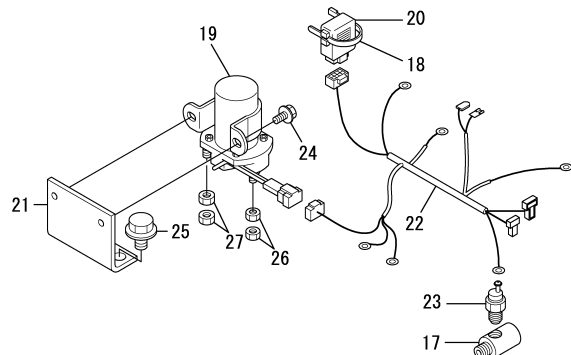
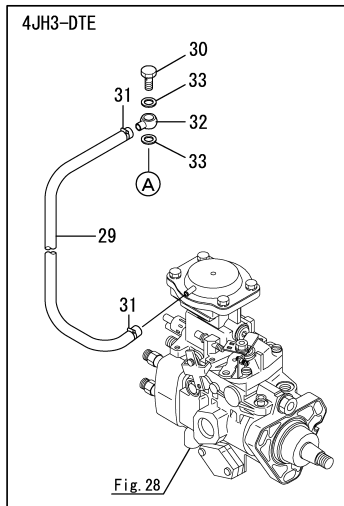
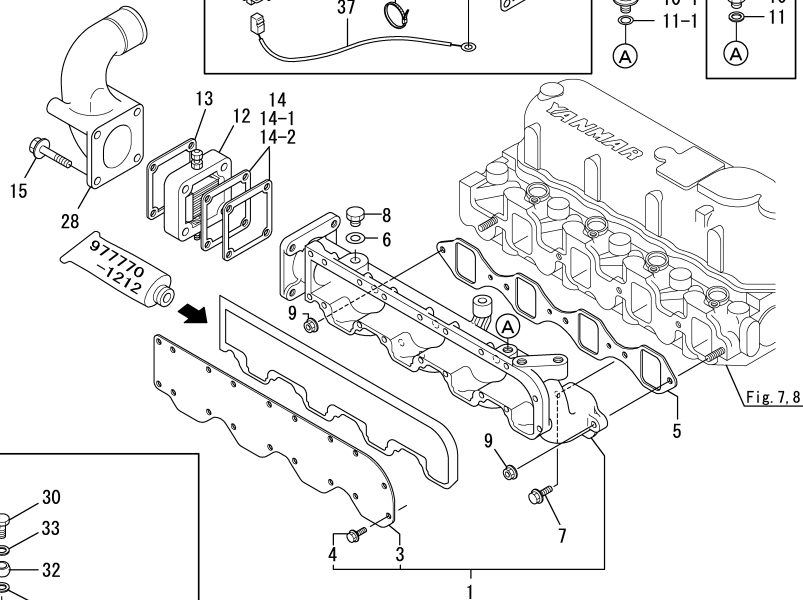
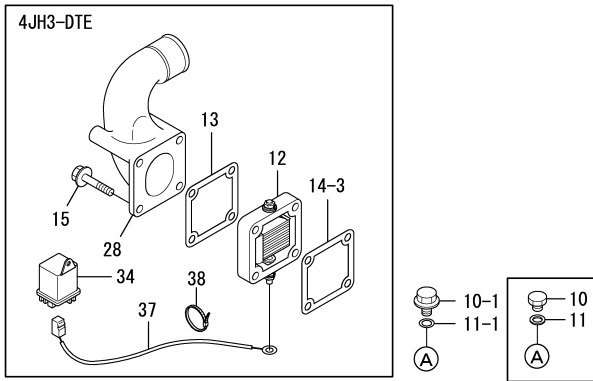
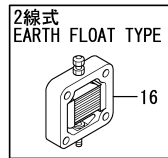
(D)=
(E)=
(F)=

No.	Lev.	Parts No.	Description	Q'ty						I	R
				(A)	(B)	(C)	(D)	(E)	(F)		
1	1	129577-11350	BONNET ASSY, HEAD	1	1						
3	2	129150-03020	COVER, BREATHER	1	1						
4	2	129150-03070	BAFFLE, BREATHER	1	1						
5	2	129150-03080	PLATE, BAFFLE	1	1						
7	2	129550-11310	GASKET, BONNET	1	1						
9	2	24341-000500	O-RING, 1A550.0	1	1						
10	2	26106-080162	BOLT, M8X 16 PLATED	2	2						
11	1	124160-11360	KNOB	3	3						
12	1	24311-000120	O-RING, 1AP12.0	3	3						
13	1	129672-03090	PIPE , BREATHER	1	1						
14	1	129301-03660	CLAMP 15	1	1						
15	1	129410-03990	CLIP,HOSE 21.5	1	1						
15-1	1	23000-025000	CLAMP, 25	1	1						N
		(A=*2013.06) (B=*2013.06)									
16	1	23297-160081	CLAMP, A16X 8	1	1						
17	1	26306-080002	NUT, M8	1	1						
17-1	1	26366-080002	NUT, M8	1	1						N
		(A=*2013.06) (B=*2013.06)									
18	1	121850-01910	STUD, M8X12	1	1						
19	1	124160-01751	COVER, FILLER	1	1						
20	1	24311-000320	O-RING, 1AP32.0	1	1						

Fig.10. SUCTION MANIFOLD

(A)=4JH3-HTE
(B)=4JH3-DTE
(C)=

(D)=
(E)=
(F)=



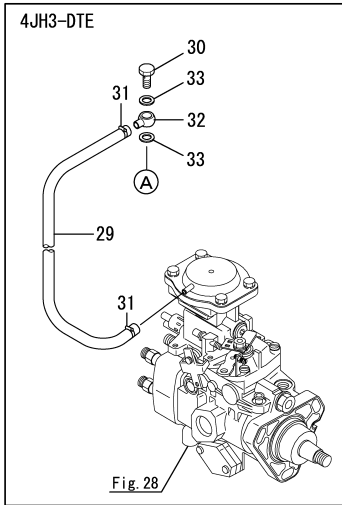
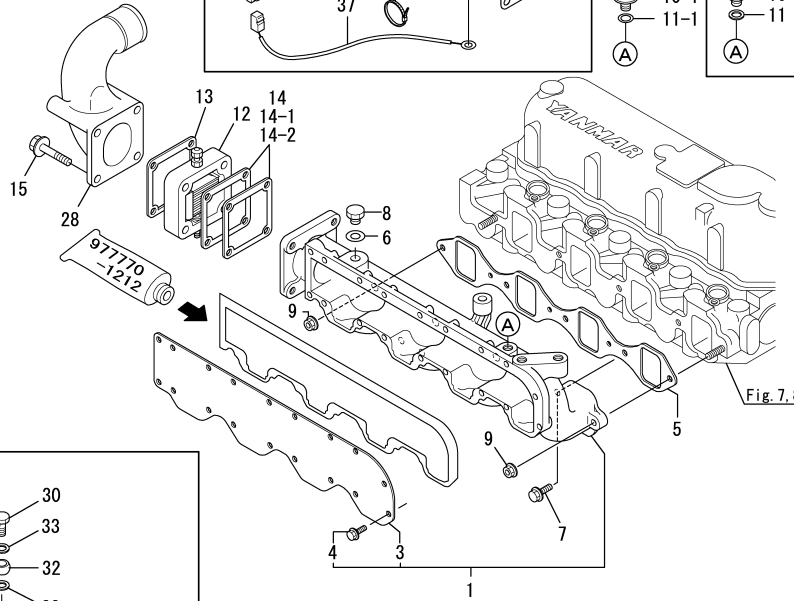
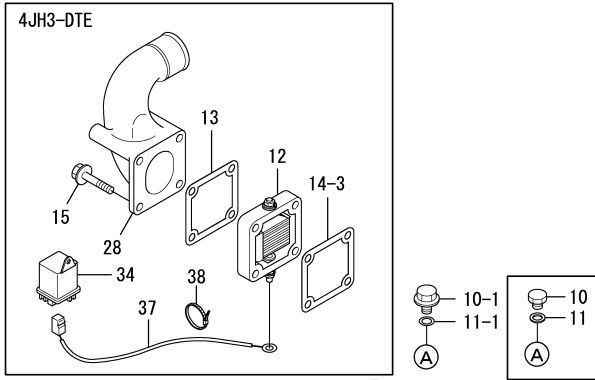
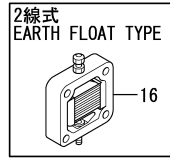
No.	Lev.	Parts No.	Description	Q'ty						I	R
				(A)	(B)	(C)	(D)	(E)	(F)		
1	1	129470-12100	MANIFOLD ASSY,INTAKE	1	1						
1-1	1	129698-12100	MANIFOLD ASSY,INTAKE	1	1						R
		(A=E20004) (B=E30004)									
3	2	129470-12120	COVER, MANIFOLD	1	1						
4	2	26476-060142	SCREW, TAPPING M6X14	18	18						
5	1	129470-12130	GASKET, MANIFOLD	1	1						
6	1	23414-100000	GASKET, 10X1.0	1	1						
7	1	26106-080202	BOLT, M8X 20 PLATED	3	3						
8	1	26106-100122	BOLT, M10X 12 PLATED	1	1						
8-1	1	23887-100002	PLUG, 10	1	1						N
		(A=FROM 1ST) (B=FROM 1ST)									
9	1	26306-080002	NUT, M8	2	2						
10	1	123482-01900	PLUG, M8-1.25	1							W
		(A=E20004)									
10-1	1	26106-080122	BOLT, M8X 12 PLATED	1							R
		(A=E20021)									
11	1	23414-080000	GASKET, 8X1.0	1							W
		(A=E20004)									
11-1	1	22190-080002	WASHER, SEAL 8	1							R
		(A=E20021)									
12	1	129100-77500	HEATER, AIR 12V	1	1						1
12-1	1	129100-77501	HEATER	1	1						R 1
		(A=*2006.06) (B=*2006.06)									
13	1	129100-77510	GASKET	1	1						1
14	1	129470-77590	GASKET	1	1						1
14-1	1	129470-77590	GASKET	2	2						K 1
		(A=E20207) (B=E30317)									
14-2	1	129150-77511	GASKET	2	2						N 1
		(A=*2005.02) (B=*2005.02)									
14-3	1	129150-77511	GASKET		1						K 1
		(B=E35417)									
15	1	26106-080402	BOLT, M8X 40 PLATED	4	4						1
16	1	129400-77501	HEATER	1							1
16-1	1	129400-77502	HEATER, AIR	1							N 1
		(A=*2012.04)									
17	1	129671-49990	JOINT, R3/8	1	1						1
18	1	194250-51660	BAND, NYLON	2	2						1
19	1	119575-77060	RELAY, HEATER	1	1						1
20	1	119575-77071	CONTROLLER	1	1						1
21	1	129671-77510	BRACKET, RELAY	1	1						1
22	1	129671-77920	HARNES, WIRE	1	1						1
23	1	124616-91370	SWITCH, 42	1	1						1
24	1	26106-060122	BOLT, M6X 12 PLATED	3	3						1
25	1	26106-100162	BOLT, M10X 16 PLATED	2	2						1
26	1	26716-060002	NUT, M6	2	2						1
27	1	26716-080002	NUT, M8	2	2						1
28	1	129474-18171	BEND	1	1						1
29	1	129693-18450	PIPE		1						
30	1	129198-59540	BOLT, PIPE JOINT M8		1						
31	1	23000-013000	CLAMP, 13		2						
32	1	23387-040800	JOINT, HOSE 4-8		1						

Remarks
(1)Optional parts.

Fig.10. SUCTION MANIFOLD

(A)=4JH3-HTE
(B)=4JH3-DTE
(C)=

(D)=
(E)=
(F)=



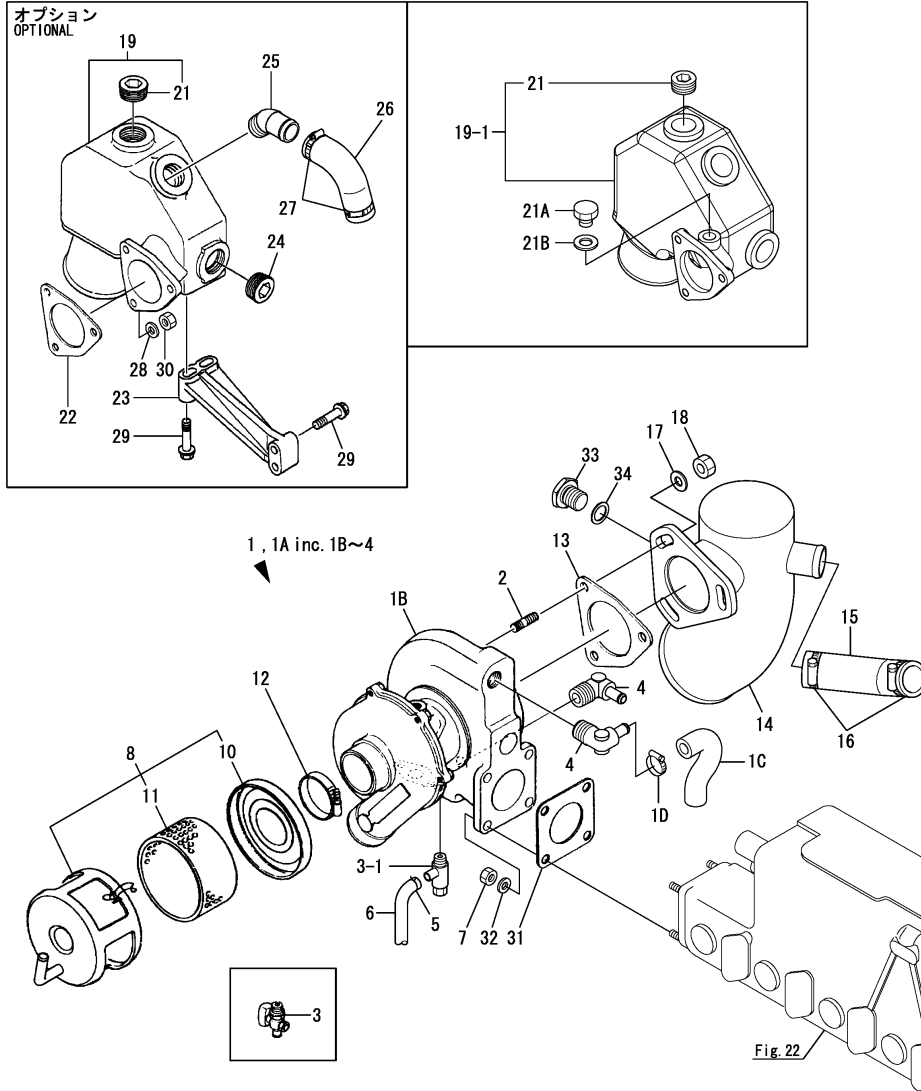
No.	Lev.	Parts No.	Description	Q'ty						I	R
				(A)	(B)	(C)	(D)	(E)	(F)		
33	1	23414-08000	GASKET, 8X1.0		2						
34	1	128990-77911	RELAY ASSY, GLOW (B=E35417)		1					W	1
37	1	129271-77921	HARNES, WIRE (HEATER) (B=E35417)		1					W	1
38	1	29622-250001	BAND, RF250 (B=E35417)		1					W	1

Remarks
(1) Optional parts.

Fig.11. TURBINE

(A)=4JH3-HTE
(B)=4JH3-DTE
(C)=

(D)=
(E)=
(F)=



No.	Lev.	Parts No.	Description	(A)	(B)	(C)	(D)	(E)	(F)	Q'ty	I	R
1	1	129672-18001	TURBINE, RHB52YW	1								
1-1	1	129693-18001	TURBINE, RHB52YW	1							S	1
		(A=E21461)										
1-2	1	129673-18010	TURBOCHARGER ASSY,DT	1								N
		(A=*2013.05.)										
1A	1	129693-18001	TURBINE, RHB52YW		1							
1A-1	1	129673-18010	TURBOCHARGER ASSY,DT		1							N
		(B=*2013.05.)										
1B	2	129693-18001	TURBINE, RHB52YW	1	1							
1C	2	129672-49500	PIPE	1	1							W
		(A=*2013.05.) (B=*2013.05.)										
1D	2	23000-013000	CLAMP, 13	1	1							W
		(A=*2013.05.) (B=*2013.05.)										
2	2	128170-13600	STUD, M8X31	3	3							W
		(A=*2006.07.) (B=*2006.07.)										
2-1	2	129670-13600	STUD	3	3							R
		(A=*2013.05.) (B=*2013.05.)										
3	2	128695-44090	COCK	1	1							
3-1	2	129670-49290	COCK ASSY, R1/8	1	1							N
		(A=E20381) (B=E30425)										
4	2	171007-49400	JOINT	2	2							
5	1	124460-77680	RETAINER	1	1							
6	1	23061-070300	PIPE, 7X 300	1	1							
7	1	26703-080002	NUT, M8	4	4							
8	1	129470-12301	SILENCER ASSY	1	1							
10	2	129470-12320	PLATE	1	1							
11	2	129470-12330	ELEMENT ASSY, AIR	1	1							
12	1	23000-054000	CLAMP, 54	1	1							
13	1	129472-13520	GASKET	1	1							
14	1	129673-13550	ELBOW	1	1							
14-1	1	129673-13551	ELBOW	1	1							F 2
		(A=*2005.06.) (B=*2005.06.)										
14-2	1	129673-13552	ELBOW,WATER MIXING	1	1							N
		(A=*2007.11.) (B=*2007.11.)										
15	1	129672-49090	PIPE, WATER	1	1							
15-1	1	129673-49110	PIPE, WATER	1	1							R
		(A=E20929) (B=E30857)										
16	1	23000-035000	CLAMP, 35	2	2							
16-1	1	129670-49500	CLIP, HOSE 38	2	2							R
		(A=E20955) (B=E30887)										
17	1	22137-080000	WASHER, 8	3	3							
18	1	26703-080002	NUT, M8	3	3							
19	1	129472-13500	ELBOW ASSY	1	1							
19-1	1	129472-13501	ELBOW ASSY	1	1							N
		(A=*2005.06.) (B=*2005.06.)										
21	2	129472-13560	PLUG, PT3/4	1	1							
21A	1	23893-020002	PLUG, G1/4	1	1							W
		(A=*2005.06.) (B=*2005.06.)										
21B	1	23414-130000	GASKET, 13X1.0	1	1							W
		(A=*2005.06.) (B=*2005.06.)										
22	1	129472-13520	GASKET	1	1							

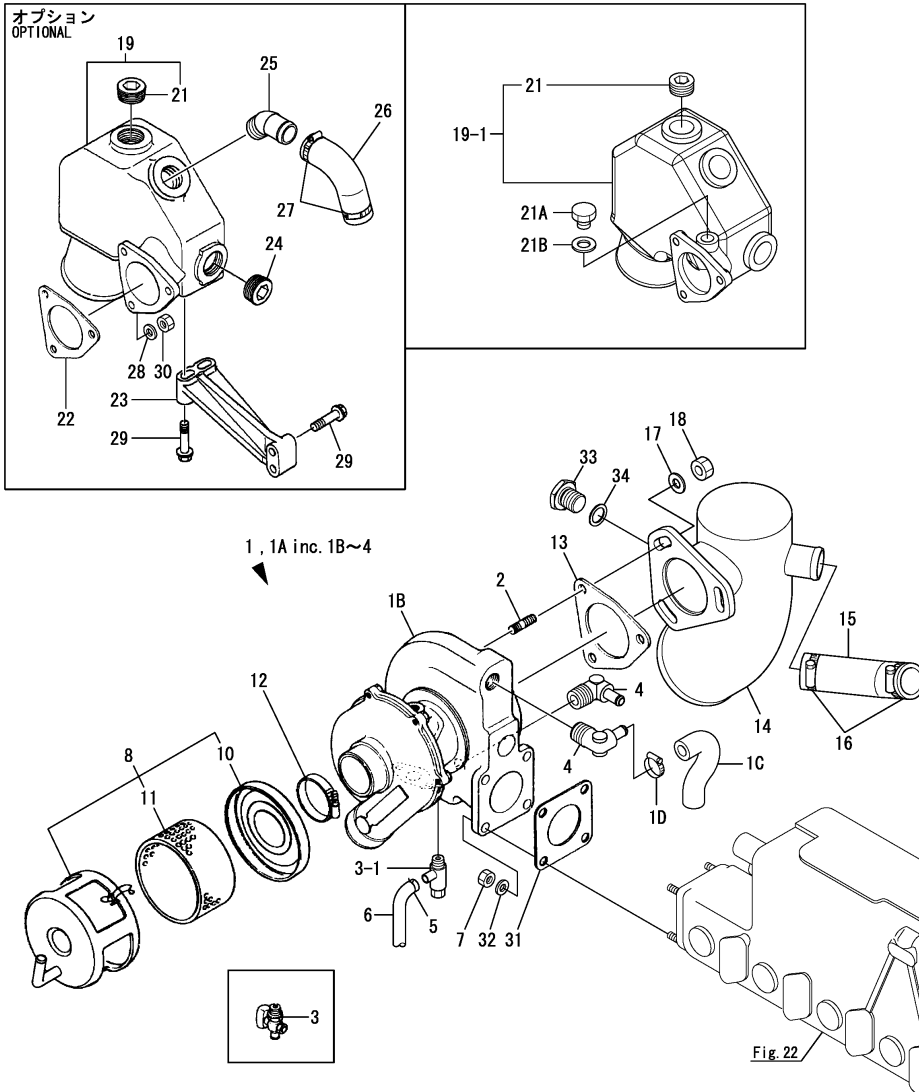
Remarks

- (1)Interchangeable by simultaneous replacement with Fig.16 No.1-1.
- (2)Interchangeable by simultaneous replacement with No.No.14-1, 33, 34.

Fig.11. TURBINE

(A)=4JH3-HTE
(B)=4JH3-DTE
(C)=

(D)=
(E)=
(F)=



No.	Lev.	Parts No.	Description	Q'ty						I	R
				(A)	(B)	(C)	(D)	(E)	(F)		
23	1	129472-13550	SUPPORT	1	1						
24	1	129472-13560	PLUG, PT3/4	1	1						
25	1	129673-49060	ELBOW, 45	1	1						
26	1	129673-49090	PIPE, WATER	1	1						
26-1	1	129673-49150	PIPE, WATER	1	1						R
				(A=*2003.02.)		(B=*2003.02.)					
27	1	23000-035000	CLAMP, 35	2	2						
27-1	1	129670-49500	CLIP, HOSE 38	2	2						R
				(A=E20955)		(B=E30887)					
28	1	22137-080000	WASHER, 8	3	3						
29	1	26106-080352	BOLT, M8X 35 PLATED	4	4						
30	1	26703-080002	NUT, M8	3	3						
31	1	129472-18090	GASKET	1	1						
32	1	22133-080000	WASHER, 8	4	4						W
				(A=E20021)		(B=E30075)					
33	1	23893-020002	PLUG, G1/4	1	1						W 2
				(A=*2005.06.)		(B=*2005.06.)					
33-1	1	129671-13570	PLUG G 1/4A	1	1						N
				(A=*2007.11.)		(B=*2007.11.)					
34	1	23414-130000	GASKET, 13X1.0	1	1						W 2
				(A=*2005.06.)		(B=*2005.06.)					

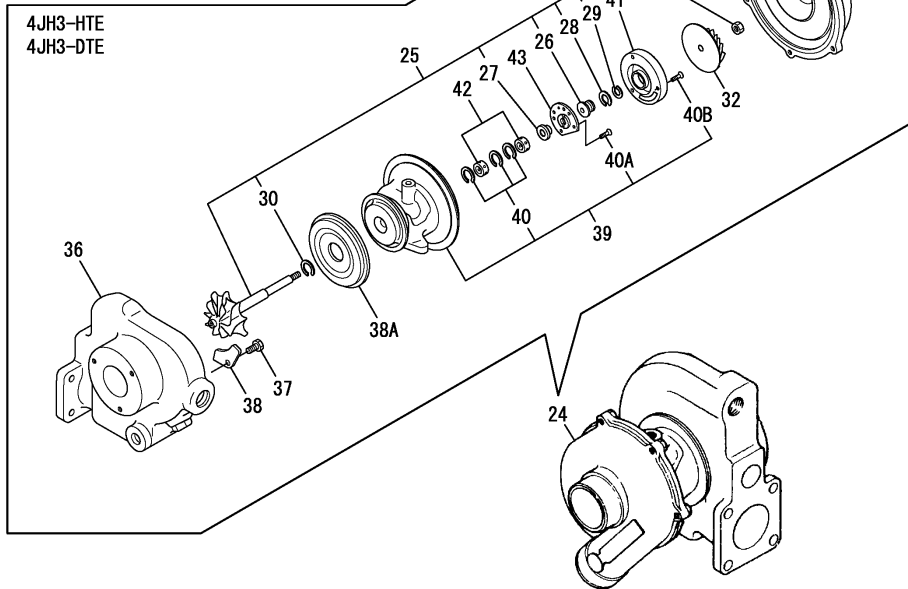
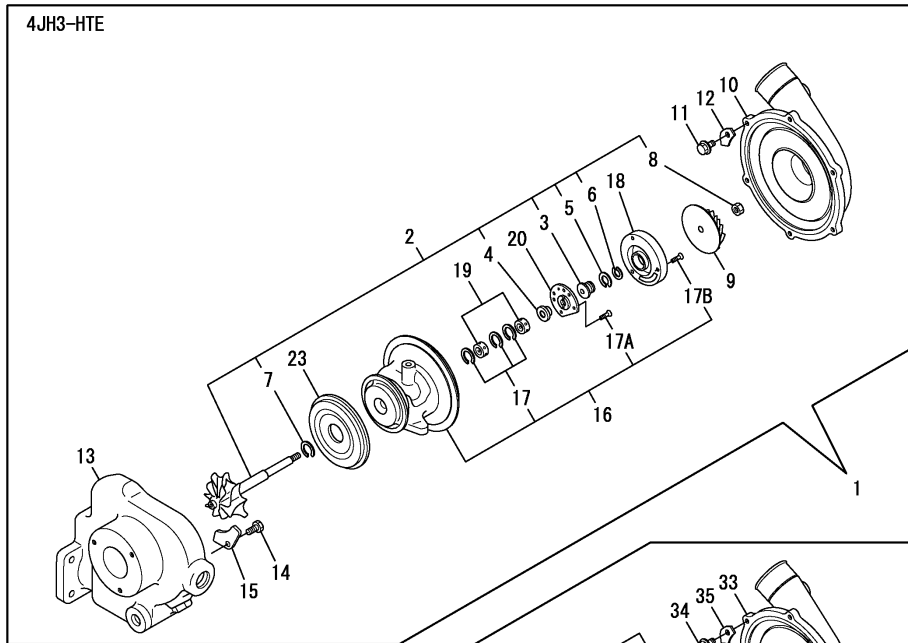
Remarks

- (1)Interchangeable by simultaneous replacement with Fig.16 No.1-1.
- (2)Interchangeable by simultaneous replacement with No.No.14-1, 33, 34.

Fig.12. TURBINE(INNER PARTS)

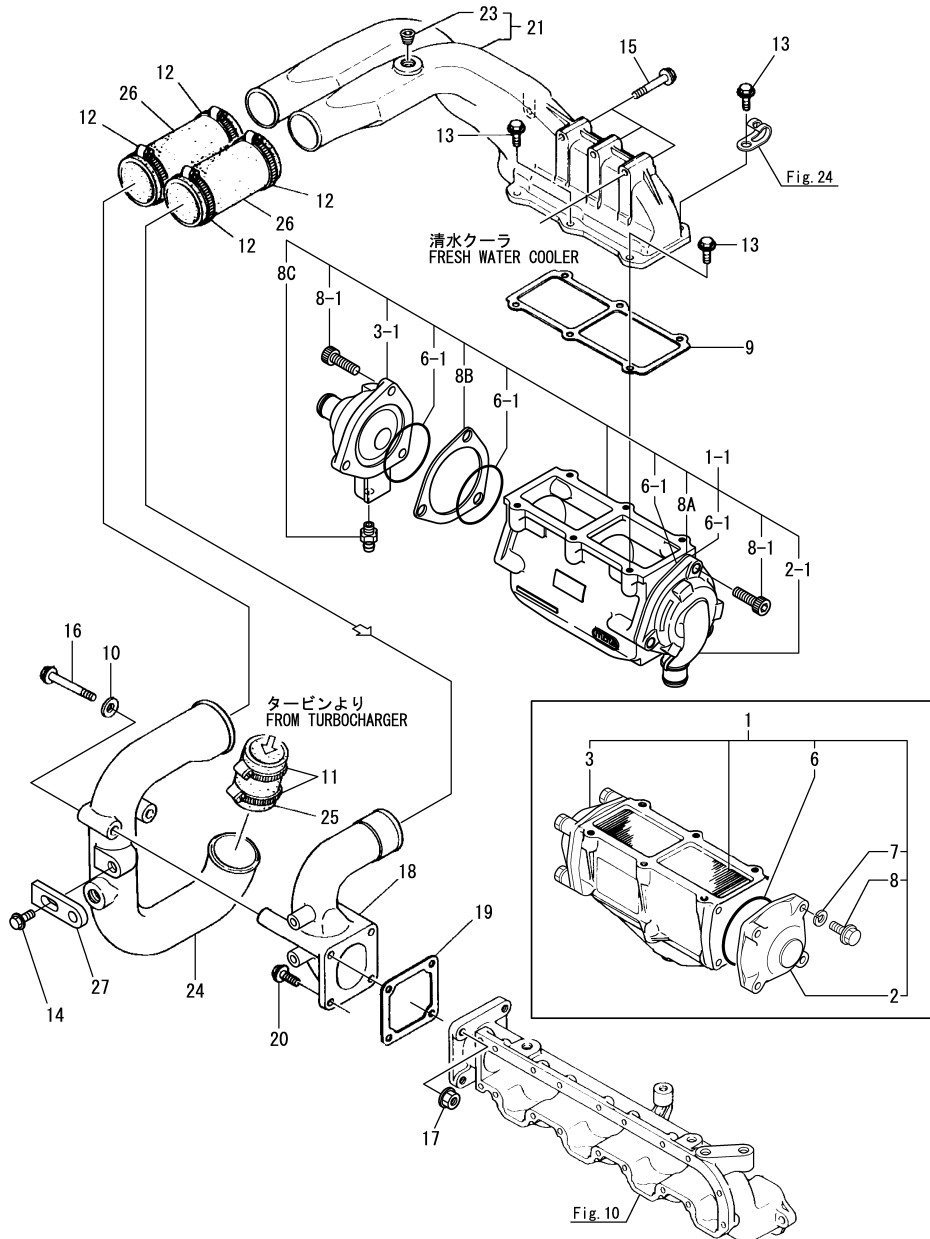
(A)=4JH3-HTE
(B)=4JH3-DTE
(C)=

(D)=
(E)=
(F)=



No.	Lev.	Parts No.	Description	Q'ty						I	R
				(A)	(B)	(C)	(D)	(E)	(F)		
1	1	129672-18001 (A=E21461)	TURBINE, RHB52YW	1							Z
2	2	XNN131570	ROTOR SET	1							
3	3	XNN131578	SHELTER	1							
4	3	XNN131579	BUSH, THRUST	1							
5	3	XNB131008	SEAL RING,BLOW.SIDE	1							
6	3	XNN131008	SEAL RING,BLOW.SIDE	1							
7	3	XNN131536	SEALING	1							
8	3	XN131108	NUT	1							
9	2	XNN136616	WHEEL	1							
10	2	XNE924970	HOUSING,BLOWER	1							
11	2	XNB134007	BOLT M 5	6							
12	2	XNN134035	RETAINER	6							
13	2	XNE928726	HOUSING,TURBINE	1							
14	2	XNN137007	BOLT, M8	4							
15	2	XNN137423	RETAINER	4							
16	2	XNE923383	HOUSING,BEARING	1							
17	3	XNN133208	CIRCLIP	3							
17A	3	XNB133206	SCREW	4							
17B	3	XNB133208	SCREW(SEAL PLATE	3							
18	2	XNN133022	PLATE, SEAL	1							
19	2	XNN133506	METAL, FLOATING	2							
20	2	XNN133596	METAL,THRUST	1							
23	2	XNN137055	PROTECTOR, HEAT	1							
24	1	129693-18001 (A=E21461)	TURBINE, RHB52YW	1	1						W
25	2	XNN131570	ROTOR SET	1	1						
26	3	XNN131578	SHELTER	1	1						
27	3	XNN131579	BUSH, THRUST	1	1						
28	3	XNB131008	SEAL RING,BLOW.SIDE	1	1						
29	3	XNN131008	SEAL RING,BLOW.SIDE	1	1						
30	3	XNN131536	SEALING	1	1						
31	3	XN131108	NUT	1	1						
32	2	XNN136616	WHEEL	1	1						
33	2	XNE924970	HOUSING,BLOWER	1	1						
34	2	XNB134007	BOLT M 5	6	6						
35	2	XNN134035	RETAINER	6	6						
36	2	XNN139666	HOUSING,TURBO	1	1						
37	2	XNN137007	BOLT, M8	4	4						
38	2	XNN137423	RETAINER	4	4						
38A	2	XNN137055	PROTECTOR, HEAT	1	1						
39	2	XNE923383	HOUSING,BEARING	1	1						
40	3	XNN133208	CIRCLIP	3	3						
40A	3	XNB133206	SCREW	4	4						
40B	3	XNB133208	SCREW(SEAL PLATE	3	3						
41	2	XNN133022	PLATE, SEAL	1	1						
42	2	XNN133506	METAL, FLOATING	2	2						
43	2	XNN133596	METAL,THRUST	1	1						

Fig.13. AIR COOLER



(A)=4JH3-HTE
(B)=4JH3-DTE
(C)=

(D)=
(E)=
(F)=

No.	Lev.	Parts No.	Description	Q'ty						I	R
				(A)	(B)	(C)	(D)	(E)	(F)		
1	1	129673-18100	COOLER ASSY, INTER	1	1						
1-1	1	129672-18110	COOLER ASSY, INTER	1	1						S 1
		(A=*2006.10) (B=*2006.10)									
2	2	129673-18220	BOX, WATER A	1	1						
2-1	2	129672-18130	COVER	1	1						S
		(A=*2006.10) (B=*2006.10)									
3	2	129673-18230	BOX, WATER B	1	1						
3-1	2	129672-18140	COVER	1	1						S
		(A=*2006.10) (B=*2006.10)									
6	2	129673-18250	O-RING	2	2						W
		(A=FROM 1ST) (B=FROM 1ST)									
6-1	2	129672-18170	O-RING, D81.2X3.53	4	4						S
		(A=*2006.10) (B=*2006.10)									
7	2	22217-080000	WASHER, SPRING 8	8	8						W
		(A=FROM 1ST) (B=FROM 1ST)									
7-1	2	22217-080000	WASHER, SPRING 8	8	8						Z
		(A=*2006.10) (B=*2006.10)									
8	2	26106-080302	BOLT, M8X 30 PLATED	8	8						W
		(A=FROM 1ST) (B=FROM 1ST)									
8-1	2	129672-18180	BOLT, M8X40	6	6						S
		(A=*2006.10) (B=*2006.10)									
8A	2	129672-18150	ELEMENT	1	1						W
		(A=*2006.10) (B=*2006.10)									
8B	2	129672-18160	SPACER	1	1						W
		(A=*2006.10) (B=*2006.10)									
8C	2	129672-18190	PLUG ASSY, DRAIN	1	1						W
		(A=*2006.10) (B=*2006.10)									
9	1	129573-18120	GASKET	1	1						
10	1	22137-080000	WASHER, 8	2	2						
11	1	23000-054000	CLAMP, 54	2	2						
12	1	23000-070000	CLAMP, 70	4	4						
12-1	1	43730-552161	CLIP HOSE,61	4							R
		(A=*2010.10)									
13	1	26106-080202	BOLT, M8X 20 PLATED	6	6						
14	1	26106-080202	BOLT, M8X 20 PLATED	1	1						
15	1	26106-080502	BOLT, M8X 50 PLATED	3	3						
16	1	26116-082002	BOLT, M8X200 PLATED	2	2						
17	1	26306-080002	NUT, M8	2	2						
17-1	1	26366-080002	NUT, M8	2	2						R
		(B=*2013.05)									
18	1	129474-18151	BEND	1	1						
19	1	129470-77590	GASKET	1	1						
19-1	1	129150-77511	GASKET	1	1						R
		(A=*2005.02) (B=*2005.02)									
20	1	26106-080202	BOLT, M8X 20 PLATED	2	2						
21	1	129474-18181	DUCT ASSY, AIR	1	1						
23	2	23876-010000	PLUG, R01	1	1						
24	1	129595-18132	DUCT, AIR	1	1						
25	1	129595-18141	JOINT, RUBBER	1	1						
25-1	1	129671-18150	JOINT, RUBBER	1							R
		(B=*2006.12)									

Remarks

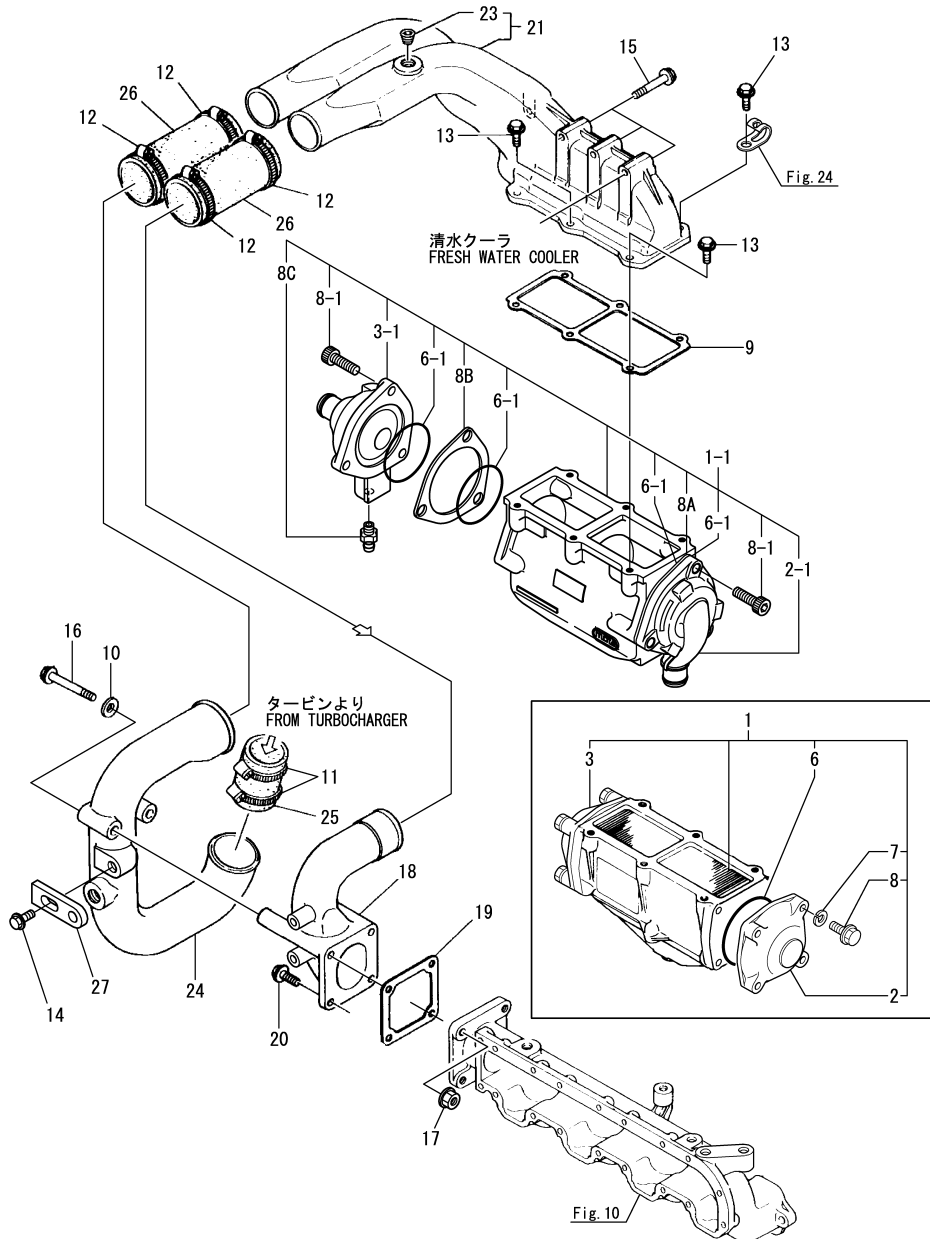
(1)Interchangeable by simultaneous replacement with Fig.23 No.1-2, 11-1.

N:Old $\xrightarrow{\text{Yes}}$ New, Q:Old $\xrightarrow{\text{No}}$ New, R:Old $\xrightarrow{\text{Yes}}$ New, S:Old $\xrightarrow{\text{No}}$ New, W:Add, Z:Discontinued, F:Interchangeable by set, K:Q'ty Change
 ++ CONTINUE ++
 Copyright (C) 2014 YANMAR CO., LTD. All Rights Reserved.

Fig.13. AIR COOLER

(A)=4JH3-HTE
(B)=4JH3-DTE
(C)=

(D)=
(E)=
(F)=



No.	Lev.	Parts No.	Description	Q'ty						I	R
				(A)	(B)	(C)	(D)	(E)	(F)		
26	1	129595-18151	JOINT, RUBBER	2	2						
26-1	1	129673-18140 (B=*2006.12)	JOINT, RUBBER		2						R
27	1	129693-18150	RETAINER	1	1						
27-1	1	129673-18150 (B=*2007.01)	CLAMP		1						R

Remarks

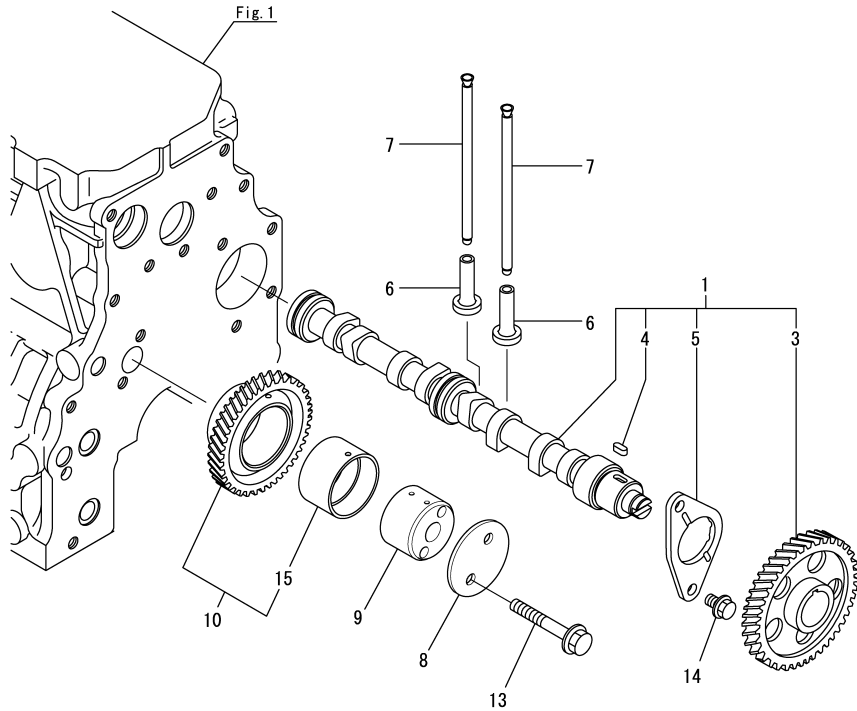
(1)Interchangeable by simultaneous replacement with Fig.23 No.1-2, 11-1.

N:Old $\xrightarrow{\text{Yes}}$ New, Q:Old $\xrightarrow{\text{No}}$ New, R:Old $\xrightarrow{\text{Yes}}$ New, S:Old $\xrightarrow{\text{No}}$ New, W:Add, Z:Discontinued, F:Interchangeable by set, K:Q'ty Change

Fig.14. CAMSHAFT

(A)=4JH3-HTE
(B)=4JH3-DTE
(C)=

(D)=
(E)=
(F)=



No.	Lev.	Parts No.	Description	Q'ty						I	R
				(A)	(B)	(C)	(D)	(E)	(F)		
1	1	129472-14000	CAMSHAFT ASSY	1	1						
3	2	129150-14101	GEAR, CAMSHAFT	1	1						
4	2	22512-070140	KEY, 7X 14	1	1						
5	2	129150-02450	BEARING, THRUST	1	1						
6	1	129150-14200	TAPPET	8	8						
7	1	119171-14400	ROD, PUSH L=178	8	8						
8	1	129150-25020	RETAINER	1	1						
9	1	129150-25052	SHAFT, IDLE	1	1						
10	1	129672-25100	GEAR ASSY, IDLE	1							
10-1	1	129693-25100	GEAR ASSY, IDLE	1							N
		(A=*2006.12)									
10A	1	129693-25100	GEAR ASSY, IDLE		1						
13	1	119174-25060	BOLT, M8X45	2	2						
14	1	26106-080142	BOLT, M8X 14 PLATED	2	2						
15	1	129573-25090	BUSH, IDLE GEAR	1	1						1

Remarks

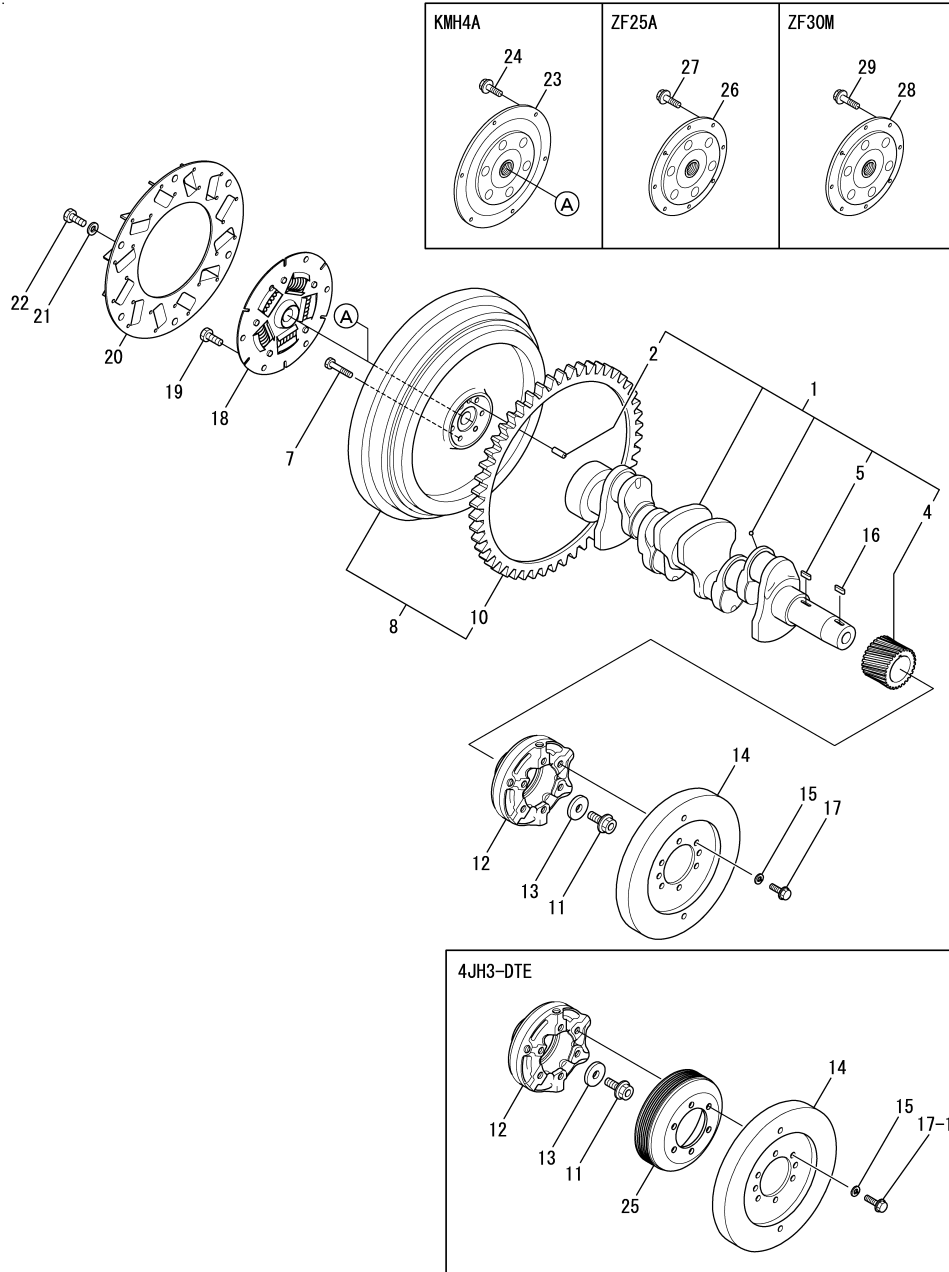
(1) Spare parts.

N:Old $\xrightarrow{\text{Yes}}$ New, Q:Old $\xrightarrow{\text{No}}$ New, R:Old $\xrightarrow{\text{Yes}}$ New, S:Old $\xrightarrow{\text{No}}$ New, W:Add, Z:Discontinued, F:Interchangeable by set, K:Q'ty Change

Fig.15. CRANKSHAFT & FLYWHEEL

(A)=4JH3-HTE
(B)=4JH3-DTE
(C)=

(D)=
(E)=
(F)=



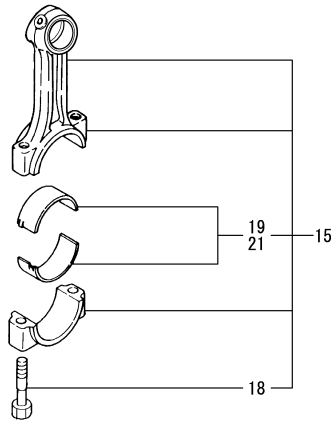
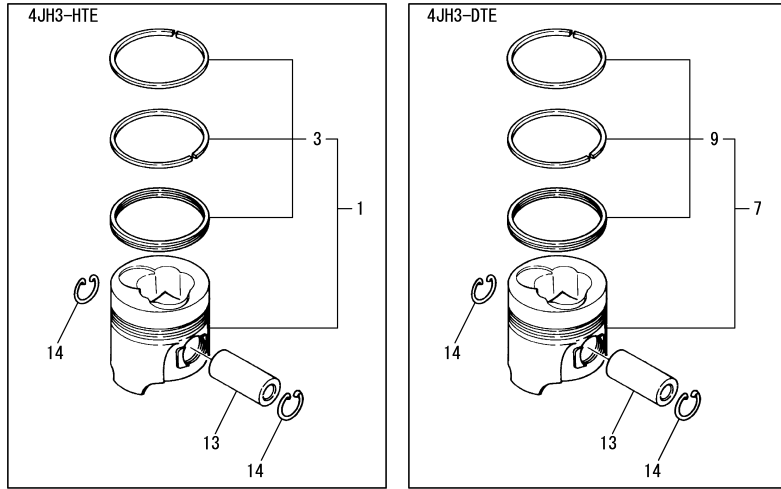
No.	Lev.	Parts No.	Description	(A)	(B)	(C)	(D)	(E)	(F)	I	R
1	1	129418-21000	CRANKSHAFT ASSY	1							
1-1	1	129672-21000	CRANKSHAFT ASSY	1							N
(A=*2011.04)											
1A	1	129698-21000	CRANKSHAFT ASSY		1						
1A-1	1	129698-21001	CRANKSHAFT ASSY		1						N
(B=*2011.04)											
2	2	129100-01580	PIN, 8X16		1	1					
4	2	129150-21200	GEAR, CRANKSHAFT		1						
4A	2	129189-21200	GEAR, CRANKSHAFT			1					
5	2	22512-070140	KEY, 7X 14		1	1					
7	1	121111-21501	BOLT, FLYWHEEL	6	6						
8	1	129574-21590	FLYWHEEL ASSY	1	1						
10	2	124550-21600	GEAR, RING	1	1						
11	1	121850-21130	BOLT, FLYWHEEL	1	1						
12	1	129693-21650	V-PULLEY, 82.5	1	1						
13	1	129693-21660	WASHER	1	1						
14	1	129693-28010	DAMPER	1	1						
14-1	1	129673-28010	DAMPER	1	1						R
(A=*2003.04) (B=*2003.04)											
15	1	22217-080000	WASHER, SPRING 8	6	6						
16	1	22512-070160	KEY, 7X 16	1	1						
17	1	26106-080162	BOLT, M8X 16 PLATED	6	6						
17-1	1	26106-080202	BOLT, M8X 20 PLATED		6						S 1
(B=E35417)											
18	1	177090-03500	DISK, DAMPER D190	1	1						
19	1	26106-080162	BOLT, M8X 16 PLATED	6	6						
20	1	129670-81850	FAN, FLYWHEEL	1	1						
21	1	22217-080000	WASHER, SPRING 8	6	6						Z
(A=*2013.07) (B=*2013.07)											
22	1	26106-080162	BOLT, M8X 16 PLATED	6	6						
22-1	1	26013-080142	BOLT, M8X 14	6	6						R
(A=*2013.07) (B=*2013.07)											
23	1	129673-81760	DISK, DAMPER	1	1						
24	1	26106-080202	BOLT, M8X 20 PLATED	6	6						
25	1	129673-21650	PULLEY, CRANK 6PK		1						W 1
(B=E35417)											
26	1	129673-81150	DISK, DAMPER	1	1						W
(A=*2003.03) (B=*2003.03)											
27	1	26106-080202	BOLT, M8X 20 PLATED	6	6						W
(A=*2003.03) (B=*2003.03)											
28	1	129673-81250	DISK, DAMPER	1							W
(A=*2003.03)											
29	1	26106-080252	BOLT, M8X 25 PLATED	6							W
(A=*2003.03)											

Remarks
(1)Valeo generator spec.

Fig.16. PISTON

(A)=4JH3-HTE
(B)=4JH3-DTE
(C)=

(D)=
(E)=
(F)=

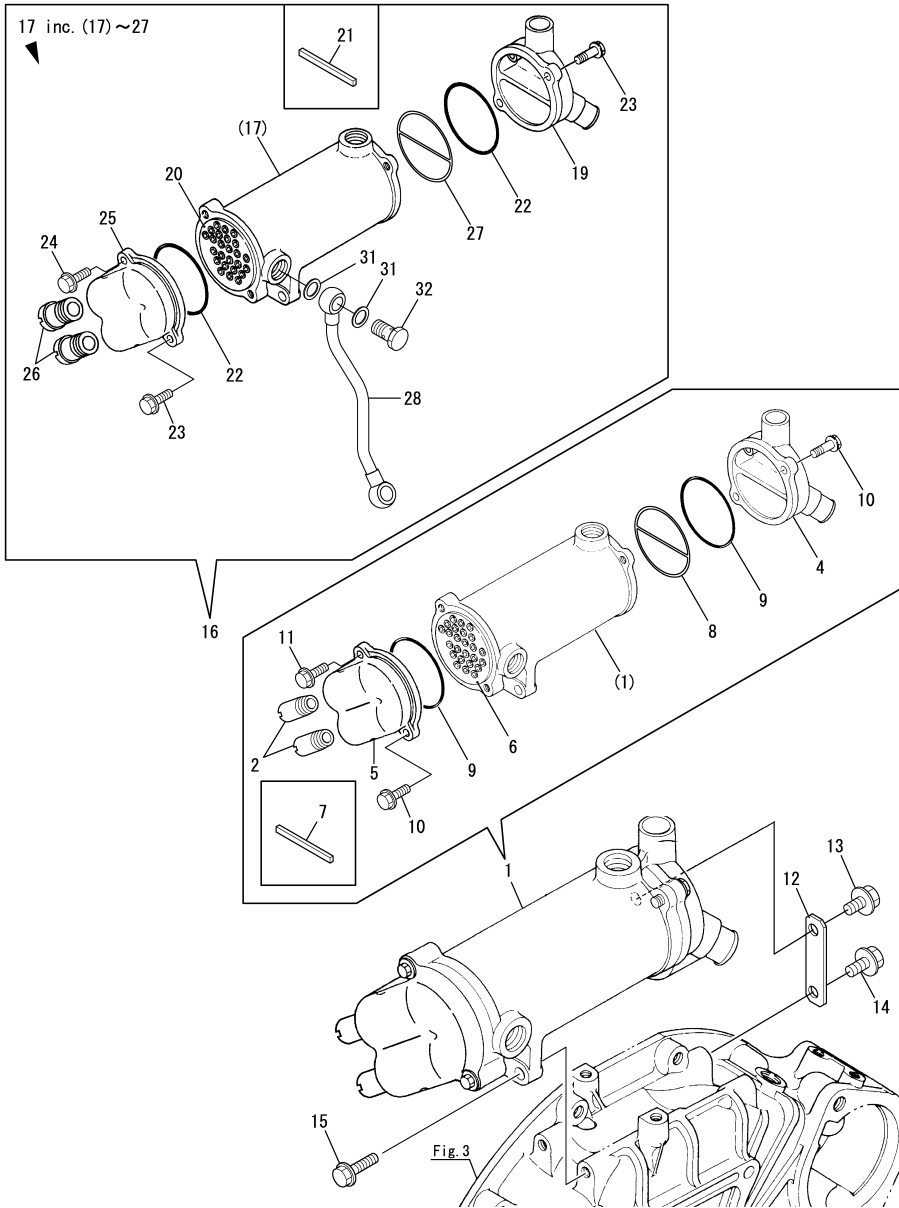


No.	Lev.	Parts No.	Description	Q'ty						I	R
				(A)	(B)	(C)	(D)	(E)	(F)		
1	1	129673-22000	PISTON ASSY	4							1
1-1	1	129672-22000	PISTON ASSY	4							S 2
		(A=E21461)									
1-2	1	129672-22001	PISTON ASSY	4							N
		(A=*2007.12)									
3	2	729692-22510	RING SET, PISTON	4							
3-1	2	129673-22500	PISTON RING CMP	4							N
		(A=*2007.12)									
3-2	2	129673-22501	RING SET,PISTON	4							N
		(A=*2010.12)									
7	1	129673-22000	PISTON ASSY		4						1
7-1	1	129673-22001	PISTON ASSY		4						N 1
		(B=*2007.12)									
7-2	1	129692-22002	PISTON ASSY		4						N 1
		(B=*2011.08)									
9	2	729692-22510	RING SET, PISTON		4						
9-1	2	129673-22500	PISTON RING CMP		4						N
		(B=*2007.12)									
9-2	2	129673-22501	RING SET,PISTON		4						N
		(B=*2011.08)									
13	1	129573-22301	PIN, PISTON D28 L69	4	4						
14	1	22252-000280	RING, 28	8	8						
15	1	729573-23700	ROD ASSY, CONNECTING	4	4						
15-1	1	129573-23000	ROD ASSY, CONNECTING	4	4						N
		(A=*2012.05)									
		(B=*2012.05)									
18	2	121550-23200	BOLT, CONNECTING ROD	8	8						
19	2	729150-23600	BEARING, CRANK PIN	4	4						
19-1	2	129150-23601	BEARING, CRANK PIN	4	4						N
		(A=*2006.03)									
		(B=*2006.03)									
21	1	129150-23610	BEARING, 0.25 US	4	4						3
21-1	1	129150-23611	BEARING, 0.25 US	4	4						N 3
		(A=*2006.03)									
		(B=*2006.03)									

Remarks

- (1)Over sized part is not set up.
- (2)Interchangeable by simultaneous replacement with Fig.11 No.1-1.
- Over sized part is not set up.
- (3)Under-sized (U.S.=0.25) parts.

Fig.17. LUB. OIL COOLER



(A)=4JH3-HTE
(B)=4JH3-DTE
(C)=

(D)=
(E)=
(F)=

No.	Lev.	Parts No.	Description	(A)	(B)	(C)	(D)	(E)	(F)	I	R
1	1	129673-33000	COOLER ASSY, OIL	1	1						
1-1	1	129673-33001	COOLER ASSY, OIL	1	1					R	1
		(A=E21999) (B=E31647)									
2	2	104271-49060	JOINT, PIPE	2	2						
4	2	129673-33020	COVER, COOLER	1	1						
5	2	129673-33030	COVER, COOLER	1	1						
6	2	129673-33040	CORE, COOLER	1	1						
6-1	2	129673-33041	CORE, LUB OIL COOLER	1	1					F	3
		(A=E21999) (B=E31647)									
7	3	129270-44490	SEAL	1	1						W
		(A=FROM 1ST) (B=FROM 1ST)									
7-1	3	129270-44490	SEAL	1	1						Z
		(A=E21999) (B=E31647)									
8	2	129673-33050	GASKET, COOLER	1	1						W 3
		(A=E21999) (B=E31647)									
9	2	24321-000800	O-RING, 1AG80.0	2	2						
10	2	26106-080252	BOLT, M8X 25 PLATED	3	3						
11	2	26106-080302	BOLT, M8X 30 PLATED	1	1						
12	1	129474-33500	RETAINER	1	1						
12-1	1	129474-33501	BRACKET, LO COOLER	1	1						N
		(A=*2014.01) (B=*2014.01)									
13	1	26106-080142	BOLT, M8X 14 PLATED	1	1						
14	1	26106-080162	BOLT, M8X 16 PLATED	1	1						
15	1	26106-080252	BOLT, M8X 25 PLATED	2	2						
16	1	129673-33100	COOLER ASSY, OIL	1	1						2
16-1	1	129673-33101	COOLER ASSY, OIL	1	1						R 2
		(A=E21999) (B=E31647)									
16-2	1	129673-33110	COOLER ASSY, LO 02	1	1						W 2
		(A=*2013.05) (B=*2013.05)									
17	2	129673-33101	COOLER ASSY, OIL	1	1						
19	3	129673-33020	COVER, COOLER	1	1						
20	3	129673-33040	CORE, COOLER	1	1						
20-1	3	129673-33041	CORE, LUB OIL COOLER	1	1						F 3
		(A=E21999) (B=E31647)									
21	4	129270-44490	SEAL	1	1						W
		(A=FROM 1ST) (B=FROM 1ST)									
21-1	4	129270-44490	SEAL	1	1						Z
		(A=E21999) (B=E31647)									
22	3	24321-000800	O-RING, 1AG80.0	2	2						
23	3	26106-080252	BOLT, M8X 25 PLATED	3	3						
24	3	26106-080302	BOLT, M8X 30 PLATED	1	1						
25	3	129673-33130	COVER, COOLER	1	1						4
26	3	123325-49421	JOINT, PIPE	2	2						4
27	3	129673-33050	GASKET, COOLER	1	1						W 3
		(A=E21999) (B=E31647)									
28	2	129693-39251	PIPE ASSY, COOLER	1	1						W
		(A=*2013.05) (B=*2013.05)									
31	2	23414-200000	GASKET, 20X1.0	2	2						W
		(A=*2013.05) (B=*2013.05)									
32	2	23857-150000	BOLT, JOINT 15	1	1						W
		(A=*2013.05) (B=*2013.05)									

Remarks

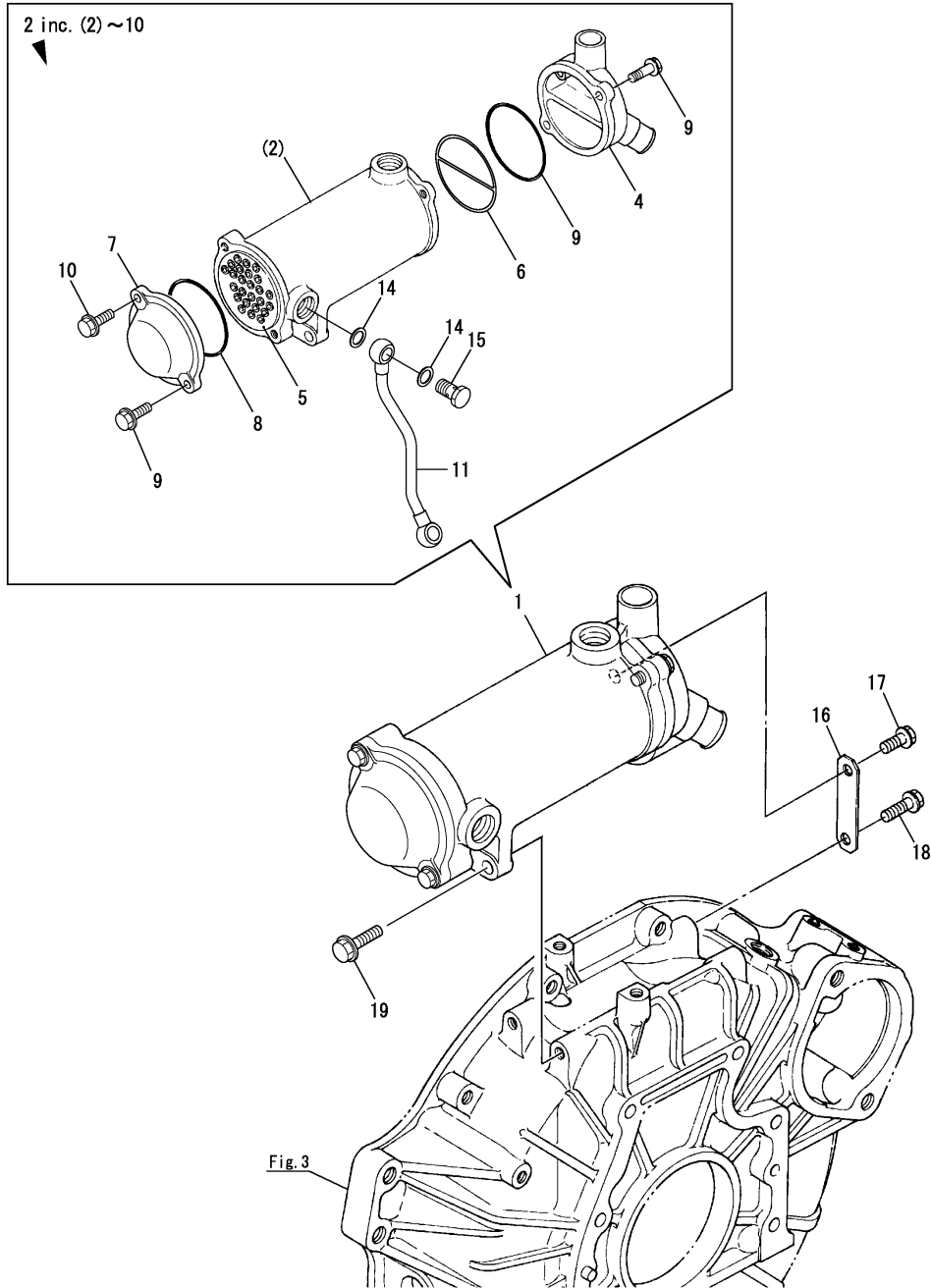
- (1)From made of VALEO made of MOTA.
- (2)From made of VALEO made of MOTA. : Optional parts.
- (3)GASKET addition arrangements main poinf when CORE ASSY is exchanged cooler by manufacturer change.
- (4)Optional parts.

N:Old \xrightarrow{Yes} New, Q:Old \xrightarrow{No} New, R:Old \xrightarrow{Yes} New, S:Old \xrightarrow{No} New, W:Add, Z:Discontinued, F:Interchangeable by set, K:Q'ty Change

Fig.56. (17A)LUB. OIL COOLER(ZF25A/ZF30M)

(A)=4JH3-HTE
(B)=4JH3-DTE
(C)=

(D)=
(E)=
(F)=

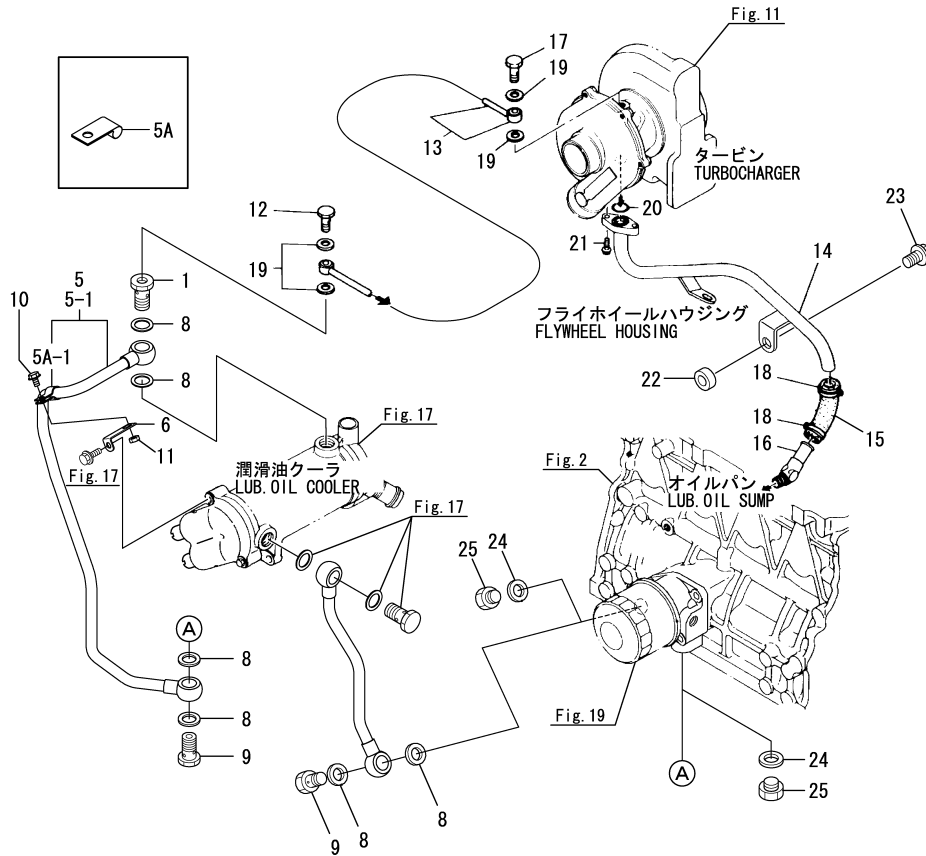


No.	Lev.	Parts No.	Description	Q'ty						I	R
				(A)	(B)	(C)	(D)	(E)	(F)		
1	1	129671-33010 (A=*2003.03) (B=*2003.03)	COOLER ASSY, LO 03	1	1						W
2	2	129671-33001	COOLER ASSY, OIL	1	1						
4	3	129673-33020	COVER, COOLER	1	1						
5	3	129673-33041	CORE, LUB OIL COOLER	1	1						
6	3	129673-33050	GASKET, COOLER	1	1						
7	3	129670-44420	COVER, COOLER	1	1						
8	3	24321-000800	O-RING, 1AG80.0	2	2						
9	3	26106-080252	BOLT, M8X 25 PLATED	3	3						
10	3	26106-080302	BOLT, M8X 30 PLATED	1	1						
11	2	129693-39251	PIPE ASSY, COOLER	1	1						
14	2	23414-200000	GASKET, 20X1.0	2	2						
15	2	23857-150000	BOLT, JOINT 15	1	1						
16	1	129474-33501	BRACKET, LO COOLER	1	1						
17	1	26106-080142	BOLT, M8X 14 PLATED	1	1						
18	1	26106-080162	BOLT, M8X 16 PLATED	1	1						
19	1	26106-080252	BOLT, M8X 25 PLATED	2	2						

Fig.18. LUB. OIL PIPE

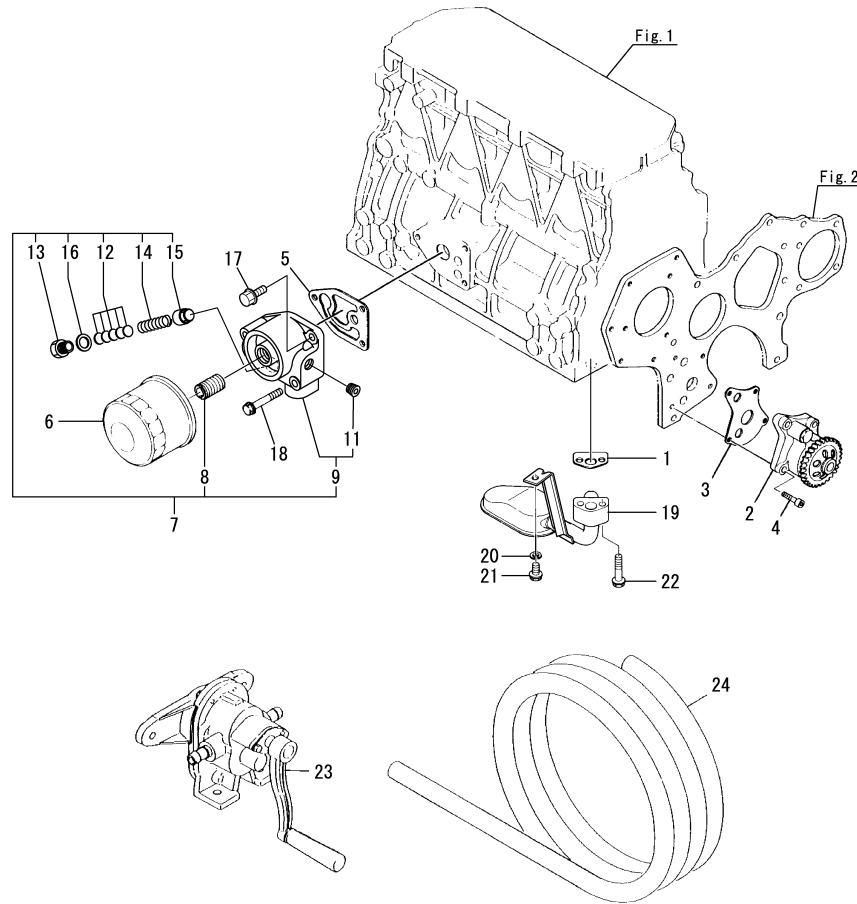
(A)=4JH3-HTE
(B)=4JH3-DTE
(C)=

(D)=
(E)=
(F)=



No.	Lev.	Parts No.	Description	Qty						I	R
				(A)	(B)	(C)	(D)	(E)	(F)		
1	1	129472-39020	BOLT, M20XM10	1	1						
5	1	129673-39300	PIPE ASSY, OIL	1	1						
5-1	1	129673-39301	PIPE ASSY, LO COOLER	1	1						R
5A	2	129495-39360	RETAINER	1	1						
5A-1	2	129495-39361	CLAMP	1	1						N
6	1	129495-39350	STAY	1	1						
8	1	23414-200000	GASKET, 20X1.0	8	8						
9	1	23857-150000	BOLT, JOINT 15	3	3						
10	1	26106-060162	BOLT, M6X 16 PLATED	1	1						
11	1	26756-060002	NUT, LOCK M6	1	1						
12	1	121252-39150	BOLT, JOINT M10X1.5	1	1						
13	1	129474-39450	PIPE ASSY, OIL	1	1						
14	1	129693-39600	PIPE, OIL	1	1						
14-1	1	129693-39601	PIPE, OIL	1	1						N
15	1	129792-39610	JOINT, RUBBER	1	1						
15-1	1	123901-39820	HOSE	1	1						R
16	1	129472-39620	ELBOW, PT3/8	1	1						
17	1	124413-39710	BOLT, PIPE JOINT M10	1	1						
18	1	23000-025000	CLAMP, 25	2	2						
19	1	23414-100000	GASKET, 10X1.0	4	4						
20	1	24314-000180	O-RING, 4CP18.0	1	1						
21	1	26106-060162	BOLT, M6X 16 PLATED	2	2						
22	1	129301-34830	SPACER	1	1						
23	1	26106-100252	BOLT, M10X 25 PLATED	1	1						
24	1	23414-200000	GASKET, 20X1.0	2	2						W
25	1	23887-200002	PLUG, 20	2	2						W

Fig.19. LUB. OIL SYSTEM



(A)=4JH3-HTE
(B)=4JH3-DTE
(C)=

(D)=
(E)=
(F)=

No.	Lev.	Parts No.	Description	Q'ty						I	R
				(A)	(B)	(C)	(D)	(E)	(F)		
1	1	129470-35040	GASKET	1	1						
1-1	1	129150-35041	GASKET	1	1						R
		(A=*2003.07) (B=*2003.07)									
1-2	1	129150-35042	GASKET	1	1						N
		(A=*2004.04) (B=*2004.04)									
2	1	129470-32000	PUMP ASSY, OIL	1	1						
2-1	1	129470-32001	PUMP ASSY, OIL	1	1						N
		(A=*2004.06) (B=*2004.06)									
2-2	1	129470-32002	PUMP ASSY, LO	1	1						R
		(A=*2013.09) (B=*2013.09)									
3	1	129150-32020	GASKET, PUMP	1	1						
4	1	26450-060252	BOLT, M6X 25	4	4						
5	1	129693-35130	GASKET	1	1						
6	1	129150-35170	FILTER, LO	1	1						1
7	1	129693-35150	BRACKET ASSY, FILTER	1	1						
8	2	129100-35140	STUD	1	1						
9	2	129693-35170	BRACKET ASSY	1	1						
11	3	23876-020000	PLUG, R02	1	1						
12	2	121850-35200	SHIM SET	1	1						
13	2	124223-35510	RETAINER, SPRING	1	1						
14	2	121850-35520	SPRING	1	1						
15	2	121850-35531	VALVE, CONTROL	1	1						
16	2	23414-180000	GASKET, 18X1.0	1	1						
17	1	26106-080202	BOLT, M8X 20 PLATED	1	1						
18	1	26106-080502	BOLT, M8X 50 PLATED	2	2						
19	1	129473-35091	PIPE ASSY, OIL INLET	1	1						
20	1	22217-080000	WASHER, SPRING 8	1	1						Z
		(A=*2013.06) (B=*2013.06)									
21	1	26106-080142	BOLT, M8X 14 PLATED	1	1						
21-1	1	26106-080122	BOLT, M8X 12 PLATED	1	1						N
		(A=*2013.06) (B=*2013.06)									
22	1	26106-080352	BOLT, M8X 35 PLATED	2	2						
23	1	124413-39100	PUMP ASSY, WASTE	1	1						
23-1	1	124413-39100	PUMP ASSY, WASTE		1						Z
		(B=*2010.09)									
24	1	43720-001220	PIPE	1	1						
24-1	1	129670-39990	HOSE, OIL DRAIN 3M	1	1						R
		(A=*2007.12) (B=*2007.12)									
24-2	1	129670-39990	HOSE, OIL DRAIN 3M		1						Z
		(B=*2010.09)									

Remarks

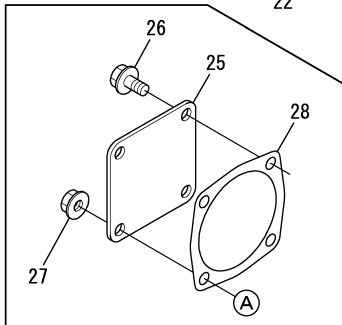
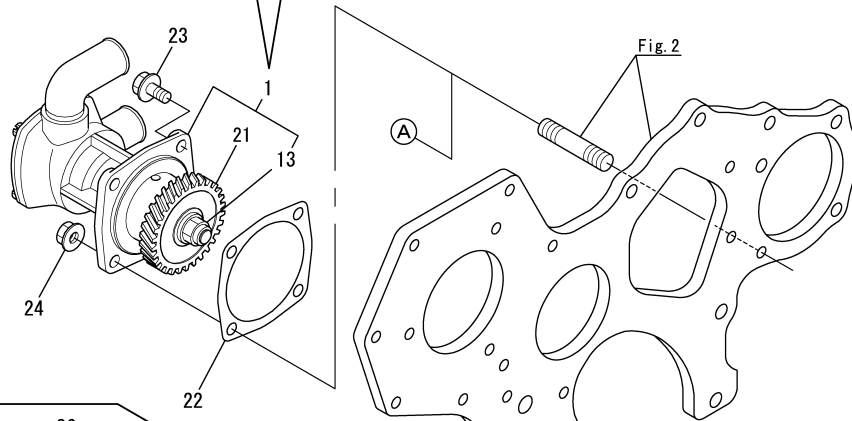
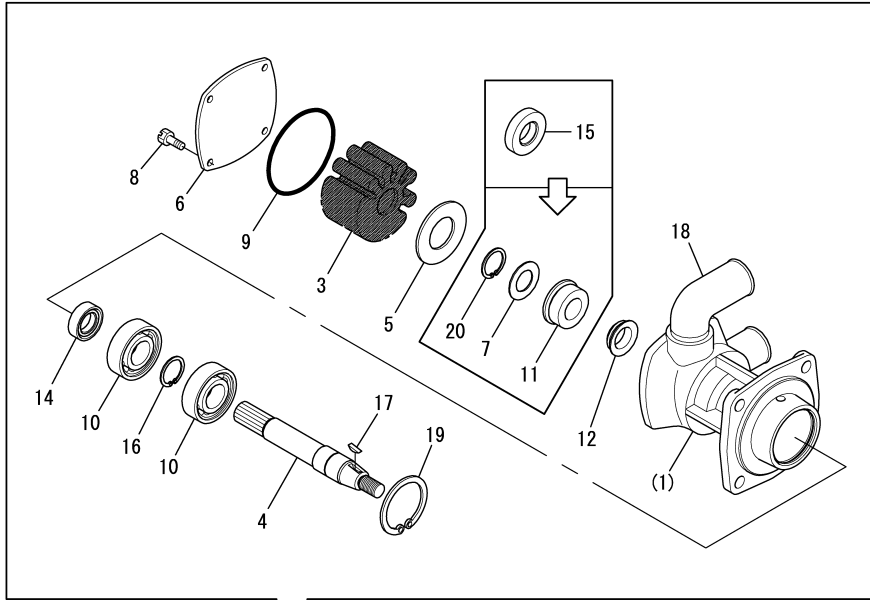
(1) Spare parts.

N:Old $\begin{matrix} \leftarrow \text{Yes} \\ \text{No} \end{matrix}$ New, Q:Old $\begin{matrix} \leftarrow \text{No} \\ \text{Yes} \end{matrix}$ New, R:Old $\begin{matrix} \leftarrow \text{Yes} \\ \text{Yes} \end{matrix}$ New, S:Old $\begin{matrix} \leftarrow \text{No} \\ \text{No} \end{matrix}$ New, W:Add, Z:Discontinued, F:Interchangeable by set, K:Q'ty Change

Fig.20. COOLING SEA WATER PUMP

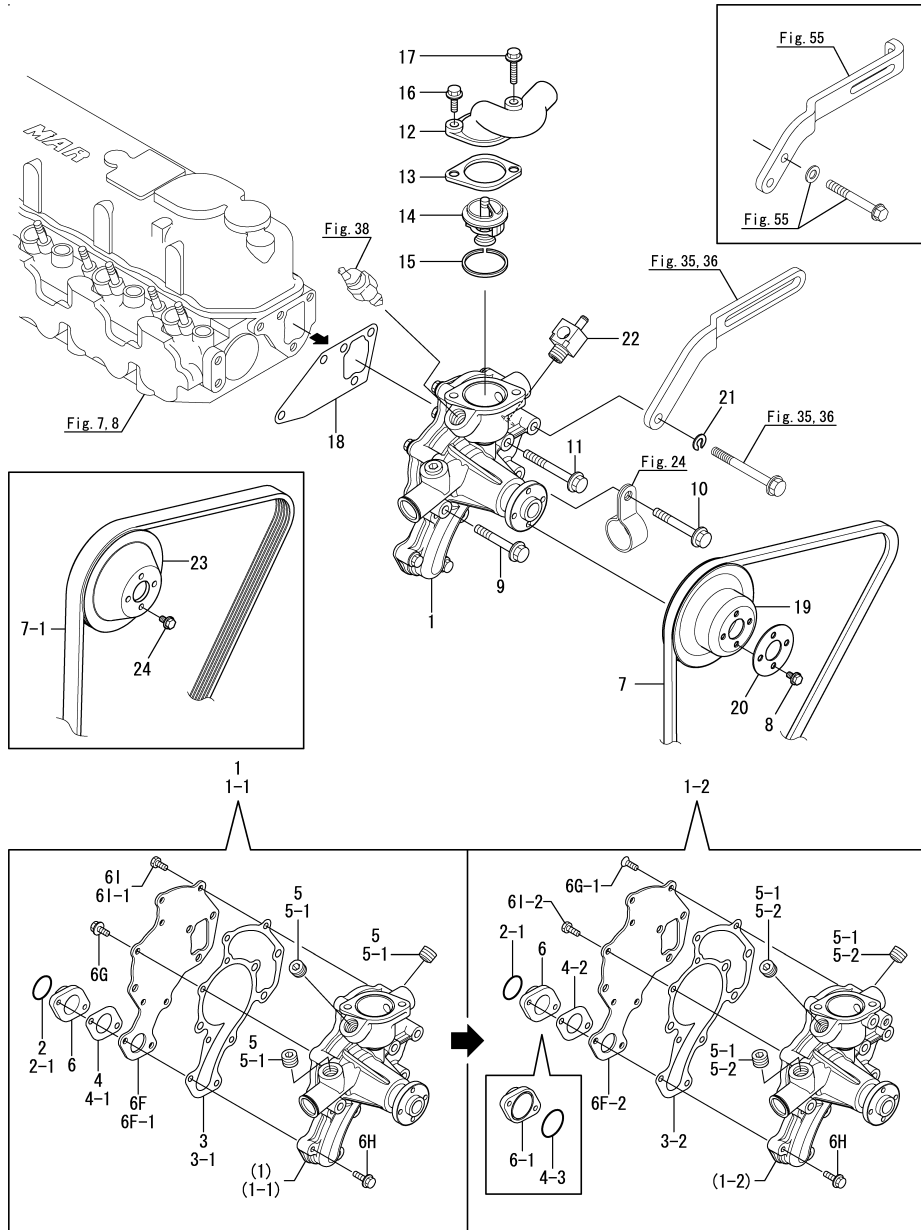
(A)=4JH3-HTE
(B)=4JH3-DTE
(C)=

(D)=
(E)=
(F)=



No.	Lev.	Parts No.	Description	Q'ty						I	R
				(A)	(B)	(C)	(D)	(E)	(F)		
1	1	129670-42500	PUMP ASSY, WATER	1	1						
1-1	1	129670-42501	PUMP ASSY, WATER	1	1						R
		(A=E20449) (B=E30455)									
1-2	1	129670-42510	PUMP ASSY, WATER	1	1						N
		(A=E20607) (B=E30529)									
1-3	1	129670-42511	PUMP ASSY, WATER	1	1						R
		(A=*2003.06) (B=*2003.06)									
1-4	1	129670-42512	PUMP ASSY, WATER	1	1						R
		(A=*2005.06) (B=*2005.06)									
3	2	129670-42530	IMPELLER	1	1						
3-1	2	129670-42531	IMPELLER	1	1						N
		(A=*2005.06) (B=*2005.06)									
4	2	X0146531	SHAFT	1	1						
5	2	129670-42540	PLATE	1	1						
6	2	129670-42520	COVER	1	1						
7	2	129670-42550	WASHER	1	1						W
		(A=E20607) (B=E30529)									
8	2	119175-42620	SCREW	4	4						
9	2	X0506590	O-RING	1	1						
10	2	X0508129	BEARING	2	2						
11	2	129670-42560	SEAL, MECHANICAL	1	1						W
		(A=E20607) (B=E30529)									
12	2	X0519503	RING	1	1						
13	2	X0505526	NUT, LOCK	1	1						
14	2	X0529105	SEAL	1	1						
15	2	X0529530	SEAL, LIP	1	1						Z
		(A=E20607) (B=E30529)									
16	2	X053421	CIRCLIP	1	1						
17	2	129670-42580	KEY	1	1						
18	2	X01357681	CONNECTOR	1	1						
19	2	X0534130	CIRCLIP	1	1						
20	2	129670-42570	CIRCLIP	1	1						W
		(A=E20607) (B=E30529)									
21	1	129670-42700	GEAR, PUMP	1	1						
22	1	129150-01881	GASKET	1	1						
23	1	26106-080162	BOLT, M8X 16 PLATED	3	3						
23-1	1	26106-080252	BOLT, M8X 25 PLATED	3	3						N
		(A=*2013.06) (B=*2013.06)									
24	1	26306-080002	NUT, M8	1	1						
24-1	1	26366-080002	NUT, M8	1	1						N
		(A=*2013.06) (B=*2013.06)									
25	1	124240-01871	COVER	1	1						
26	1	26106-080162	BOLT, M8X 16 PLATED	3	3						
26-1	1	26106-080252	BOLT, M8X 25 PLATED	3	3						N
		(A=*2013.06) (B=*2013.06)									
27	1	26306-080002	NUT, M8	1	1						
28	1	129150-01881	GASKET	1	1						
28-1	1	129C26-01890	GASKET, HO-P	1	1						R
		(A=*2012.03) (B=*2012.03)									

Fig.21. COOLING FRESH WATER PUMP



(A)=4JH3-HTE
(B)=4JH3-DTE
(C)=

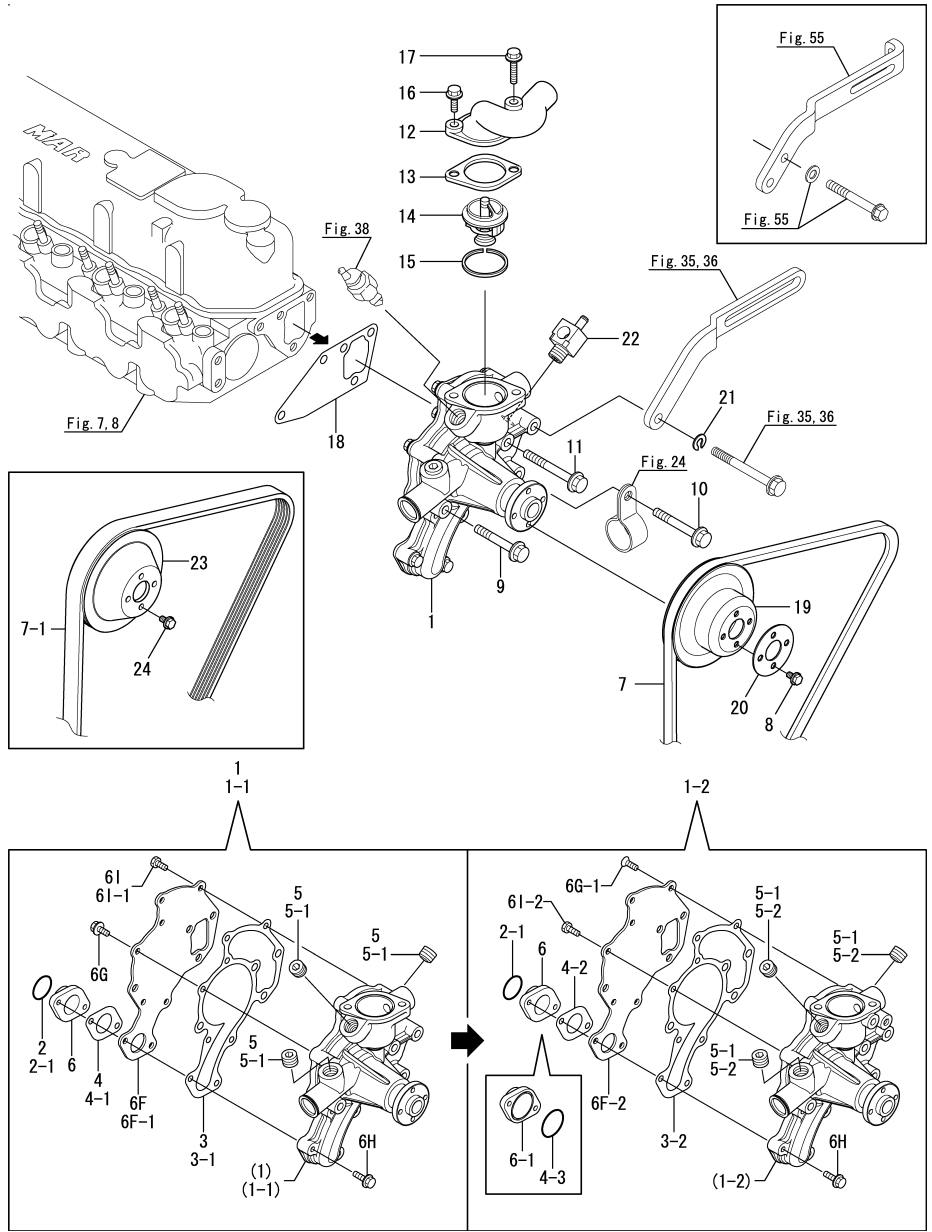
(D)=
(E)=
(F)=

No.	Lev.	Parts No.	Description	Q'ty						I	R
				(A)	(B)	(C)	(D)	(E)	(F)		
1	1	129470-42001	PUMP ASSY, WATER	1	1						
1-1	1	129470-42002	PUMP ASSY, WATER	1	1						R
		(A=E21623) (B=E31409)									
1-2	1	129470-42003	PUMP ASSY, WATER	1	1						N
		(A=*2005.02) (B=*2005.02)									
2	2	129150-42320	O-RING	1	1						
2-1	2	129054-42320	O-RING	1	1						N
		(A=E21623) (B=E31409)									
3	2	129470-42050	GASKET	1	1						
3-1	2	129052-42050	GASKET	1	1						R
		(A=E21623) (B=E31409)									
3-2	2	129150-42059	GASKET	1	1						R
		(A=*2005.02) (B=*2005.02)									
4	2	129470-42310	GASKET	1	1						
4-1	2	129052-42310	GASKET	1	1						R
		(A=E21623) (B=E31409)									
4-2	2	129150-42319	GASKET	1	1						R
		(A=*2005.02) (B=*2005.02)									
4-3	2	24358-240310	O-RING, 524031	1	1						S 3
		(A=*2006.03) (B=*2006.03)									
5	2	124085-11690	PLUG, 3/8	3	3						S
5-1	2	23875-030000	PLUG, R03	3	3						S
		(A=E21623) (B=E31409)									
5-2	2	129916-49740	PLUG, R03	3	3						N
		(A=*2005.02) (B=*2005.02)									
5-3	2	129916-49740	PLUG, R03	2	2						K
		(A=*2010.12) (B=*2010.12)									
6	2	129150-42300	FLANGE	1	1						
6-1	2	129150-42301	FLANGE	1	1						S 3
		(A=*2006.03) (B=*2006.03)									
6F	2	129150-42120	PLATE	1	1						
6F-1	2	129150-42129	PLATE	1	1						R
		(A=E21623) (B=E31409)									
6F-2	2	129263-42120	PLATE	1	1						S
		(A=*2005.02) (B=*2005.02)									
6G	2	26106-060142	BOLT, M6X 14 PLATED	5	5						
6G-1	2	26577-060142	SCREW M 6X 14	3	3						S
		(A=*2005.02) (B=*2005.02)									
6H	2	26106-060202	BOLT, M6X 20 PLATED	2	2						
6I	2	26116-060142	BOLT, M6X 14 PLATED	1	1						
6I-1	2	26116-060162	BOLT, M6X 16 PLATED	1	1						R
		(A=E21623) (B=E31409)									
6I-2	2	26116-060162	BOLT, M6X 16 PLATED	3	3						K
		(A=*2005.02) (B=*2005.02)									
7	1	25132-004600	V-BELT, A46	1	1						1
7-1	1	129673-77680	BELT,ALTERNATOR 6PK	1	1						S 2
		(B=E35417)									
8	1	26106-060102	BOLT, M6X 10 PLATED	4	4						1
8-1	1	26106-060102	BOLT, M6X 10 PLATED	4	4						Z 1
		(B=E35417)									
9	1	26106-080552	BOLT, M8X 55 PLATED	2	2						

Remarks

- (1)HITACHI generator spec.
- (2)Valeo generator spec.
- (3)Interchangeable by simultaneous replacement with No.4-3, 6-1.

Fig.21. COOLING FRESH WATER PUMP



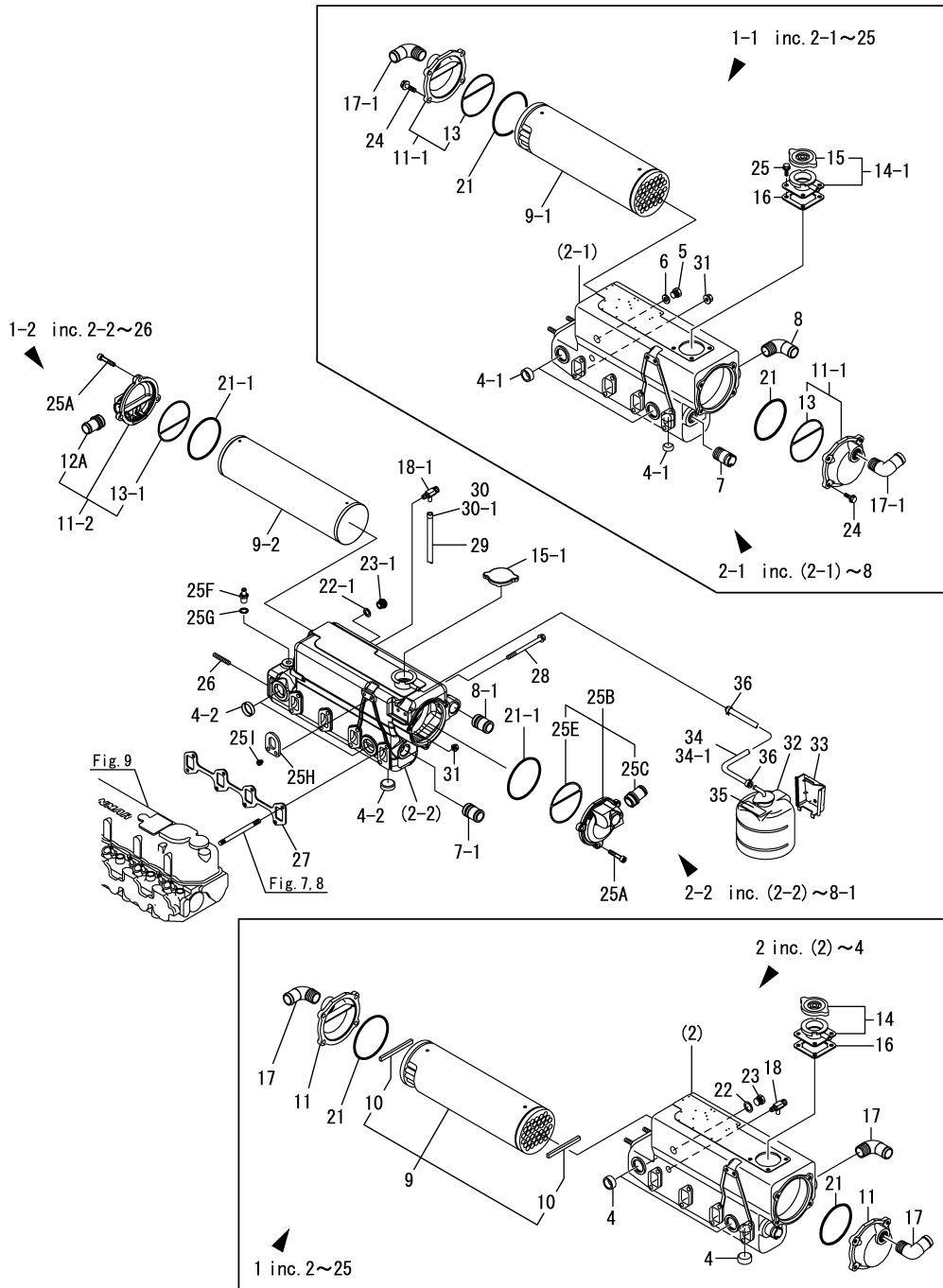
(A)=4JH3-HTE
(B)=4JH3-DTE
(C)=

(D)=
(E)=
(F)=

No.	Lev.	Parts No.	Description	Q'ty						I	R
				(A)	(B)	(C)	(D)	(E)	(F)		
10	1	26106-080602	BOLT, M8X 60 PLATED	1	1						
11	1	26106-080652	BOLT, M8X 65 PLATED	1	1						
12	1	129573-49540	COVER, THERMOSTAT	1	1						
13	1	129795-49551	GASKET	1	1						
14	1	129470-49801	THERMOSTAT, 76.5	1	1						
15	1	129470-49810	GASKET, THERMOSTAT	1	1						
15-1	1	129150-49811	GASKET, THERMOSTAT	1	1						R
		(A=*2009.12) (B=*2009.12)									
16	1	26106-080252	BOLT, M8X 25 PLATED	1	1						
17	1	26106-080502	BOLT, M8X 50 PLATED	1	1						
18	1	129150-42020	GASKET, WATER PUMP	1	1						
18-1	1	129486-42050	GASKET, WATER PUMP	1	1						R
		(A=*2002.10) (B=*2002.10)									
19	1	129550-42350	V-PULLEY, D=120	1	1						1
19-1	1	129550-42350	V-PULLEY, D=120		1						Z 1
		(B=E35417)									
20	1	129156-44760	WASHER	1	1						1
20-1	1	129156-44760	WASHER		1						Z 1
		(B=E35417)									
21	1	22217-080000	WASHER, SPRING 8	1	1						
22	1	129473-49310	JOINT, PT3/8-8	1	1						
22-1	1	129673-49310	JOINT, PT3/8-8		1						R
		(A=*2007.01)									
23	1	129271-42350	PULLEY,CW PUMP 6PK		1						W 2
		(B=E35417)									
24	1	26106-060122	BOLT, M6X 12 PLATED		4						W 2
		(B=E35417)									

Remarks
 (1)HITACHI generator spec.
 (2)Valeo generator spec.
 (3)Interchangeable by simultaneous replacement with No.4-3, 6-1.

Fig.22. COOLING FRESH WATER COOLER



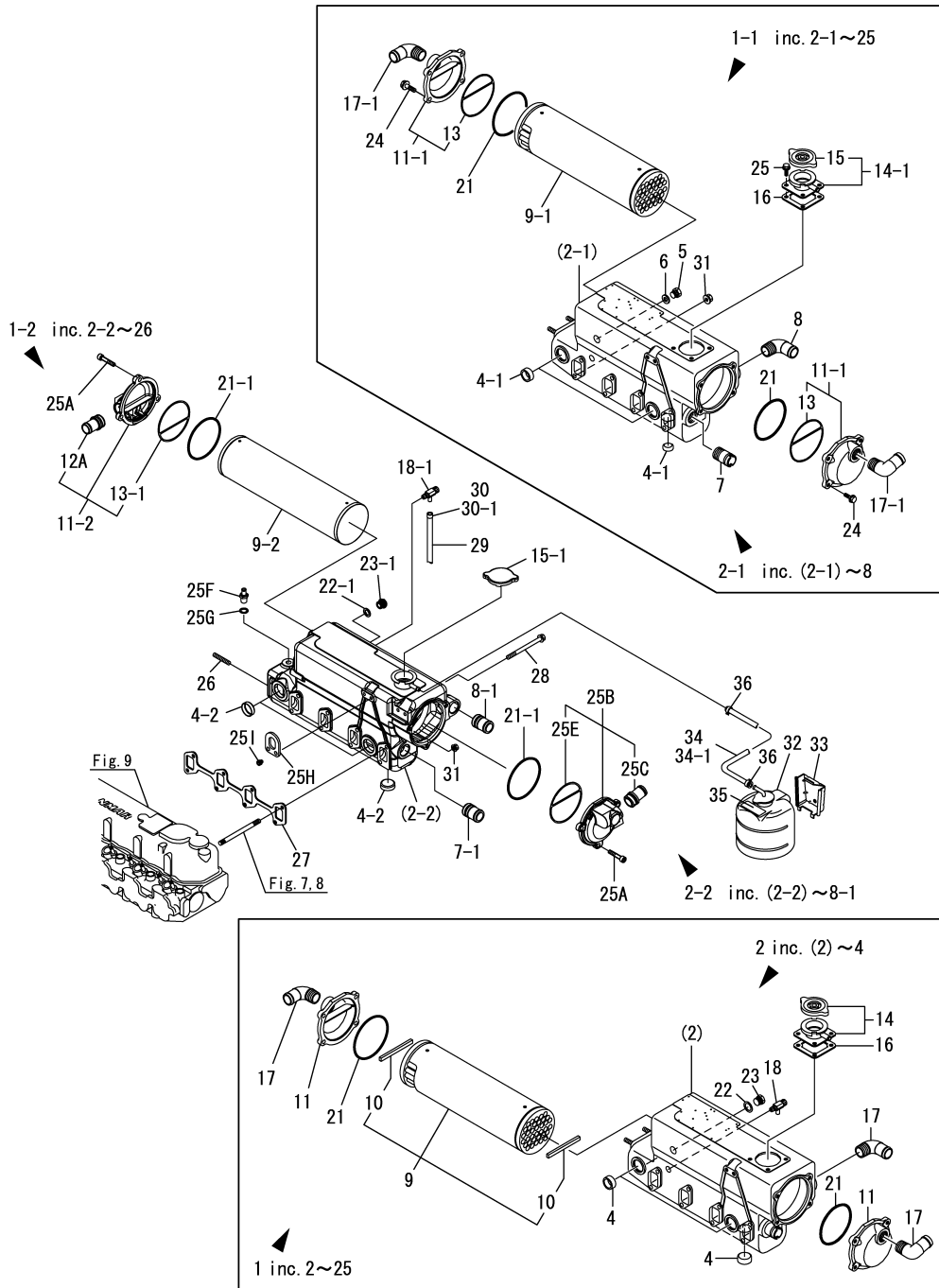
(A)=4JH3-HTE
(B)=4JH3-DTE
(C)=

(D)=
(E)=
(F)=

No.	Lev.	Parts No.	Description	Q'ty						I	R
				(A)	(B)	(C)	(D)	(E)	(F)		
1	1	129673-44900	COOLER ASSY, WATER	1	1						
1-1	1	129693-44900	COOLER ASSY, WATER	1	1						N
		(A=E21397) (B=E31309)									
1-2	1	129672-44900	HEAT EXCHANGER ASSY	1	1						S
		(A=*2005.08) (B=*2005.08)									
2	2	129673-44000	COOLER ASSY, WATER	1	1						
2-1	2	129693-44000	BODY ASSY,CFW COOLER	1	1						S
		(A=E21397) (B=E31309)									
2-2	2	129672-44020	BODY,COOLER CMP	1	1						S
		(A=*2005.08) (B=*2005.08)									
4	3	27241-280000	PLUG, 28	8	8						
4-1	3	27241-280000	PLUG, 28	4	4						K
		(A=E21397) (B=E31309)									
4-2	3	129670-44200	PLUG, 32	4	4						S
		(A=*2005.08) (B=*2005.08)									
5	3	23894-030002	PLUG, G3/8	1	1						W
		(A=E21397) (B=E31309)									
5-1	3	23894-030002	PLUG, G3/8	1	1						Z
		(A=*2005.08) (B=*2005.08)									
6	3	23414-170000	GASKET, 17X1.0	1	1						W
		(A=E21397) (B=E31309)									
6-1	3	23414-170000	GASKET, 17X1.0	1	1						Z
		(A=*2005.08) (B=*2005.08)									
7	3	124160-49480	JOINT, PIPE	1	1						W
		(A=E21397) (B=E31309)									
7-1	3	129673-44120	CONNECTING PIPE D28	1	1						S
		(A=*2005.08) (B=*2005.08)									
8	3	123325-49490	ELBOW	1	1						W
		(A=E21397) (B=E31309)									
8-1	3	129673-44120	CONNECTING PIPE D28	1	1						S
		(A=*2005.08) (B=*2005.08)									
9	2	129673-44400	CORE ASSY, COOLER	1	1						
9-1	2	129693-44110	CORE ASSY, COOLER	1	1						S
		(A=E21397) (B=E31309)									
9-2	2	129672-44400	CORE ASSY, COOLER	1	1						S
		(A=*2005.08) (B=*2005.08)									
10	3	129673-44490	GASKET	2	2						W
		(A=FROM 1ST) (B=FROM 1ST)									
10-1	3	129673-44490	GASKET	2	2						Z
		(A=E21397) (B=E31309)									
11	2	129673-44410	COVER, COOLER	2	2						
11-1	2	129693-44400	COVER	2	2						S
		(A=E21397) (B=E31309)									
11-2	2	129672-44070	COVER ASSY	1	1						S
		(A=*2005.08) (B=*2005.08)									
12A	3	129672-44090	CONNECTING PIPE D25	1	1						W
		(A=*2005.08) (B=*2005.08)									
13	3	129693-44420	GASKET	2	2						W
		(A=E21397) (B=E31309)									
13-1	3	129693-44420	GASKET	1	1						K
		(A=*2005.08) (B=*2005.08)									

N:Old $\xrightarrow{\text{Yes}}$ New, Q:Old $\xrightarrow{\text{No}}$ New, R:Old $\xrightarrow{\text{Yes}}$ New, S:Old $\xrightarrow{\text{No}}$ New, W:Add, Z:Discontinued, F:Interchangeable by set, K:Q'ty Change
 ++ CONTINUE ++
 Copyright (C) 2014 YANMAR CO., LTD. All Rights Reserved.

Fig.22. COOLING FRESH WATER COOLER



(A)=4JH3-HTE
(B)=4JH3-DTE
(C)=

(D)=
(E)=
(F)=

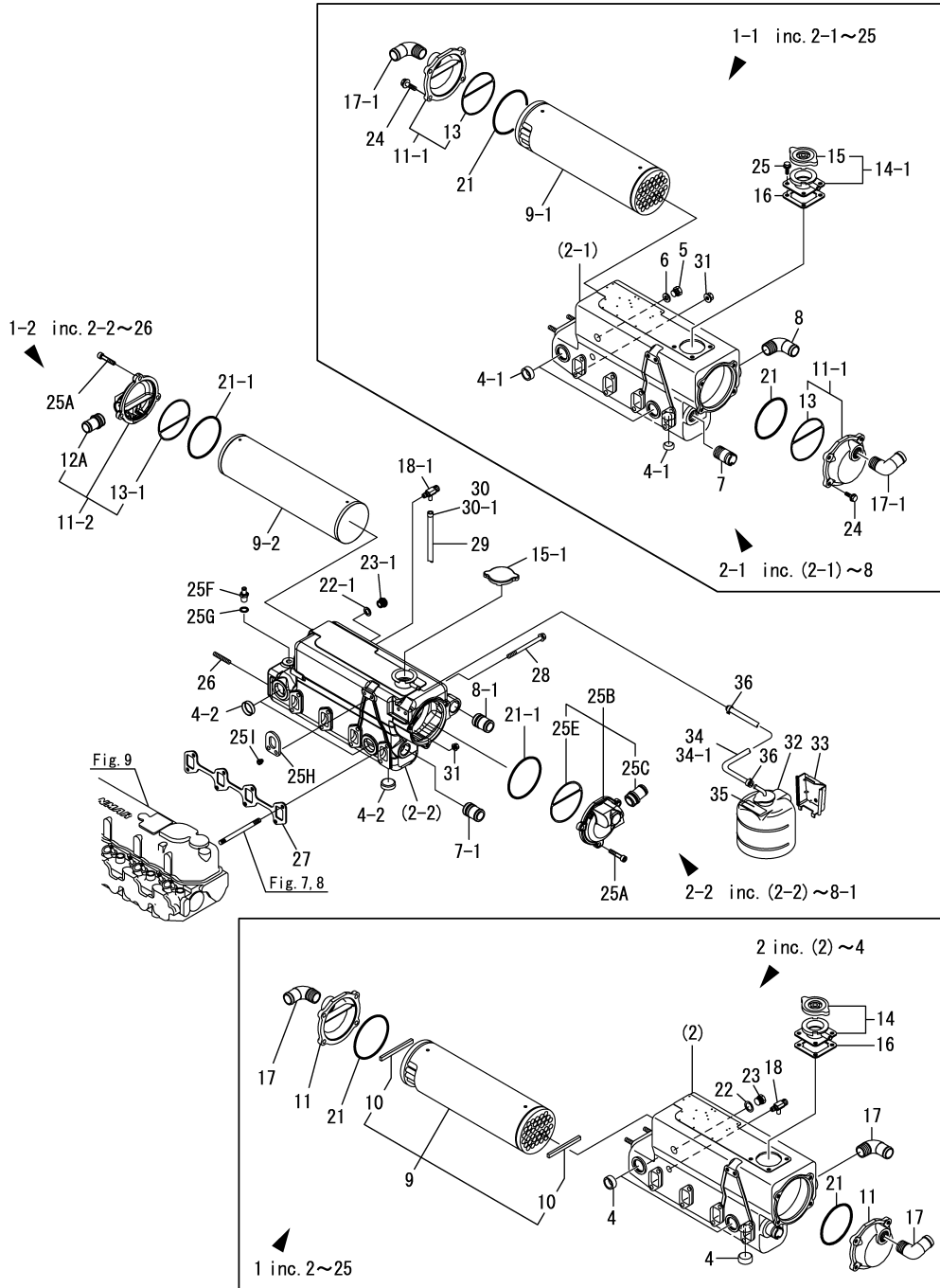
No.	Lev.	Parts No.	Description	(A)	(B)	Q'ty			I	R
						(C)	(D)	(E)	(F)	
14	2	129670-44600	FILLER ASSY	1	1					
14-1	2	129171-44600	FILLER ASSY	1	1					R
		(A=E21081) (B=E31003)								
14-2	2	129171-44600	FILLER ASSY	1	1					Z
		(A=*2005.08) (B=*2005.08)								
15	3	129107-44590	CAP, RADIATOR	1	1					W
		(A=E21081) (B=E31003)								
15-1	2	129673-44131	CAP	1	1					S
		(A=*2005.08) (B=*2005.08)								
16	2	120445-44640	GASKET	1	1					Z
		(A=*2005.08) (B=*2005.08)								
17	2	129673-44420	ELBOW, PT3/4	3	3					
17-1	2	123325-49490	ELBOW	2	2					R
		(A=E21397) (B=E31309)								
17-2	2	123325-49490	ELBOW	2	2					Z
		(A=*2005.08) (B=*2005.08)								
18	2	120130-49350	COCK, 1/4	1	1					
18-1	2	119620-49290	COCK ASSY, 1/4	1	1					N
		(A=E20287) (B=E30353)								
21	2	24321-001000	O-RING, 1AG100.0	2	2					
21-1	2	129672-44150	O-RING, 99.5X3	2	2					S
		(A=*2005.08) (B=*2005.08)								
22	2	23414-170000	GASKET, 17X1.0	1	1					Z
		(A=E21397) (B=E31309)								
22-1	2	23414-170000	GASKET, 17X1.0	1	1					W
		(A=*2005.08) (B=*2005.08)								
23	2	23894-030002	PLUG, G3/8	1	1					Z
		(A=E21397) (B=E31309)								
23-1	2	23893-030002	PLUG, G3/8	1	1					W
		(A=*2005.08) (B=*2005.08)								
24	2	26106-080252	BOLT, M8X 25 PLATED	8	8					Z
		(A=*2005.08) (B=*2005.08)								
25	2	26106-080162	BOLT, M8X 16 PLATED	4	4					Z
		(A=*2005.08) (B=*2005.08)								
25A	2	129673-44090	BOLT, M8X40	6	6					W
		(A=*2005.08) (B=*2005.08)								
25B	2	129672-44100	COVER ASSY	1	1					W
		(A=*2005.08) (B=*2005.08)								
25C	3	129672-44090	CONNECTING PIPE D25	1	1					W
		(A=*2005.08) (B=*2005.08)								
25E	3	129693-44420	GASKET	1	1					W
		(A=*2005.08) (B=*2005.08)								
25F	2	129672-44160	PLUG, G1/4	1	1					W
		(A=*2005.08) (B=*2005.08)								
25G	2	129672-44170	GASKET 13.5-19	1	1					W
		(A=*2005.08) (B=*2005.08)								
25H	2	129670-07230	LIFTER	1	1					W
		(A=*2007.12) (B=*2007.12)								
25I	2	26450-080162	BOLT, M8X 16	2	2					W
		(A=*2007.12) (B=*2007.12)								
26	2	128170-13600	STUD, M8X31	4	4					

N:Old $\xrightarrow{\text{Yes}}$ New, Q:Old $\xrightarrow{\text{No}}$ New, R:Old $\xrightarrow{\text{Yes}}$ New, S:Old $\xrightarrow{\text{No}}$ New, W:Add, Z:Discontinued, F:Interchangeable by set, K:Q'ty Change
 ++ CONTINUE ++
 Copyright (C) 2014 YANMAR CO., LTD. All Rights Reserved.

Fig.22. COOLING FRESH WATER COOLER

(A)=4JH3-HTE
(B)=4JH3-DTE
(C)=

(D)=
(E)=
(F)=

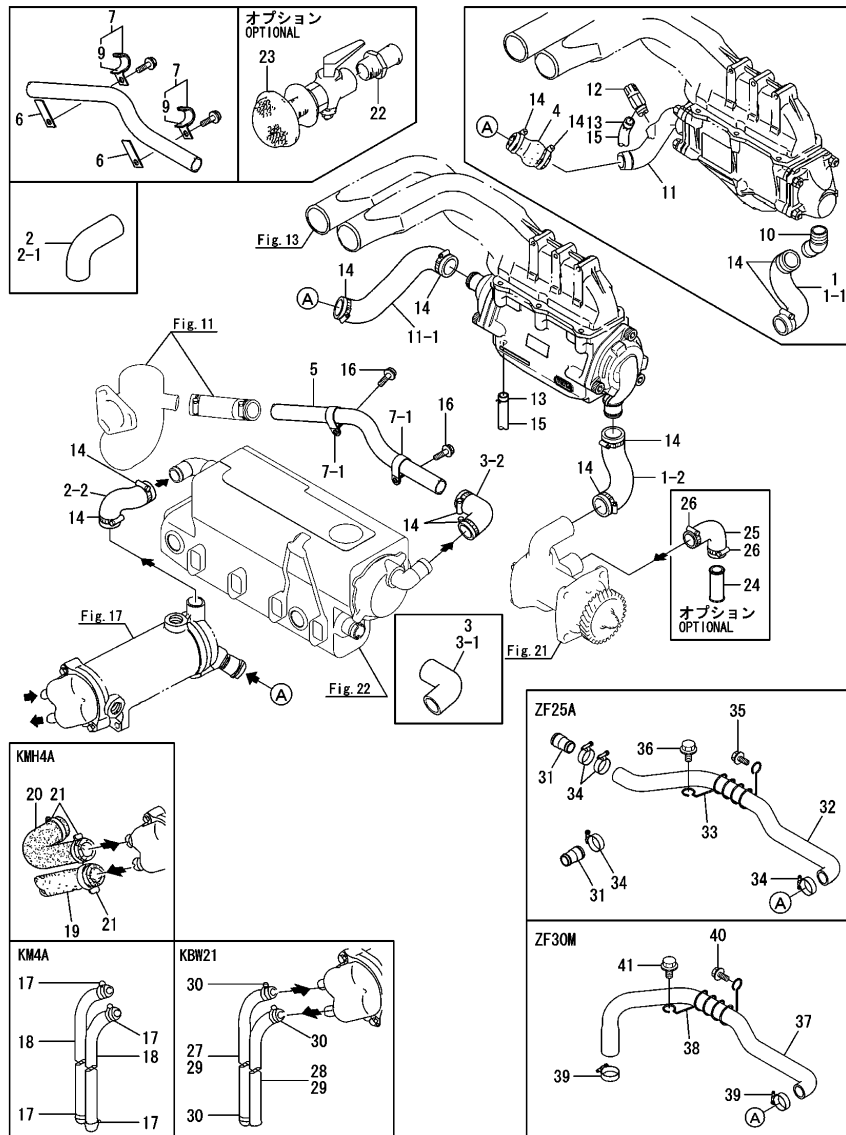


No.	Lev.	Parts No.	Description	Q'ty						I	R
				(A)	(B)	(C)	(D)	(E)	(F)		
26-1	2	129670-13600 (A=*2006.07) (B=*2006.07)	STUD	4	4						R
27	1	129550-13110	GASKET	1	1						
28	1	129693-44310	BOLT	6	6						
28-1	1	129671-44310 (A=*2013.06) (B=*2013.06)	BOLT(CFW COOLER)	6	6						N
29	1	23061-070300	PIPE, 7X 300	1	1						
30	1	23080-008000	CLAMP, 8	1	1						
30-1	1	124460-77680	RETAINER	1	1						S
		(A=*2005.08) (B=*2005.08)									
31	1	26306-080002	NUT, M8	2	2						
31-1	1	26366-080002	NUT, M8	2	2						N
		(A=*2013.06) (B=*2013.06)									
32	1	128397-44500	TANK ASSY, SUB	1	1						
33	1	128397-44510	BRACKET	1	1						
34	1	124790-44560	PIPE, WATER L=1000	1	1						
34-1	1	129270-44501	PIPE	1	1						S
		(A=*2005.08) (B=*2005.08)									
35	1	129670-44570	LABEL, SUB-TANK	1	1						
36	1	23010-013000	CLAMP 13	2	2						

Fig.23. COOLING SEA WATER PIPE

(A)=4JH3-HTE
(B)=4JH3-DTE
(C)=

(D)=
(E)=
(F)=



No.	Lev.	Parts No.	Description	Q'ty						I	R
				(A)	(B)	(C)	(D)	(E)	(F)		
1	1	129672-49010	PIPE, WATER	1	1						
1-1	1	129673-49010	PIPE, WATER	1	1						R
		(A=E20607) (B=E30529)									
1-2	1	129672-49060	PIPE, WATER	1	1						S 1
		(A=*2006.10) (B=*2006.10)									
2	1	129693-49010	PIPE, WATER	1	1						
2-1	1	129673-49040	PIPE, WATER	1	1						R
		(A=E20607) (B=E30529)									
2-2	1	129672-49030	PIPE, WATER	1	1						S
		(A=*2005.08) (B=*2005.08)									
3	1	129693-49010	PIPE, WATER	1	1						
3-1	1	129673-49040	PIPE, WATER	1	1						R
		(A=E20607) (B=E30529)									
3-2	1	129672-49070	PIPE, WATER	1	1						S
		(A=*2005.08) (B=*2005.08)									
4	1	129672-49020	JOINT, RUBBER	1	1						
4-1	1	129673-49020	PIPE, WATER	1	1						R
		(A=E20607) (B=E30529)									
4-2	1	129673-49020	PIPE, WATER	1	1						Z
		(A=*2006.10) (B=*2006.10)									
5	1	129698-49020	PIPE, WATER	1	1						
6	1	129693-49040	RETAINER, PIPE	2	2						Z
		(A=*2009.06) (B=*2009.06)									
7	1	129693-49050	RETAINER ASSY	2	2						Z
		(A=*2009.06) (B=*2009.06)									
7-1	1	129672-49050	RETAINER,CSW	2	2						W
		(A=*2009.06) (B=*2009.06)									
9	2	127675-82650	SEAT	2	2						Z
		(A=*2009.06) (B=*2009.06)									
10	1	129673-49060	ELBOW, 45	1	1						Z
		(A=*2006.10) (B=*2006.10)									
11	1	129474-49020	BEND	1	1						
11-1	1	129673-49240	PIPE, COOLING WATER	1	1						S 1
		(A=*2006.10) (B=*2006.10)									
12	1	120130-49350	COCK, 1/4	1	1						
12-1	1	119620-49290	COCK ASSY, 1/4	1	1						N
		(A=E20287) (B=E30353)									
12-2	1	119620-49290	COCK ASSY, 1/4	1	1						Z
		(A=*2006.10) (B=*2006.10)									
13	1	124460-77680	RETAINER	1	1						
14	1	23000-035000	CLAMP, 35	8	8						
14-1	1	129670-49500	CLIP, HOSE 38	8	8						R
		(A=E20955) (B=E30887)									
15	1	23061-070300	PIPE, 7X 300	1	1						
16	1	26106-080162	BOLT, M8X 16 PLATED	2	2						
17	1	23000-022000	CLAMP, 22	4	4						
18	1	23072-040300	HOSE, 4X 300	2	2						
18-1	1	129673-49030	PIPE, WATER	2	2						R
		(A=E20607) (B=E30529)									
19	1	129494-49050	PIPE, WATER	1	1						
19-1	1	129673-49070	PIPE, WATER	1	1						R

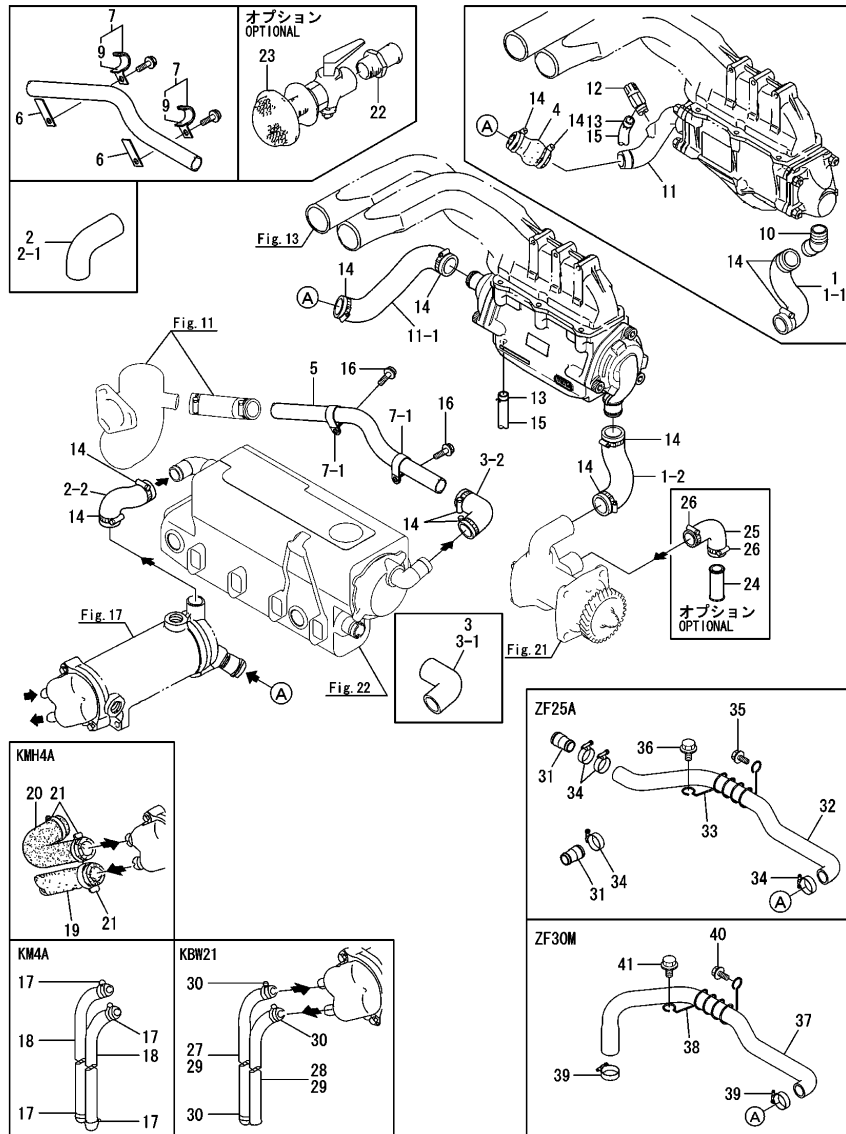
Remarks

(1)Interchangeable by simultaneous replacement with Fig.13 No.1-1.

Fig.23. COOLING SEA WATER PIPE

(A)=4JH3-HTE
(B)=4JH3-DTE
(C)=

(D)=
(E)=
(F)=



No.	Lev.	Parts No.	Description	Q'ty						I	R
				(A)	(B)	(C)	(D)	(E)	(F)		
		(A=E20929) (B=E30857)									
20	1	129494-49060	PIPE	1	1						
20-1	1	129673-49080	PIPE, WATER	1	1						R
		(A=E20929) (B=E30857)									
21	1	23000-035000	CLAMP, 35	4	4						
21-1	1	129670-49500	CLIP, HOSE 38	4	4						R
		(A=E20955) (B=E30887)									
22	1	43530-500570	JOINT, PIPE	1	1						
23	1	43662-025030	COCK ASSY, KINGSTON	1	1						
23-1	1	43662-025031	COCK, KINGSTON	1	1						N
		(A=*2006.12) (B=*2006.12)									
24	1	129490-49070	JOINT	1	1						
25	1	129171-49900	JOINT, RUBBER	1	1						
26	1	23000-035000	CLAMP, 35	2	2						
26-1	1	129670-49500	CLIP, HOSE 38	2	2						R
		(A=E20955) (B=E30887)									
27	1	129673-49030	PIPE, WATER	1							
28	1	129673-49100	PIPE, WATER	1							
29	1	23072-040300	HOSE, 4X 300		2						
30	1	23000-022000	CLAMP, 22	4	4						
31	1	129673-49410	JOINT	2	2						W
		(A=*2003.03) (B=*2003.03)									
32	1	129673-49420	PIPE, CSW ZF25A	1	1						W
		(A=*2003.03) (B=*2003.03)									
33	1	129673-49440	RETAINER, CSWT	1	1						W
		(A=*2003.03) (B=*2003.03)									
34	1	129670-49500	CLIP, HOSE 38	4	4						W
		(A=*2003.03) (B=*2003.03)									
35	1	26106-080182	BOLT, M8X 18 PLATED	1	1						W
		(A=*2003.03) (B=*2003.03)									
36	1	26106-100202	BOLT, M10X 20 PLATED	1	1						W
		(A=*2003.03) (B=*2003.03)									
37	1	129673-49430	PIPE, WATER	1							W
		(A=*2003.03)									
38	1	129673-49440	RETAINER, CSWT	1							W
		(A=*2003.03)									
39	1	129670-49500	CLIP, HOSE 38	2							W
		(A=*2003.03)									
40	1	26106-080182	BOLT, M8X 18 PLATED	1							W
		(A=*2003.03)									
41	1	26106-100202	BOLT, M10X 20 PLATED	1							W
		(A=*2003.03)									

Remarks

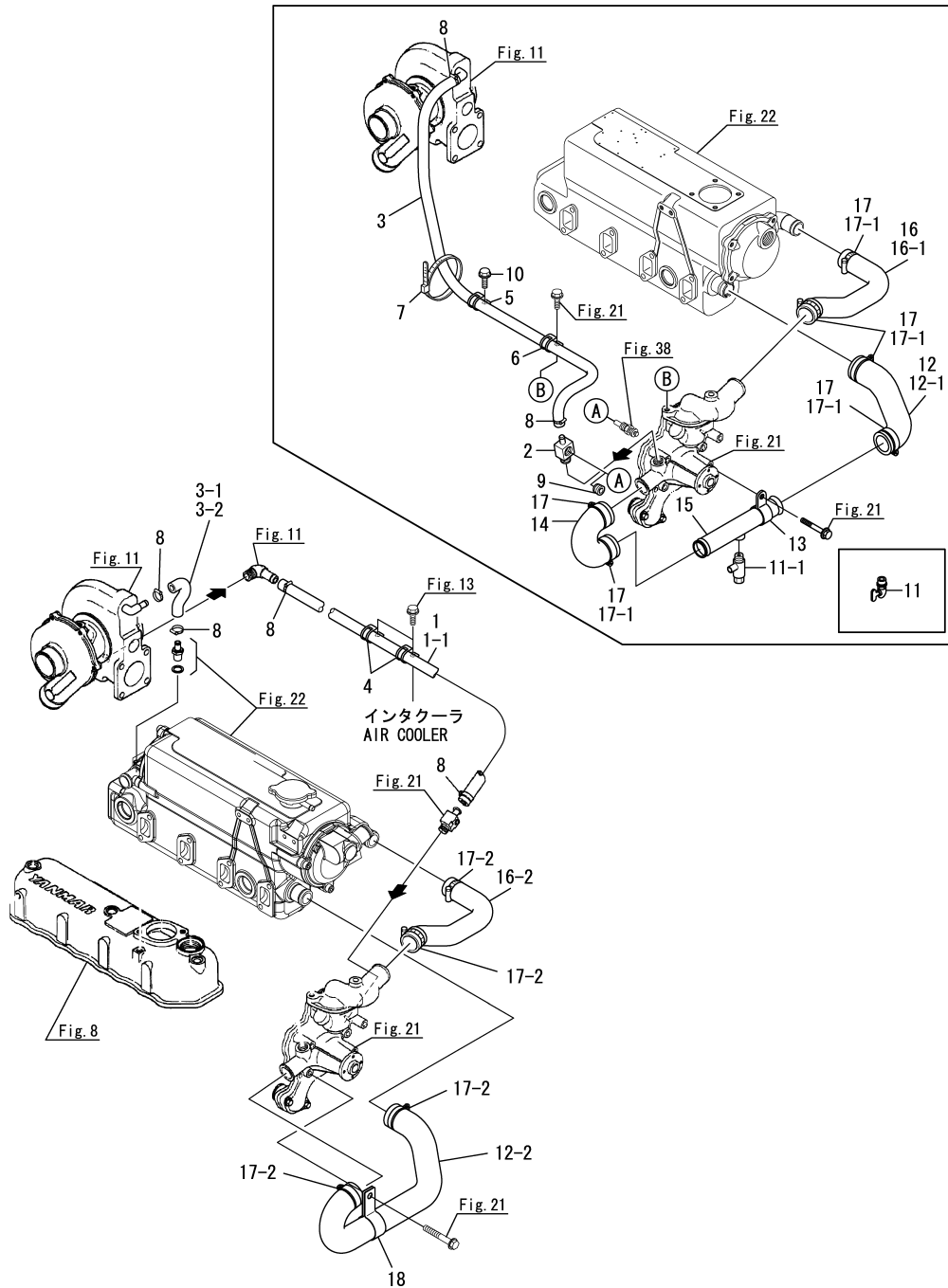
(1)Interchangeable by simultaneous replacement with Fig.13 No.1-1.

N:Old $\begin{matrix} \leftarrow \text{Yes} \\ \text{No} \end{matrix}$ New, Q:Old $\begin{matrix} \leftarrow \text{No} \\ \text{Yes} \end{matrix}$ New, R:Old $\begin{matrix} \leftarrow \text{Yes} \\ \text{Yes} \end{matrix}$ New, S:Old $\begin{matrix} \leftarrow \text{No} \\ \text{No} \end{matrix}$ New, W:Add, Z:Discontinued, F:Interchangeable by set, K:Q'ty Change

Fig.24. COOLING FRESH WATER PIPE

(A)=4JH3-HTE
(B)=4JH3-DTE
(C)=

(D)=
(E)=
(F)=



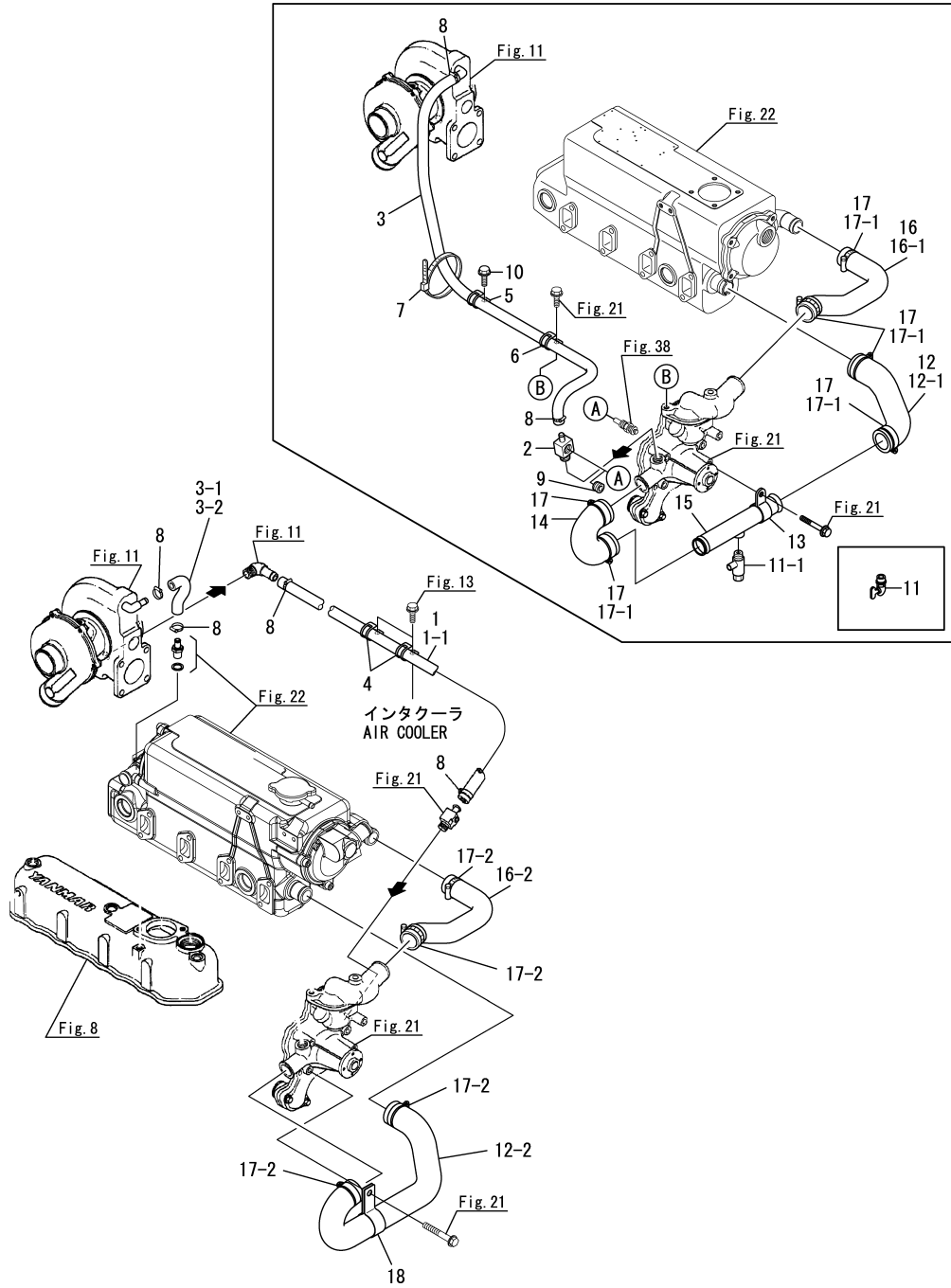
No.	Lev.	Parts No.	Description	Q'ty						I	R
				(A)	(B)	(C)	(D)	(E)	(F)		
1	1	127420-44560	PIPE, OVERFLOW L=740	1	1						
1-1	1	129673-44560	PIPE, OVERFLOW	1	1						R
		(A=*2003.04) (B=*2003.04)									
2	1	129473-49310	JOINT, PT3/8-8	1	1						Z
		(A=*2005.08) (B=*2005.08)									
3	1	129693-44560	PIPE, OVERFLOW	1	1						
3-1	1	129672-49500	PIPE	1	1						S
		(A=*2005.08) (B=*2005.08)									
3-2	1	129672-49500	PIPE	1	1						Z
		(A=*2013.05) (B=*2013.05)									
4	1	194440-51620	CLAMP	2	2						
5	1	194440-51620	CLAMP	1	1						Z
		(A=*2005.08) (B=*2005.08)									
6	1	194440-51620	CLAMP	1	1						Z
		(A=*2005.08) (B=*2005.08)									
7	1	121750-59890	BAND, 140	1	1						Z
		(A=*2005.08) (B=*2005.08)									
8	1	23000-013000	CLAMP, 13	4	4						
8-1	1	23000-013000	CLAMP, 13	3	3						K
		(A=*2013.05) (B=*2013.05)									
9	1	23876-030000	PLUG, R03	1	1						Z
		(A=*2005.08) (B=*2005.08)									
10	1	26106-060102	BOLT, M6X 10 PLATED	1	1						Z
		(A=*2005.08) (B=*2005.08)									
11	1	128695-44090	COCK	1	1						
11-1	1	129670-49290	COCK ASSY, R1/8	1	1						N
		(A=E20381) (B=E30425)									
11-2	1	129670-49290	COCK ASSY, R1/8	1	1						Z
		(A=*2005.08) (B=*2005.08)									
12	1	129470-49200	JOINT, RUBBER	1	1						
12-1	1	129673-49220	PIPE, WATER	1	1						N
		(A=E20607) (B=E30529)									
12-2	1	129671-49220	PIPE, WATER	1	1						S
		(A=*2005.08) (B=*2005.08)									
13	1	129470-49220	RETAINER	1	1						Z
		(A=*2005.08) (B=*2005.08)									
14	1	129470-49240	JOINT, RUBBER 28	1	1						
14-1	1	129673-49230	PIPE, WATER	1	1						N
		(A=E20607) (B=E30529)									
14-2	1	129673-49230	PIPE, WATER	1	1						Z
		(A=*2005.08) (B=*2005.08)									
15	1	129470-49250	PIPE, WATER	1	1						Z
		(A=*2005.08) (B=*2005.08)									
16	1	129693-49260	PIPE, WATER	1	1						
16-1	1	129673-49210	PIPE, WATER	1	1						N
		(A=E20607) (B=E30529)									
16-2	1	129672-49260	PIPE, COOLING WATER	1	1						S
		(A=*2005.08) (B=*2005.08)									
17	1	23000-035000	CLAMP, 35	6	6						
17-1	1	129670-49500	CLIP, HOSE 38	6	6						R
		(A=E20955) (B=E30887)									

N:Old $\xrightarrow{\text{Yes}}$ New, Q:Old $\xrightarrow{\text{No}}$ New, R:Old $\xrightarrow{\text{Yes}}$ New, S:Old $\xrightarrow{\text{No}}$ New, W:Add, Z:Discontinued, F:Interchangeable by set, K:Q'ty Change
 ++ CONTINUE ++
 Copyright (C) 2014 YANMAR CO., LTD. All Rights Reserved.

Fig.24. COOLING FRESH WATER PIPE

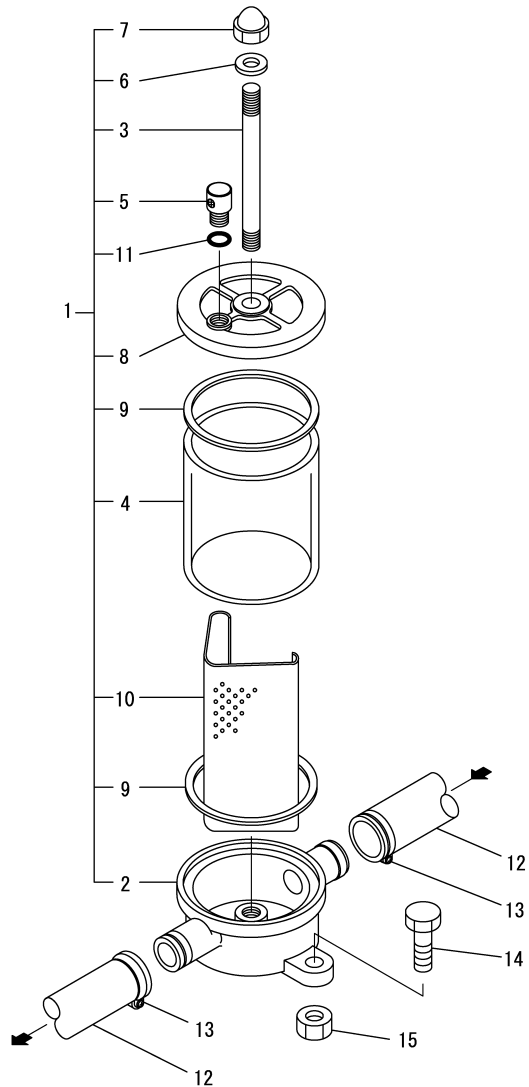
(A)=4JH3-HTE
(B)=4JH3-DTE
(C)=

(D)=
(E)=
(F)=



No.	Lev.	Parts No.	Description	Q'ty						I	R
				(A)	(B)	(C)	(D)	(E)	(F)		
17-2	1	129670-49500	CLIP, HOSE 38	4	4						K
		(A=*2005.08)	(B=*2005.08)								
18	1	129271-49110	RETAINER, PIPE	1	1						W
		(A=*2009.06)	(B=*2009.06)								

Fig.25. COOLING SEA WATER STRAINER(OPTIONAL)

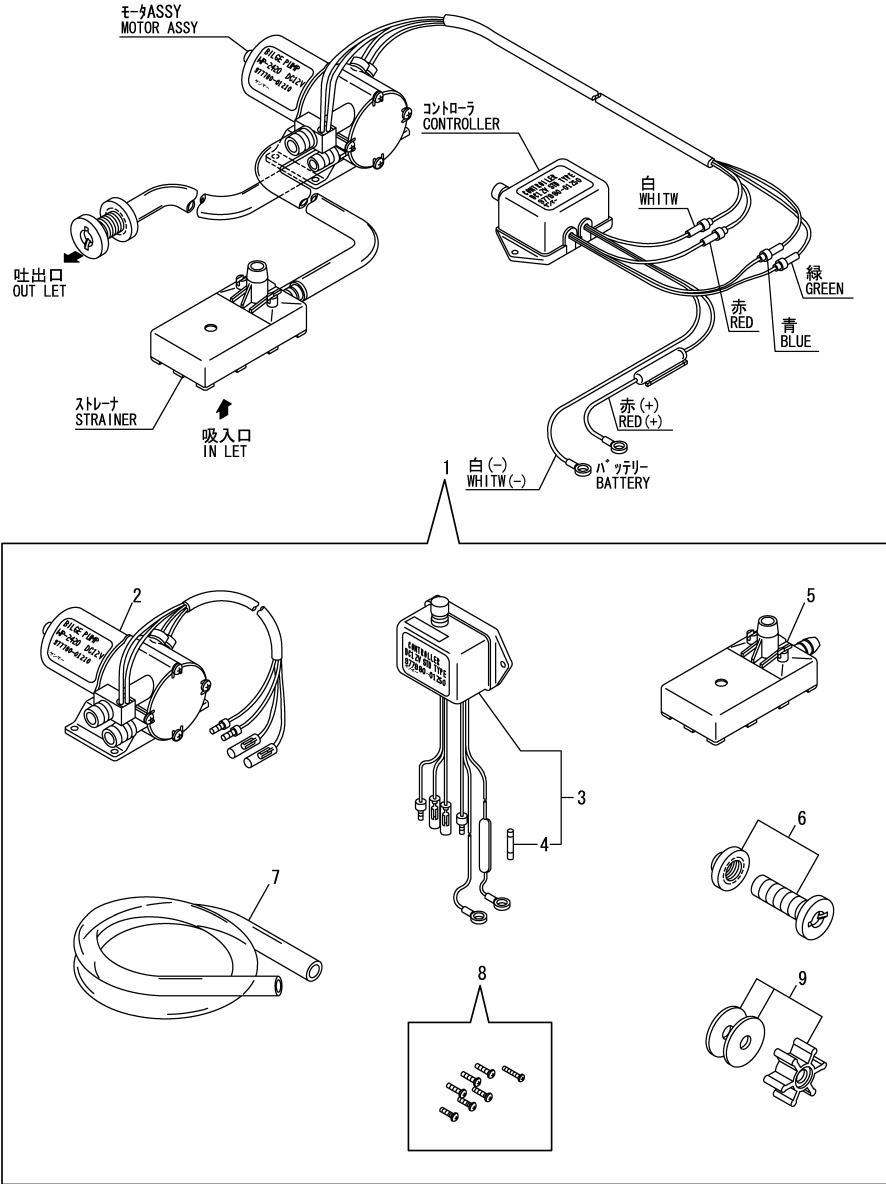


(A)=4JH3-HTE
(B)=4JH3-DTE
(C)=

(D)=
(E)=
(F)=

No.	Lev.	Parts No.	Description	Q'ty						I	R
				(A)	(B)	(C)	(D)	(E)	(F)		
1	1	129795-48800	STRAINER	1	1						
2	2	XTST25S001	BODY	1	1						
3	2	XTST25S002	BOLT M 8X125	1	1						
4	2	XTST25S003	PIPE, OUTER	1	1						
5	2	XTST25S004	PLUG M 8	1	1						
6	2	XTST25S005	PACKING	1	1						
7	2	26664-080002	NUT, CAP M8	1	1						
8	2	XTST25S007	COVER	1	1						
9	2	XTST25S008	PACKING	2	2						
10	2	XTST25S009	FILTER	1	1						
11	2	24311-000060	O-RING, 1AP6.0	1	1						
12	1	23072-101000	HOSE, 10X1000	1	1						
13	1	23000-041000	CLAMP, 41	2	2						
13-1	1	129670-49500	CLIP, HOSE 38	2	2						R
		(A=E20955) (B=E30887)									
14	1	26116-080302	BOLT, M8X 30 PLATED	2	2						
15	1	26703-080002	NUT, M8	2	2						

Fig.26. BILGE PUMP(STD)



(A)=4JH3-HTE
(B)=4JH3-DTE
(C)=

(D)=
(E)=
(F)=

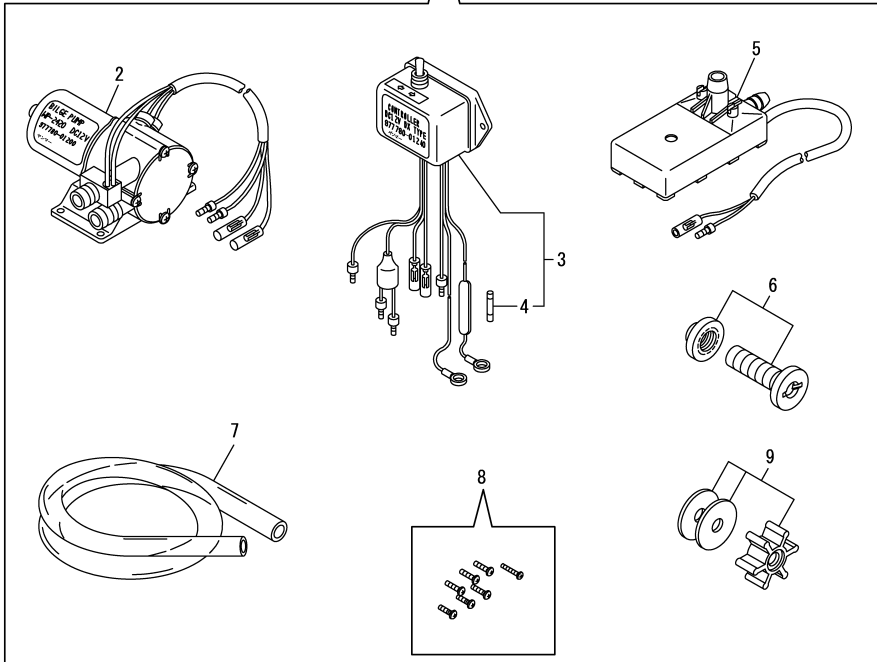
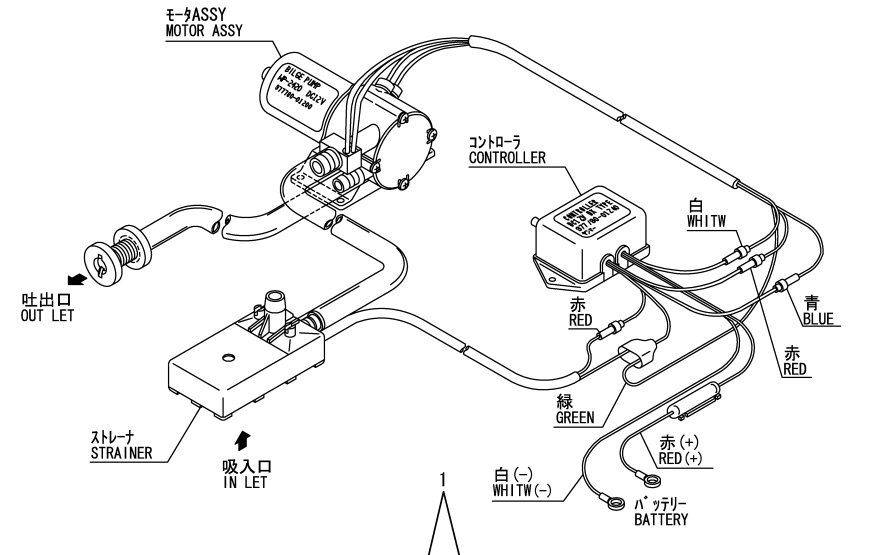
No.	Lev.	Parts No.	Description	Q'ty						I	R
				(A)	(B)	(C)	(D)	(E)	(F)		
1	1	977780-01210	PUMP(12V),BILGE	1	1						
1-1	1	977780-01211	PUMP ASSY, BILGE	1	1						N 1
				(A=*1997.01)		(B=*1997.01)					
2	2	977780-01230	MOTOR ASSY(BILG PUMP	1	1						
3	2	977780-01250	CONTROLLER	1	1						
4	3	X8636008003	FUSE	1	1						
5	2	X179100021X	STRAINER	1	1						
6	2	X179100100X	PIPE ASSY	1	1						
7	2	X0044021509	HOSE A	1	1						
8	2	X199903800X	SCREW KIT	1	1						
9	2	977780-03000	INPELLER	1	1						

Remarks

(1)Inner parts are shown in Fig.57.

N:Old $\xrightarrow{\text{Yes}}$ New, Q:Old $\xrightarrow{\text{No}}$ New, R:Old $\xrightarrow{\text{Yes}}$ New, S:Old $\xrightarrow{\text{No}}$ New, W:Add, Z:Discontinued, F:Interchangeable by set, K:Q'ty Change

Fig.27. BILGE PUMP(DX)



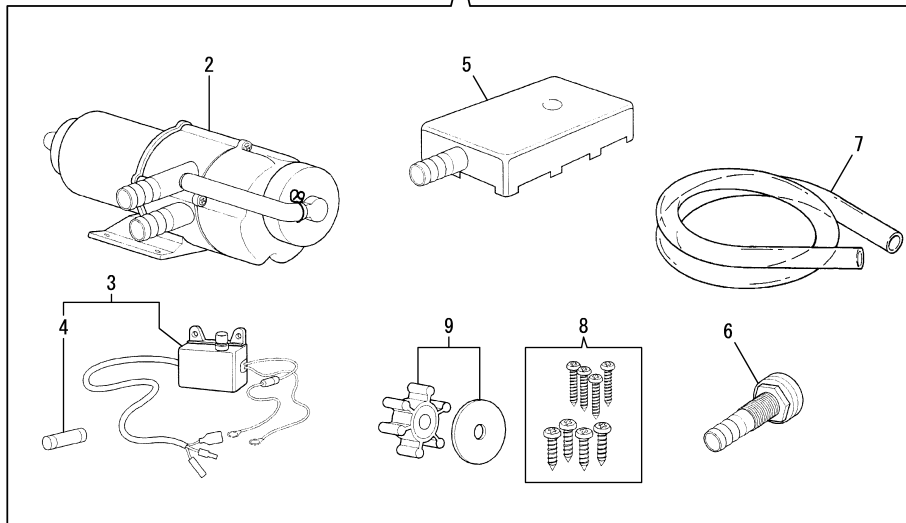
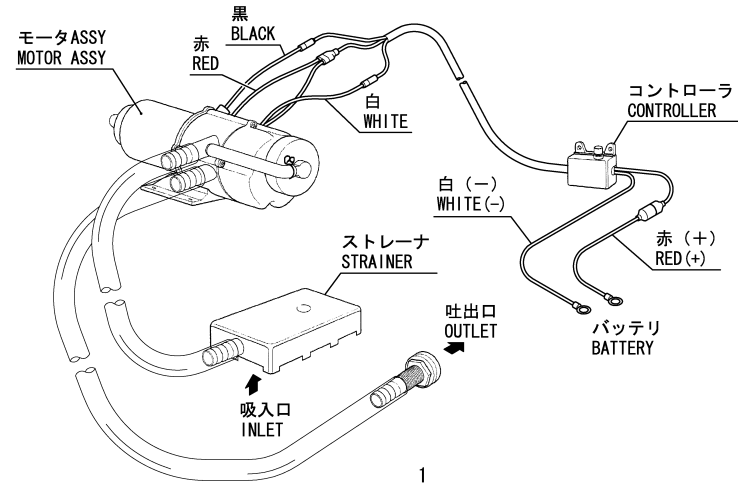
(A)=4JH3-HTE
(B)=4JH3-DTE
(C)=

(D)=
(E)=
(F)=

No.	Lev.	Parts No.	Description	Q'ty						I	R
				(A)	(B)	(C)	(D)	(E)	(F)		
1	1	977780-01200	PUMP(12V),BILGE	1	1						
1-1	1	977780-01211	PUMP ASSY, BILGE	1	1						N 1
				(A=*1997.01)		(B=*1997.01)					
2	2	977780-01230	MOTOR ASSY(BILG PUMP	1	1						
3	2	977780-01240	CONTROLLER	1	1						
4	3	X8636008003	FUSE	1	1						
5	2	X179100011X	STRAINER	1	1						
6	2	X179100100X	PIPE ASSY	1	1						
7	2	X0044021509	HOSE A	1	1						
8	2	X199903800X	SCREW KIT	1	1						
9	2	977780-03000	INPELLER	1	1						

Remarks
(1) Inner parts are shown in Fig.57.

Fig.57. (27A)BILGE PUMP(12V)



(A)=4JH3-HTE
(B)=4JH3-DTE
(C)=

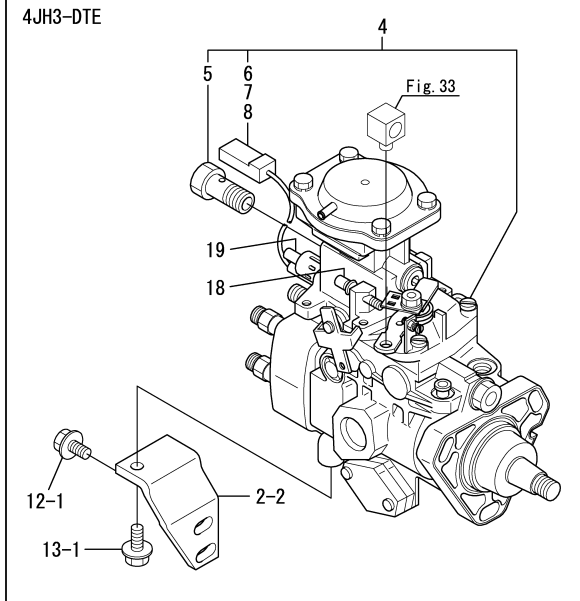
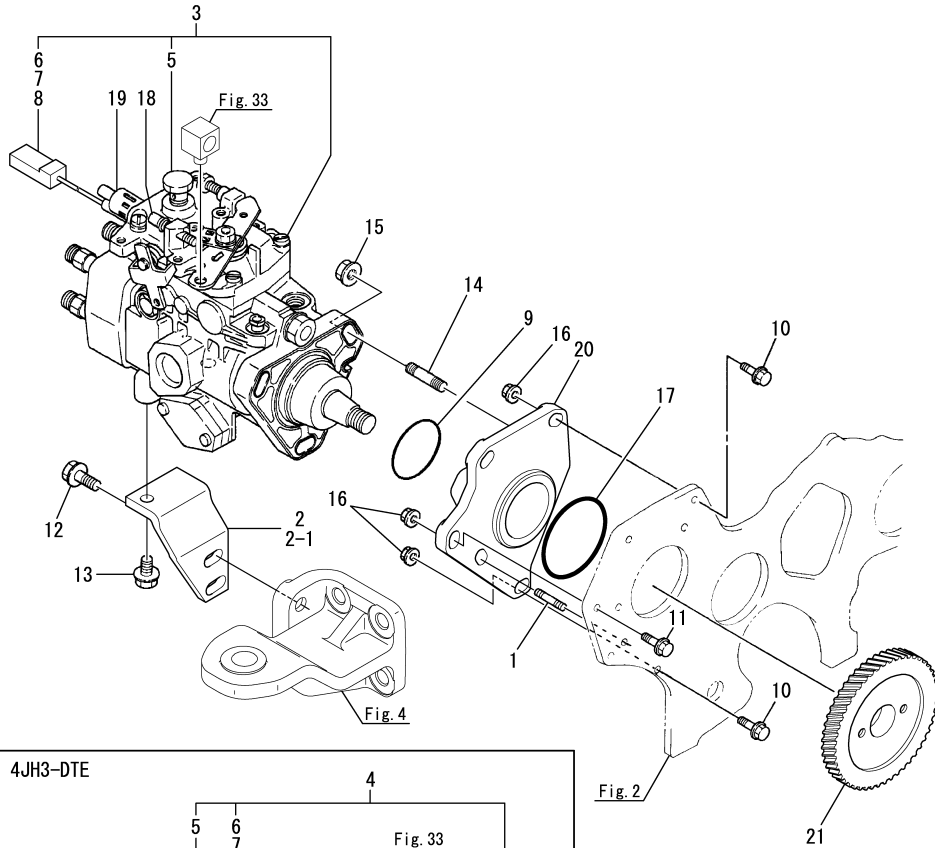
(D)=
(E)=
(F)=

No.	Lev.	Parts No.	Description	Q'ty						I	R
				(A)	(B)	(C)	(D)	(E)	(F)		
1	1	977780-01211	PUMP ASSY, BILGE	1	1						
2	2	X0318101004	MOTOR ASSY, BILGE	1	1						
3	2	X158606410X	SWITH	1	1						
4	3	X8636015001	FUSE	1	1						
5	2	X179100022X	STRAINER	1	1						
6	2	X179100100X	PIPE ASSY	1	1						
7	2	X0044021509	HOSE A	1	1						
8	2	X199906101X	SCREW SET	1	1						
9	2	977780-03000	INPELLER	1	1						

Fig.28. FUEL INJECTION PUMP

(A)=4JH3-HTE
(B)=4JH3-DTE
(C)=

(D)=
(E)=
(F)=

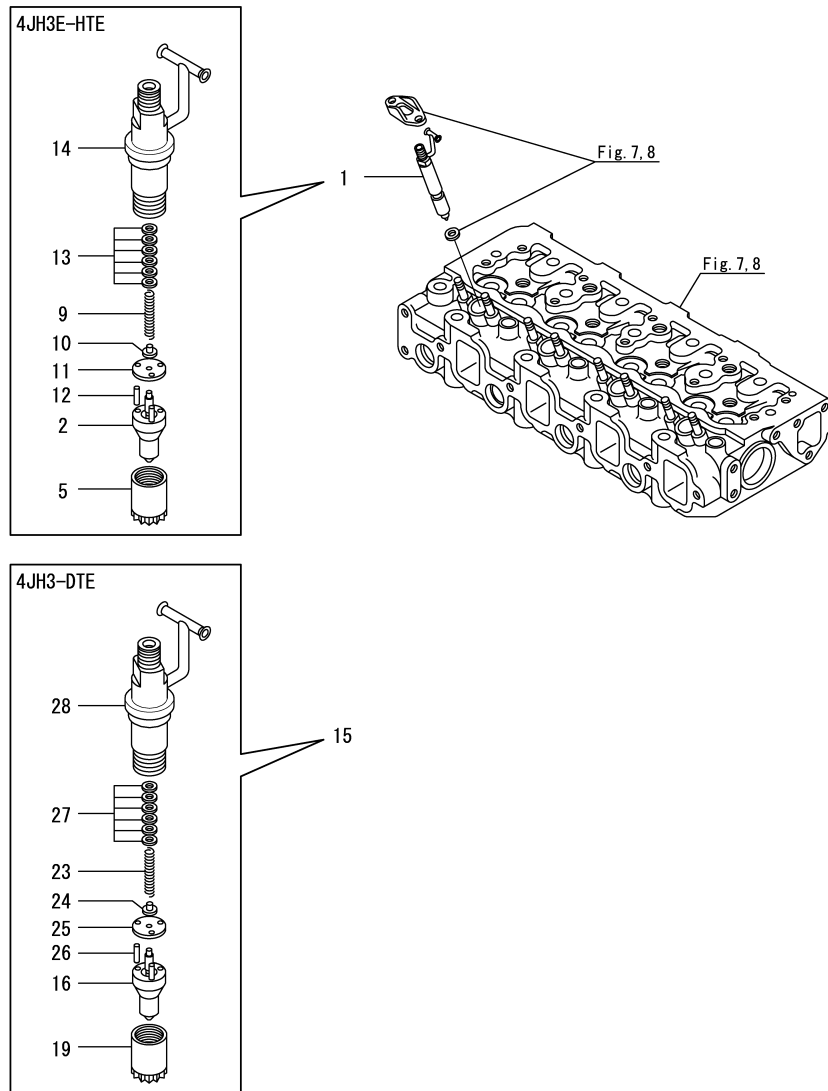


No.	Lev.	Parts No.	Description	Q'ty						I	R
				(A)	(B)	(C)	(D)	(E)	(F)		
1	1	121450-01560	STUD, M8X22	1	1						
2	1	129673-51250	RETAINER, PUMP	1	1						
2-1	1	129673-51251	RETAINER, PUMP	1	1						N
2-2	1	129673-51260	RETAINER,FI PUMP		1						N
3	1	129672-51900	PUMP ASSY, INJECTION	1							
3-1	1	129672-51901	PUMP ASSY, INJECTION	1							N
4	1	129698-51901	PUMP ASSY, INJECTION		1						
4-1	1	129698-51902	PUMP ASSY, INJECTION		1						N
5	2	119171-59200	BOLT, PIPE JOINT	1	1						
6	2	129693-67210	SPRING	1	1						
7	2	119171-67200	SOLENOID, MAGNETIC	1	1						
8	2	X1466584820	WIRE	1	1						
9	1	24341-000500	O-RING, 1AS50.0	1	1						
10	1	26106-080652	BOLT, M8X 65 PLATED	3	3						
11	1	26106-080752	BOLT, M8X 75 PLATED	1	1						
12	1	26106-100182	BOLT, M10X 18 PLATED	1	1						
12-1	1	26106-100202	BOLT, M10X 20 PLATED		1						N
13	1	26106-100222	BOLT, M10X 22 PLATED	2	2						
13-1	1	26106-100202	BOLT, M10X 20 PLATED		2						N
14	1	26216-080282	STUD, M8X 28	3	3						
15	1	26306-080002	NUT, M8	3	3						
16	1	26306-080002	NUT, M8	5	5						
17	1	121850-51960	O-RING	1	1						
18	1	129930-61970	CAP	1	1						W
19	1	129930-61980	CAP	1	1						W
20	1	129673-54030	BRACKET, PUMP	1	1						
21	1	129673-25900	GEAR, PUMP	1	1						

Fig.29. FUEL INJECTION VALVE

(A)=4JH3-HTE
(B)=4JH3-DTE
(C)=

(D)=
(E)=
(F)=

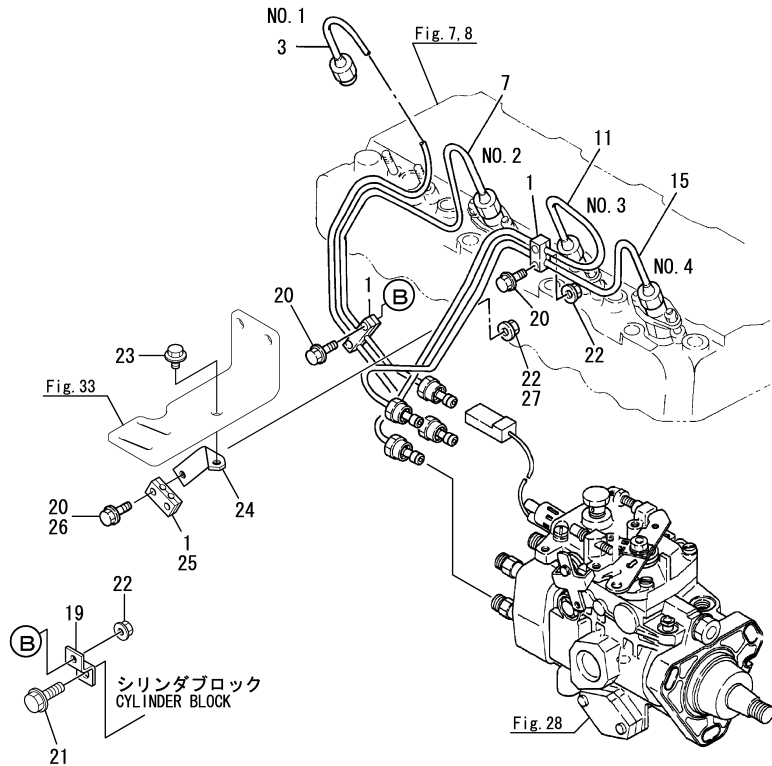


No.	Lev.	Parts No.	Description	Q'ty						I	R
				(A)	(B)	(C)	(D)	(E)	(F)		
1	1	729692-53100	VALVE ASSY,INJECTION	4							
1-1	1	729672-53100	VALVE ASSY,INJECTION	4							N
(A=*E21461)											
2	2	129692-53000	VALVE ASSY,INJECTION	4							
2-1	2	129672-53000	VALVE ASSY,INJECTION	4							N
(A=*E21461)											
5	2	114250-53080	NUT, NOZZLE D16.95	4							
9	2	114250-53120	SPRING, NOZZLE	4							
10	2	114250-53130	SEAT, SPRING	4							
11	2	114250-53140	PLATE	4							
12	2	114250-53210	PIN	8							
13	2	114250-53400	SHIM SET	4							
13-1	2	119803-53400	SHIM SET	4							R
(A=*2007.08)											
14	2	129470-11920	GASKET	4							
14-1	2	129685-11930	GASKET, NOZZLE	4							R
(A=*2005.09)											
15	1	729692-53100	VALVE ASSY,INJECTION		4						
15-1	1	729673-53100	VALVE ASSY,INJECTION		4						N
(B=*2004.11)											
16	2	129692-53000	VALVE ASSY,INJECTION		4						
16-1	2	129673-53000	VALVE ASSY,INJECTION		4						S
(B=*2004.11)											
19	2	114250-53080	NUT, NOZZLE D16.95		4						
23	2	114250-53120	SPRING, NOZZLE		4						
24	2	114250-53130	SEAT, SPRING		4						
25	2	114250-53140	PLATE		4						
26	2	114250-53210	PIN		8						
27	2	114250-53400	SHIM SET		4						
27-1	2	119803-53400	SHIM SET		4						R
(B=*2007.08)											
28	2	129470-11920	GASKET		4						
28-1	2	129685-11930	GASKET, NOZZLE		4						R
(B=*2005.09)											

Fig.30. FUEL INJECTION PIPE

(A)=4JH3-HTE
(B)=4JH3-DTE
(C)=

(D)=
(E)=
(F)=

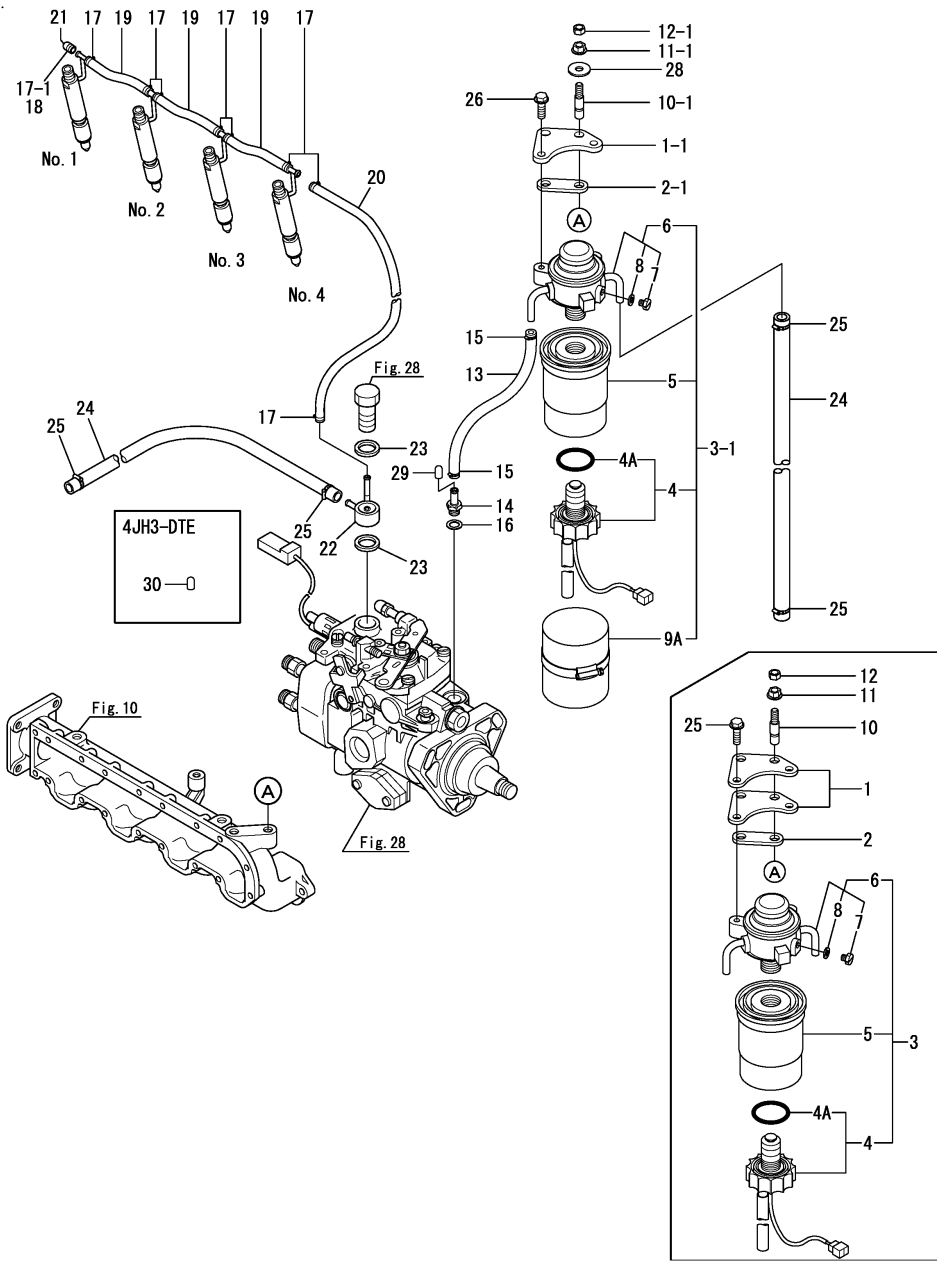


No.	Lev.	Parts No.	Description	Qty						I	R
				(A)	(B)	(C)	(D)	(E)	(F)		
1	1	122780-59100	RETAINER	6	6						
1-1	1	122780-59100	RETAINER	4	4						K
		(A=E20245) (B=E30345)									
1-2	1	122780-59100	RETAINER	2	2						K
		(A=*2004.06) (B=*2004.06)									
3	1	129693-59810	PIPE ASSY, INJECTION	1	1						
3-1	1	129693-59811	PIPE ASSY, INJECTION	1	1						N
		(A=E20426) (B=E30435)									
7	1	129693-59820	PIPE ASSY, INJECTION	1	1						
7-1	1	129693-59821	PIPE ASSY, INJECTION	1	1						N
		(A=E20426) (B=E30435)									
11	1	129693-59830	PIPE ASSY, INJECTION	1	1						
15	1	129693-59840	PIPE ASSY, INJECTION	1	1						
19	1	129574-59950	SUPPORT	1	1						
20	1	26106-060202	BOLT, M6X 20 PLATED	6	6						
20-1	1	26106-060202	BOLT, M6X 20 PLATED	4	4						K
		(A=E20245) (B=E30345)									
20-2	1	26106-060202	BOLT, M6X 20 PLATED	2	2						K
		(A=*2004.06) (B=*2004.06)									
21	1	26106-080122	BOLT, M8X 12 PLATED	1	1						
22	1	26366-060002	NUT, M6	5	5						
22-1	1	26366-060002	NUT, M6	4	4						K
		(A=E20017) (B=E30055)									
22-2	1	26366-060002	NUT, M6	6	6						K
		(A=E20245) (B=E30345)									
22-3	1	26366-060002	NUT, M6	1	1						K
		(A=*2004.06) (B=*2004.06)									
23	1	26106-060102	BOLT, M6X 10 PLATED	1	1						W
		(A=E20017) (B=E30055)									
23-1	1	26106-060102	BOLT, M6X 10 PLATED	1	1						Z
		(A=*2004.06) (B=*2004.06)									
24	1	129673-59950	RETAINER, PIPE	1	1						W
		(A=E20017) (B=E30055)									
25	1	122780-59100	RETAINER	2	2						W
		(A=*2004.06) (B=*2004.06)									
26	1	26106-060202	BOLT, M6X 20 PLATED	2	2						W
		(A=*2004.06) (B=*2004.06)									
27	1	26366-060002	NUT, M6	2	2						W
		(A=*2004.06) (B=*2004.06)									

Fig.31. FUEL PIPE

(A)=4JH3-HTE
(B)=4JH3-DTE
(C)=

(D)=
(E)=
(F)=



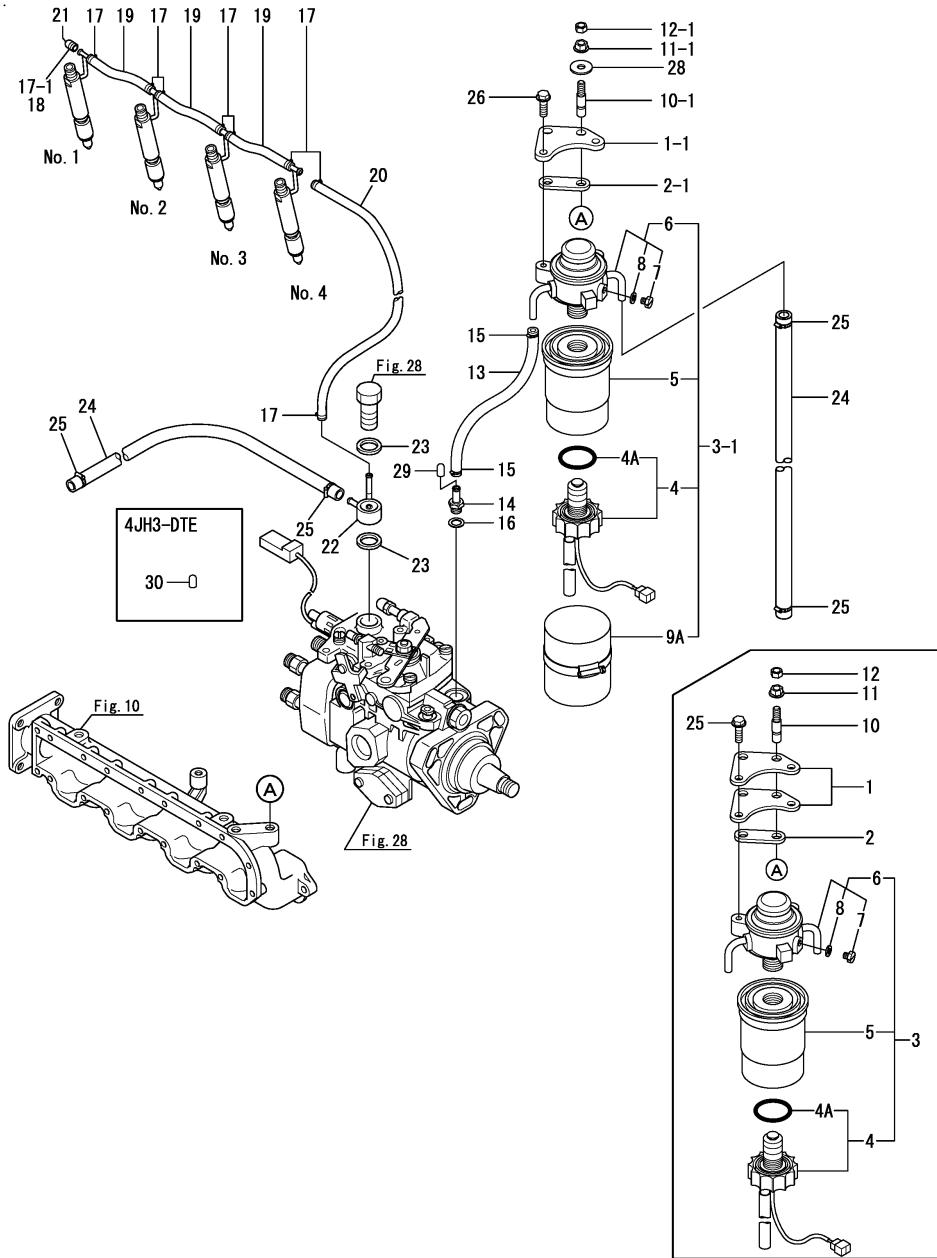
No.	Lev.	Parts No.	Description	(A)	(B)	(C)	(D)	(E)	(F)	Q'ty	I	R
1	1	129673-55650	BRACKET, FILTER	2	2							
1-1	1	129673-55660	BRACKET	1	1							S
		(A=*2005.03)	(B=*2005.03)									
2	1	119173-55700	RUBBER	1	1							
2-1	1	129670-55700	RUBBER	1	1							S
		(A=*2005.03)	(B=*2005.09)									
3	1	129574-55800	STRAINER ASSY, FUEL	1	1							
3-1	1	129574-55820	STRAINER ASSY, FUEL	1	1							N
		(A=*2005.09)	(B=*2005.09)									
4	2	129574-55730	SENSOR	1	1							
4A	3	129574-55780	O-RING	1	1							
5	2	129574-55710	FILTER, FUEL	1	1							
5-1	2	129574-55711	FILTER, FUEL	1	1							N
		(A=E20749)	(B=E30729)									
6	2	129574-55700	BODY ASSY	1	1							
7	3	121857-55750	PLUG	1	1							
8	3	121857-55760	WASHER	1	1							
9A	2	129574-55830	COVER, FILTER	1	1							W
		(A=*2005.09)	(B=*2005.09)									
10	1	26216-100352	STUD, M10X 35	2	2							
10-1	1	129671-55660	BOLT	2	2							S
		(A=*2005.03)	(B=*2005.03)									
11	1	26306-100002	NUT, M10	2	2							
11-1	1	26366-080002	NUT, M8	2	2							S
		(A=*2005.03)	(B=*2005.03)									
12	1	26716-100002	NUT, M10	2	2							
12-1	1	26716-080002	NUT, M8	2	2							S
		(A=*2005.03)	(B=*2005.03)									
13	1	129470-59540	PIPE, FUEL	1	1							
13-1	1	129673-59121	PIPE, FUEL	1	1							N
		(A=E20238)	(B=E30345)									
13-2	1	128990-59540	PIPE, FUEL	1	1							N
		(A=*2005.05)	(B=*2005.05)									
14	1	119171-59910	JOINT, PIPE	1	1							
15	1	23080-013000	CLAMP, 13	2	2							
15-1	1	23000-016000	CLAMP, 16	2	2							N
		(A=E20238)	(B=E30345)									
15-2	1	23000-019000	CLAMP, 19	2	2							R
		(A=*2009.11)	(B=*2009.11)									
16	1	23414-120000	GASKET, 12X1.0	1	1							
16-1	1	22190-120002	WASHER, SEAL 12	1	1							N
		(A=E20635)	(B=E30557)									
17	1	124722-59050	CLAMP, HOSE 9	8	8							
17-1	1	23000-013000	CLAMP, 13	9	9							N
		(A=E20238)	(B=E30345)									
18	1	119593-59590	BAND	1	1							Z
		(A=E20238)	(B=E30345)									
19	1	129495-59551	PIPE, FUEL RETURN	3	3							
19-1	1	129495-59553	PIPE, FUEL	3	3							N
		(A=E20238)	(B=E30345)									
19-2	1	129270-59550	PIPE, FUEL	3	3							R

Remarks
(1)Fuel in-out.

Fig.31. FUEL PIPE

(A)=4JH3-HTE
(B)=4JH3-DTE
(C)=

(D)=
(E)=
(F)=

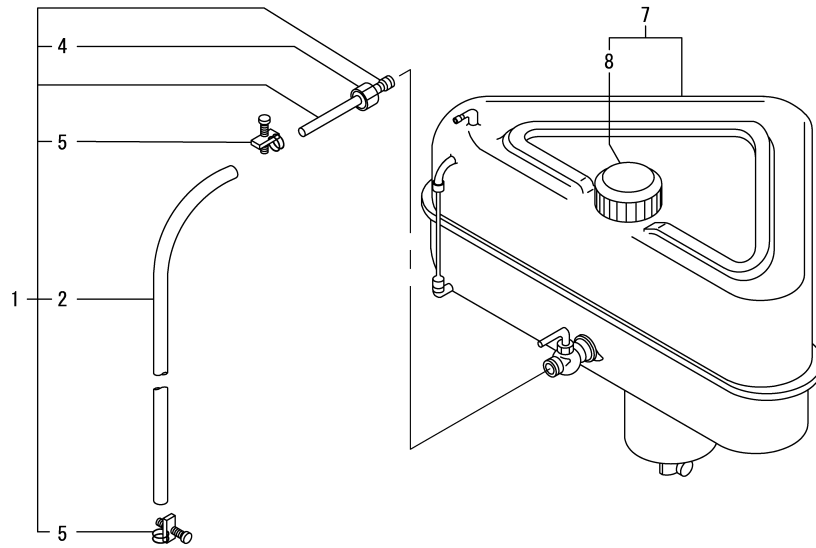


No.	Lev.	Parts No.	Description	Q'ty						I	R	
				(A)	(B)	(C)	(D)	(E)	(F)			
		(A=E20273) (B=E30345)										
20	1	129693-59560	PIPE, FUEL RETURN	1	1							
20-1	1	129693-59562	PIPE, FUEL	1	1							N
		(A=E20238) (B=E30345)										
21	1	119593-59580	CAP	1	1							
21-1	1	129270-59580	CAP	1	1							N
		(A=E20238) (B=E30345)										
22	1	129574-59990	JOINT, PIPE	1	1							
22-1	1	129574-59991	JOINT, PIPE	1	1							N
		(A=*2006.01) (B=*2006.01)										
23	1	23414-120000	GASKET, 12X1.0	2	2							
23-1	1	22190-120002	WASHER, SEAL 12	2	2							N
		(A=E20635) (B=E30557)										
24	1	129795-59100	PIPE, FUEL L=4000	1	1							
25	1	23000-016000	CLAMP, 16	4	4							
26	1	26106-08025262	BOLT, M8X 25 PLATED	2	2							
28	1	22137-080000	WASHER, 8	2	2							W
		(A=*2005.03) (B=*2005.03)										
29	1	129461-59580	CAP, FUEL OIL	1	1							W
		(A=*2003.06) (B=*2003.06)										
30	1	128990-59900	CAP, FUEL IN-OUT		2							W 1
		(B=*2013.05)										

Remarks

(1)Fuel in-out.

Fig.32. FUEL TANK



(A)=4JH3-HTE
(B)=4JH3-DTE
(C)=

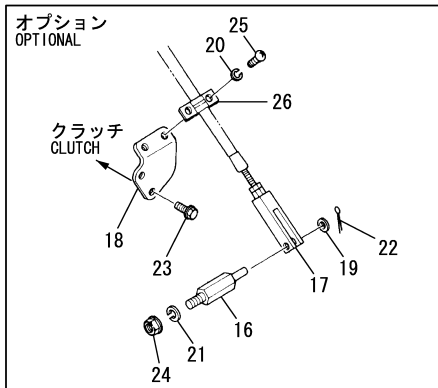
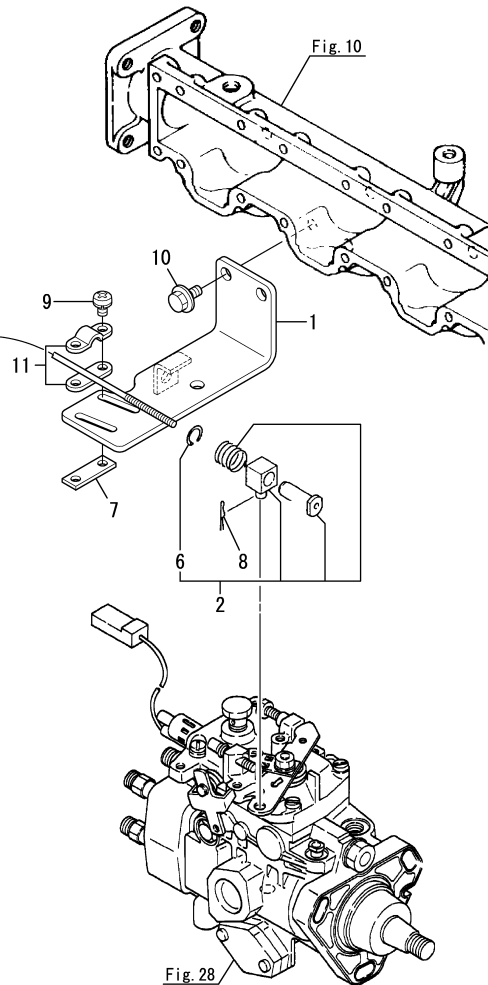
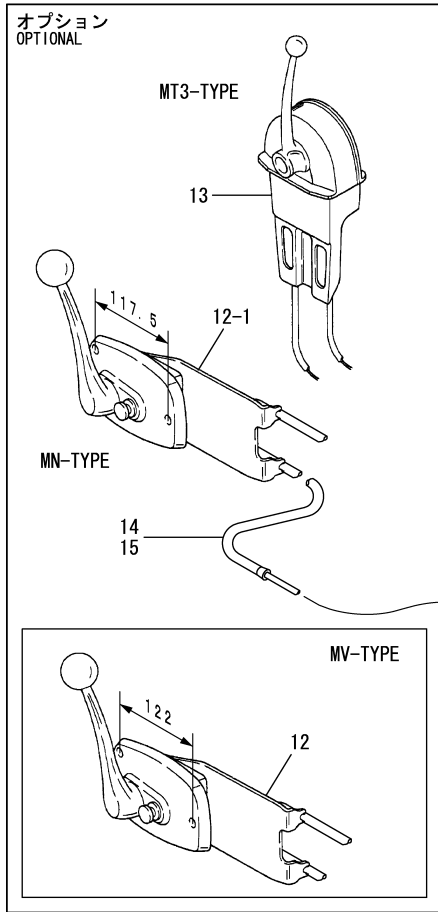
(D)=
(E)=
(F)=

No.	Lev.	Parts No.	Description	Q'ty						I	R
				(A)	(B)	(C)	(D)	(E)	(F)		
1	1	124070-59060	PIPE ASSY, FUEL	1	1						
1-1	1	128990-59700	PIPE ASSY, FUEL	1	1						N
		(A=*2004.02)	(B=*2004.02)								
2	2	124070-59130	PIPE, FUEL 2M	1	1						
2-1	2	128990-59131	PIPE, FUEL	1	1						N
		(A=*2004.02)	(B=*2004.02)								
4	2	138603-59380	CAP NUT	1	1						
5	2	23010-014000	CLAMP, 14	2	2						
7	1	83213-003012	TANK ASSY, FUEL OIL	1	1						
8	2	105430-55041	CAP ASSY	1	1						

Fig.33. ENGINE STOP DEVIC

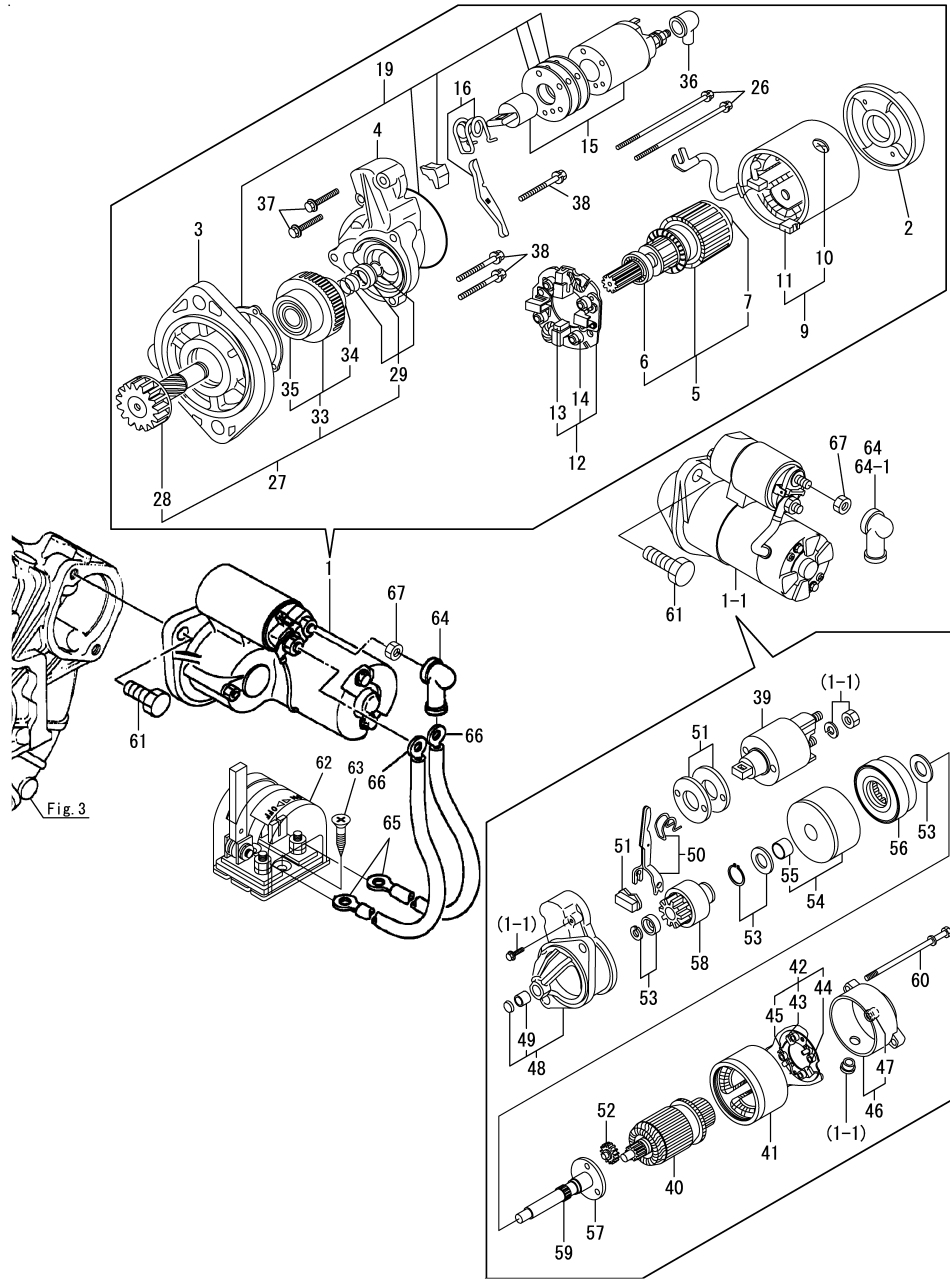
(A)=4JH3-HTE
(B)=4JH3-DTE
(C)=

(D)=
(E)=
(F)=



No.	Lev.	Parts No.	Description	Q'ty						I	R
				(A)	(B)	(C)	(D)	(E)	(F)		
1	1	129693-67101	BRACKET	1	1						
1-1	1	129693-67102	BRACKET	1	1						N
		(A=E20245) (B=E30345)									
2	1	105311-67200	RETAINER ASSY	1	1						
6	2	22242-000100	RING, 10	1	1						
7	1	121574-86320	RETAINER	1	1						
8	1	22414-250150	PIN, COTTER 2.5X15	1	1						
9	1	26022-050162	SCREW, M5X16	2	2						
10	1	26106-080122	BOLT, M8X 12 PLATED	2	2						
11	1	41710-000410	CLAMP	1	1						
12	1	128170-86500	CONTROLLER	1	1						
12-1	1	128170-86501	REMOCON HEAD (MN)	1	1						S
		(A=E21257) (B=E31219)									
13	1	41730-000681	MT-3 REMO-CON	1	1						
14	1	41710-000380	CABLE L=4000	2	2						
14-1	1	27730-301400	CABLE (L=4000)	2	2						R
		(A=*2012.06) (B=*2012.06)									
15	1	129470-86500	CABLE, L=7000	2	2						
16	1	129470-86250	JOINT	1	1						
17	1	128370-86280	CLEVIS, 12SQ-48L	1	1						
18	1	129470-86310	BRACKET, CABLE	1	1						
19	1	22113-060000	WASHER, 6	1	1						
20	1	22217-050000	WASHER, SPRING 5	2	2						
21	1	22217-080000	WASHER, SPRING 8	1	1						
22	1	22414-160100	PIN, COTTER 1.6X10	1	1						
23	1	26106-060162	BOLT, M6X 16 PLATED	2	2						
24	1	26306-080002	NUT, M8	1	1						
25	1	26557-050082	SCREW, M5X 8	2	2						
26	1	41710-000410	CLAMP	1	1						

Fig.34. STARTING MOTOR



(A)=4JH3-HTE
(B)=4JH3-DTE
(C)=

(D)=
(E)=
(F)=

No.	Lev.	Parts No.	Description	Q'ty						I	R
				(A)	(B)	(C)	(D)	(E)	(F)		
1	1	171008-77010	STARTER, S114-483A	1	1						
1-1	1	129608-77010	STARTER, S114-817A	1	1						F 1
		(A=*2007.01) (B=*2007.01)									
2	2	171008-77500	COVER, REAR	1	1						
3	2	171008-77510	CASE, GEAR	1	1						
4	2	171008-77520	HOUSING, CENTER	1	1						
5	2	171008-77400	ARMATURE ASSY	1	1						
6	3	X2114255110	BEARING, BALL	1	1						
7	3	X2130350900	BEARING, BALL	1	1						
9	2	171008-77440	COIL ASSY, FIELD	1	1						
10	3	171008-77450	SCREW	4	4						
11	3	171008-77460	BRUSH (+)	2	2						
12	2	171008-77470	HOLDER ASSY, BRUSH	1	1						
13	3	171008-77480	BRUSH (-)	2	2						
14	3	171008-77490	SPRING, BRUSH	4	4						
15	2	171008-77531	SWITCH ASSY,MAGNETIC	1	1						
16	2	171008-77540	LEVER SET	1	1						
19	2	171008-77571	COVER KIT, DUST	1	1						
26	2	171008-77640	BOLT, THROUGH	2	2						
27	2	171008-77650	PINION ASSY	1	1						
28	3	171008-77660	SHAFT	1	1						
29	3	171008-77670	STOPPER SET	1	1						
33	3	X2114555500	CLUTCH ASSY	1	1						
34	4	X2114955020	BEARING, BALL	1	1						
35	4	X2240410100	BEARING, BALL	1	1						
36	2	171008-77750	COVER	1	1						
37	2	26106-060322	BOLT, M6X 32 PLATED	2	2						
38	2	26106-060402	BOLT, M6X 40 PLATED	3	3						
39	2	129698-77020	SWITCH ASSY	1	1						
40	2	129698-77101	ARMATURE ASSY	1	1						
41	2	129608-77110	YOKE ASSY	1	1						
42	2	129698-77120	HOLDER ASSY, BRUSH	1	1						
43	3	129698-77140	BRUSH SET	1	1						
44	3	129698-77130	BRUSH	2	2						
45	3	129698-77150	SPRING, BRUSH	4	4						
46	2	129698-77161	COVER ASSY	1	1						
47	3	129698-77170	BEARING	1	1						
48	2	129698-77260	CASE ASSY	1	1						
49	3	X2114535200	METAL, STARTER	1	1						
50	2	129698-77270	LEVER SET, SHIFT	1	1						
51	2	129698-77280	COVER KIT	1	1						
52	2	129698-77240	GEAR	3	3						
53	2	129698-77250	WASHER SET	1	1						
54	2	129698-77180	BRACKET	1	1						
55	3	129698-77190	BRACKET	1	1						
56	2	129698-77200	GEAR, INTERNAL	1	1						
57	2	129698-77210	BRACKET	1	1						
58	2	129698-77220	PINION ASSY	1	1						
59	2	129698-77230	SHAFT	1	1						
60	2	124195-77770	BOLT, THROUGH	2	2						
61	1	26116-120302	BOLT, M12X 30 PLATED	2	2						

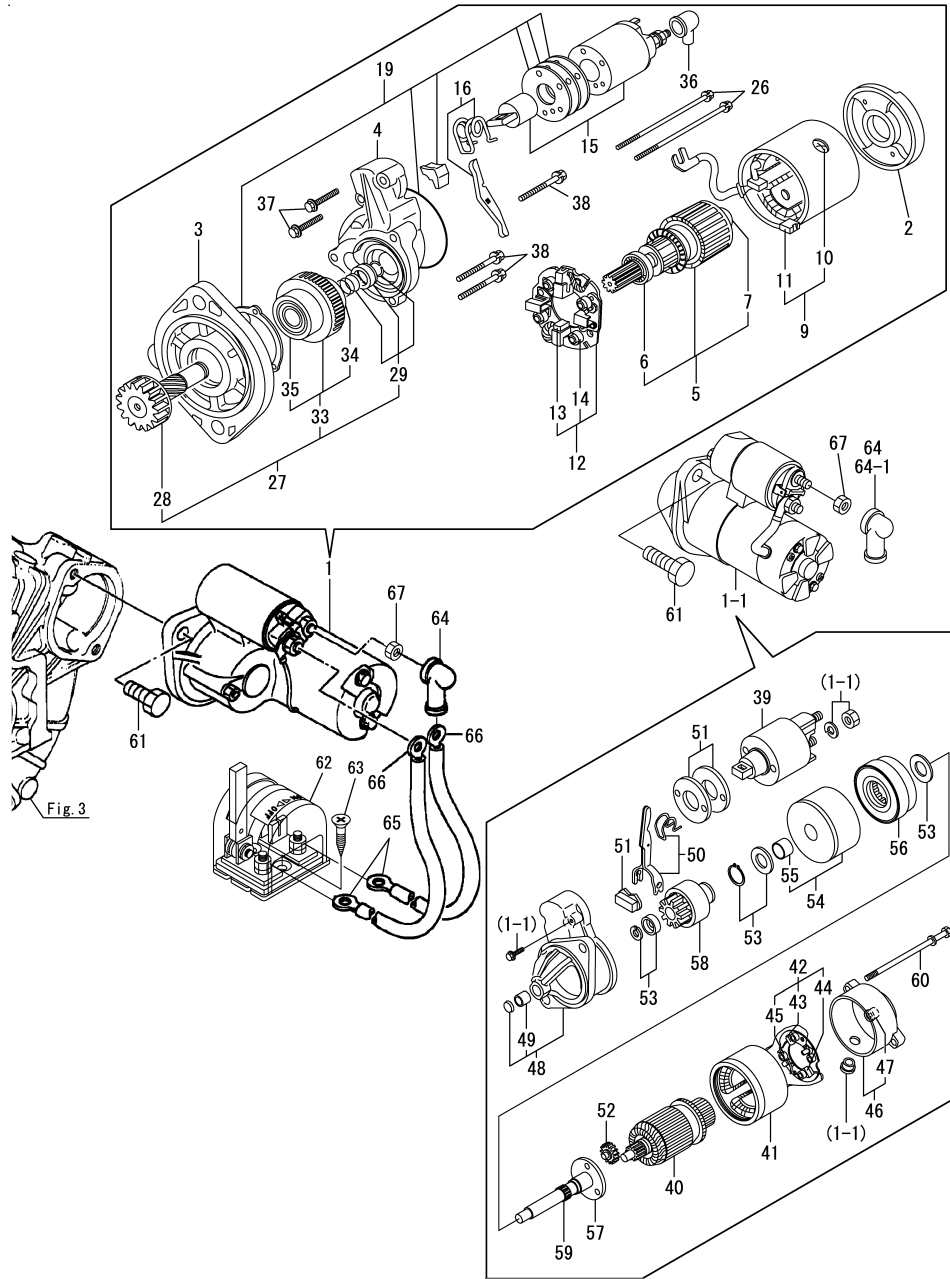
Remarks

(1)Interchangeable by simultaneous replacement with No.1-1, Fig.38 No.14-1.

Fig.34. STARTING MOTOR

(A)=4JH3-HTE
(B)=4JH3-DTE
(C)=

(D)=
(E)=
(F)=



No.	Lev.	Parts No.	Description	Q'ty						I	R
				(A)	(B)	(C)	(D)	(E)	(F)		
62	1	123310-77640	SWITCH, BATTERY	1	1						
63	1	22724-800380	SCREW, 8.0X38	2	2						
64	1	124550-77030	COVER, TERMINAL	1	1						
64-1	1	129670-77030 (B=*2007.11)	COVER, TERMINAL		1						N
65	1	123325-77920	TERMINAL	2	2						
66	1	123325-77930	TERMINAL	2	2						
67	1	26756-080002 (A=*2003.07) (B=*2003.07)	NUT, LOCK M8	1	1						W

Remarks

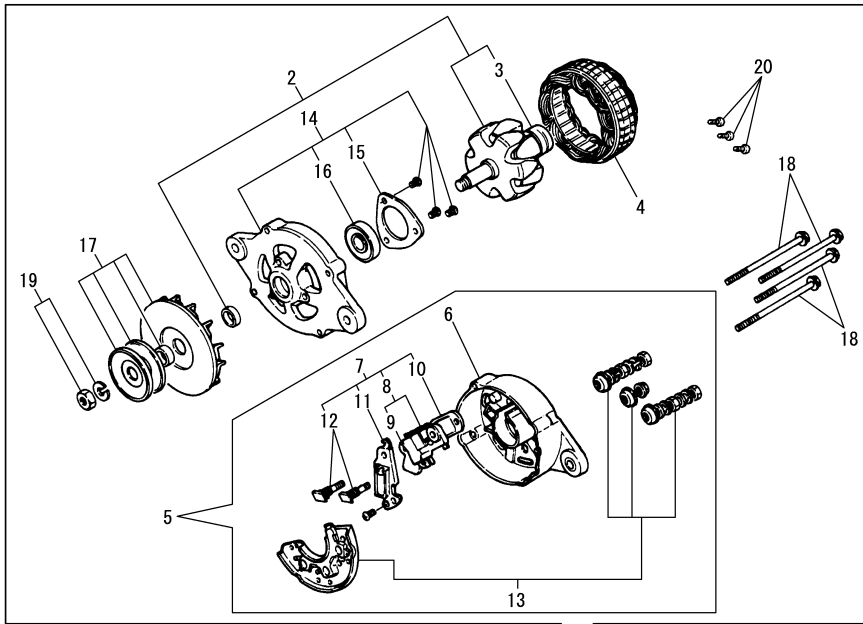
(1)Interchangeable by simultaneous replacement with No.1-1, Fig.38 No.14-1.

N:Old $\xrightarrow{\text{Yes}}$ New, Q:Old $\xrightarrow{\text{No}}$ New, R:Old $\xrightarrow{\text{Yes}}$ New, S:Old $\xrightarrow{\text{No}}$ New, W:Add, Z:Discontinued, F:Interchangeable by set, K:Q'ty Change

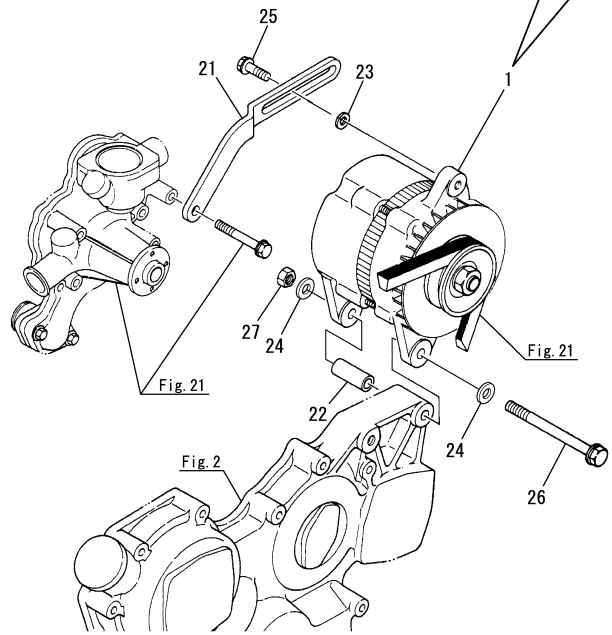
Fig.35. GENERATOR(12V-55A)

(A)=4JH3-HTE
(B)=4JH3-DTE
(C)=

(D)=
(E)=
(F)=



No.	Lev.	Parts No.	Description	Q'ty						I	R
				(A)	(B)	(C)	(D)	(E)	(F)		
1	1	129772-77200	GENERATOR(12V-55A)	1	1						
1-1	1	128271-77200	GENERATOR, 12V-60A	1	1						R 1
		(A=*2001.09) (B=*2001.09)									
2	2	XL15571001	ROTOR ASSY	1	1						
3	3	124080-77490	BALL BEARING	1	1						
4	2	XL15542001	STATOR ASSY	1	1						
5	2	XL155G6300	COVER ASSY, REAR	1	1						
6	3	XL22553012	COVER, REAR	1	1						
7	3	XL155G1315	REGULATOR ASSY,BRUSH	1	1						
8	4	XL2255330	BRUSH ASSY	1	1						
9	5	XL12013262	BRUSH	2	2						
10	4	XTR1Z63	REGULATOR	1	1						
11	4	XL2554318	CONDENSER ASSY	1	1						
12	4	XL13513134	BOLT M5	2	2						
13	3	XL2253320	DIODE ASSY	1	1						
14	2	XL2253400	FRONT COVER ASSY	1	1						
15	3	XL15014042	BEARING RETAINER	1	1						
16	3	X6203BM	BALL BEARING	1	1						
17	2	XL225G6500	PULLEY ASSY	1	1						
18	2	XL15018015	BOLT, THROUGH	4	4						
19	2	XL1501810	NUT ASSY, PULLEY	1	1						
20	2	XL15028001	SCREW ASSY	1	1						
21	1	129470-77330	ADJUSTER, BELT	1	1						
22	1	129470-77340	PIECE, DISTANCE	1	1						
23	1	22137-080000	WASHER, 8	1	1						
24	1	22137-100000	WASHER, 10	2	2						
25	1	26106-080252	BOLT, M8X 25 PLATED	1	1						
26	1	26116-101202	BOLT, M10X120 PLATED	1	1						
27	1	26716-100002	NUT, M10	1	1						



Remarks

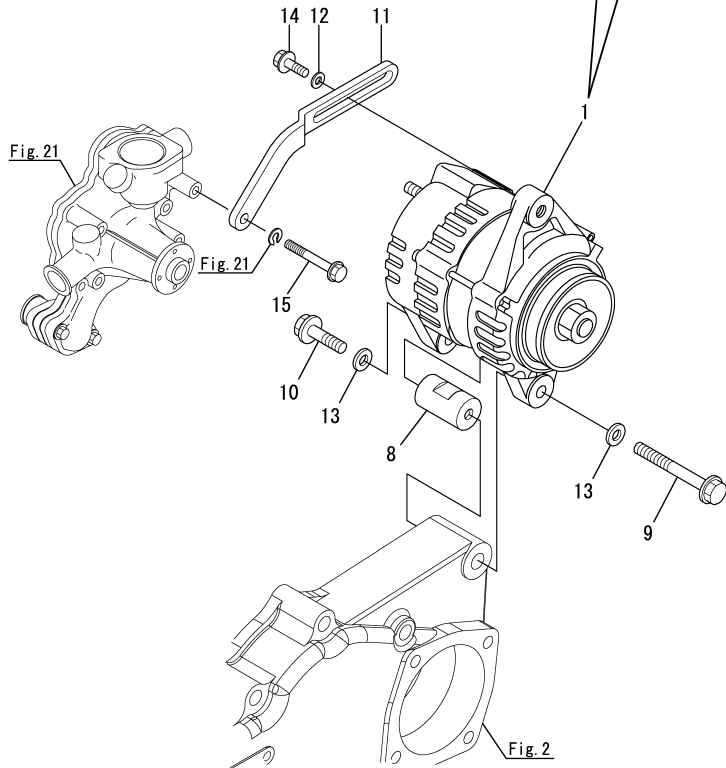
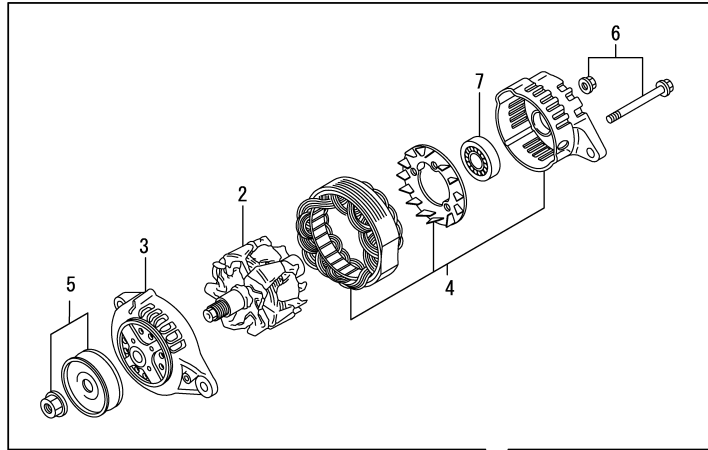
(1) Inner parts are shown in Fig.58.

N:Old $\begin{matrix} \leftarrow \text{Yes} \\ \text{No} \end{matrix}$ New, Q:Old $\begin{matrix} \leftarrow \text{No} \\ \text{Yes} \end{matrix}$ New, R:Old $\begin{matrix} \leftarrow \text{Yes} \\ \text{Yes} \end{matrix}$ New, S:Old $\begin{matrix} \leftarrow \text{No} \\ \text{No} \end{matrix}$ New, W:Add, Z:Discontinued, F:Interchangeable by set, K:Q'ty Change

Fig.58. (35A)GENERATOR(12V-60A)(OPTIONAL)

(A)=4JH3-HTE
(B)=4JH3-DTE
(C)=

(D)=
(E)=
(F)=

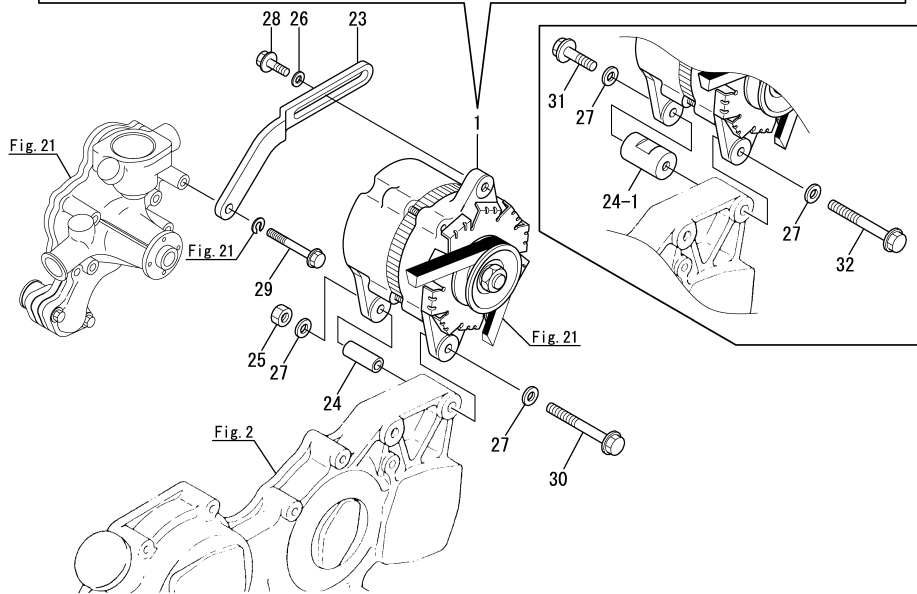
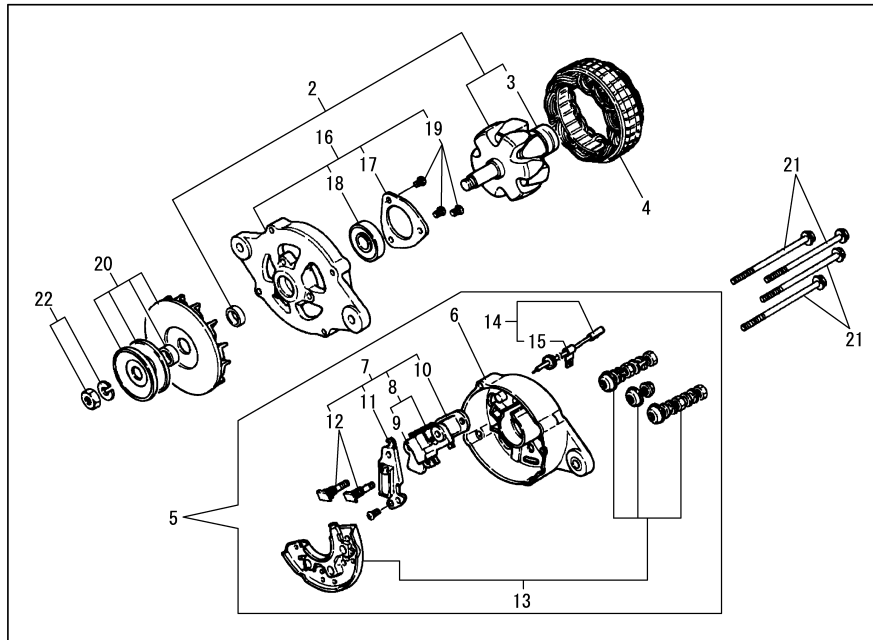


No.	Lev.	Parts No.	Description	Q'ty						I	R
				(A)	(B)	(C)	(D)	(E)	(F)		
1	1	128271-77200 (A=*2001.09) (B=*2001.09)	GENERATOR, 12V-60A	1	1						W
1-1	1	128271-77200 (B=*2010.09)	GENERATOR, 12V-60A		1						Z
2	2	123900-77700	ROTOR ASSY	1	1						
3	2	123900-77730	BRACKET ASSY	1	1						
4	2	128271-77730	BRACKET(STATOR+REGUL)	1	1						
5	2	128271-77740	PULLEY	1	1						
6	2	128271-77750	SCREW KIT	1	1						
7	2	129900-77810	BEARING, BALL	1	1						
8	1	129670-77350	PIECE	1	1						
9	1	129670-77370	BOLT 10X 70	1	1						
10	1	129670-77380	BOLT 10X 30	1	1						
11	1	129670-77430	ADJUSTER	1	1						
12	1	22137-080000	WASHER, 8	1	1						
13	1	22137-100000	WASHER, 10	2	2						
14	1	26106-080252	BOLT, M8X 25 PLATED	1	1						
15	1	26106-080652	BOLT, M8X 65 PLATED	1	1						

Fig.36. GENERATOR(12V-80A)(HITACHI)(TO JAN. 2013)

(A)=4JH3-HTE
(B)=4JH3-DTE
(C)=

(D)=
(E)=
(F)=



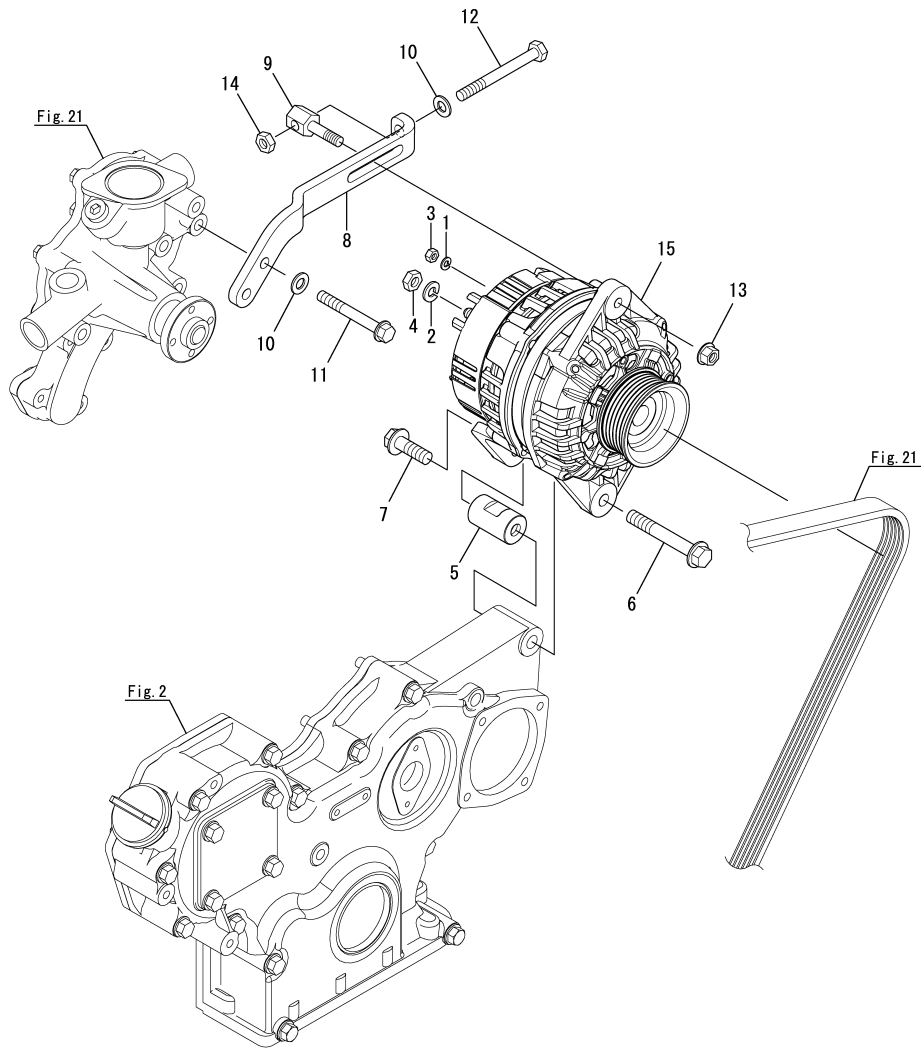
No.	Lev.	Parts No.	Description	Qty						I	R
				(A)	(B)	(C)	(D)	(E)	(F)		
1	1	119573-77201	ALTERNATER(12V-80A	1	1						
1-1	1	119573-77201 (B=E35417)	ALTERNATER(12V-80A		1						Z
2	2	XL180G61000	ROTOR ASSY	1	1						
3	3	119129-77320	BEARING, BALL	1	1						
4	2	XL180120000	STATOR ASSY	1	1						
5	2	XL180G63006	COVER ASSY, REAR	1	1						
6	3	XL180G13012	COVER, REAR	1	1						
7	3	XL180G43150	BRUSH ASSY,REGULATOR	1	1						
8	4	XL155G1330	BRUSH ASSY	1	1						
9	5	XL225G1325	BRUSH SET	2	2						
10	4	124080-77390	REGULATOR ASSY	1	1						
11	4	XL225431800	CONDENSER ASSY	1	1						
12	4	124080-77520	BOLT M5	2	2						
13	3	XL180832000	DIODE ASSY	1	1						
14	3	119129-77250	WIRE, LEAD	1	1						
15	4	119129-77260	CLAMP	1	1						
16	2	XL235340110	COVER ASSY, FRONT	1	1						
17	3	XL150M14041	RETAINER	1	1						
18	3	X6303BM0000	BEARING, BALL	1	1						
19	3	119129-77930	SCREW KIT	1	1						
20	2	XL180G85001	PULLEY ASSY	1	1						
21	2	119129-77890	BOLT, THROUGH	4	4						
22	2	119129-77900	NUT ASSY, PULLEY	1	1						
23	1	129470-77330	ADJUSTER, BELT	1	1						
23-1	1	129670-77430 (A=E20426) (B=E30435)	ADJUSTER	1	1						R
24	1	129470-77340	PIECE, DISTANCE	1	1						
24-1	1	129670-77340 (A=E20426) (B=E30435)	PIECE, DISTANCE	1	1						S
24-2	1	129670-77350 (A=*2004.04) (B=*2004.04)	PIECE	1	1						R
25	1	26716-100002 (A=E20426) (B=E30435)	NUT, M10	1	1						Z
26	1	22137-080000	WASHER, 8	1	1						
27	1	22137-100000	WASHER, 10	2	2						
28	1	26106-080252	BOLT, M8X 25 PLATED	1	1						
29	1	26106-080652	BOLT, M8X 65 PLATED	1	1						
30	1	26116-101202	BOLT, M10X120 PLATED	1	1						Z
31	1	26106-100302 (A=E20426) (B=E30435)	BOLT, M10X 30 PLATED	1	1						W
31-1	1	129670-77380 (A=*2007.11) (B=*2007.11)	BOLT 10X 30	1	1						R
32	1	26106-100752 (A=E20426) (B=E30435)	BOLT, M10X 75 PLATED	1	1						W
32-1	1	129670-77370 (A=*2007.11) (B=*2007.11)	BOLT 10X 70	1	1						R

Remarks

* This item is applicable to [(B)=E35416] or previous machines(Refer to Fig.55)

N:Old $\xrightarrow{\text{Yes}}$ New, Q:Old $\xrightarrow{\text{No}}$ New, R:Old $\xrightarrow{\text{Yes}}$ New, S:Old $\xrightarrow{\text{No}}$ New, W:Add, Z:Discontinued, F:Interchangeable by set, K:Qty Change

Fig.55. (36A)GENERATOR(12V-120A)(VALEO)(FROM FEB. 2013)



(A)=4JH3-HTE
(B)=4JH3-DTE
(C)=

(D)=
(E)=
(F)=

No.	Lev.	Parts No.	Description	Q'ty						I	R
				(A)	(B)	(C)	(D)	(E)	(F)		
1	1	22217-050000	WASHER, SPRING 5		2						
2	1	22217-080000	WASHER, SPRING 8		1						
3	1	26716-050002	NUT, M5		2						
4	1	26756-080002	NUT, LOCK M8		1						
5	1	129670-77350	PIECE		1						
6	1	129670-77370	BOLT 10X 70		1						
7	1	129670-77380	BOLT 10X 30		1						
8	1	129271-77631	ADJUSTER, BELT		1						
9	1	129271-77641	BOLT,ADJUSTER		1						
10	1	22137-080000	WASHER, 8		2						
11	1	26106-080652	BOLT, M8X 65 PLATED		1						
12	1	26116-080804	BOLT, M8X 80 PLATED		1						
13	1	26366-080002	NUT, M8		1						
14	1	26716-080002	NUT, M8		1						
15	1	128990-77250	ALTERNATOR,12V-120A		1						W

(B=E35417)

Remarks

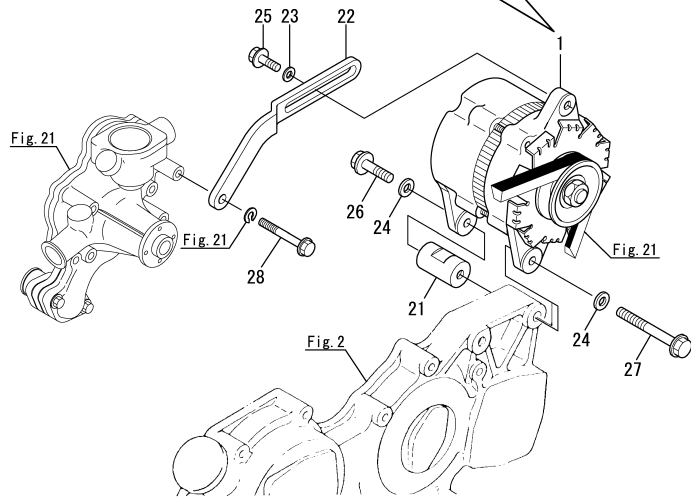
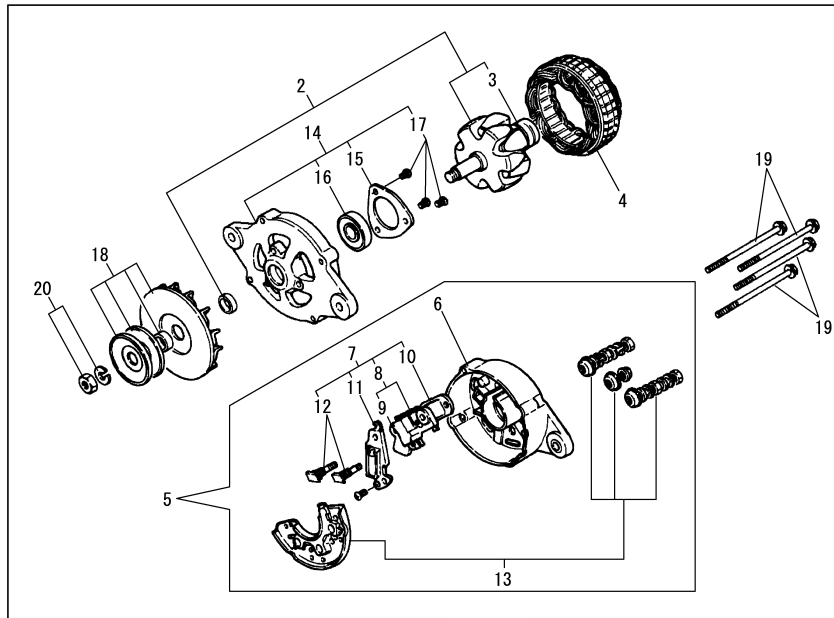
* This item is applicable to [(B)=E35417] or following machines(Refer to Fig.36)

N:Old $\xrightarrow{\text{Yes}}$ New, Q:Old $\xrightarrow{\text{No}}$ New, R:Old $\xrightarrow{\text{Yes}}$ New, S:Old $\xrightarrow{\text{No}}$ New, W:Add, Z:Discontinued, F:Interchangeable by set, K:Q'ty Change

Fig.37. GENERATOR(12V-80A)

(A)=4JH3-HTE
(B)=4JH3-DTE
(C)=

(D)=
(E)=
(F)=



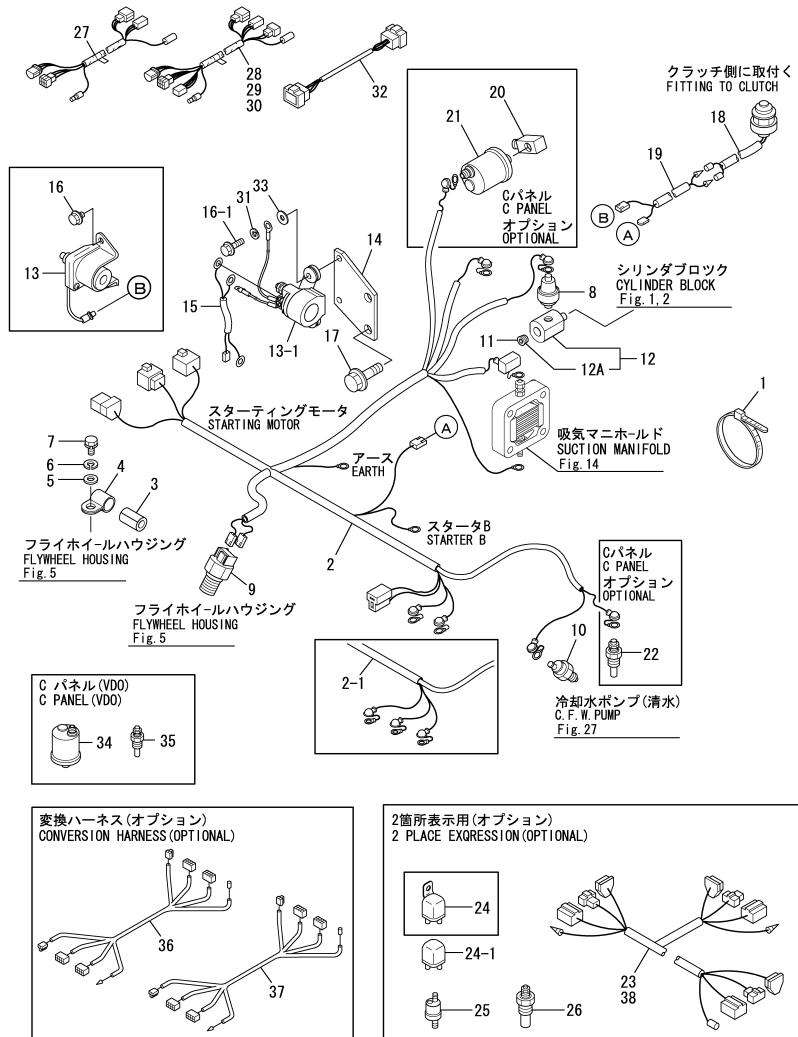
No.	Lev.	Parts No.	Description	Q'ty						I	R	
				(A)	(B)	(C)	(D)	(E)	(F)			
1	1	119573-77200 (A=E20426) (B=E30435)	GENERATOR (12V-80A)	1	1						W	M
1-1	1	119573-77200 (A=FROM 1ST) (B=FROM 1ST)	GENERATOR (12V-80A)	1	1						Z	1
2	2	XL1805100	ROTOR ASY	1	1							
3	3	X6201NC	BALL BEARING	1	1							
4	2	XL1801200	STATOR ASY	1	1							
5	2	XL1809300	COVER ASSY, REAR	1	1							
6	3	XL1805301	COVER, REAR	1	1							
7	3	XL1556315	REGULATOR ASSY,BRUSH	1	1							
8	4	XL2255320	DIODE L225-5320	1	1							
9	5	XL1801335	BRUSH	2	2							
10	4	XTR1Z63	REGULATOR	1	1							
11	4	XL2251318	CONDENCER ASSY	1	1							
12	4	119129-77940	BOLT(M5)	2	2							
13	3	XL1808320	DIODE ASY	1	1							
14	2	XL23534011	COVER ASSY, FRONT	1	1							
15	3	XL150M14041	RETAINER	1	1							
16	3	X6303BM	BALL BEARING 6303B	1	1							
17	3	XL15028001	SCREW ASSY	1	1							
18	2	XL1805500	PULLEY ASSY	1	1							
19	2	XL18018015	THROUGH BOLT	4	4							
20	2	XL1501810	NUT ASSY, PULLEY	1	1							
21	1	129670-77340	PIECE, DISTANCE	1	1							
22	1	129670-77430	ADJUSTER	1	1							
23	1	22137-080000	WASHER, 8	1	1							
24	1	22137-100000	WASHER, 10	2	2							
25	1	26106-080252	BOLT, M8X 25 PLATED	1	1							
26	1	26106-100302	BOLT, M10X 30 PLATED	1	1							
27	1	26106-100752	BOLT, M10X 75 PLATED	1	1							
28	1	26106-080652	BOLT, M8X 65 PLATED	1	1							

Remarks

(M)Misprint.

(1)This figuer is discontinued. HITACHI generator 12V-80A spec, please refer to Fig.36.

Fig.38. WIRE HARNESS & SENSOR



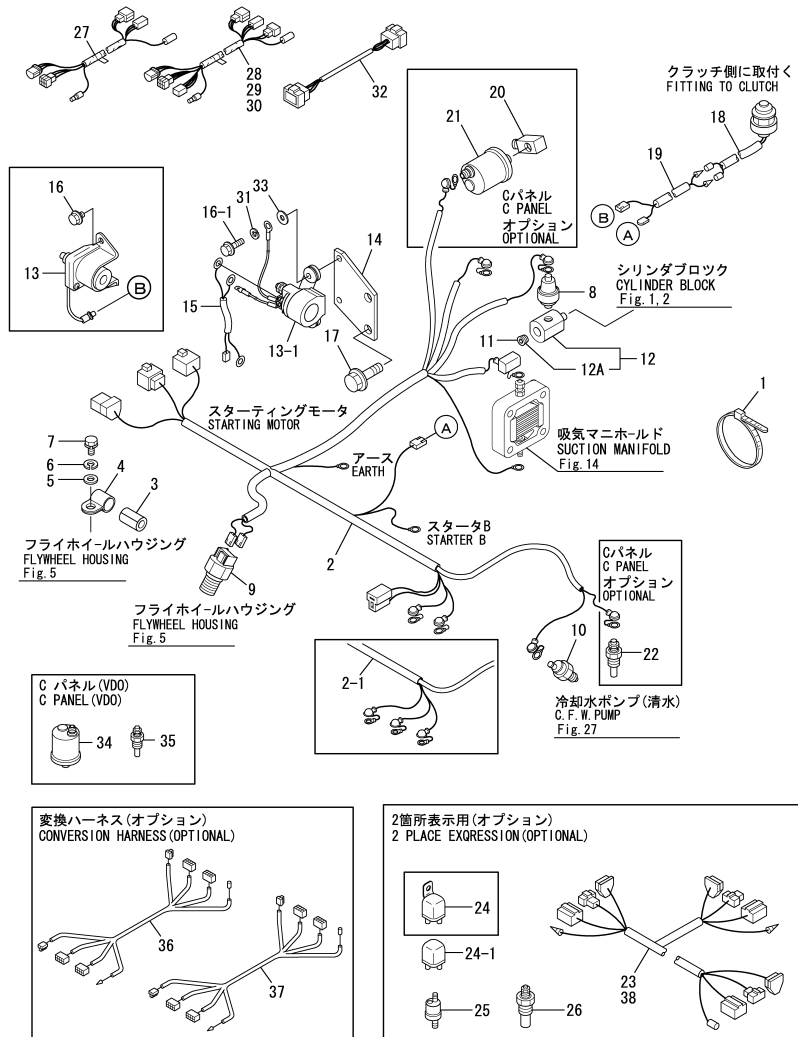
(A)=4JH3-HTE
(B)=4JH3-DTE
(C)=

(D)=
(E)=
(F)=

No.	Lev.	Parts No.	Description	Q'ty						I	R
				(A)	(B)	(C)	(D)	(E)	(F)		
1	1	194250-51660	BAND, NYLON	1	1						
1-1	1	29622-250001	BAND, RF250	1	1						R
		(A=*2012.03)	(B=*2012.03)								
1-2	1	128990-59890	BAND,200 (B=E35417)		1						S
2	1	129574-77911	HARNESS, WIRE	1	1						3
2-1	1	129673-77910	HARNESS,WIRE ENGINE (B=E35417)		1						S 4
3	1	124770-77940	PROTECTOR	1	1						
3-1	1	129670-77940	PROTECTOR (A=*2008.02) (B=*2008.02)	1	1						R
4	1	124070-77950	CLAMP	1	1						
4-1	1	23297-180081	CLAMP, A18X 8 (A=*2007.11) (B=*2007.11)	1	1						N
4-2	1	129672-77950	RETAINER (A=*2010.12) (B=*2010.12)	1	1						N
5	1	22137-080000	WASHER, 8	1	1						
6	1	22217-080000	WASHER, SPRING 8	1	1						
7	1	26106-080162	BOLT, M8X 16 PLATED	1	1						
7-1	1	26106-080202	BOLT, M8X 20 PLATED (B=E35417)		1						S
8	1	124060-39451	SWITCH, 0.2KG	1	1						
8-1	1	124060-39452	SWITCH, 0.2KG (A=E20607) (B=E30529)	1	1						N
8-2	1	121252-39450	SWITCH, 0.5KG (A=*2007.06) (B=*2007.06)	1	1						N
9	1	128170-91160	SENSOR	1	1						
10	1	120130-91370	SWITCH, 100	1	1						
11	1	23876-010000	PLUG, R01	1	1						
12	1	43580-500680	DAMPER ASSY, PT1/8	1	1						
12-1	1	129670-39600	DAMPER ASSY, R1/8 (A=*2003.04) (B=*2003.04)	1	1						N
12A	2	23875-010000	PLUG, R01 (A=*2003.04) (B=*2003.04)	1	1						W
13	1	129490-77910	RELAY, STARTER	1	1						
13-1	1	119575-77510	RELAY, STARTER (A=*2004.06) (B=*2004.06)	1	1						F 2
13-2	1	119575-77511	RELAY, STARTER (A=*2008.06) (B=*2008.06)	1	1						N
14	1	129573-77951	BRACKET	1	1						
14-1	1	129573-77952	BRACKET (A=*2007.01) (B=*2007.01)	1	1						S
14-2	1	129673-77950	BRACKET (A=*2006.07) (B=*2006.07)	1	1						R
15	1	129573-77960	HARNESS, WIRE	1	1						
15-1	1	129673-77960	HARNESS, WIRE (A=*2005.05) (B=*2005.05)	1	1						R
16	1	26106-060082	BOLT, M6X 8 PLATED	2	2						
16-1	1	26106-060202	BOLT, M6X 20 PLATED (A=*2004.06) (B=*2004.06)	2	2						F 2
16-2	1	26106-060162	BOLT, M6X 16 PLATED	2	2						N

- Remarks
 (1)KMH4A
 (2)Interchangeable by simultaneous replacement with No.13-1, 16-1, 33.
 (3)YAZAKI.
 (4)DEUTSCH (Valeo generator spec).
 (5)For MEDALLION panel (Conversion from VDO panel).
 (6)For VDO panel (Conversion to the Valeo generator).
 (7)Valeo generator spec.
 (8)For VDO panel.
 (8)For MEDALLION panel.

Fig.38. WIRE HARNESS & SENSOR



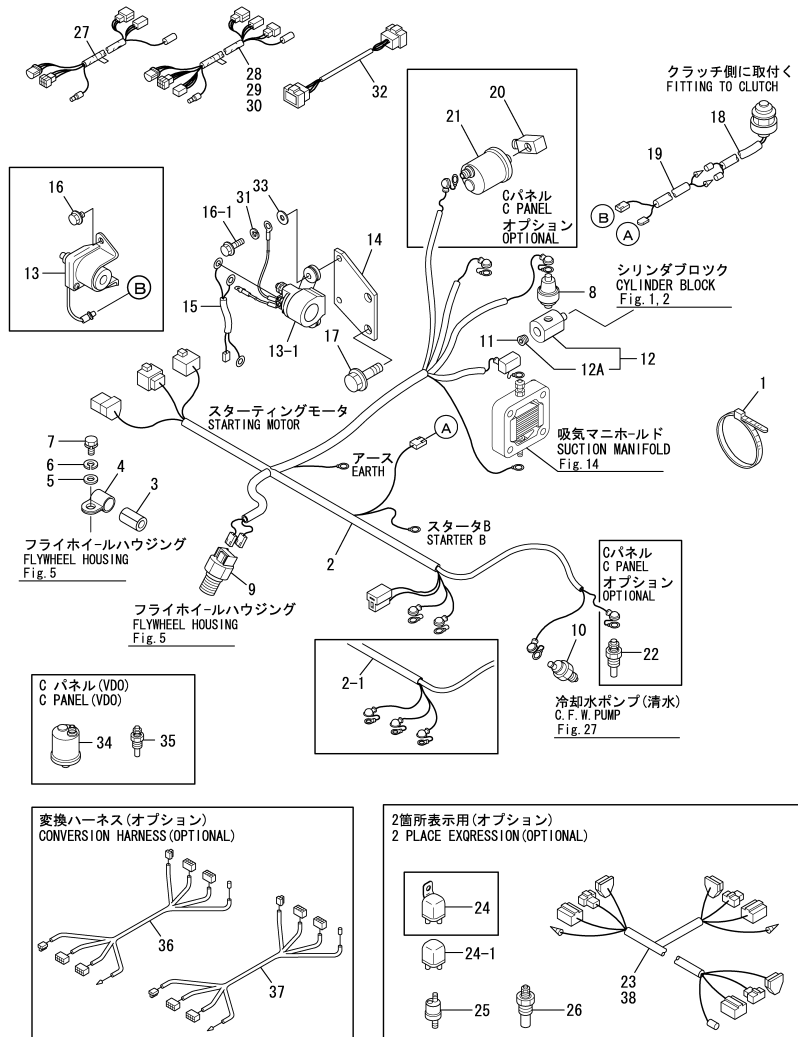
(A)=4JH3-HTE
(B)=4JH3-DTE
(C)=

(D)=
(E)=
(F)=

No.	Lev.	Parts No.	Description	Q'ty						I	R
				(A)	(B)	(C)	(D)	(E)	(F)		
		(A=*2005.05) (B=*2005.05)									
17	1	26106-100162	BOLT, M10X 16 PLATED	2	2						
18	1	120270-77101	SWITCH, SAFETY	1	1						
18-1	1	120270-77102	SWITCH, SAFETY	1	1						N
		(A=*2007.08) (B=*2007.08)									
19	1	129570-77960	HARNESS, WIRE	1	1						
19A	1	177074-06350	HARNESS, WIRE	1	1						1
20	1	123482-39670	DAMPER CMP	1	1						
20-1	1	129671-39600	DAMPER, 1/8	1	1						N
		(A=*2004.11) (B=*2004.11)									
21	1	144626-91560	SENSOR	1	1						
21-1	1	119773-91500	SENDER	1	1						N
		(A=*1997.07) (B=*1997.07)									
21-2	1	119773-91501	SENSOR	1	1						N
		(A=E20929) (B=E30857)									
22	1	144626-91570	SENDER UNIT	1	1						
23	1	129574-77980	HARNESS, WIRE	1	1						
24	1	124617-91850	RELAY	1	1						
24-1	1	119773-91850	RELAY	1	1						R
		(A=E20607) (B=E30529)									
25	1	129574-91560	SENSOR	1	1						
25-1	1	129574-91561	SENSOR	1	1						R
		(A=E21397) (B=E31309)									
26	1	129574-91570	SENSOR	1	1						
27	1	128391-77720	HARNESS, WIRE	1	1						
27-1	1	164100-22720	HARNESS, WIRE 4M		1						S 7
		(B=E35417)									
28	1	129574-77710	HARNESS, WIRE 4M	1	1						
28-1	1	164100-22730	HARNESS, WIRE 6M		1						S 7
		(B=E35417)									
29	1	129574-77720	HARNESS, WIRE 6M	1	1						
29-1	1	164100-22830	HARNESS, EXT 6M		1						S 7
		(B=E35417)									
30	1	129574-77740	HARNESS, WIRE 10M	1	1						
30-1	1	164100-22740	HARNESS, WIRE 10M		1						S 7
		(B=E35417)									
31	1	22217-060000	WASHER, SPRING 6	2	2						
32	1	129670-77990	ADAPTER	1	1						W
		(A=E21756) (B=E31449)									
33	1	183350-55130	WASHER	2	2						W 2
		(A=*2004.06) (B=*2004.06)									
33-1	1	128990-77510	WASHER	2	2						R
		(A=*2006.09) (B=*2006.09)									
34	1	119773-91650	SENSOR	1	1						W
		(A=*2003.08) (B=*2003.08)									
35	1	119773-91700	SENDER	1	1						W
		(A=*2003.08) (B=*2003.08)									
36	1	164100-23900	HARNESS, CONV YD		1						W 5
		(B=*2011.11)									
36-1	1	164100-23900	HARNESS, CONV YD		1						Z 5
		(B=E35417)									

- Remarks
 (1)KMH4A
 (2)Interchangeable by simultaneous replacement with No.13-1, 16-1, 33.
 (3)YAZAKI.
 (4)DEUTSCH (Valeo generator spec).
 (5)For MEDALLION panel (Conversion from VDO panel).
 (6)For VDO panel (Conversion to the Valeo generator).
 (7)Valeo generator spec.
 (8)For VDO panel.
 (8)For MEDALLION panel.

Fig.38. WIRE HARNESS & SENSOR



(A)=4JH3-HTE
(B)=4JH3-DTE
(C)=

(D)=
(E)=
(F)=

No.	Lev.	Parts No.	Description	Q'ty						I	R	
				(A)	(B)	(C)	(D)	(E)	(F)			
37	1	164100-23910 (B=E35417)	HARNESS, CONV		1						W	6
38	1	164100-23700 (B=*2013.05)	HARNESS, DUAL PANEL		1						W	9

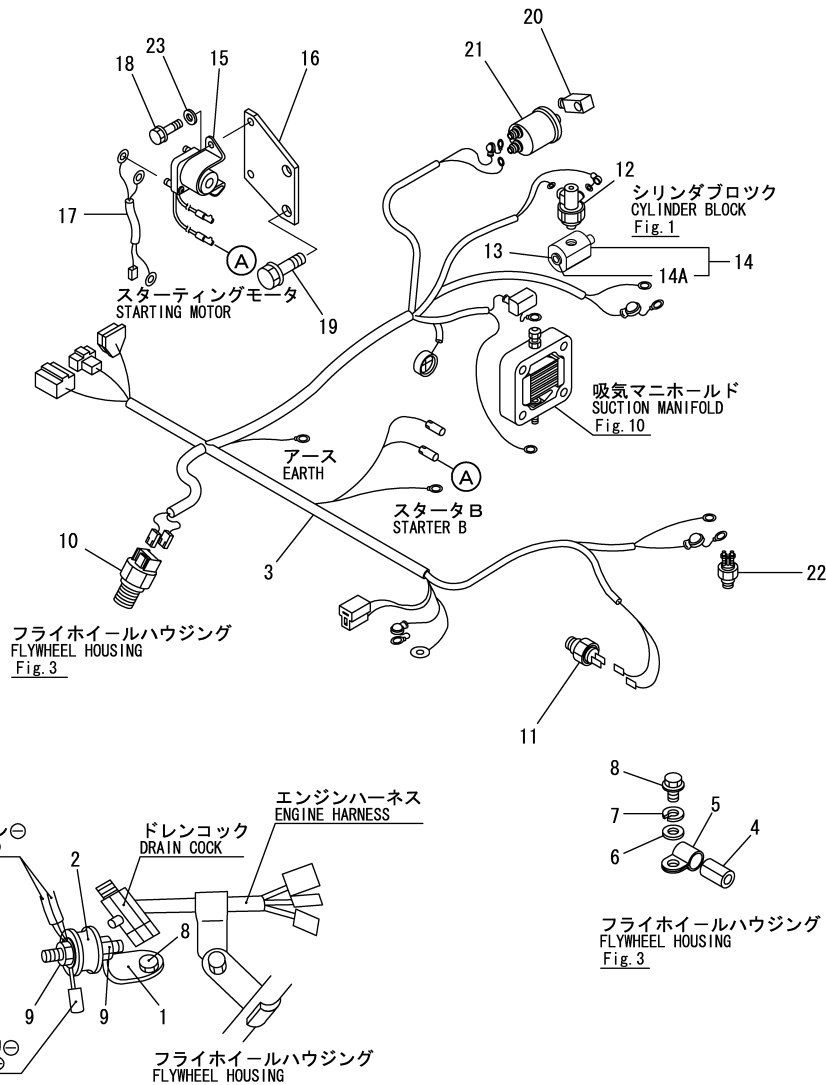
Remarks

- (1)KMH4A
- (2)Interchangeable by simultaneous replacement with No.13-1, 16-1, 33.
- (3)YAZAKI.
- (4)DEUTSCH (Valeo generator spec).
- (5)For MEDALLION panel (Conversion from VDO panel).
- (6)For VDO panel (Conversion to the Valeo generator).
- (7)Valeo generator spec.
- (8)For VDO panel.
- (8)For MEDALLION panel.

Fig.39. WIRE HARNESS(EARTH FLOAT TYPE)

(A)=4JH3-HTE
(B)=4JH3-DTE
(C)=

(D)=
(E)=
(F)=

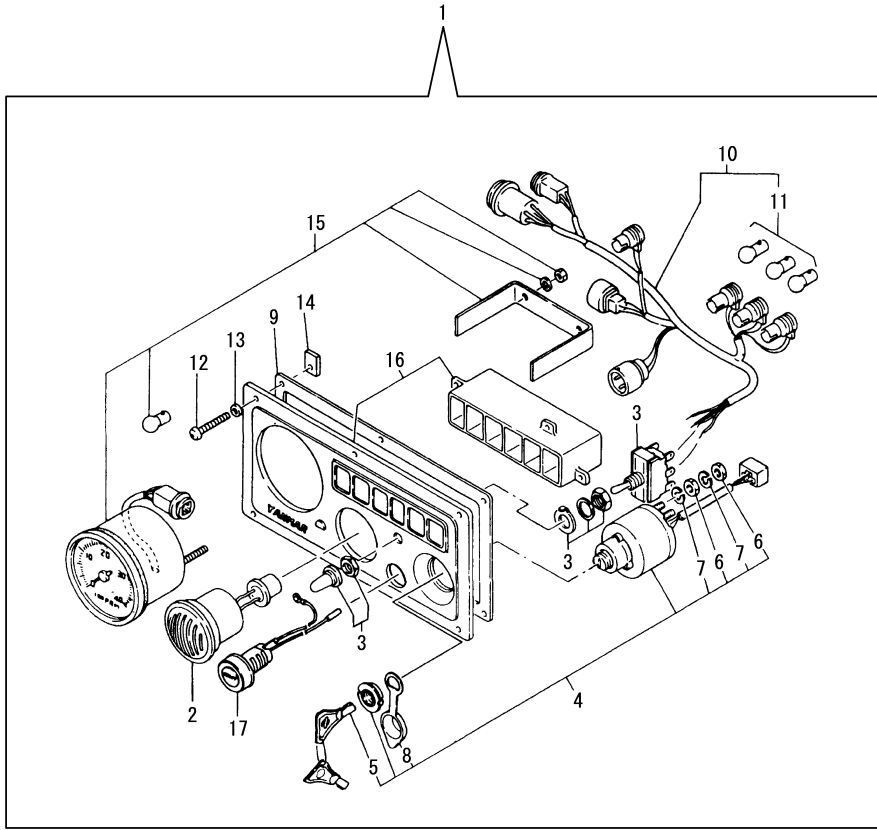


No.	Lev.	Parts No.	Description	Q'ty						I	R
				(A)	(B)	(C)	(D)	(E)	(F)		
1	1	129590-59200	RETAINER, PIPE	1	1						
2	1	194555-62750	RUBBER, ABSORBER	1	1						
3	1	129574-77820	HARNESS, WIRE	1	1						
4	1	124770-77940	PROTECTOR	1	1						
5	1	124070-77950	CLAMP	1	1						
5-1	1	23297-180081	CLAMP, A18X 8	1	1						N
5-2		(A=*2007.11) (B=*2007.11) 129672-77950	RETAINER	1	1						N
		(A=*2010.12) (B=*2010.12)									
6	1	22137-080000	WASHER, 8	1	1						
7	1	22217-080000	WASHER, SPRING 8	1	1						
8	1	26106-080142	BOLT, M8X 14 PLATED	2	2						
9	1	26716-080002	NUT, M8	2	2						
10	1	128170-91160	SENSOR	1	1						
11	1	129570-91320	SWITCH, 100	1	1						
12	1	126630-91591	SWITCH,OIL PRESSURE	1	1						
13	1	23876-010000	PLUG, R01	1	1						Z
		(A=*2003.04) (B=*2003.04)									
14	1	43580-500680	DAMPER ASSY, PT1/8	1	1						
14-1	1	129670-39600	DAMPER ASSY, R1/8	1	1						N
		(A=*2003.04) (B=*2003.04)									
14A	2	23875-010000	PLUG, R01	1	1						W
		(A=*2003.04) (B=*2003.04)									
15	1	129570-77920	RELAY, STARTER	1	1						
16	1	129573-77951	BRACKET	1	1						
16-1	1	129673-77950	BRACKET	1	1						R
		(A=*2006.07) (B=*2006.07)									
17	1	129573-77960	HARNESS, WIRE	1	1						
18	1	26106-060082	BOLT, M6X 8 PLATED	2	2						
19	1	26106-100162	BOLT, M10X 16 PLATED	2	2						
20	1	123482-39670	DAMPER CMP	1	1						
20-1	1	129671-39600	DAMPER, 1/8	1	1						N
		(A=*2004.11) (B=*2004.11)									
21	1	126630-91560	SENDER UNIT	1	1						
21-1	1	119773-91520	SENDER UNIT	1	1						R
		(A=E21397) (B=E31309)									
22	1	126630-91570	SENDER UNIT	1	1						
23	1	22217-060000	WASHER, SPRING 6	2	2						

Fig.40. INSTRUMENT PANEL(B-TYPE)

(A)=4JH3-HTE
(B)=4JH3-DTE
(C)=

(D)=
(E)=
(F)=



No.	Lev.	Parts No.	Description	Q'ty						I	R
				(A)	(B)	(C)	(D)	(E)	(F)		
1	1	124411-91190	PANEL ASSY	1	1						
1-1	1	124411-91191	PANEL ASSY, B	1	1						N
		(A=E21461) (B=E31329)									
2	2	104271-91351	BUZZER	1	1						
3	2	128170-91310	SWITCH	1	1						
4	2	127412-91250	SWITCH, KEY	1	1						
5	3	123482-91291	KEY	1	1						
6	3	26716-050002	NUT, M5	10	10						
7	3	22217-050000	WASHER, SPRING 5	10	10						
8	3	127620-91820	COVER	1	1						
9	2	128170-91020	GASKET	1	1						
10	2	128170-91031	HARNESS, WIRE	1	1						
11	3	194151-55820	BULB, 12V3.4W	3	3						
12	2	128170-91810	SCREW, M5X35	6	6						
13	2	128170-91820	WASHER, 5	6	6						
14	2	128170-91830	NUT, M5	6	6						
15	2	128696-91100	TACHOMETER	1	1						
16	2	124411-91010	BODY, PANEL	1	1						
17	2	129470-91190	SWITCH, STOP	1	1						
18	1	129574-77860	HARNESS, WIRE	1	1						Z
		(A=E21461) (B=E31329)									
19	1	127610-77710	HARNESS, WIRE 3.8M	1	1						
20	1	119171-77701	HARNESS, WIRE 6M	1	1						

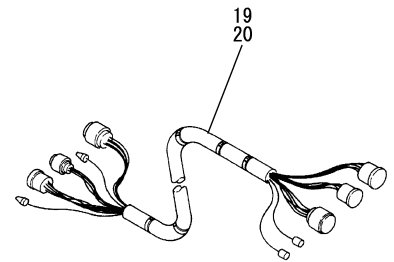
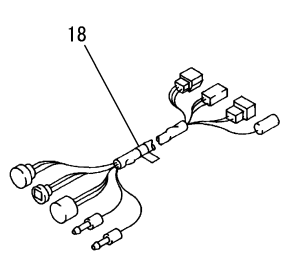
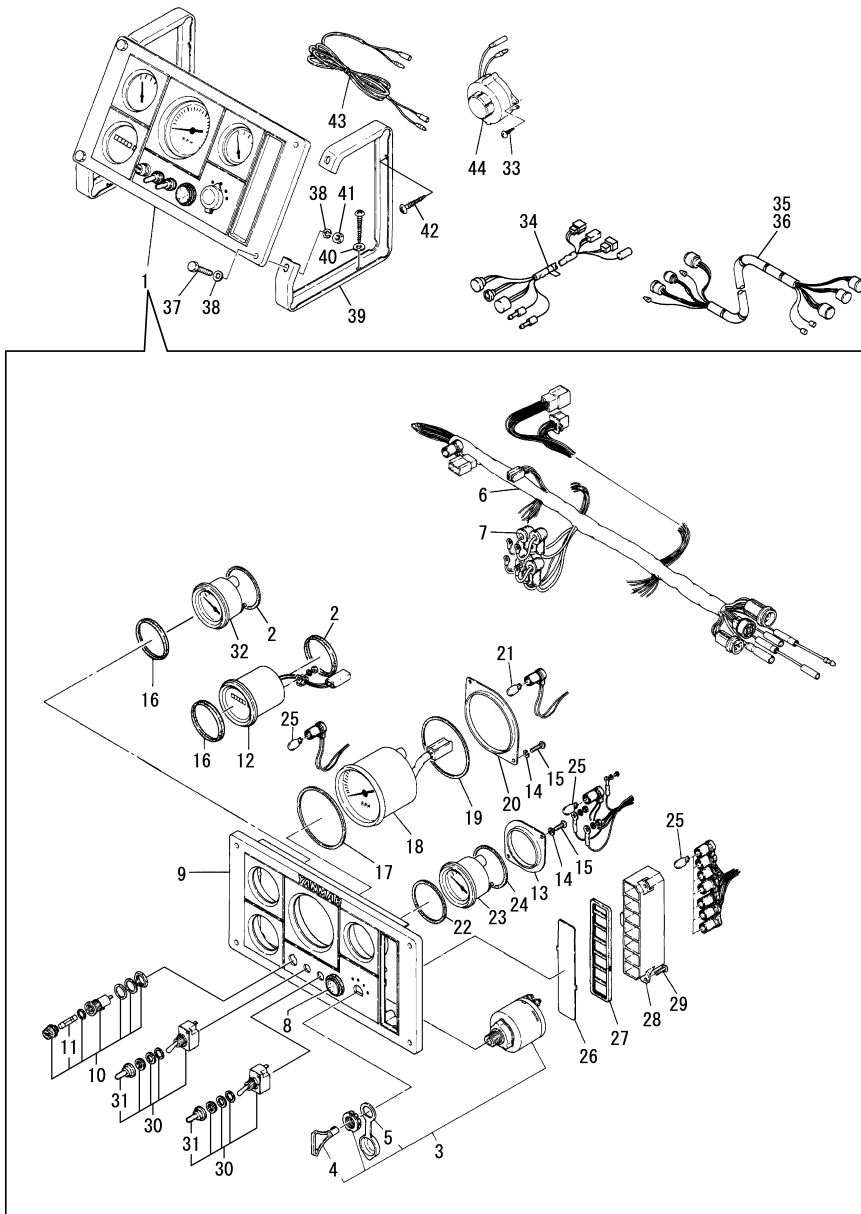


Fig.41. INSTRUMENT PANEL(C-TYPE)(TO JUN. 2001)

(A)=4JH3-HTE
(B)=4JH3-DTE
(C)=

(D)=
(E)=
(F)=



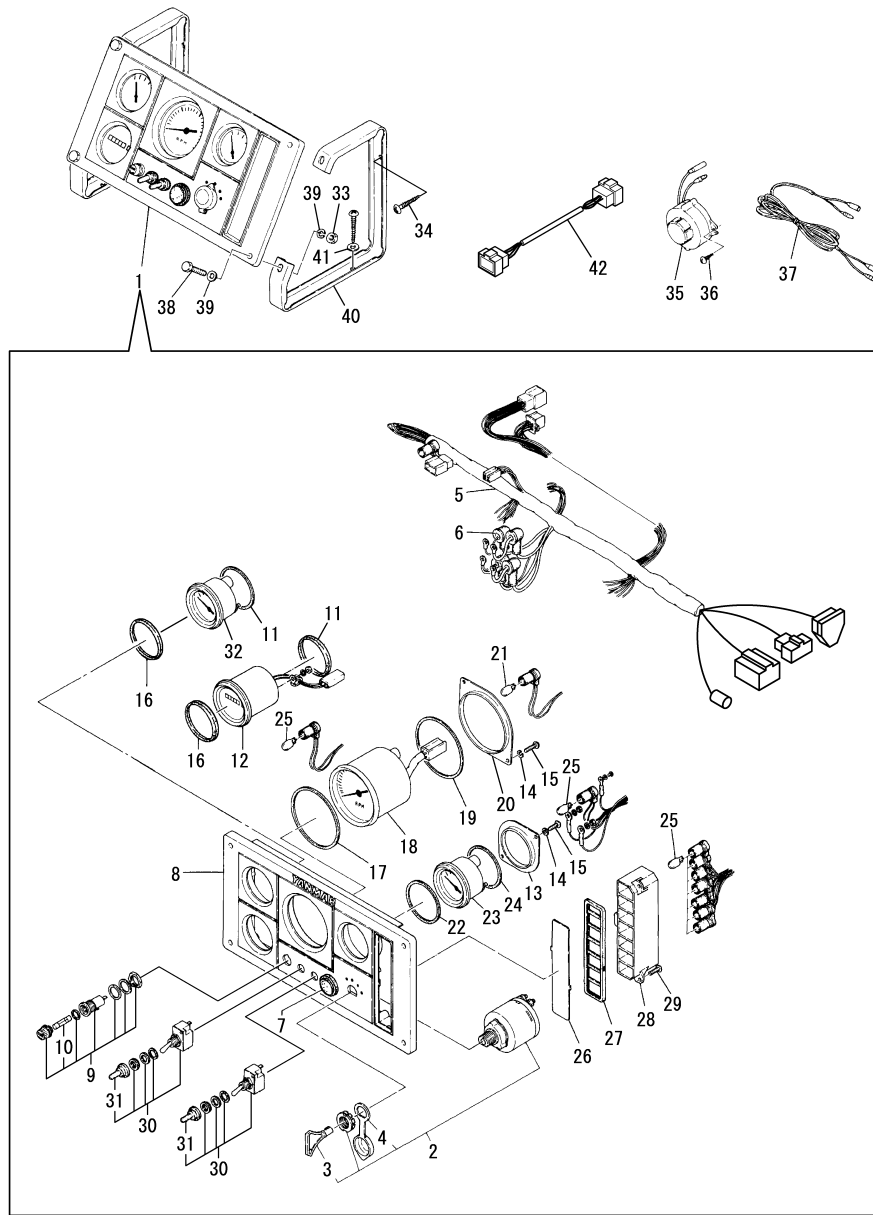
No.	Lev.	Parts No.	Description	(A)	(B)	(C)	(D)	(E)	(F)	Q'ty	I	R
1	1	129470-91100	PANEL ASSY	1	1							
1-1	1	129470-91101	PANEL ASSY, C	1	1							S
		(A=E20449) (B=E30455)										
1-2	1	129470-91101	PANEL ASSY, C	1	1							Z 1
		(A=E21461) (B=E31329)										
2	2	127410-91590	GASKET	2	2							
3	2	121575-91250	SWITCH, KEY	1	1							
4	3	123482-91291	KEY	2	2							
5	3	127620-91820	COVER	1	1							
6	2	129470-91150	HARNESS ASSY, WIRE	1	1							
7	2	127620-91830	CAP, RUBBER	4	4							
8	2	129470-91190	SWITCH, STOP	1	1							
9	2	129470-91180	BODY, PANEL	1	1							
10	2	46150-003610	BOX(WITH OUT FUSE	1	1							
11	3	124617-91990	FUSE	3	3							
12	2	157854-04300	HOURLY METER	1	1							
13	2	127410-91510	BRACKET	3	3							
14	2	127410-91520	WASHER	8	8							
15	2	127410-91530	SCREW	8	8							
16	2	127410-91580	GASKET	2	2							
17	2	127410-91550	GASKET	1	1							
18	2	129470-91170	TACHOMETER	1	1							
19	2	127410-91560	GASKET	1	1							
20	2	127410-91570	BRACKET	1	1							
21	2	124617-91920	BULB, 12V-3W	1	1							
22	2	127410-91580	GASKET	1	1							
23	2	124617-91840	THERMOMETER, WATER	1	1							
24	2	127410-91590	GASKET	1	1							
25	2	124617-91980	BULB, 12V-1.7W	6	6							
26	2	127410-91600	LENS	1	1							
27	2	127410-91610	RETAINER	1	1							
28	2	127410-91620	BODY	1	1							
29	2	127410-91630	SCREW	3	3							
30	2	127620-91790	SWITCH	2	2							
31	3	127620-91780	CAP, RUBBER	2	2							
32	2	129470-91160	GAUGE	1	1							
32-1	2	129470-91161	METER	1	1							S
		(A=E20449) (B=E30455)										
33	1	22717-410160	SCREW, 4.1X16	2	2							
34	1	129574-77860	HARNESS, WIRE	1	1							Z
		(A=E21461) (B=E31329)										
35	1	127610-77710	HARNESS, WIRE 3.8M	1	1							
36	1	119171-77701	HARNESS, WIRE 6M	1	1							
37	1	127620-91500	SCREW	4	4							
38	1	127620-91510	WASHER	8	8							
39	1	127410-91680	BRACKET, PANEL	2	2							
40	1	127620-91560	WASHER	4	4							
41	1	127620-91550	NUT	4	4							
42	1	127620-91570	SCREW	4	4							
43	1	127620-91580	HARNESS, WIRE	1	1							
44	1	124617-91900	BUZZER	1	1							

Remarks

(1)Interchangeability is (N) with Fig.42 No.1.

N:Old $\xrightarrow{\text{Yes}}$ New, Q:Old $\xrightarrow{\text{No}}$ New, R:Old $\xrightarrow{\text{Yes}}$ New, S:Old $\xrightarrow{\text{No}}$ New, W:Add, Z:Discontinued, F:Interchangeable by set, K:Q'ty Change

Fig.42. INSTRUMENT PANEL(C-TYPE)(FROM JUL. 2001)



(A)=4JH3-HTE
(B)=4JH3-DTE
(C)=

(D)=
(E)=
(F)=

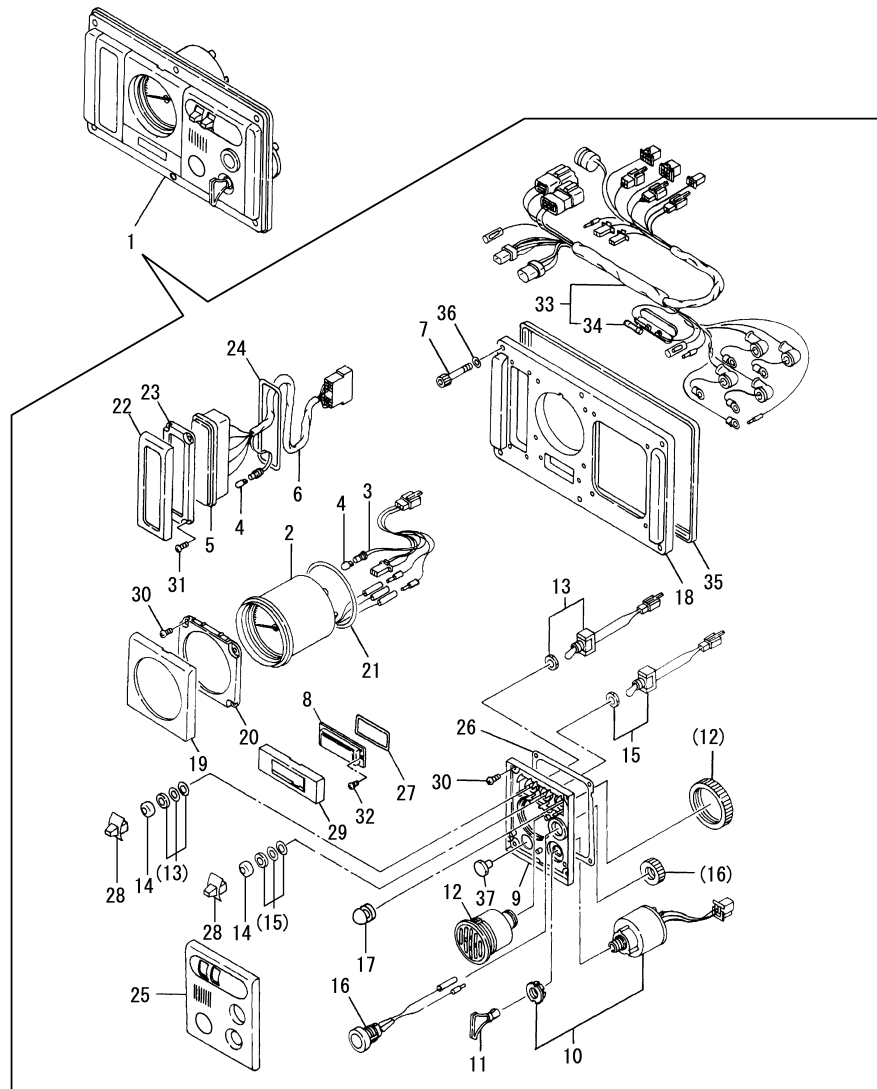
No.	Lev.	Parts No.	Description	Q'ty						I	R
				(A)	(B)	(C)	(D)	(E)	(F)		
1	1	129470-91102 (A=E21461) (B=E31329)	PANEL ASSY, C	1	1						W
1-1	1	129470-91103 (A=E21756) (B=E31449)	PANEL ASSY, C	1	1						F 1
2	2	121575-91250	SWITCH, KEY	1	1						
3	3	123482-91291	KEY	2	2						
4	3	127620-91820	COVER	1	1						
5	2	129171-91880	HARNESS,WIRE	1	1						
5-1	2	X055110236A0	HARNESS,WIRE	1	1						N
6	2	127620-91830	CAP, RUBBER	4	4						
7	2	129470-91190	SWITCH, STOP	1	1						
8	2	129470-91180	BODY, PANEL	1	1						
9	2	46150-003620	FUSE	1	1						
10	3	124617-91990	FUSE	3	3						
11	2	127410-91590	GASKET	2	2						
12	2	157854-04300	HOUR METER	1	1						
13	2	127410-91510	BRACKET	3	3						
14	2	127410-91520	WASHER	8	8						
15	2	127410-91530	SCREW	8	8						
16	2	127410-91580	GASKET	2	2						
17	2	127410-91550	GASKET	1	1						
18	2	129470-91170	TACHOMETER	1	1						
19	2	127410-91560	GASKET	1	1						
20	2	127410-91570	BRACKET	1	1						
21	2	124617-91920	BULB, 12V-3W	1	1						
22	2	127410-91580	GASKET	1	1						
23	2	124617-91840	THERMOMETER, WATER	1	1						
24	2	127410-91590	GASKET	1	1						
25	2	194555-55820	BULB, 12V1.7W	6	6						
26	2	127410-91600	LENS	1	1						
27	2	127410-91610	RETAINER	1	1						
28	2	127410-91620	BODY	1	1						
29	2	127410-91630	SCREW	3	3						
30	2	127687-91790	SWITCH	2	2						
31	3	127620-91780	CAP, RUBBER	2	2						
32	2	129470-91161	METER	1	1						
33	1	127620-91550	NUT	4	4						
34	1	127620-91570	SCREW	4	4						
35	1	124617-91900	BUZZER	1	1						
36	1	22717-410160	SCREW, 4.1X16	1	1						
37	1	127620-91580	HARNESS, WIRE	1	1						
38	1	127620-91500	SCREW	4	4						
39	1	127620-91510	WASHER	8	8						
40	1	127410-91680	BRACKET, PANEL	2	2						
41	1	127620-91560	WASHER	4	4						
42	1	129670-77990	ADAPTER	1	1						W
		(A=E21756) (B=E31449)									

Remarks

(1)Interchangeable by simultaneous replacement with No.42.

N:Old $\xrightarrow{\text{Yes}}$ New, Q:Old $\xrightarrow{\text{No}}$ New, R:Old $\xrightarrow{\text{Yes}}$ New, S:Old $\xrightarrow{\text{No}}$ New, W:Add, Z:Discontinued, F:Interchangeable by set, K:Q'ty Change

Fig.43. NEW PANEL(B-TYPE)

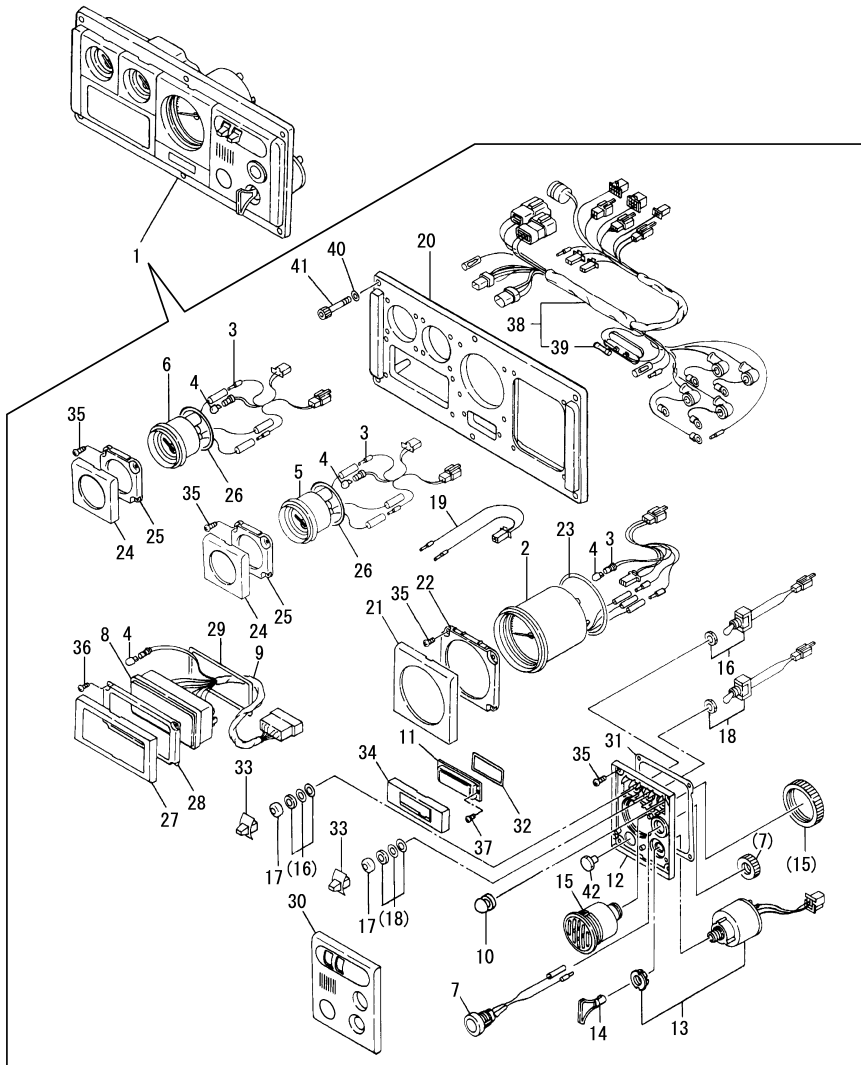


(A)=4JH3-HTE
(B)=4JH3-DTE
(C)=

(D)=
(E)=
(F)=

No.	Lev.	Parts No.	Description	Q'ty						I	R
				(A)	(B)	(C)	(D)	(E)	(F)		
1	1	129574-91130	PANEL, INSTRUMENT	1	1						
2	2	129574-91200	METER KIT	1	1						
3	2	129574-91870	HARNESS, WIRE	1	1						
4	2	124617-91980	BULB, 12V-1.7W	5	5						
5	2	128391-91260	BOX	1	1						
6	2	120130-91860	WIRE	1	1						
7	2	127687-91870	BOLT, M6X35	6	6						
8	2	129170-91650	COVER	1	1						
9	2	129574-91410	BRACKET, SWITCH	1	1						
10	2	121575-91250	SWITCH, KEY	1	1						
11	2	123482-91291	KEY	1	1						
12	2	104271-91352	BUZZER 12V	1	1						
13	2	129170-91800	SWITCH	1	1						
14	2	129574-91780	CAP, RUBBER	2	2						
15	2	129574-91790	SWITCH	1	1						
16	2	129470-91190	SWITCH, STOP	1	1						
17	2	129170-91810	COVER	1	1						
18	2	128391-91930	PANEL	1	1						
19	2	129574-91620	BEZEL	1	1						
20	2	129574-91420	BRACKET	1	1						
21	2	129574-91720	GASKET	1	1						
22	2	128391-91640	BEZEL	1	1						
23	2	128391-91440	PLATE	1	1						
24	2	128391-91740	GASKET	1	1						
25	2	129170-91610	BEZEL	1	1						
26	2	129574-91710	GASKET	1	1						
27	2	129574-91750	GASKET	1	1						
28	2	129574-91770	KNOB	2	2						
29	2	129574-91650	BEZEL	1	1						
30	2	127692-91410	SCREW	8	8						
31	2	127692-91440	SCREW	4	4						
32	2	127692-91450	SCREW	2	2						
33	2	129570-91850	HARNESS, WIRE	1	1						
34	3	124617-91990	FUSE	1	1						
35	2	128391-91700	GASKET	1	1						
36	2	127687-91880	WASHER	6	6						
37	2	129574-91760	COVER	1	1						

Fig.44. NEW PANEL(C-TYPE)(TO DEC. 2000)



(A)=4JH3-HTE
(B)=4JH3-DTE
(C)=

(D)=
(E)=
(F)=

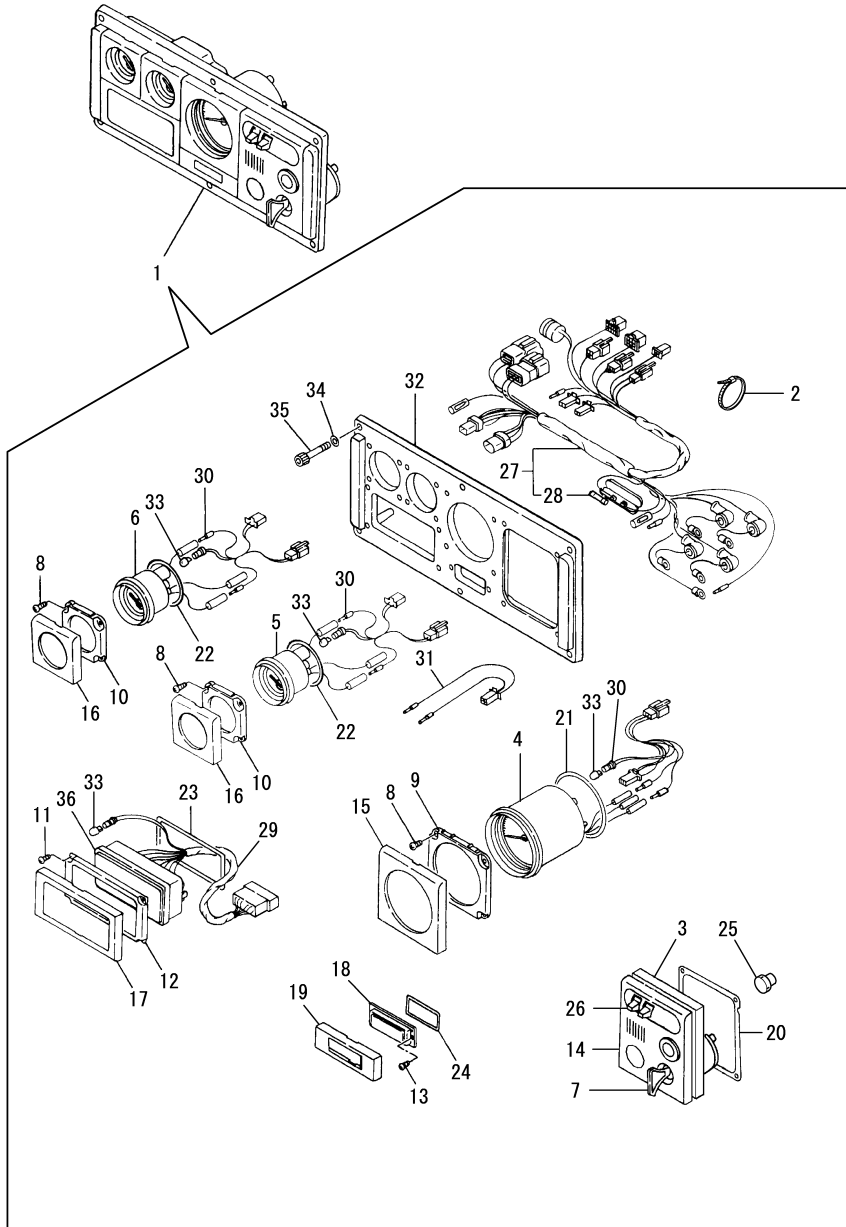
No.	Lev.	Parts No.	Description	Q'ty						I	R
				(A)	(B)	(C)	(D)	(E)	(F)		
1	1	129574-91160	PANEL ASSY, INSTRUM	1	1						
1-1	1	129574-91161	PANEL ASSY, C	1	1						S
		(A=E20449) (B=E30455)									
1-2	1	129574-91161	PANEL ASSY, C	1	1						Z 1
		(A=E21081) (B=E31003)									
2	2	129574-91200	METER KIT	1	1						
3	2	129574-91870	HARNESS, WIRE	3	3						
4	2	124617-91980	BULB, 12V-1.7W	8	8						
5	2	129574-91210	METER	1	1						
6	2	129574-91220	METER	1	1						
6-1	2	129574-91221	METER	1	1						S
		(A=E20449) (B=E30455)									
7	2	129470-91190	SWITCH, STOP	1	1						
8	2	129170-91260	BOX	1	1						
9	2	129170-91860	HARNESS, WIRE	1	1						
10	2	129170-91810	COVER	1	1						
11	2	129170-91650	COVER	1	1						
12	2	129574-91410	BRACKET, SWITCH	1	1						
13	2	121575-91250	SWITCH, KEY	1	1						
14	2	123482-91291	KEY	1	1						
15	2	104271-91352	BUZZER 12V	1	1						
16	2	129170-91800	SWITCH	1	1						
17	2	129574-91780	CAP, RUBBER	2	2						
18	2	129574-91790	SWITCH	1	1						
19	2	129574-91890	HARNESS, WIRE	1	1						
20	2	129170-91930	PANEL	1	1						
21	2	129574-91620	BEZEL	1	1						
22	2	129574-91420	BRACKET	1	1						
23	2	129574-91720	GASKET	1	1						
24	2	129574-91630	BEZEL	2	2						
25	2	129574-91430	BRACKET	2	2						
26	2	129574-91730	GASKET	2	2						
27	2	129574-91640	BEZEL	1	1						
28	2	129574-91440	BRACKET	1	1						
29	2	129574-91740	GASKET	1	1						
30	2	129170-91610	BEZEL	1	1						
31	2	129574-91710	GASKET	1	1						
32	2	129574-91750	GASKET	1	1						
33	2	129574-91770	KNOB	2	2						
34	2	129574-91650	BEZEL	1	1						
35	2	127692-91410	SCREW	16	16						
36	2	127692-91440	SCREW	4	4						
37	2	127692-91450	SCREW	2	2						
38	2	129170-91850	HARNESS, WIRE	1	1						
39	3	124617-91990	FUSE	1	1						
40	2	127687-91880	WASHER	6	6						
41	2	127687-91870	BOLT, M6X35	6	6						
42	2	129574-91760	COVER	1	1						

Remarks

(1)Interchangeability is (N) with Fig.45 No.1.

N:Old $\xrightarrow{\text{Yes}}$ New, Q:Old $\xrightarrow{\text{No}}$ New, R:Old $\xrightarrow{\text{Yes}}$ New, S:Old $\xrightarrow{\text{No}}$ New, W:Add, Z:Discontinued, F:Interchangeable by set, K:Q'ty Change

Fig.45. NEW PANEL(C-TYPE)(FROM JAN. 2001)



(A)=4JH3-HTE
(B)=4JH3-DTE
(C)=

(D)=
(E)=
(F)=

No.	Lev.	Parts No.	Description	Q'ty						I	R
				(A)	(B)	(C)	(D)	(E)	(F)		
1	1	129574-91162 (A=E21081) (B=E31003)	PANEL ASSY, C	1	1						W
2	2	198451-78680	CLAMP, CORD		2	2					
3	2	129470-91191	BOX ASSY	1	1						
4	2	129574-91200	METER KIT	1	1						
5	2	129574-91210	METER	1	1						
6	2	129574-91222	METER	1	1						
7	2	123482-91291	KEY	1	1						
8	2	127692-91410	SCREW	16	16						
9	2	129574-91420	BRACKET	1	1						
10	2	129574-91430	BRACKET	2	2						
11	2	127692-91440	SCREW	4	4						
12	2	129574-91440	BRACKET	1	1						
13	2	127692-91450	SCREW	2	2						
14	2	129170-91610	BEZEL	1	1						
15	2	129574-91620	BEZEL	1	1						
16	2	129574-91630	BEZEL	2	2						
17	2	129574-91640	BEZEL	1	1						
18	2	129170-91650	COVER	1	1						
19	2	129574-91650	BEZEL	1	1						
20	2	129574-91710	GASKET	1	1						
21	2	129574-91720	GASKET	1	1						
22	2	129574-91730	GASKET	2	2						
23	2	129574-91740	GASKET	1	1						
24	2	129574-91750	GASKET	1	1						
25	2	129574-91760	COVER	1	1						
26	2	129574-91770	KNOB	2	2						
27	2	129170-91850	HARNESS, WIRE	1	1						
28	3	124617-91990	FUSE	1	1						
29	2	129170-91860	HARNESS, WIRE	1	1						
30	2	129574-91870	HARNESS, WIRE	1	1						
31	2	129170-91890	HARNESS, WIRE	1	1						
32	2	129170-91930	PANEL	1	1						
33	2	124617-91980	BULB, 12V-1.7W	7	7						
34	2	127687-91880	WASHER	6	6						
35	2	127687-91870	BOLT, M6X35	6	6						
36	2	XYM0234001N	BOX, ALARM	1	1						

Fig.46. CLUTCH

(A)=4JH3-HTE
(B)=4JH3-DTE
(C)=

(D)=
(E)=
(F)=

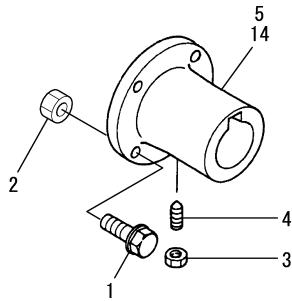
No.	Lev.	Parts No.	Description	Q'ty						I	R
				(A)	(B)	(C)	(D)	(E)	(F)		
1	1	129473-81001 (A=E20055) (B=E30114)	CLUTCH ASSY, 1.47	1	1						W
2	1	129473-81012	CLUTCH ASSY, 2.14	1	1						
3	1	129473-81022	CLUTCH ASSY, I=2.63	1	1						
4	1	129473-81032 (A=E20055) (B=E30114)	CLUTCH ASSY, I=3.30	1	1						W
5	1	129673-81010	CLUTCH ASSY, 2.04	1	1						
6	1	129673-81020	CLUTCH ASSY, I=2.45	1	1						
7	1	129474-81011	CLUTCH ASSY, 2.17	1	1						
8	1	129474-81021	CLUTCH ASSY, I=2.62	1	1						
9	1	26106-100302	BOLT, M10X 30 PLATED	8	8						
10	1	26226-100222	STUD, M10X 22	2	2						
10-1	1	26226-100252 (A=*2007.12) (B=*2007.12)	STUD, M10X 25	2	2						R
11	1	26716-100002	NUT, M10	2	2						
11-1	1	26706-100002 (A=*2013.07) (B=*2013.07)	NUT, M10	2	2						R
12	1	129673-81100 (A=*2003.03) (B=*2003.03)	GEAR, ZF25A	1	1						W
13	1	129673-81110 (A=*2003.03) (B=*2003.03)	GEAR, ZF25A	1	1						W
14	1	129673-81200 (A=*2003.03)	GEAR, ZF30M I=2.15	1							W
15	1	129673-81210 (A=*2003.03)	GEAR, ZF30M I=2.7	1							W
16	1	26106-100352 (A=*2003.03) (B=*2003.03)	BOLT, M10X 35 PLATED	8	8						W
17	1	26226-100252 (A=*2003.03) (B=*2003.03)	STUD, M10X 25	2	2						W
18	1	26716-100002 (A=*2003.03) (B=*2003.03)	NUT, M10	2	2						W

Remarks

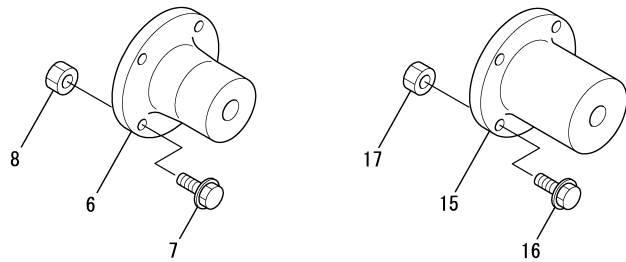
* This figure are not illustrated.

Fig.47. CUPRING

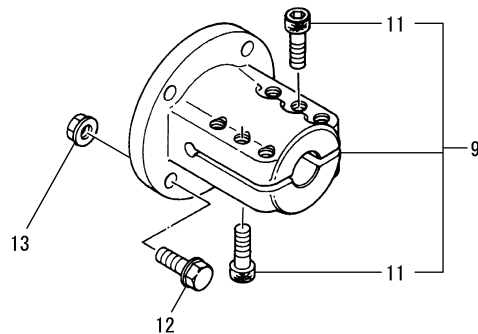
テーパカップリング
TAPER COUPLING



ストレートカップリング
STRAIGHT COUPLING



スリットカップリング
SLIT COUPLING



(A)=4JH3-HTE
(B)=4JH3-DTE
(C)=

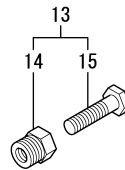
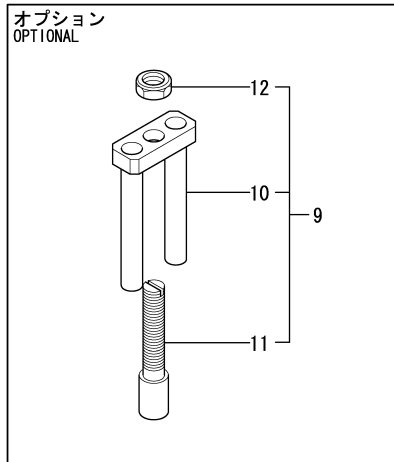
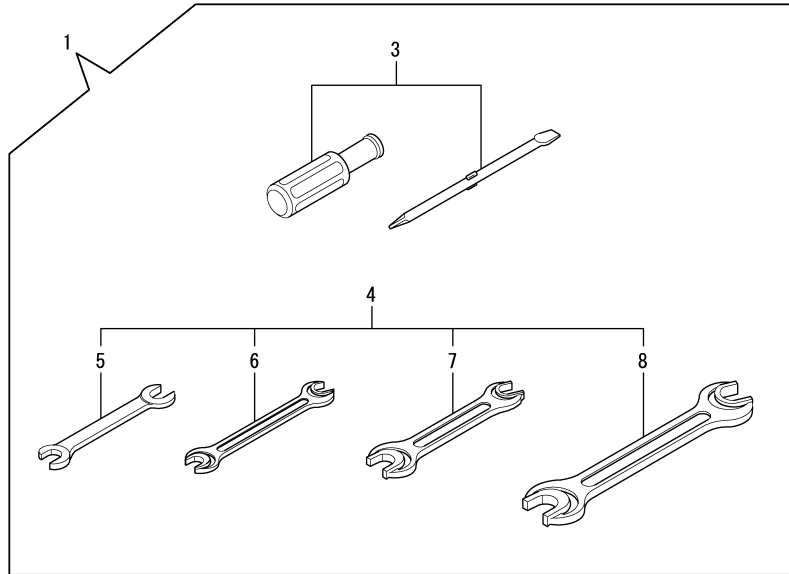
(D)=
(E)=
(F)=

No.	Lev.	Parts No.	Description	Q'ty						I	R
				(A)	(B)	(C)	(D)	(E)	(F)		
1	1	26106-100322	BOLT, M10X 32 PLATED	4	4						
2	1	26706-100002	NUT, M10	4	4						
3	1	26756-080002	NUT, LOCK M8	1	1						
4	1	48110-032411	SCREW	1	1						
5	1	129473-85900	COUPLING, TAPER 38	1	1						
6	1	129470-85900	COUPLING	1	1						
7	1	26106-100322	BOLT, M10X 32 PLATED	4	4						
8	1	26706-100002	NUT, M10	4	4						
9	1	129470-83750	COUPLING ASSY	1	1						
11	2	26450-120402	BOLT, M12X 40	6	6						
12	1	26106-100322	BOLT, M10X 32 PLATED	4	4						
13	1	26706-100002	NUT, M10	4	4						
14	1	129473-85910	COUPLING, TAPER 40	1	1						
15	1	129673-85100	CUPLING STRAIGHT ZF	1							W
(A=*2003.03)											
16	1	26106-100322	BOLT, M10X 32 PLATED	4							W
(A=*2003.03)											
17	1	26706-100002	NUT, M10	4							W
(A=*2003.03)											

Fig.48. TOOLS

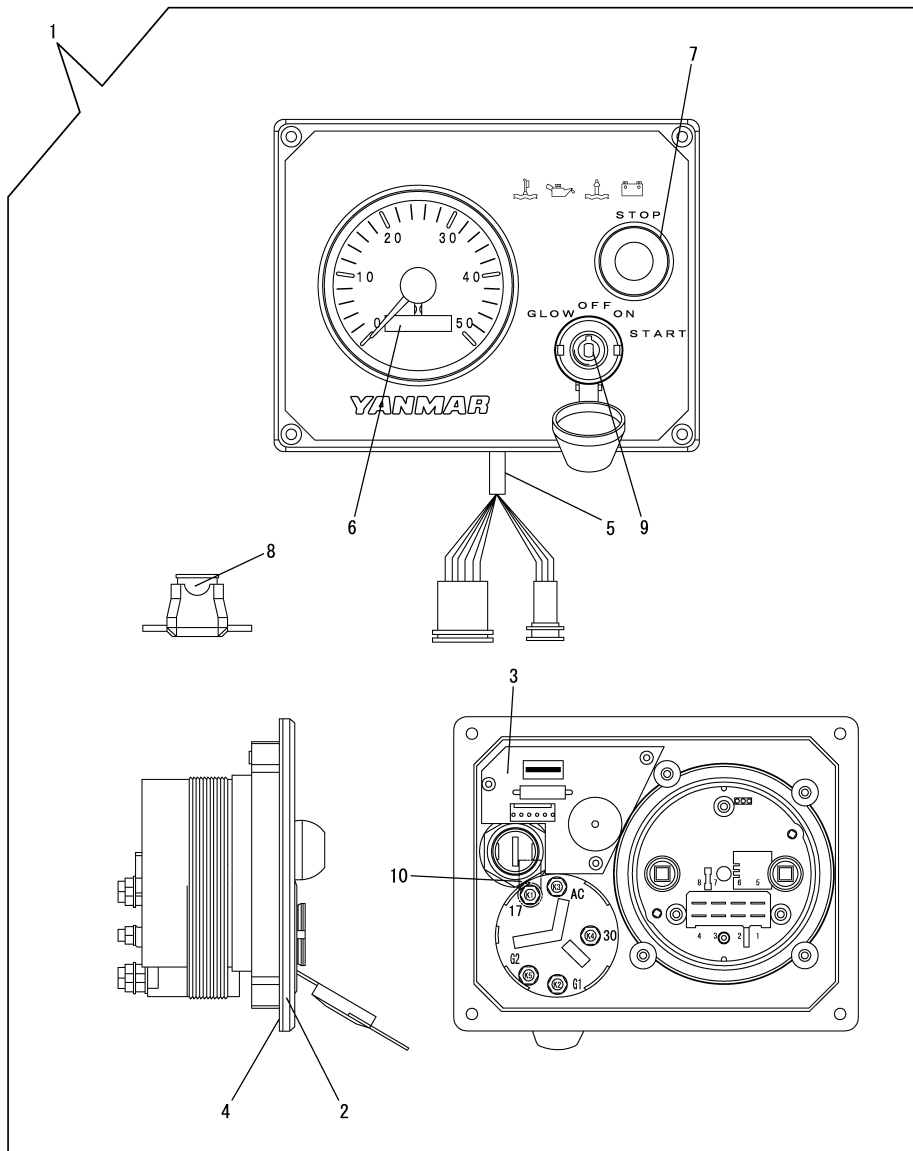
(A)=4JH3-HTE
(B)=4JH3-DTE
(C)=

(D)=
(E)=
(F)=



No.	Lev.	Parts No.	Description	Q'ty						I	R
				(A)	(B)	(C)	(D)	(E)	(F)		
1	1	129270-92100	BOX, TOOL	1	1						
3	2	129270-92650	DRIVER	1	1						
4	2	129270-92690	WRENCH ASSY	1	1						
5	3	129270-92610	WRENCH, 10X13	1	1						
6	3	129270-92620	WRENCH, 12X14	1	1						
7	3	129270-92630	WRENCH, 17X19	1	1						
8	3	129270-92640	WRENCH, 22X24	1	1						
9	1	129470-92300	TOOL ASSY, NOZZLE	1	1						
10	2	129470-92310	TOOL,NOZZLE REMOVE A	1	1						
11	2	129470-92320	TOOL,NOZZLE REMOVE B	1	1						
12	2	26716-120002	NUT, M12	1	1						
13	1	129671-92110	PULLER ASSY	1	1						W
		(A=*2004.02)	(B=*2004.02)								
14	2	129671-92120	PULLER	1	1						
15	2	129671-92130	BOLT, M10X40	1	1						

Fig.49. INSTRUMENT PANEL(B-TYPE)(VDO)



(A)=4JH3-HTE
(B)=4JH3-DTE
(C)=

(D)=
(E)=
(F)=

No.	Lev.	Parts No.	Description	Q'ty						I	R
				(A)	(B)	(C)	(D)	(E)	(F)		
1	1	129271-91110	PANEL, INSTRUMENT B	1	1						W
		(A=*2003.08) (B=*2003.08)									
1-1	1	129271-91111	PANEL, INSTRUMENT B	1	1						N
		(A=*2005.12) (B=*2005.12)									
1-2	1	129271-91112	PANEL	1	1						N
		(A=*2008.09) (B=*2008.09)									
1-4	1	129271-91113	PANEL, INSTRUMENT B	1	1						N
		(A=*2009.09) (B=*2009.09)									
1-5	1	128171-91110	PANEL, INSTRUMENT B		1						N
		(B=*2009.09)									
2	2	129271-91120	PANEL WITH COVERFOIL	1	1						
3	2	129271-91130	CIRCUIT	1	1						
3-1	2	129271-91131	CIRCUIT WITH LED&BZR	1	1						N
		(A=*2008.09) (B=*2008.09)									
3-2	2	129271-91132	CIRCUIT WITH LED&BZR	1	1						N
		(A=*2009.09) (B=*2009.09)									
4	2	129271-91140	SEAL	1	1						
5	2	129271-91150	HARNES, WIRE	1	1						
6	2	129271-91210	TACHOMETER	1	1						
6-1	2	129271-91211	TACHOMETER (AN)10.29	1	1						N
		(A=*2009.09) (B=*2009.09)									
6-2	2	128171-91210	TACHOMETER (IND) 97		1						N
		(B=*2009.09)									
7	2	129271-91220	SWITCH, STOP	1	1						
8	2	129271-91230	FUSE	1	1						
9	2	127412-91250	SWITCH, KEY	1	1						
10	2	129271-91260	CAP, RUBBER M5	1	1						W
		(A=*2005.12) (B=*2005.12)									

Remarks

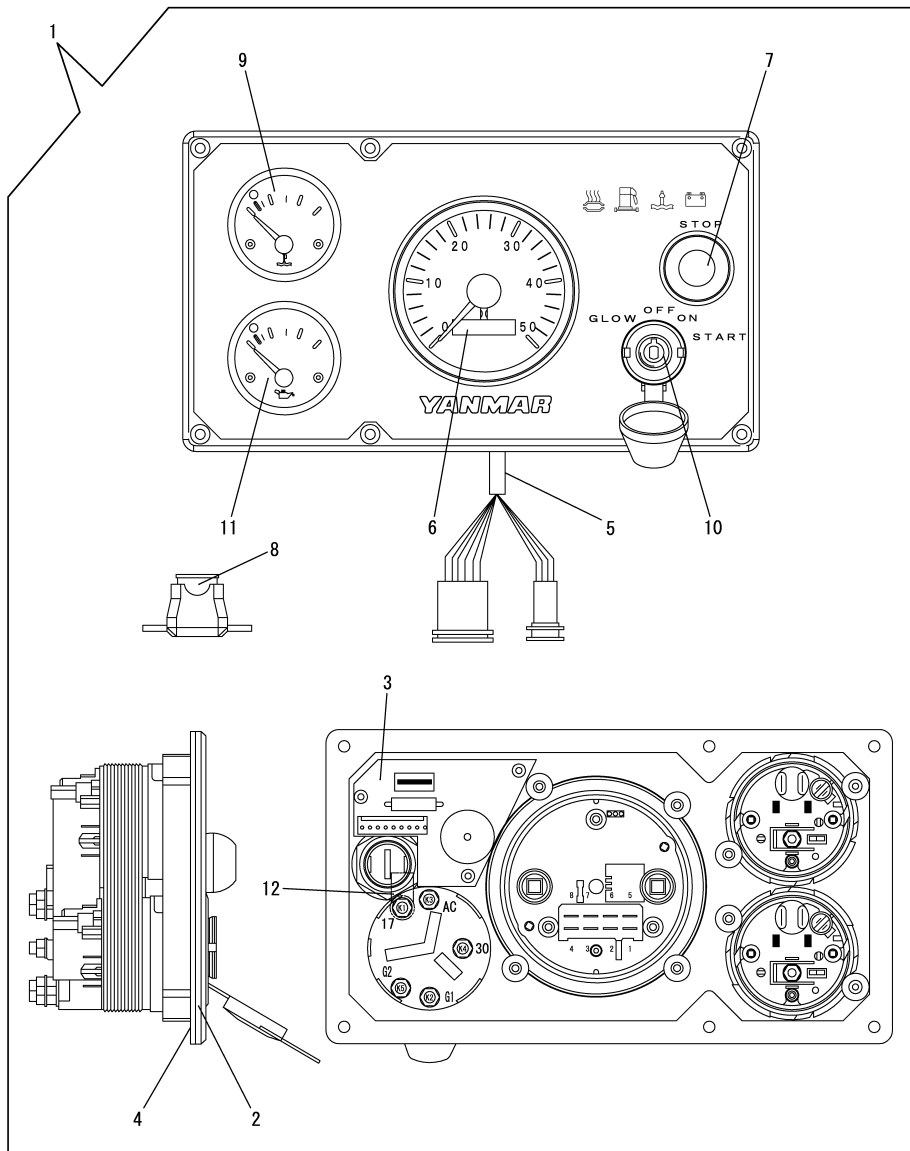
* This item is applicable to [(B)=Dec., 2011] or previous machines(Refer to Fig.53)

N:Old $\xrightarrow{\text{Yes}}$ New, Q:Old $\xrightarrow{\text{No}}$ New, R:Old $\xrightarrow{\text{Yes}}$ New, S:Old $\xrightarrow{\text{No}}$ New, W:Add, Z:Discontinued, F:Interchangeable by set, K:Q'ty Change

Fig.50. INSTRUMENT PANEL(C-TYPE)(VDO)

(A)=4JH3-HTE
(B)=4JH3-DTE
(C)=

(D)=
(E)=
(F)=



No.	Lev.	Parts No.	Description	Q'ty						I	R
				(A)	(B)	(C)	(D)	(E)	(F)		
1	1	129271-91160 (A=*2003.08) (B=*2003.08)	PANEL, INSTRUMENT C	1	1						W
1-1	1	129271-91161	PANEL, INSTRUMENT C	1	1						N
1-2	1	129271-91162 (A=*2008.09) (B=*2008.09)	C-PANEL(VDO)	1	1						N
1-3	1	129673-91160 (A=*2009.09) (B=*2009.09)	PANEL, INSTRUMENT C	1	1						N
2	2	129271-91170	PANEL WITH COVERFOIL	1	1						
3	2	129271-91180	CIRCUIT	1	1						
3-1	2	129271-91181 (A=*2008.09) (B=*2008.09)	CIRCUIT	1	1						N
3-2	2	129271-91182 (A=*2009.09) (B=*2009.09)	CIRCUIT WITH LED&BZR	1	1						N
4	2	129271-91190	RUBBER, SEAL	1	1						
5	2	129271-91200	HARNES, WIRE	1	1						
6	2	129271-91210	TACHOMETER	1	1						
6-1	2	129673-91210 (A=*2009.09) (B=*2009.09)	TACHOMETER (IND) 127	1	1						N
7	2	129271-91220	SWITCH, STOP	1	1						
8	2	129271-91230	FUSE	1	1						
9	2	129271-91240	THERMOMETER, WATER	1	1						
10	2	127412-91250	SWITCH, KEY	1	1						
11	2	129271-91250	GAUGE	1	1						
12	2	129271-91260 (A=*2005.12) (B=*2005.12)	CAP, RUBBER M5	1	1						W

Remarks

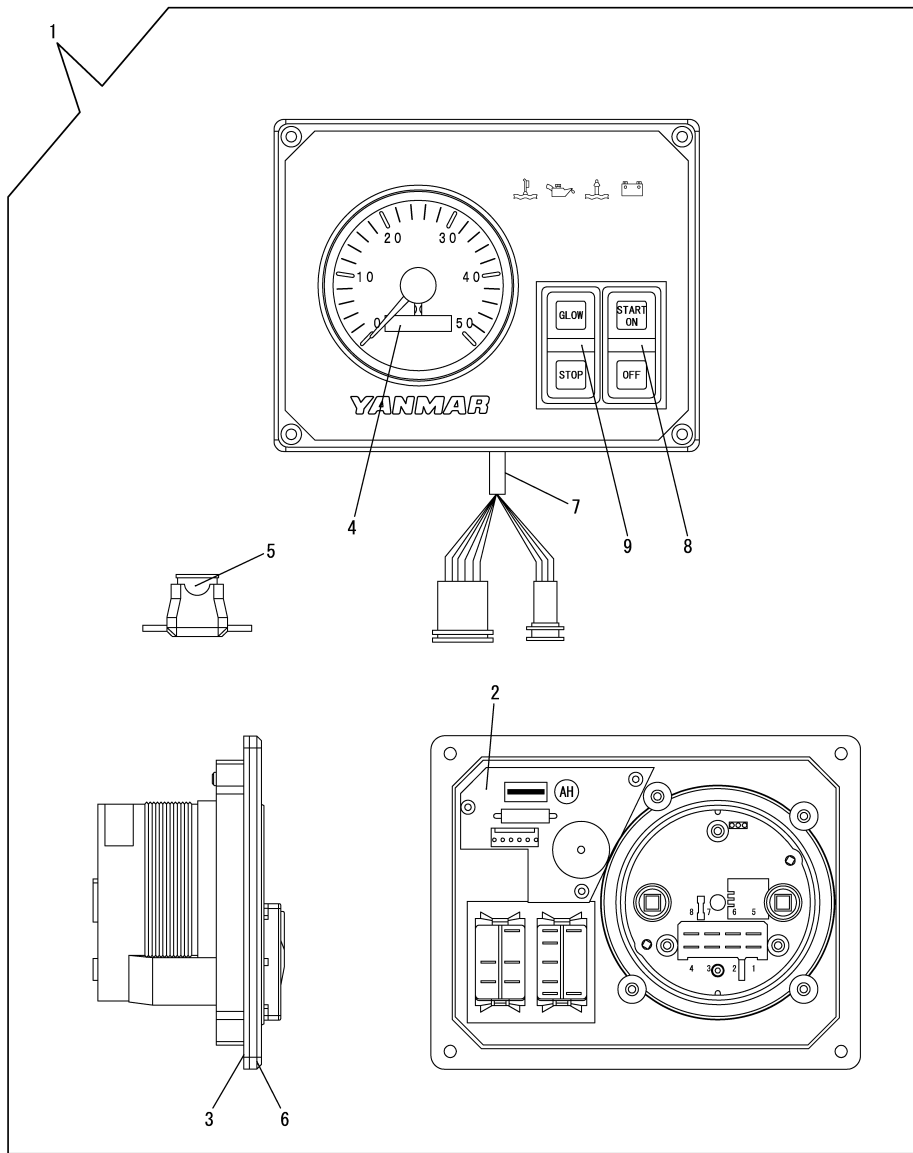
* This item is applicable to [(B)=Dec., 2011] or previous machines(Refer to Fig.54)

N:Old $\xrightarrow{\text{Yes}}$ New, Q:Old $\xrightarrow{\text{No}}$ New, R:Old $\xrightarrow{\text{Yes}}$ New, S:Old $\xrightarrow{\text{No}}$ New, W:Add, Z:Discontinued, F:Interchangeable by set, K:Q'ty Change

Fig.51. INSTRUMENT PANEL(B-TYPE)(KEYLES)(VDO)

(A)=4JH3-HTE
(B)=4JH3-DTE
(C)=

(D)=
(E)=
(F)=



No.	Lev.	Parts No.	Description	Q'ty						I	R
				(A)	(B)	(C)	(D)	(E)	(F)		
1	1	129271-91300	PANEL (B=*2007.04)		1						W
1-1	1	129271-91301	PANEL (B=*2008.09)		1						N
1-2	1	129271-91302	PANEL,B KEYLESS (B=*2009.09)		1						N
2	2	129271-91130	CIRCUIT		1						
2-1	2	129271-91131	CIRCUIT WITH LED&BZR (B=*2008.09)		1						N
2-2	2	129271-91132	CIRCUIT WITH LED&BZR (B=*2009.09)		1						N
3	2	129271-91140	SEAL		1						
4	2	129271-91210	TACHOMETER		1						
4-1	2	129271-91211	TACHOMETER (AN)10.29 (B=*2009.09)		1						N
5	2	129271-91230	FUSE		1						
6	2	129271-91310	PANEL WITH COVERFOIL		1						
7	2	129271-91320	HARNES,B KEYLESS		1						
8	2	129271-91330	SWITCH,OFF/START		1						
9	2	129271-91340	SWITCH,GLOW/STOP		1						

Remarks

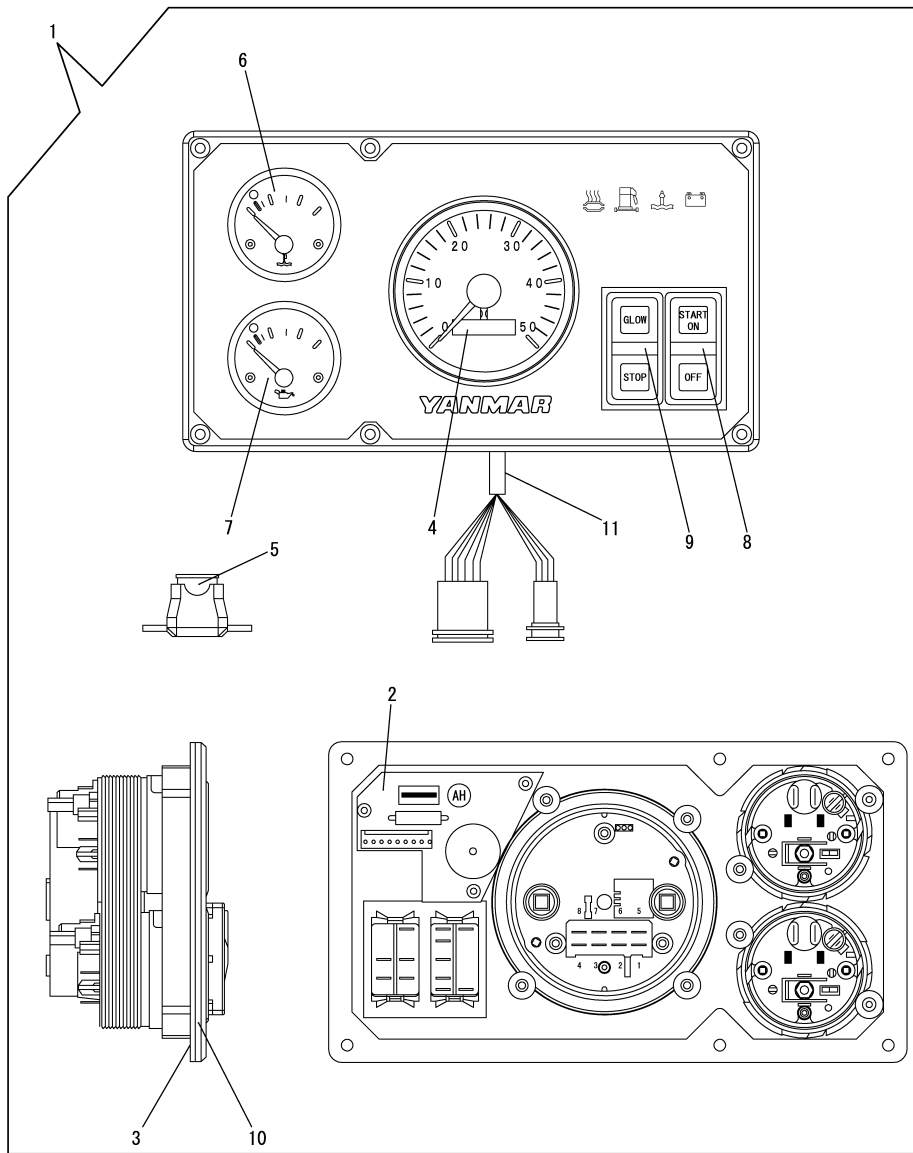
* This item is applicable to [(B)=Dec., 2011] or previous machines(Refer to Fig.53)

N:Old $\xrightarrow{\text{Yes}}$ New, Q:Old $\xrightarrow{\text{No}}$ New, R:Old $\xrightarrow{\text{Yes}}$ New, S:Old $\xrightarrow{\text{No}}$ New, W:Add, Z:Discontinued, F:Interchangeable by set, K:Q'ty Change

Fig.52. INSTRUMENT PANEL(C-TYPE)(KEYLES)(VDO)

(A)=4JH3-HTE
(B)=4JH3-DTE
(C)=

(D)=
(E)=
(F)=



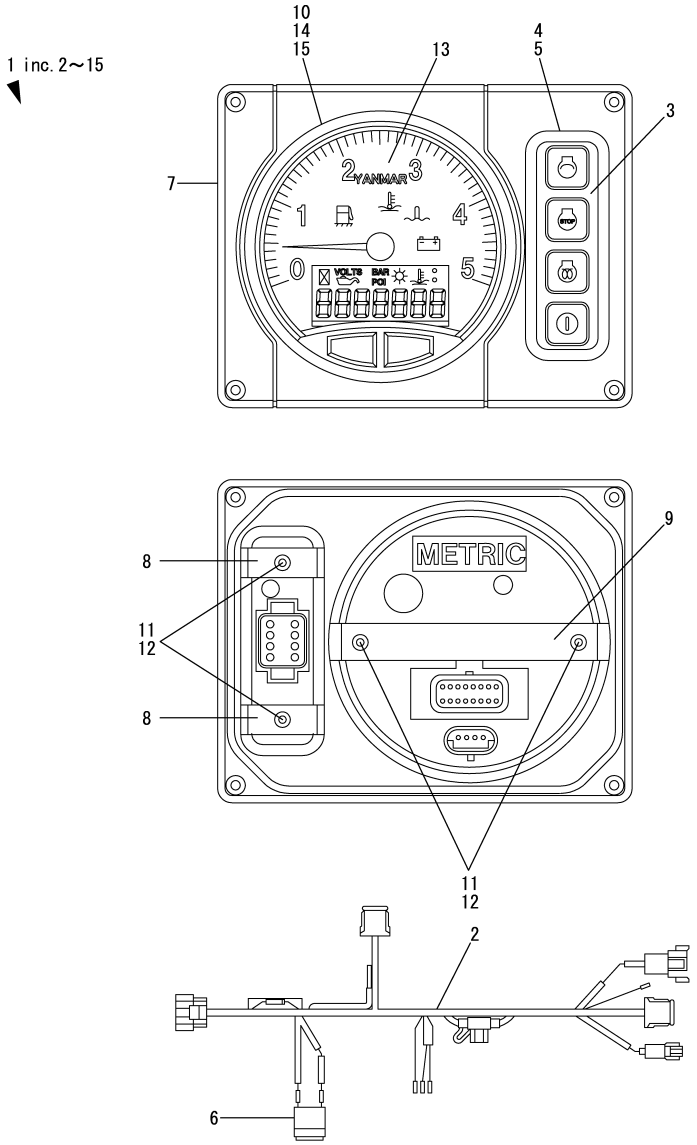
No.	Lev.	Parts No.	Description	Q'ty						I	R
				(A)	(B)	(C)	(D)	(E)	(F)		
1	1	129271-91350 (B=*2007.04)	PANEL		1						W
1-1	1	129271-91351 (B=*2008.09)	PANEL		1						N
1-2	1	129271-91352 (B=*2009.09)	PANEL,C KEYLESS		1						N
2	2	129271-91180 (B=*2008.09)	CIRCUIT		1						N
2-1	2	129271-91181 (B=*2008.09)	CIRCUIT		1						N
2-2	2	129271-91182 (B=*2009.09)	CIRCUIT WITH LED&BZR		1						N
3	2	129271-91190	RUBBER, SEAL		1						
4	2	129271-91210	TACHOMETER		1						
4-1	2	129271-91211 (B=*2009.09)	TACHOMETER (AN)10.29		1						N
5	2	129271-91230	FUSE		1						
6	2	129271-91240	THERMOMETER, WATER		1						
7	2	129271-91250	GAUGE		1						
8	2	129271-91330	SWITCH,OFF/START		1						
9	2	129271-91340	SWITCH,GLOW/STOP		1						
10	2	129271-91360	PANEL		1						
11	2	129271-91370	HARNES, WIRE		1						

Remarks

* This item is applicable to [(B)=Dec., 2011] or previous machines(Refer to Fig.54)

N:Old $\xrightarrow{\text{Yes}}$ New, Q:Old $\xrightarrow{\text{No}}$ New, R:Old $\xrightarrow{\text{Yes}}$ New, S:Old $\xrightarrow{\text{No}}$ New, W:Add, Z:Discontinued, F:Interchangeable by set, K:Q'ty Change

Fig.53. INSTRUMENT PANEL(B20)(MEDALLION)(FROM JAN. 2012)



(A)=4JH3-HTE
(B)=4JH3-DTE
(C)=

(D)=
(E)=
(F)=

No.	Lev.	Parts No.	Description	Q'ty						I	R
				(A)	(B)	(C)	(D)	(E)	(F)		
1	1	164100-30100 (B=*2011.11)	PANEL ASSY, B20		1						W
1-1	1	164100-30101 (B=*2012.05)	PANEL ASSY, B20		1						N
1-2	1	164100-30102 (B=*2013.01)	PANEL ASSY, B20 MD		1						S 1
2	2	164100-21100	HARNES, PANEL		1						
3	2	164100-31100	SWITCH, PANEL		1						
3-1	2	164100-31101 (B=*2012.05)	SWITCH, PANEL MD		1						N
4	2	164100-31150	GASKET, SWITCH		1						
5	2	164100-31900	BEZEL, SWITCH BK		1						
6	2	164100-36100	BUZZER, PANEL		1						
7	2	164100-39100	FRAME, PANEL B		1						
8	2	164100-39120	BRACKET, SWITCH		2						
9	2	164100-39130	BRACKET, GAUGE 5		1						
9-1	2	164100-39131 (B=*2013.01)	BRACKET, GAUGE 5 MD		1						S 1
10	2	164100-39150	CAP, GAUGE TERMINAL		1						
11	2	164100-39180	WASHER, LOCK		4						
12	2	164100-39190	NUT, M3.5		4						
13	2	164100-53100	GAUGE, TACH LCD 5		1						
13-1	2	164100-53101 (B=*2012.05)	GAUGE, TACH LCD 5 MD		1						N
13-2	2	164100-53102 (B=*2013.01)	GAUGE, TACH LCD 5 MD		1						S 1
14	2	164100-53150	GASKET, GAUGE 5		1						
15	2	164100-53900	BEZEL, GAUGE 5 BK		1						

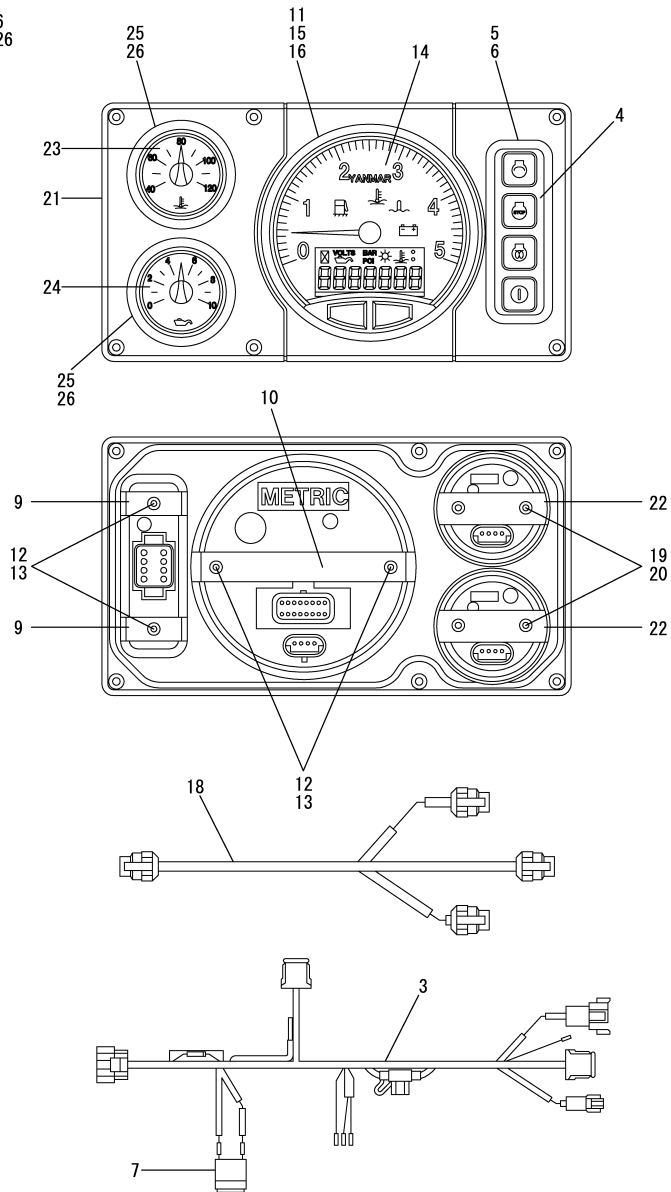
Remarks
* This item is applicable to [(B)=Jan., 2012] or following machines(Refer to Fig.49, 51).
(1)Valeo generator spec.

Fig.54. INSTRUMENT PANEL(C30)(MEDALLION)(FROM JAN. 2012)

(A)=4JH3-HTE
(B)=4JH3-DTE
(C)=

(D)=
(E)=
(F)=

1 inc. 3~26
17 inc. 18~26



No.	Lev.	Parts No.	Description	Q'ty						I	R
				(A)	(B)	(C)	(D)	(E)	(F)		
1	1	164100-30200 (B=*2011.11)	PANEL ASSY, C30		1						W
1-1	1	164100-30300 (B=*2013.03)	PANEL ASSY, C30		1						S 1
3	3	164100-21100	HARNES, PANEL		1						
4	3	164100-31100	SWITCH, PANEL		1						
4-1	3	164100-31101 (B=*2012.05)	SWITCH, PANEL MD		1						N
5	3	164100-31150	GASKET, SWITCH		1						
6	3	164100-31900	BEZEL, SWITCH BK		1						
7	3	164100-36100	BUZZER, PANEL		1						
9	3	164100-39120	BRACKET, SWITCH		2						
10	3	164100-39130	BRACKET, GAUGE 5		1						
10-1	3	164100-39131 (B=*2013.01)	BRACKET, GAUGE 5 MD		1						S 1
11	3	164100-39150	CAP, GAUGE TERMINAL		1						
12	3	164100-39180	WASHER, LOCK		4						
13	3	164100-39190	NUT, M3.5		4						
14	3	164100-53100	GAUGE, TACH LCD 5		1						
14-1	3	164100-53101 (B=*2012.05)	GAUGE, TACH LCD 5 MD		1						N
14-2	2	164100-53102 (B=*2013.01)	GAUGE, TACH LCD 5 MD		1						S 1
15	3	164100-53150	GASKET, GAUGE 5		1						
16	3	164100-53900	BEZEL, GAUGE 5 BK		1						
17	2	164100-30210	PANEL KIT, C30		1						
18	3	164100-21200	HARNES, GAUGE 2		1						
19	3	164100-39180	WASHER, LOCK		4						
20	3	164100-39190	NUT, M3.5		4						
21	3	164100-39200	FRAME, PANEL C		1						
22	3	164100-39230	BRACKET, GAUGE 2 MD		2						
23	3	164100-53200	GAUGE, TEMP CW 2		1						
24	3	164100-53210	GAUGE, PRESS LO 2		1						
25	3	164100-53250	GASKET, GAUGE 2		2						
26	3	164100-53920	BEZEL, GAUGE 2 BK		2						

Remarks

* This item is applicable to [(B)=Jan., 2012] or following machines(Refer to Fig.50, 52).

(1)Valeo generator spec.

N:Old $\xrightarrow{\text{Yes}}$ New, Q:Old $\xrightarrow{\text{No}}$ New, R:Old $\xrightarrow{\text{Yes}}$ New, S:Old $\xrightarrow{\text{No}}$ New, W:Add, Z:Discontinued, F:Interchangeable by set, K:Q'ty Change

Parts No. Index

Parts No.	Fig. No.	Ref. No.
104214-39720	5	17
		44
104271-49060	17	2
104271-91351	40	2
104271-91352	43	12
	44	15
105311-67200	33	2
105425-01690	5	1 A
105430-55041	32	8
114250-53080	29	5
		19
114250-53120	29	9
		23
114250-53130	29	10
		24
114250-53140	29	11
		25
114250-53210	29	12
		26
114250-53400	29	13
		27
119129-77250	36	14
119129-77260	36	15
119129-77320	36	3
119129-77890	36	21
119129-77900	36	22
119129-77930	36	19
119129-77940	37	12
119171-14400	14	7
119171-59200	28	5
119171-59910	31	14
119171-67200	28	7
119171-77701	40	20
	41	36
119173-55700	31	2
119174-25060	14	13
119175-42620	20	8
119309-01810	1	28 -1
119573-77200	37	1
		1 -1
119573-77201	36	1
		1 -1
119575-77060	10	19
119575-77071	10	20
119575-77510	38	13 -1
119575-77511	38	13 -2
119593-59580	31	21
119593-59590	31	18
119620-49290	22	18 -1
	23	12 -1

Parts No.	Fig. No.	Ref. No.
119620-49290	23	12 -2
119625-11870	7	28
		28 -2
119625-11872	7	28 -1
119625-11880	7	30
119625-11900	7	29
	8	29
119773-91500	38	21 -1
119773-91501	38	21 -2
119773-91520	39	21 -1
119773-91650	38	34
119773-91700	38	35
119773-91850	38	24 -1
119802-11280	7	44 -1
	8	44 -1
119803-53400	29	13 -1
		27 -1
120130-11860	7	26
	8	26
120130-49350	22	18
	23	12
120130-91370	38	10
120130-91860	43	6
120270-77101	38	18
120270-77102	38	18 -1
120445-44640	22	16
120650-07060	6	23 -1
121111-21501	15	7
121252-39150	18	12
121252-39450	38	8 -2
121400-11340	7	20
	8	20
121450-01560	2	16 -1
	28	1
121550-23200	16	18
121574-86320	5	36
	33	7
121575-91250	41	3
	42	2
	43	10
	44	13
121750-59890	24	7
121850-01910	9	18
121850-11860	7	10 -1
	8	10 -1
121850-21130	15	11
121850-35200	19	12
121850-35520	19	14
121850-35531	19	15
121850-51960	28	17

Parts No.	Fig. No.	Ref. No.
121857-55750	31	7
121857-55760	31	8
122780-59100	30	1
		1 -1
		1 -2
		25
123310-77640	34	62
123325-49421	17	26
123325-49490	22	8
		17 -1
		17 -2
123325-77920	34	65
123325-77930	34	66
123482-01900	10	10
123482-39670	38	20
	39	20
123482-91291	40	5
	41	4
	42	3
	43	11
	44	14
	45	7
123682-07851	6	4
123682-07852	6	4 -1
123900-77700	58	2
123900-77730	58	3
123901-39820	18	15 -1
124060-39451	38	8
124060-39452	38	8 -1
124070-59060	32	1
124070-59130	32	2
124070-77950	38	4
	39	5
124080-77390	36	10
124080-77490	35	3
124080-77520	36	12
124085-11690	21	5
124160-01751	9	19
124160-01910	1	15
		42 -1
124160-11360	9	11
124160-49480	22	7
124195-77770	34	60
124223-35510	19	13
124240-01871	2	7 -1
	20	25
124411-91010	40	16
124411-91190	40	1
124411-91191	40	1 -1
124413-39100	19	23

Parts No.	Fig. No.	Ref. No.
124413-39100	19	23 -1
124413-39710	18	17
124460-11340	7	21
	8	21
124460-77680	1	29
		29 -1
	11	5
	22	30 -1
	23	13
124550-01590	2	11 -2
124550-21600	15	10
124550-77030	34	64
124616-91370	10	23
124617-91840	41	23
	42	23
124617-91850	38	24
124617-91900	41	44
	42	35
124617-91920	41	21
	42	21
124617-91980	41	25
	43	4
	44	4
	45	33
124617-91990	41	11
	42	10
	43	34
	44	39
	45	28
124722-59050	31	17
124770-77940	38	3
	39	4
124790-44560	22	34
124976-34850	1	28 -2
126630-91560	39	21
126630-91570	39	22
126630-91591	39	12
127410-91510	41	13
	42	13
127410-91520	41	14
	42	14
127410-91530	41	15
	42	15
127410-91550	41	17
	42	17
127410-91560	41	19
	42	19
127410-91570	41	20
	42	20
127410-91580	41	16

Parts No. Index

Parts No.	Fig. No.	Ref. No.
127410-91580	41	22
	42	16
		22
127410-91590	41	2
		24
	42	11
		24
127410-91600	41	26
	42	26
127410-91610	41	27
	42	27
127410-91620	41	28
	42	28
127410-91630	41	29
	42	29
127410-91680	41	39
	42	40
127412-91250	40	4
	49	9
	50	10
127420-44560	24	1
127610-77710	40	19
	41	35
127620-91500	41	37
	42	38
127620-91510	41	38
	42	39
127620-91550	41	41
	42	33
127620-91560	41	40
	42	41
127620-91570	41	42
	42	34
127620-91580	41	43
	42	37
127620-91780	41	31
	42	31
127620-91790	41	30
127620-91820	40	8
	41	5
	42	4
127620-91830	41	7
	42	6
127675-82650	23	9
127687-91790	42	30
127687-91870	43	7
	44	41
	45	35
127687-91880	43	36
	44	40

Parts No.	Fig. No.	Ref. No.
127687-91880	45	34
127692-91410	43	30
	44	35
	45	8
127692-91440	43	31
	44	36
	45	11
127692-91450	43	32
	44	37
	45	13
128170-13600	11	2
	22	26
128170-34800	5	25
128170-86500	33	12
128170-86501	33	12 -1
128170-91020	40	9
128170-91031	40	10
128170-91160	38	9
	39	10
128170-91310	40	3
128170-91810	40	12
128170-91820	40	13
128170-91830	40	14
128171-07150	6	1
128171-91110	49	1 -5
128171-91210	49	6 -2
128271-77200	35	1 -1
	58	1
		1 -1
128271-77730	58	4
128271-77740	58	5
128271-77750	58	6
128296-07190	6	6
128296-07260	6	2
128296-07300	6	16
128296-07350	6	3
128296-07400	6	7
128296-07420	6	8
128296-07450	6	9
128296-07460	6	10
128370-86280	33	17
128371-01800	1	43
128377-07150	6	28
128377-07190	6	31
128377-07270	6	23
128377-07350	6	24
128377-07400	6	32
128377-07420	6	33
128377-07450	6	34
128377-07460	6	35

Parts No.	Fig. No.	Ref. No.
128391-77720	38	27
128391-91260	43	5
128391-91440	43	23
128391-91640	43	22
128391-91700	43	35
128391-91740	43	24
128391-91930	43	18
128397-44500	22	32
128397-44510	22	33
128695-44090	11	3
	24	11
128696-91100	40	15
128990-07270	6	29
128990-07900	6	26
128990-34900	6	25
128990-59131	32	2 -1
128990-59540	31	13 -2
128990-59700	32	1 -1
128990-59890	38	1 -2
128990-59900	31	30
128990-77250	55	15
128990-77510	38	33 -1
128990-77911	10	34
129001-01250	1	9 -1
129052-42050	21	3 -1
129052-42310	21	4 -1
129054-42320	21	2 -1
129100-01580	15	2
129100-35140	19	8
129100-77500	10	12
129100-77501	10	12 -1
129100-77510	10	13
129107-44590	22	15
129120-11100	7	15
	8	15
129120-11110	7	16
	8	16
129150-01200	1	40
129150-01870	2	7
129150-01881	2	8
	20	22
		28
129150-02020	1	10
129150-02450	14	5
129150-02800	1	17
129150-02870	1	34
129150-02930	1	20
129150-02931	1	20 -1
129150-02940	1	37
129150-03020	9	3

Parts No.	Fig. No.	Ref. No.
129150-03070	9	4
129150-03080	9	5
129150-11230	7	42
	8	42
129150-11280	7	39
	8	39
129150-11370	7	22
	8	22
129150-11750	7	43
	8	43
129150-11810	7	27
	8	27
129150-14101	14	3
129150-14200	14	6
129150-21200	15	4
129150-23601	16	19 -1
129150-23610	16	21
129150-23611	16	21 -1
129150-25020	14	8
129150-25052	14	9
129150-32020	19	3
129150-35041	19	1 -1
129150-35042	19	1 -2
129150-35170	19	6
129150-42020	21	18
129150-42059	21	3 -2
129150-42120	21	6 F
129150-42129	21	6 F-1
129150-42300	21	6
129150-42301	21	6 -1
129150-42319	21	4 -2
129150-42320	21	2
129150-49811	21	15 -1
129150-77511	10	14 -2
		14 -3
	13	19 -1
129155-11260	7	37
	8	37
129155-11270	7	38
	8	38
129156-44760	21	20
		20 -1
129170-91260	44	8
129170-91610	43	25
	44	30
	45	14
129170-91650	43	8
	44	11
	45	18
129170-91800	43	13

Parts No. Index

Parts No.	Fig. No.	Ref. No.
129170-91800	44	16
129170-91810	43	17
	44	10
129170-91850	44	38
	45	27
129170-91860	44	9
	45	29
129170-91890	45	31
129170-91930	44	20
	45	32
129171-44600	22	14 -1
		14 -2
129171-49900	23	25
129171-91880	42	5
129189-21200	15	4 A
129198-59540	10	30
129263-42120	21	6 F-2
129270-44490	17	7
		7 -1
		21
		21 -1
129270-44501	22	34 -1
129270-59550	31	19 -2
129270-59580	31	21 -1
129270-92100	48	1
129270-92610	48	5
129270-92620	48	6
129270-92630	48	7
129270-92640	48	8
129270-92650	48	3
129270-92690	48	4
129271-42350	21	23
129271-49110	24	18
129271-77631	55	8
129271-77641	55	9
129271-77921	10	37
129271-91110	49	1
129271-91111	49	1 -1
129271-91112	49	1 -2
129271-91113	49	1 -4
129271-91120	49	2
129271-91130	49	3
	51	2
129271-91131	49	3 -1
	51	2 -1
129271-91132	49	3 -2
	51	2 -2
129271-91140	49	4
	51	3
129271-91150	49	5

Parts No.	Fig. No.	Ref. No.
129271-91160	50	1
129271-91161	50	1 -1
129271-91162	50	1 -2
129271-91170	50	2
129271-91180	50	3
	52	2
129271-91181	50	3 -1
	52	2 -1
129271-91182	50	3 -2
	52	2 -2
129271-91190	50	4
	52	3
129271-91200	50	5
129271-91210	49	6
	50	6
	51	4
	52	4
129271-91211	49	6 -1
	51	4 -1
	52	4 -1
129271-91220	49	7
	50	7
129271-91230	49	8
	50	8
	51	5
	52	5
129271-91240	50	9
	52	6
129271-91250	50	11
	52	7
129271-91260	49	10
	50	12
129271-91300	51	1
129271-91301	51	1 -1
129271-91302	51	1 -2
129271-91310	51	6
129271-91320	51	7
129271-91330	51	8
	52	8
129271-91340	51	9
	52	9
129271-91350	52	1
129271-91351	52	1 -1
129271-91352	52	1 -2
129271-91360	52	10
129271-91370	52	11
129301-03660	9	14
129301-34830	5	12
		29
		22

Parts No.	Fig. No.	Ref. No.
129400-77501	10	16
129400-77502	10	16 -1
129410-03990	9	15
129418-21000	15	1
129461-59580	31	29
129470-01531	2	4
129470-01550	2	5
129470-01620	3	2
129470-01710	5	2
129470-01750	5	3
129470-07230	7	49
129470-11920	7	31
	8	31
	29	14
		28
129470-12100	10	1
129470-12120	10	3
129470-12130	10	5
129470-12301	11	8
129470-12320	11	10
129470-12330	11	11
129470-32000	19	2
129470-32001	19	2 -1
129470-32002	19	2 -2
129470-35040	19	1
129470-42001	21	1
129470-42002	21	1 -1
129470-42003	21	1 -2
129470-42050	21	3
129470-42310	21	4
129470-49200	24	12
129470-49220	24	13
129470-49240	24	14
129470-49250	24	15
129470-49801	21	14
129470-49810	21	15
129470-59540	31	13
129470-77330	35	21
	36	23
129470-77340	35	22
	36	24
129470-77590	10	14
		14 -1
	13	19
129470-83750	47	9
129470-85900	47	6
129470-86250	33	16
129470-86310	33	18
129470-86500	33	15
129470-91100	41	1

Parts No.	Fig. No.	Ref. No.
129470-91101	41	1 -1
		1 -2
129470-91102	42	1
129470-91103	42	1 -1
129470-91150	41	6
129470-91160	41	32
129470-91161	41	32 -1
	42	32
129470-91170	41	18
	42	18
129470-91180	41	9
	42	8
129470-91190	40	17
	41	8
	42	7
	43	16
	44	7
129470-91191	45	3
129470-92300	48	9
129470-92310	48	10
129470-92320	48	11
129472-13500	11	19
129472-13501	11	19 -1
129472-13520	11	13
		22
129472-13550	11	23
129472-13560	11	21
		24
129472-14000	14	1
129472-18090	11	31
129472-39020	18	1
129472-39620	18	16
129473-01700	5	1
129473-34850	5	13
		31
129473-34880	5	14
		32
129473-35091	19	19
129473-49310	21	22
	24	2
129473-81001	46	1
129473-81012	46	2
129473-81022	46	3
129473-81032	46	4
129473-85900	47	5
129473-85910	47	14
129474-18151	13	18
129474-18171	10	28
129474-18181	13	21
129474-33500	17	12

Parts No. Index

Parts No.	Fig. No.	Ref. No.
129474-33501	17	12 -1
	56	16
129474-39450	18	13
129474-49020	23	11
129474-81011	46	7
129474-81021	46	8
129486-42050	21	18 -1
129490-49070	23	24
129490-77910	38	13
129494-49050	23	19
129494-49060	23	20
129495-39350	18	6
129495-39360	18	5 A
129495-39361	18	5 A-1
129495-59551	31	19
129495-59553	31	19 -1
129550-11290	7	34
	8	34
129550-11310	9	7
129550-13110	22	27
129550-42350	21	19
		19 -1
129553-39650	1	32
129555-11241	7	32
	8	32
129570-34880	5	26
129570-77920	39	15
129570-77960	38	19
129570-91320	39	11
129570-91850	43	33
129573-18120	13	9
129573-22301	16	13
129573-23000	16	15 -1
129573-25090	14	15
129573-49540	21	12
129573-77951	38	14
	39	16
129573-77952	38	14 -1
129573-77960	38	15
	39	17
129574-21590	15	8
129574-55700	31	6
129574-55710	31	5
129574-55711	31	5 -1
129574-55730	31	4
129574-55780	31	4 A
129574-55800	31	3
129574-55820	31	3 -1
129574-55830	31	9 A
129574-59950	30	19

Parts No.	Fig. No.	Ref. No.
129574-59990	31	22
129574-59991	31	22 -1
129574-77710	38	28
129574-77720	38	29
129574-77740	38	30
129574-77820	39	3
129574-77860	40	18
	41	34
129574-77911	38	2
129574-77980	38	23
129574-91130	43	1
129574-91160	44	1
129574-91161	44	1 -1
		1 -2
129574-91162	45	1
129574-91200	43	2
	44	2
	45	4
129574-91210	44	5
	45	5
129574-91220	44	6
129574-91221	44	6 -1
129574-91222	45	6
129574-91410	43	9
	44	12
129574-91420	43	20
	44	22
	45	9
129574-91430	44	25
	45	10
129574-91440	44	28
	45	12
129574-91560	38	25
129574-91561	38	25 -1
129574-91570	38	26
129574-91620	43	19
	44	21
	45	15
129574-91630	44	24
	45	16
129574-91640	44	27
	45	17
129574-91650	43	29
	44	34
	45	19
129574-91710	43	26
	44	31
	45	20
129574-91720	43	21
	44	23

Parts No.	Fig. No.	Ref. No.
129574-91720	45	21
129574-91730	44	26
	45	22
129574-91740	44	29
	45	23
129574-91750	43	27
	44	32
	45	24
129574-91760	43	37
	44	42
	45	25
129574-91770	43	28
	44	33
	45	26
129574-91780	43	14
	44	17
129574-91790	43	15
	44	18
129574-91870	43	3
	44	3
	45	30
129574-91890	44	19
129577-11350	9	1
129590-59200	39	1
129595-18132	13	24
129595-18141	13	25
129595-18151	13	26
129608-77010	34	1 -1
129608-77110	34	41
129670-07230	22	25 H
129670-08120	4	8
129670-08130	4	9
129670-08350	4	7
129670-08351	4	7 -1
129670-13600	11	2 -1
	22	26 -1
129670-34810	5	25 -1
129670-39600	38	12 -1
	39	14 -1
129670-39990	19	24 -1
		24 -2
129670-42500	20	1
129670-42501	20	1 -1
129670-42510	20	1 -2
129670-42511	20	1 -3
129670-42512	20	1 -4
129670-42520	20	6
129670-42530	20	3
129670-42531	20	3 -1
129670-42540	20	5

Parts No.	Fig. No.	Ref. No.
129670-42550	20	7
129670-42560	20	11
129670-42570	20	20
129670-42580	20	17
129670-42700	20	21
129670-44200	22	4 -2
129670-44420	56	7
129670-44570	22	35
129670-44600	22	14
129670-49290	11	3 -1
	24	11 -1
		11 -2
129670-49500	11	16 -1
		27 -1
	23	14 -1
		21 -1
		26 -1
		34
		39
	24	17 -1
		17 -2
	25	13 -1
129670-55700	31	2 -1
129670-77030	34	64 -1
129670-77340	36	24 -1
	37	21
129670-77350	36	24 -2
	55	5
	58	8
129670-77370	36	32 -1
	55	6
	58	9
129670-77380	36	31 -1
	55	7
	58	10
129670-77430	36	23 -1
	37	22
	58	11
129670-77940	38	3 -1
129670-77990	38	32
	42	42
129670-81850	15	20
129671-13570	11	33 -1
129671-18150	13	25 -1
129671-33001	56	2
129671-33010	56	1
129671-39600	38	20 -1
	39	20 -1
129671-44310	22	28 -1
129671-49220	24	12 -2

Parts No. Index

Parts No.	Fig. No.	Ref. No.
129671-49990	10	17
129671-55660	31	10 -1
129671-77510	10	21
129671-77920	10	22
129671-92110	48	13
129671-92120	48	14
129671-92130	48	15
129672-03090	9	13
129672-07560	6	18
129672-18001	11	1
	12	1
129672-18110	13	1 -1
129672-18130	13	2 -1
129672-18140	13	3 -1
129672-18150	13	8 A
129672-18160	13	8 B
129672-18170	13	6 -1
129672-18180	13	8 -1
129672-18190	13	8 C
129672-21000	15	1 -1
129672-22000	16	1 -1
129672-22001	16	1 -2
129672-25100	14	10
129672-44020	22	2 -2
129672-44070	22	11 -2
129672-44090	22	12 A
		25 C
129672-44100	22	25 B
129672-44150	22	21 -1
129672-44160	22	25 F
129672-44170	22	25 G
129672-44400	22	9 -2
129672-44900	22	1 -2
129672-49010	23	1
129672-49020	23	4
129672-49030	23	2 -2
129672-49050	23	7 -1
129672-49060	23	1 -2
129672-49070	23	3 -2
129672-49090	11	15
129672-49260	24	16 -2
129672-49500	11	1 C
	24	3 -1
		3 -2
129672-51900	28	3
129672-51901	28	3 -1
129672-53000	29	2 -1
129672-77950	38	4 -2
	39	5 -2
129673-01500	2	1

Parts No.	Fig. No.	Ref. No.
129673-01520	2	1 -1
129673-01600	3	1
129673-01620	3	1 -1
129673-01700	5	1 -1
129673-07560	6	19
129673-08100	4	1
129673-08110	4	2
129673-08120	4	3
129673-08130	4	4
129673-08140	4	10
129673-08150	4	11
129673-13550	11	14
129673-13551	11	14 -1
129673-13552	11	14 -2
129673-18010	11	1 -2
		1 A-1
129673-18100	13	1
129673-18140	13	26 -1
129673-18150	13	27 -1
129673-18220	13	2
129673-18230	13	3
129673-18250	13	6
129673-21650	15	25
129673-22000	16	1
		7
129673-22001	16	7 -1
129673-22500	16	3 -1
		9 -1
129673-22501	16	3 -2
		9 -2
129673-25900	28	21
129673-28010	15	14 -1
129673-33000	17	1
129673-33001	17	1 -1
129673-33020	17	4
		19
		56 4
129673-33030	17	5
129673-33040	17	6
		20
129673-33041	17	6 -1
		20 -1
		56 5
129673-33050	17	8
		27
		56 6
129673-33100	17	16
129673-33101	17	16 -1
		17
129673-33110	17	16 -2

Parts No.	Fig. No.	Ref. No.
129673-33130	17	25
129673-34880	5	30
129673-39300	18	5
129673-39301	18	5 -1
129673-44000	22	2
129673-44090	22	25 A
129673-44120	22	7 -1
		8 -1
129673-44131	22	15 -1
129673-44400	22	9
129673-44410	22	11
129673-44420	22	17
129673-44490	22	10
		10 -1
129673-44560	24	1 -1
129673-44900	22	1
129673-49010	23	1 -1
129673-49020	23	4 -1
		4 -2
129673-49030	23	18 -1
		27
129673-49040	23	2 -1
		3 -1
129673-49060	11	25
	23	10
129673-49070	23	19 -1
129673-49080	23	20 -1
129673-49090	11	26
129673-49100	23	28
129673-49110	11	15 -1
129673-49150	11	26 -1
129673-49210	24	16 -1
129673-49220	24	12 -1
129673-49230	24	14 -1
		14 -2
129673-49240	23	11 -1
129673-49310	21	22 -1
129673-49410	23	31
129673-49420	23	32
129673-49430	23	37
129673-49440	23	33
		38
129673-51250	28	2
129673-51251	28	2 -1
129673-51260	28	2 -2
129673-53000	29	16 -1
129673-54030	28	20
129673-55650	31	1
129673-55660	31	1 -1
129673-59121	31	13 -1

Parts No.	Fig. No.	Ref. No.
129673-59950	30	24
129673-77680	21	7 -1
129673-77910	38	2 -1
129673-77950	38	14 -2
	39	16 -1
129673-77960	38	15 -1
129673-81010	46	5
129673-81020	46	6
129673-81100	46	12
129673-81110	46	13
129673-81150	15	26
129673-81200	46	14
129673-81210	46	15
129673-81250	15	28
129673-81760	15	23
129673-85100	47	15
129673-91160	50	1 -3
129673-91210	50	6 -1
129685-11930	29	14 -1
		28 -1
129690-02800	1	17 -1
129690-02870	1	34 -1
129692-22002	16	7 -2
129692-53000	29	2
		16
129693-01330	1	30
129693-01331	1	30 -1
129693-01510	2	2
129693-01520	2	3
129693-11870	8	28
129693-11880	8	30
129693-18001	11	1 -1
		1 A
		1 B
	12	24
129693-18150	13	27
129693-18450	10	29
129693-21650	15	12
129693-21660	15	13
129693-25100	14	10 -1
		10 A
129693-28010	15	14
129693-35130	19	5
129693-35150	19	7
129693-35170	19	9
129693-39251	17	28
	56	11
129693-39600	18	14
129693-39601	18	14 -1
129693-44000	22	2 -1

Parts No. Index

Parts No.	Fig. No.	Ref. No.
129693-44110	22	9 -1
129693-44300	7	24
	8	24
129693-44310	22	28
129693-44400	22	11 -1
129693-44420	22	13
		13 -1
		25 E
129693-44560	24	3
129693-44900	22	1 -1
129693-49010	23	2
		3
129693-49040	23	6
129693-49050	23	7
129693-49260	24	16
129693-59560	31	20
129693-59562	31	20 -1
129693-59810	30	3
129693-59811	30	3 -1
129693-59820	30	7
129693-59821	30	7 -1
129693-59830	30	11
129693-59840	30	15
129693-67101	33	1
129693-67102	5	35
	33	1 -1
129693-67210	28	6
129698-12100	10	1 -1
129698-21000	15	1 A
129698-21001	15	1 A-1
129698-49020	23	5
129698-51901	28	4
129698-51902	28	4 -1
129698-77020	34	39
129698-77101	34	40
129698-77120	34	42
129698-77130	34	44
129698-77140	34	43
129698-77150	34	45
129698-77161	34	46
129698-77170	34	47
129698-77180	34	54
129698-77190	34	55
129698-77200	34	56
129698-77210	34	57
129698-77220	34	58
129698-77230	34	59
129698-77240	34	52
129698-77250	34	53
129698-77260	34	48

Parts No.	Fig. No.	Ref. No.
129698-77270	34	50
129698-77280	34	51
129772-77200	35	1
129792-39610	18	15
129795-01780	3	3
129795-01800	2	6
129795-01950	1	24
	2	9
129795-02411	1	11
129795-02412	1	11 -1
129795-11080	7	6
	8	6
129795-11090	7	7
	8	7
129795-11120	7	17
	8	17
129795-11180	7	18
	8	18
129795-48800	25	1
129795-49551	21	13
129795-59100	31	24
129900-07900	7	47
	8	47
129900-77810	58	7
129916-49740	21	5 -2
		5 -3
129930-61970	28	18
129930-61980	28	19
129C26-01890	20	28 -1
138603-59380	32	4
144626-91560	38	21
144626-91570	38	22
157854-04300	41	12
	42	12
164100-21100	53	2
	54	3
164100-21200	54	18
164100-22720	38	27 -1
164100-22730	38	28 -1
164100-22740	38	30 -1
164100-22830	38	29 -1
164100-23700	38	38
164100-23900	38	36
		36 -1
164100-23910	38	37
164100-30100	53	1
164100-30101	53	1 -1
164100-30102	53	1 -2
164100-30200	54	1
164100-30210	54	17

Parts No.	Fig. No.	Ref. No.
164100-30300	54	1 -1
164100-31100	53	3
	54	4
164100-31101	53	3 -1
	54	4 -1
164100-31150	53	4
	54	5
164100-31900	53	5
	54	6
164100-36100	53	6
	54	7
164100-39100	53	7
164100-39120	53	8
	54	9
164100-39130	53	9
	54	10
164100-39131	53	9 -1
	54	10 -1
164100-39150	53	10
	54	11
164100-39180	53	11
	54	12
		19
164100-39190	53	12
	54	13
		20
164100-39200	54	21
164100-39230	54	22
164100-53100	53	13
	54	14
164100-53101	53	13 -1
	54	14 -1
164100-53102	53	13 -2
	54	14 -2
164100-53150	53	14
	54	15
164100-53200	54	23
164100-53210	54	24
164100-53250	54	25
164100-53900	53	15
	54	16
164100-53920	54	26
171007-49400	11	4
171008-77010	34	1
171008-77400	34	5
171008-77440	34	9
171008-77450	34	10
171008-77460	34	11
171008-77470	34	12
171008-77480	34	13

Parts No.	Fig. No.	Ref. No.
171008-77490	34	14
171008-77500	34	2
171008-77510	34	3
171008-77520	34	4
171008-77531	34	15
171008-77540	34	16
171008-77571	34	19
171008-77640	34	26
171008-77650	34	27
171008-77660	34	28
171008-77670	34	29
171008-77750	34	36
171051-01921	1	5
177050-02811	6	13
177050-02821	6	15
177061-02811	6	14
177073-02431	6	12
177074-06350	38	19 A
177075-02550	6	11
177088-02430	6	5
		27
177090-03500	15	18
183350-55130	38	33
194151-55820	40	11
194250-51660	10	18
	38	1
194440-51620	24	4
		5
		6
194555-55820	42	25
194555-62750	39	2
196630-12980	6	17
		30
198451-78680	45	2
22113-060000	33	19
22133-080000	11	32
22137-080000	11	17
		28
	13	10
	31	28
	35	23
	36	26
	37	23
	38	5
	39	6
	55	10
	58	12
22137-100000	3	5
	35	24
	36	27

Parts No. Index

Parts No.	Fig. No.	Ref. No.
22137-100000	37	24
	58	13
22190-080002	2	10 -1
		10 -2
		11 A
	10	11 -1
22190-120002	31	16 -1
		23 -1
22190-160002	5	1 D
22217-050000	5	37
	33	20
	40	7
	55	1
22217-060000	38	31
	39	23
22217-080000	5	18
		38
	13	7
		7 -1
	15	15
		21
	19	20
	21	21
	33	21
	38	6
	39	7
	55	2
22217-100000	5	19
		45
22242-000100	33	6
22252-000280	16	14
22312-080160	1	25
22351-030010	1	27
22351-060012	1	26
	7	25
	8	25
22414-160100	33	22
22414-250150	33	8
22512-070140	14	4
	15	5
22512-070160	15	16
22717-410160	41	33
	42	36
22724-800380	34	63
23000-013000	10	31
	11	1 D
	24	8
		8 -1
	31	17 -1
23000-016000	31	15 -1

Parts No.	Fig. No.	Ref. No.
23000-016000	31	25
23000-019000	31	15 -2
23000-022000	23	17
		30
23000-025000	9	15 -1
	18	18
23000-035000	11	16
		27
	23	14
		21
		26
	24	17
23000-041000	25	13
23000-054000	11	12
	13	11
23000-070000	13	12
23010-013000	22	36
23010-014000	32	5
23061-070300	1	31
	11	6
	22	29
	23	15
23072-040300	23	18
		29
23072-101000	25	12
23080-008000	22	30
23080-013000	31	15
23297-160081	9	16
23297-180081	38	4 -1
	39	5 -1
23387-040800	10	32
23414-080000	2	10
	10	11
		33
23414-100000	1	12
	10	6
	18	19
23414-120000	1	41
	31	16
		23
23414-130000	11	21 B
		34
23414-160000	5	20
		27
		46
23414-160021	5	4
23414-170000	22	6
		6 -1
		22
		22 -1

Parts No.	Fig. No.	Ref. No.
23414-180000	19	16
23414-200000	17	31
	18	8
		24
	56	14
23831-100000	5	28
23857-030000	1	33
23857-150000	17	32
	18	9
	56	15
23875-010000	38	12 A
	39	14 A
23875-030000	5	1 E
	21	5 -1
23876-010000	1	6
	13	23
	38	11
	39	13
23876-020000	7	10
	8	10
	19	11
23876-030000	1	16
	7	11
	8	11
	24	9
23887-100002	1	13
	10	8 -1
23887-120002	1	42
23887-160002	5	5
23887-200002	18	25
23893-020002	11	21 A
		33
23893-030002	22	23 -1
23894-030002	22	5
		5 -1
		23
24311-000060	25	11
24311-000120	9	12
24311-000160	2	5 -1
24311-000320	9	20
24314-000180	18	20
24321-000800	17	9
		22
	56	8
24321-001000	22	21
24341-000500	9	9
	28	9
24358-240310	21	4 -3
25132-004600	21	7
26013-080142	15	22 -1

Parts No.	Fig. No.	Ref. No.
26022-050162	33	9
26106-060082	38	16
	39	18
26106-060102	21	8
		8 -1
	24	10
	30	23
		23 -1
26106-060122	10	24
	21	24
26106-060142	21	6 G
26106-060162	18	10
		21
	33	23
	38	16 -2
26106-060202	21	6 H
	30	20
		20 -1
		20 -2
		26
	38	16 -1
26106-060322	34	37
26106-060402	34	38
26106-080122	2	11
	5	21
		39
	10	10 -1
	19	21 -1
	30	21
	33	10
26106-080142	14	14
	17	13
	19	21
	39	8
	56	17
26106-080162	2	11 -1
		11 B
		12
	5	22
		40
	7	48
		50
	8	48
	9	10
	15	17
		19
		22
	17	14
	20	23
		26

Parts No. Index

Parts No.	Fig. No.	Ref. No.
26106-080162	22	25
	23	16
	38	7
	56	18
26106-080182	23	35
		40
26106-080202	10	7
	13	13
		14
		20
	15	17 -1
		24
		27
	19	17
26106-080252	38	7 -1
	5	6
		6 -1
		7
		8
	7	45
	8	45
	15	29
	17	10
		15
		23
	20	23 -1
		26 -1
	21	16
	22	24
	35	25
	36	28
	37	25
	56	9
		19
	58	14
26106-08025262	31	26
26106-080302	13	8
	17	11
		24
	56	10
26106-080352	11	29
	19	22
26106-080402	5	9
	10	15
26106-080452	2	13
	5	9 -1
26106-080502	7	46
	8	46
	13	15
	19	18

Parts No.	Fig. No.	Ref. No.
26106-080502	21	17
26106-080552	2	14
		21
		9
26106-080602	21	10
26106-080652	21	11
	28	10
	36	29
	37	28
	55	11
	58	15
26106-080702	5	10
26106-080752	28	11
26106-080852	2	15
26106-100122	10	8
26106-100162	10	25
	38	17
	39	19
	28	12
26106-100182	4	5
26106-100202	23	36
		41
	28	12 -1
		13 -1
26106-100222	4	5 -1
	5	23 -1
		47 -1
	28	13
26106-100252	5	11
		23
		47
	18	23
26106-100302	3	4
	36	31
	37	26
	46	9
26106-100322	47	1
		7
		12
		16
26106-100352	46	16
26106-100752	36	32
	37	27
26116-060142	21	6 I
	21	6 I-1
26116-060162	21	6 I-2
26116-080302	25	14
26116-080804	55	12
26116-082002	13	16
26116-101202	35	26
	36	30

Parts No.	Fig. No.	Ref. No.
26116-120302	4	6
	34	61
26206-100302	3	4 -1
26216-060202	7	14
	8	52
26216-080182	2	16
26216-080222	7	23
	8	23
26216-080282	28	14
26216-100352	31	10
26226-080182	7	44
	8	44
26226-100222	46	10
26226-100252	46	10 -1
		17
26306-080002	9	17
	10	9
	13	17
	20	24
		27
	22	31
	28	15
		16
	33	24
26306-100002	31	11
26366-060002	30	22
		22 -1
		22 -2
		22 -3
		27
26366-080002	5	24
		41
	9	17 -1
	13	17 -1
	20	24 -1
	22	31 -1
	31	11 -1
	55	13
26367-060002	7	51
	8	51
26450-060252	19	4
26450-080162	22	25 I
26450-120402	47	11
26476-060142	10	4
26557-050082	33	25
26557-050202	5	42
26577-060142	21	6 G-1
26664-080002	25	7
26703-080002	11	7
		18

Parts No.	Fig. No.	Ref. No.
26703-080002	11	30
	25	15
26706-100002	46	11 -1
	47	2
		8
		13
		17
26716-050002	40	6
	55	3
26716-060002	10	26
26716-080002	10	27
	31	12 -1
	39	9
	55	14
26716-100002	31	12
	35	27
	36	25
	46	11
		18
26716-120002	48	12
26756-060002	18	11
26756-080002	7	33
	8	33
	34	67
	47	3
	55	4
27225-100140	1	28
27231-500000	1	9
27241-120000	1	14
27241-220000	7	12
	8	12
27241-280000	22	4
		4 -1
27241-300000	1	4
27241-400000	7	13
	8	13
27310-080001	7	19
	8	19
27730-301400	33	14 -1
29622-250001	10	38
	38	1 -1
41710-000380	33	14
41710-000410	5	43
	33	11
		26
41730-000681	33	13
43530-500570	23	22
43580-500680	38	12
	39	14
43662-025030	23	23

Parts No. Index

Parts No.	Fig. No.	Ref. No.
43662-025031	23	23 -1
43720-001220	19	24
43730-552161	13	12 -1
46150-003610	41	10
46150-003620	42	9
48110-032411	47	4
729150-23600	16	19
729402-11650	7	40
	8	40
729573-23700	16	15
729672-11000	7	1 -1
729672-11700	7	1
729672-53100	29	1 -1
729673-53100	29	15 -1
729692-22510	16	3
		9
729692-53100	29	1
		15
729693-01560	1	1
729693-11050	8	1 -1
729693-11700	8	1
83213-003012	32	7
977780-01200	27	1
977780-01210	26	1
977780-01211	26	1 -1
	27	1 -1
	57	1
977780-01230	26	2
	27	2
977780-01240	27	3
977780-01250	26	3
977780-03000	26	9
	27	9
	57	9
X0044021509	26	7
	27	7
	57	7
X01357681	20	18
X0146531	20	4
X0318101004	57	2
X0505526	20	13
X0506590	20	9
X0508129	20	10
X0519503	20	12
X0529105	20	14
X0529530	20	15
X0534130	20	19
X053421	20	16
X055110236A0	42	5 -1
X1466584820	28	8

Parts No.	Fig. No.	Ref. No.
X158606410X	57	3
X179100011X	27	5
X179100021X	26	5
X179100022X	57	5
X179100100X	26	6
	27	6
	57	6
X199903800X	26	8
	27	8
X199906101X	57	8
X2114255110	34	6
X2114535200	34	49
X2114555500	34	33
X2114955020	34	34
X2130350900	34	7
X2240410100	34	35
X6201NC	37	3
X6203BM	35	16
X6303BM	37	16
X6303BM0000	36	18
X8636008003	26	4
	27	4
X8636015001	57	4
XL12013262	35	9
XL13513134	35	12
XL15014042	35	15
XL15018015	35	18
XL1501810	35	19
	37	20
XL15028001	35	20
	37	17
XL150M14041	36	17
	37	15
XL15542001	35	4
XL1556315	37	7
XL15571001	35	2
XL155G1315	35	7
XL155G1330	36	8
XL155G6300	35	5
XL1801200	37	4
XL180120000	36	4
XL1801335	37	9
XL18018015	37	19
XL1805100	37	2
XL1805301	37	6
XL1805500	37	18
XL1808320	37	13
XL180832000	36	13
XL1809300	37	5
XL180G13012	36	6

Parts No.	Fig. No.	Ref. No.
XL180G43150	36	7
XL180G61000	36	2
XL180G63006	36	5
XL180G85001	36	20
XL2251318	37	11
XL2253320	35	13
XL2253400	35	14
XL225431800	36	11
XL22553012	35	6
XL2255320	37	8
XL2255330	35	8
XL225G1325	36	9
XL225G6500	35	17
XL23534011	37	14
XL235340110	36	16
XL2554318	35	11
XN131108	12	8
		31
XNB131008	12	5
		28
XNB133206	12	17 A
		40 A
XNB133208	12	17 B
		40 B
XNB134007	12	11
		34
XNE923383	12	16
		39
XNE924970	12	10
		33
XNE928726	12	13
XNN131008	12	6
		29
XNN131536	12	7
		30
XNN131570	12	2
		25
XNN131578	12	3
		26
XNN131579	12	4
		27
XNN133022	12	18
		41
XNN133208	12	17
		40
XNN133506	12	19
		42
XNN133596	12	20
		43
XNN134035	12	12

Parts No.	Fig. No.	Ref. No.
XNN134035	12	35
XNN136616	12	9
		32
XNN137007	12	14
		37
XNN137055	12	23
		38 A
XNN137423	12	15
		38
XNN139666	12	36
XTR1Z63	35	10
	37	10
XTST25S001	25	2
XTST25S002	25	3
XTST25S003	25	4
XTST25S004	25	5
XTST25S005	25	6
XTST25S007	25	8
XTST25S008	25	9
XTST25S009	25	10
XYM0234001N	45	36