

Job Name:	
System Reference:	Date:



Outdoor Unit: MXZ-3C24NA2

### ACCESSORIES

- 3/8" x 1/2" Port Adapter (MAC-A454JP-E)
- 1/2" x 3/8" Port Adapter (MAC-A455JP-E)
- 1/2" x 5/8" Port Adapter (MAC-A456JP-E)
- M-NET Adapter (PAC-IF01MNT-E)
- Base Heater (PAC-645BH-E)

(For data on specific indoor units, see the MXZ-C Technical and Service Manual.)

Specifications			Model Name
Unit Type			MXZ-3C24NA2
Cooling* (Non-ducted / Ducted)	Rated Capacity	Btu/h	22,000 / 23,600
	Capacity Range	Btu/h	12,600-22,000 / 12,600-25,500
	Rated Total Input	W	1,620 / 2,100
Heating at 47°F* (Non-ducted / Ducted)	Rated Capacity	Btu/h	25,000 / 24,600
	Capacity Range	Btu/h	11,400-30,600 / 11,400-29,400
	Rated Total Input	W	1,750 / 1,900
Heating at 17°F* (Non-ducted/Ducted)	Rated Capacity	Btu/h	14,000 / 14,000
	Rated Total Input	W	2,120 / 2,230
Energy Star® (ENERGY STAR products are third-party certified by an EPA-recognized Certification Body.)			Yes
Electrical Requirements	Power Supply	Voltage, Phase, Hertz	208 / 230V, 1-Phase, 60 Hz
	Recommended Fuse/Breaker Size	A	25
	MCA	A	22.1
Voltage	Indoor - Outdoor S1-S2	V	AC 208 / 230
	Indoor - Outdoor S2-S3	V	DC ±24
Compressor			INVERTER-driven Scroll Hermetic
Fan Motor (ECM)		F.L.A.	2.43
Sound Pressure Level (Non-ducted/Ducted)	Cooling		51
	Heating		55
External Dimensions (H x W x D)		In (mm)	31-11/32 x 37-13/32 x 13 (796 x 950 x 330)
Net Weight		Lbs (kg)	137 (62)
External Finish			Munsell 3.0Y 7.8/1.1
Refrigerant Pipe Size O.D. — Eight Ports	Liquid (High Pressure)	In (mm)	1/4 (6.35)
	Gas (Low Pressure)		A Port: 1/2 (12.7) ; Other: 3/8 (9.52)
Max. Refrigerant Line Length		Ft (m)	230 (70)
Max. Piping Length for Each Indoor Unit		Ft (m)	82 (25)
Max. Refrigerant Pipe Height Difference	If IDU is Above ODU	Ft (m)	49 (15)
	If IDU is Below ODU		49 (15)
Connection Method			Flared/Flared
Refrigerant			R410A

\* Rating Conditions per AHRI Standard:

Cooling | Indoor: 80° F (27° C) DB / 67° F (19° C) WB  
Cooling | Outdoor: 95° F (35° C) DB / 23.9° C (75° F) WB

Heating at 47°F | Indoor: 70° F (21° C) DB / 60° F (16° C) WB  
Heating at 47°F | Outdoor: 47° F (8° C) DB / 43° F (6° C) WB

Heating at 17° F | Indoor: 70° F (21° C) DB  
Heating at 17° F | Outdoor: 17° F (-8° C) DB / 15° F (-9° C) WB

# SPECIFICATIONS: MXZ-3C24NA2

**OPERATING RANGE:**

	Outdoor
Cooling	14 to 115° F (-10 to 46° C) DB
Heating	5 to 65° F (-15 to 18° C) WB

**ENERGY EFFICIENCIES:**

Indoor Unit Type	SEER	EER	HSPF	COP @ 47°F	COP @ 17°F
<b>Non-ducted (06 + 06 + 09)</b>	20.0	13.6	9.8	4.2	2.97
<b>Ducted and Non-ducted</b>	18.0	12.4	9.5	4.0	2.79
<b>Ducted (09 + 09 + 09)</b>	16.0	11.2	9.2	3.8	2.61

**NOTES:**

- Minimum of two Indoor Units must be connected to the MXZ-3C24NA2.
- Minimum installed capacity cannot be less than 12,000 Btu/h.
- Total connected capacity must not exceed 130% of outdoor unit capacity.
- System can operate with only one Indoor Unit turned on.
- Information provided at 208/230V.
- For Reference:
  - MXZ-C Technical & Service Manual for detailed specifications and additional information per Indoor Unit Combination.
  - MXZ Series Multi-Zone Indoor/Outdoor Combination Table for allowed unit combinations.

**MVZ CONNECTION RULES:**

- Only 1 MVZ may be used on any system.
- When an MVZ is connected, total connected capacity must be 100% or less.
- When an MVZ is connected, no P-Series indoor units can be used (PCA, PLA, or PEAD).

Notes:

# MXZ-3C24NA2 OPERATIONAL PERFORMANCE

**DUCTED:**

Operational Performance for Indoor Unit Combinations (Unit A + Unit B + Unit C)	Cooling Capacity Range (Btu/h)			Power Usage Range (W)	Current (208/230V)
	Heating Capacity Range (Btu/h)				
	Unit A	Unit B	Unit C		
9	9000	0	0	TBD	
	10900	0	0		
12	12000	0	0		
	13600	0	0		
15	15000	0	0		
	18000	0	0		
18	17200	0	0		
	21600	0	0		
9 + 9	9000	9000	0		
	10900	10900	0		
9 + 12	9000	12000	0		
	9429	12571	0		
9 + 15	8175	13625	0		
	9000	15000	0		
9 + 18	7267	14533	0		
	8000	16000	0		
12 + 12	10900	10900	0		
	12000	12000	0		
12 + 15	9689	12111	0		
	10667	13333	0		
9 + 9 + 9	7867	7867	7867		
	8200	8200	8200		

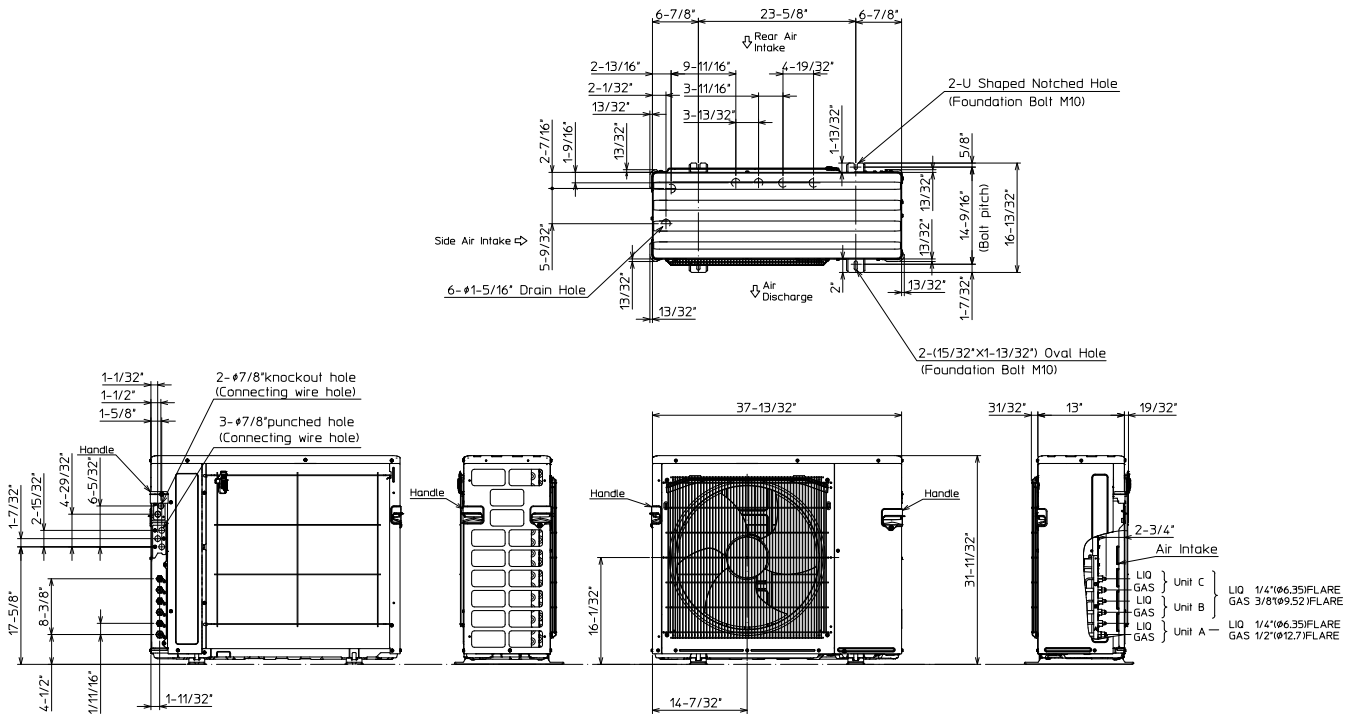
# MXZ-3C24NA2 OPERATIONAL PERFORMANCE, contd.

**NON-DUCTED:**

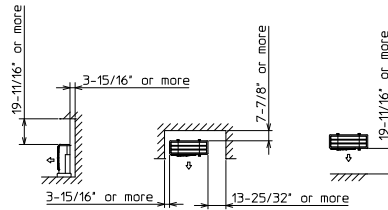
Operational Performance for Indoor Unit Combinations (Unit A + Unit B + Unit C)	Cooling Capacity Range (Btu/h)			Power Usage Range (W)	Current (208/230V)
	Heating Capacity Range (Btu/h)				
	Unit A	Unit B	Unit C		
6	6000	0	0	TBD	
	7400	0	0		
9	9000	0	0		
	11000	0	0		
12	12000	0	0		
	14400	0	0		
15	14000	0	0		
	18000	0	0		
18	17200	0	0		
	21600	0	0		
6 + 6	6000	6000	0		
	7400	7400	0		
6 + 9	6000	9000	0		
	7360	11040	0		
6 + 12	6000	12000	0		
	7333	14667	0		
6 + 15	5714	14286	0		
	6286	15714	0		
6 + 18	5450	16350	0		
	6000	18000	0		
9 + 9	9000	9000	0		
	11000	11000	0		
9 + 12	8571	11429	0		
	9429	12571	0		
9 + 15	8175	13625	0		
	9000	15000	0		
9 + 18	7267	14533	0		
	8000	16000	0		
12 + 12	10900	10900	0		
	12000	12000	0		
12 + 15	9689	12111	0		
	10667	13333	0		
6 + 6 + 6	6000	6000	6000		
	7400	7400	7400		
6 + 6 + 9	6000	6000	9000		
	7086	7086	10629		
6 + 6 + 12	5500	5500	11000		
	6250	6250	12500		
6 + 6 + 15	5333	5333	13333		
	5556	5556	13889		
6 + 9 + 9	5500	8250	8250		
	6250	9375	9375		
6 + 9 + 12	5333	8000	10667		
	5556	8333	11111		
9 + 9 + 9	8000	8000	8000		
	8333	8333	8333		

# DIMENSIONS: MXZ-3C24NA2

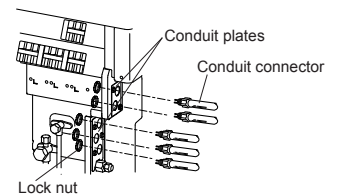
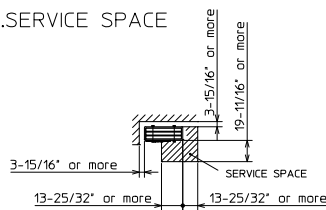
Unit: inch (mm)



## 1.FREE SPACE



## 2.SERVICE SPACE



COOLING & HEATING

1340 Satellite Boulevard, Suwanee, GA 30024  
Toll Free: 800-433-4822 www.mehvac.com

