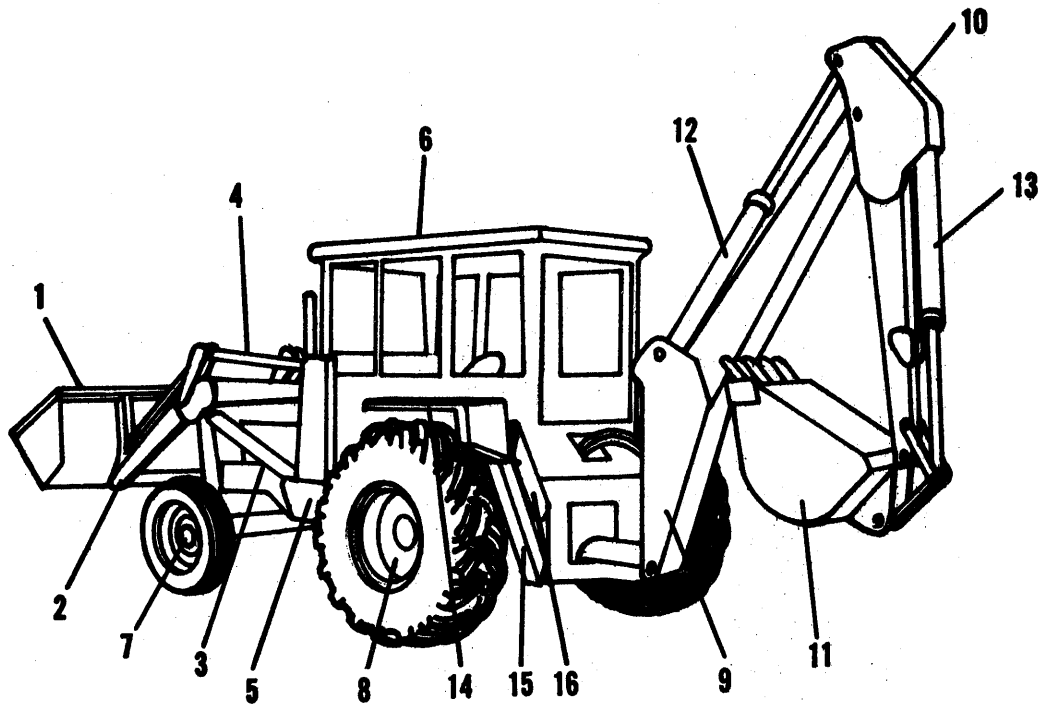




**PARTS CATALOG**  
**MODEL 918**  
**TRACTOR**  
**LOADER-BACKHOE**



## GENERAL DESCRIPTION



1. LOADER BUCKET
2. LOADER LIFT ARMS
3. LOADER LIFT CYLINDER
4. LOADER DUMP CYLINDER
5. LOADER-BACKHOE FRAME
6. CAB
7. FRONT AXLE & TIRE
8. REAR AXLE & TIRE

9. BACKHOE BOOM
10. BACKHOE DIPPERSTICK
11. BACKHOE BUCKET
12. BACKHOE DIPPER CYLINDER
13. BACKHOE BUCKET CYLINDER
14. TRACTOR FENDERS
15. BACKHOE STABILIZER
16. BACKHOE STABILIZER CYLINDER

## FOREWORD

The parts in this catalog are listed in alphabetical order and are located at the front of this catalog.

Except for some common hardware all parts are identified with an item number. Common hardware not identified such as bolts, nuts, cotter pins and lubrication fittings, are listed in the text under the part which they attach or fit into. Note particularly that the quantity of hardware listed is always the quantity required for one part.

Common attaching hardware listed under a part is not included in the assembly or included with the part unless specified. Example: (Incl. Bolt, Lock-washer and Nut).

"Assembly or Packaged Parts" indicates if an individual part is one of many in a large assembly or one of several kinds in a package.

All numbers are listed in the second last section of this catalog showing the quantity and description of the various parts that make up the assembly or package.

The last section of this catalog contains a part number index to indicate on which page or pages a part number appears.

All illustrations will be found to follow the text of each group or section of which it is a part.

For any additional copies of this catalog there will be a supplementing service charge of three dollars. Refer any requests to your Branch House or office under which you operate.

## HOW TO ORDER PARTS

Order all parts for this machine from your local ALLIS-CHALMERS Dealer.

When ordering parts for this unit, supply the following information:

1. The tractor and engine serial numbers.
2. The model or name of the unit and its serial number.
3. State the common name of the part you wish to order, or a description of the part and its location on the unit, or bring in old part.

4. Always print your name and post office address, where parts are to be shipped; also specify whether material is to be shipped by freight, express or parcel post.

5. When ordering parts always determine right hand and left hand from a position in the operators seat facing the direction of forward travel. On Backhoe Units Right and Left is determined by facing the Backhoe from the operator seat.

## IMPORTANT

Unless claims for shortages or errors are made immediately upon receipt of goods, they will not be considered.

When broken goods are received, a full description of the damage should be made by the carrier agent on the freight bill. If this description is insisted upon full damage can always be collected from the transportation company.

No responsibility is assumed for delay or damage to merchandise while in transit. Our responsibility

ceases upon delivery of shipment to the transportation company, from whom a receipt is received showing that shipment was in good condition when delivered to them; therefore claims (if any) should be filed with the transportation company and not with Allis-Chalmers Manufacturing Company.

The right is reserved to change the construction or material of any parts where it seems desirable to do so, without incurring the obligation of installing such changes on units already delivered.

INDEX

<b>AIR CLEANER</b> . . . . .	42	<b>BACKHOE: (Continued)</b>	
<b>AIR FILTER INDICATOR</b> . . . . .	52	Link, swing . . . . .	126
<b>AIR HEATER</b> . . . . .	24	Link, swing guide . . . . .	126
<b>ASSEMBLIES &amp; PACKAGED PARTS</b> . . . . .	146	Linkage Assy., bucket . . . . .	122
<b>ATTACHMENTS:</b>		Shoe, stabilizer . . . . .	124
<b>Buckets:</b>		Stabilizers . . . . .	124
Backhoe . . . . .	134	Swing Frame . . . . .	126
Loader . . . . .	114	<b>CONSOLE SHELL</b> . . . . .	74
<b>Bucket Teeth:</b>		<b>ELECTRICAL:</b>	
Backhoe . . . . .	134	Battery . . . . .	40
Loader . . . . .	114	Battery Box . . . . .	40
<b>Cab</b> . . . . .	140	Electric Shut-off . . . . .	30
Heater . . . . .	144	Electrical Starting . . . . .	40
Heater & Defroster Kit . . . . .	144	Generator . . . . .	38,40
Light Group . . . . .	138	Heater Switch . . . . .	24
Flasher . . . . .	136	Instrument Panel . . . . .	50
Lamps . . . . .	136	Air Filter Indicator . . . . .	50
Switch . . . . .	136	Ammeter Assy.. . . . .	50
Wires . . . . .	136	Converter Temp. Gauge . . . . .	50
Windshield Washer . . . . .	142	Dash Lamp . . . . .	50
Work Light Package . . . . .	136	Fuel Gauge Assy. . . . .	50
Lamps . . . . .	136	Fuse . . . . .	50
Switch . . . . .	136	Key . . . . .	50
Wires . . . . .	136	Light Assy., indicator . . . . .	50
Ether Starting System . . . . .	42	Lighting Switch . . . . .	50
Kit, four pinion conversion . . . . .	66	Switch . . . . .	50
Kit, stabilizer (For Reversing) . . . . .	124	Tach-hour Meter . . . . .	50
Street Pad . . . . .	124	Water Temp. Gauge . . . . .	50
Vandalism Cover . . . . .	46	Pulley . . . . .	38
Weights . . . . .	46	Starting Motor . . . . .	36
<b>AXLE ASSEMBLY:</b>		Voltage Regulator . . . . .	40
Brake Assy. . . . .	68	Wiring Group:	
Drum . . . . .	68	Sending Unit:	
Differential . . . . .	66	Fuel . . . . .	80, 82
Carrier . . . . .	66	Temperature. . . . .	20
Gear, ring . . . . .	66	Wiring Harnesses	
Gear, side . . . . .	66	Instrument Panel . . . . .	50
Shaft . . . . .	66	<b>ENGINE</b> . . . . .	6
Spider . . . . .	66	Adapter Plate . . . . .	8
Final Drive . . . . .	68	Breather Tube . . . . .	12
Rear Axle . . . . .	68	Camshaft . . . . .	10
Gear, final drive . . . . .	68	Connecting Rod . . . . .	10
Shaft w/Pinion . . . . .	68	Crankshaft . . . . .	8
<b>BACKHOE:</b>		Cylinder Block . . . . .	6
Arm Assembly, bucket. . . . .	122	Cylinder Head . . . . .	12
Boom . . . . .	120	Drain Plug . . . . .	16
Control Handles . . . . .	128	Exhaust Manifold. . . . .	22
Dipperstick . . . . .	122	Exhaust Valve . . . . .	12
		Fan Belt . . . . .	20
		Fan Blade. . . . .	20

## INDEX

## ENGINE: (Continued)

Flywheel . . . . .	8
Front Plate & Gear Cover . . . . .	14
Fuel Filter . . . . .	28
Fuel Injection Pump & Drive . . . . .	30
Gear, injection pump . . . . .	30
Housing & Drive . . . . .	32
Shaft, drive . . . . .	32
Transfer Pump, head & rotor . . . . .	34
Gear:	
Camshaft . . . . .	10
Crankshaft . . . . .	8
Oil Pump . . . . .	18
Pump Drive . . . . .	16
Ring, flywheel . . . . .	8
Gauge, oil level . . . . .	6
Hydraulic Housing & Gear . . . . .	16
Idler Gear Assy. . . . .	14
Inspection Plate . . . . .	14
Intake Manifold . . . . .	22
Intake Valve . . . . .	12
Nozzle Holder & Injection Lines . . . . .	26
Nozzle Holder Assembly . . . . .	26
Oil Filter . . . . .	16
Oil Pan . . . . .	16
Oil Pump . . . . .	18
Piston . . . . .	10
Primer Pump & Lines . . . . .	28
Hand Primer Pump Assy . . . . .	30
Pulley . . . . .	8, 20
Roller Arm . . . . .	10
Shaft, idler gear . . . . .	14
Shaft, rocker arm . . . . .	10
Thermostat & Housing . . . . .	20
Timing Cover . . . . .	14
Valve Lifters . . . . .	10
Valve Operating Mechanism . . . . .	10
Water Pump . . . . .	20

FOOT ACCELERATOR . . . . . 76

FORWARD . . . . . 2

FRONT SUPPORT . . . . . 46

FUEL TANK . . . . . 80

GENERAL DESCRIPTION . . . . . 1

GRILLE . . . . . 46

HOOD . . . . . 46

    Hood Support, rear . . . . . 48

## HYDRAULICS:

    Backhoe . . . . . 102

## HYDRAULICS: (Continued)

## Backhoe (Continued)

Cylinders:	
Boom . . . . .	120, 130
Bucket . . . . .	122, 134
Dipper . . . . .	120, 130
Stabilizer . . . . .	124, 132
Swing . . . . .	126, 132
Tubes . . . . .	120
Valve . . . . .	102, 108
Valve, swing . . . . .	104, 110
Valve, swing cushion . . . . .	126
Filter, fuel tank . . . . .	80
Intake Tube . . . . .	88

## Loader:

Breather . . . . .	112
Bucket Indicator . . . . .	102
Cylinders:	
Bucket . . . . .	102, 118
Lift . . . . .	102, 118
Filter . . . . .	102, 110
Strainer & Magnet . . . . .	104
Valve . . . . .	102, 106
Manifold, pump . . . . .	86
Power Steering:	
Control Valve . . . . .	48
Lines, oil cooler . . . . .	94
Lines, power steering . . . . .	90
Oil Cooler . . . . .	94
Pump . . . . .	90
Ram . . . . .	90, 92
Valve . . . . .	90, 92
Pump, front dual . . . . .	100
Pump, primer . . . . .	80
Pump, single . . . . .	86
Strainer . . . . .	88
Sump Cover . . . . .	88
Valve, shut-off . . . . .	80

## LOADER:

Control Handles . . . . .	116
Lift Arms . . . . .	114
Levers, tilt . . . . .	114
Links . . . . .	114

## MAINFRAME, loader-backhoe

Floorboard . . . . .	112
Panel, front . . . . .	112
Plate, rear axle . . . . .	112
Tank Support . . . . .	112
Tie Assy., lower . . . . .	112
Tie Assy., top . . . . .	112

NUMERICAL INDEX . . . . . 152

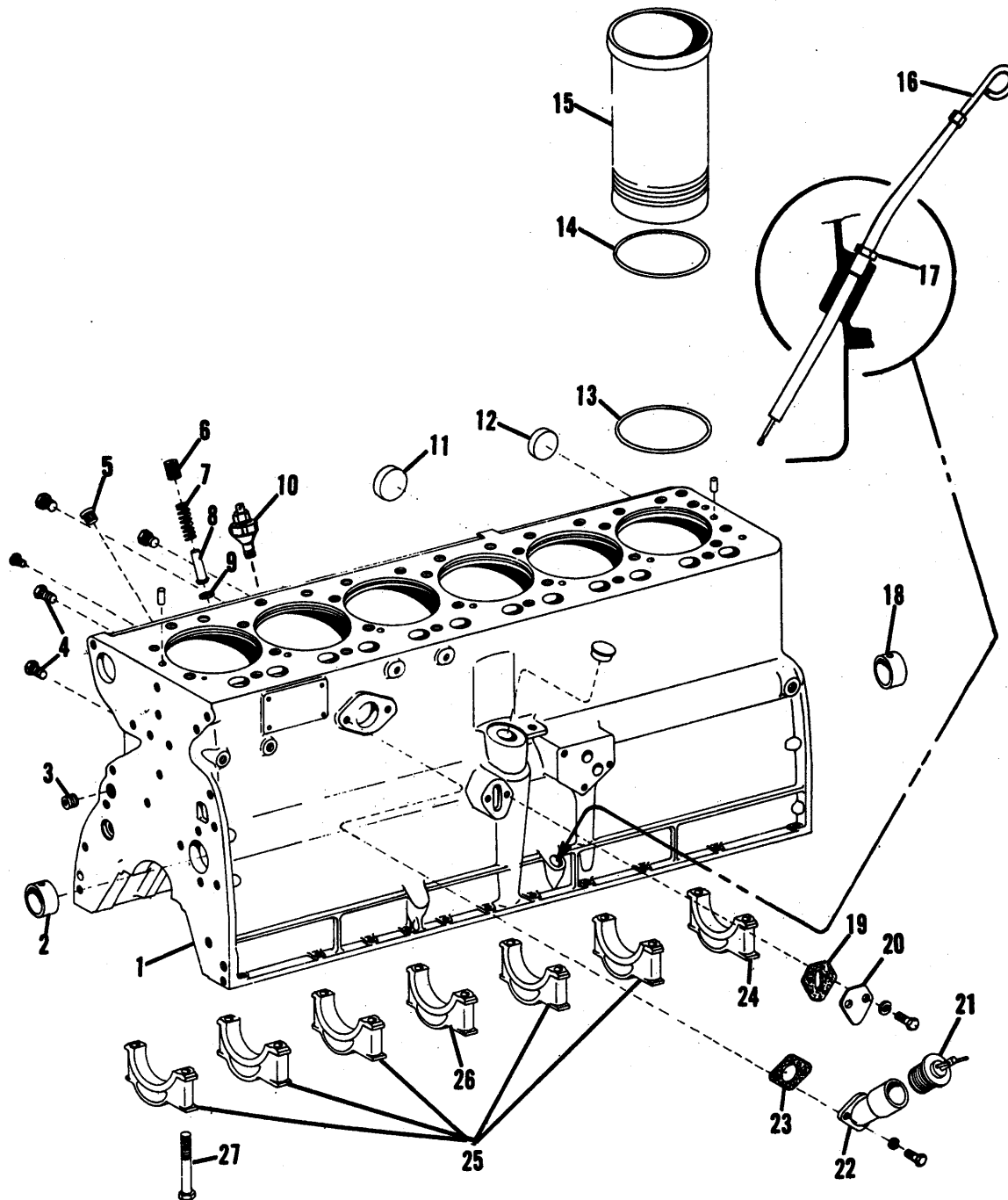
## INDEX

<b>PARKING BRAKE LOCK</b> . . . . .	70	<b>TRANSMISSION (Continued)</b>	
Lever . . . . .	70	<b>Gears (Continued)</b>	
Pawl . . . . .	70	2nd Main Shaft . . . . .	60
<b>PLATFORM</b> . . . . .	72	3rd Counter Shaft . . . . .	62
<b>RADIATOR &amp; SUPPORTS</b> . . . . .	44	3rd Main Shaft . . . . .	60
<b>RADIATOR SHELL</b> . . . . .	46	Reverse Counter Shaft . . . . .	62
<b>SEAT</b> . . . . .	78	Sliding Main Shaft . . . . .	60
<b>SEAT SUPPORT</b> . . . . .	78	Turbine Drive . . . . .	56
<b>SHUTTLE CLUTCH</b>		Gear Shift Linkage . . . . .	64
Bellcrank . . . . .	74	Housing . . . . .	60
Control . . . . .	74	Input Shaft . . . . .	62
Foot Pedals . . . . .	76	Idler Shaft & Gear . . . . .	56
Levers . . . . .	74	Intermediate Shaft & Gear . . . . .	54
Lines . . . . .	94	Main Shaft . . . . .	60
Manifold . . . . .	96, 98	Oil Level Gauge Assy. . . . .	60
Oil Filter . . . . .	94	Turbine Input Shaft . . . . .	56
Relief Valve . . . . .	98	<b>UNIVERSAL JOINT ASSEMBLY</b> . . . . .	100
Sump & Manifold Lines . . . . .	96, 98	<b>WHEELS:</b>	
Valve . . . . .	74, 96	Rear . . . . .	72
<b>SIDE FRAME</b> . . . . .	44	Rim, rear . . . . .	72
<b>STEERING:</b>		Tire & Tube . . . . .	72
Arm, spindle . . . . .	84		
Front Axle . . . . .	84		
Front Wheels . . . . .	84		
Rims . . . . .	84		
Spindle . . . . .	84		
Tie Rod . . . . .	84		
Tire & Tube . . . . .	84		
Wheel & Shaft . . . . .	48		
<b>SUMP COVER</b> . . . . .	54		
<b>TOOL BOX</b> . . . . .	78		
<b>TORQUE CONVERTER</b> . . . . .	52		
<b>TORQUE HOUSING</b> . . . . .	54		
<b>TRANSMISSION:</b>			
Breather Assy., cover . . . . .	60		
Breather Assy., differential . . . . .	60		
Clutch . . . . .	58		
Clutch Shaft . . . . .	58		
Control Cover, gear shift . . . . .	64		
Countershaft . . . . .	62		
Cover . . . . .	60		
Gears:			
1st. Main Shaft . . . . .	60		
2nd Counter Shaft . . . . .	62		

CYLINDER BLOCK

ITEM	PART NUMBER	QTY.	DESCRIPTION	ASSEMBLY OR PACKAGE NO.
1	4023709	1	BLOCK ASSY., cylinder (Incl. items 2, 4, 9, 11, 12, 17, 27 & 28. PLUGS & DOWELS listed below) (Replaces 4021859)	
		2	917547 PIN, dowel (top deck) 3/8 x 3/4	
		1	919840 PLUG, pipe, 1/4	
		2	919134 PLUG, pipe, 1/8	
		1	918850 PLUG, pipe, 1/4	
		3	920416 PLUG, pipe, 1/2	
		1	912415 COCK, drain	
		2	4020665 PLUG, pipe	
2	4025025	1	BEARING, camshaft, front (Std.)	
3	4025259	1	BEARING, camshaft, front (.010 undersize)	
4	4025392	1	PLUG, pipe, restrictor	
5	4255492	2	PLUG, pipe	
6	4362338	2	PLUG, oil gauge hole	
7	4022129	1	SCREW, oil pressure regulating	
8	4500231	1	SPRING, oil pressure regulating valve	
9	4507374	1	PISTON, oil pressure regulating valve	
10	4507673	1	INSERT, oil pressure regulating valve	
11	4021445	1	SWITCH, oil pressure sensing	
		1	907059 ELBOW, street, 1/8, 90°	
12	4255110	1	PLUG, expansion	
13	4255107	2	PLUG, expansion	
14	-----	12	O-RING, cyl. sleeve (See PISTON, CONN. ROD & SLEEVE Group)	
	4020537	*	SHIM, cylinder sleeve (.005" thick)	
	4020538	*	SHIM, cylinder sleeve (.010" thick)	
	4020539	*	SHIM, cylinder sleeve (.015" thick)	
	4020540	*	SHIM, cylinder sleeve (.020" thick)	
			(* Use as req'd. when remachining block)	
15	-----	1	SLEEVE, cyl. (See PISTON, CONN. ROD & SLEEVE Group)	
16	4022913	1	GAUGE, oil level (Replaces 4021611)	
17	4022685	1	ADAPTER ASSY., oil level gauge (Replaces 4021615)	
18	4025238	3	BEARING, camshaft, interm. & rear (Std.)	
19	4025258	3	BEARING, camshaft, interm. & rear (.010" undersize)	
20	4025019	1	GASKET, fuel pump pad . . . . . 4022051	
	4026383	1	PLATE, fuel pump pad	
		2	915809 CAPSCREW, 5/16NC x 3/4, gr. 5	
		2	904205 LOCKWASHER, 5/16	
21	4021711	1	PLUG, oil filler (Replaces 4385253)	
22	4021498	1	ELBOW, oil filler (Replaces 4020512)	
		2	916272 CAPSCREW, 3/8NC x 1-1/4, gr. 5	
		2	904206 LOCKWASHER, 3/8	
		2	922464 WASHER, plain	
23	4025021	1	GASKET, elbow, oil filler . . . . . 4022051	
24	4020382	1	CAP, rear main bearing	NOTE: Replacement bearing caps are semi-finished & must be line bored after installing.
25	4020380	5	CAP, intermed. & front main bearing	
26	4020381	1	CAP, center main bearing	
27	4020135	14	CAPSCREW, main bearing cap	
--	4022415	1	ENGINE ASSY., replacement D-2800 (Replaces 4021920)	

NOTE: Replacement Engines Do Not Include: Fan, Fan Belt, Clutch, Muffler, Air Cleaner, Starting Motor or Generator.





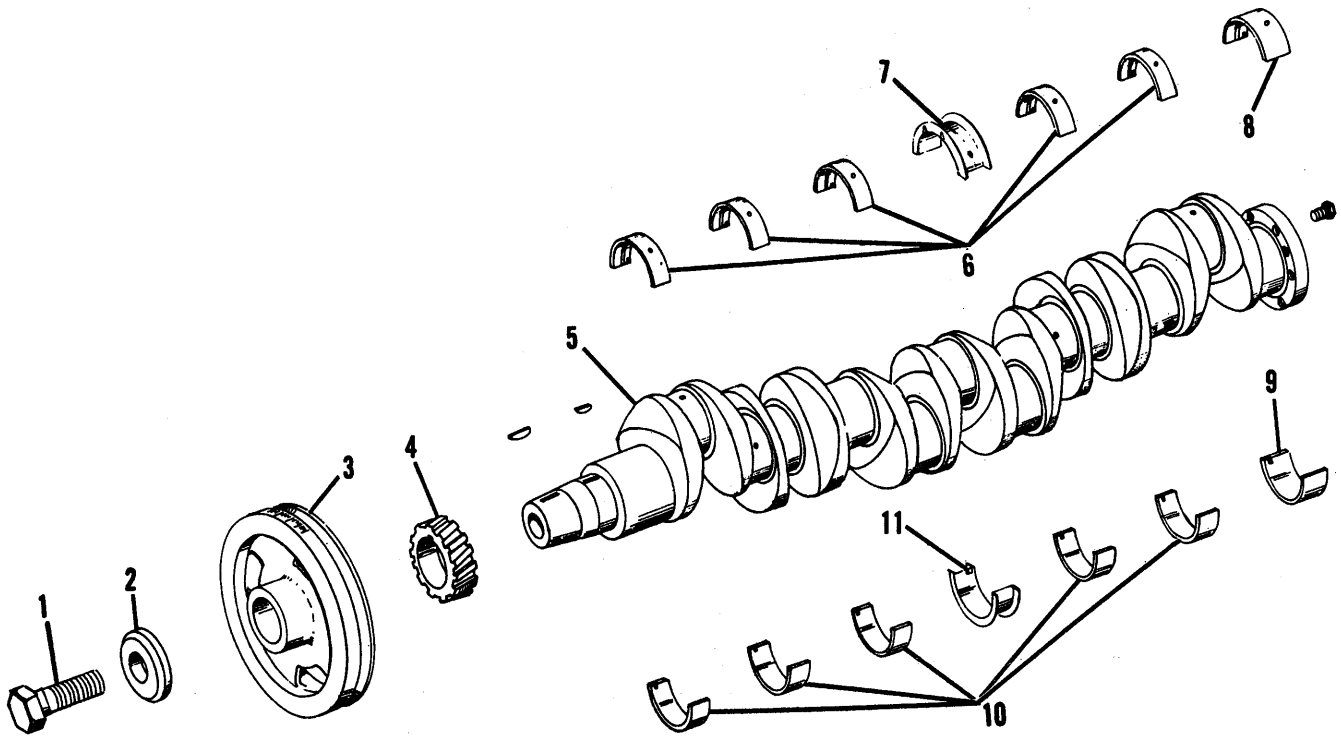
**CRANKSHAFT**

ITEM	PART NUMBER	QTY.	DESCRIPTION	ASSEMBLY OR PACKAGE NO.
1	4020148	1	CAPSCREW, pulley	
2	4020149	1	WASHER, pulley	
3	4022585	1	PULLEY, dampner & crankshaft	
		1	905845 KEY, woodruff, 1/4 x 7/8	
4	4020002	1	GEAR, crankshaft	
		1	905845 KEY, woodruff, 1/4 x 7/8	
5	4022256	1	CRANKSHAFT	
	4022083	5	BEARING, frt. & inter. upper (std.)	
	4022094	5	BEARING, frt. & inter. upper (.002) (Replaces 4020450)	
6	4022095	5	BEARING, frt. & inter. upper (.010)	
	4022096	5	BEARING, frt. & inter. upper (.020)	
	4022098	5	BEARING, frt. & inter. upper (.040)	
	4022087	1	BEARING, center, upper, std	
	4022114	1	BEARING, center, upper, (.002) (Replaces 4020470)	
7	4022115	1	BEARING, center, upper (.010)	
	4022116	1	BEARING, center, upper (.020)	
	4022118	1	BEARING, center, upper (.040)	
	4022085	1	BEARING, rear, upper (std.)	
	4022104	1	BEARING, rear, upper (.002) (Replaces 4020460)	
8	4022105	1	BEARING, rear, upper (.010)	
	4022106	1	BEARING, rear, upper (.020)	
	4022108	1	BEARING, rear, upper (.040)	
	4022086	1	BEARING, rear lower (std.)	
	4022109	1	BEARING, rear lower, (.002) (Replaces 4020465)	
9	4022110	1	BEARING, rear lower (.010)	
	4022111	1	BEARING, rear lower (.020)	
	4022113	1	BEARING, rear lower (.040)	
	4022084	5	BEARING, frt. & inter. lower (std.)	
	4022099	5	BEARING, frt. & inter. lower (.002) (Replaces 4020455)	
10	4022100	5	BEARING, frt. & inter. lower (.010)	
	4022101	5	BEARING, frt. & inter. lower (.020)	
	4022103	5	BEARING, frt. & inter. lower (.040)	
	4022088	1	BEARING, center, lower (std.)	
	4022119	1	BEARING, center, lower (.002) (Replaces 4020475)	
11	4022120	1	BEARING, center, lower (.010)	
	4022121	1	BEARING, center, lower (.020)	
	4022123	1	BEARING, center, lower (.040)	

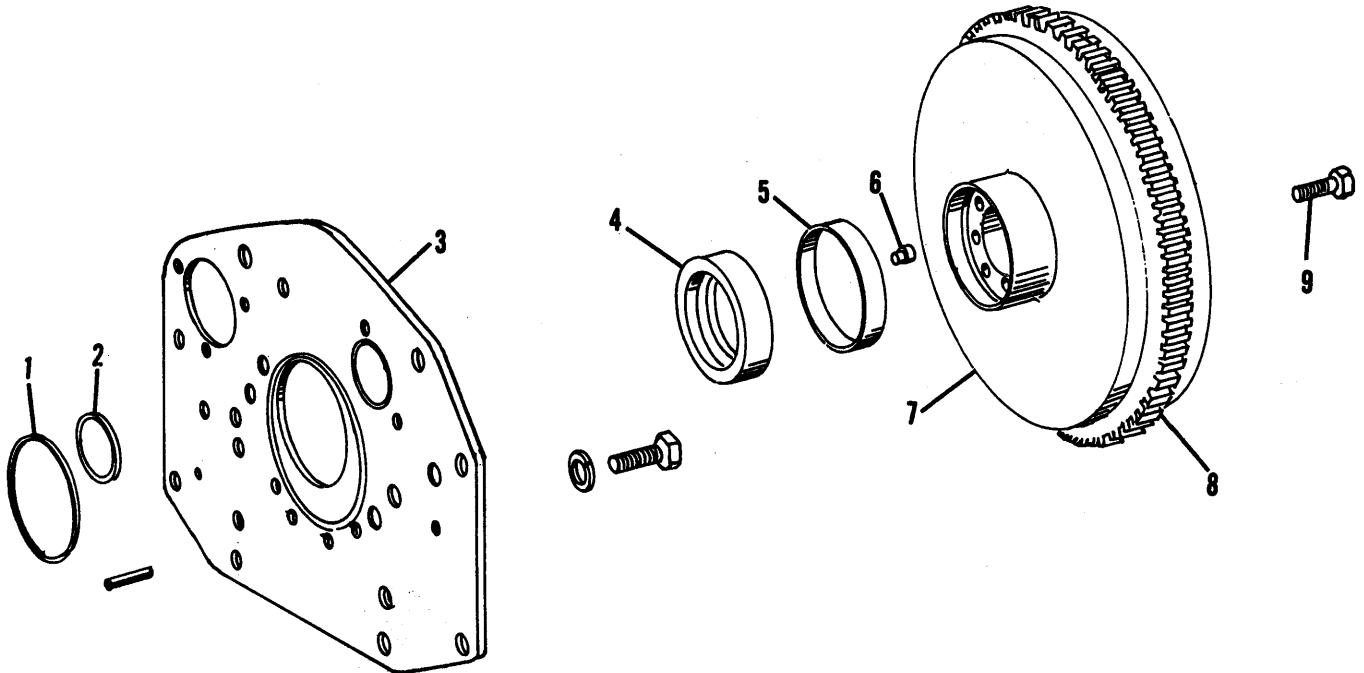
**FLYWHEEL & ADAPTER PLATE**

ITEM	PART NUMBER	QTY.	DESCRIPTION	ASSEMBLY OR PACKAGE NO.
1	4020016	1	O-RING, flywheel plate (8-1/4 ID)	.4022051
2	4020879	1	O-RING, flywheel plate (2-1/4 ID)	.4022051
3	4022125	1	PLATE, flywheel adapter	
		7	919230 CAPSCREW, 1/2NC x 1-3/8, gr. 5	
		7	904208 LOCKWASHER, 1/2	
		2	917021 PIN, dowel, 1/2 x 1	
4	4021969	1	SEAL, oil (Replaces 4020575)	
5	4516033-0	1	SLEEVE, oil seal (Replaces 4514813)	
6	4500300	2	DOWEL, flywheel	
7	4022127	1	FLYWHEEL ASSY., (Incl. item 8)	
8	4023904-8	1	GEAR, ring (Replaces 4020118)	
9	4254594	4	BOLT, flywheel	

CRANKSHAFT



FLYWHEEL & ADAPTER PLATE



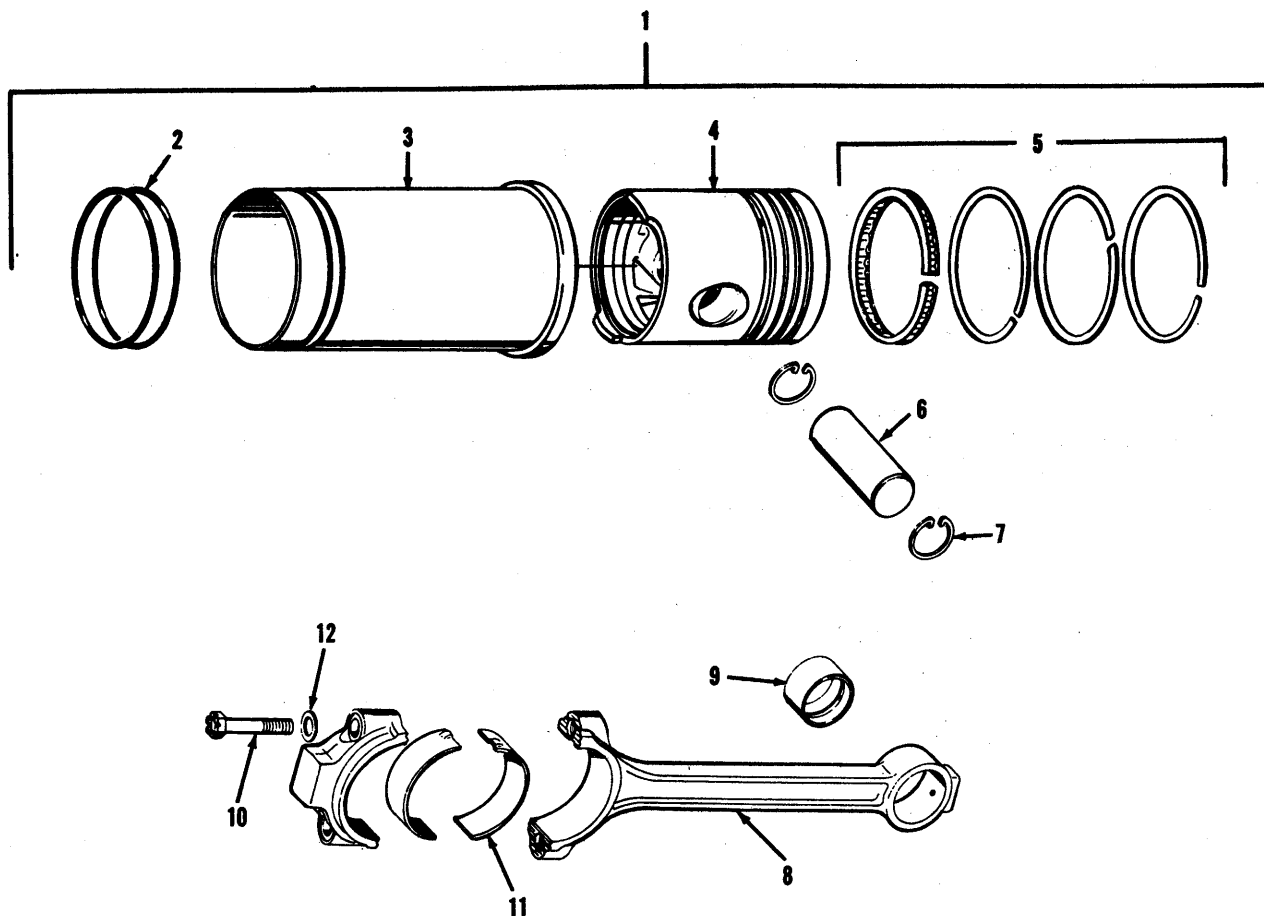
**PISTON, CONNECTING ROD & SLEEVE**

ITEM	PART NUMBER	QTY.	DESCRIPTION	ASSEMBLY OR PACKAGE NO.
1	4023865	6	SLEEVE KIT (Incl. items 2 thru 7)(Replaces 4021802)	
2	4020032	6	O-Ring, cylinder sleeve	
	4023827	6	O-RING, cylinder sleeve	
3	4023099	1	SLEEVE, cylinder (Replaces 4021596)	
4	4023926	6	PISTON (Replaces 4020738)	
5	4021796	6	RING SET, piston (Consists of 3 RINGS & EXPANDER)	
6	4020739	6	PIN, piston	
7	4253059	12	RETAINER, piston pin	
8	4022233	6	ROD ASSY., connecting (Incl. items 9 & 10)(Replaces 4020887)	
9	4020049	6	BUSHING, connecting rod	
10	4020142	12	CAPSCREW, connecting rod	
	4022082	12	BEARING, connecting rod (Std.)	
	4022089	12	BEARING, connecting rod (.002)	
11	4022090	12	BEARING, connecting rod (.010)	
	4022091	12	BEARING, connecting rod (.020)	
	4022092	12	BEARING, connecting rod (.030)	
	4022093	12	BEARING, connecting rod (.040)	
12	4020145	12	WASHER, flat, connecting rod	

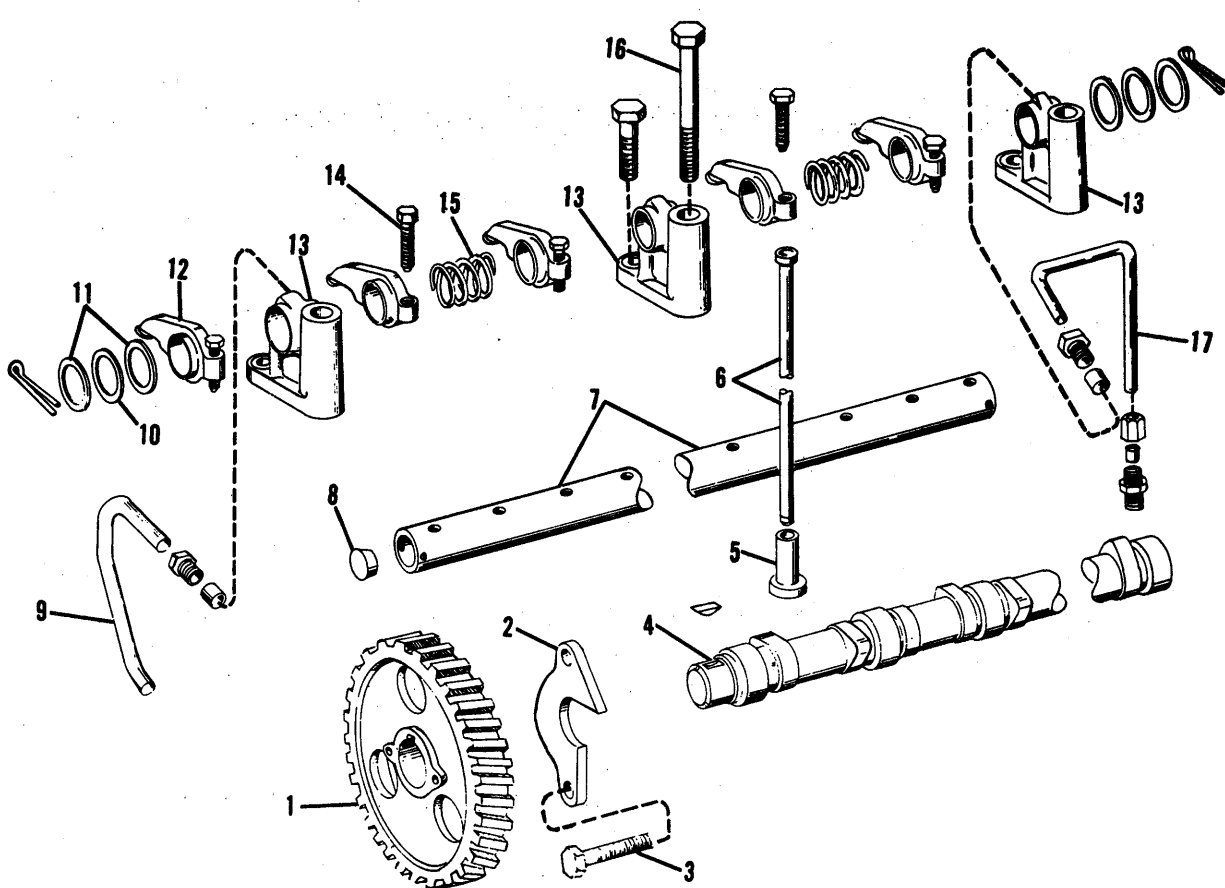
**VALVE OPERATING MECHANISM**

ITEM	PART NUMBER	QTY.	DESCRIPTION	ASSEMBLY OR PACKAGE NO.
1	4021905	1	GEAR KIT, camshaft, (Incl. GEAR & INSTRUCTION SHEET)	
		1	905126 KEY, woodruff, 1/4 x 7/8	
2	4021454	1	PLATE, thrust	
3	4254864	2	BOLT, place	
4	4021901	1	CAMSHAFT KIT (Incl. CAMSHAFT & INSTRUCTION SHEET)	
5	4026699	12	LIFTER, valve	
6	4020185	12	ROD, push	
7	4021452	1	SHAFT, rocker arm	
		2	911064 PIN, cotter, 1/8 - 1-1/2	
8	4512644	2	PLUG, rocker shaft	
9	4020359	1	TUBE, oil drain	
		1	913536 NUT, flared, 1/4	
		1	911435 SLEEVE, 1/4	
10	4025193	2	SPRING, spacer (end)	
11	4025194	4	WASHER, spacer (end)	
12	4025188	12	ARM ASSY., rocker (Incl. item 14)	
13	4020143	6	BRACKET, rocker arm	
		2	919224 CAPSCREW, 3/8NC x 1-1/8, gr. 5	
		2	904206 LOCKWASHER, 3/8	
14	4513206	12	SCREW, adjusting, rocker arm	
15	4025191	5	SPRING, rocker arm spacing	
16	-----	6	CAPSCREW (See CYLINDER HEAD Group)	
17	4020683	1	TUBE, oil feed	
		2	911435 SLEEVE, 1/4	
		1	913536 NUT, flared, 1/4 (At Bracket)	
		1	914626 CONNECTOR (At Head), 1/4 x 1/8	
		1	911437 NUT, 1/4, (At Head)	

PISTON, CONNECTING ROD & SLEEVE

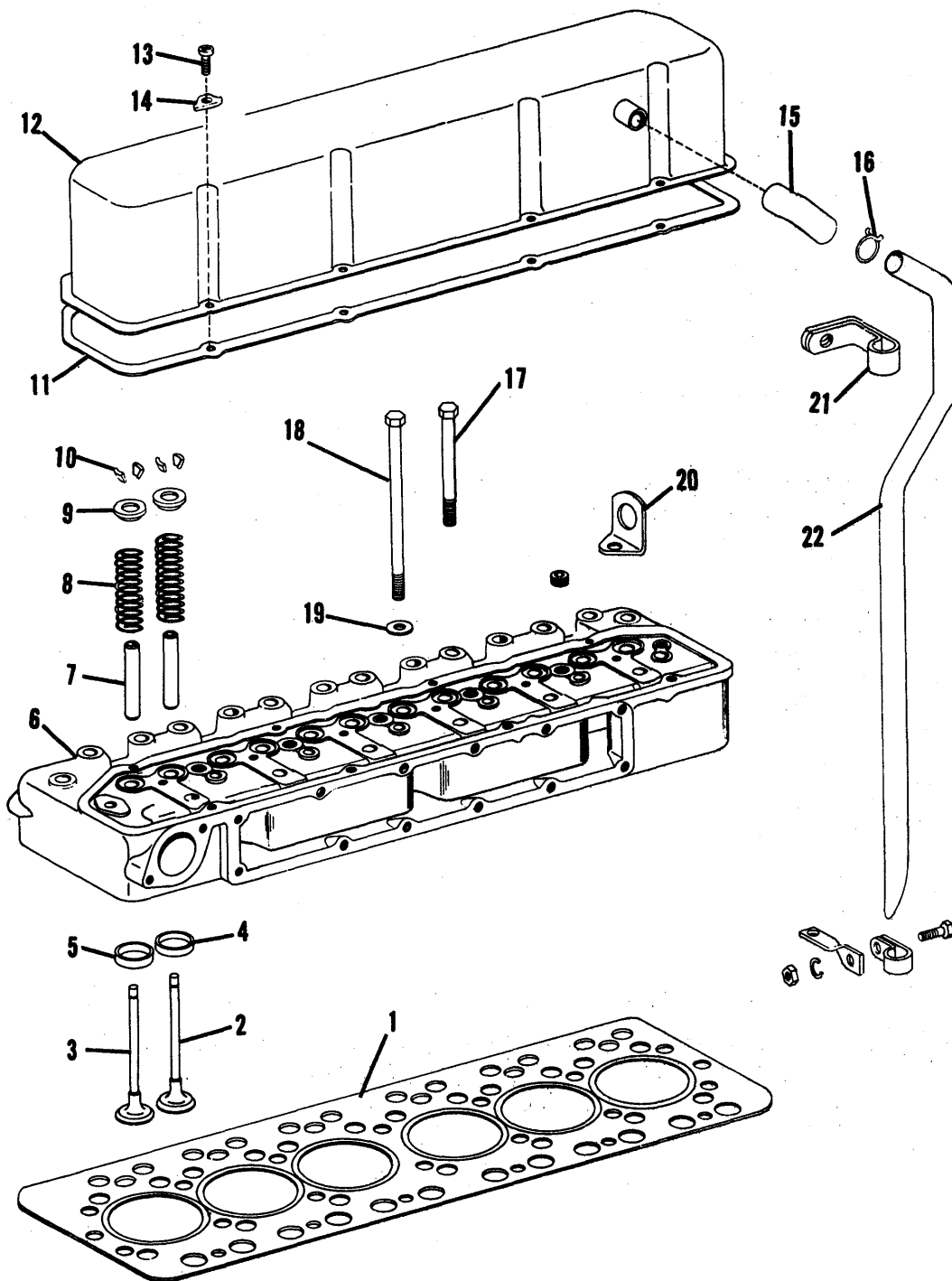


VALVE OPERATING MECHANISM



**CYLINDER HEAD**

ITEM	PART NUMBER	QTY.	DESCRIPTION	ASSEMBLY OR PACKAGE NO.
1	4022911	1	GASKET, cylinder head (Replaces 4021826) . . . . .	4023824
2	4020082	6	VALVE, exhaust	
3	4020080	6	VALVE, intake	
4	4020146	*	INSERT, exh. valve seat (Std.)	
	4020536	*	INSERT, exh. valve seat (.005)	
5	4020147	*	INSERT, int. valve seat	
		*	(Use as required)	
			NOTE: Intake and exhaust inserts are not original equipment. Requires machining or Cylinder Head.	
6	4022645	1	HEAD ASSY., cylinder (Incl. item 7 & PLUGS) (Replaces 4021855)	
		6	918851 PLUG, pipe, 3/4	
7	4022595	12	GUIDE, intake & exhaust valve (Replaces 4020682)	
8	4020156	12	SPRING, intake & exhaust valve	
9	4020408	12	RETAINER, valve spring	
10	4376497	24	LOCK, half, valve spring retainer	
11	4020076	1	GASKET, cyl. head cover . . . . .	4023824
12	4023921-2	1	COVER, cylinder head (Replaces 4022078)	
13	4153776	8	SCREW, cylinder head cover	
14	4025491	8	WASHER, cylinder head cover	
15	4020494	1	ELBOW, breather tube	
16	4254757	2	CLAMP, hose	
17	4029256-7	21	CAPSCREW, cylinder head (short) (Replaces 4025164)	
18	4025166	6	CAPSCREW, cylinder head (Also attaches Rocker Arm Brackets)	
19	4025165	6	WASHER, cylinder head capscrew	
20	4020813	2	EYE, lifting	
21	4255538	1	CLAMP, breather tube (upper)	
		1	916268 CAPSCREW, 3/8NC x 5/8, gr. 5	
		1	904206 LOCKWASHER, 3/8	
22	4024090-5	1	TUBE, breather (Replaces 4022630)	
		1	921911 CLAMP	
--	4020299	1	CLIP, upper	



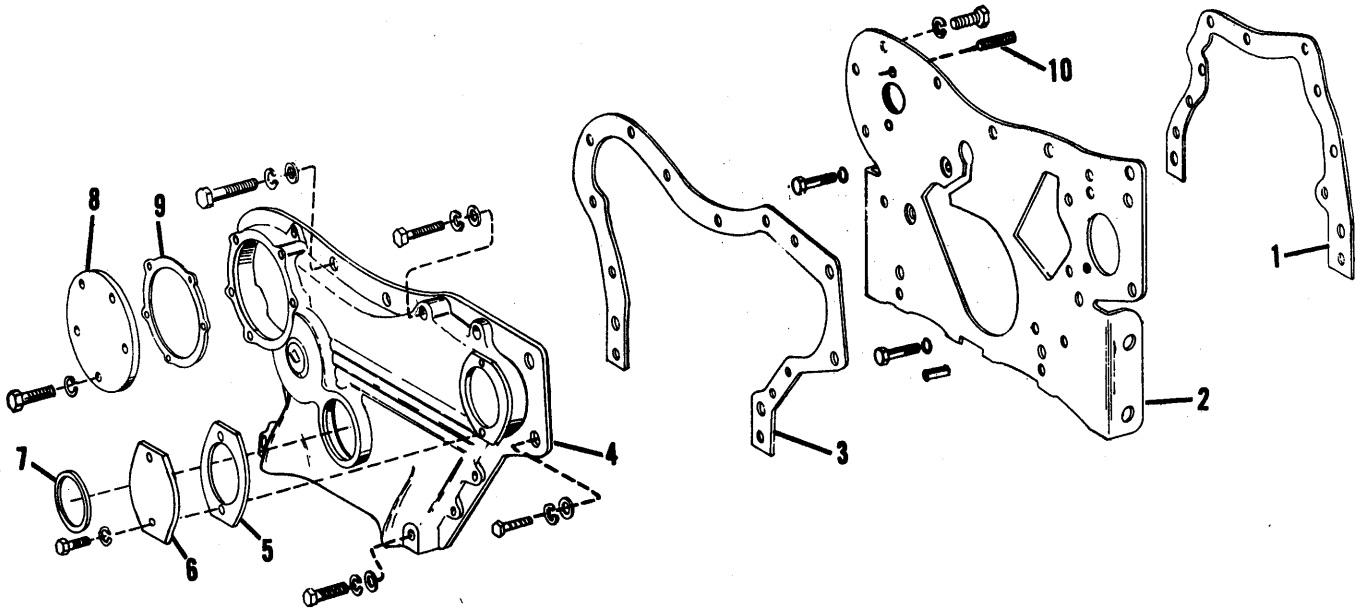
**FRONT PLATE & GEAR COVER**

ITEM	PART NUMBER	QTY.	DESCRIPTION	ASSEMBLY OR PACKAGE NO.
1	4020098	1	GASKET, front plate . . . . .	4021634, 4022051
2	4021328	1	PLATE ASSY., front, (Incl item 8)	
		3	919269 CAPSCREW, 3/8NC x 7/8	
		2	915408 CAPSCREW, 3/8NC x 3/4	
		5	904206 LOCKWASHER, 3/8	
		2	917535 PIN, dowel, 1/2 x 1-1/4	
3	4020100	1	GASKET, cover housing . . . . .	4021634, 4022051
4	4023858	1	COVER, timing gear housing (Replaces 4020099)	
		7	919224 CAPSCREW, 3/8NC x 1-1/8	
		3	914847 CAPSCREW, 3/8NC x 1-1/2 (Replaces 919225)	
		2	919227 CAPSCREW, 3/8NC x 3-1/4	
		1	912069 CAPSCREW, 3/8NC x 2-1/2	
		12	904206 LOCKWASHER, 3/8	
		3	913544 WASHER, 13/32 x 3/4 x #16	
		1	916273 CAPSCREW	
		1	433005-6 STUD	
		1	927111 CAPSCREW	
		1	226408 PLUG	
		1	226012 GASKET	
5	4026549	1	GASKET, hydraulic pump cover . . . . .	4021634
6	4025079	1	COVER, plate, hydraulic pump	
		1	916271 CAPSCREW, 3/8NC x 1	
		1	921967 CAPSCREW, 3/8NC x 1-1/8 (Replaces 915408)	
		2	904206 LOCKWASHER, 3/8	
7	4023563	1	SEAL, oil crankshaft (Replaces 4021798)	
8	4023857	1	PLATE, inspection (Replaces 4020103)	
		4	915813 CAPSCREW, 5/16NC x 7/8	
		4	904205 LOCKWASHER, 5/16	
9	4023859	1	GASKET, inspection plate (Replaces 4020104) . . . . .	4021634, 4022051
10	4026460	4	STUD, adapter plate	

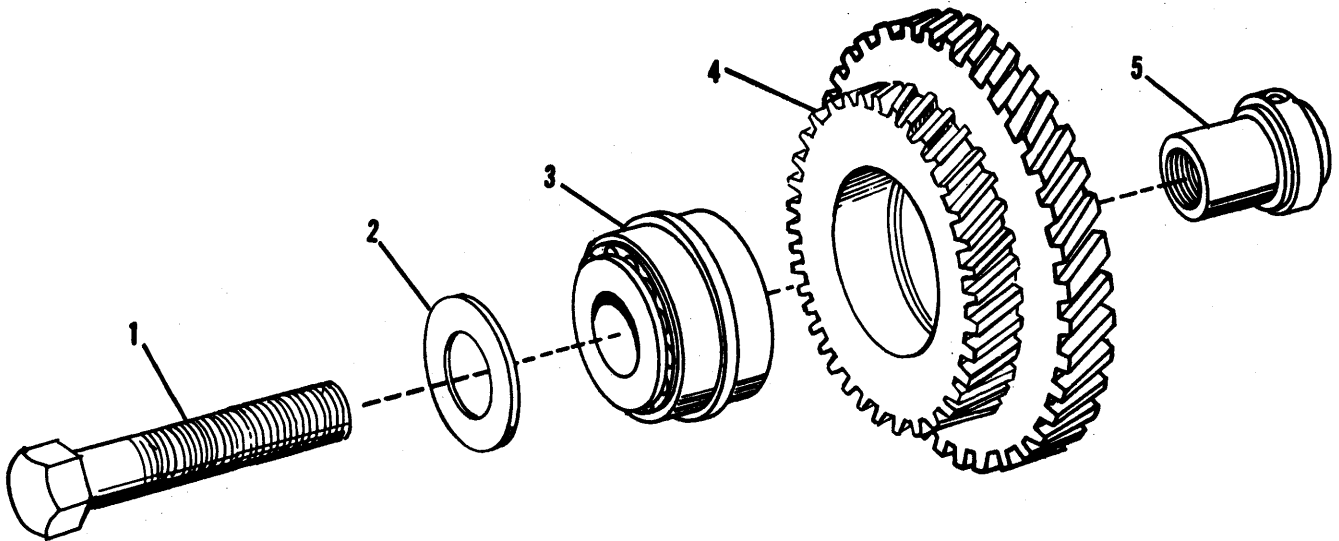
**IDLER GEAR ASSEMBLY**

ITEM	PART NUMBER	QTY.	DESCRIPTION	ASSEMBLY OR PACKAGE NO.
1	921539	1	CAPSCREW, retaining, idler gear, 1/2NC x 3-1/2	
2	4025461	1	WASHER, idler gear capcrew	
3	4025082	1	BEARING ASSY., idler gear	
4	4020007	1	GEAR ASSY., idler (Incl. item 3)	
5	4020102	1	SHAFT, idler gear	

FRONT PLATE & GEAR COVER



IDLER GEAR ASSEMBLY





## HYDRAULIC HOUSING &amp; GEAR

ITEM	PART NUMBER	QTY.	DESCRIPTION	ASSEMBLY OR PACKAGE NO.
1	4020009	1	GEAR, drive, hydraulic pump	
2	4357289	1	BEARING SET, drive gear	
3	923817	1	O-RING, housing to block, 3-3/4 x 1/8 . . . . .	4021634
4	4022980	1	HOUSING, hyd. pump drive (Replaces 4027293)	
5	916768	2	CAPSCREW, 3/8NF x 1-7/8, gr. 5	
		2	904206 LOCKWASHER, 3/8	
		2	910123 NUT, 3/8NF	
6	4023052	1	NUT, shaft retainer (Replaces 4026879)	
7	254819	1	GASKET, cover (Replaces 4026549) . . . . .	4021634
8	4025079	1	COVER, hydraulic pump housing	
		2	916271 CAPSCREW, 3/8NC x 1	
		2	904206 LOCKWASHER, 3/8	
9	913544	2	WASHER, plain, 13/32 x 3/4 x #16	

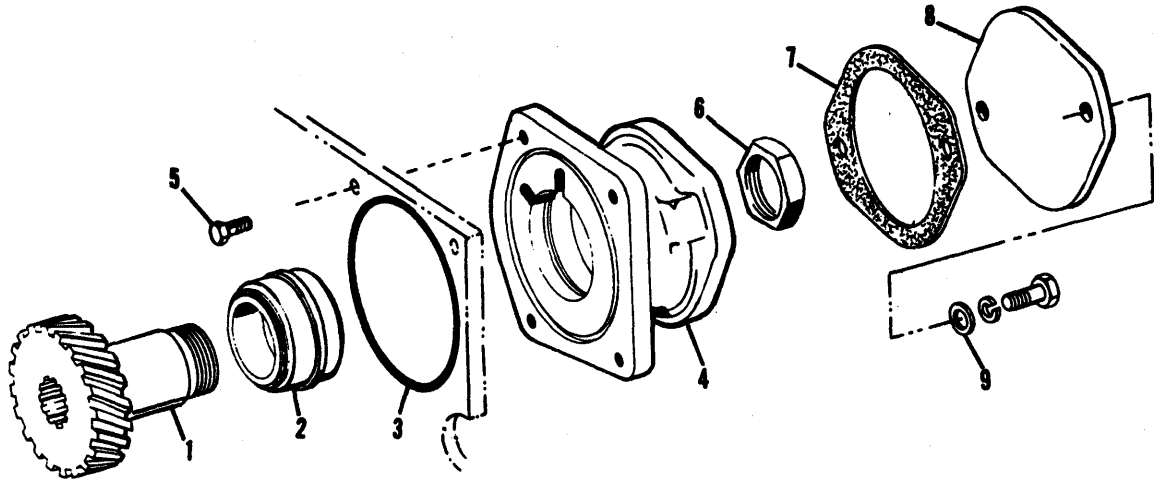
## OIL PAN

ITEM	PART NUMBER	QTY.	DESCRIPTION	ASSEMBLY OR PACKAGE NO.
1	4021022	1	GASKET, oil pan	
2	4023902	1	PAN, oil (Replaces 4020066)	
		24	915813 CAPSCREW, 5/16NC x 7/8	
		6	914392 CAPSCREW, 5/16 UNC x 1	
		34	904205 LOCKWASHER, 5/16	
		4	915809 CAPSCREW, 5/16NC x 3/4	
3	226012	1	GASKET, drain plug . . . . .	4021634
4	226408	1	PLUG, drain	

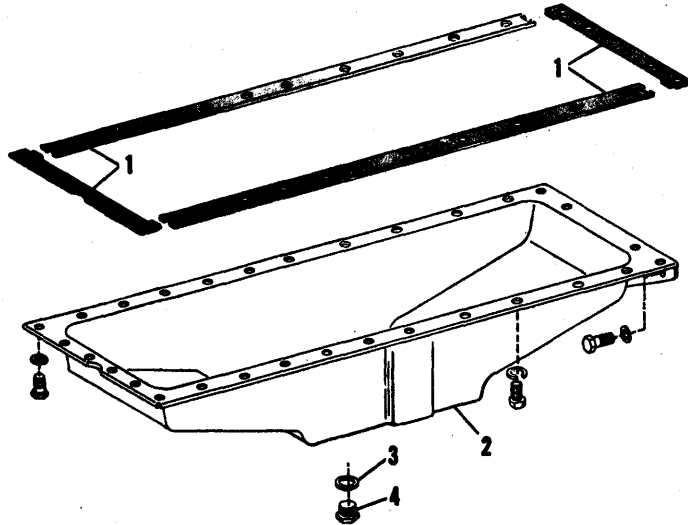
## OIL FILTER

ITEM	PART NUMBER	QTY.	DESCRIPTION	ASSEMBLY OR PACKAGE NO.
1	4027979	1	FILTER, lubricating oil (Replaces 4513411)	
		1	----- TRANSFER, instructions	
2	4513414	1	NIPPLE, filter base	
3	4025119	1	BASE ASSY., oil filter (Incl. item 2)	
		2	918395 CAPSCREW, 7/16NC x 3-1/3, gr. 5	
		1	916197 CAPSCREW, 7/16NC x 1-1/4, gr. 5	
		3	904207 LOCKWASHER, 7/16	
		3	914498 WASHER, 15/32 x 3/4 x #20	
4	4025120	1	GASKET, base . . . . .	4022051

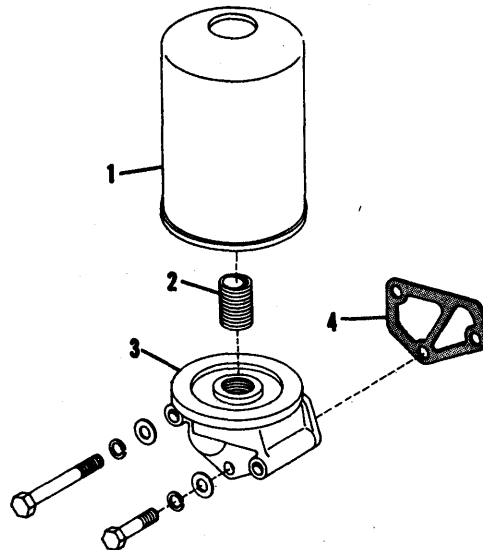
HYDRAULIC HOUSING & GEAR



OIL PAN



OIL FILTER



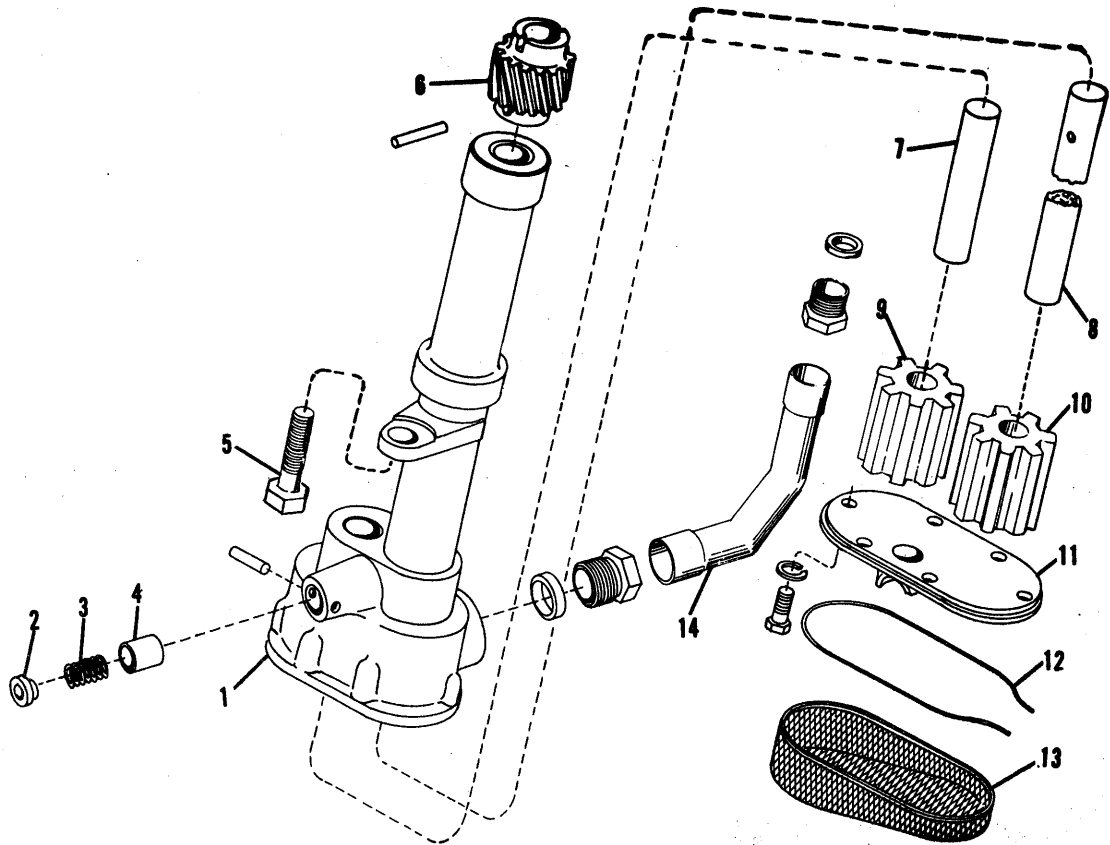
## OIL PUMP

ITEM	PART NUMBER	QTY.	DESCRIPTION	ASSEMBLY OR PACKAGE NO.
-	4021607	1	PUMP ASSY., oil (Incl. items 1 thru 4, 6 thru 11)	
1	4020058	1	BODY, oil pump	
2	4513164	1	RETAINER, spring, relief valve	
		1	915711 PIN, roll, 3/16 x 7/8	
3	4513163	1	SPRING, relief valve	
4	4513162	1	PISTON, relief valve	
5	4255364	1	BOLT, oil pump	
6	4026514	1	GEAR, drive	
		1	919761 PIN; roll, 1/8 x 1-1/4	
7	4020059	1	SHAFT, idler gear	
8	4020063	1	SHAFT, oil pump drive	
9	4020061	1	GEAR, idler	
10	4020064	1	GEAR, driver	
11	4020062	1	COVER, oil pump body	
		6	915406 CAPSCREW, w/LW, 1/4NC x 3/4, gr. 5	
		6	904204 LOCKWASHER, 1/4	
12	4371122	1	WIRE, retainer	
13	4025199	1	SCREEN, oil	
14	4020056	1	TUBE, oil discharge	
		2	921331 NUT, 3/4NC	

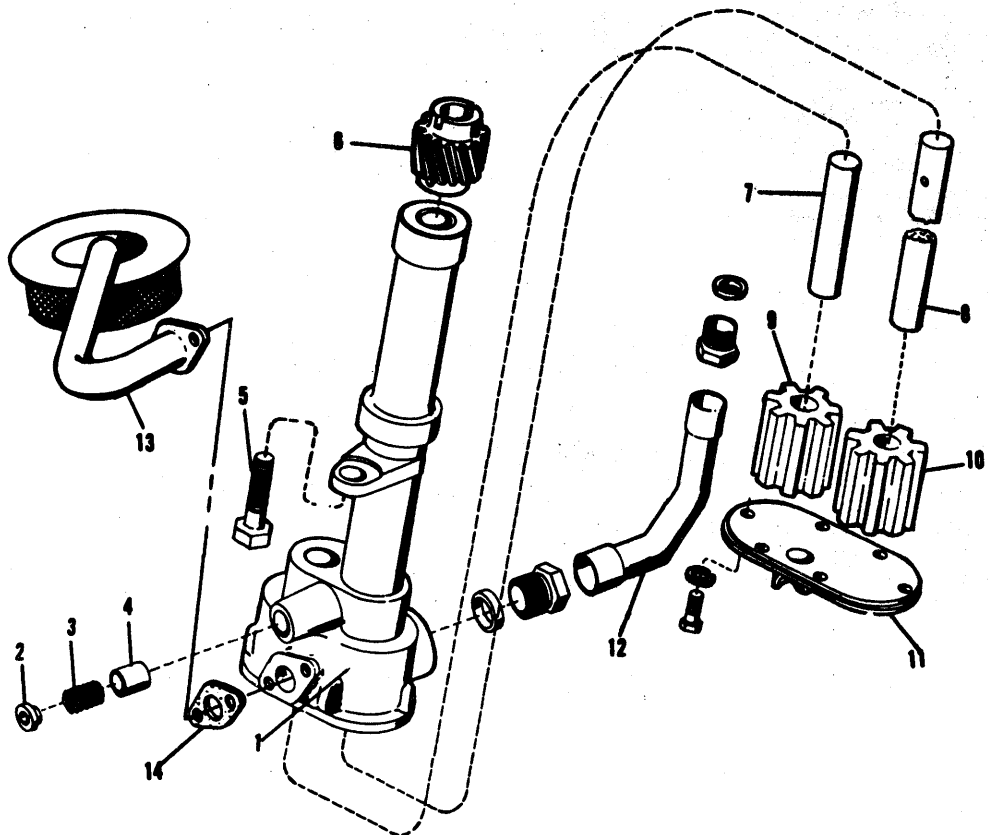
## OIL PUMP

ITEM	PART NUMBER	QTY	DESCRIPTION	ASSEMBLY OR PACKAGE NO.
-	4022581	1	PUMP ASSY., oil (Incl. items 1 thru 4, 6 thru 11)	
1	-----	1	BODY, oil pump (Not Serviced)	
2	4022736	1	RETAINER, spring, relief valve	
		1	915711 PIN, roll, 3/16 x 7/8	
3	4022597	1	SPRING, relief valve	
4	232431	1	PISTON, relief valve	
5	4255364	1	BOLT, oil pump	
6	4026514	1	GEAR, drive	
		1	919761 PIN, roll, 1/8 x 1-1/4	
7	4020059	1	SHAFT, idler gear	
8	4020063	1	SHAFT, oil pump drive	
9	4020061	1	GEAR, idler	
10	4020064	1	GEAR, driver	
11	4022582	1	COVER, oil pump body	
		6	915406 CAPSCREW, 1/4 NC x 3/4, Gr. 5	
		6	904204 LOCKWASHER, 1/4	
12	4020056	1	TUBE, oil discharge	
		2	921331 NUT, 3/4 NC	
13	4022737	1	TUBE ASSY., suction	
		2	915406 CAPSCREW, 1/4 NC x 3/4	
		2	904204 LOCKWASHER, 3/8	
14	4022593	1	GASKET	

OIL PUMP



OIL PUMP



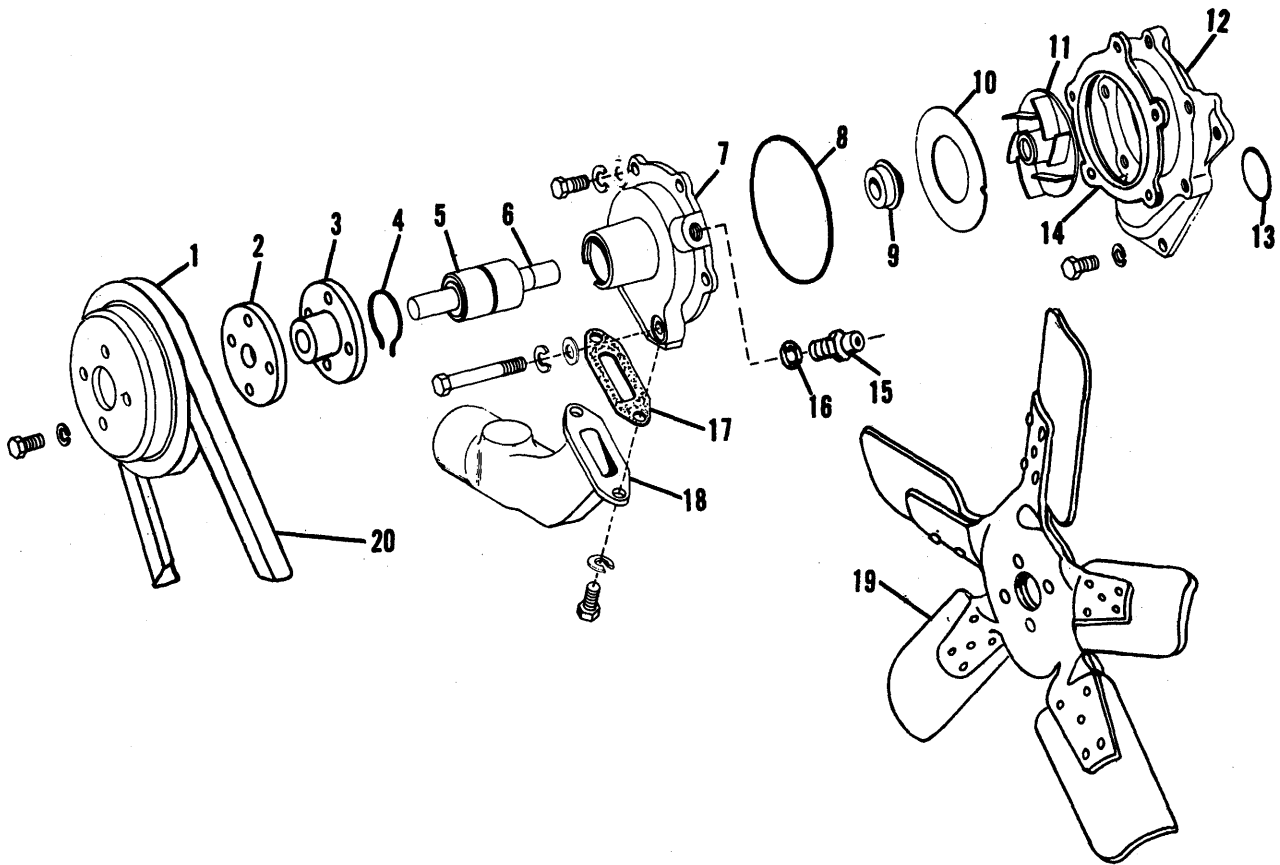
**WATER PUMP**

ITEM	PART NUMBER	QTY.	DESCRIPTION	ASSEMBLY OR PACKAGE NO.
	4021237	1	PUMP ASSY., water (Incl. item 3 thru 7, 9, 10 & 11)	
			1 919015 CAPSCREW, 3/8NC x 3-1/2	
			3 919224 CAPSCREW, 3/8NC x 1-1/8	
			1 910948 CAPSCREW, 3/8NC x 2	
			5 913544 WASHER, plain, 13/32 x 3/4 x #16	
			5 904206 LOCKWASHER, 3/8	
1	4021187	1	PULLEY, water pump	
			4 916384 CAPSCREW, 3/8NF x 1-3/8	
			4 904206 LOCKWASHER, 3/8	
2	4020235	1	SPACER, pulley	
3	4025068	1	HUB, pulley	
4	4054608	1	RING, snap	4025921
5	-----	1	SHAFT & BEARING ASSY., (Incl. item 6)	4025921
6	4507084	1	FLINGER, water	
7	4021234	1	BODY, water pump	
8	923822	1	O-RING, 4-7/8 ID	4021634, 4025921
9	4025710	1	SEAL ASSY., water pump	4025921
10	4025236	1	PLATE, body	
11	4025067	1	IMPELLER ASSY.	4025921
12	4025059	1	VOLUTE, water outlet	
			3 919224 CAPSCREW, 3/8NC x 1/8	
			3 904206 LOCKWASHER, 3/8	
13	923684	1	O-RING, volute, 2-1/16" ID	4021634, 4022051
14	4026887	1	GASKET, pump to volute	4022051
15	4021235	1	ADAPTER, hose by pass	
16	4115449	1	GASKET	
17	4025106	1	GASKET, inlet pipe	4021634
18	4020848	1	PIPE, water inlet (Replaces 4020123)	
			2 916271 CAPSCREW, 3/8NC x 1	
			2 904206 LOCKWASHER, 3/8	
			1 920333 PLUG, pipe	
19	<b>0255751-0</b>	1	BLADE, fan (Replaces 250009)	
20	252145	1	BELT, fan	

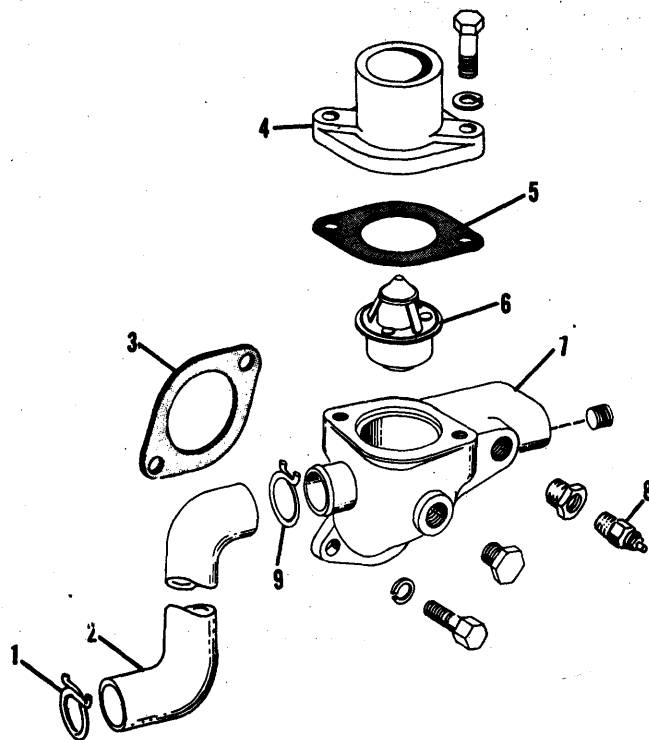
**THERMOSTAT & HOUSING**

ITEM	PART NUMBER	QTY.	DESCRIPTION	ASSEMBLY OR PACKAGE NO.
1	4254659	1	CLAMP, hose	
2	4021233	1	HOSE, by-pass	
3	4025101	1	GASKET, thermostat housing	4023824
4	4021152	1	FLANGE, water outlet	
			2 916197 CAPSCREW, 7/16NC x 1-1/4	
			2 904207 LOCKWASHER, 7/16	
			2 914498 WASHER, plain, 7/16	
5	4025101	1	GASKET, outlet flange	4023824
6	4025103	1	THERMOSTAT	
7	<b>4029459-7</b>	1	HOUSING, thermostat (Replaces 4026086)	
			2 919228 CAPSCREW, 7/16NC x 1-1/8, gr. 5	
			2 904207 LOCKWASHER, 7/16	
			3 920416 PLUG, pipe, hex. hd., 1/2	
			1 922753 BUSHING, reducer, 1/2 x 1/4	
			1 <b>0920333-2</b> PLUG, pipe	
8	241249	1	SENDING UNIT, water temperature	
9	4255528	1	CLAMP, hose	

WATER PUMP



THERMOSTAT & HOUSING



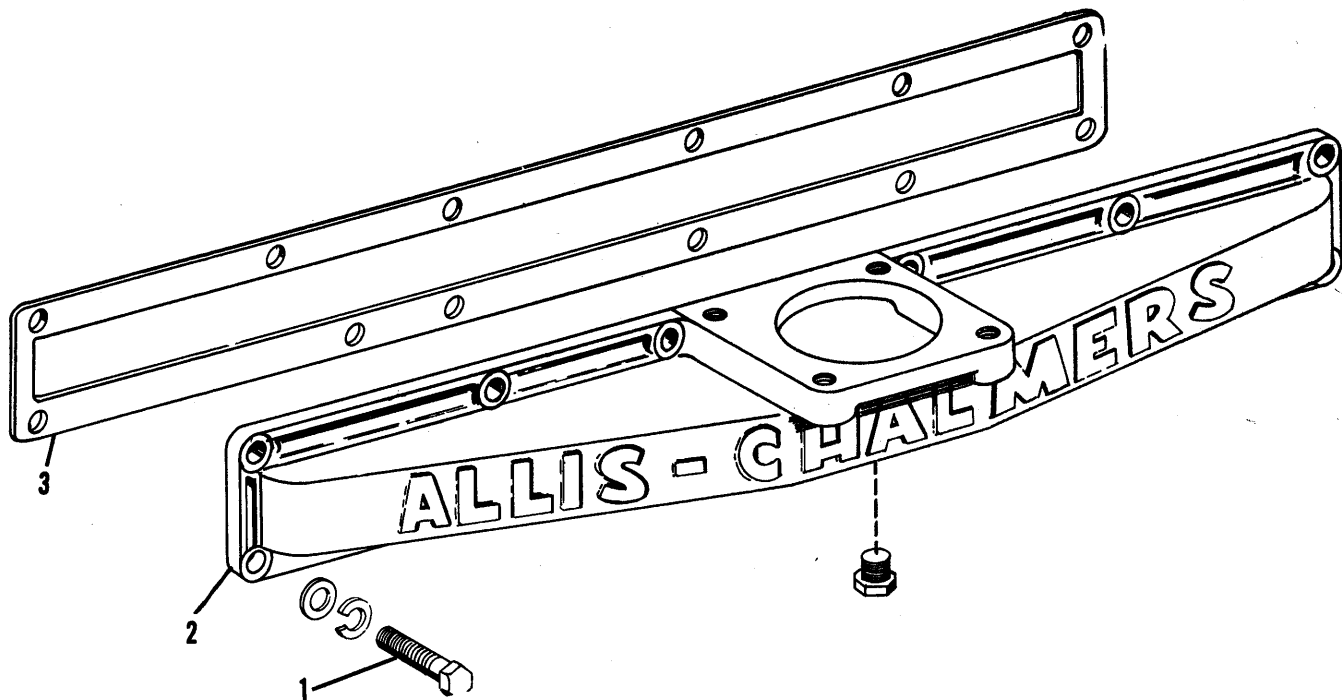
**INTAKE MANIFOLD**

ITEM	PART NUMBER	QTY.	DESCRIPTION	ASSEMBLY OR PACKAGE NO.
1	4255524	12	CAPSCREW, manifold	
			1 911986 WASHER, plain, 5/16 x 1 x #16	
			1 904205 LOCKWASHER, 5/16	
2	4020017	1	MANIFOLD, intake	
			1 919134 PLUG, pipe, 1/8	
3	4021332	1	GASKET, manifold intake . . . . .	4023824

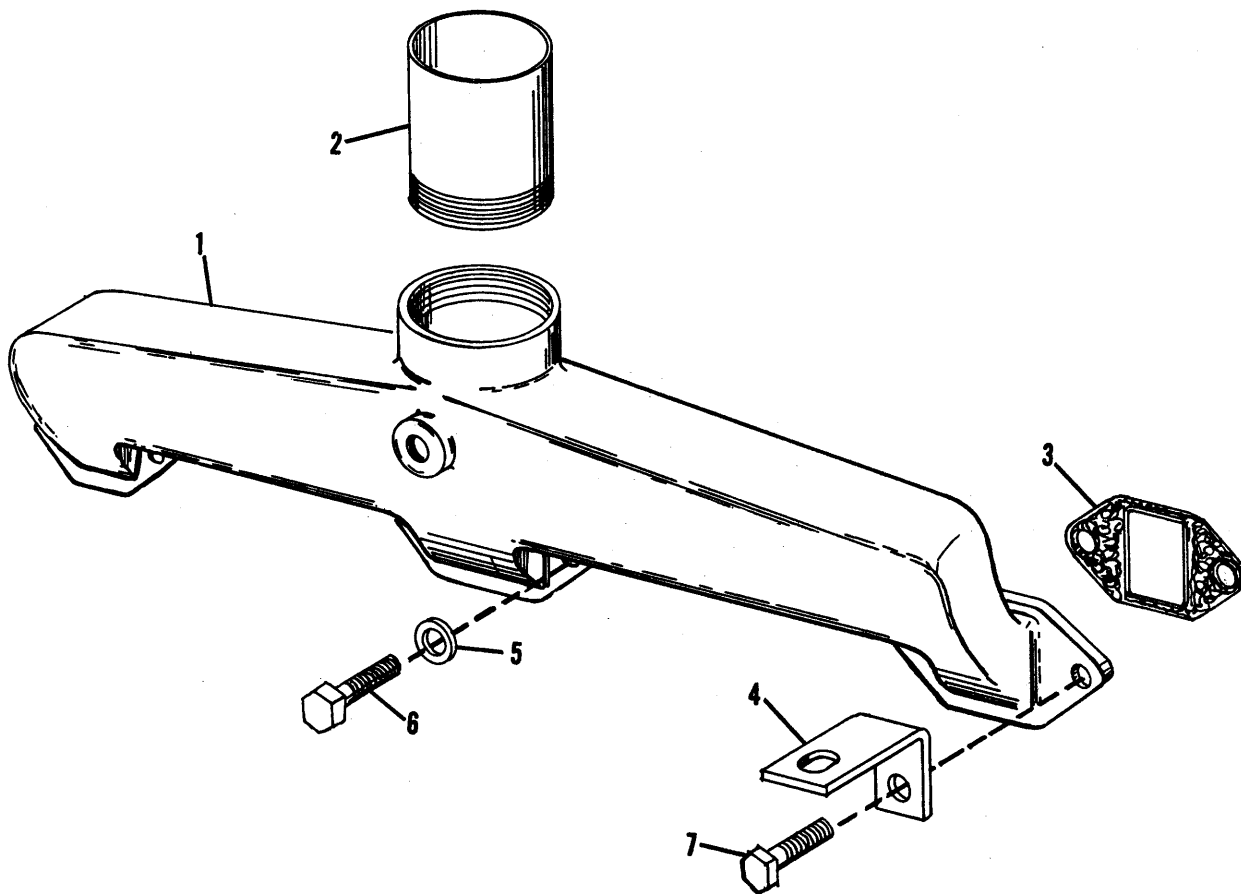
**EXHAUST MANIFOLD**

ITEM	PART NUMBER	QTY.	DESCRIPTION	ASSEMBLY OR PACKAGE NO.
1	4020089	1	MANIFOLD, exhaust	
2	4513471	1	PIPE, manifold	
3	4020090	3	GASKET, manifold . . . . .	4023824
4	4020652	1	BRACKET, muffler	
5	4506761	6	WASHER, manifold	
6	4021803	5	CAPSCREW, manifold	
7	4021804	1	CAPSCREW, muffler bracket	

INTAKE MANIFOLD



EXHAUST MANIFOLD





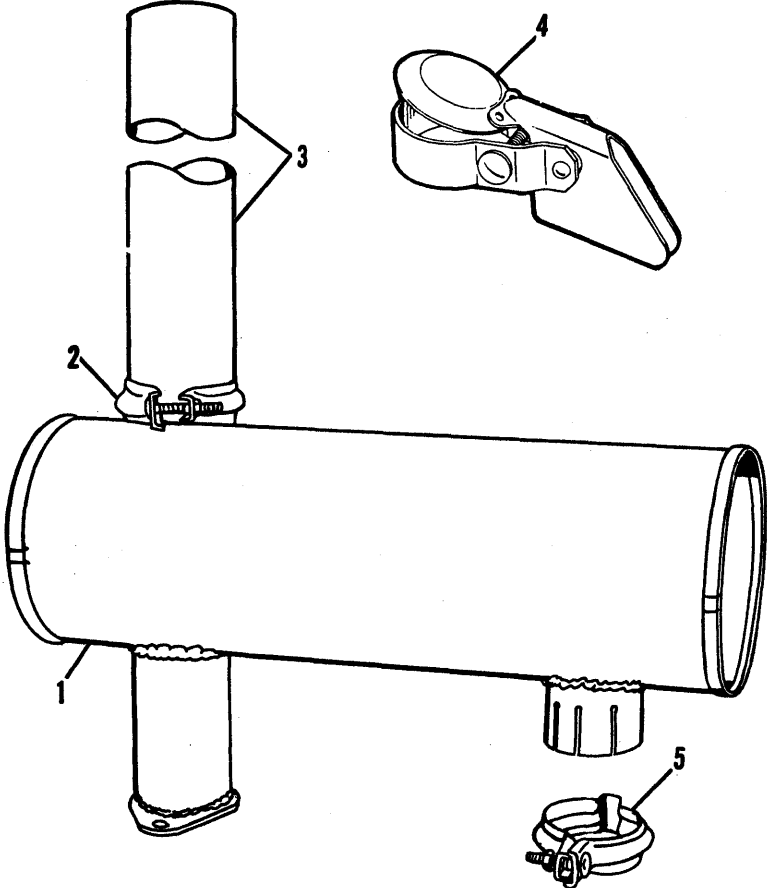
**MUFFLER**

ITEM	PART NUMBER	QTY.	DESCRIPTION	ASSEMBLY OR PACKAGE NO.
1	243283	1	MUFFLER, exhaust	
			1 919357 CAPSCREW, pltd., 3/8NC x 7/8	
			1 916965 LOCKWASHER, pltd., 3/8	
			1 916950 NUT, pltd., 3/8NC	
2	250245	1	CLAMP ASSY., extension to muffler (Incl. BOLT & NUT)	
			1 921933 BOLT, pltd., 3/8NC x 1-1/4	
			1 916950 NUT, 3/8NC, pltd.	
3	247086	1	EXTENSION, muffler	
4	244343	1	CAP, weather	
5	249898	1	CLAMP, muffler to engine (Incl. BOLT & NUT)	
			1 921933 BOLT, pltd., 3/8NC x 1-1/4	
			1 916950 NUT, pltd., 3/8NC	

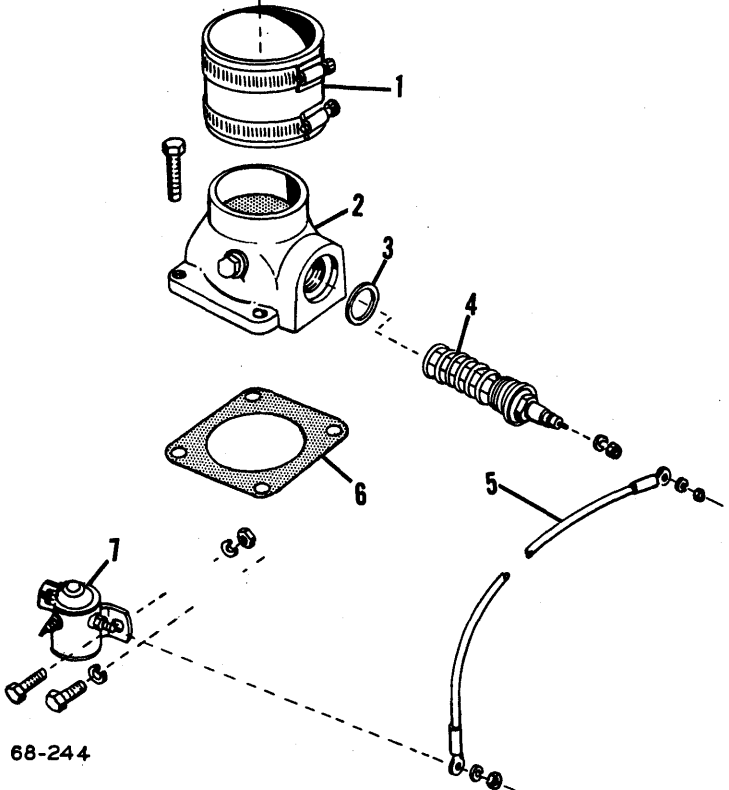
**AIR HEATER**

ITEM	PART NUMBER	QTY.	DESCRIPTION	ASSEMBLY OR PACKAGE NO.
1	-----	1	HOSE, air cleaner tube to heater housing (See AIR CLEANER Group)	
			2 921915 CLAMP, hose, 2-3/16 x 3-3/4	
2	248430	1	HOUSING, air heater	
			4 914392 CAPSCREW, 5/16NC x 1	
			4 904205 LOCKWASHER, 5/16	
			1 901651 PLUG, pipe, 1/4	
3	4512343	1	GASKET, heater element	
4	4516760-8	1	ELEMENT, air heater (Incl. GASKET) (Replaces 4514135)	
5	242096	1	CABLE, switch to air heater	
6	242095	1	GASKET, housing . . . . .	4023824
7	237134	1	SWITCH, heater	
			2 907727 CAPSCREW, 1/4NC x 5/8, pltd.	
			2 916964 LOCKWASHER, pltd., 1/4	
			2 916622 NUT, pltd., 1/4NC	

MUFFLER



AIR HEATER



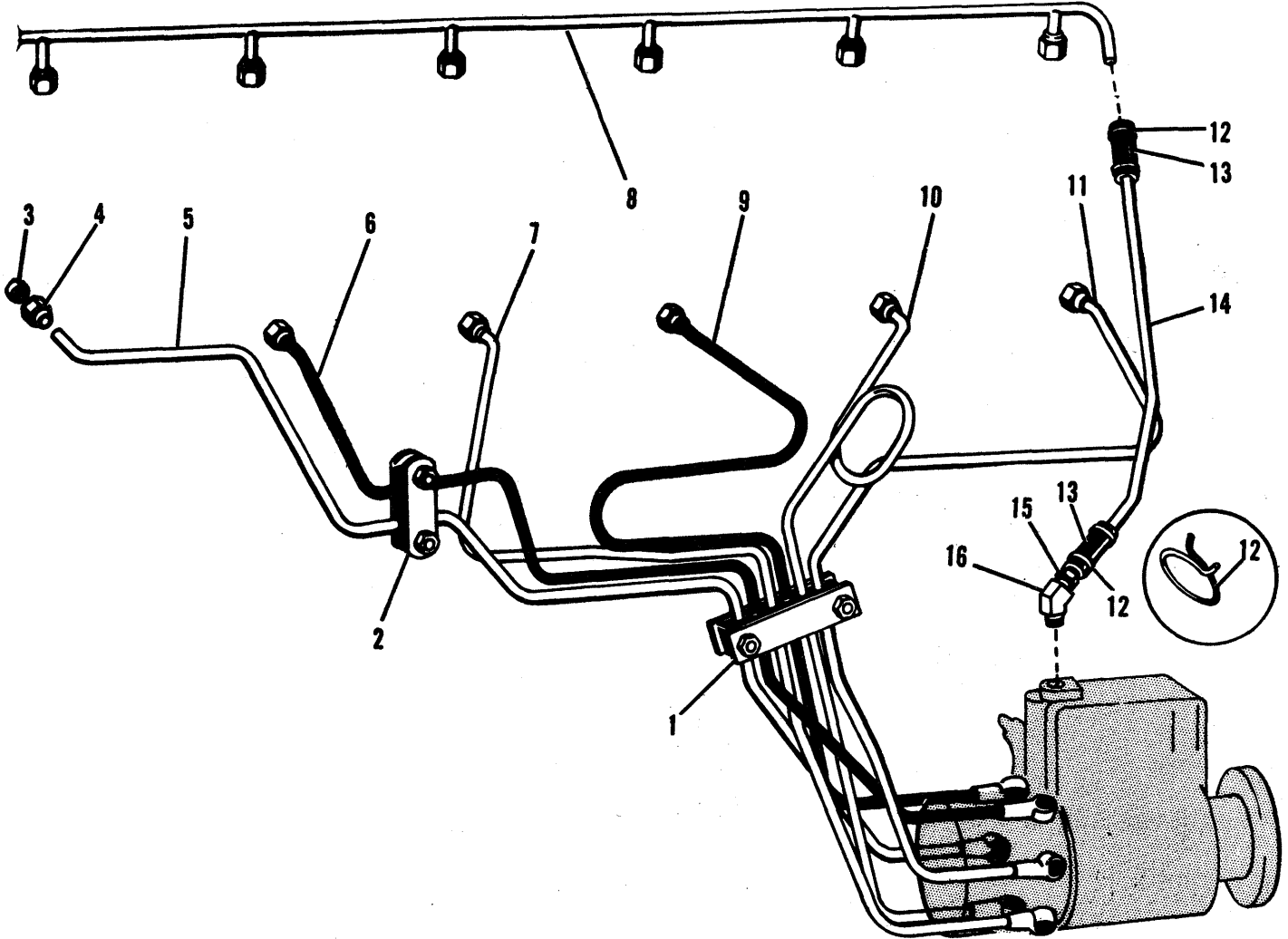
**NOZZLE HOLDER & INJECTION LINES**

ITEM	PART NUMBER	QTY.	DESCRIPTION	ASSEMBLY OR PACKAGE NO.	
1	4020724	2	SPACER, injection tube		
	4020725	2	PLATE, clamp, injection tube		
		2	918237 CAPSCREW, 1/4NC x 1-1/4		
		2	904204 LOCKWASHER, 1/4		
		2	910880 NUT, 1/4NC		
2	4507359	2	SPACER, injection tube		
	4507415	2	PLATE, clamp, injection tube		
		2	918237 CAPSCREW, 1/4NC x 1-1/4		
		2	904204 LOCKWASHER, 1/4		
		2	910880 NUT, 1/4NC		
3	4501149	6	SLEEVE, injection tube		
4	4504409	6	NUT, injection tube		
5	4021351	1	TUBE ASSY., fuel injection (No. 6 cyl.)		
6	4021350	1	TUBE ASSY., fuel injection (No. 5 cyl.)		
7	4021349	1	TUBE ASSY., fuel injection (No. 4 cyl.)		
8	4022635	1	TUBE ASSY., drip (Incl. NUTS & SLEEVE) (Replaces 4021380)		
			6	919800 CONNECTOR, male, 1/8	
			7	917809 NUT, 1/4	
			7	917806 SLEEVE, 1/4	
9	4021348	1	TUBE ASSY., fuel injection (No. 3 cyl.)		
10	4021347	1	TUBE ASSY., fuel injection (No. 2 cyl.)		
11	4021346	1	TUBE ASSY., fuel injection (No. 1 cyl.)		
12	927450	4	CLAMP (Replaces 4255203)		
13	4514780	2	HOSE		
14	4021385	1	TUBE ASSY., fuel return		
15	910123	1	NUT, 3/8NC		
16	920655	1	ELBOW, street 45°		

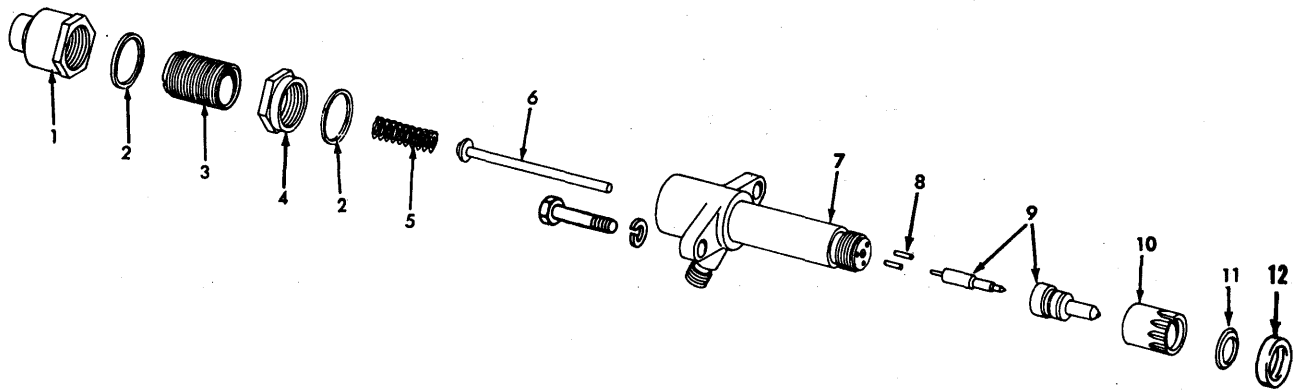
**NOZZLE HOLDER ASSEMBLY**

ITEM	PART NUMBER	QTY.	DESCRIPTION	ASSEMBLY OR PACKAGE NO.
NOTE: Quantities listed are for one holder assembly only.				
	4022901	1	HOLDER ASSY., nozzle (Incl. all items listed) (Replaces 4021255)	
		2	905664 CAPSCREW, pltd., 5/16NC x 1-3/4	
		2	904205 LOCKWASHER, 5/16	
1	4021227	1	NUT, cap	
2	4511243	2	GASKET, cap nut	
3	4378033	1	SCREW, pressure adjusting	
4	4511213	1	NUT, lock	
5	4380652	1	SPRING, pressure adjusting	
6	4025148	1	ROD, spindle	
7	-----	1	BODY, nozzle holder (Not Serviced - Order Components)	
8	4025149	2	DOWEL, pin	
9	4022900	1	NOZZLE ASSY., (Incl. item 11) (Replaces 4020510)	
10	4025146	1	NUT, nozzle retaining	
11	4025150	1	GASKET, nozzle . . . . .	4023824
12	4025385	1	SHIELD, dust . . . . .	4023824

NOZZLE HOLDER & INJECTION LINES



NOZZLE HOLDER ASSEMBLY



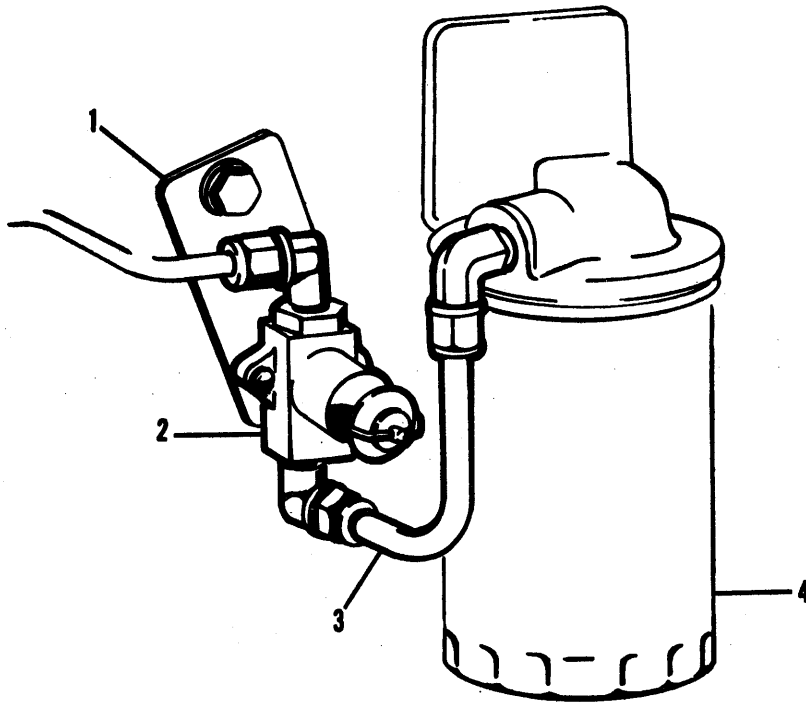
**PRIMER PUMP & LINES**

ITEM	PART NUMBER	QTY.	DESCRIPTION	ASSEMBLY OF PACKAGE NO.
1	4020696	1	PLATE, mounting	
			1 916253 CAPSCREW, 7/16NC x 3/4	
			1 916197 CAPSCREW, 7/16NC x 1-1/4	
			1 904207 LOCKWASHER, 7/16	
			1 910919 WASHER, plain, 15/32 x 15/16 x #12	
			2 923981 WASHER, 15/32 x 1 x #7	
2	4023574	1	PUMP ASSY., primer (See PRIMER PUMP Group for Components) (Replaces 4368977)	
			2 917388 SCREW, #10NC x 3/4	
			2 909055 LOCKWASHER, #10, pltd.	
3	244635	1	TUBE ASSY., primer to filter (Incl. SLEEVE & NUTS)	
			1 920280 ELBOW, male, 1/4 (Pump End)	
			1 919005 ELBOW, male, 3/8 (Filter End)	
			1 920433 ELBOW, male, 1/4	
4	-----	1	FILTER ASSY., fuel, (See FUEL FILTER Group for Components)	

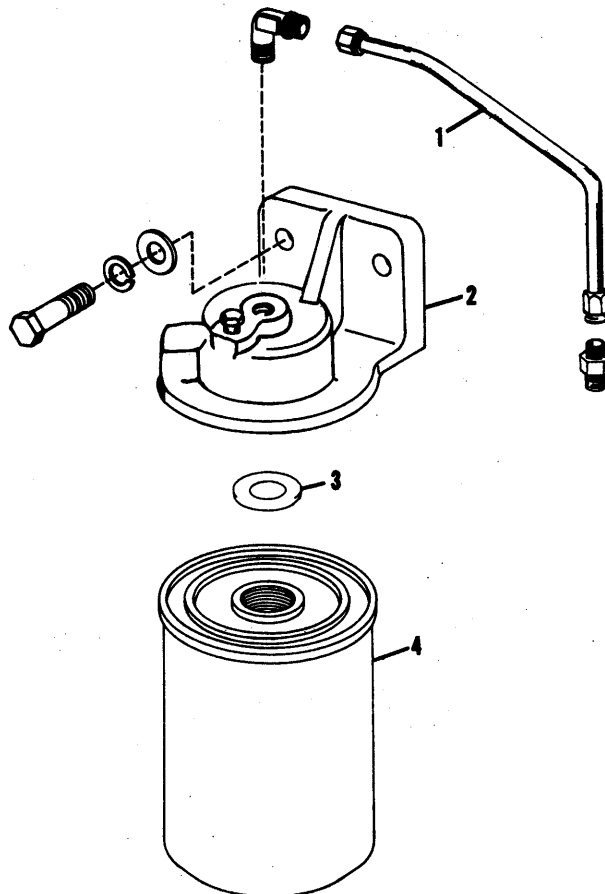
**FUEL FILTER**

ITEM	PART NUMBER	QTY.	DESCRIPTION	ASSEMBLY OR PACKAGE NO.
1	4021386	1	TUBE ASSY., fuel filter to injection pump (Incl. NUTS & SLEEVES)	
			2 917807 SLEEVE, 3/8	
			2 917810 NUT, 3/8	
			1 919005 ELBOW, male, 3/8 (Filter End)	
			1 920279 CONNECTOR, 1/4 (Pump End)	
2	4025229	1	BASE ASSY., fuel filter (Incl. INSERT)	
			1 916197 CAPSCREW, 7/16NC x 1-1/4	
			2 904207 LOCKWASHER, 7/16	
			1 914498 WASHER, 15/32 x 3/4 x #20	
			1 919134 PLUG, pipe, 1/8	
3	923934	1	O-RING, fuel filter, 59/64 ID x 9/64	
4	4028945-6	1	ELEMENT, fuel filter (Incl. item 3) (Replaces 4025230)	
			1 4029143-7 DECAL	

PRIMER PUMP & LINES



FUEL FILTER



**FUEL INJECTION PUMP & DRIVE**

ITEM	PART NUMBER	QTY.	DESCRIPTION	ASSEMBLY OR PACKAGE NO.
1	4022405	1	PUMP ASSY., fuel injection (Refer to Fuel Injection Pump for Components)	
2	4048596	1	SEAL, pilot (Incl. item 1)	
3	4021394	1	GEAR, injection pump drive	
4	4371718	2	WASHER, stud nut	
5	910123	2	NUT, 3/8 UNF	

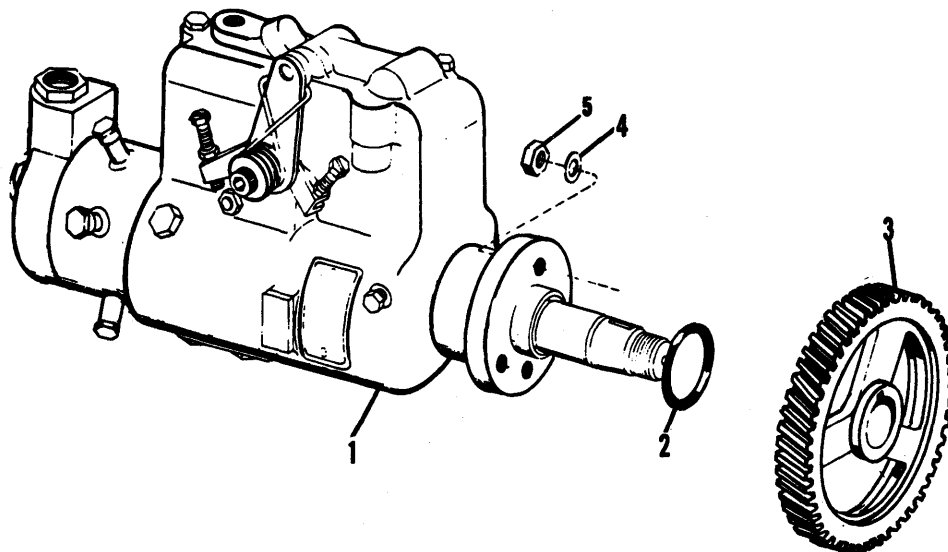
**ELECTRIC SHUT-OFF**

ITEM	PART NUMBER	QTY.	DESCRIPTION	ASSEMBLY OR PACKAGE NO.
1	4053829	1	NUT, contact screw lock	
2	4059685	1	NUT, grounding	
3	4049437	1	NUT, contact screw retaining	
4	4051383	1	WASHER, contact screw	
5	-----	1	COVER, governor	
6	-----	1	GASKET	
7	4369502	2	TUBE, cover insulating	
8	4369496	1	SPRING, shut-off arm	
9	4059657	1	COIL ASSY., shut-off (Incl. items 1 thru 4, 7, 8 & 10)	
10	4051504	1	ARM ASSY., shut-off	

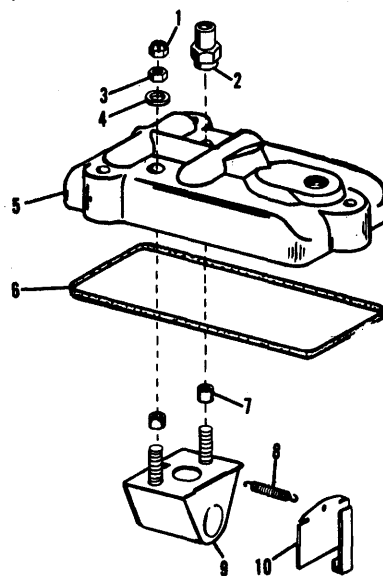
**HAND PRIMER PUMP ASSEMBLY**

ITEM	PART NUMBER	QTY	DESCRIPTION	ASSEMBLY OR PACKAGE NO.
-	4023574	1	PUMP ASSY., Hand Primer	
1	-----	1	BODY, Pump (Not Serviced Separately) (Order 4023574 Assy)	
2	4060695	1	GASKET, Valve	
3	4050638	1	SPRING, Valve Retainer	
4	4048649	1	SEAL, Valve Nut (inner)	
5	4050645	1	RING, Seal, Valve Nut	
6	4054540	1	NUT, Valve	
7	4050637	2	VALVE, Primer Pump	
8	4053035	1	SEAL, Piston	
9	4053037	2	GUIDE, Plunger	
10	4053036	1	PLUNGER, Pump	
11	4050646	1	CLAMP ASSY., (Incl. Screw & Wire)	
12	4059620	1	CAP, Plunger Guide	

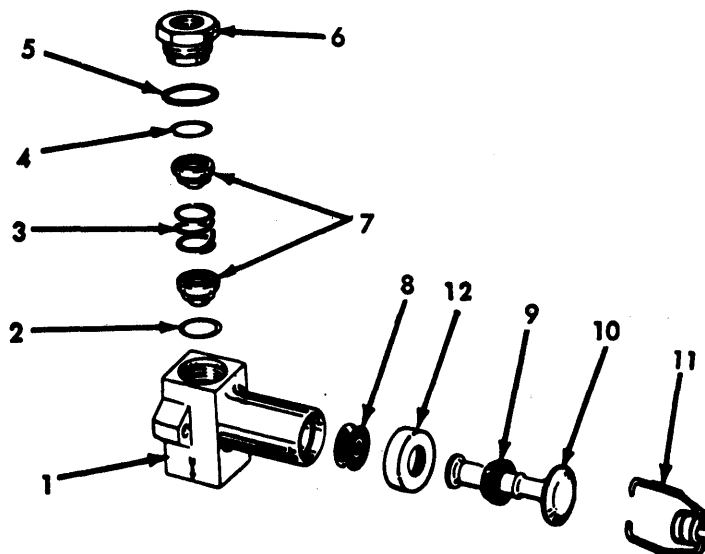
FUEL INJECTION PUMP & DRIVE



ELECTRIC SHUT-OFF



HAND PRIMER PUMP ASSEMBLY

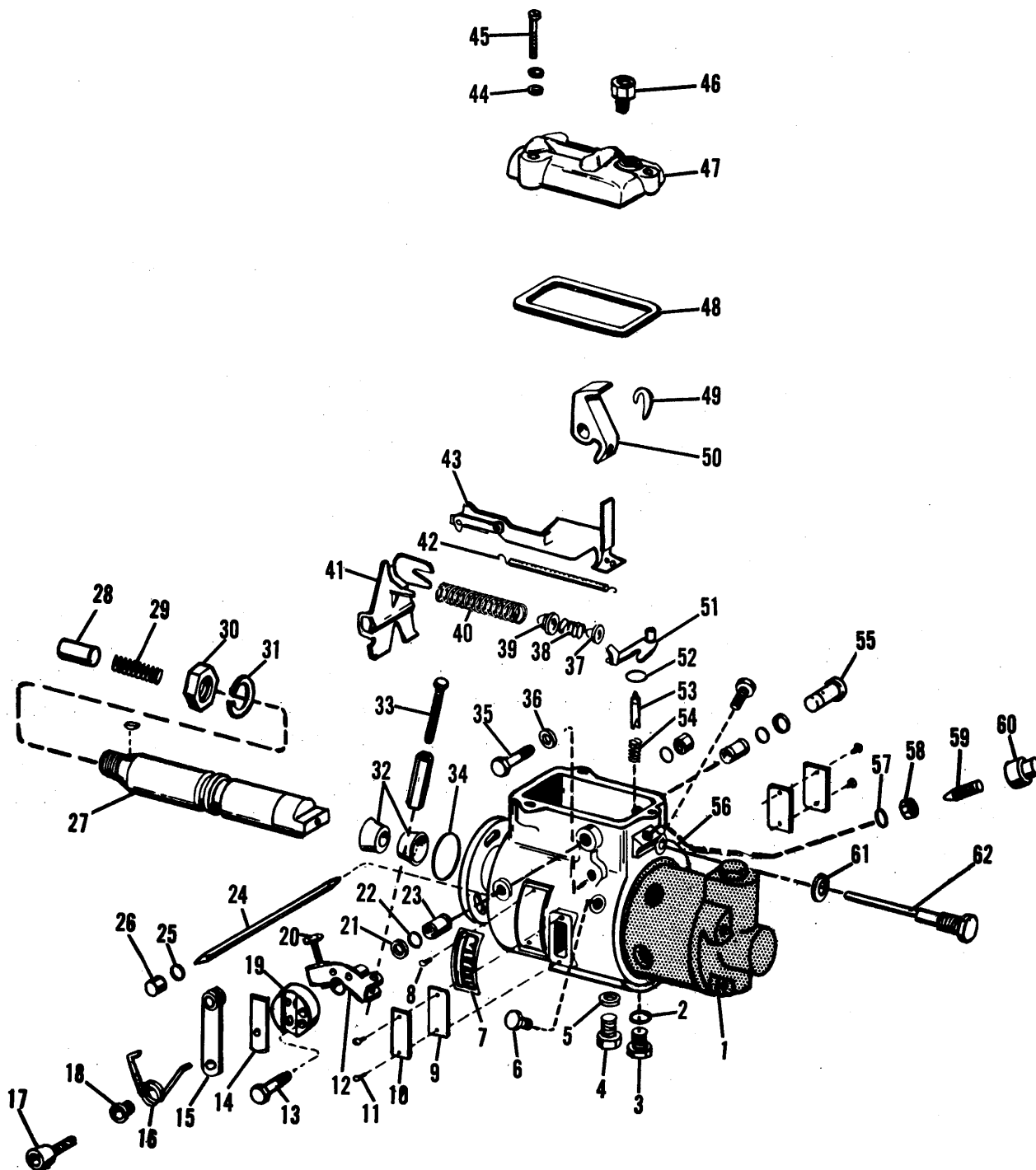




## HOUSING &amp; DRIVE

ASSEMBLY OR  
PACKAGE NO.

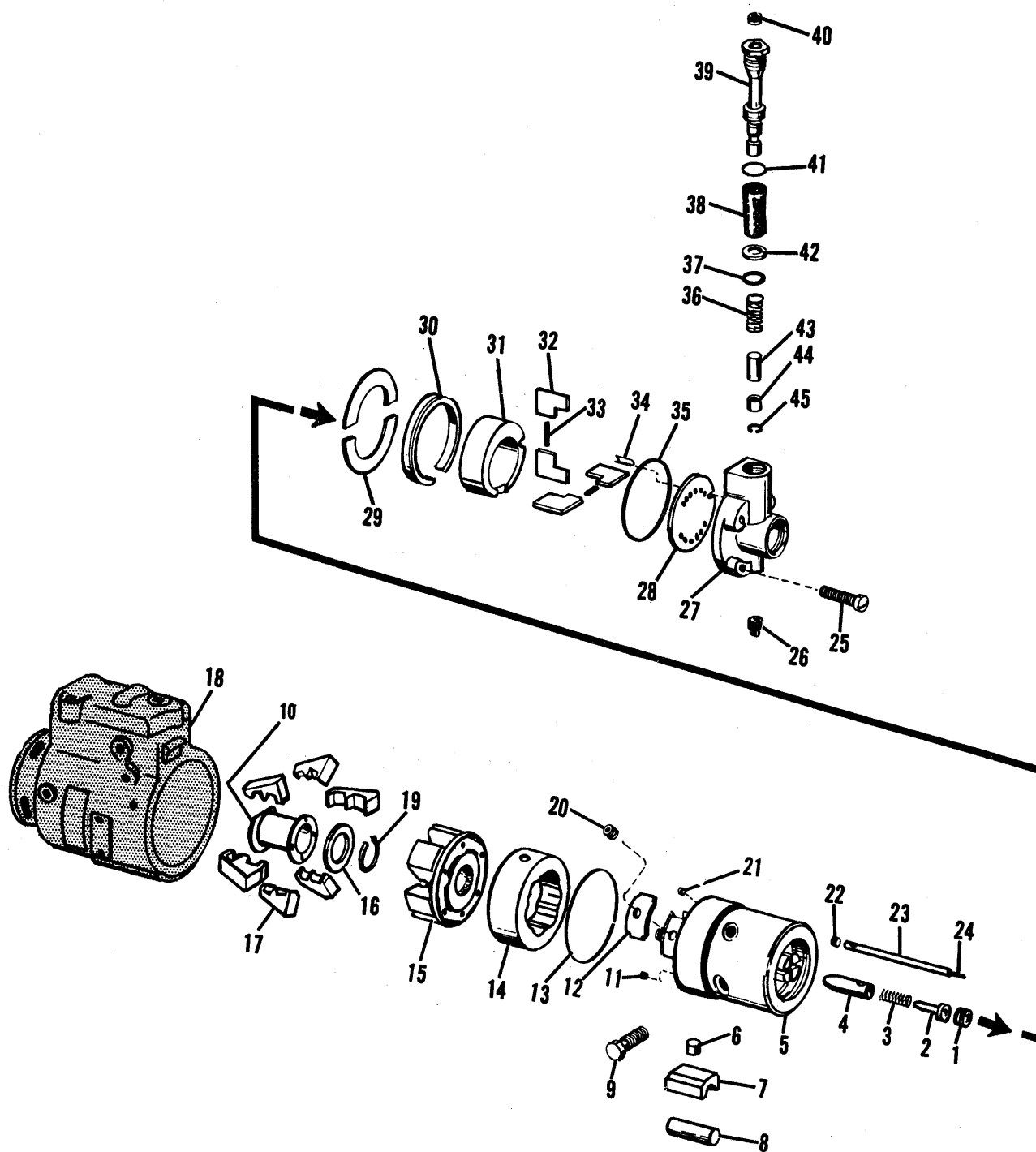
ITEM	PART NUMBER	QTY.	DESCRIPTION
-	4022405	1	PUMP ASSY., fuel injection
1	-----	1	See TRANSFER PUMP, HEAD & ROTOR Group
2	4369595	1	SEAL, head locating screw
3	4052742	1	SCREW, head locating
4	4051374	1	SCREW, cam locating
5	4369452	1	WASHER, cam locating screw
6	4048610	2	SCREW, head locking
7	4369428	1	PLATE, name
8	4369429	2	SCREW, name plate
9	4048604	2	GASKET, timing line cover
10	4048603	2	COVER, timing line
11	4048605	4	SCREW, cover
12	4056488	1	SHAFT ASSY., shut-off (Replaces 4056490)
13	4369478-5	1	SCREW, spacer retainer (Replaces 4056485)
14	4056486	1	ARM, adj.
15	4054594	1	LEVER ASSY., shut-off
16	4051413	1	SPRING, lever
17	4056487	1	SCREW, retaining
18	4051412	1	RETAINER, spring
19	4056484	1	SPACER, adj., throttle & shut-off shaft
20	4058950	1	SCREW, high idle, adjust
		1	4058951 NUT, high idle, adjust.
21	4369878	2	SEAL, throttle & shut-off shaft
22	4053375	2	WASHER, throttle & shut-off shaft
23	4055442	2	BUSHING, throttle & shut-off shaft
24	4048636	1	SHAFT, governor arm pivot
25	4050910	2	SEAL, pivot shaft
26	4048642	2	NUT, pivot shaft
27	4053204	1	SHAFT, drive
		1	910224 KEY, woodruff, 5/32 x 5/8
28	4059241	1	BUTTON, thrust
29	4048600	1	SPRING, thrust, button
30	4048597	1	NUT, drive shaft
31	4048598	1	LOCKWASHER, drive shaft
32	4052540	2	SEAL, drive shaft
33	4048645	1	SCREW, throttle, low idle, adjusting
34	4048596	1	SEAL, pilot
35	4051833	1	PLUG, torque screw hole
36	4369432	1	WASHER, torque screw hole
37	4048627	1	GUIDE, idling spring
38	4049533	1	SPRING, idling
39	4048635	1	RETAINER, spring
40	4051499	1	SPRING, governor control
41	4053589	1	ARM, governor
42	4048624	1	SPRING, governor linkage
43	4052156	1	HOOK ASSY., governor linkage
44	4053267	3	WASHER, control cover
45	4053266	3	SCREW, control cover
		1	906957 LOCKWASHER, #10
46	4059237	1	CONNECTOR, return line
47	4051807	1	COVER, governor control
48	4048630	1	GASKET, control cover
49	4051559	1	CAM, shut-off
50	4049532	1	LEVER, throttle shaft
51	4054579	1	ARM ASSY., metering valve
52	4052915	1	SHIM, metering valve
53	4051498	1	VALVE, metering
54	4051502	1	SPRING, metering valve
55	4053315	1	SHAFT, shut-off
56	4055015	1	HOUSING ASSY., (Incl. item 23)
57	4054582	1	SCREW, torque
58	4369878	1	SEAL, torque screw
59	4054583	1	NUT, torque screw
60	4052917	1	CAP, torque screw
61	4048650	1	WASHER, stud guide
62	4051378	1	STUD, guide



## TRANSFER PUMP, HEAD &amp; ROTOR

ITEM	PART NUMBER	QTY.	DESCRIPTION	ASSEMBLY OR PACKAGE NO.
1	4052538	1	SCREW, retaining (Delivery Valve)	
2	4056590	1	STOP, delivery valve	
3	4051379	1	SPRING, delivery valve	
4	4053451	1	VALVE, delivery	
5	4059508	1	HEAD & ROTOR ASSY., hydraulic (Incl. ROTOR & PLUNGER) (Replaces 4056299)	
6	-----	2	PLUNGER, rotor (Not serviced Order Ass'y')	
7	4048608	2	SHOE, cam roller	
8	4369436	2	ROLLER, cam	
9	4369451	6	SCREW, fuel line connection	
10	4053590	1	SLEEVE, thrust	
11	4051381	1	PLUG, hydraulic head	
12	4054037	1	SPRING, leaf	
13	4369444	1	SEAL, hydraulic head	
14	4050184	1	CAM, ring	
15	4059596	1	RETAINER, governor weight	
16	4048620	1	WASHER, thrust	
17	4053385	6	WEIGHT, governor	
18	-----	1	See HOUSING & DRIVE Group	
19	4253433	1	RING, retainer, governor weight	
20	4053362	1	SCREW, leaf spring adjust	
21	4051388	1	PLUG, hydraulic head	
22	4056461-9	1	PLUG, hydraulic head (Replaces 4051381)	
23	4052541	1	RETAINER, vent wire	
24	4051387	1	WIRE, vent	
25	4050912	4	SCREW, end plate	
		1	4053267 WASHER	
		1	906957 LOCKWASHER, int-th., #10	
26	4055966	1	PLUG, end plate pipe	
27	4055965	1	PLATE ASSY., end	
28	4055959	1	PLATE, thrust	
29	4051385	2	RETAINER, rotor	
30	4051386	1	RING, rotor retainer	
31	4051376	1	LINER, transfer pump	
32	4059733	4	BLADE, transfer pump (Replaces 4055957)	
33	4055958	2	SPRING, transfer pump	
34	4369592	1	PIN, roll locating	
35	4050417	1	SEAL, transfer pump	
36	4055892	1	SPRING, regulating	
37	4369595	1	RING, sleeve seal	
38	4055961	1	ELEMENT, filter	
39	4059221	1	SLEEVE, end plate	
40	4055560	1	PLUG ASSY., end plate adjusting	
41	4369595	1	SEAL, end plate sleeve	
42	4055962	1	SEAL, element	
43	4369596	1	PISTON, regulating	
44	4059134	1	SEAL, regulating piston	
45	-----	1	RING, retaining (Order item 44)	

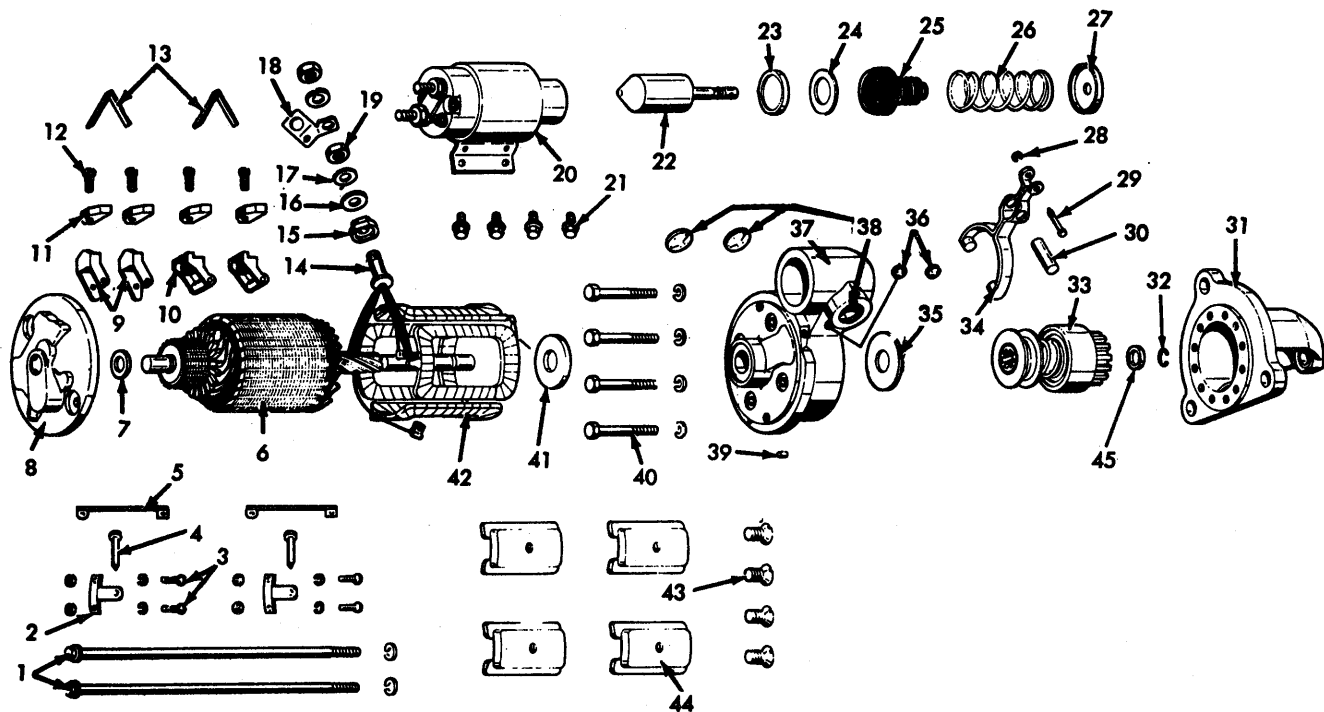
TRANSFER PUMP, HEAD & ROTOR



## STARTING MOTOR

ITEM	PART NUMBER	QTY.	DESCRIPTION	ASSEMBLY OR PACKAGE NO.
-	242143	1	MOTOR ASSY., starting (Incl. Items 1 thru 44)	
		2	921210 CAPSCREW, pltd., 3/8 NC x 1	
		2	916965 LOCKWASHER, 3/8	
1	243837	2	BOLT, thru	
		2	904205 LOCKWASHER, 5/16	
2	236340	1	SUPPORT ASSY., brush (Service Kit)(Incl. Items 3, 4 & 5)	
3	236342	2	SCREW, support	
		1	916621 NUT, #10 NC, pltd.	
		1	917365 LOCKWASHER, #10, pltd.	
4	914007	2	RIVET, support (Replaces 236348)	
5	236341	2	WIRE	
6	243807	1	ARMATURE	
7	241309	1	WASHER, spacer	
8	236333	1	FRAME ASSY., commutator end (Incl. BUSHING, PIPE PLUG, & WICK)	
	4047348	1	BUSHING, frame	
	4047365	1	PLUG, pipe	
	236334	1	WICK	
9	231318	2	HOLDER, brush ground	
10	236337	2	HOLDER, insulated brush	
11	236335	4	BRUSH	
12	241369	4	SCREW, brush	
13	236336	4	SPRING, brush	
14	236332	1	STUD, terminal	
		1	903584 NUT, 3/8NC	
		1	916965 LOCKWASHER, 3/8, pltd.	
15	231339	1	BUSHING, terminal stud	
16	231269	1	WASHER, terminal stud	
17	4042646	1	WASHER, plain	
18	243834	1	CONNECTOR, switch	
19	922131	1	NUT, terminal stud (Replaces 4042644)	
20	243828	1	SWITCH ASSY., solenoid	
21	4055569	4	SCREW, switch mounting	
22	243829	1	PLUNGER ASSY.	
23	241347	1	RETAINER, spring	
24	243830	1	WASHER, spring retainer	
25	241350	1	BOOT	
26	241344	1	SPRING	
27	241346	1	RETAINER, spring	
28	243832	1	RETAINER, pin	
29	243831	1	PIN, lever	
30	243827	1	SHAFT, lever	
31	243820	1	HOUSING ASSY., drive (Incl. BUSHING, WICK & PIPE PLUG)	
	234847	1	BUSHING	
	241335	1	WICK (Replaces 236334)	
	910230	1	PLUG, pipe, std., 1/8	
32	231329	1	RING, retainer, pinion stop	
33	231358	1	DRIVE ASSY., motor	
34	243826	1	LEVER ASSY., shift	
35	231260	1	WASHER, brake	
36	910001	2	PLUG, expansion, 5/8	
37	243813	1	HOUSING, lever (Incl. Items 36 & 38 & BUSHING & WICK & PLUG)	
	243814	1	BUSHING, lever housing	
	243818	1	WICK	
		1	243817 PLUG	
38	917278	2	PLUG, expansion, 1-3/16	
39	231240	1	DOWEL, drive housing	
40	919355	4	CAPSCREW, 5/16NC x 2-1/2, pltd.	
		1	904205 LOCKWASHER, 5/16	
41	243819	1	WASHER	
42	243811	1	COIL ASSY., field (Incl. Item 14)	
	231299	2	INSULATION, field coil	
43	231265	8	SCREW, pole shoe	
44	241297	4	SHOE, pole	
45	231328	1	COLLAR, pinion stop	

STARTING MOTOR



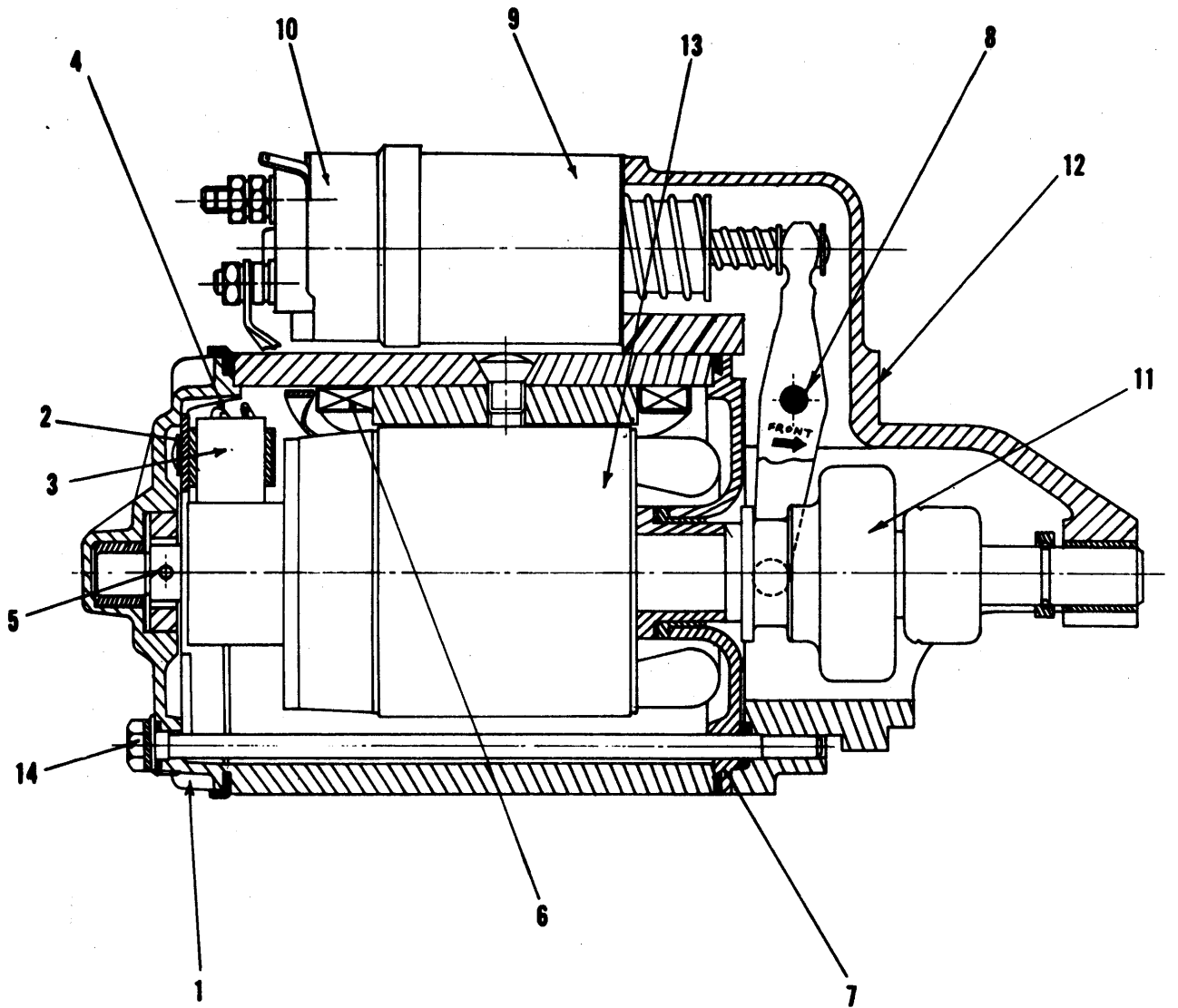
## STARTING MOTOR

Tractor S/N 1334 to 1335, 1342 to 1348, 1350 &amp; Up.

ITEM	NUMBER	QTY.	DESCRIPTION
—	1012896-5	1	MOTOR, Lucas starting
1	1002912-2	1	KIT, Brush
2	1002913-0	1	KIT, Bracket, comm. end
3	1002914-8	1	KIT, Mount plate, brush
4	1002915-5	1	KIT, Bushing
5	1002916-3	1	KIT, Spring brush
6	1002917-1	1	KIT, Bolt, through
7	1002918-9	1	KIT, Brace
8	1012899-9	1	KIT, Drive
9	1012898-1	1	KIT, Bracket, drive end
10	1002921-3	1	KIT, Bracket, interm
11	1012897-3	1	KIT, Armature
12	1012900-5	1	SOLENOID
13	1002924-7	1	KIT, Cover, solenoid
14	1002925-4	1	KIT, Link, solenoid
15	1002926-2	1	KIT, Field coil
16	1002927-0	1	KIT, Seal
17	1002928-8	1	KIT, Misc. parts

REVISED 1/74

STARTING MOTOR  
Tractor S/N 1334 to 1335, 1342 to 1348, 1350 & Up





## GENERATOR

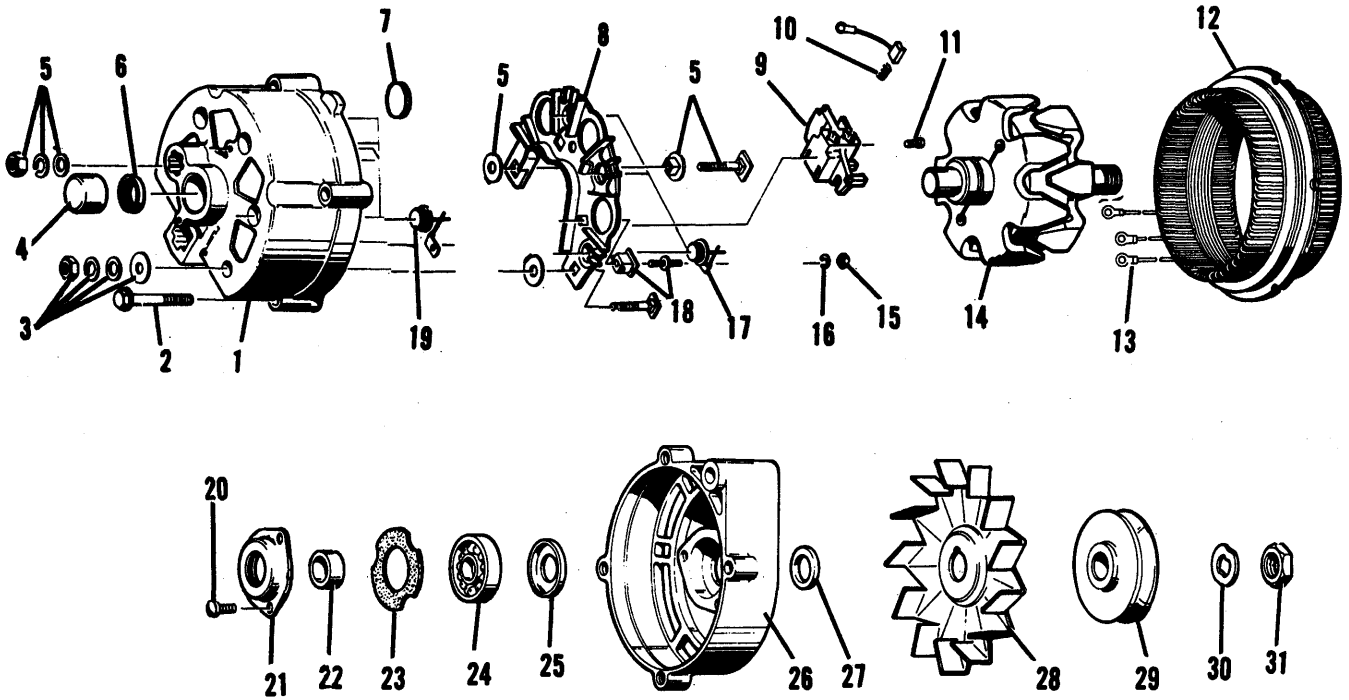
ITEM	PART NUMBER	QTY.	DESCRIPTION	ASSEMBLY OR PACKAGE NO.
-	243734	1	GENERATOR ASSY., (Incl. Items 1 thru 27 & 30, 31) (Delco Remy No. 1100720)	
1	242809	1	KIT, slip ring end frame (Incl. Items 4, 6, 7, 19 & INSULATORS)	
2	242838	4	BOLT, thru	
3	242822	1	KIT, battery terminal (Incl. STUD, 2 WASHERS, INSULATOR, 2 LOCKWASHERS, 2 UNITS & INSTRUCTION SHEET)	
4	242819	1	BEARING, slip ring end frame	
5	242823	1	KIT, ground terminal (Incl. TERMINAL STUD, INSULATOR, 2 WASHERS, 2 LOCKWASHERS & 2 NUTS)	
6	1142677	1	SEAL ASSY., bearing (Incl. 2 WASHERS & 1 CUP)(Replaces 242844)	
7	242845	1	RETAINER, capacitor	
8	242813	1	KIT, heat sink (Incl. Items 16, 17 & 18)	
9	243791	1	HOLDER ASSY., brush (Incl. BRUSHES & Item 10)	
10	242818	2	SPRING, brush	
11	242835	1	SCREW, brush holder attaching	
12	242811	1	STATOR ASSY., (Incl. Item 13)	
13	242840	3	CLIP, stator lead terminal	
14	243788	1	ROTOR ASSY., (Incl. SHAFT, SLIP RING, TERMINALS, INSULATORS, SEGMENTS & COIL ASSY.)	
15	917385	1	NUT, shaft	
16	242831	4	LOCKWASHER	
17	242815	2	KIT, diode, positive silicon rectifier (Incl. INSTRUCTION SHEET)	
18	242825	1	KIT, diode junction terminal (Incl. INSULATOR & STUD)	
19	242814	3	KIT, diode, negative silicon rectifier	
20	243792	1	SCREW, bearing retainer	
21	242826	1	RETAINER ASSY., bearing (Incl. FELT WASHER)	
22	242828	1	COLLAR, shaft (inside)	
23	4042832	1	GASKET	
24	4044032	1	BEARING, drive end	
25	4055555	1	LINGER, bearing drive end	
26	242812	1	FRAME, drive end	
27	242829	1	COLLAR, shaft outside	
28	239967	1	FAN, generator	
29	250599	1	PULLEY, generator	
30	237006	1	LOCKWASHER, shaft nut	
31	4054799	1	NUT, shaft, D.E.	

## GENERATOR

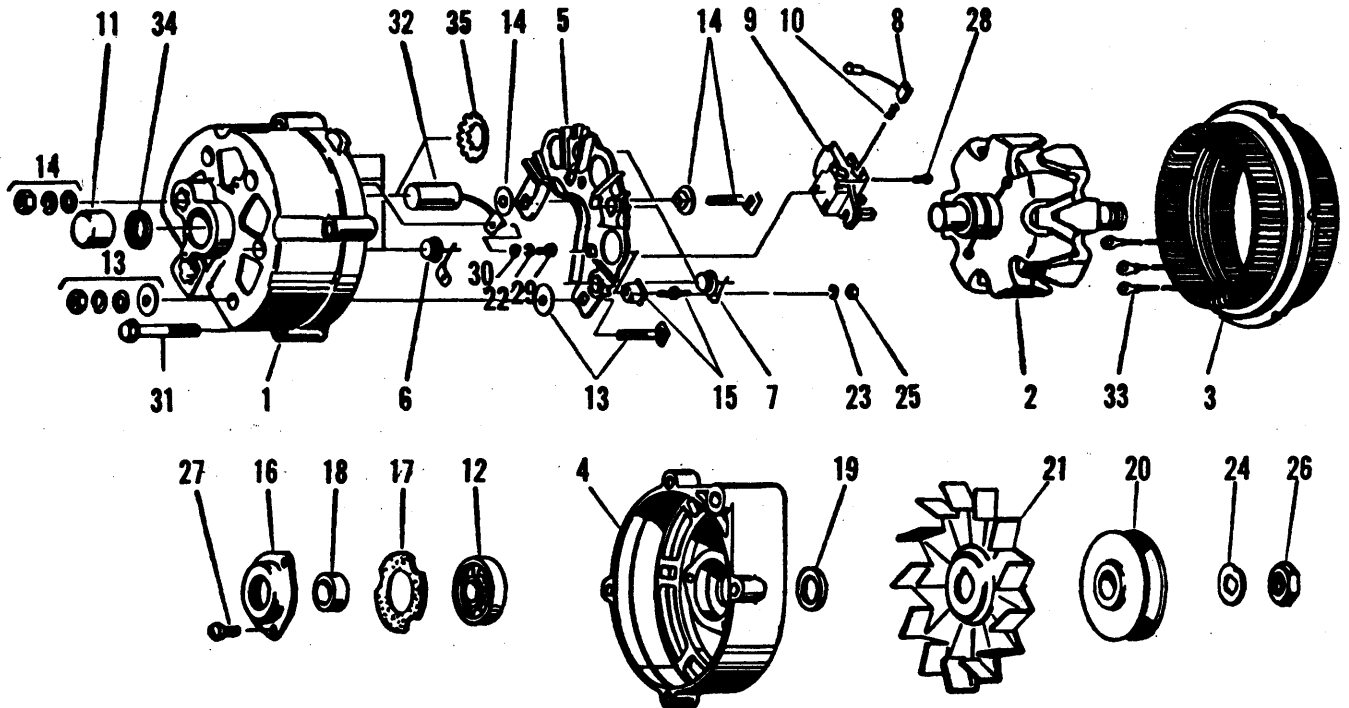
ITEM	PART NUMBER	QTY	DESCRIPTION	ASSEMBLY OR PACKAGE NO.
-	669277	-	GENERATOR ASSY., (Incls. Item 1 thru 35)	
1	1142668	1	KIT, slip ring end frame (Incl. Item 6, 11, 34 & 35) 1 242842 INSULATOR 1 242836 WASHER	
2	243788	1	ROTOR ASSY., (Incl. Shaft, Slip Ring, Terminal, Insulators, Segments & Coil Assy.)	
3	242811	1	STATOR ASSY., (Incl. Item 33)	
4	242812	1	FRAME, drive end	
5	242813	1	KIT, heat sink (Incls. Items 7, 15, 23 & 25) 1 242842 INSULATOR 1 242836 WASHER	
6	1142669	3	KIT, diode, negative silicon rectifier	
7	1142671	2	KIT, diode, negative silicon rectifier	
8	-----	1	BRUSH, (Not Serviced)	
9	243791	1	HOLDER ASSY., brush (Incl. Item 8)	
10	242818	2	SPRING, brush	
11	1142670	1	BEARING, slip ring end frame	
12	231393	1	BEARING, drive end	
13	242822	1	KIT, battery terminal (Incl. Stud, 2 Washer, Insulator, 2 Washer, 2 Nuts, Inst. Sheet)	
14	242823	1	KIT, ground terminal (Incl. Terminal Stud, Insulator, 2 Washer, 2 LW & 2 Nuts)	
15	242825	1	KIT, diode junction terminal (Incl. Insulator & Stud)	
16	242826	1	RETAINER ASSY., bearing (Incl. Felt Washer)	
17	4042832	1	GASKET	
18	242828	1	COLLAR, shaft (inside)	
19	242829	1	COLLAR, shaft (outside)	
20	249928	1	PULLEY, generator, gas	
	250896	1	PULLEY, generator, diesel	
	246251	1	PULLEY, generator, diesel	
21	4513922	1	FAN, generator	
22	242831	1	WASHER, lock	
23	242831	6	WASHER, lock	
24	237006	1	WASHER, lock, shaft nut	
25	917385	3	NUT	
26	4054799	1	NUT, shaft, D.E.	
27	243792	1	SCREW, bearing retainer	
28	242835	2	SCREW, brush holder attaching	
29	917443	1	SCREW, capacitor terminal	
30	242837	1	WASHER, plain capacitor terminal screw	
31	242838	4	BOLT, thru	
32	242839	1	CAPACITOR	
33	242840	3	CLIP, stator lead terminal	
34	1142677	1	SEAL ASSY., bearing (Incl. 2 Washers & 1 Cup)	
35	242845	1	RETAINER, capacitor retaining	

REVISED 1/74

GENERATOR



GENERATOR



## BATTERY &amp; ELECTRIC STARTING

ITEM	PART NUMBER	QTY.	DESCRIPTION	ASSEMBLY OR PACKAGE NO.
1	242132	1	BOX, battery	
			6 923347 CAPSCREW, pltd., 3/8NC x 3/4	
			5 916950 NUT, pltd., 3/8NC	
			6 916965 LOCKWASHER, pltd., 3/8	
2	242133	1	COVER ASSY., (Incl. LATCH)	
			2 923347 CAPSCREW, pltd., 3/8NC x 3/4	
			3 916965 LOCKWASHER, 3/8	
			2 916950 NUT, pltd., 3/8NC	
3	243473	2	BATTERY, 12 Volt	
4	925285	1	CLAMP	
			1 919357 CAPSCREW, pltd., 3/8NC x 7/8	
			1 916965 LOCKWASHER, pltd., 3/8	
			1 916950 NUT, pltd., 3/8NC	
5	242137	1	CABLE, battery to ground	
6	249788	3	ROD, battery hold down	
			1 917377 WASHER, pltd., 1/4	
			1 916622 NUT, pltd., 1/4	
7	923114	1	CAPSCREW, pltd., 1/2 x 1	
			1 916966 LOCKWASHER, pltd., 1/2	
			1 916951 NUT, pltd., 1/2NC	
8	4021689	1	BRACKET, altnr. support	
			1 922918 CAPSCREW, pltd., 3/8NC x 3-1/4	
			1 916965 LOCKWASHER, pltd., 3/8	
			1 916950 NUT, pltd., 3/8NC	
9	-----	1	GENERATOR ASSY., Delcotron (See GENERATOR Group for Components)	
			1 918875 CAPSCREW, pltd., 5/16NC x 1-1/8	
			1 917356 LOCKWASHER, pltd., 5/16	
			1 917642 WASHER, pltd., 5/16	
10	4020132	1	BRACKET, altnr. adj.	
			1 916269 CAPSCREW, 3/8NC x 7/8	
			1 904206 LOCKWASHER, 3/8	
11	4255545	1	CONNECTOR, generator	
12	239215	1	CLAMP	
	243986	1	REGULATOR, voltage	
			1 907727 CAPSCREW, pltd., 1/4NC x 5/8	
13			1 916964 LOCKWASHER, pltd., 1/4NC	
			1 916622 NUT, pltd., 1/4NC	
	243987	1	KIT, regulator mounting	
14	249787	1	RETAINER,	
15	243314	1	CABLE, ground	
16	243315	1	CABLE, battery to starter	
17	245452	1	CLAMP	

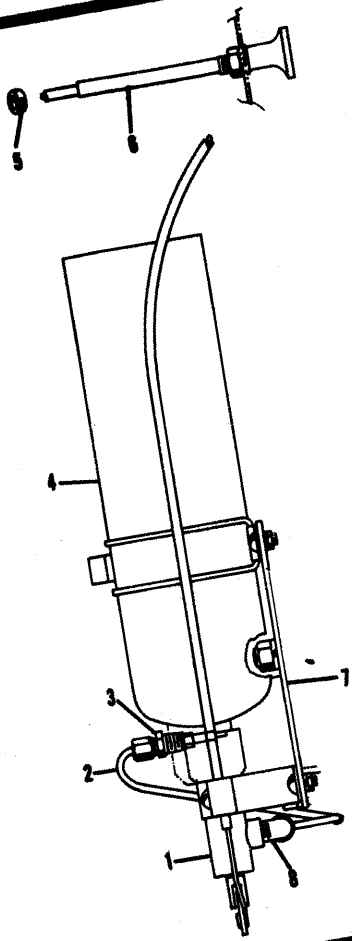


## ETHER STARTING SYSTEM

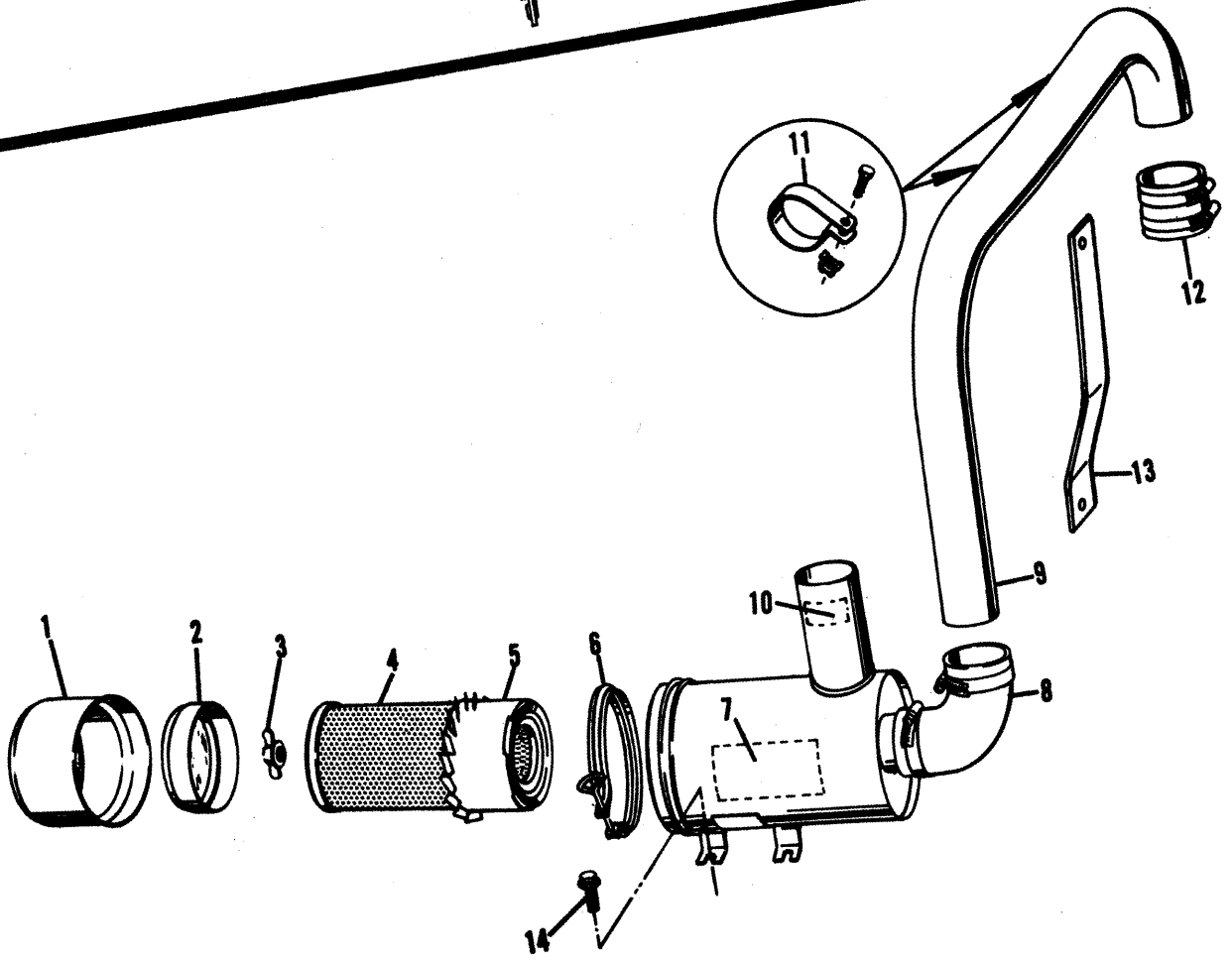
ITEM	PART NUMBER	QTY.	DESCRIPTION	ASSEMBLY OF PACKAGE NO
1	{ 251886	1	BODY ASSY., valve	
	0255949-0	1	KIT, repair metering valve (Replaces 251436)	
2	251885	1	TUBE, coiled	
3	240834	1	FITTING ASSY., manifold	
4	240028	1	CARTRIDGE, fuel cylinder replacement	
		4	916080 SCREW, mach., #10-24 x 1/2	
		4	917365 LOCKWASHER, #10	
		4	916621 NUT, #10-24	
5	253308	1	STOP, cable (Not Illustrated)	
		1	917384 SCREW, #10NF x 5/16, pltd.	
6	251428	1	CABLE ASSY., choke wire	
7	{ 251887	1	BRACKET ASSY., clamp	
	0255589-4	1	BRACKET (Replaces 243452)	
8	911293	1	ELBOW, 1/8	
-	200479	1	CLIP, tubing (Not Illustrated)	

## AIR CLEANER

ITEM	PART NUMBER	QTY.	DESCRIPTION	ASSEMBLY OR PACKAGE NO.
-	248882	1	CLEANER ASSY., air (Incl. items 1 thru 6 & body)	
1	243166	1	CUP, air cleaner	
2	640658	1	SKIRT, baffle	
3	239517	1	NUT ASSY., element retainer (Incl. GASKET)	
4	243163	1	ELEMENT ASSY., air cleaner (Incl. GASKET)	
5	243164	1	GASKET, element	
6	629123	1	CLAMP ASSY., body	
7	249908	1	TRANSFER, air cleaner instruction	
8	243168	1	HOSE, elbow	
		2	921914 CLAMP, hose, 2-15/16 x 3-1/4	
9	247077	1	TUBE, air cleaner	
10	242583	1	TRANSFER, ether instructions	
11	243170	1	CLAMP, air cleaner tube	
		1	919319 CAPSCREW, 5/16NC x 7/8, pltd.,	
		1	918265 WASHER, plain, 11/32 x 11/16 x 1-1/16	
		1	917356 LOCKWASHER, pltd., 5/16	
		1	917372 NUT, pltd., 5/16	
12	243175	1	HOSE, tube to heater housing	
		2	921914 CLAMP, tube, 2-15/16 x 3-1/4	
13	249434	1	BRACKET, tube	
	243157	2	CAPSCREW, special (Rear)	
14	{ 919318	2	CAPSCREW, front, 5/16NC x 5/8	
		1	917356 LOCKWASHER, 5/16	
		1	916159 NUT, 5/16NC	



AIR CLEANER



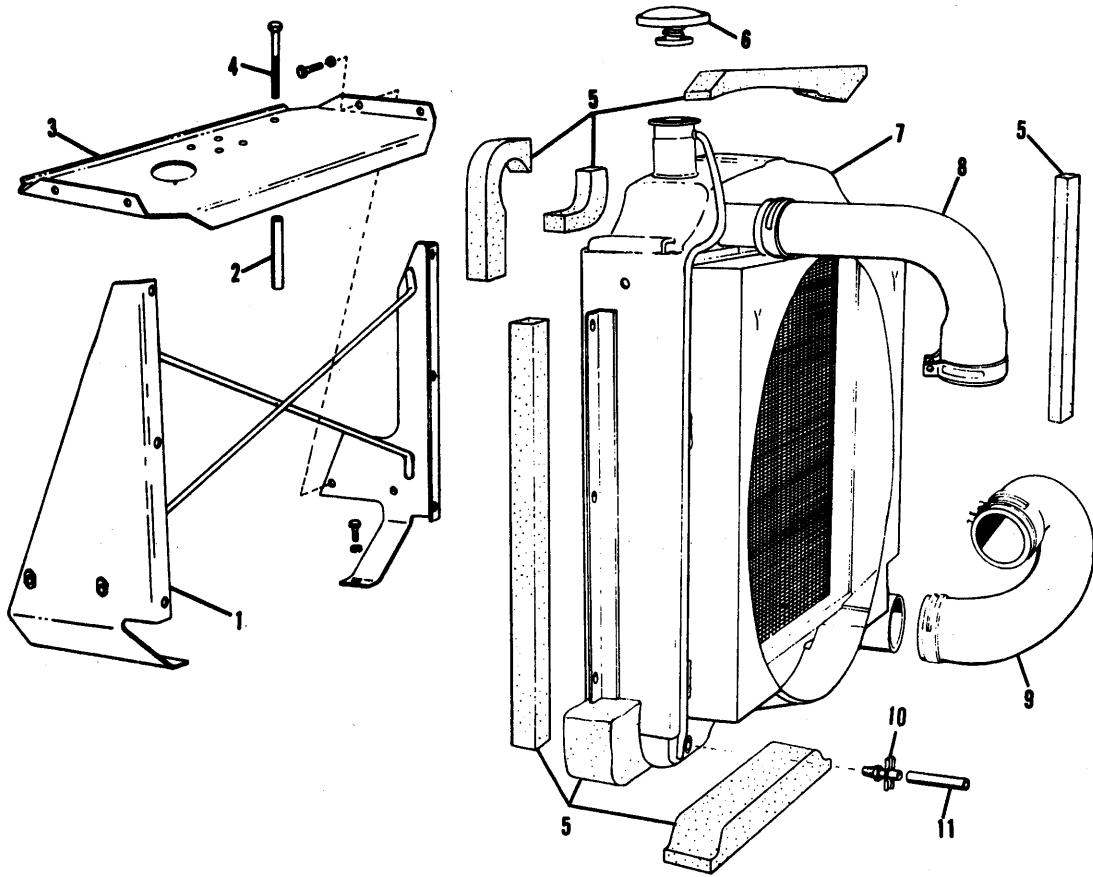
## RADIATOR &amp; SUPPORTS

ITEM	PART NUMBER	QTY.	DESCRIPTION	ASSEMBLY OR PACKAGE NO.
1	250968	1	SUPPORT ASSY., radiator	
			9 919357 CAPSCREW, 3/8NC x 7/8	
			9 916965 LOCKWASHER, 3/8, pltd.	
			6 918266 WASHER, plain, pltd., 3/8	
			6 916950 NUT, hex. pltd., 3/8NC	
2	247812	1	CYLINDER, hollow	
3	250972	1	SUPPORT, air cleaner	
			4 918228 CAPSCREW, pltd., 3/8NC x 5/8	
			4 916965 LOCKWASHER, pltd. 3/8	
4	924047	1	CAPSCREW, 3/8NC x 4-3/4, gr. 5	
			1 916965 LOCKWASHER, 5/16, pltd.	
5	249315	1	KIT, seal pad (Incl. COMPLETE SET)	
			1 919151 CEMENT, adhesive	
6	254896	1	CAP, pressure (Replaces 228817)	
7	250730	1	RADIATOR (Incl. CAP)	
8	243014	1	HOSE, radiator to thermostat	
			2 921913 CLAMP, hose, 1-13/16-2-3/4	
9	248233	1	HOSE ASSY., radiator to water pump	
			2 921913 CLAMP, hose, 1-13/16 - 2-3/4	
10	229210	1	COCK, radiator drain	
11	236659	1	HOSE, drain cock	

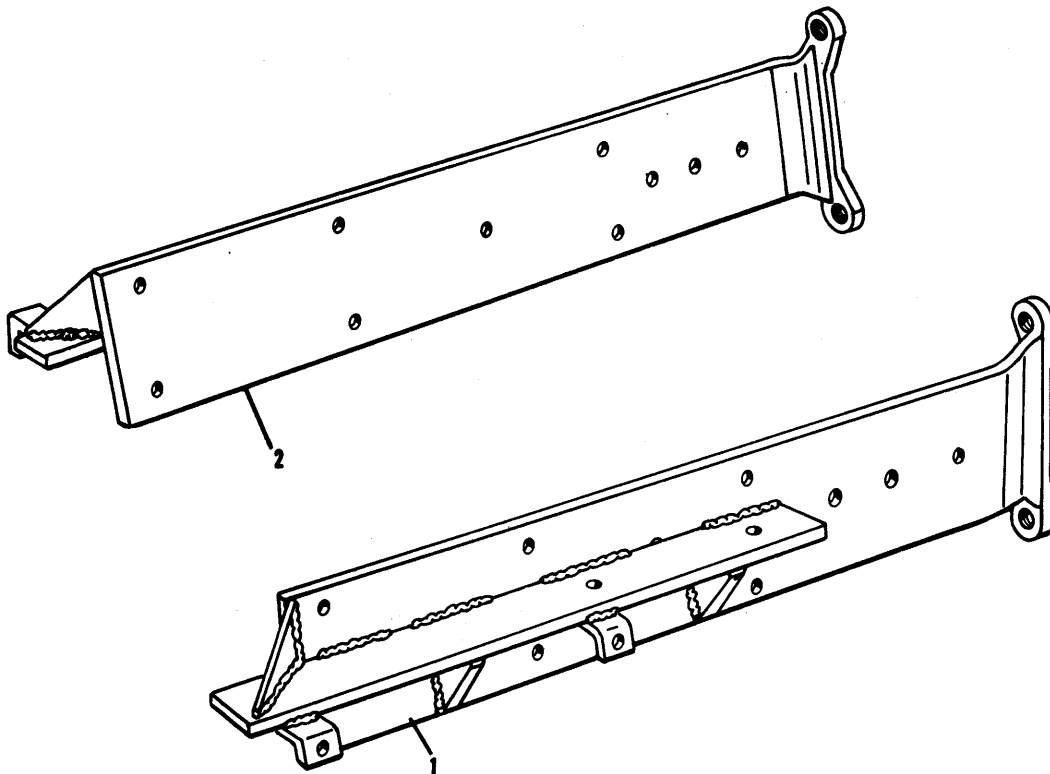
## SIDE FRAME

ITEM	PART NUMBER	QTY.	DESCRIPTION	ASSEMBLY OR PACKAGE NO.
1	250941	1	FRAME ASSY., side, L. H.	
			2 922544 CAPSCREW, 3/4NC x 2-3/4	
			2 921525 CAPSCREW, 1/2NC x 1-3/4	
			2 918309 NUT, lock, 1/2NC	
			4 923788 CAPSCREW, flanged hd., 3/4NC x 1-3/4	
2	250942	1	FRAME ASSY., side R. H.	
			2 922544 CAPSCREW, 3/4NC x 2-3/4	
			2 921525 CAPSCREW, 1/2NC x 1-3/4	
			2 918309 NUT, lock, 1/2NC	
			4 923788 CAPSCREW, flanged hd., 3/4NC x 1-3/4	

RADIATOR & SUPPORTS



SIDE FRAME





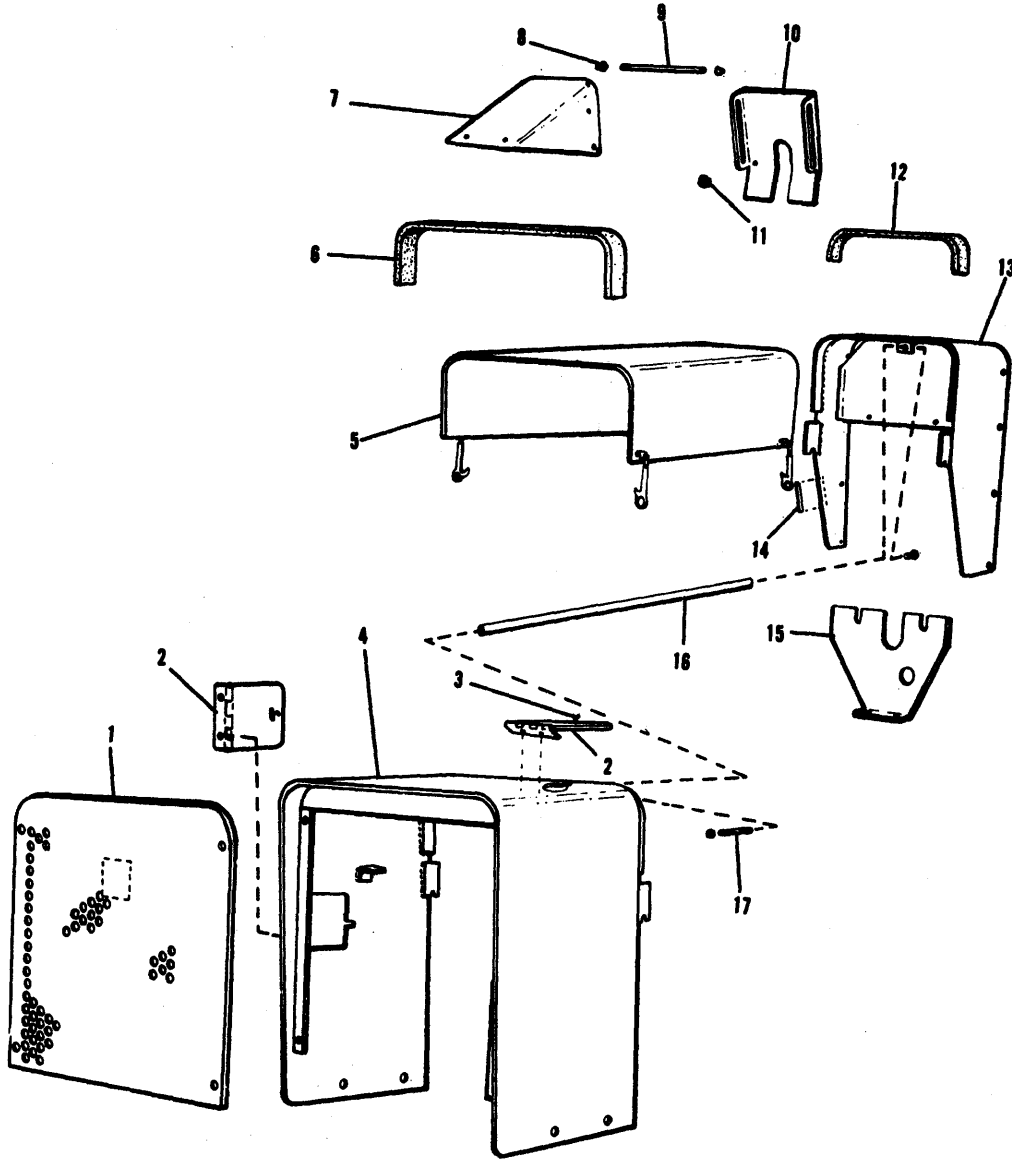
**RADIATOR SHELL, GRILLE & HOOD**

ITEM	PART NUMBER	QTY.	DESCRIPTION	ASSEMBLY OR PACKAGE NO.
1	247775	1	GRILLE ASSY.	
			4 923114	CAPSCREW, pltd., 1/2NC x 1, gr. 5
			4 916966	LOCKWASHER, pltd., 1/2
			4 918431	WASHER, plain, pltd., 1/2
			1 -----	DECAL, trademark . . . . . 247616
2	246710	2	COVER ASSY.	
			2 920415	CAPSCREW, pltd., 3/8NC x 1-1/4, gr. 5
			2 916965	LOCKWASHER, pltd., 3/8
			2 916950	NUT, hex., pltd., 3/8NC
3	246717	2	SCREW, wing	
			1 919438	NUT, lock, pltd., 5/16NC
4	250970	1	SHELL ASSY.	
5	250955	1	HOOD ASSY.	
6	247602	1	RECTANGLE, packing stripe	
7	251704	1	SHROUD, instrument	
			6 923919	SCREW, tapping, w/LOCKWASHER, #14-14 x 1/2
8	254303	2	CAP (Replaces 251762)	
			2 254304	NUT, speed (Push On)
9	251763	1	PIN, hinge	
			2 900970	PIN, cotter, 1/16 x 1/2
10	251761	1	COVER, vandalism	
11	241083	2	BUMPER	
12	241887	1	STRIP, packing	
13	250954	1	SUPPORT ASSY., hood	
			8 921332	CAPSCREW, pltd., 5/16NC x 3/4, gr. 5
			8 917356	LOCKWASHER, pltd., 5/16
			4 917642	WASHER, plain, pltd., 5/16
			2 917372	NUT, hex. pltd., 5/16NC (R.H. side only)
			2 921221	CAPSCREW, 5/16NC x 1-1/2, pltd., gr. 5
			2 917356	LOCKWASHER, pltd., 5/16
14	243903	1	STRIP (R.H. side only)(Hose Protector Side Sheet Edge)	
			1 919151	CEMENT
15	247682	1	BAFFLE, hood support	
			2 922920	CAPSCREW, hex. hd., pltd., 3/8NC x 5/8
			2 918266	WASHER, plain, pltd., 13/32 x 13/16 x 1/16
16	252359	1	ROD, tie	
			1 923114	CAPSCREW, pltd., 1/2NC x 1, gr. 5
			1 916966	LOCKWASHER, pltd., 1/2
17	252360	1	STUD	
			2 910510	NUT, 1/2NC
			1 904208	LOCKWASHER, 1/2

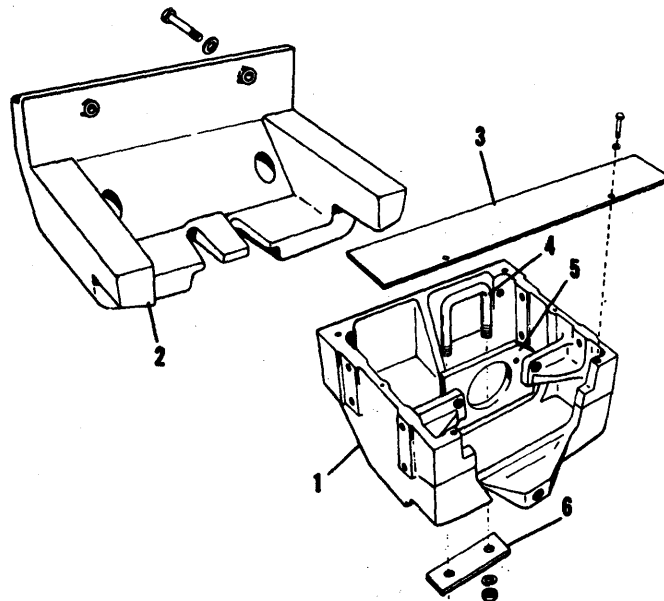
**FRONT SUPPORT & WEIGHT**

ITEM	PART NUMBER	QTY.	DESCRIPTION	ASSEMBLY OR PACKAGE NO.
1	252422	1	SUPPORT, front	
2	-----	1	WEIGHT, front (See MACHINERY PRICE LIST)	
			2 922518	CAPSCREW, 3/4NC x 4-1/2, gr. 5
			2 910255	WASHER, 3/4
3	254328	1	RECTANGLE, long	
			2 921965	CAPSCREW, 3/8NC x 3/4, pltd., gr. 5
			2 916965	LOCKWASHER, pltd., 3/8
4	247023	1	U-BOLT	
5	1003645	1	PLATE, mounting, front pump (Replaces 247080)	
			2 921024	CAPSCREW, pltd., 1/2NC x 2, gr. 5
			2 916966	LOCKWASHER, 1/2, pltd.
			2 916951	NUT, hex. pltd., 1/2NC
6	247024	1	RECTANGLE	
			2 904369	LOCKWASHER, 3/4
			2 910923	NUT, 3/4NC

RADIATOR SHELL, GRILLE & HOOD



FRONT SUPPORT & WEIGHT



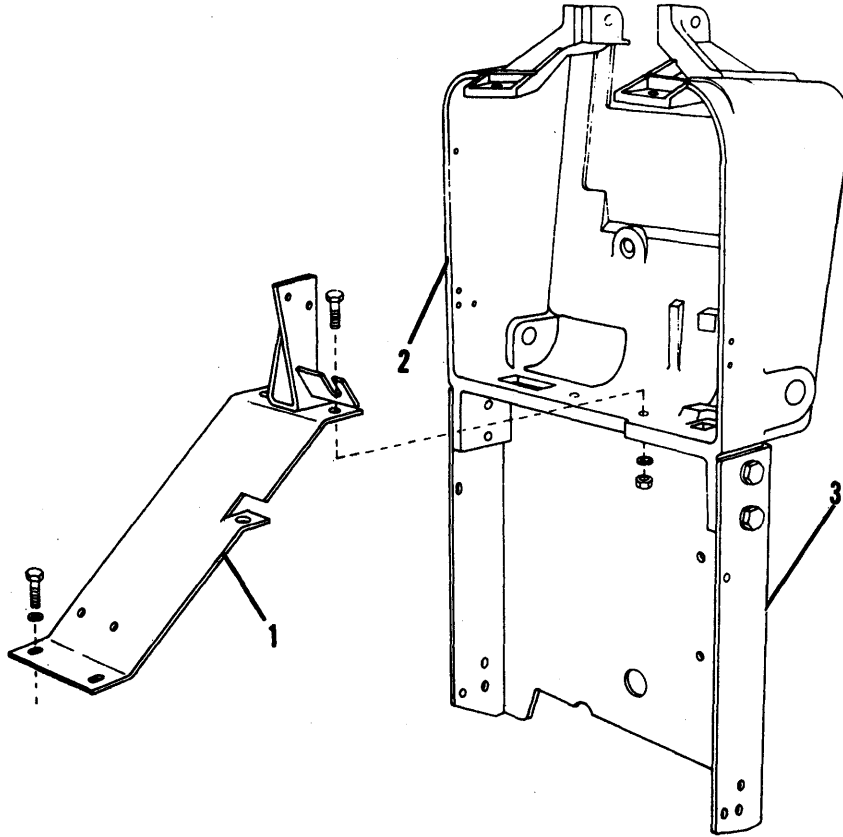
## REAR HOOD SUPPORT

ITEM	PART NUMBER	QTY.	DESCRIPTION	ASSEMBLY OR PACKAGE NO.
1	243085	1	BRACE ASSY., rear hood support	
			2 913717 CAPSCREW, 1/2NC x 1-1/8 (to torque hsg.)	
			2 916966 LOCKWASHER, 1/2	
			2 920328 CAPSCREW, 1/2NC x 1-1/2, (Hood Support)	
			2 916966 LOCKWASHER, 1/2	
			2 916951 NUT, 1/2NC	
2	243084	1	SUPPORT, rear hood, upper	
3	0256807-9	1	SUPPORT, rear hood, lower (Replaces 243716)	
			4 913717 CAPSCREW, 1/2NC x 1-1/8	
			4 916966 LOCKWASHER, 1/2	
			2 910244 WASHER, 1/2	
			4 916951 NUT, 1/2NC	

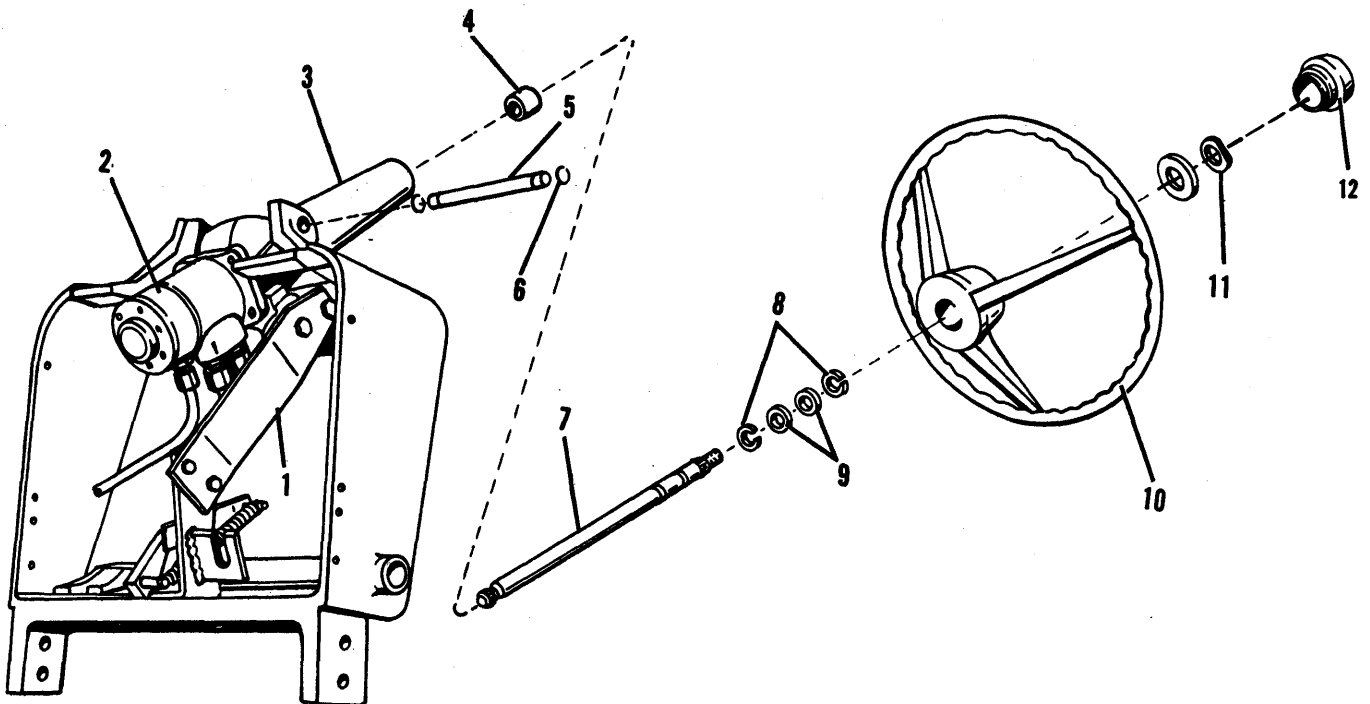
## STEERING WHEEL &amp; SHAFT

ITEM	PART NUMBER	QTY.	DESCRIPTION	ASSEMBLY OR PACKAGE NO.
1	254455	1	BRACKET	
			2 919319 CAPSCREW, pltd., 5/16NC x 7/8	
			2 917356 LOCKWASHER, pltd., 5/16	
			2 917372 NUT, hex. pltd., 5/16NC	
2	-----	1	VALVE ASSY., control, (See CONTROL VALVE Group for Components)	
			3 921210 CAPSCREW, pltd., 3/8NC x 1, gr. 5	
			1 912267 CAPSCREW, gr. 8, 3/8NC x 1	
			4 916965 LOCKWASHER, pltd., 3/8	
3	243254	1	SUPPORT ASSY., steering shaft (Incl. BUSHING)	
			2 920282 CAPSCREW, pltd., 1/2NC x 1-1/8	
			2 916966 LOCKWASHER, pltd., 1/2	
4	228255	1	BUSHING, support	
5	243256	1	PIN, pivot	
			2 913540 WASHER, plain, 21/32 x 1 x #20	
6	243257	2	RING, clip, extension	
7	243760	1	SHAFT, steering	
			1 919391 WASHER, plain, pltd., 29/32 x 1-1/2 x #12	
8	228208	2	RING, snap	
9	232694	*	SHIM (* Use as req'd.)	
10	242933	1	WHEEL, hand, steering	
11	252471	1	NUT, center lock	
12	246722	1	CAP ASSY.	

REAR HOOD SUPPORT



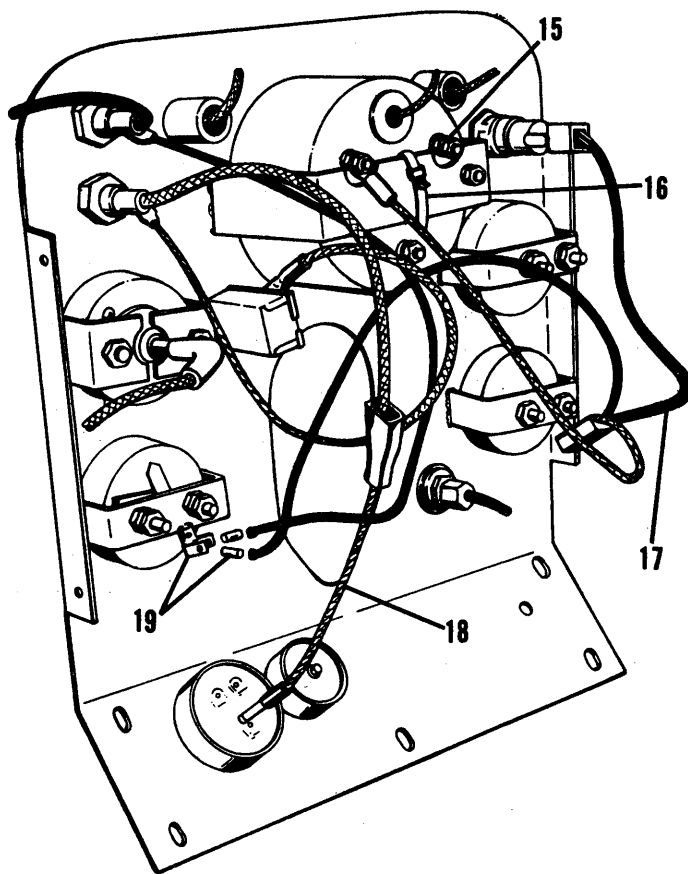
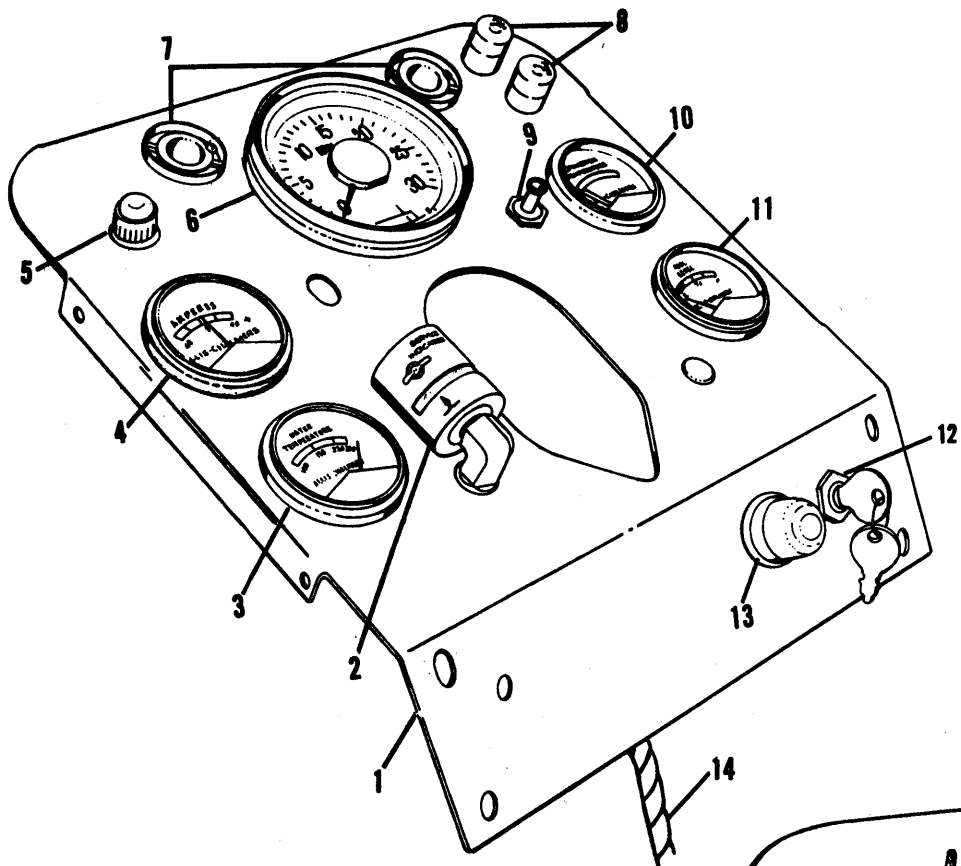
STEERING WHEEL & SHAFT



## INSTRUMENT PANEL

ITEM	PART NUMBER	QTY.	DESCRIPTION	ASSEMBLY OR PACKAGE NO.
1	245571	1	PANEL ASSY., instrument	
2	-----	1	INDICATOR ASSY., (Refer to AIR FILTER INDICATOR Group)	
3	240989	1	GAUGE ASSY., water temperature (Incl. CLAMP)	
		2	909055 LOCKWASHER, #10	
		2	906938 WASHER, #10	
		2	916880 NUT, #10NF	
4	254407	1	AMMETER ASSY., (Incl. CLAMP) (Replaces 240987)	
		2	909055 LOCKWASHER, #10	
		4	906938 WASHER, #10	
		4	916880 NUT, #10NF	
5	240837	1	LIGHT ASSY., indicator	
		1	----- TRANSFER, oil pressure engine . . . . .	247616
6	252410	1	METER, tach-hour	
	234404	2	LAMP ASSY., dash (Incl. BULB & COVER)	
	-----	2	BULB, #67-12 Volt (Obtain Locally)	
	234357	2	COVER, lamp	
		2	907893 SCREW, s-tap #4 x 1/4	
	230246	2	HOLDER, fuse	
		1	909589 LOCKWASHER, int-tooth, pltd., 1/2	
	208960	2	FUSE	
	234409	2	SWITCH, lighting	
10	245244	1	GAUGE ASSY., converter temp. (Incl. CLAMP)	
		2	917389 LOCKWASHER, #12	
		2	917376 NUT, #12NF	
11	240988	1	GAUGE ASSY., fuel (Incl. CLAMP)	
		2	916880 NUT, #10NF	
		2	909055 LOCKWASHER, #10	
		2	906938 WASHER, #10	
	241965	1	SWITCH, key (Incl. KEY)	
	241977	1	KEY, ignition switch	
	227195	1	WASHER	
	253322	1	SWITCH ASSY., (Incl. CAP & NUT ASSY & SWITCH)	
		1	910543 LOCKWASHER, ext.tooth, 5/8	
	253320	1	SWITCH	
	253321	1	CAP & NUT ASSY.	
14	251615	1	HARNESS, wiring, front	
15	230560	1	TERMINAL, adapter	
16	239726	1	TIE	
17	244994	1	CABLE, instrument	
18	248112	1	WIRE ASSY., fuse to key switch	
	230170	1	ADAPTER, terminal	
	246355	1	SLEEVE, insulation	
--	251712	1	WIRE ASSY., headlamp (To Headlight Switch) (Not Illustrated)	

INSTRUMENT PANEL



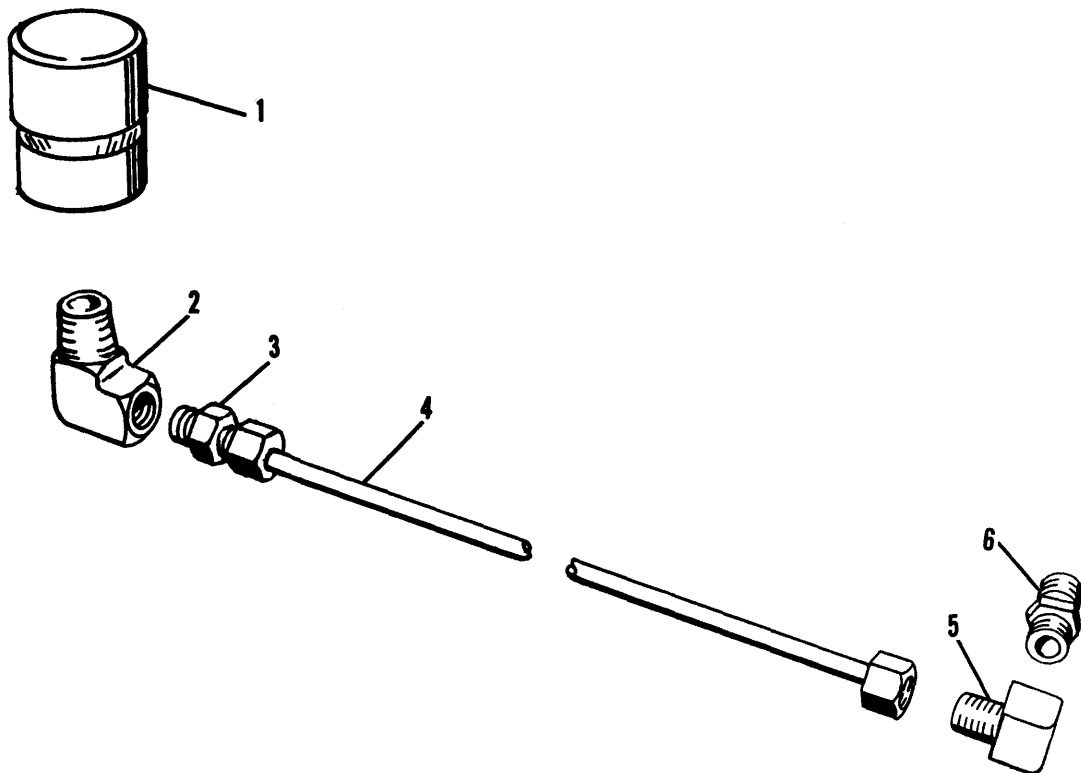
**AIR FILTER INDICATOR**

ITEM	PART NUMBER	QTY.	DESCRIPTION	ASSEMBLY OR PACKAGE NO.
1	4021600	1	INDICATOR ASSY., 25", H <sub>2</sub> O	
2	923690	1	ELBOW	
		1	1    922844    LOCKWASHER, int. tooth, 7/16, pltd.	
		2	2    916956    LOCKWASHER, 13/32 x 3/4 x #16	
3	910126	1	CONNECTOR ASSY., male	
4	254598	1	TUBE ASSY. (Replaces 250833)	
5	913474	1	ELBOW, compr. female, 3/16 x 1/8	
6	3038547	1	NIPPLE ASSY., (Incl. FILTER) (Replaces 241056)	

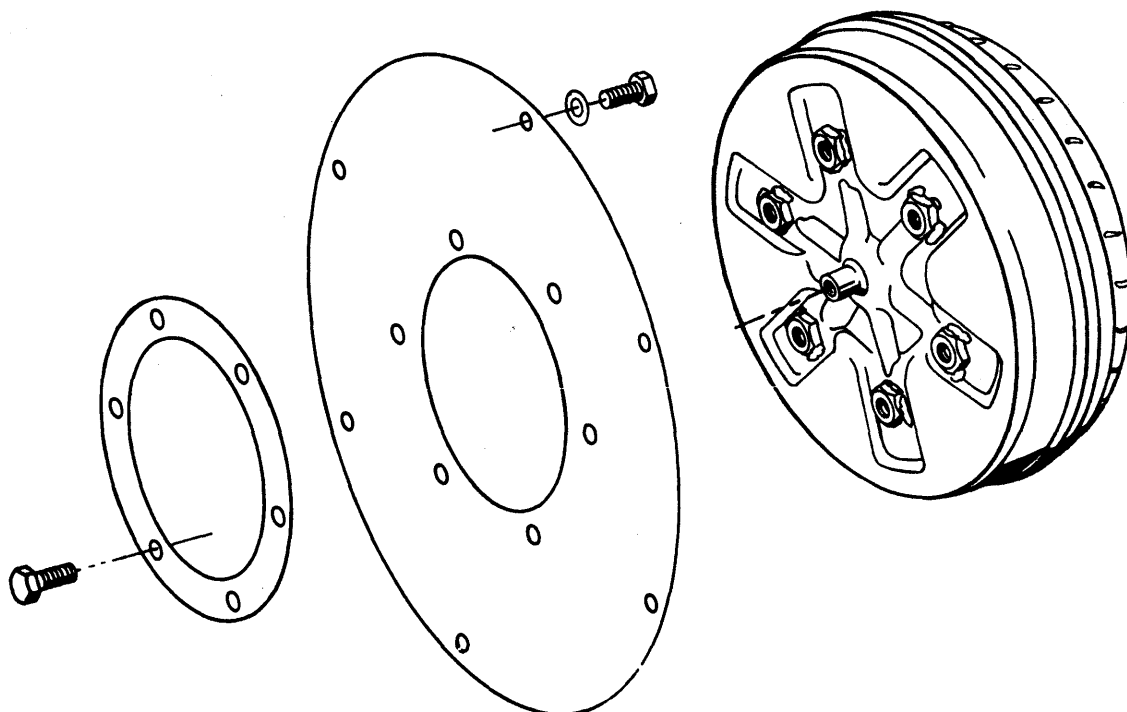
**TORQUE CONVERTER**

ITEM	PART NUMBER	QTY.	DESCRIPTION	ASSEMBLY OR PACKAGE NO.
-	289583	1	CONVERTER ASSY., torque (Incl. CONVERTER & Item 1) (Replaces 289553)	
1	252427	1	KIT, drive plate repair (Incls. DRIVE PLATE, PLATE REINFORCEMENT, PLATE BOLTS & DRIVE PLATE WASHERS)	

AIR FILTER INDICATOR



TORQUE CONVERTER





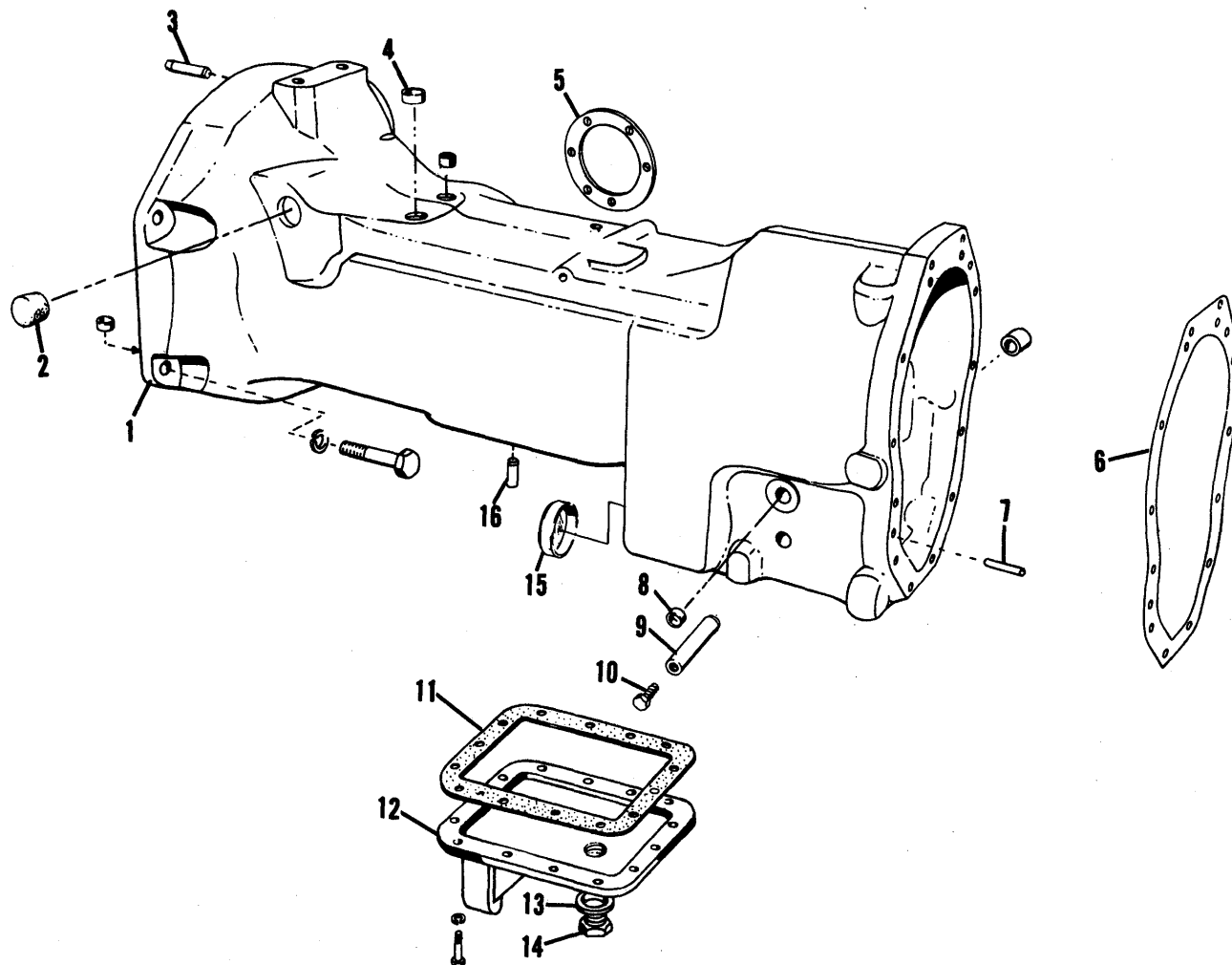
## TORQUE HOUSING

ITEM	PART NUMBER	QTY.	DESCRIPTION	ASSEMBLY OR PACKAGE NO.
1	255210	1	HOUSING ASSY., (Incl. items 4 thru 13) (Replaces 247960)	
			9 920584 CAPSCREW, pltd., 1/2NC x 1-5/8, gr. 8	
			1 920585 CAPSCREW, pltd., 1/2NC x 1-3/4, gr. 8	
			3 920574 CAPSCREW, pltd., 1/2NC x 1-3/8, gr. 8	
			13 904208 LOCKWASHER, 1/2	
			1 918887 PLUG, pipe, dry-seal, 3/8	
			1 243061 BUSHING, power shift	
2	245930	1	PLUG	
3	248085	1	PIN, dowel	
4	230322	2	PLUG	
5	233244	1	GASKET	
6	250886	1	GASKET, torque housing to transmission	
7	202532	4	PIN, dowel	
8	230322	1	PLUG	
9	248405	1	RETAINER, spring (w/Winch)	
	248491	1	PLUG	
10	917127	1	CAPSCREW, 1/2NF x 5/8	
11	233249	1	GASKET	
12	251437	1	COVER, sump	
			14 916269 CAPSCREW, 3/8NC x 7/8	
			14 912301 LOCKWASHER, ext. tooth, 3/8	
13	226012	1	GASKET, drain plug	
14	225389	1	PLUG, drain (Replaces 245856)	
15	236297	1	PLUG	
16	245164	2	PIN, dowel	

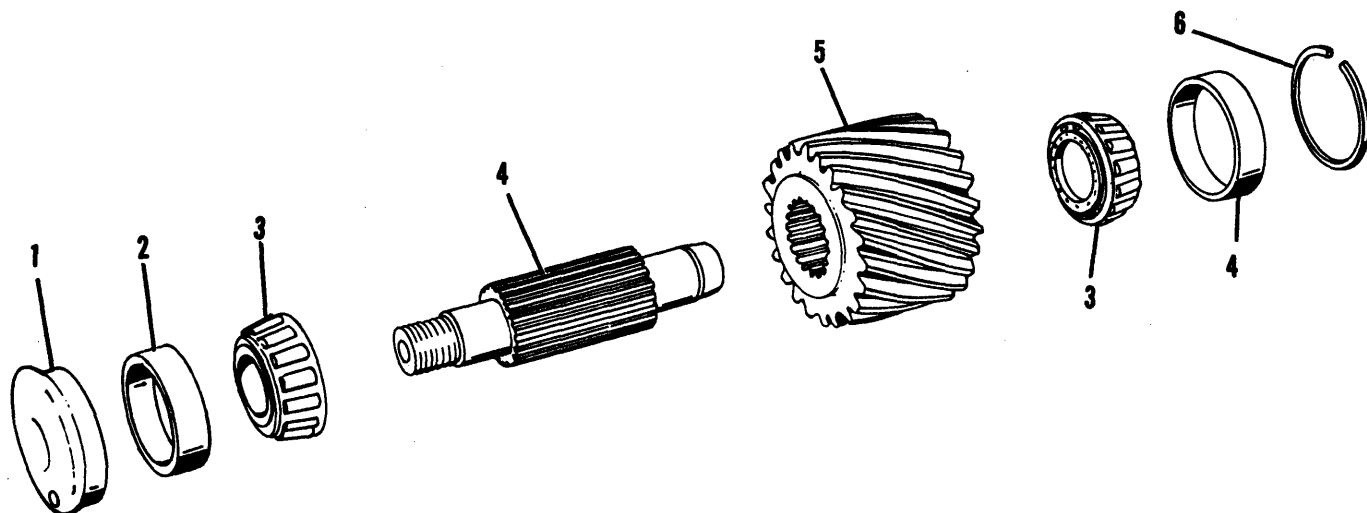
## INTERMEDIATE SHAFT &amp; GEAR

ITEM	PART NUMBER	QTY.	DESCRIPTION	ASSEMBLY OR PACKAGE NO.
1	247412	1	PLUG, intermediate shaft	
2	242875	2	CUP, bearing	
3	800449	2	CONE, bearing	
4	242874	1	SHAFT, intermediate	
5	244891	1	GEAR, intermediate shaft	
	242877	*	RING, snap, bearing adjusting, .080"	(Select Fit)
	242878	*	RING, snap, bearing adjusting, .082"	
	242879	*	RING, snap, bearing adjusting, .084"	
	242880	*	RING, snap, bearing adjusting, .086"	
	242881	*	RING, snap, bearing adjusting, .088"	
	242882	*	RING, snap, bearing adjusting, .090"	
	242883	*	RING, snap, bearing adjusting, .092"	
	242884	*	RING, snap, bearing adjusting, .094"	
6	242885	*	RING, snap, bearing adjusting, .096"	
	242886	*	RING, snap, bearing adjusting, .098"	
	242887	*	RING, snap, bearing adjusting, .100"	
	242888	*	RING, snap, bearing adjusting, .102"	
	242889	*	RING, snap, bearing adjusting, .104"	
	242890	*	RING, snap, bearing adjusting, .106"	
	242891	*	RING, snap, bearing adjusting, .108"	
	242892	*	RING, snap, bearing adjusting, .110"	

TORQUE HOUSING



INTERMEDIATE SHAFT & GEAR



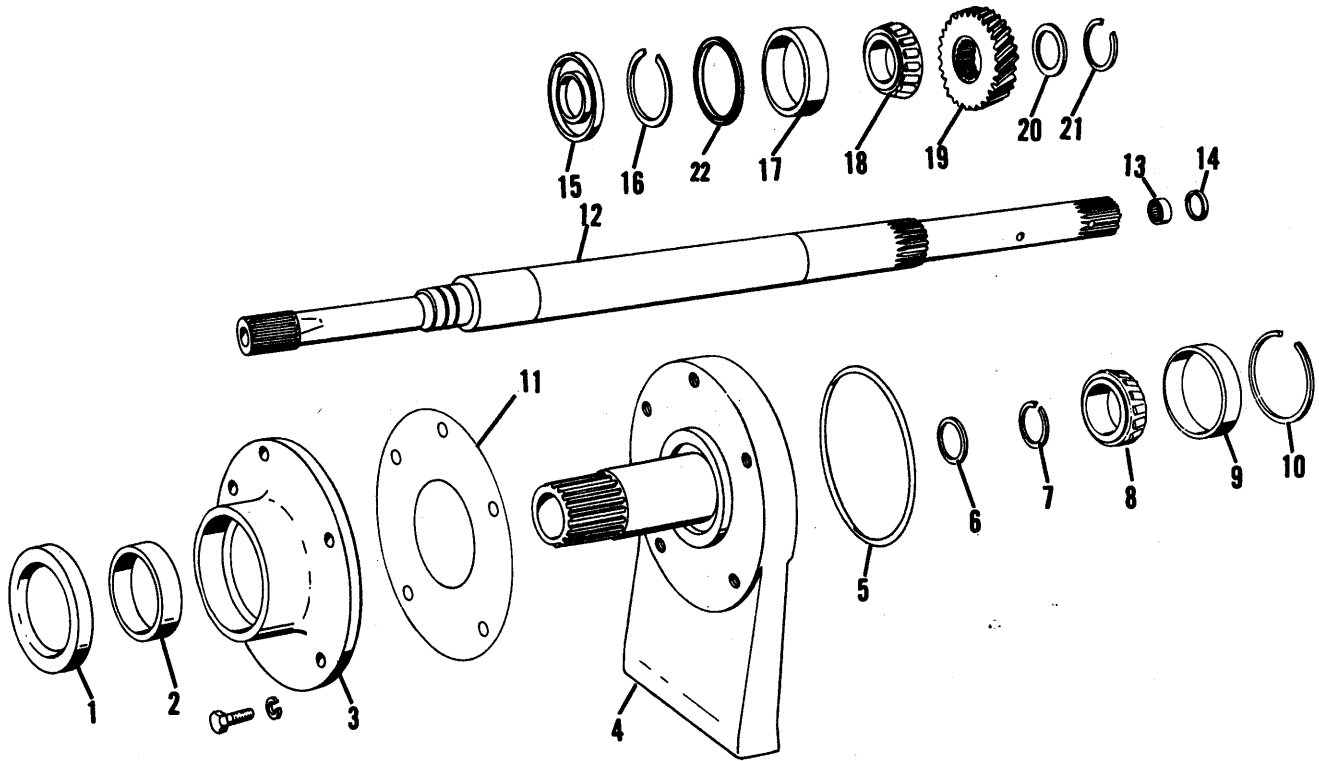
## TURBINE INPUT SHAFT

ITEM	PART NUMBER	QTY.	DESCRIPTION	ASSEMBLY OR PACKAGE NO.
1	4254152	1	SEAL, oil	
2	-----	1	BUSHING, retainer (Not serviced separately)	
3	244885	1	RETAINER ASSY., stator support (Incl. item 2)	
		4	916273 CAPSCREW, 3/8NC x 1-3/4, gr. 5	
		4	912301 LOCKWASHER, 3/8	
4	253274	1	SUPPORT, stator	
		4	916269 CAPSCREW, 3/8NC x 7/8, gr. 5	
		4	912301 LOCKWASHER, 3/8	
5	227500	1	O-RING	
6	4987617	1	RING, sealing	
7	229456	1	RING, snap	
8	211999	1	CONE, bearing	
9	209890	1	CUP, bearing	
10	225914	1	RING, snap	
11	244886	1	GASKET, retainer	
12	252436	1	SHAFT ASSY., turbine output (Incl. items 13 & 14)	
13	229278	1	BEARING, turbine shaft	
14	229279	1	SLEEVE, turbine shaft	
15	247411	1	SEAL, oil	
16	229856	1	RING, snap	
17	042887	1	CUP, bearing	
18	209899	1	CONE, bearing	
19	244889	1	GEAR, drive	
20	244890	*	WASHER, spacer	(* Select one)
	236514	*	WASHER, spacer	
	236515	*	RING, snap, drive gear, .093"	(Select Fit)
	236516	*	RING, snap, drive gear, .097"	
	236517	*	RING, snap, drive gear, .101"	
	236518	*	RING, snap, drive gear, .105"	
	236519	*	RING, snap, drive gear, .109"	
	236520	*	RING, snap, drive gear, .113"	
	236521	*	RING, snap, drive gear, .117"	
	236522	*	RING, snap, drive gear, .121"	
	236523	*	RING, snap, drive gear, .125"	
21	236524	*	RING, snap, drive gear, .129"	
	236525	*	RING, snap, drive gear, .133"	
	236526	*	RING, snap, drive gear, .137"	
	239415	*	RING, snap, drive gear, .107"	
	239416	*	RING, snap, drive gear, .111"	
	239417	*	RING, snap, drive gear, .115"	
	239418	*	RING, snap, drive gear, .119"	
	239419	*	RING, snap, drive gear, .123"	
	239420	*	RING, snap, drive gear, .127"	
	239421	*	RING, snap, drive gear, .131"	
	239422	*	RING, snap, drive gear, .135"	
22	1003620	1	SPACER	

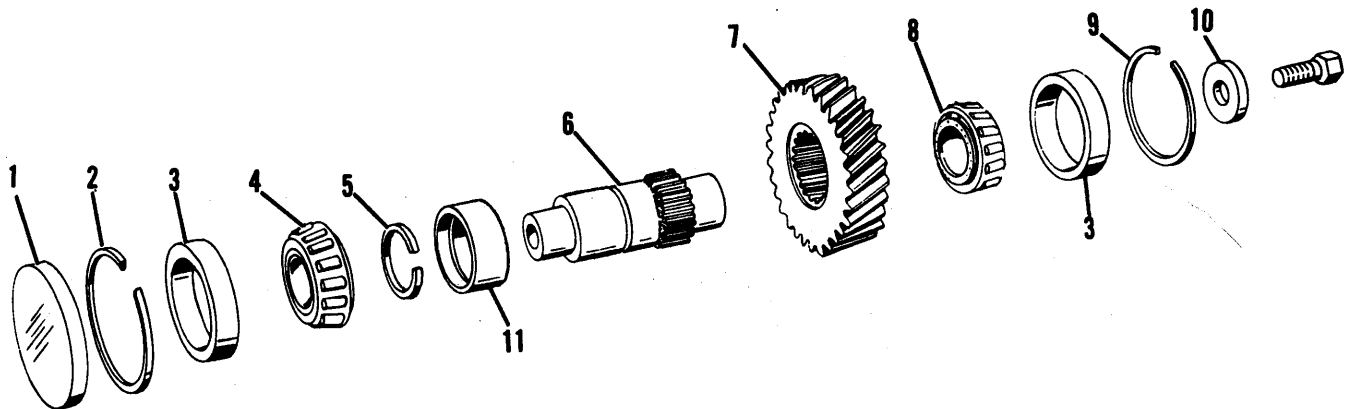
## IDLER SHAFT &amp; GEAR

ITEM	PART NUMBER	QTY.	DESCRIPTION	ASSEMBLY OR PACKAGE NO.
1	247413	1	PLUG, idler shaft	
2	244896	1	RING, snap	
3	0241380-5	2	CUP, bearing (Replaces 624427)	
4	225608	1	CONE, bearing	
5	239419	1	RING, snap	
6	251439	1	SHAFT, idler	
7	244889	1	GEAR, idler shaft	
8	323297	1	CONE, bearing	
	244894	*	RING, snap, idler shaft, .062"	(Select Fit)
	244895	*	RING, snap, idler shaft, .065"	
	244896	*	RING, snap, idler shaft, .068"	
	244897	*	RING, snap, idler shaft, .071"	
	244898	*	RING, snap, idler shaft, .074"	
	244899	*	RING, snap, idler shaft, .077"	
	244900	*	RING, snap, idler shaft, .080"	
9	244901	*	RING, snap, idler shaft, .083"	
	244902	*	RING, snap, idler shaft, .086"	
	244903	*	RING, snap, idler shaft, .089"	
	244904	*	RING, snap, idler shaft, .092"	
	244905	*	RING, snap, idler shaft, .095"	
	244906	*	RING, snap, idler shaft, .098"	
	244907	*	RING, snap, idler shaft, .101"	
	244908	*	RING, snap, idler shaft, .104"	
10	244893	1	WASHER, idler shaft	
		1	921871 CAPSCREW, 1/2NF x 1-1/4, gr. 5	
11	251438	1	SPACER	

TURBINE INPUT SHAFT



IDLER SHAFT & GEAR



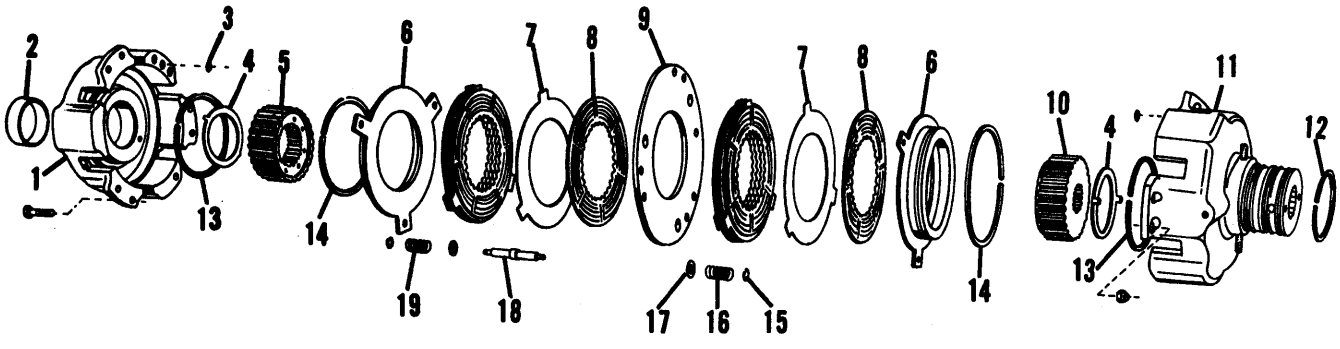
**TRANSMISSION CLUTCH**

ITEM	PART NUMBER	QTY.	DESCRIPTION	ASSEMBLY OR PACKAGE NO.
-	243213	1	CLUTCH ASSY., transmission (Incl. items 1 thru 14)	
1	243214	1	HOUSING ASSY., front (Incl. item 2 & BALL)	
	1	915905	BALL, carb., steel #3, 3/8	
	2	923535	SETSCREW, w/nylock, 5/16NC x 1	
	6	916393	CAPSCREW, 5/16NF x 1-1/2, gr. 5	
	6	919443	NUT, lock, 5/16NF	
2	243216	1	BUSHING, front housing	
3	232788	2	O-RING	
4	243224	2	WASHER, thrust	
5	235678	1	HUB, front	
6	248042	2	PISTON, clutch actuating	
7	228034	7	PLATE, driven	
8	230253	9	PLATE ASSY., driving	
9	243225	1	PLATE, center	
10	235677	1	HUB, rear	
11	243217	1	HOUSING ASSY., rear (Incl. 2 BALLS)	
	2	915905	BALL, carb. steel #3, 3/8	
12	243226	3	RING, sealing, clutch hub	
13	243219	2	RING, sealing clutch piston, inner	
14	243220	2	RING, sealing, clutch piston, outer	
15	223395	6	RING, snap	
16	248046	3	SPRING, return	
17	207152	6	WASHER, plain	
18	243228	3	PIN, connecting, pressure plate	
19	243229	3	SPRING, return	

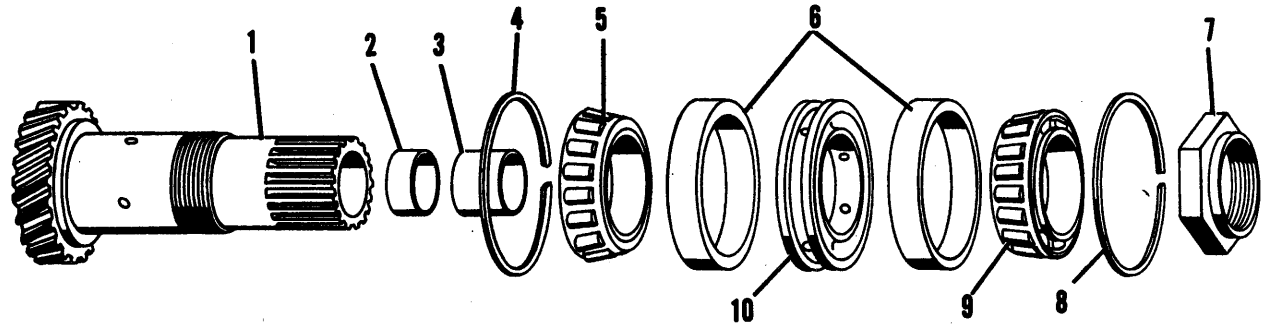
**TRANSMISSION CLUTCH SHAFT**

ITEM	PART NUMBER	QTY.	DESCRIPTION	ASSEMBLY OR PACKAGE NO.
1	252477	1	SHAFT ASSY., trans. clutch (Incl. Items 2 & 3)	
2	229424	1	BUSHING, shaft, 1/2" long	
3	248164	1	BUSHING, shaft, 1" long	
4	229425	1	RING, snap	
5	211169	1	CONE, bearing	
6	212037	2	CUP, bearing	
7	925100	1	NUT, lock, 2-1/4NF	
	229425	*	RING, snap, shaft bearing, .094"	
	229527	*	RING, snap, shaft bearing, .100"	
8	229523	*	RING, snap, shaft bearing, .103"	
	229524	*	RING, snap, shaft bearing, .106"	
	229525	*	RING, snap, shaft bearing, .109"	
	229526	*	RING, snap, shaft bearing, .097"	
9	211169	1	CONE, bearing	
10	235925	1	SPACER, bearing	

TRANSMISSION CLUTCH



TRANSMISSION CLUTCH SHAFT



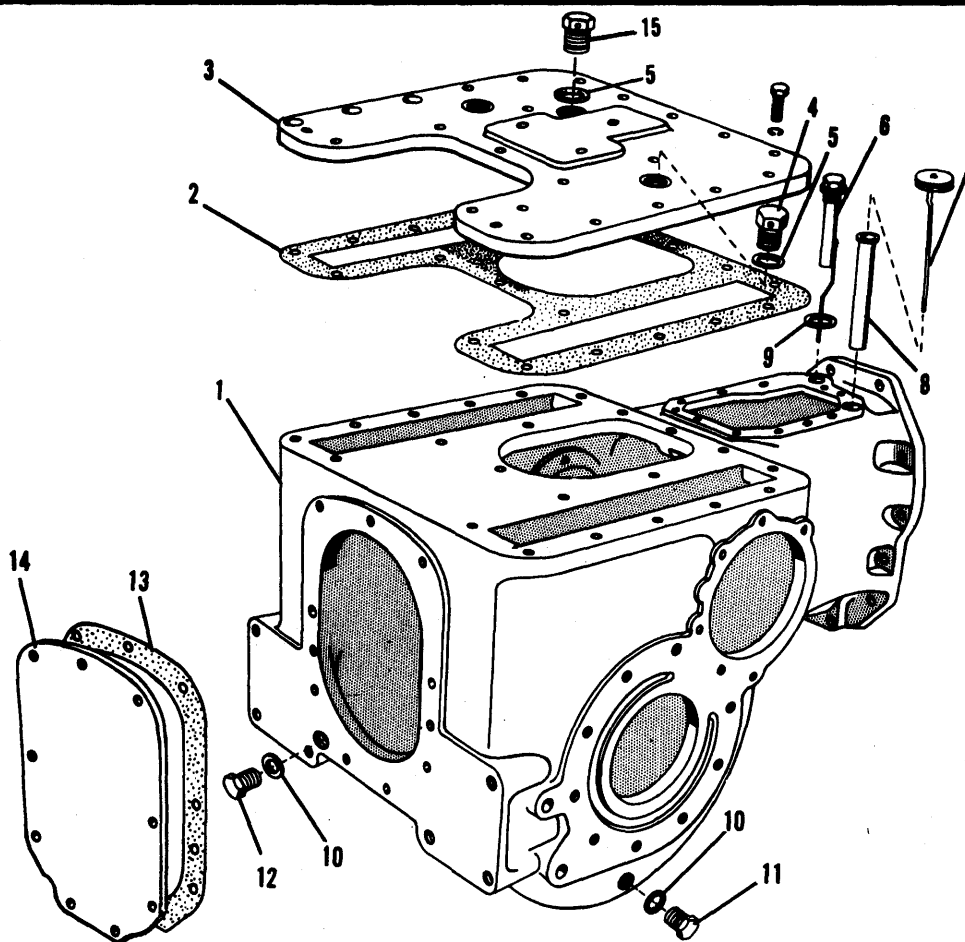
**TRANSMISSION HOUSING**

ITEM	PART NUMBER	QTY.	DESCRIPTION	ASSEMBLY OR PACKAGE NO.
1	255046	1	HOUSING ASSY., transmission (Incl. item 8)(Replaces 246516)	
			1 907072 PLUG, pipe, solid, 1-1/4	
			1 910017 PLUG, expansion (2-3/8).(Front PTO Bore)	
2	235268	1	GASKET, transmission cover	
3	249645	1	COVER, transmission top (Replaces 242720)	
			17 919089 CAPSCREW, pltd., 1/2NC x 1-3/4, gr. 5	
			1 920328 CAPSCREW, 1/2NC x 1-1/2, gr. 5, pltd.	
4	229944	2	BREATHER ASSY., transmission cover (Std.)	
5	227617	3	GASKET, breather	
6	248245	1	GAUGE ASSY., oil level (Incl. DIPSTICK)	
7	245549	1	CAP ASSY., oil filter	
8	229237	1	TUBE, oil gauge shield	
9	243009	1	RING, sealing	
10	226012	6	GASKET, drain plug	
11	225389	2	PLUG, drain, final drive gear compartment (Replaces 245856)	
12	225441	4	PLUG, drain (2 front, 2 rear)	
13	235192	1	GASKET	
14	239932	1	COVER, trans., rear	
			3 903643 CAPSCREW, 5/8NC x 1-1/4 (top)	
			6 903638 CAPSCREW, 1/2NC x 1-1/4	
			3 904209 LOCKWASHER, 5/8	
			6 904208 LOCKWASHER, 1/2	
15	254338	1	BREATHER ASSY., differential	

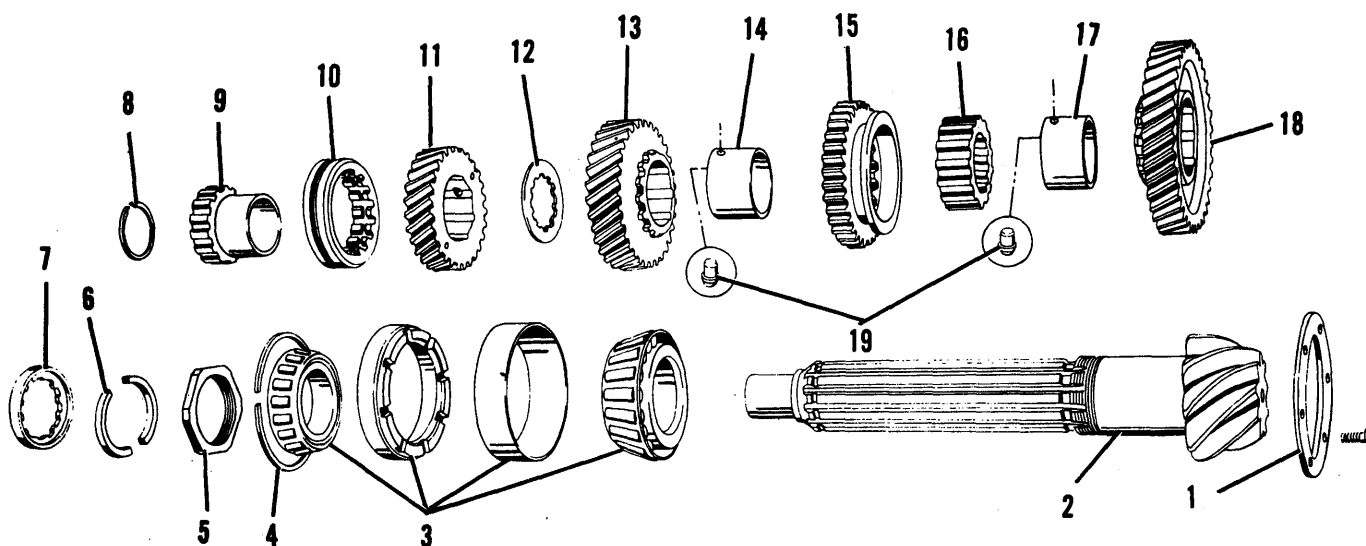
**TRANSMISSION MAIN SHAFT**

ITEM	PART NUMBER	QTY.	DESCRIPTION	ASSEMBLY OR PACKAGE NO.
1	244142	1	RETAINER, bearing	
			6 920539 CAPSCREW	
2	-----	1	SHAFT, main, splined (w/Bevel Pinion) . . . . .	.247774 ,253511
3	246526	1	BEARING ASSY.	
	244133	*	RING, snap, .177"	} Select to Fit
	244134	*	RING, snap, .179"	
	244135	*	RING, snap, .181"	
4	244136	*	RING, snap, .183"	
	244137	*	RING, snap, .185"	
	244138	*	RING, snap, .187"	
	244139	*	RING, snap, .189"	
	244140	*	RING, snap, .191"	
5	246539	1	NUT, bearing adj.	
6	246537	1	SLEEVE-SPLIT	
7	246538	1	RETAINER, sleeve	
	246521	*	RING, snap, .083"	} Select One
	246522	*	RING, snap, .089"	
8	246523	*	RING, snap, .095"	
	246524	*	RING, snap, .101"	
	246525	*	RING, snap, .107"	
9	246527	1	COLLAR, w/Bushing	
10	0256050-6	1	COUPLING (Replaces 246528)	
11	246529	1	GEAR, 3rd main shaft	
12	246530	1	WASHER, thrust	
13	246531	1	GEAR, 2nd, main shaft	
14	246533	1	BUSHING, 2nd gear	
15	246535	1	GEAR, sliding, main shaft	
16	246532	1	COLLAR	
17	246534	1	BUSHING, 1st gear	
18	0256516-6	1	GEAR, 1st main shaft (Replaces 246536)	
19	225948	4	PIN, lock	

TRANSMISSION HOUSING



TRANSMISSION MAIN SHAFT





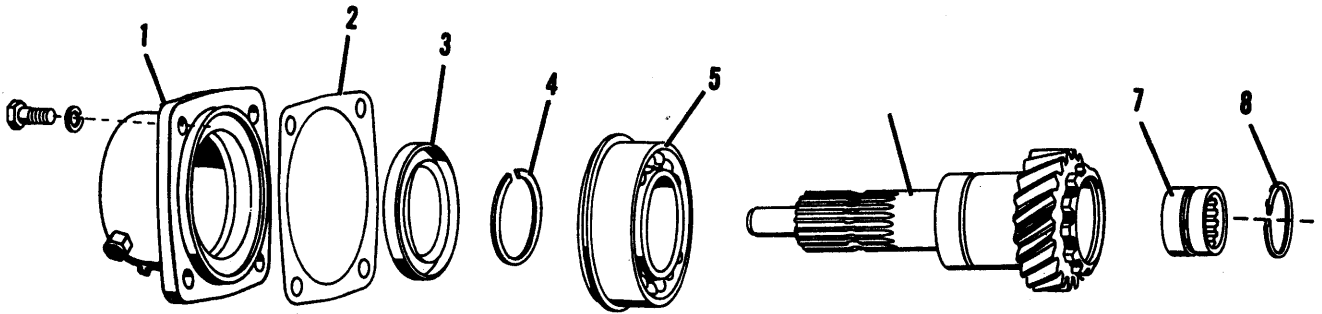
## INPUT SHAFT

ITEM	PART NUMBER	QTY.	DESCRIPTION	ASSEMBLY OR PACKAGE NO.
1	242704	1	RETAINER, bearing 4 918683 CAPSCREW, 1/2NC x 1-1/8, gr. 5 4 904208 LOCKWASHER, 1/2	
2	235254	1	GASKET, bearing retaining	
3	235253	1	SEAL, oil	
4	229542	1	RING, snap	
5	242703	1	BEARING	
6	0256571-1	1	SHAFT, w/Gear (19T Gear w/15 Coupling Teeth) (Replaces 246518)	
7	246398	1	BEARING	
8	246570	1	WASHER, thrust	

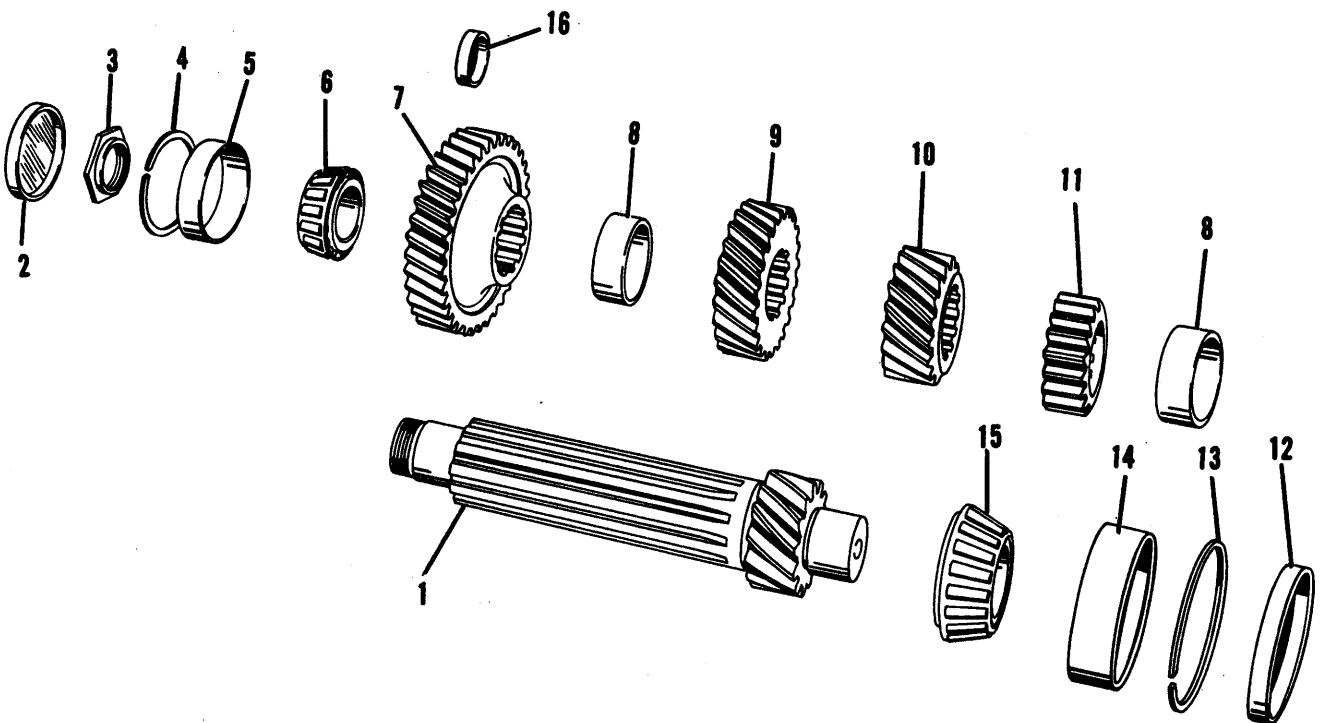
## TRANSMISSION, COUNTER SHAFT

ITEM	PART NUMBER	QTY.	DESCRIPTION	ASSEMBLY OR PACKAGE NO.
1	0256518-2	1	SHAFT, counter w/Gear (Replaces 246540)	
2	244143	1	PLUG	
3	246619	1	NUT, bearing retainer	
4	244144	*	RING, snap, countershaft front bearing, .077"	} Select to Fit
	244145	*	RING, snap, countershaft front bearing, .080"	
	244146	*	RING, snap, countershaft front bearing, .083"	
	244147	*	RING, snap, countershaft front bearing, .086"	
	244148	*	RING, snap, countershaft front bearing, .089"	
	244149	*	RING, snap, countershaft front bearing, .092"	
	244150	*	RING, snap countershaft front bearing, .095"	
	244151	*	RING, snap, countershaft front bearing, .098"	
	244152	*	RING, snap, countershaft front bearing, .101"	
	244153	*	RING, snap, countershaft front bearing, .104"	
5	244195	1	CUP, bearing	
6	244162	1	CONE, bearing	
7	056049-8	1	GEAR, driven counter (Replaces 246541)	
8	246542	2	SPACER, countershaft	
9	246543	1	GEAR, 3rd, countershaft	
10	246544	1	GEAR, 2nd, countershaft	
11	246545	1	GEAR, reverse, countershaft	
12	236297	1	PLUG	
13	236304	1	RING, snap	
14	230068	1	CUP, bearing	
15	228509	1	CONE, bearing	
16	228677	1	PLUG, reverse shaft opening	

INPUT SHAFT



TRANSMISSION, COUNTER SHAFT



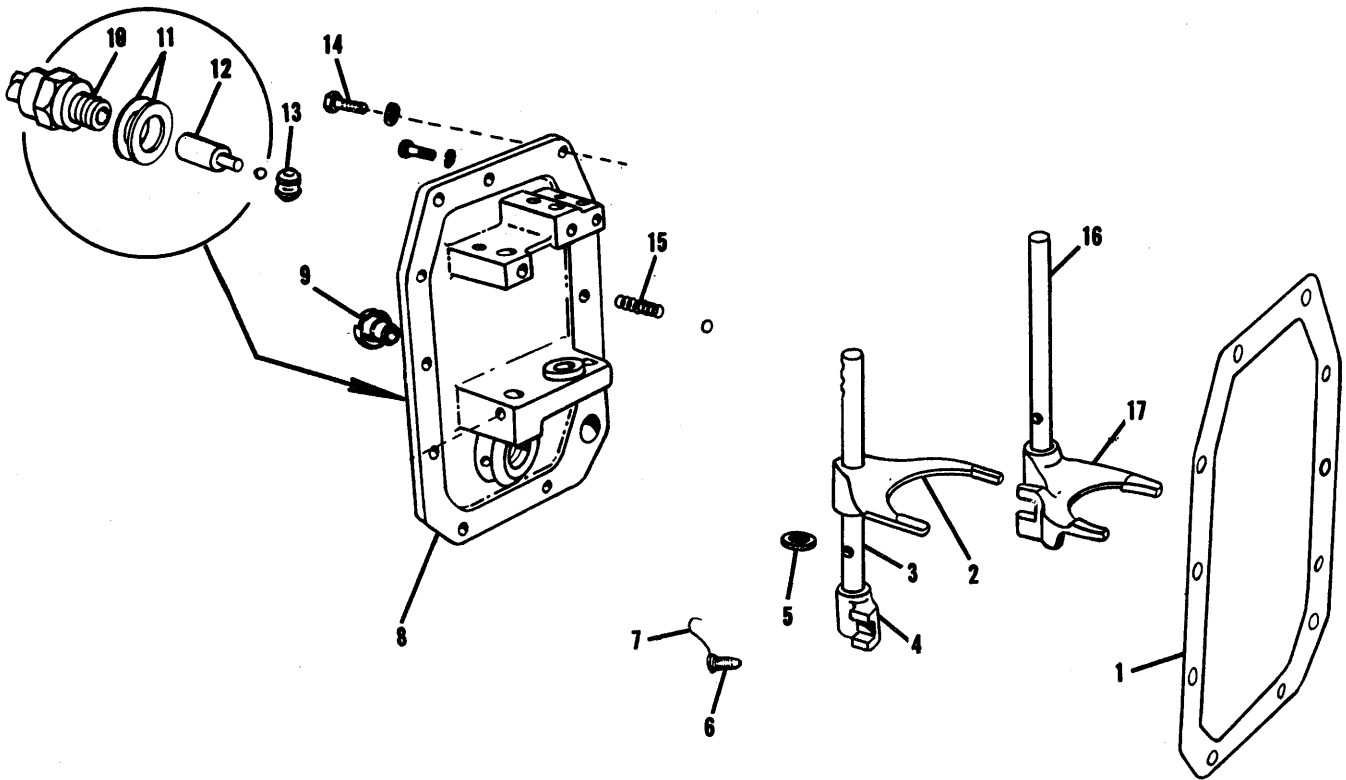
**CONTROL COVER-GEAR SHIFT**

ITEM	PART NUMBER	QTY.	DESCRIPTION	ASSEMBLY OR PACKAGE NO.
1	239367	1	GASKET, control cover	
2	246558	1	FORK, shift (1st & 2nd)	
3	246557	1	ROD, shift (1st & 2nd)	
4	229261	1	LUG, shift rod (1st & 2nd)	
5	227195	*	WASHER, shift stop (* Used as required)	
6	202864	3	SCREW, lock, shift fork	
7	-----	3	WIRE, lockscrew (Use 8" of 910815 for each)	
8	252479	1	COVER, control	
9	229328	1	TUBE ASSY., oil filler	
10	252095	1	SWITCH, neutral safety	
11	252484	*	SHIM (.005)	
	252485	*	SHIM (.010)	
	252486	*	SHIM (.020)	
12	252480	1	PLUNGER	
		1	915906 BALL, 3/16	
13	252096	1	PLUNGER, interlock (short)	
14	230636	2	CAPSCREW, cover locating	
		1	904206 LOCKWASHER, 3/8	
15	226572	4	SPRING, detent, shift rod (2 used Shuttle Clutch)	
		1	905360 BALL, chrome, steel, 3/8	
16	0256066-2	1	ROD, shift (3rd & 4th) (Replaces 246555)	
17	247000	1	FORK ASSY., shift (3rd & 4th)	

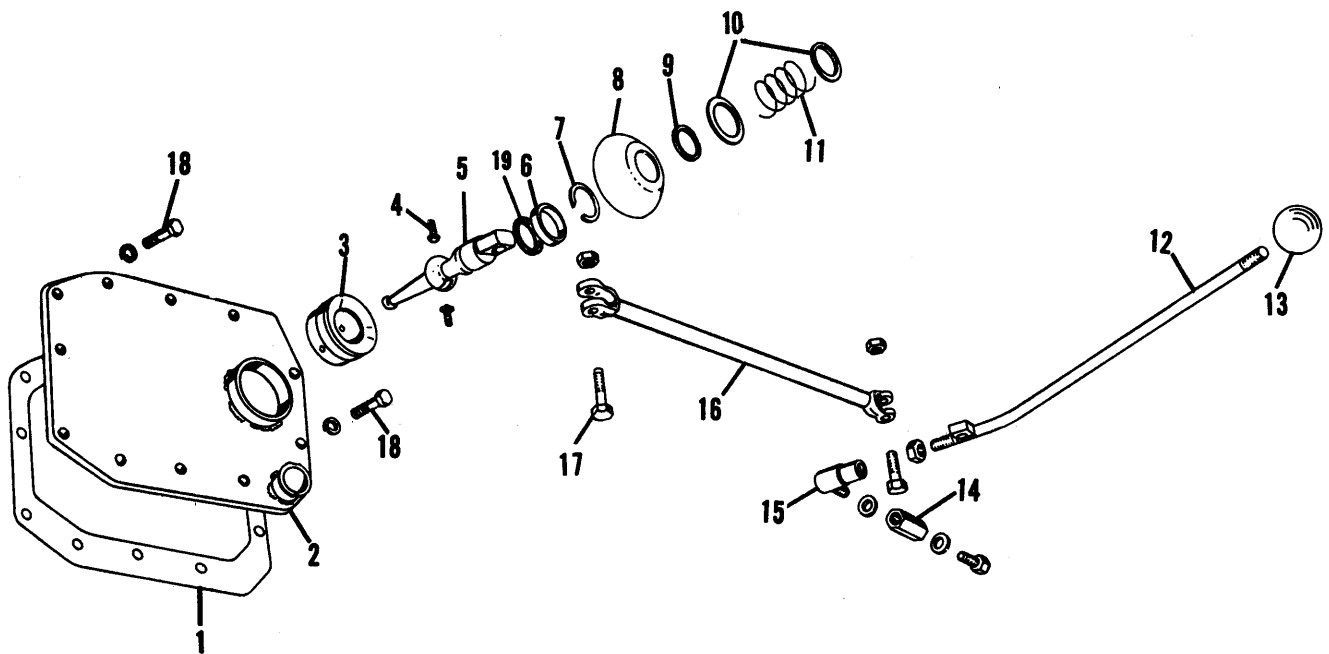
**GEAR SHIFT LINKAGE**

ITEM	PART NUMBER	QTY.	DESCRIPTION	ASSEMBLY OR PACKAGE NO.
1	239367	1	GASKET, control cover	
2	-----	1	COVER ASSY., control (See CONTROL COVER Group for Components)	
		9	920549 CAPSCREW, 3/8NC x 1-1/8 w/LW (Replaces 910211)	
3	243158	1	INSERT, control cover	
4	203465	2	PIN, pivot	
5	254822	1	LEVER, gear shift (Replaces 246552)	
6	229254	1	WASHER, lever pivot	
7	230229	1	RING, snap	
8	242721	1	COVER, dust	
9	242722	1	RING, sealing, dust cover	
10	243159	2	WASHER	
11	242723	1	SPRING	
12	242726	1	LEVER	
		1	922014 NUT, jam, pltd., 5/8NF	
13	226023	1	KNOB, gear, shift lever	
14	242728	1	BLOCK, tapping	
		1	915482 CAPSCREW, 5/8NC x 1-1/4	
		2	904209 LOCKWASHER, 5/8	
15	242727	1	JOINT, ball	
		1	922014 NUT, jam, 5/8NC	
16	247626	1	LINK ASSY.	
17	242725	2	CAPSCREW	
		1	915289 NUT, lock, 1/2NC	
18	230636	2	CAPSCREW, locating	
		2	904206 LOCKWASHER, 3/8	
19	923649	1	O-RING	

CONTROL COVER-GEAR SHIFT



GEAR SHIFT LINKAGE



## DIFFERENTIAL

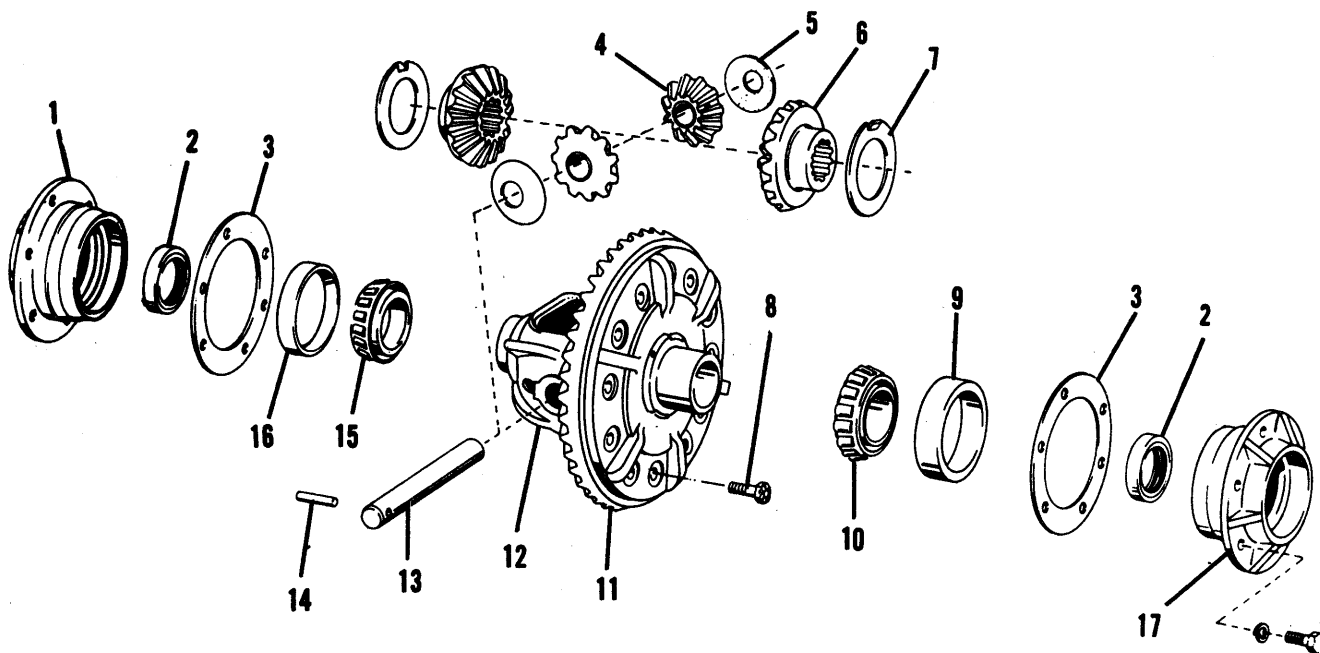
ITEM	PART NUMBER	QTY.	DESCRIPTION	ASSEMBLY OR PACKAGE NO.
1	235263	1	CARRIER, differential 6 918683 CAPSCREW, 1/2NC x 1-1/8, gr. 5 6 904208 LOCKWASHER, 1/2	
2	244169	2	SEAL, oil, bearing carrier	
3	217492	*	SHIM, bearing carrier, .005" (* Use as req'd.)	
	236645	*	SHIM, bearing carrier, .007" (*Use as req'd.)	
	217491	*	SHIM, (.010) (*Use as req'd)	
	231851	*	SHIM, (.020) (*Use as req'd)	
4	-----	2	PINION, side . . . . .	242749
5	237242	2	WASHER, thrust pinion	
6	-----	2	GEAR, side . . . . .	242749
7	249767	2	WASHER, thrust, side gear	
8	253021	1	KIT, capscrew service	
9	073111	1	CUP, bearing, carrier (Replaces 4254320)	
10	244167	1	CONE, bearing, carrier	
11	-----	1	GEAR, ring . . . . .	247774
12	248481	1	HOUSING, differential	
13	236852	1	SHAFT, pinion	
14	924066	1	PIN, lock pinion shaft	
15	211169	1	CONE, bearing carrier	
16	212037	1	CUP, bearing carrier	
17	244168	1	CARRIER, differential	

NOTE: 254008 1 KIT, four pinion conversion differential to be used to convert from two pinion to four pinion differential.

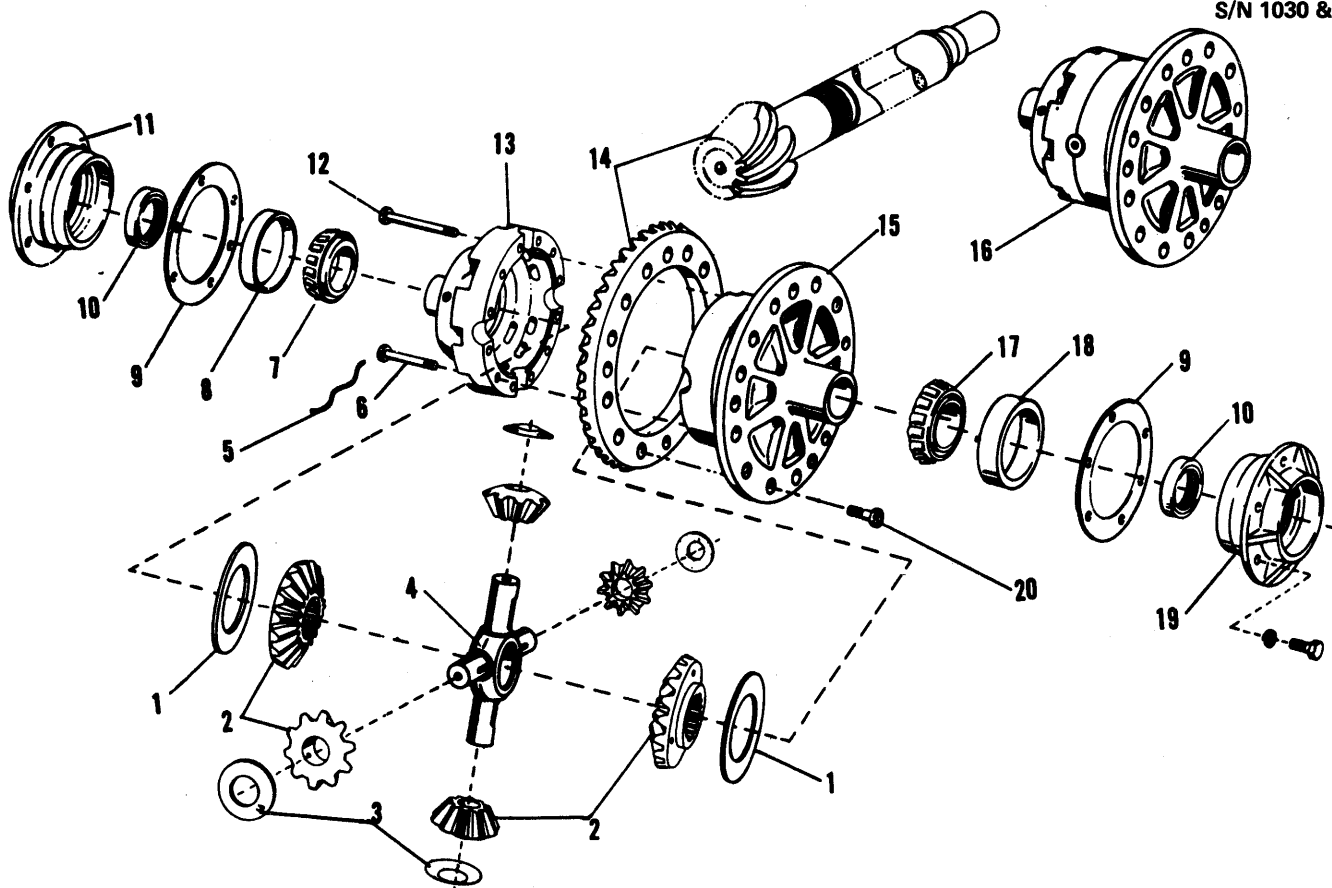
DIFFERENTIAL  
S/N 1030 & Up

ITEM	PART NUMBER	QTY	DESCRIPTION	ASSEMBLY OR PACKAGE NO.
1	253513	2	WASHER, thrust, side gear	
2	253521	1	KIT, gear (Incl. SIDE GEARS & PINION)	
3	253517	4	WASHER, thrust, differential pinion	
4	253515	1	SPIDER, differential	
5	253520	1	LOCKWIRE	
6	253519	4	CAPSCREW, short	
7	253499	1	CONE, bearing	
8	066129	1	CUP, bearing	
9	217492	*	SHIM, (.005) (*Use as req'd)	
	236645	*	SHIM, (.007) (*Use as req'd)	
	217491	*	SHIM, (.010) (*Use as req'd)	
	231851	*	SHIM, (.020) (*Use as req'd)	
10	244169	2	SEAL, oil	
11	253502	1	CARRIER, differential, L.H. 6 918683 CAPSCREW, gr. 5, 1/2 NC x 1-1/8 6 916966 LOCKWASHER, 1/2	
12	253518	8	CAPSCREW, long	
13	-----	1	HOUSING, half differential (Not serviced separately; Order item 16)	
14	253511	1	KIT, mainshaft and ring gear	
15	-----	1	HOUSING, half differential ring gear (Not serviced separately; Order item 16)	
16	253512	1	DIFFERENTIAL ASSY., (Incl. items 1 thru 6, 12, 13 and 15)	
17	244167	1	CONE, bearing	
18	073111	1	CUP, bearing (Replaces 4254320)	
19	244168	1	CARRIER, differential, R.H. 6 918683 CAPSCREW, gr. 5, 1/2 NC x 1-1/8 6 916966 LOCKWASHER, 1/2	
20	253500	16	BOLT, place	

DIFFERENTIAL



DIFFERENTIAL  
S/N 1030 & Up

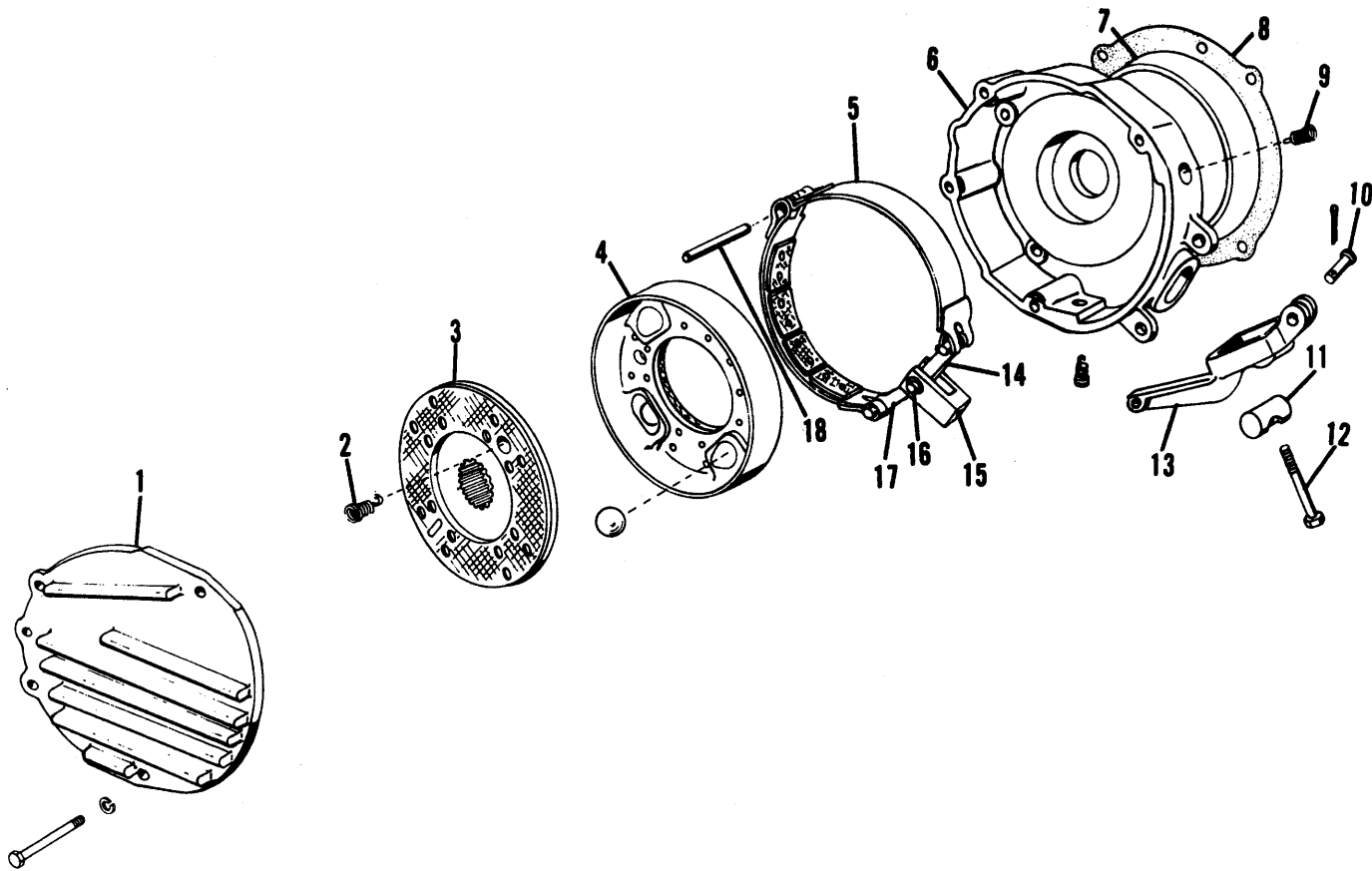


**BRAKE**

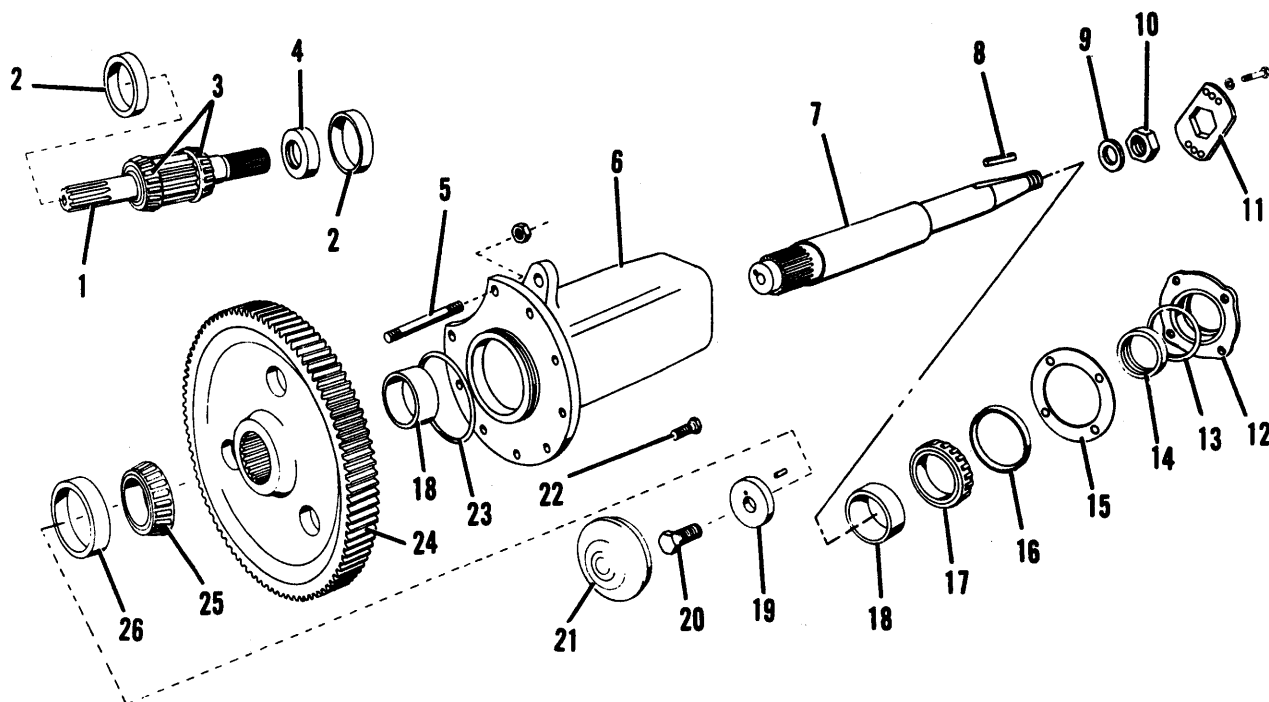
ITEM	PART NUMBER	QTY.	DESCRIPTION	ASSEMBLY OF PACKAGE NO.
-	252557	2	BRAKE ASSY., (Incl. items 2 thru 5, 14, 16 & 17)	
1	250393	2	COVER, brake	
		4	919232 CAPSCREW, 1/2NC x 4-3/4, gr. 5	
		4	904208 LOCKWASHER, 1/2	
2	250435	4	SPRING, return	
3	252563	2	PLATE ASSY., disc (Incl. LINING) . . . . .	252562
4	252559	2	DRUM ASSY., actuating (Incl. LINING & RIVET) . . . . .	252562
		4	905371 BALL, crome, steel, 1"	
5	250640	4	BAND ASSY., (Incl. LINER)	
6	250003	2	HOUSING, brake	
		2	923780 SCREW, 1/2NC x 1-1/4, gr. 8	
7	235314	2	O-RING, brake housing	
8	235315	*	SHIM, brake housing, .003"	(* Use as required)
	235316	*	SHIM, brake housing, .010"	
	235317	*	SHIM, brake housing, .020"	
9	250446	4	SPRING, band return	
10	235210	2	PIN, yoke	
		1	900805 PIN, cotter, 1/8 x 3/4	
11	235211	2	BAR, ball seat	
12	235556	2	SCREW, bar retainer	
13	235209	2	LEVER, brake actuating	
14	235615	4	LINK, band, outer	
15	235208	2	YOKE	
16	235616	6	PIN, clevis	
		1	900801 PIN, cotter, 3/32 x 3/4	
17	235614	4	LINK, inner	
18	249980	2	PIN, pivot	

**FINAL DRIVE & REAR AXLE**

ITEM	PART NUMBER	QTY.	DESCRIPTION	ASSEMBLY OR PACKAGE NO.
1	250390	2	SHAFT, w/Pinion	
2	061088	4	CUP, bearing	
3	061087	4	CONE, bearing	
4	247548	2	SEAL, oil	
5	229697	4	STUD, sleeve	
		1	915270 NUT, thick, 5/8NC	
6	246561	2	SLEEVE, final drive	
7	250893	2	AXLE, rear	
8	912609	2	KEY, rear axle , 3/4 x 3/4 x 4	
9	925426	2	WASHER	
10	250852	2	NUT	
11	250853	2	LOCK, nut	
		1	926126 CAPSCREW, 3/4NC x 1-1/4, pltd.	
		1	919332 LOCKWASHER, 3/4	
12	246563	2	RETAINER, axle bearing	
		4	921176 CAPSCREW, 1/2NC x 1-1/4, gr. 5 (Replaces 916311)	
13	238919	2	O-RING, bearing retainer	
14	246564	2	SEAL, oil	
15	238938	*	SHIM, .003"	(*As req'd.)
	238939	*	SHIM, .010"	
16	238935	2	CUP, bearing	
17	238936	2	CONE, bearing	
18	248433	4	SPACER, bearing	
19	235301	2	WASHER, rear axle	
		1	916227 PIN, roll, 1/4 x 1	
20	916330	2	CAPSCREW	
21	235300	2	CAP, bearing, rear axle	
22	246562	14	CAPSCREW	
23	235306	2	O-RING, sleeve	
24	246559	2	GEAR, final drive	
25	4253787	2	CONE, bearing final drive gear	
26	2007120	2	CUP, bearing final drive gear	



FINAL DRIVE & REAR AXLE





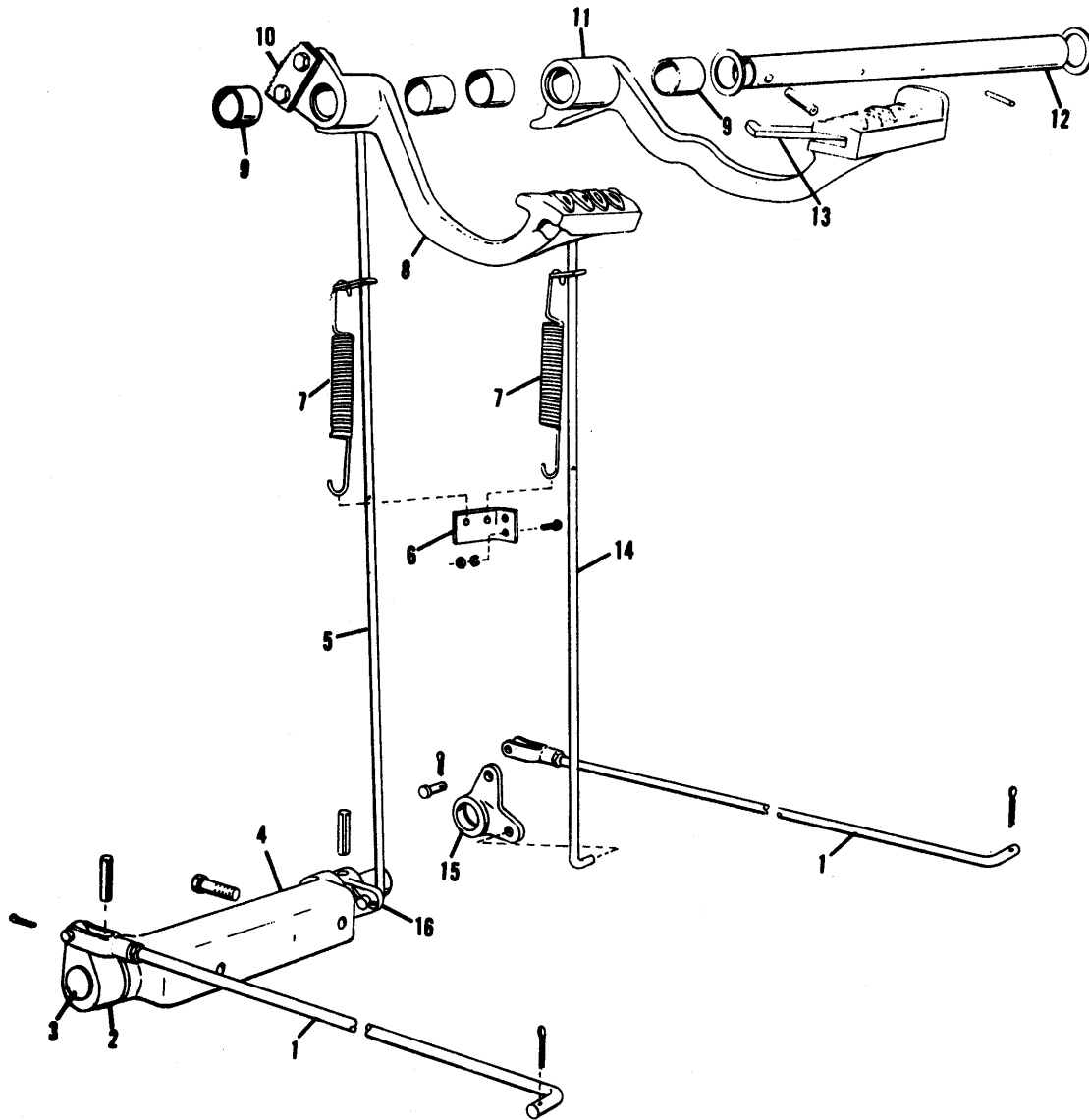
**BRAKE PEDALS**

ITEM	PART NUMBER	QTY.	DESCRIPTION	ASSEMBLY OR PACKAGE NO.
1	243152	2	ROD, lower	
			1 917664 YOKE, adjusting, 3/8-24	
			1 917646 PIN, yoke, 3/8	
			1 900801 PIN, cotter, 3/32 x 3/4 (Yoke end)	
			1 900805 PIN, cotter, 1/8 x 3/4 (Brake end)	
			1 910329 NUT, 5/16NF	
2	243151	1	LEVER, L. H.	
			1 915500 PIN, roll, 3/8 x 1-3/4	
3	243147	1	SHAFT, brake, lower	
4	243153	1	SUPPORT ASSY., lower brake pedal (Incl. 2 of item 9)	
			2 921176 CAPSCREW, 1/2NC x 1-1/4, pltd., gr. 5	
			2 916966 LOCKWASHER, 1/2, pltd.	
5	243142	1	ROD ASSY., upper L. H.	
			2 900805 PIN, cotter, 1/8 x 3/4	
6	243092	1	BRACKET, spring anchor	
			2 921210 CAPSCREW, 3/8NC x 1, pltd., gr. 5	
			2 916965 LOCKWASHER, 3/8, pltd.	
			2 916950 NUT, hex., pltd., 3/8NC	
7	239305	2	SPRING, return	
8	243133	1	PEDAL ASSY., brake, L. H. (Incl. 2 BUSHINGS, Item 9)	
9	237329	7	BUSHING, pedal	
10	235328	3	RATCHET, brake latch	
			2 914847 CAPSCREW, 3/8NC x 1-1/2, gr. 5	
			2 904206 LOCKWASHER, 3/8	
			2 910324 NUT, 3/8NC	
11	243136	1	PEDAL ASSY., brake, R. H. (Incl. 2 of items 9 & item 13)	
12	243137	1	SHAFT, brake pedal, upper	
			1 918416 PIN, roll, 3/8 x 2-1/2	
			1 910890 WASHER, plain, 1-5/32 x 1-3/4 x #16	
			1 900812 PIN, cotter, 3/16 x 1-3/4	
13	235320	1	PLATE, brake lock	
	245665	1	SPRING, brake lock	
			1 912318 PIN, groove, pltd., 5/16 x 1	
14	243145	1	ROD ASSY., upper R. H.	
			2 900805 PIN, cotter, 1/8 x 3/4	
15	243148	1	LEVER ASSY., brake, R. H. (Incl. 1 of item 9)	
16	243150	1	LEVER, brake control	
			1 915500 PIN, roll, 3/8 x 1-3/4	
			1 900812 PIN, cotter, 3/16 x 1-3/4	
			1 910890 WASHER, plain, 1-5/32 x 1-3/4 x #16	

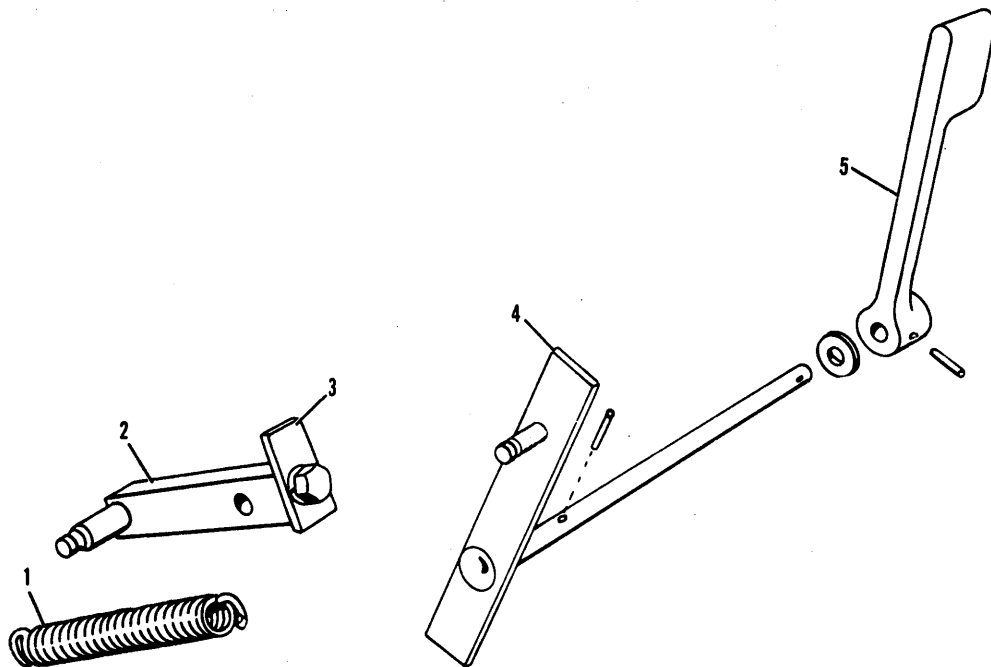
**PARKING BRAKE LOCK**

ITEM	PART NUMBER	QTY.	DESCRIPTION	ASSEMBLY OR PACKAGE NO.
1	235338	1	SPRING, brake latch	
2	235330	1	LEVER ASSY., reciprocating	
3	235329	1	PAWL, brake latch	
			1 903629 CAPSCREW, 3/8NC x 3/4	
			1 904206 LOCKWASHER, 3/8	
4	249715	1	LEVER ASSY., spring	
			1 922465 WASHER, plain, 13/32	
			1 916202 PIN, roll, 1/8 x 7/8	
5	243141	1	LEVER, brake latch	
			1 916202 PIN, roll, 1/8 x 7/8	

**BRAKE PEDALS**



**PARKING BRAKE LOCK**



---

**PLATFORM**

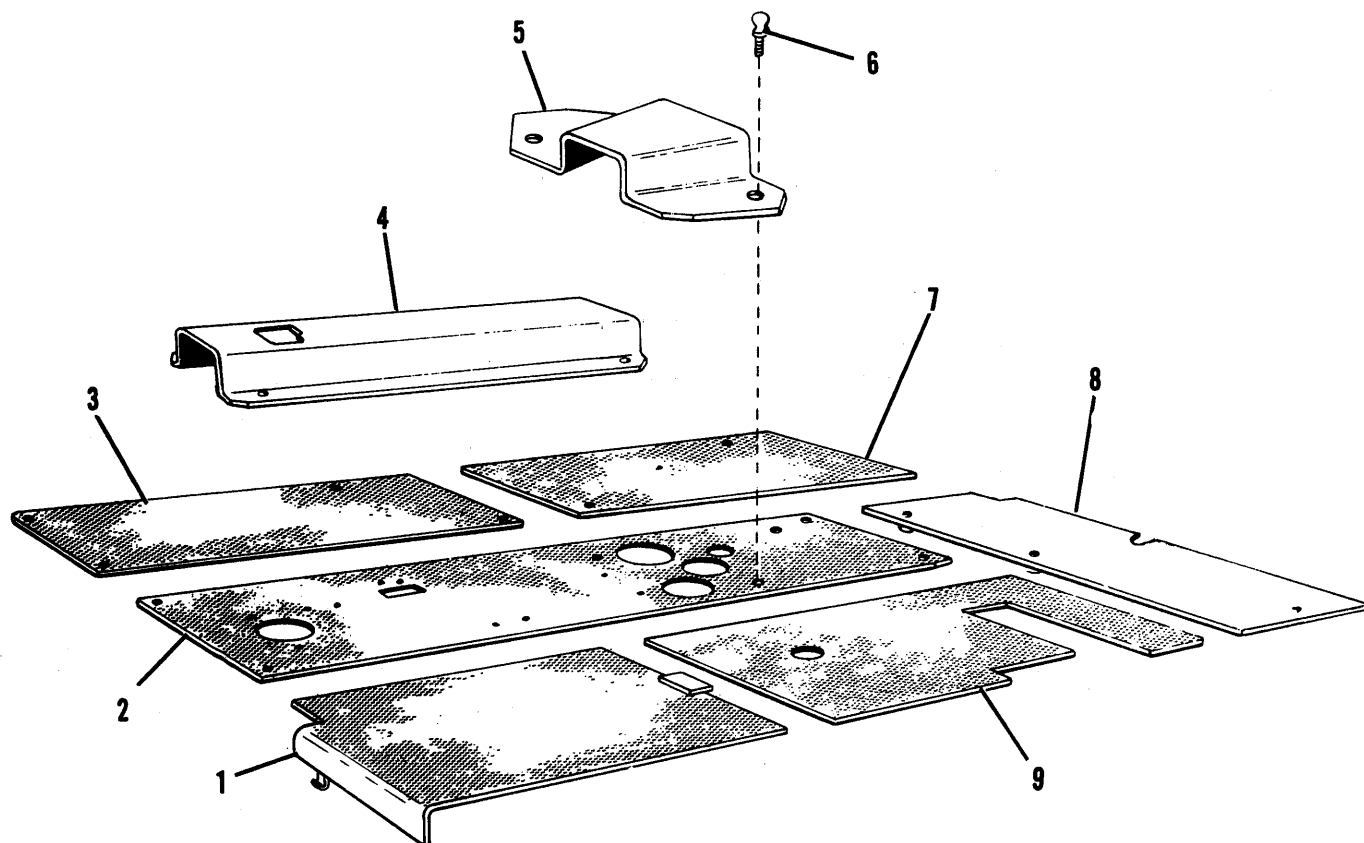
ITEM	PART NUMBER	QTY.	DESCRIPTION	ASSEMBLY OR PACKAGE NO.
1	246848	1	PLATFORM ASSY., L.H. front	
2	250723	1	PLATFORM, center	
		2	921210 CAPSCREW, pltd., 3/8NC x 1, gr. 5	
		2	916965 LOCKWASHER, pltd., 3/8	
		2	916950 NUT, hex. pltd., 3/8NC	
3	243190	1	PLATFORM, R.H. front	
		2	921210 CAPSCREW, pltd., 3/8NC x 1, gr. 5	
		2	916965 LOCKWASHER, pltd., 3/8	
4	243199	1	COVER	
		2	917390 CAPSCREW, pltd., 1/4NC x 3/8	
		4	916964 LOCKWASHER, pltd., 1/4	
5	252483	1	COVER ASSY.	
6	247065	2	SCREW, wing	
7	246846	1	PLATFORM	
		2	921210 CAPSCREW, pltd., 3/8NC x 1, gr. 5	
		2	916965 LOCKWASHER, pltd., 3/8	
		2	916950 NUT, hex., pltd., 3/8NC	
8	248465	1	PLATFORM ASSY.	
		2	923191 CAPSCREW, pltd., 1/2NC x 3-1/2, gr. 5	
		2	916966 LOCKWASHER, 1/2, pltd.	
9	246847	1	PLATFORM ASSY., L.H. rear	

---

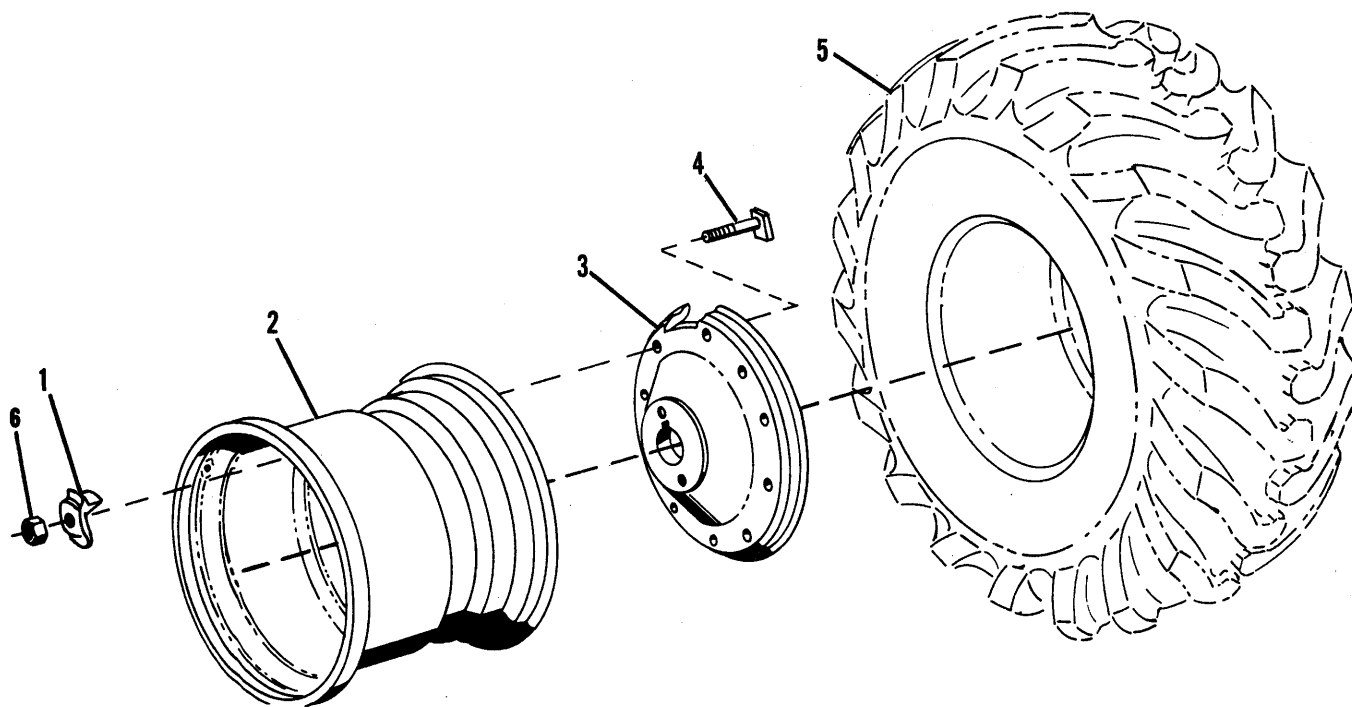
**REAR WHEEL**

ITEM	PART NUMBER	QTY.	DESCRIPTION	ASSEMBLY OR PACKAGE NO.
1	235951	24	CLAMPS	
2	235949	2	RIM, rear wheel (f/23.1 x 26)	
	246681	2	RIM, rear wheel (f/18.4 x 26)	
3	250855	2	DISC, rear wheel	
4	235952	24	BOLT, rim clamp	
5	-----	2	TIRE & TUBE (23.1 x 26 R3)	(Obtain Locally)
	-----	2	TIRE & TUBE (23.1 x 26 R4)	
	-----	2	TIRE & TUBE (18.4 x 26 R4)	
6	254679	24	NUT, heavy	

PLATFORM



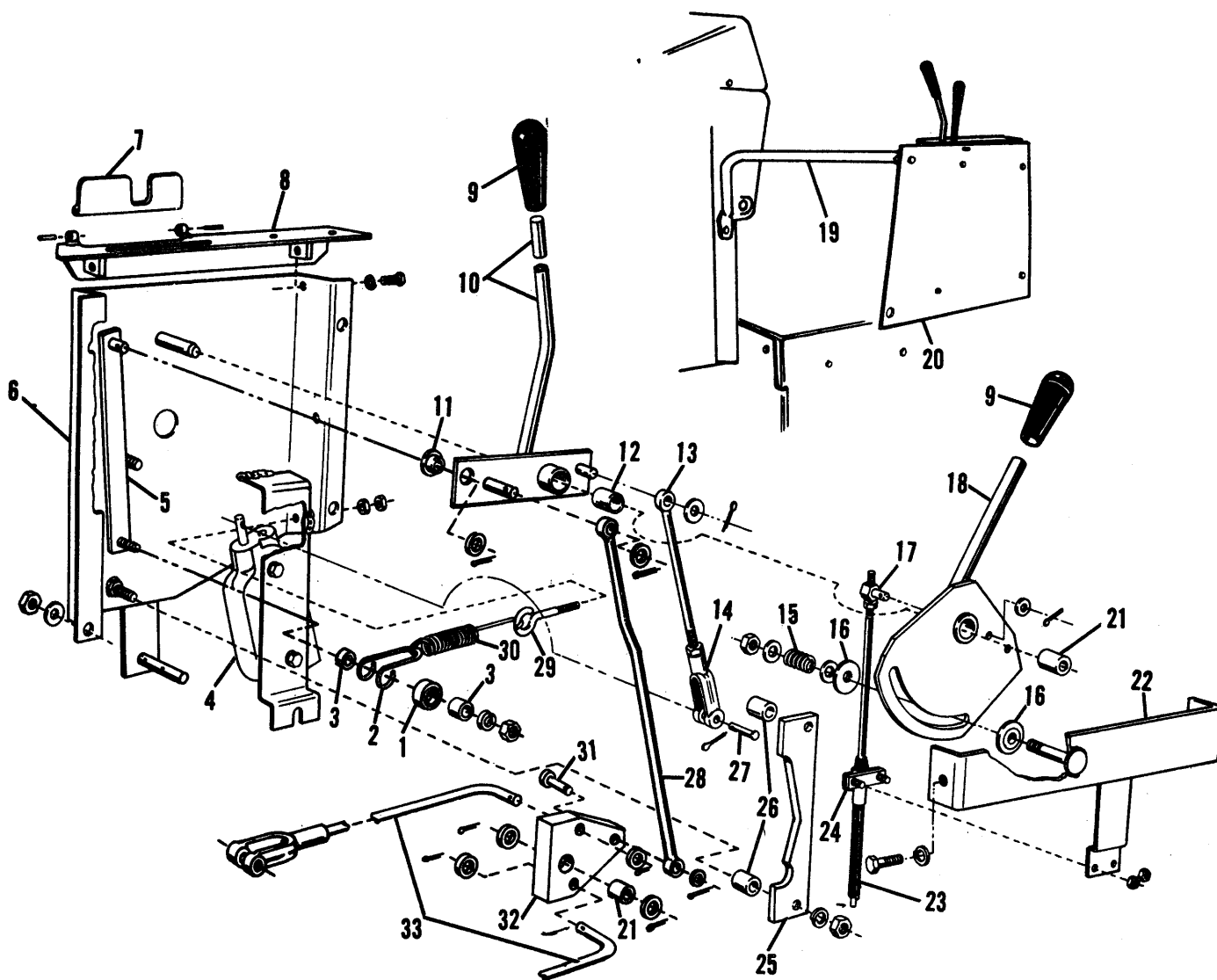
REAR WHEEL



## CONSOLE SHELL &amp; SHUTTLE CLUTCH CONTROL

ITEM	PART NUMBER	QTY.	DESCRIPTION	ASSEMBLY OR PACKAGE NO.
1	247319	1	BEARING, ball	
2	248475	1	CLEVIS	
3	245518	2	SPACER	
4	-----	1	VALVE ASSY., (See SHUTTLE CLUTCH VALVE Group for Components)	
		2	903630 CAPSCREW, 3/8NC x 1	
		2	904206 LOCKWASHER, 3/8	
5	247318	1	LEVER ASSY., shuttle clutch, detent	
		1	904205 LOCKWASHER, 5/16	
		1	910323 NUT, 5/16NC	
		1	911115 WASHER, plain, 13/32 x 13/16 x 1/16	
		1	900806 PIN, cotter, 1/8 x 1	
6	251490	1	SHELL ASSY., console	
		4	911115 WASHER (Replaces 235973)	
		4	915921 LOCKNUT, 3/8NC	
7	245517	1	LOCK, neutral, S. C.	
		2	916872 PIN, roll, 5/32 x 3/4	
8	245498	1	COVER ASSY., console	
		2	905660 CAPSCREW, 5/16NC x 1/2	
		2	904205 LOCKWASHER, 5/16	
9	233770	2	KNOB, hand	
10	247320	1	LEVER ASSY., shuttle clutch (Incl. items 10 & 11)	
		1	911115 WASHER, 3/8	
		1	900806 PIN, cotter, 1/8 x 1	
11	245479	1	BUSHING, flange	
12	245480	1	BUSHING, lever	
13	245466	1	ROD ASSY., valve control	
		1	911115 WASHER, plain, 13/32 x 13/16 x 1/16	
		1	900806 PIN, cotter, 1/8 x 1	
14	245513	1	YOKE, control rod	
		1	910329 NUT, jam, 5/16NF	
15	227731	1	SPRING, friction block	
16	225265	2	WASHER, friction	
		2	918265 WASHER, plain, pltd., 11/32 x 11/16 x 1/16	
		1	919438 NUT, lock, pltd., 5/16NC	
17	242038	2	PIN, swivel, control cable	
		1	911114 WASHER, plain, 9/32 x 5/8 x 1/16	
		1	900970 PIN, cotter, 1/16 x 1/2	
18	245458	1	LEVER ASSY., throttle (Incl. item 23)	
19	247324	1	BRACE	
		1	903629 CAPSCREW, 3/8NC x 3/4	
		1	911115 WASHER (Replaces 235793)	
		1	915921 NUT, stover, 3/8NC	
20	251494	1	SUPPORT ASSY.	
21	245461	2	BUSHING, throttle lever	
22	245502	1	BRACKET ASSY., friction block	
		2	903629 CAPSCREW, 3/8NC x 3/4	
		2	904206 LOCKWASHER, 3/8	
23	253059	1	CABLE ASSY., throttle control	
24	243210	2	CLAMP, cable (Two-piece)	
		2	917452 SCREW, pltd., #10NF x 1/2	
		2	922714 NUT, lock, #10NF	
25	251860	1	QUADRANT, detent lever	
		2	904206 LOCKWASHER, 3/8	
		2	910324 NUT, 3/8NC	
		2	911115 WASHER, plain, 13/32 x 13/16 x 1/16	
26	248474	2	SPACER, quadrant	
27	228218	1	PIN, yoke pivot	
		1	900970 PIN, cotter, 1/16 x 1/2	
28	247576	1	LINK ASSY.	
29	245512	1	BOLT, eye, spring	
		2	910880 NUT, 1/4NC	
30	248478	1	SPRING, detent lever	
31	247621	1	PIN, link	
		1	911115 WASHER, 3/8	
		1	900802 PIN, cotter, 3/32 x 1	
32	247579	1	BELLCRANK ASSY., (Incl. BUSHING)	
33	251493	2	ROD, shuttle clutch control	
		2	911115 WASHER, 3/8	
		4	900802 PIN, cotter, 3/32 x 1	
		2	917664 YOKE, rod end, 3/8NC	
		2	917646 PIN, yoke, 3/8	
		2	910329 NUT, jam, 3/8NC	

CONSOLE SHELL & SHUTTLE CLUTCH CONTROL



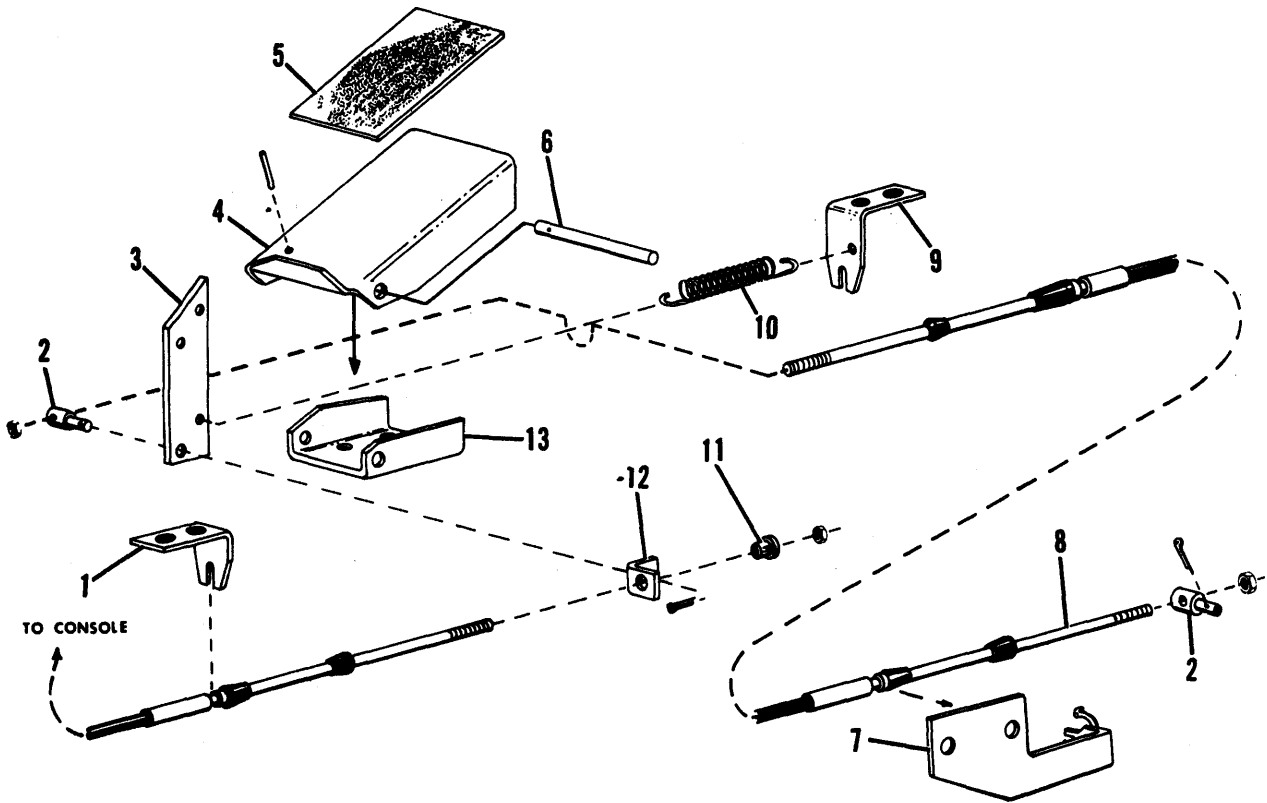
## FOOT ACCELERATOR

ITEM	PART NUMBER	QTY.	DESCRIPTION	ASSEMBLY OR PACKAGE NO.
1	251422	1	BRACKET, cable support, rear	
		2	918228 CAPSCREW, pltd., 3/8NC x 5/8	
		2	912301 LOCKWASHER, 3/8	
2	242038	2	PIN, cable end swivel	
		1	900970 PIN, cotter, 1/16 x 1/2	
3	251421	1	ARM, pedal	
		2	907727 CAPSCREW, 1/4NC x 5/8	
		2	916964 LOCKWASHER, pltd., 1/4	
		2	916622 NUT, hex. pltd., 1/4NC	
4	251423	1	PEDAL, foot	
5	243287	1	TREAD, foot pedal	
6	243798	1	PIN, pedal	
		1	923302 PIN, roll, 1/8 x 1	
7	4021427	1	BRACKET, throttle	
8	253059	1	CABLE, accelerator (Front)	
9	251426	1	BRACKET, cable support, front	
		4	922920 CAPSCREW, pltd., 3/8NC x 5/8 (Replaces 918228)	
10	246854	1	SPRING, governor return	
11	247742	1	BUSHING, snap	
12	246855	1	ANGLE	
		1	922714 NUT, #10-32	
13	251424	1	SUPPORT, pedal	
		2	919357 CAPSCREW, 3/8NC x 7/8	
		2	916965 LOCKWASHER, pltd., 3/8	
		2	916950 NUT, 3/8NC, hex. pltd.	

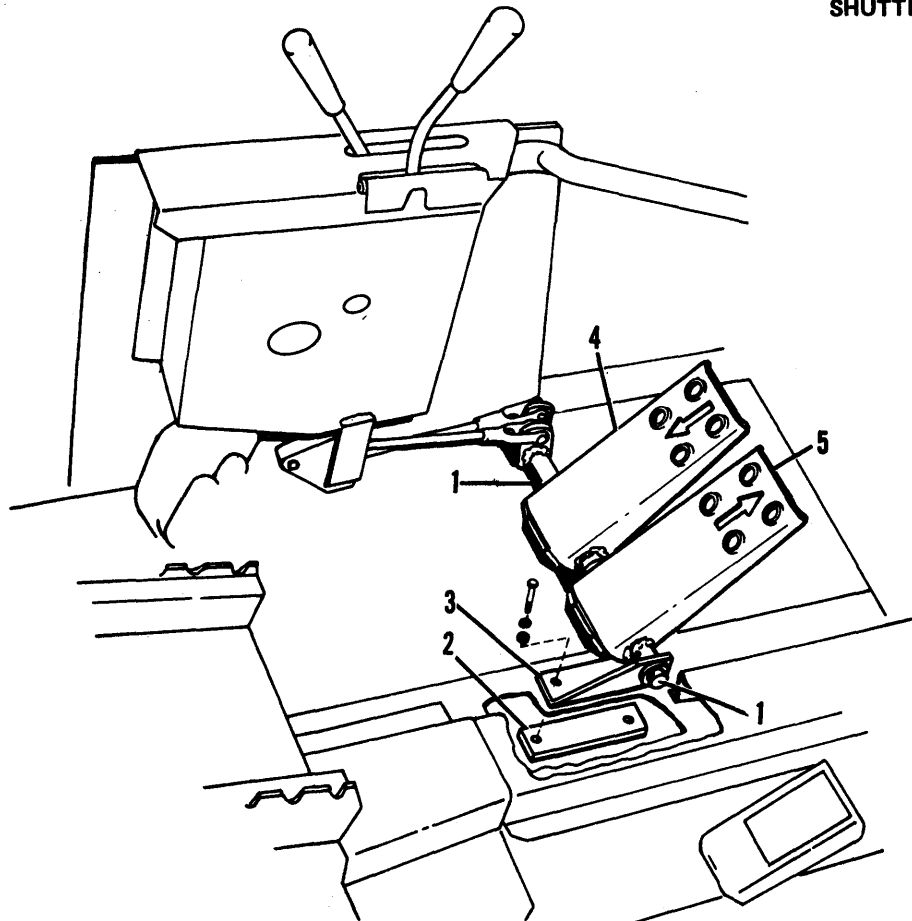
## SHUTTLE CLUTCH FOOT PEDALS

ITEM	PART NUMBER	QTY.	DESCRIPTION	ASSEMBLY OR PACKAGE NO.
1	250755	1	SHAFT ASSY., pedal pivot	
		*	920754 WASHER, plain, 25/32 x 1-3/4 x #7 (* Use as req'd.)	
		3	915935 PIN, roll, 5/16 x 1-1/4	
2	247572	1	RECTANGLE	
		2	903632 CAPSCREW, 3/8NC x 1-1/2, pltd., gr. 5	
		2	916965 LOCKWASHER, 3/8, pltd.	
3	247571	1	BRACKET, pedal pivot	
4	250751	1	PEDAL ASSY., forward	
5	250757	1	PEDAL ASSY., reverse	

FOOT ACCELERATOR



SHUTTLE CLUTCH FOOT PEDALS



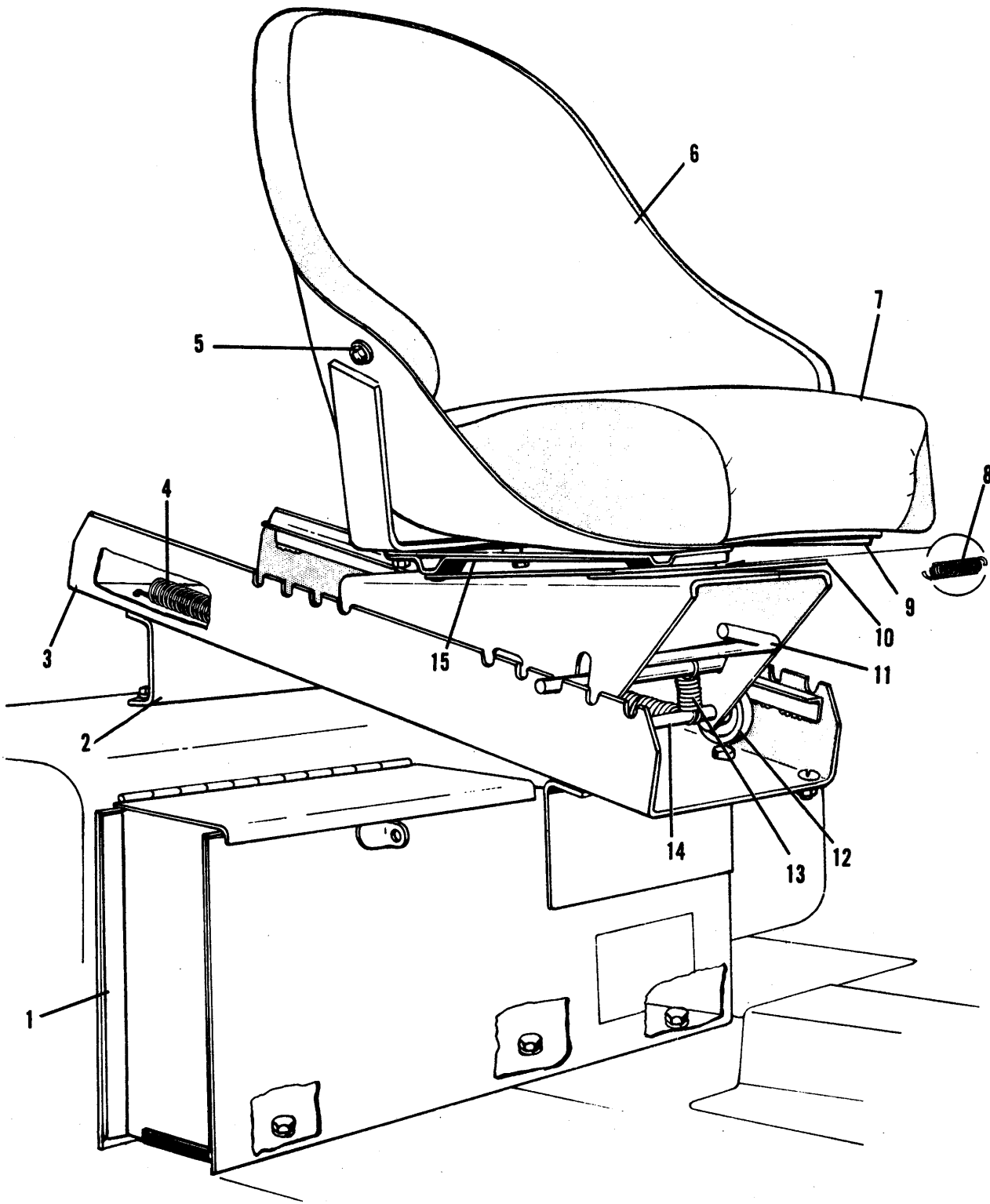


**SEAT, SEAT SUPPORT & TOOL BOX**

ASSEMBLY C  
PACKAGE NO.

ITEM	PART NUMBER	QTY.	DESCRIPTION	ASSEMBLY C PACKAGE NO.
1	247831	1	BOX, tool	
			2 923191 CAPSCREW, pltd., 1/2NC x 3-1/4, gr. 5	
			1 921176 CAPSCREW, pltd., 1/2NC x 1-1/4, gr. 5	
			3 916966 LOCKWASHER, pltd., 1/2	
2	247830	1	SUPPORT, seat	
			2 923114 CAPSCREW, pltd., 1/2NC x 1, gr. 5	
			2 916966 LOCKWASHER, pltd., 1/2	
			2 916951 NUT, 1/2NC, hex. pltd.	
3	247827	1	RAIL ASSY.	
			2 917481 SCREW, mach. rd. hd., 3/8NC x 7/8 (Replaces 900593)	
			2 916965 LOCKWASHER, 3/8, pltd.	
			2 916950 NUT, 3/8NC, pltd.	
			4 923114 CAPSCREW, pltd., 1/2NC x 1, gr. 5	
			4 916966 LOCKWASHER, 1/2, pltd.	
			4 916951 NUT, hex., pltd., 1/2NC	
4	251863	2	SPRING, seat return	
5	918228	7	CAPSCREW, 3/8NC x 5/8	
			1 918266 WASHER, 13/32 x 13/16 x 1/16	
6	250689	1	BACKREST ASSY.	
7	250690	1	CUSHION ASSY.	
8	254506	1	SPRING, extension (Replaces 250692)	254499
9	254492	1	SEAT ASSY. (Incl. items 5, 6, 7, 15 & Kits) (Replaces 251616)	
			1 1003728 SHELL, seat	
			4 921332 CAPSCREW, 5/16 NC x 3/4"	
			4 917356 WASHER, lock 5/16	
			2 917372 NUT, 5/16 NC	
10	250688	1	CARRIAGE	
11	247821	1	HANDLE ASSY., seat actuating	
12	239717	4	ROLLER	
13	247825	2	SPRING, extension	
14	247826	2	PIN, chamfered	
15	254493	1	SWIVEL ASSY. (Replaces 250691)	
			4 917356 WASHER, lock 5/16	
			4 920263 NUT, 5/16 NC	
			1 254494 SPACER	
16	-----	1	TRANSFER, patent.	247616
-	254495	1	KIT, slide	
-	254499	1	KIT, extension spring	
-	1095434-5	1	BELT, seat	

SEAT, SEAT SUPPORT & TOOL BOX

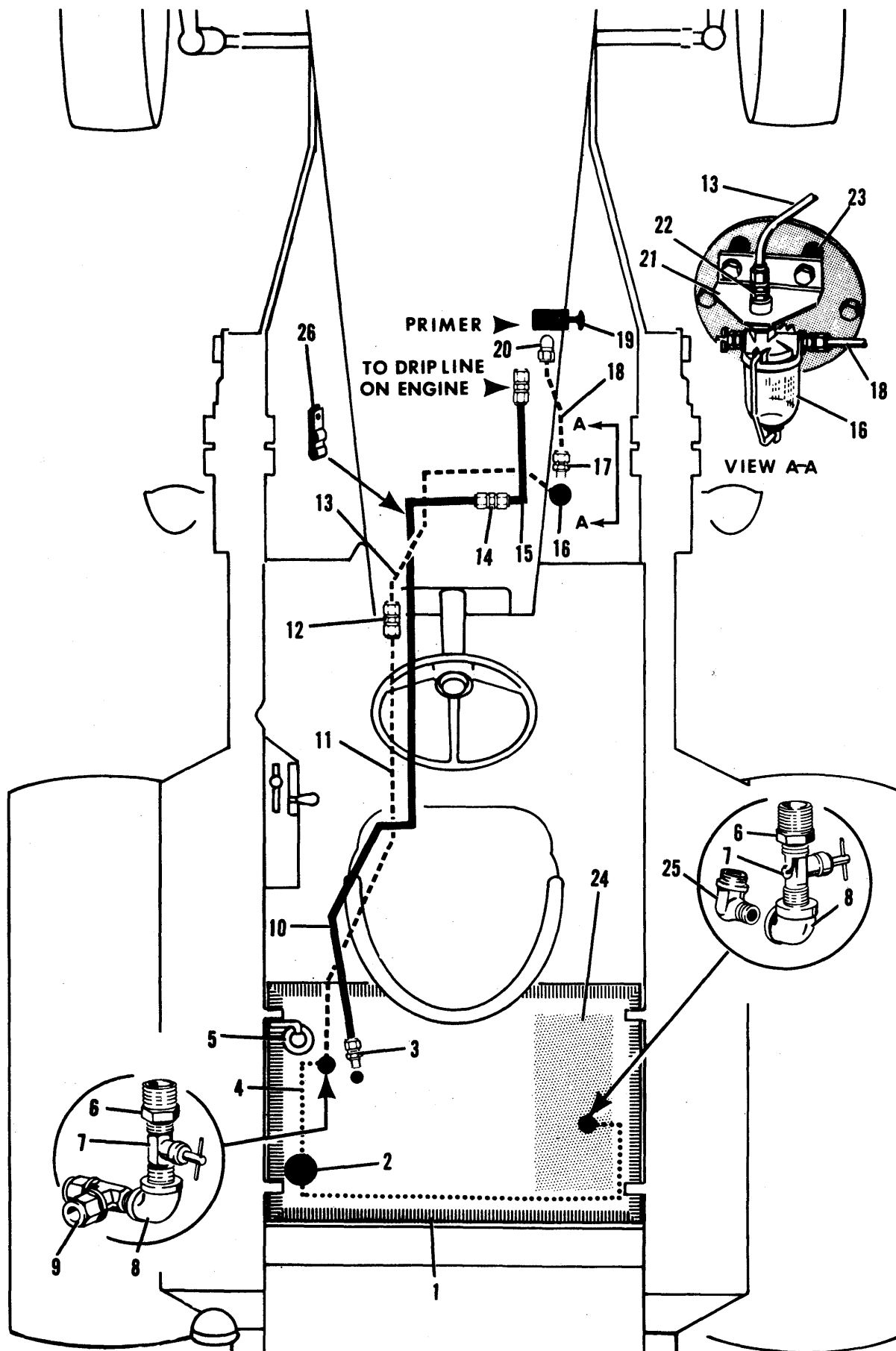


## FUEL TANK &amp; FUEL LINES

ASSEMBLY O  
PACKAGE NO.

ITEM	PART NUMBER	QTY.	DESCRIPTION	ASSEMBLY O PACKAGE NO.
1	247686	1	TANK ASSY., fuel	
		4	918308 NUT, 3/8NC	
		4	913544 WASHER, 3/8	
		4	921332 CAPSCREW, pltd., 5/16NC x 3/4, gr. 5	
		4	917642 WASHER, plain, 5/16, pltd.	
		4	917356 LOCKWASHER, 5/16, pltd.	
		4	917372 NUT, 5/16NC, pltd., hex.	
2	250721	1	CAP, fuel tank	
3	919800	1	CONNECTOR, male, 1/4 tube, 1/8 pipe thread	
4	248499	1	TUBE ASSY.	
5	-----	1	See FUEL SENDING UNIT Group for Components	
6	917351	2	BUSHING, pipe, brass, 3/8 x 1/4	
7	914378	2	VALVE, shut-off, 1/4	
8	926563	2	ELBOW, reducer, 1/4 to 1/8	
9	924425	1	TEE, service, 5/16 tube, 1/8 pipe thread	
10	250285	1	TUBE ASSY., drip line, rear (Replaces 241891)	
11	254418	1	TUBE ASSY., (Tee to Connector)	
12	922877	1	UNION, 5/16 tube	
13	247693	1	TUBE ASSY., connector to fuel filter	
14	921534	2	UNION, 1/4 tube	
15	250286	1	TUBE ASSY., drip line, front	
16	-----	1	FILTER ASSY., fuel tank (See FUEL TANK FILTER For Components)	
17	921143	1	CONNECTOR, male, 5/16 tube, 1/8 pipe thread	
18	249258	1	TUBE ASSY., filter to primer pump	
19	-----	1	PUMP ASSY., primer (See PRIMER PUMP For Components)	
20	920433	1	ELBOW, male 1/4	
21	247691	1	BRACKET	
		2	921024 CAPSCREW, 1/2NC x 2, pltd., gr. 5	
		2	916966 LOCKWASHER, 1/2, pltd.	
22	920548	1	CONNECTOR, male, 5/16 tube x 1/4 pipe thread	
	917351	1	BUSHING, pipe, brass, 3/8 x 1/4	
23	250722	2	CYLINDER, hollow	
24	248234	1	TREAD, step	
25	919183	1	ELBOW, male, 5/16 tube, 1/8 pipe thread	
26	229823	1	GUIDE	
		1	914889 BOLT, rd. hd., 1/4NC x 3/4	
		1	904204 LOCKWASHER, 1/4	
		1	910880 NUT, 1/4NC	
27	241887	2	STRIP, packing (Not Illustrated)	

FUEL TANK & FUEL LINES



---

**FUEL SENDING UNIT**

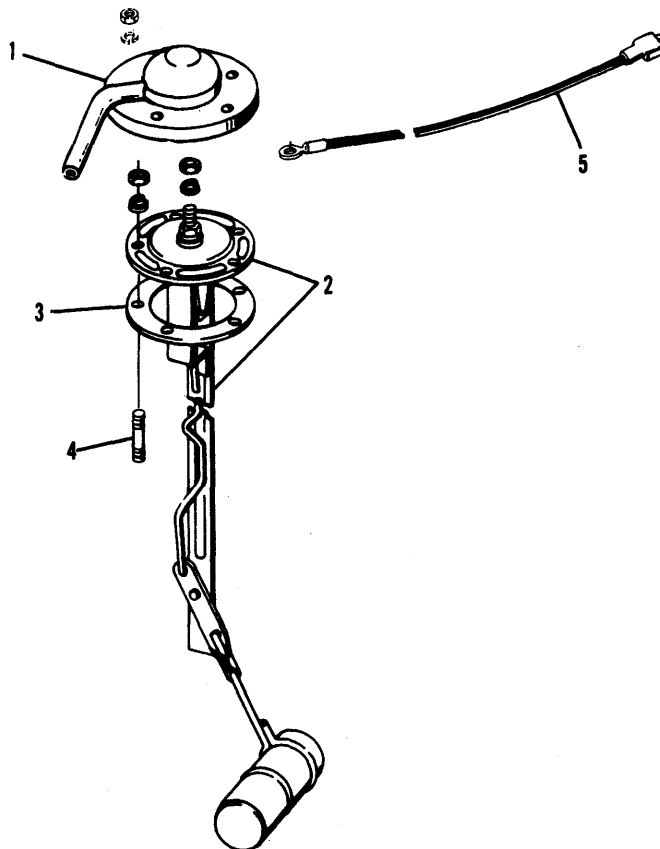
ITEM	PART NUMBER	QTY.	DESCRIPTION	ASSEMBLY OR PACKAGE NO.
1	247689	1	COVER ASSY., fuel gauge sending unit	
2	247688	1	SENDING UNIT, fuel gauge	
	1 909055		LOCKWASHER, pltd., #10	
	1 917415		NUT, pltd., #10NF	
3	241522	1	GASKET, fuel gauge sending unit	
4	240567	5	STUD	
	2 917365		LOCKWASHER, pltd., #10	
	2 917415		NUT, pltd., #10NF	
5	246720	1	WIRE ASSY., fuel sending unit	

---

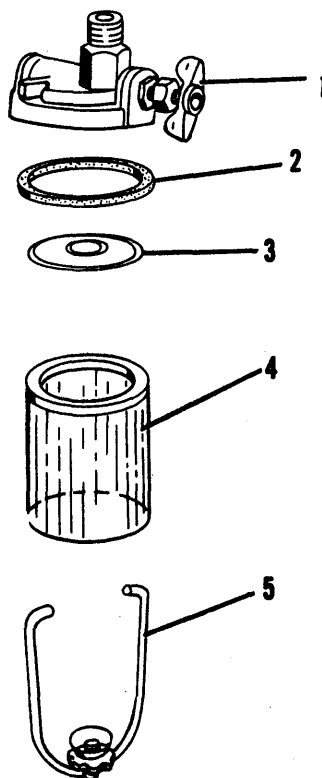
**FUEL TANK FILTER**

ITEM	PART NUMBER	QTY.	DESCRIPTION	ASSEMBLY OR PACKAGE NO.
-	237946	1	FILTER ASSY., fuel (Incl. items 1 thru 5)	
1	223255	1	VALVE ASSY., fuel	
2	208137	1	GASKET, filter	
3	208325	1	SCREEN, filter	
4	237947	1	BOWL, glass (fire resistant)	
	217264	1	BOWL, metal	
5	223248	1	BAIL ASSY., fuel bowl	

FUEL SENDING UNIT



FUEL TANK FILTER



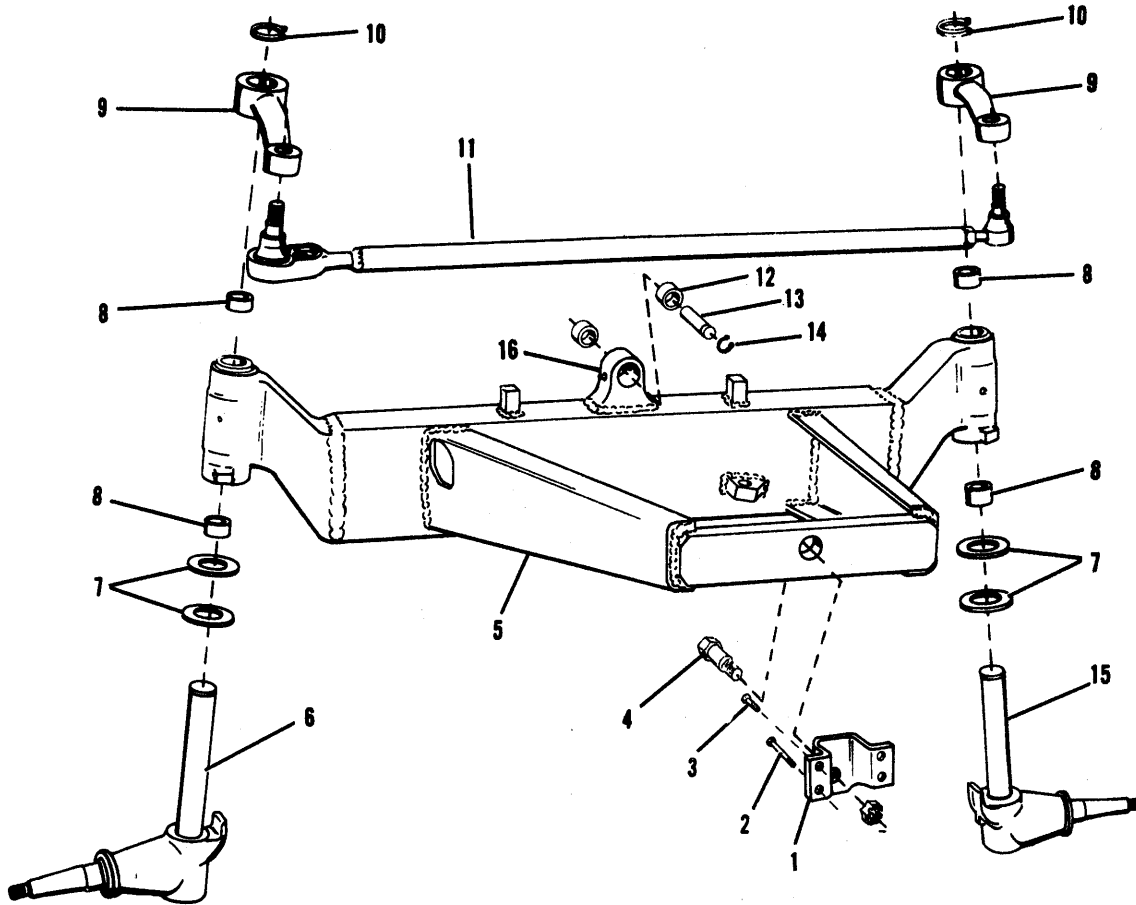
## FRONT AXLE

ITEM	PART NUMBER	QTY.	DESCRIPTION	ASSEMBLY OR PACKAGE NO.
1	235153	1	STRAP, pivot rear	
2	1003012	2	CAPSCREW, w/J LOCK (lower)(Replaces 253013)	
3	1003011	2	CAPSCREW, w/J LOCK (upper)(Replaces 253012)	
4	235154	1	BOLT, pivot	
		1	916896 NUT, slotted, 7/8NF	
		1	910259 PIN, cotter, 5/32 x 2	
5	253008	1	AXLE ASSY., (Incl. BUSHINGS)	
		3	914465 FITTING, lube, straight, 1/8 x 23/32	
6	253003	1	SPINDLE, L.H.	
		1	924070 KEY, hi pro, 3/8 x 1-1/2	
7	253009	4	WASHER, thrust	
8	253005	4	BUSHING	
9	252942	2	ARM, spindle	
10	239027	2	RING, snap	
11	246790	1	TIE ROD ASSY. (Incl. Seal, tie rod, tie rod end & nut)	
		1	1003606 TIE ROD	
		1	1007070 TIE ROD END	
		1	1003604 NUT	
		1	1003580 SEAL	
		2	916896 NUT, hex. 7/8NF	
		2	900808 PIN, cotter, 1/8 x 1-1/2	
12	242962	2	BUSHING	
13	242957	1	PIN, pivot	
14	242958	1	RING, snap	
15	253004	1	SPINDLE, R.H.	
		1	924070 KEY, hi pro, 3/8 x 1-1/2	
16	247355	1	BLOCK ASSY., (Incl. Bushings Item 12)	

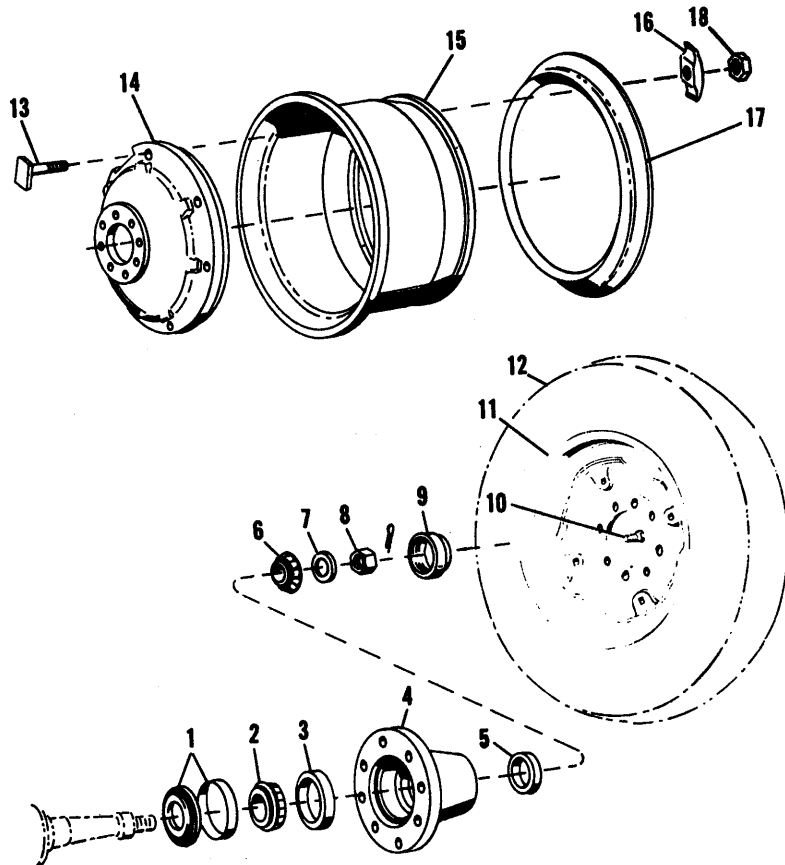
## FRONT WHEELS

ITEM	PART NUMBER	QTY.	DESCRIPTION	ASSEMBLY OR PACKAGE NO.
1	250850	2	KIT, sleeve seal wear	
2	253011	2	CONE, bearing, inner	
3	4250616	2	CUP, bearing, inner	
4	250854	2	HUB ASSY., front wheel (Incl. items 3 & 5)	
5	209987	2	CUP, bearing, outer	
6	333944	2	CONE, bearing, outer	
7	253014	2	WASHER, spindle	
8	912624	2	NUT, spindle	
		1	910148 PIN, cotter, 7/32 x 2	
9	250848	2	CAP, hub	
10	251693	16	BOLT, hub	
11	242534	2	WHEEL ASSY., rim & disc (f/11:00 x 16)	
12	(-----	2	TIRE & TUBE (11:00-16 I-1)(Not Serviced - Obtain Locally)	
	(-----	2	TIRE & TUBE (9:00 x 20) (Not Serviced - Obtain Locally)	
13	235952	12	BOLT	
14	247972	2	WHEEL, front	
15	253377	2	RIM, base	
16	247443	12	CLAMP	(9:00 x 20)
17	253376	2	RING, side	
18	254679	24	NUT, heavy	

FRONT AXLE



FRONT WHEELS





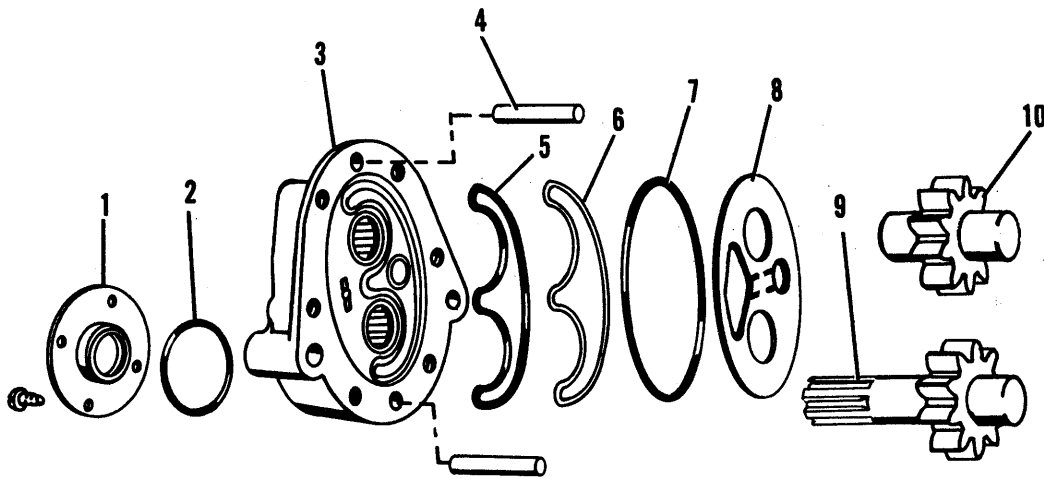
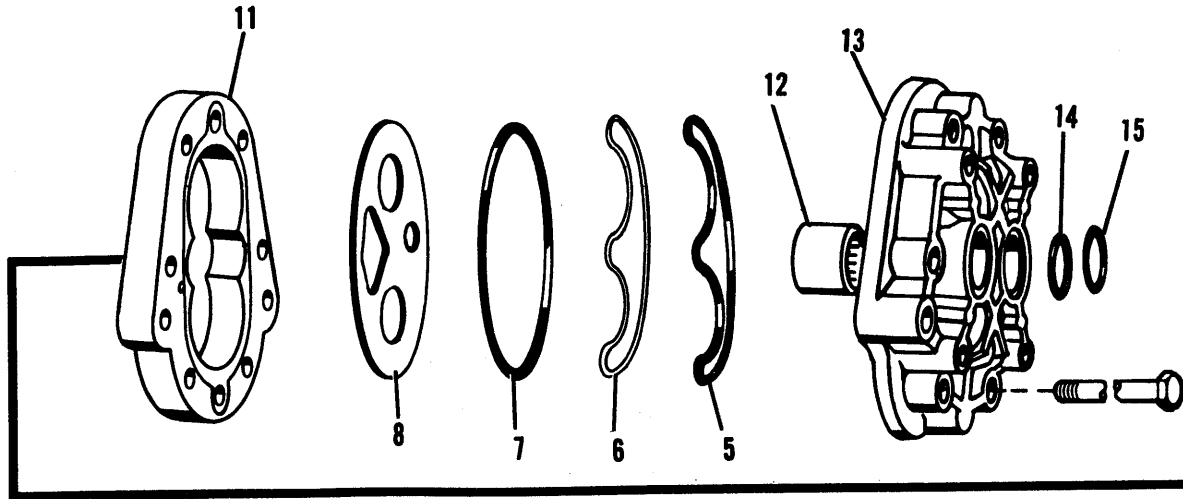
**HYDRAULIC PUMP (SINGLE)**

ITEM	PART NUMBER	QTY.	DESCRIPTION	ASSEMBLY OR PACKAGE NO.
-	251787	1	PUMP ASSY., hydraulic (Incl. items 1 thru 13)	
1	241138	1	RETAINER ASSY., seal (Incl. Seal & Retainer)	
		1	----- SEAL, oil (Not Serviced)	
		1	247332 RETAINER, seal	
		4	914198 SCREW, pan-hd., s/tap, #10-24 x 3/8	
2	235713	1	O-RING	
3	241107	1	BODY ASSY., pump (Incl. 2 of item 12)	
4	250360	2	PIN, dowel	
5	-----	2	RING, sealing . . . . .	253490
6	-----	2	RING, back-up . . . . .	253490
7	-----	2	SEAL, wear plate . . . . .	253490
8	250331	2	PLATE, wear	
9	250357	1	SHAFT ASSY., drive (Incl. GEAR)	
10	250358	1	SHAFT ASSY., idler (Incl. GEAR)	
11	251786	1	PLATE, gear	
12	234692	4	BEARING, needle	
13	248605	1	COVER ASSY., pump (Incl. 2 of item 12)	
		6	922130 CAPSCREW, pltd., 3/8NC x 2-1/4	
14	246235	1	O-RING, intake side	
15	923567	1	O-RING, pressure side, 1 x 3/32	

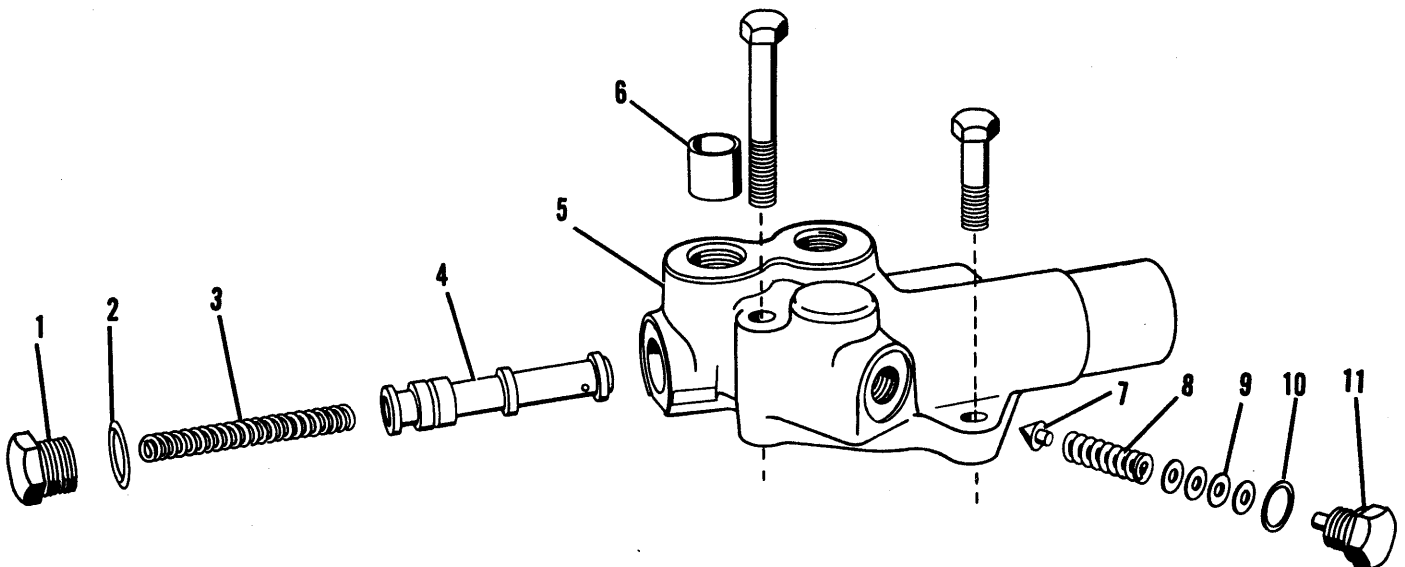
**HYDRAULIC PUMP MANIFOLD**

ITEM	PART NUMBER	QTY.	DESCRIPTION	ASSEMBLY OR PACKAGE NO.
-	251789	1	MANIFOLD ASSY., hyd. pump (Incl. items 1 thru 11)	
		3	914392 CAPSCREW, 5/16NC x 1, gr. 5	
		1	913730 CAPSCREW, 5/16NC x 2-1/4, gr. 5	
		1	918887 PLUG, pipe, 3/8	
1	241129	1	PLUG	
2	241391	1	O-RING	
3	241128	1	SPRING	
4	241127	1	PISTON	
5	-----	1	MANIFOLD, pump (Serviced only in Assembly)	
6	227343	1	SEAT	
7	241130	1	VALVE	
8	241131	1	SPRING	
9	241134	*	SHIM (* Use as req'd.)	
10	241126	1	GASKET, plug	
11	241135	1	PLUG	

HYDRAULIC PUMP (SINGLE)



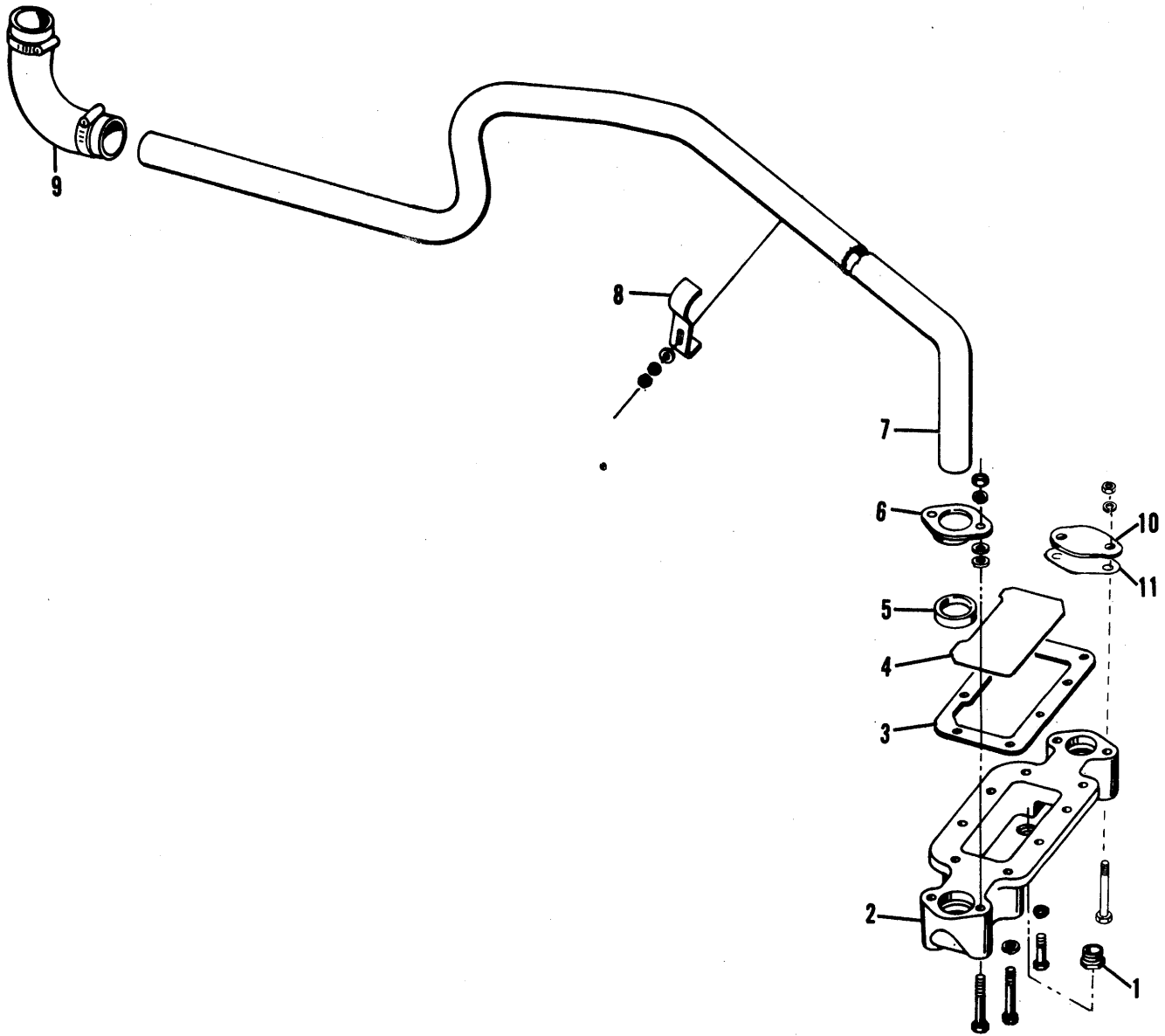
HYDRAULIC PUMP MANIFOLD



**SUMP COVER, STRAINER & INTAKE TUBE**

ITEM	PART NUMBER	QTY.	DESCRIPTION	ASSEMBLY OR PACKAGE NO.
1	920416	1	PLUG, pipe, 1/2	
2	245848	1	COVER, sump	
		6	921333 CAPSCREW, pltd., 5/16NC x 1, gr. 5	
		2	921160 CAPSCREW, pltd., gr. 5, 5/16NC x 2-1/4	
		8	917356 LOCKWASHER, pltd., 5/16	
3	246134	1	GASKET, cover	
4	249934	1	SCREEN, oil intake	
5	245846	1	SEAL	
6	251572	1	FLANGE	
		2	923141 CAPSCREW, pltd., 5/16NC x 2-3/4, gr. 5	
		2	917356 LOCKWASHER, pltd., 5/16	
		2	917372 NUT, hex. pltd., 5/16NC	
		4	917642 WASHER, plain, pltd., 5/16	
7	247810	1	TUBE, sump to pump	
8	241048	1	CLAMP, tube bracket	
		1	921962 BOLT, pltd., 1/4NC x 3	
		1	911114 WASHER, plain, 9/32 x 5/8 x 1/16	
		1	917730 NUT, 1/4NC	
9	239723	1	HOSE	
		2	924132 CLAMP, hose, 1-5/8 - 2-1/16	
10	247276	1	COVER	
		2	923141 CAPSCREW, pltd., 5/16NC x 2-3/4, gr. 5	
		2	917356 LOCKWASHER, pltd., 5/16	
		2	917372 NUT, hex. pltd., 5/16NC	
11	247280	1	GASKET	

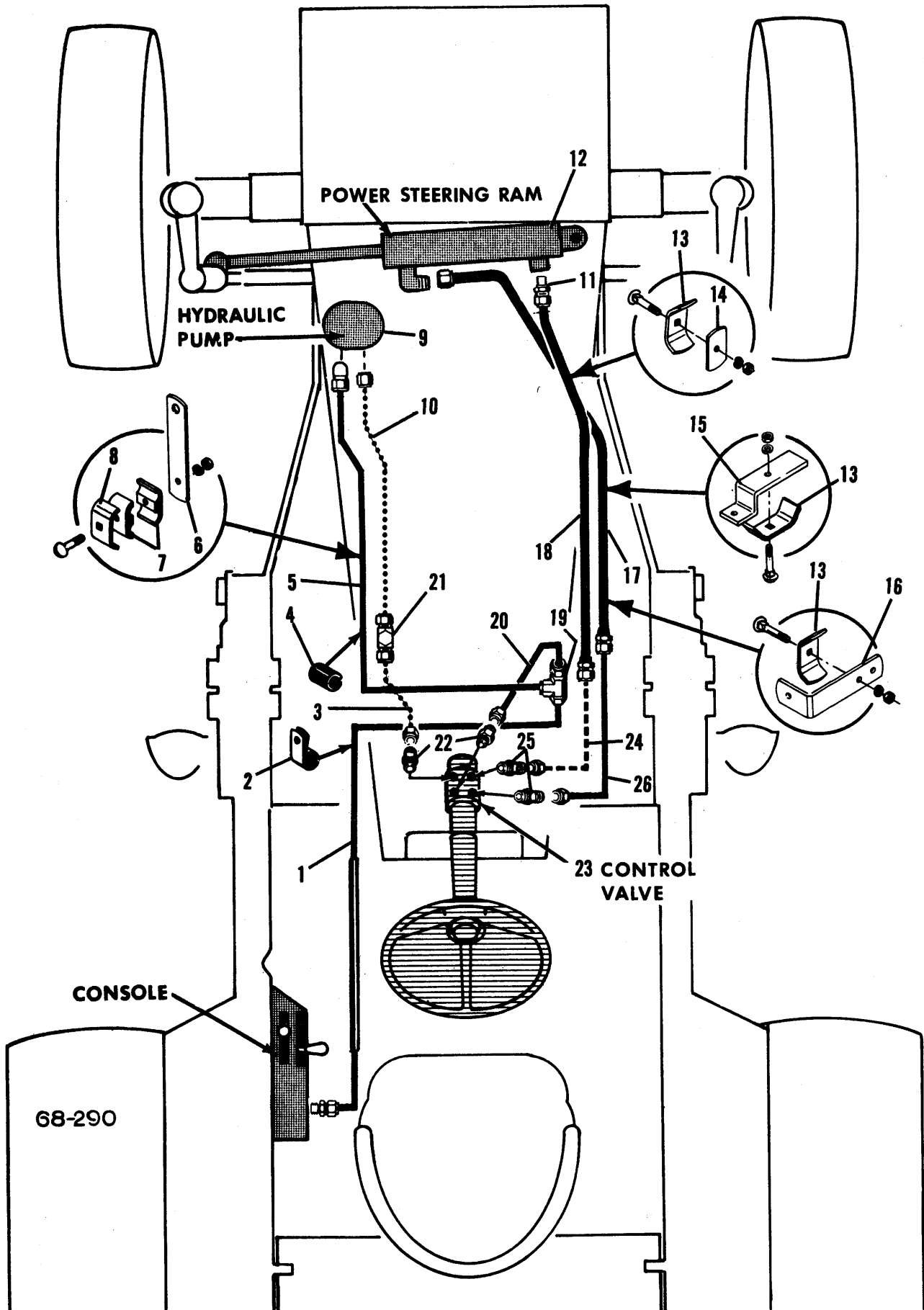
SUMP COVER, STRAINER & INTAKE TUBE



## POWER STEERING RAM &amp; LINES

ITEM	PART NUMBER	QTY.	DESCRIPTION	ASSEMBLY OR PACKAGE NO.
1	247303	1	TUBE ASSY., tee to shuttle clutch valve	
			1 919063 CONNECTOR, 1/2 x 3/8	
2	239215	1	CLAMP	
			1 923341 CAPSCREW, pltd., 1/4NC x 3/4	
			1 917377 WASHER, plain, pltd., 1/4	
			1 916622 NUT, 1/4NC, pltd.	
3	251752	1	TUBE ASSY., rear (Orbitrol to Tee)	
4	228441	1	CUSHION	
5	250745	1	TUBE ASSY., pump to tee (front)	
			1 913888 ELBOW, 1/2 x 3/8, pipe	
6	243721	1	BRACKET	
7	236750	2	CUSHION	
8	228465	1	CLAMP	
			1 922837 CAPSCREW, pltd., 1/4NC x 1-1/2	
			1 916964 LOCKWASHER, 1/4	
			1 916622 NUT, pltd., 1/4NC	
9	-----	1	PUMP ASSY., (See Hyd. Pump Group for Components)	
10	251755	1	TUBE ASSY., front (Tee to Pump)	
11	919135	1	ELBOW, tube	
12	-----	1	RAM ASSY., (See POWER STEERING RAM Group for Components)	
13	243207	3	CLAMP	
			1 923978 BOLT, cge, pltd., 1/4NC x 1-1/2	
			1 916964 LOCKWASHER, pltd., 1/4	
			1 916622 NUT, pltd., 1/4NC	
14	234087	1	BRACKET	
15	250760	1	BRACKET	
16	250633	1	BRACKET	
			1 919358 CAPSCREW, 3/8NC x 1-1/8	
			1 916965 LOCKWASHER, 3/8	
17	251756	1	HOSE ASSY., valve to ram, left	
18	251758	1	HOSE ASSY., valve to ram, right	
19	921472	1	TEE, 1/2 x 3/4-16	
			1 923737 CAP, 1/2	
20	251754	1	TUBE ASSY., upper, (Orbitrol to Tee)	
21	921472	1	TEE, union, 1/2	
22	921409	2	CONNECTOR (Incl. O-RING) 1/2	
			1 921349 O-RING, 1/2	
23	-----	1	VALVE ASSY., control (See CONTROL VALVE Group for Components)	
24	251757	1	TUBE ASSY., valve to ram, right	
25	922457	2	CONNECTOR (Incl. O-RING) 3/8	
			1 921885 O-RING, 3/8	
26	251753	1	TUBE ASSY., valve to ram, left	

POWER STEERING RAM & LINES



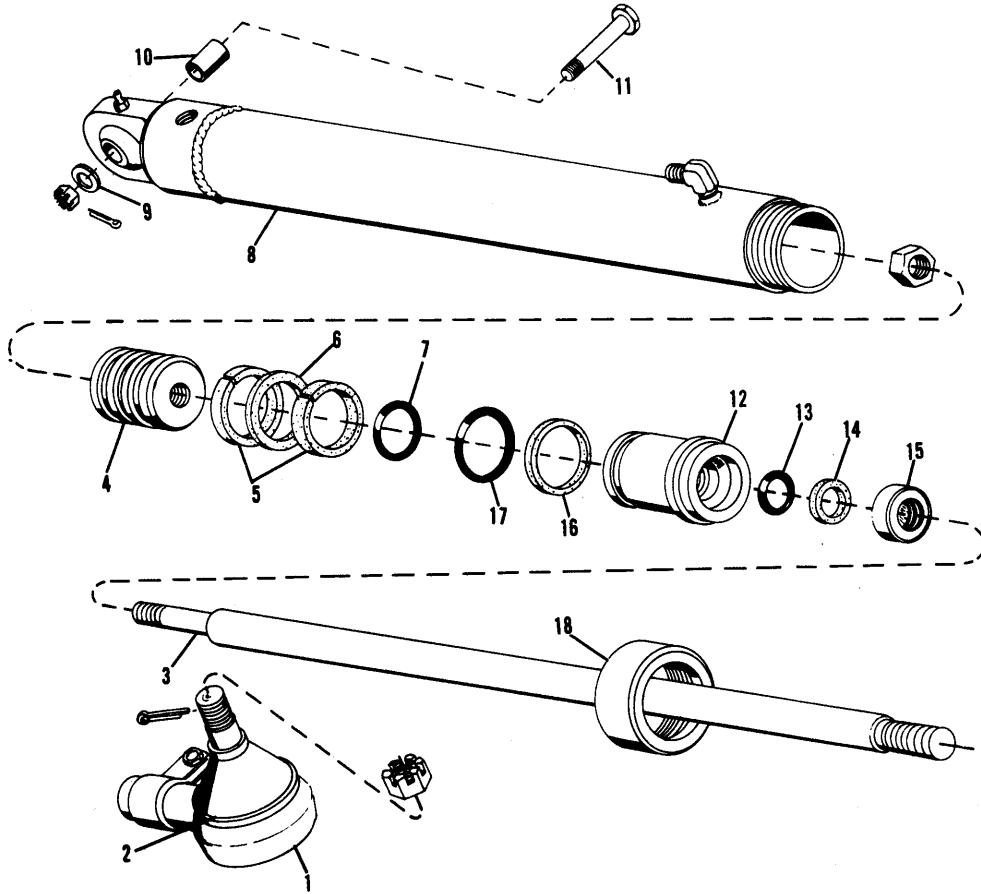
## POWER STEERING RAM

ITEM	PART NUMBER	QTY.	DESCRIPTION	ASSEMBLY OR PACKAGE NO.
-	254674	1	RAM ASSY., (Incl. items 3 thru 8, 10 & 12 thru 18) (Replaces 251747)	
1	254694	1	END ASSY., cylinder (Incl. NUT & DUST SEAL) (Replaces 246738)	
		1	912840 NUT, 5/8NF	
		1	900806 PIN, cotter, 1/8 x 1	
		1	903641 CAPSCREW, 1/2NC x 2-1/4	
		1	918617 NUT, 1/2NC	
2	223558	1	COVER, dust	
3	-----	1	ROD (Not Serviced) (Order Complete Assy.)	
		1	915011 NUT, 5/8NF	
4	247033	1	PISTON ASSY., (Incl. 5, 6 & 7)	
5	247035	2	RING, wear	
6	-----	1	RING, sealing (Not Serviced) (Order Item 4)	
7	923570	1	O-RING, 1-9/16 x 3/32	
8	-----	1	CYLINDER ASSY., (Not Serviced; Order Complete Assy.)	
		1	912808 FITTING, lube, 1/4 - 28	
9	244237	1	WASHER	
10	244019	1	BUSHING ASSY., ram end	
11	251744	1	CAPSCREW	
		1	912231 NUT, jam, 3/4NC	
		1	925721 PIN, cotter, pltd., 5/32 x 2	
12	247037	1	GUIDE ASSY., (Incl. GUIDE & Items 13 thru 17)	
13	923575	1	O-RING, 1 x 1/8	
14	926616	1	RING, backup (Replaces 244015)	
15	244016	1	SEAL, wiper scraper	
16	926621	1	RING, backup (Replaces 247700)	
17	923577	1	O-RING, 1-3/4 x 1/8	
18	247675	1	COLLAR, retaining	
-	1003727	-	KIT, seal (Incls. Items 5, 6, 7, 13, 14, 15, 16, & 17)	

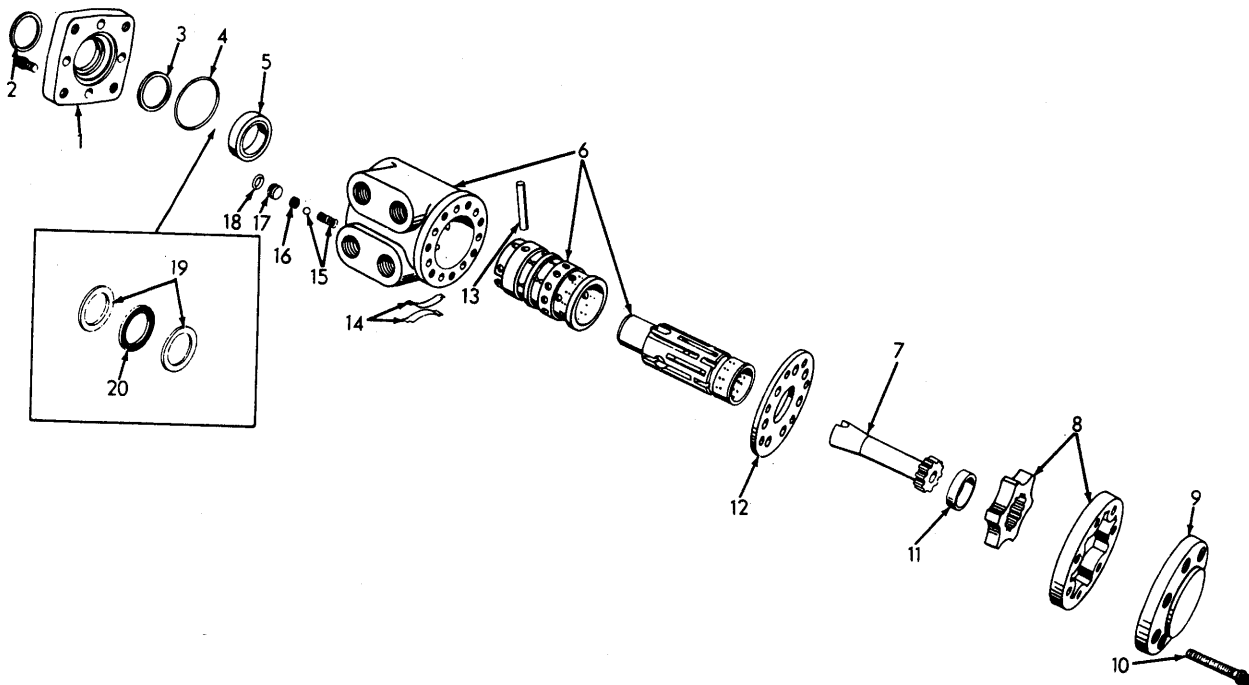
## CONTROL VALVE-POWER STEERING

ITEM	PART NUMBER	QTY.	DESCRIPTION	ASSEMBLY OR PACKAGE NO.
-	249505	1	VALVE ASSY., control (Incl. items 1 thru 20)	
1	239181	1	PLATE, mounting	
		4	923334 CAPSCREW, 5/16NC x 5/8	
2	-----	1	SEAL, oil, mounting plate	239229
3	-----	1	SEAL, quad ring	239229
4	-----	1	SEAL, O-ring	239229
5	243496	1	LOCATOR	
6	252126	1	CONTROL PARTS ASSY., (Incl. SLEEVE, SPOOL & VALVE HOUSING)	
7	239180	1	DRIVE	
8	239177	1	GEROTOR SET	
9	239196	1	CAP, end	
10	923337	7	CAPSCREW, 1/4NC x 1-3/4	
11	239179	1	SPACER	
12	239178	1	PLATE	
13	239176	1	PIN, centering	
14	239197	6	SPRING, centering	
15	239188	1	SPRING, compression	
		1	921874 BALL, steel, 1/4	
16	239189	1	SEAT, check	
17	239195	1	PLUG, seal	
18	-----	1	SEAL, O-ring	239229
19	243495	2	RACE, bearing	
20	627265	1	BEARING, needle thrust	

POWER STEERING RAM



CONTROL VALVE-POWER STEERING





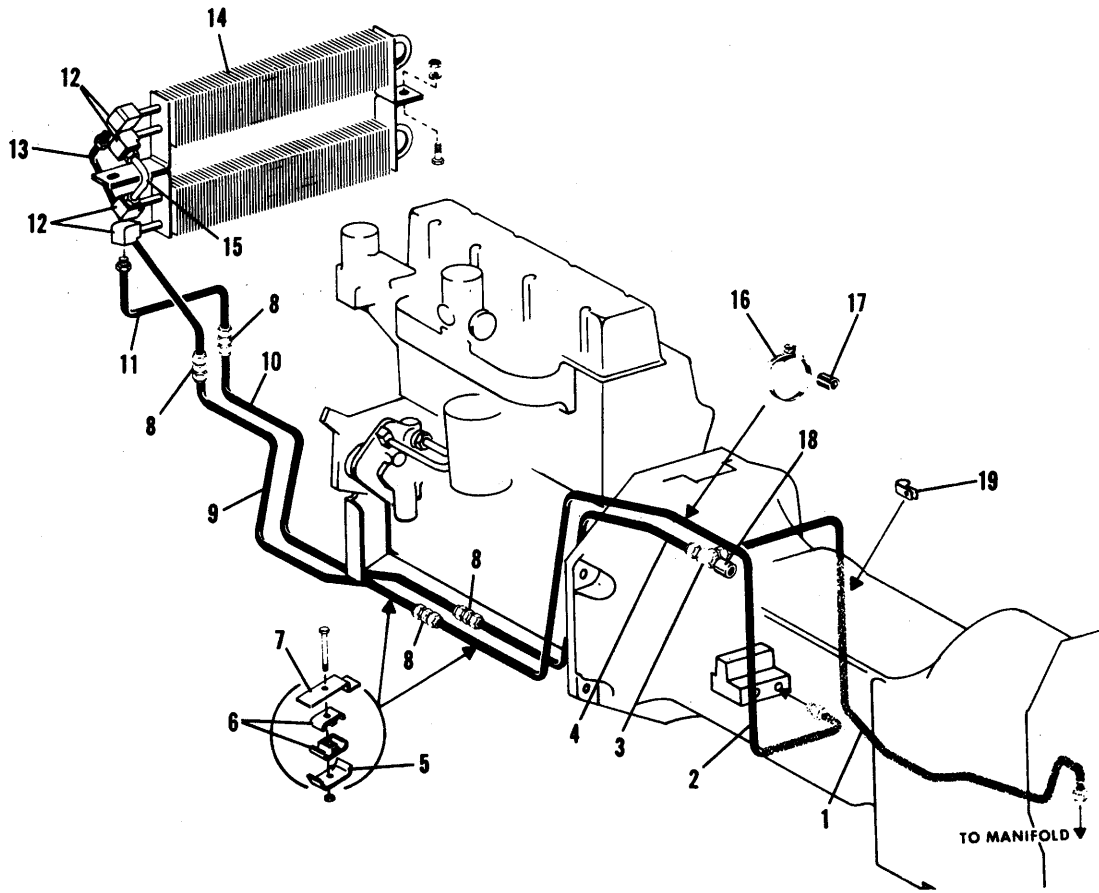
**OIL COOLER & LINES**

ITEM	PART NUMBER	QTY.	DESCRIPTION	ASSEMBLY O. PACKAGE NO.
1	252953	1	TUBE ASSY., rear, manifold to tee	
2	250738	1	TUBE, manifold to cooler (Rear)	
3	925399	1	TEE, 1/2 x 1/2 NPT	
4	250739	1	TUBE, cooler to shuttle clutch (Rear Inter)	
5	228465	2	CLAMP	
		1	922837 CAPSCREW, pltd., 1/4NC x 1-1/2	
		1	916622 NUT, pltd., 1/4NC	
6	236750	4	CUSHION	
7	250760	2	BRACKET	
8	919066	4	UNION, 1/2 x 1/2	
9	250748	1	TUBE, cooler to shuttle clutch (Front Inter)	
10	251738	1	TUBE, manifold to cooler (Inter)	
11	250750	1	TUBE, cooler to shuttle clutch (Front)	
12	228426	4	ELBOW	
13	250746	1	TUBE, manifold to cooler (Upper Front)	
14	245417	2	COOLER ASSY.	
		1	903775 CAPSCREW, 3/8NC x 7/8	
		1	904206 LOCKWASHER, 3/8	
		1	910324 NUT, 3/8NC	
15	250747	1	TUBE, cooler to cooler	
16	921913	1	CLAMP, 1-13/16 - 2-3/4	
17	228441	5	CUSHION	
18	917567	1	ADAPTER, 1/2NPT	
19	925618	1	CLAMP	
		1	926115 CAPSCREW, pltd., 1/2NC x 3/4	
		1	916966 LOCKWASHER, pltd., 1/2	

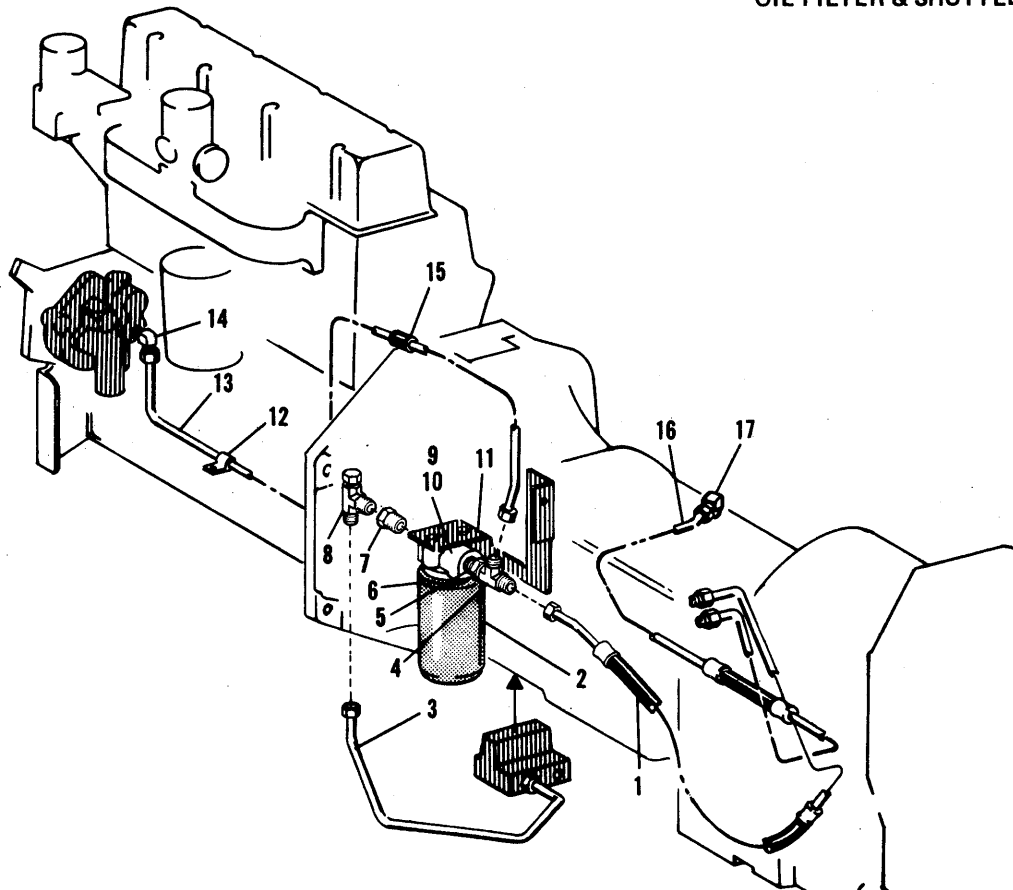
**OIL FILTER & SHUTTLE CLUTCH LINES**

ITEM	PART NUMBER	QTY.	DESCRIPTION	ASSEMBLY OR PACKAGE NO.
1	251736	1	TUBE ASSY., shuttle clutch valve to filter (Rear)	
2	1003519	1	FILTER ASSY., (Incl. items 6, 9 & 10)(Replaces 253206)	
3	1003609	1	TUBE ASSY., filter to manifold (Replaces 251737)	
4	925399	1	TEE, 1/2 x 1/2 NPT	
5	901842	1	BUSHING, pipe, 1 x 1/2 NPT	
6	1003522	1	ELEMENT (Incl. SEAL)(Replaces 253204)	
7	902071	1	BUSHING, pipe, 1 x 1/2 NPT	
8	921504	1	TEE, union, 1/2 x 3/8	
9	1003524	1	HEAD ASSY., (Incl. item 10)(Replaces 253205)	
		1	1007106-6 SEAL, head	
10	1003525	1	VALVE ASSY., relief (Replaces 253224)	
11	1003610	1	BRACKET, filter & tube support (Replaces 253203)	
		4	921965 CAPSCREW, pltd., 3/8NC x 3/4	
		4	916965 LOCKWASHER, pltd., 3/8	
		4	917378 WASHER, plain, pltd., 3/8	
12	239215	1	CLAMP	
		1	923341 CAPSCREW, pltd., 1/4NC x 3/4	
		1	917377 WASHER, plain, pltd., 1/4	
		1	916622 NUT, pltd., 1/4NC	
13	250742	1	TUBE ASSY., pump to filter (Front)	
14	919206	1	ELBOW, 3/8NPT x 1/2	
15	228441	1	CUSHION	
16	254392	1	TUBE ASSY., shuttle clutch valve (Eff. S/N 1010 & Up)	
	247306	1	TUBE ASSY., shuttle clutch valve to sump (Prior S/N 1010)	
	919206	1	ELBOW, male, 1/2 x 3/8 (Eff. S/N 1010 & up)	
17	917497	1	ELBOW, male 45°, 1/2 x 3/8 (Prior S/N 1010)	

OIL COOLER & LINES



OIL FILTER & SHUTTLE CLUTCH LINES



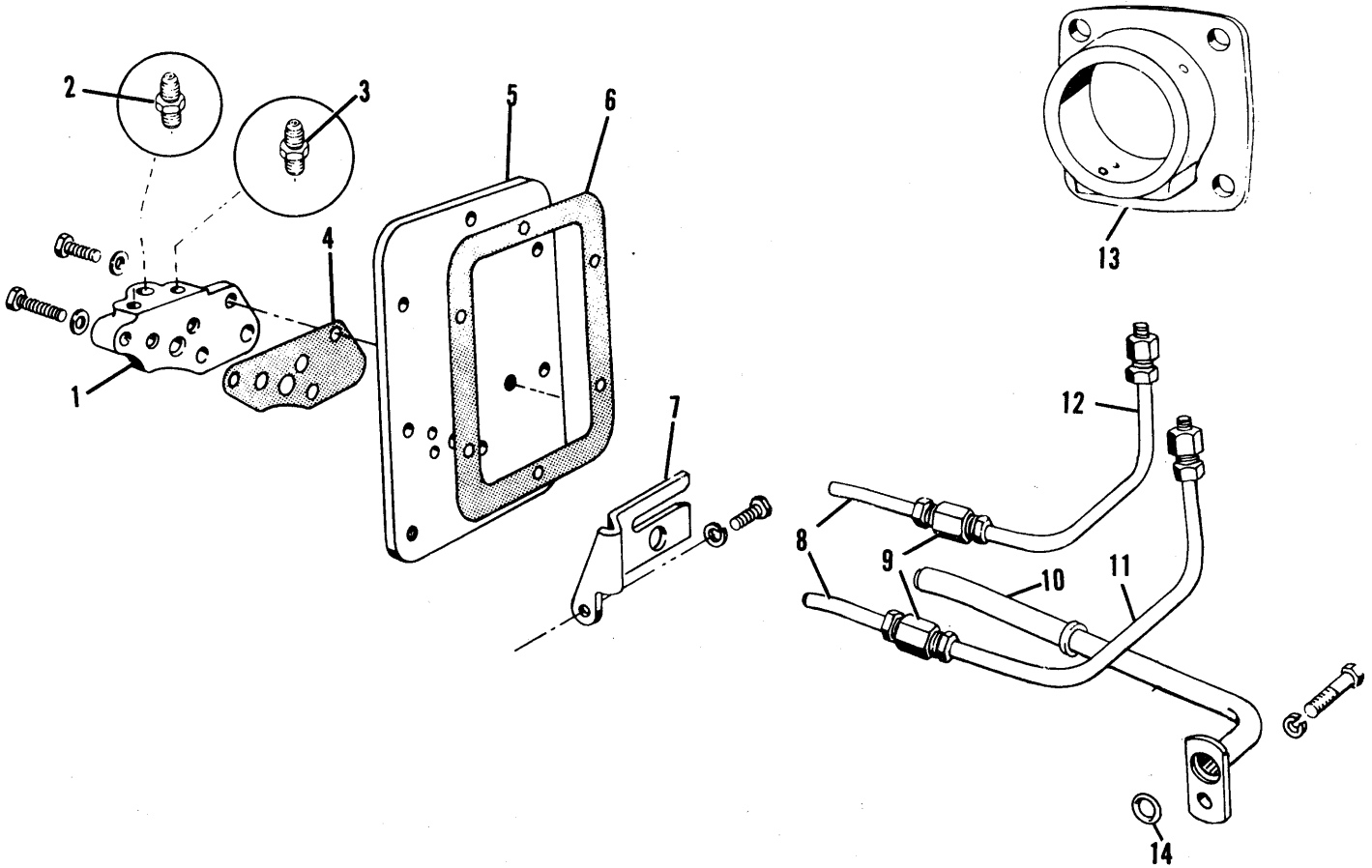
**SHUTTLE CLUTCH SUMP & MANIFOLD LINES**

ITEM	PART NUMBER	QTY.	DESCRIPTION	ASSEMBLY OR PACKAGE NO.
1	252641	1	MANIFOLD ASSY., (Incl. SEATS & Items 2 & 3)	
			1 916269 CAPSCREW, 3/8NC x 7/8	
			1 920415 CAPSCREW, 3/8NC x 1-1/4, pltd., gr. 5	
			1 923701 CAPSCREW, 3/8NC x 2	
			3 209734 WASHER	
			2 915771 BALL, 1/4 dia.	
			2 910231 PLUG, pipe, skt., 1/8	
2	919063	1	CONNECTOR, male, 1/2 x 3/8	
3	919002	2	CONNECTOR, male, 3/8 x 1/4	
4	247266	1	GASKET, manifold	
5	247264	1	COVER, transmission clutch	
			4 916269 CAPSCREW, 3/8NC x 7/8	
			4 209734 WASHER	
6	233245	1	GASKET, transmission cover	
7	247275	1	BRACKET	
			1 903775 CAPSCREW, 3/8NC x 7/8	
			1 904206 LOCKWASHER, 3/8	
8	247263	2	TUBE	
			1 923663 O-RING, 3/8	
			1 913842 NUT, 3/8NC	
9	919547	2	UNION, tube, 3/8	
10	250935	1	TUBE ASSY.	
			1 923565 O-RING, 1/2	
			1 903775 CAPSCREW, 3/8 x 7/8	
			1 904206 LOCKWASHER, 3/8	
11	250133	1	TUBE ASSY.	
			1 919072 CONNECTOR, male, 3/8 x 1/8	
12	250134	1	TUBE ASSY.	
			1 919072 CONNECTOR, male, 3/8 x 1/8	
13	-----	1	RETAINER, bearing (See TRANSMISSION MAIN SHAFT)	
			2 925200 SETSCREW, skt, cup. pt, nylok, 5/16NC	
14	927974	1	O-RING (Replaces 226687)	

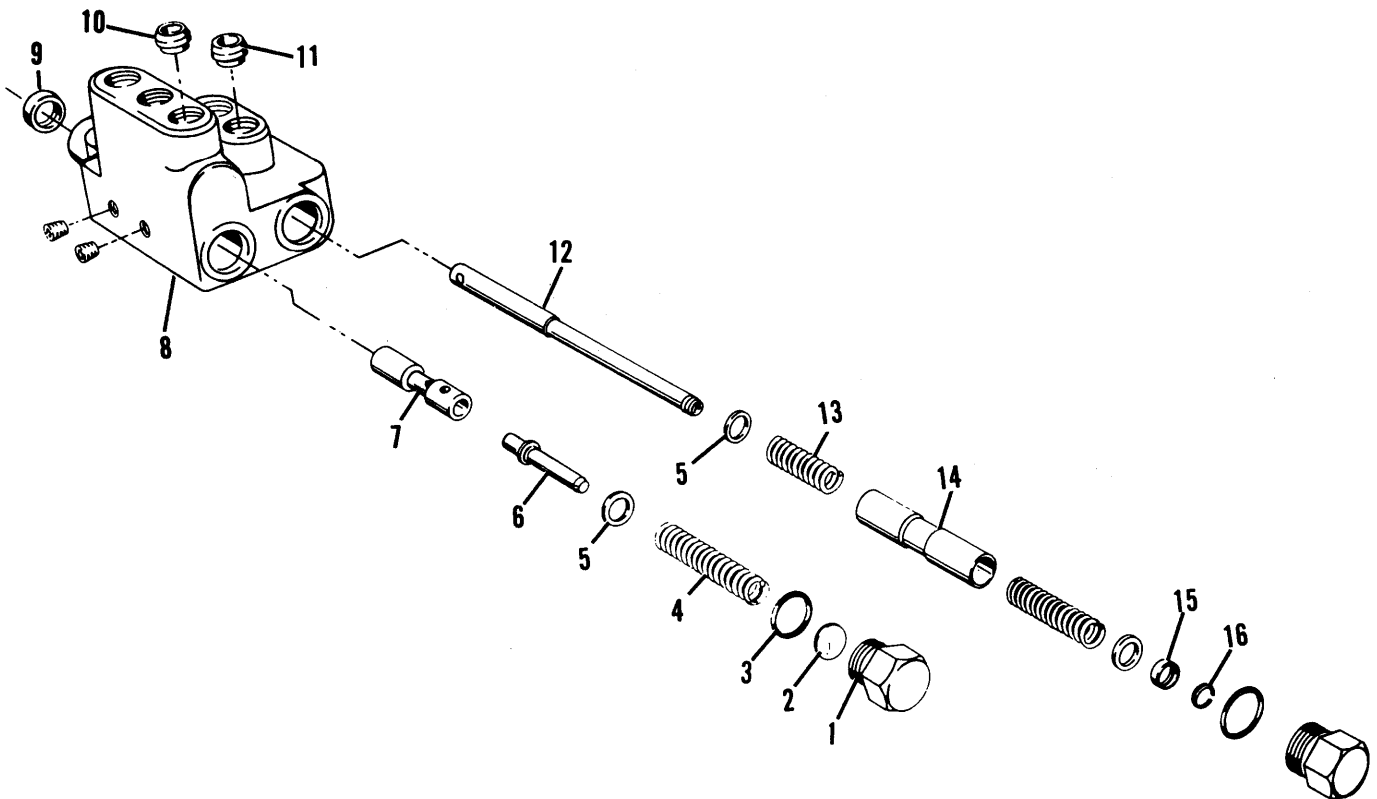
**SHUTTLE CLUTCH VALVE**

ITEM	PART NUMBER	QTY.	DESCRIPTION	ASSEMBLY OR PACKAGE NO.
-	248037	1	VALVE ASSY., shuttle clutch	
			2 903629 CAPSCREW, 3/8NC x 3/4	
			2 904206 LOCKWASHER, 3/8	
1	247270	2	CAP, end	
2	244619	*	SHIM (* As required)	
3	921349	2	O-RING, JIC, 1/2	
4	247271	1	SPRING, relief valve	
5	252571	2	WASHER	
6	252569	1	VALVE, relief	
7	247039	1	SPOOL ASSY.	
8	-----	1	BODY ASSY., (Serviced in Assy., only)	
			2 910231 PIPE, plug, 1/8	
9	243321	1	SEAL, oil	
10	227343	2	SEAT, tube, 1/2	
11	227463	2	SEAT, tube, 3/8	
12	247398	1	ROD, control	
13	244614	2	SPRING, throttling	
14	251838	1	SPOOL, valve	
15	252572	1	RETAINER, snap ring	
16	244616	1	RING, snap	

SHUTTLE CLUTCH SUMP & MANIFOLD LINES



SHUTTLE CLUTCH VALVE



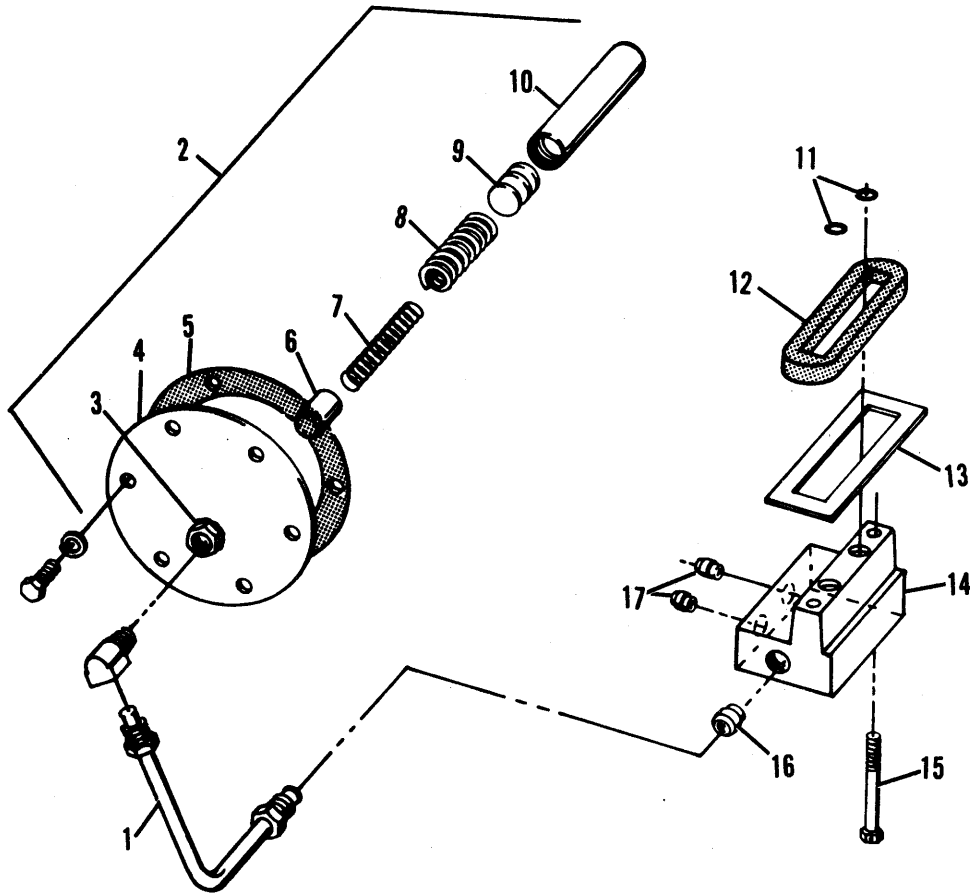
**MANIFOLD & RELIEF VALVE**

ITEM	PART NUMBER	QTY.	DESCRIPTION	ASSEMBLY OR PACKAGE NO.
1	249522	1	TUBE ASSY., manifold to sump	
			1 920662 ELBOW, invt. flared, male, 5/8 x 1/2	
2	247991	1	RELIEF VALVE & COVER ASSY. (Incl. items 3 & 5 thru 10)	
3	911072	1	REDUCER	
4	-----	-	COVER, side (Serviced in Assy. only)	
			4 905274 CAPSCREW, 1/2NC x 3/4	
			4 904208 LOCKWASHER, 1/2	
5	233244	1	GASKET	
6	247990	1	PLUNGER, relief valve	
7	246324	1	SPRING, compression (Inside)	
8	246325	1	SPRING, compression (Outside)	
9	246326	*	SHIM (As required *)	
10	-----	1	BODY, relief valve (Serviced in Assy. only)	
11	927974	2	O-RING (Replaces 226687)	
12	246320	1	SEAL	
13	246321	1	PLATE, seal	
14	246318	1	MANIFOLD ASSY. (Incl. TUBE SEATS)	
15	246319	2	CAPSCREW	
			8 910815 WIRE, 18 ga.	
16	227530	1	SEAT, tube, 5/8" (Incl. in item 14)	
17	227343	2	SEAT, tube, 1/2" (Incl. in item 14)	

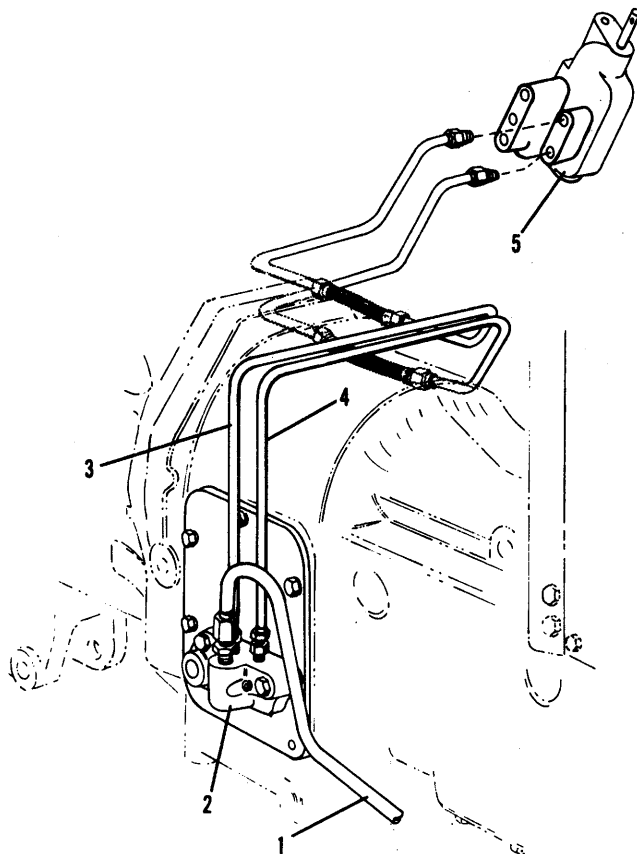
**SHUTTLE CLUTCH MANIFOLD LINES**

ITEM	PART NUMBER	QTY.	DESCRIPTION	ASSEMBLY OR PACKAGE NO.
1	-----	1	See OIL COOLER & LINES Group	
2	-----	1	See SHUTTLE CLUTCH SUMP & MANIFOLD LINES Group	
3	252838	1	TUBE ASSY., shuttle clutch valve to clutch	
4	252839	1	TUBE ASSY., shuttle clutch valve to clutch	
5	-----	1	See SHUTTLE CLUTCH VALVE Group for Components	

MANIFOLD & RELIEF VALVE



SHUTTLE CLUTCH MANIFOLD LINES



**UNIVERSAL JOINT ASSEMBLY**

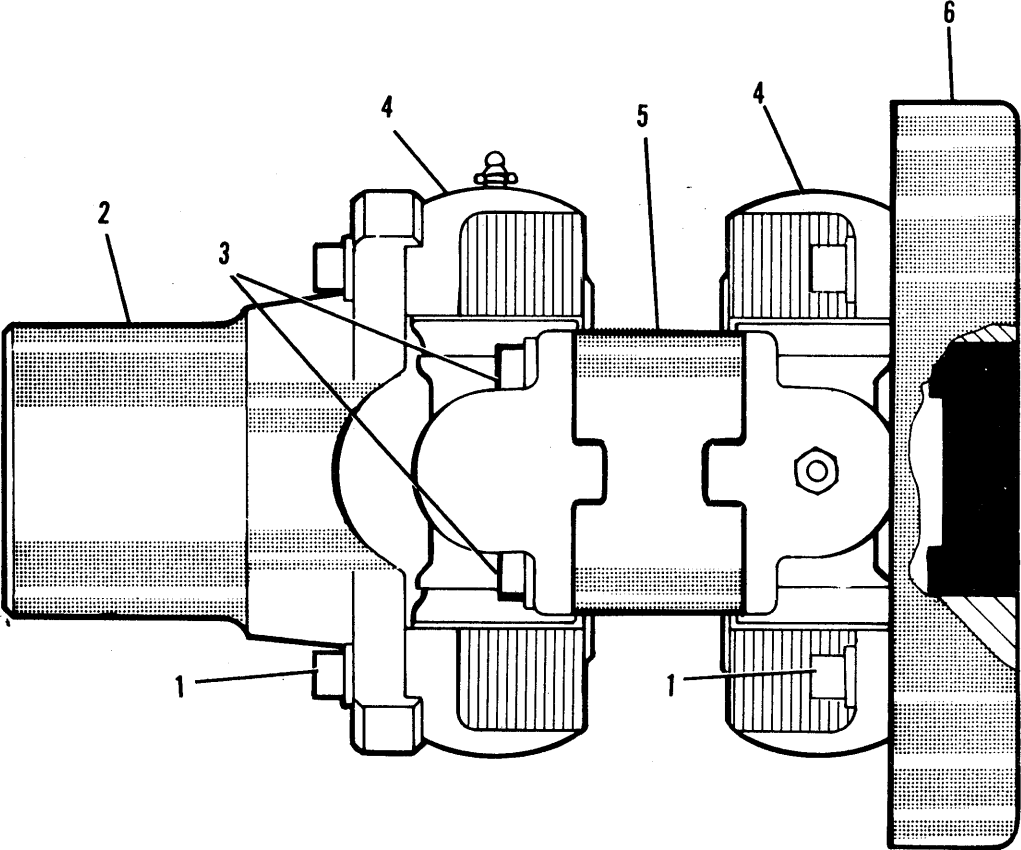
ITEM	PART NUMBER	QTY.	DESCRIPTION	ASSEMBLY OR PACKAGE NO.
-	2020155	1	JOINT ASSY., universal (Incl. All items in this group)	
1	<b>0645797-2</b>	8	SCREW, 12 pt ( <b>Replaces 2020160</b> )	
2	2020159	1	YOKE, spline hole fitting	
3	2020219	4	SCREW, 12 pt	
4	2020157	2	SPIDER & BEARING ASSY. 1 914465 FITTING, lube, 1/8	
5	2020158	1	PLATE, coupling	
6	2020156	1	FLANGE, fitting yoke	

ITEM	PART NUMBER	QTY.	DESCRIPTION	ASSEMBLY OR PACKAGE NO.
-	-----	1	JOINT ASSY., universal	
1	253089	8	SCREW, 12 pt.	
2	253094	1	YOKE, spline hole fitting	
3	<b>0645797-2</b>	4	SCREW, 12 pt ( <b>Replaces 253090</b> )	
4	<b>2020157</b>	2	SPIDER & BEARING ASSY ( <b>Replaces 253091</b> ) 1 914465 FITTING, lube 1/8	
5	253093	1	PLATE, coupling	
6	253092	1	FLANGE, fitting yoke	

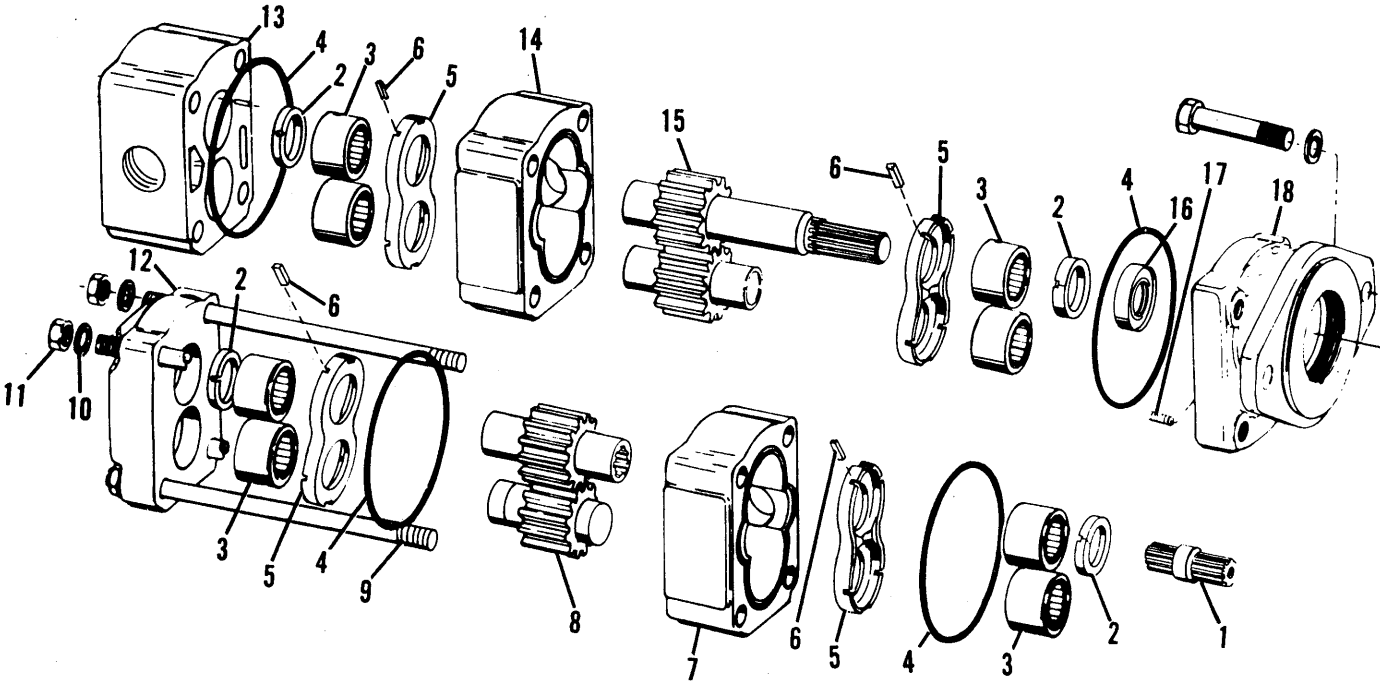
**FRONT DUAL PUMP**

ITEM	PART NUMBER	QTY.	DESCRIPTION	ASSEMBLY OR PACKAGE NO.
-	2020135	1	PUMP ASSY., dual (Incl. All items in this group)	
		2	920328 CAPSCREW, 1/2NC x 1-1/2	
		2	916966 LOCKWASHER, 1/2	
1	2020145	1	SHAFT	
2	2020150	4	SEAL, ring . . . . .	2020149
3	<b>3045977</b>	8	BEARING, roller ( <b>Replaces 2020137</b> )	
4	2020154	4	SEAL, gasket . . . . .	2020149
5	2020152	4	PLATE, thrust . . . . .	2020149
6	<b>3046521</b>	2	SEAL, pocket strip ( <b>Replaces 2020153</b> ) . . . . .	2020149
7	2020143	1	HOUSING, gear	
8	2020144	1	GEAR SET	
9	2020146	4	STUD	
10	2020147	4	WASHER	
11	2020148	4	NUTS	
12	2020140	1	COVER, port end	
13	2020138	1	CARRIER, bearing	
14	2020141	1	HOUSING, gear	
15	2020142	1	SHAFT SET, gear	
16	<b>3045975</b>	1	SEAL, double lip ( <b>Replaces 2020151</b> ) . . . . .	2020149
17	<b>1006665-2</b>	1	SETSCREW ( <b>Replaces 2020139</b> )	
18	2020136	1	COVER, end shaft	
--	2020149	1	KIT, seal repair (Incl. Items 2, 4, 5, 6 & 16)	

UNIVERSAL JOINT ASSEMBLY



FRONT DUAL PUMP



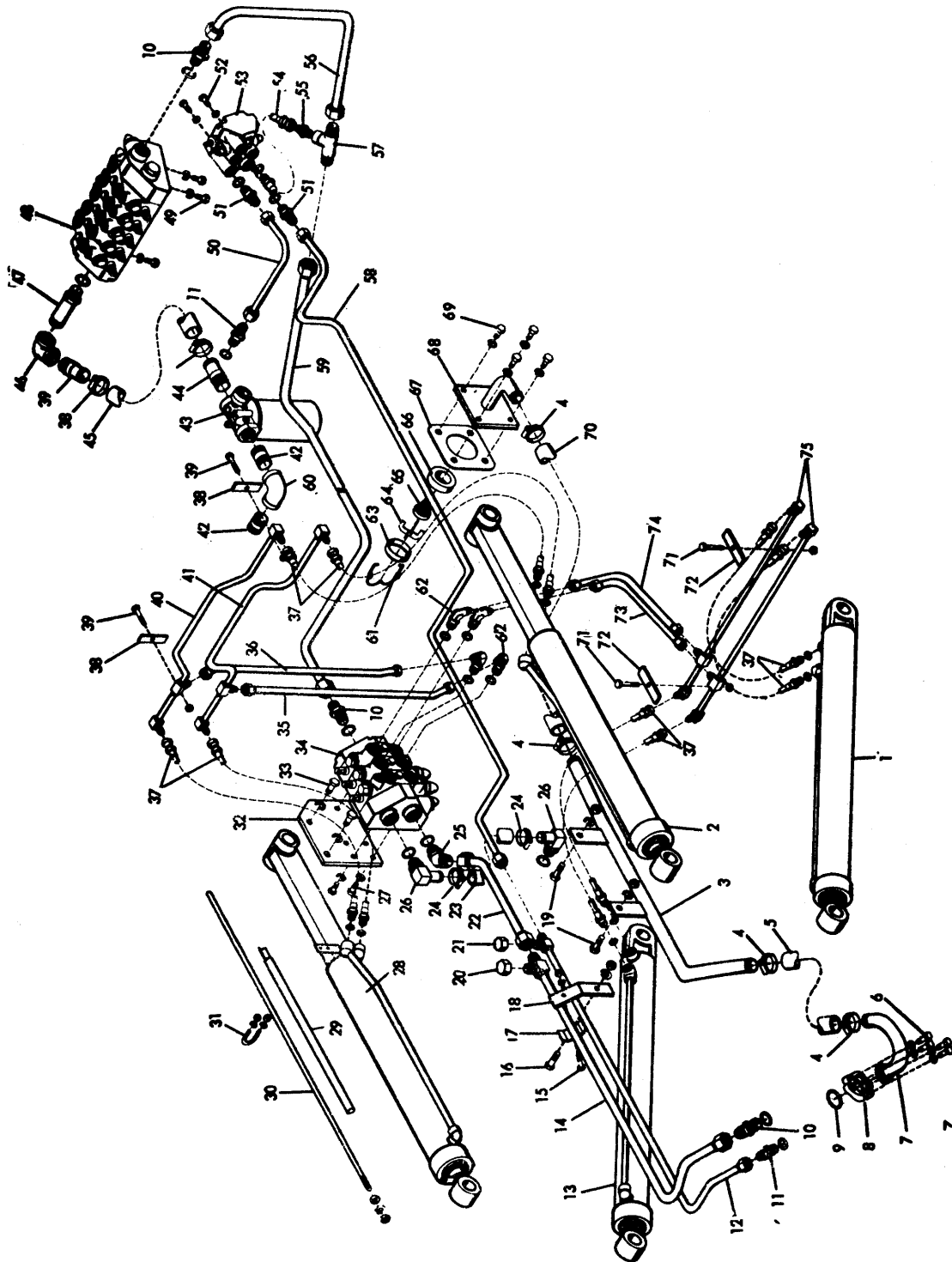


## LOADER &amp; BACKHOE HYDRAULICS

ASSEMBLY OF  
PACKAGE NO.

ITEM	PART NUMBER	QTY.	DESCRIPTION
1	-----	1	CYLINDER ASSY., lift, left (See Cyl. Assy. for Components)
2	-----	1	CYLINDER ASSY., bucket, left (See Cyl. Assy. for Components)
3	2019403	1	TUBE, suction assy.
4	921913	6	CLAMP, hose
5	2019593	1	HOSE, 1-1/2 return x 8
6	915987	4	CAPSCREW, 1/2 NC x 1-1/2, gr. 5 1 904208 WASHER, 1/2" spring
7	2019404	1	TUBE, suction pump
8	921118	2	FLANGE, split half
9	923578	1	O-RING, 1-7/8 ID x 2-1/8 OD
10	921228	3	CONNECTOR, 1-5/16"-12 st. boss (Incl. O-RING) 1 921214 O-RING, 1" tube
11	921217	2	CONNECTOR, 1-1/16"-12 st. boss (Incl. O-RING) 1 921206 O-RING, 3/4" tube
12	2018954	1	TUBE, 3/4" pressure
13	-----	1	CYLINDER ASSY., lift, right (See Cyl. Assy. for Components)
14	2018949	1	TUBE, 1" pressure
15	903634	1	CAPSCREW, 3/8 NC x 2, gr. 2 1 904206 WASHER, 3/8" spring 1 910324 NUT, 3/8 NC
16	903792	1	CAPSCREW, 5/8 NC x 1-3/4, gr. 2 1 904209 WASHER, 5/8, spring 1 910308 NUT, 5/8 NC
17	2018793	1	CLAMP, tube
18	2018962	1	BAR, tube bracket
19	903792	2	CAPSCREW, 5/8 NC x 1-3/4, gr. 2 1 904209 WASHER, 5/8" spring 1 910308 NUT, 5/8 NC
20	922195	1	CAP, 1-5/16"-12
21	921244	1	CAP, 1-1/16"-12
22	2019561	1	TUBE, 1" pressure short
	2019560	1	TUBE, 1" pressure short (Req. for optional valve)
23	2019596	1	HOSE, 1-1/4" return x 9"
24	921912	2	CLAMP, hose
25	921215	1	ELBOW, 1-5/16"-12, 45° adjustable (Incl. O-ring) 1 921214 O-RING, 1" tube
26	2019597	2	INSERT, beaded, 1-5/16"-12 x 1-1/4" tube (Incl. O-RING) 1 921214 O-RING, 1" tube
27	903637	3	CAPSCREW, 1/2 NC x 1, gr. 2 1 904208 WASHER, 1/2" spring
28	-----	1	CYLINDER ASSY., bucket, right (See Cyl. Assy. for Components)
29	2019820	1	TUBE, indicator
30	2019819	1	ROD, indicator 2 910325 NUT, 1/2 NC 1 904208 WASHER, 1/2" spring
31	2019821	1	"U" BOLT 2 904205 WASHER, 5/16, spring 2 910323 NUT, 5/16 NC
32	2019610	1	PLATE, valve mount
33	903643	2	CAPSCREW, 5/8 NC x 1-1/4, gr. 2 1 904209 WASHER, 5/8, spring
34	-----	1	VALVE, control, loader (See Loader Valve Assy. for Components)
35	2019565	1	TUBE, bucket vertical bottom port
36	2019564	1	TUBE, bucket vertical top port
37	2017642	8	HOSE ASSY., 1/2"-2 Wire (Incl. O-RING) 1 921205 O-RING, 5/8 tube
38	2018810	2	BAR, clamp

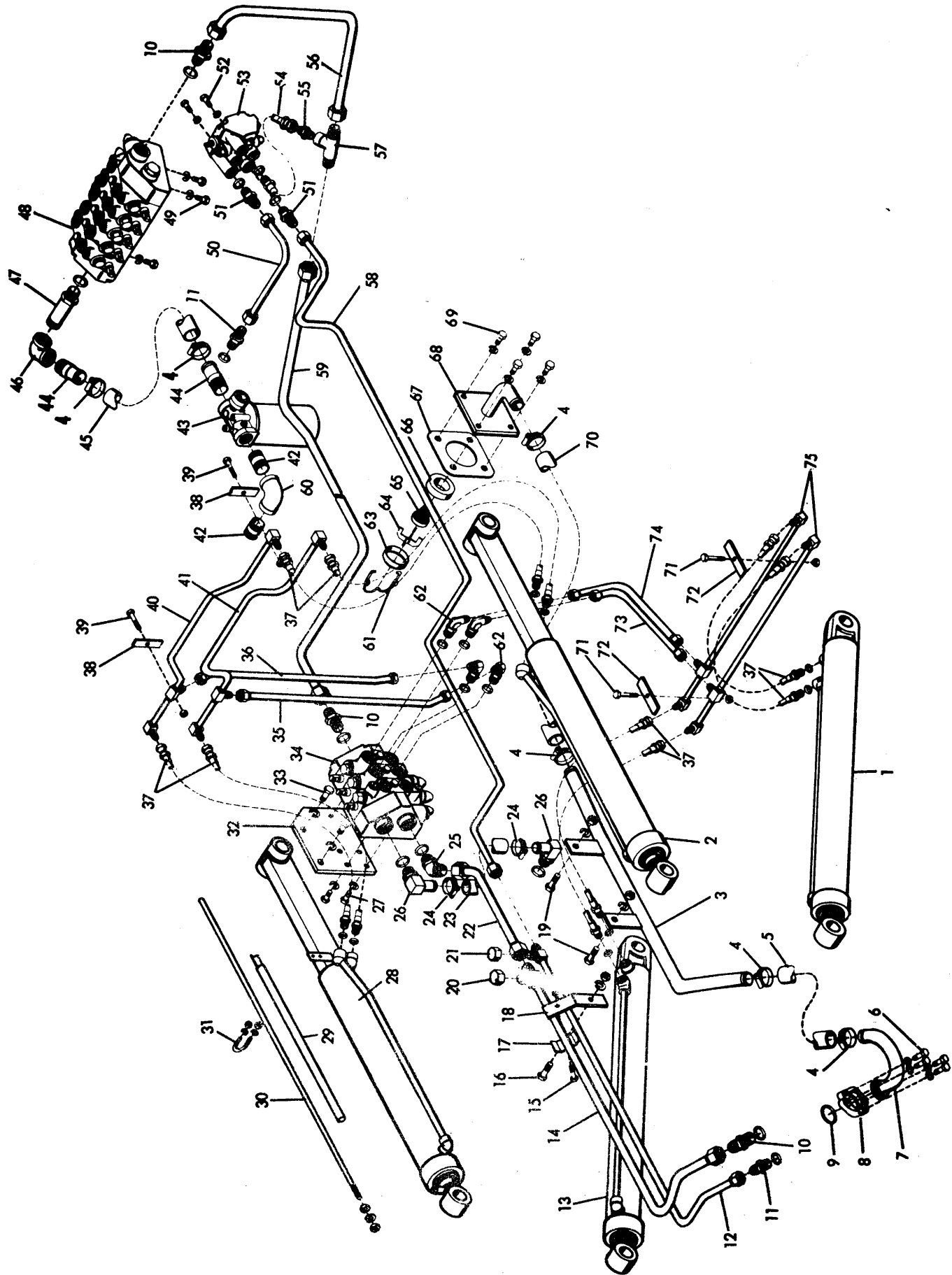
Continued



## LOADER &amp; BACKHOE HYDRAULICS (Continued)

ITEM	PART NUMBER	QTY.	DESCRIPTION	ASSEMBLY OR PACKAGE NO.
39	913619	2	CAPSCREW, 3/8 NF x 2-1/4, gr. 2	
			1 914929 NUT, 3/8 NF, self-lock	
40	2019557	1	TUBE, bucket cross top	
41	2019556	1	TUBE, bucket cross bottom	
42	919191	2	NIPPLE, 1-1/4 NPT x 2"	
43	1006432	1	FILTER (See LOADER & BACKHOE HYD. FILTER for Components)(Replaces 2016417)	
44	2019400	2	CONNECTOR, return hose	
45	2019595	1	HOSE, 1-1/2" return x 51"	
46	901682	1	ELBOW, 1-1/4" NPT x 90°	
47	2018800	1	PORT, valve return fitting (Incl. O-RING)	
			1 923850 O-RING,	
48	-----	1	VALVE, control, backhoe (See Backhoe Valve Assy. for Components)	
49	903637	3	CAPSCREW, 1/2 NC x 1, gr. 2	
			1 904208 WASHER, 1/2, spring	
50	2018852	1	TUBE, 3/4" return	
51	922981	2	CONNECTOR, 7/8"-14 to 1-1/16"-12 st. boss (Incl. O-RING)	
			1 921205 O-RING, 5/8 tube	
52	912187	2	CAPSCREW, 7/16 NC x 1, gr. 2	
			1 904207 WASHER, 7/16, spring	
53	-----	1	VALVE, control, swing (See Swing Valve Assv. for Components)	
54	2019855	1	HOSE ASSY., 1/2"-2 Wire x 24" (Incl. O-RING)	
			1 921205 O-RING, 5/8 tube	
55	2019891	1	CONNECTOR, 1" NPT to 1-1/16"-12	
56	2019562	1	TUBE, 1" pressure	
57	921258	1	TEE, 1" NPT-FM x 1-5/16"-12	
58	2019559	1	TUBE, 3/4" pressure	
59	2019563	1	TUBE, 1" pressure	
60	901682	1	ELBOW, 1-1/4" NPT x 90°	
61	3013848	1	BAIL	
62	921203	4	ELBOW, 1-1/16"-12 x 90° adjustable (Incl. O-RING)	
			1 921206 O-RING, 3/4" tube	
63	3013852	1	BAFFLE	
64	3013847	1	SUPPORT	
65	3010653	1	STRAINER	
66	3013850	1	MAGNET	
67	2019641	1	GASKET, cover	
68	2019291	1	COVER, strainer suction	
69	903637	4	CAPSCREW, 1/2 NC x 1", gr. 2	
			1 904208 WASHER, 1/2, spring	
70	2019594	1	HOSE, 1-1/2" suction x 22"	
71	913611	2	CAPSCREW, 3/8NF x 2-1/2, gr. 2	
			1 914929 NUT, 3/8NF self-lock	
72	2018744	2	BAR, clamp	
73	2019567	1	TUBE, lift bottom port	
74	2019566	1	TUBE, lift top port	
75	2019558	2	TUBE, lift cross	

LOADER & BACKHOE HYDRAULICS (Continued)



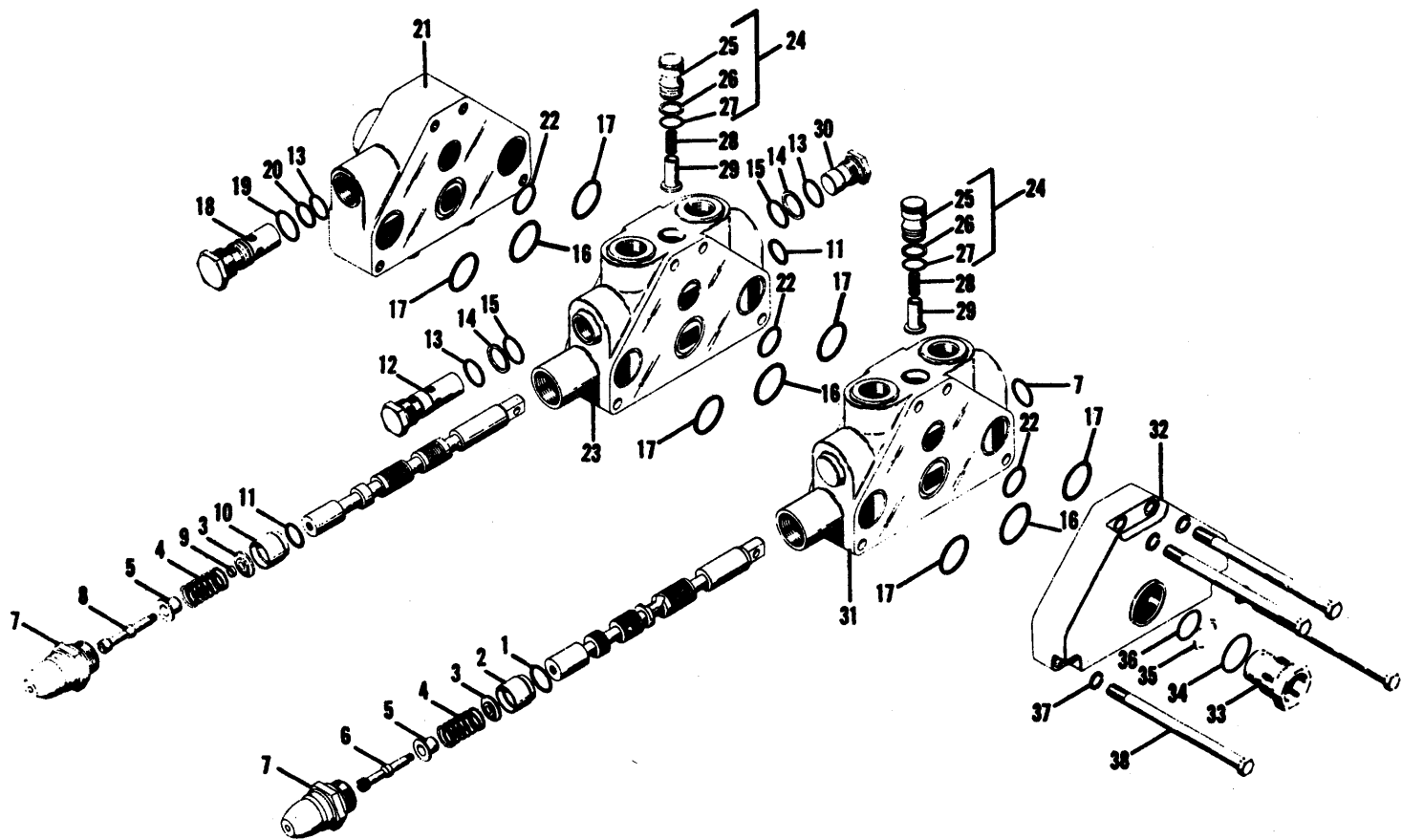
---

**LOADER CONTROL VALVE**

ITEM	PART NUMBER	QTY.	DESCRIPTION
-	-----	1	VALVE ASSY., loader
1	2020130	2	O-RING, 1" ID x 3/32" W. 50 Duro
2	2020128	1	BUSHING
3	2020100	2	WASHER
4	2014828	2	SPRING
5	2015543	2	WASHER
6	2020129	1	SCREW
7	2020099	2	CAP ASSY.
8	2020114	1	SCREW
9	2020101	1	SPACER
10	2020097	1	BUSHING
11	924774	2	O-RING, 7/8" ID x 3/32" W. 50 Duro (Replaces 2014917)
12	2014883	1	VALVE ASSY., relief 1500 P. S.I.
13	923566	3	O-RING, 7/8" ID x 3/32" W. 70 Duro
14	926612	2	WASHER, back-up (Replaces 2014920)
15	923988	2	O-RING, 15/16" ID x 3/32" W. 70 Duro
16	923844	3	O-RING, 1-11/16" ID x 3/32" W. 90 Duro
17	923570	6	O-RING, 1-9/16" ID x 3/32" W. 70 Duro
18	2020088	1	VALVE ASSY., relief 2250 P. S.I.
19	923947	1	O-RING, 1-1/16" ID x 3/32" W. 70 Duro
20	926611	1	WASHER, back-up (Replaces 2017977)
21	2020086	1	PLATE, port
22	2020091	3	O-RING, 1-1/16" ID x 3/32" W. 90 Duro
23	2020083	1	SECTION, valve regen.
24	2020107	2	CHECK ASSY. lift (Incl. items 25, 26 & 27)
25	2020108	2	CHECK, lift
26	2020109	2	WASHER, back-up
27	923946	2	O-RING, 13/16" ID x 1/16" W. 70 Duro
28	2020096	2	SPRING
29	2020095	2	PLUNGER
30	2015527	1	PLUG ASSY.
31	2020125	1	SECTION, valve float
32	2020087	1	PLATE, end
33	2020126	1	PLUG ASSY., P. S.I. Byd.
34	923850	1	O-RING, 1-1/2" ID x 3/32" W. 70 Duro
35	2020131	1	WASHER, back-up
36	924416	1	O-RING, 1-1/8" ID x 3/32" W. 70 Duro
37	904207	4	WASHER, 7/16" lock
38	2020127	4	BOLT, 7/16" UNC x 6-1/8" lg. tie
--	2020102	1	REPAIR KIT, port plate
--	2020161	1	REPAIR KIT, between sections
--	2020132	1	REPAIR KIT, seal for 2020125
--	2020133	1	REPAIR KIT, seal for 2020083
--	2020133	1	REPAIR KIT, end plate
--	2020134	1	REPAIR KIT, major seal

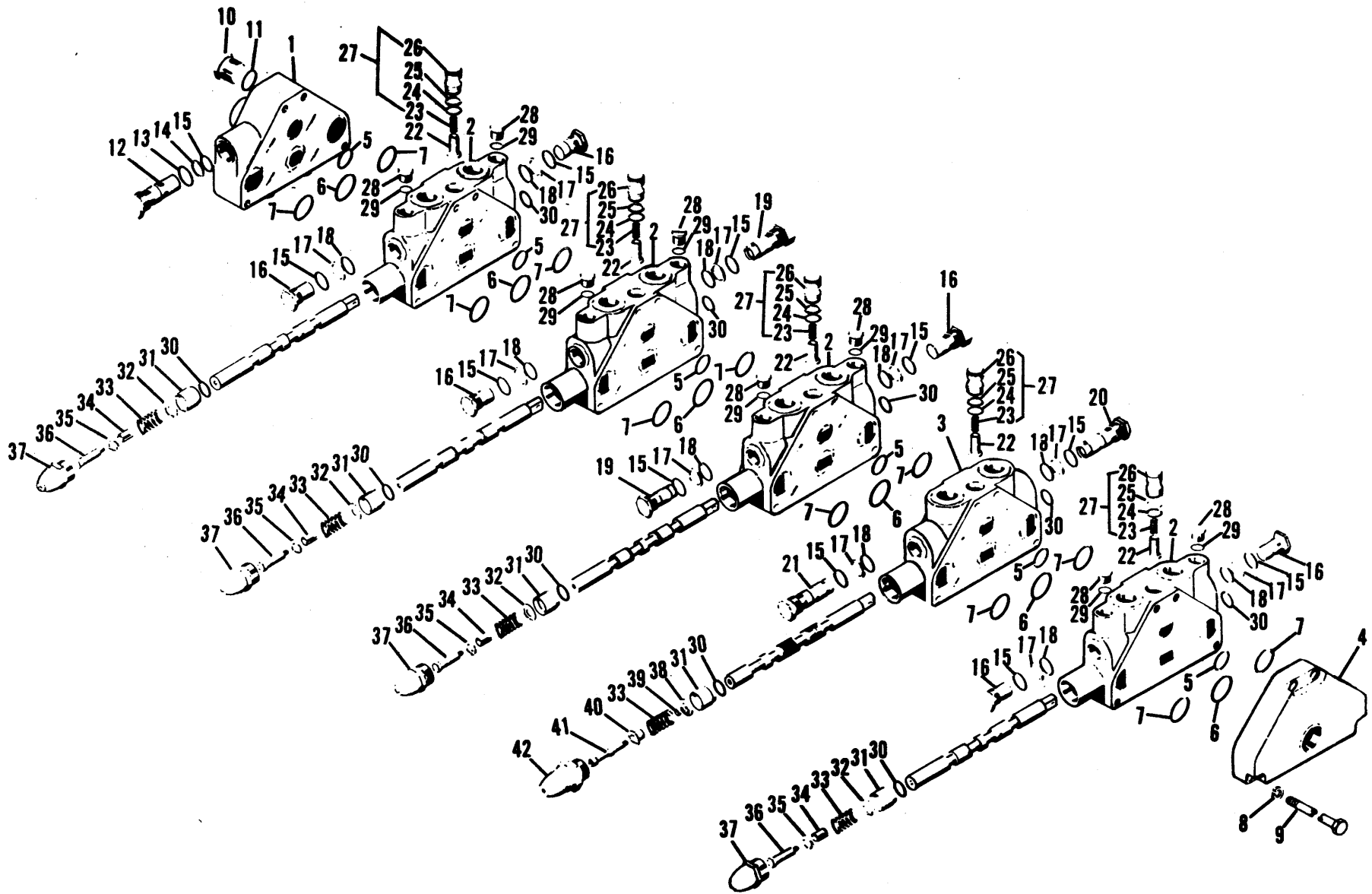
 ASSEMBLY OR  
 PACKAGE NO.

LOADER CONTROL VALVE



## BACKHOE CONTROL VALVE

ITEM	PART NUMBER	QTY.	DESCRIPTION	ASSEMBLY OR PACKAGE NO.
-	-----	1	VALVE ASSY., backhoe control	
1	2020086	1	SECTION, port plate	
2	2020084	4	SECTION, stabilizers, dipper and bucket	
3	2020083	1	SECTION, boom	
4	2020087	1	SECTION, end plate	
5	2020091	6	O-RING, 1-1/16" ID x 3/32" W. 90 Duro	
6	923844	6	O-RING, 1-11/16" ID x 3/32" W. 90 Duro	
7	923570	12	O-RING, 1-9/16" ID x 3/32" W. 70 Duro	
8	904207	4	WASHER, 7/16" spring lock	
9	2016341	4	BOLT, 7/16" NC x 12-3/4" lg.	
10	921216	1	PLUG, assy	
11	921214	1	O-RING, 1-11/64" ID x 1/8" W. 90 Duro	
12	2020088	1	VALVE ASSY., relief 2250 P.S.I.	
13	923947	1	O-RING, 1-1/16" ID x 3/32" W. 70 Duro	
14	926611	1	WASHER, back-up (Replaces 2017977)	
15	923566	11	O-RING, 7/8" ID x 3/32" W. 70 Duro	
16	2015527	6	PLUG ASSY.	
17	926612	10	WASHER, back-up (Replaces 2014920)	
18	923988	10	O-RING, 15/16" ID x 3/32" W. 70 Duro	
19	2022017	2	VALVE ASSY., relief 2500 P.S.I. (Replaces 2020090)	
20	2018314	1	VALVE ASSY., relief 3000 P.S.I.	
21	2018315	1	VALVE ASSY., relief 2000 P.S.I.	
22	2020095	5	PLUNGER	
23	2020096	5	SPRING	
24	923946	5	O-RING, 13/16" ID x 1/16" W. 70 Duro	
25	2020109	5	WASHER, back-up	
26	2020108	5	CHECK, lift	
27	2020107	5	CHECK ASSY., lift (Incl. Items 24, 25 & 26)	
28	2019182	8	PLUG ASSY.	
29	923645	8	O-RING, 5/8" ID x 3/32" W. 70 Duro	
30	924774	10	O-RING (Replaces 2014917)	
31	2020097	5	BUSHING	
32	2020098	4	WASHER	
33	2014828	5	SPRING	
34	2020092	4	SLEEVE	
35	2017380	4	WASHER	
36	2020094	4	SCREW	
37	2020093	4	CAP ASSY.	
38	2020100	1	WASHER	
39	2020101	1	SPACER	
40	2015543	1	WASHER	
41	2020114	1	SCREW	
42	2020099	1	CAP ASSY.	
--	2020102	1	REPAIR KIT, port plate	
--	2020103	1	REPAIR KIT, seal for 2020083	
--	2020104	4	REPAIR KIT, seal for 2020084	
--	2020105	1	REPAIR KIT, between sections	
--	2020106	1	REPAIR KIT, major seal	
--	923663	8	O-RING, (Not Illustrated) (Use Between Sections)	





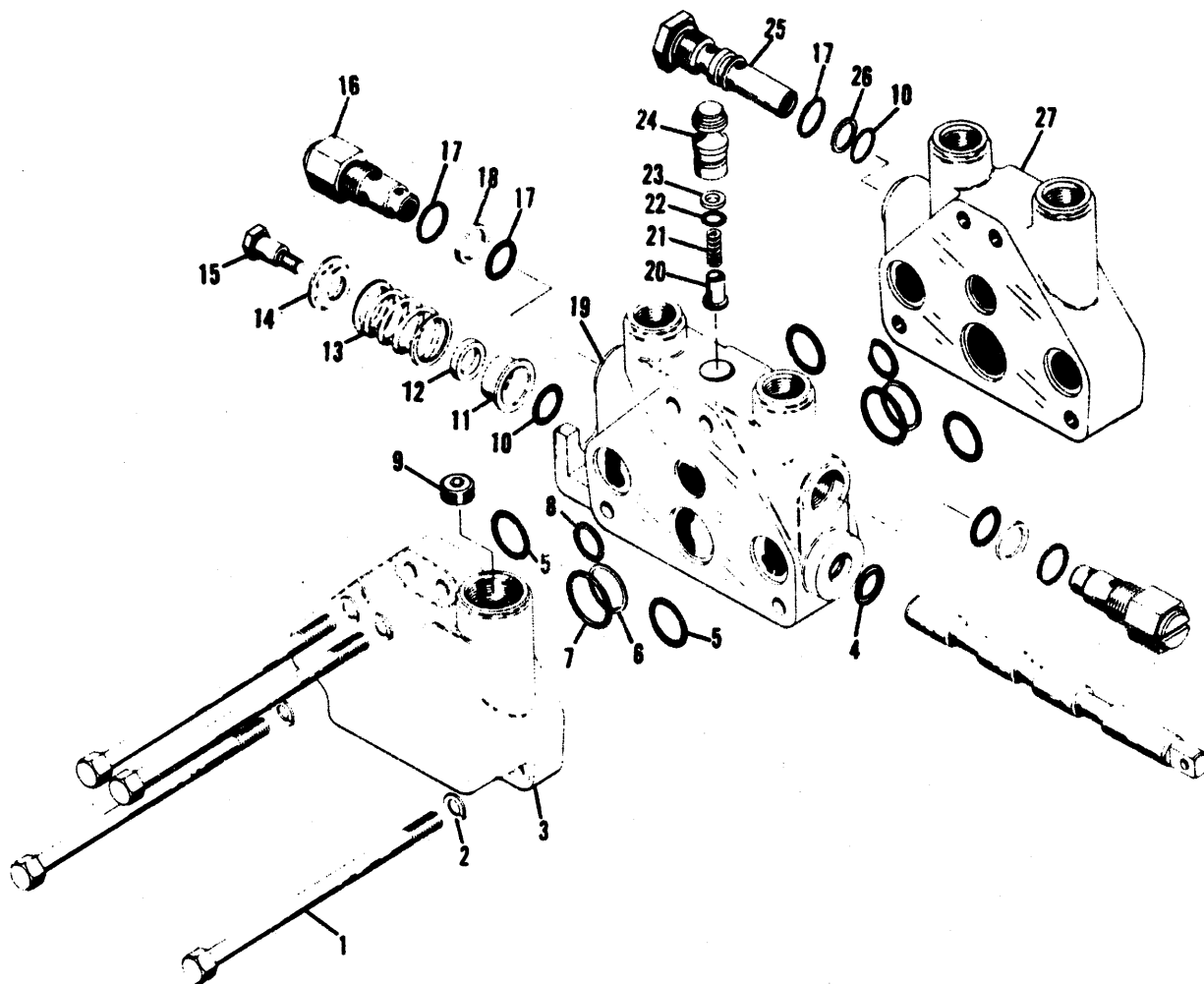
**BACKHOE SWING CONTROL VALVE**

ITEM	PART NUMBER	QTY.	DESCRIPTION	ASSEMBLY OR PACKAGE NO.
-	-----	1	VALVE ASSY., swing control	
1	2020115	4	BOLT, 3/8NC x 2-7/8, tie	
2	904206	4	WASHER, 3/8, spring lock	
3	2017382	1	PLATE, end	
4	4997192	1	O-RING, 5/8" ID x 1/8" W, 70 Duro (Replaces 2017978)	
5	2017531	4	O-RING, 15/16" ID x 3/32" W. 90 Duro.	
6	2017471	2	WASHER, misc.	
7	2017532	2	O-RING, 1-3/16" ID x 3/32" W. 90 Duro	
8	2017530	2	O-RING, 11/16" ID x 3/32" W. 90 Duro	
9	918887	1	PLUG, 3/8 NPT, pipe	
10	923645	2	O-RING, 5/8" ID x 3/32" W. 70 Duro	
11	4996402	1	WASHER, deep (Replaces 2017025)	
12	2017380	1	WASHER	
13	2018926	1	SPRING	
14	344018	1	WASHER, shallow (Replaces 2016923)	
15	2019055	1	SCREW	
16	2018418	2	VALVE ASSY., relief 3000 P. S. I.	
17	923719	5	O-RING, 3/4" ID x 3/32" W. 70 Duro	
18	2017396	2	WASHER, back-up	
19	2020250	1	SECTION, swing valve	
20	4996403	1	PLUNGER (Replaces 2016925)	
21	4996404	1	SPRING (Replaces 2016926)	
22	924003	1	O-RING, 9/16" ID x 1/8" W. 70 Duro	
23	2017379	1	WASHER, back-up	
24	2017378	1	CHECK, lift	
25	2018417	1	VALVE ASSY., relief 2250 P. S. I.	
26	2015539	1	WASHER, back-up	
27	2017381	1	PLATE, port	
--	2018013	1	REPAIR KIT, port plate	
--	2020116	1	REPAIR KIT, between sections	
--	2017624	1	REPAIR KIT, seal for 2020250 (Replaces 2020251)	
--	2020117	1	REPAIR KIT, major seal	

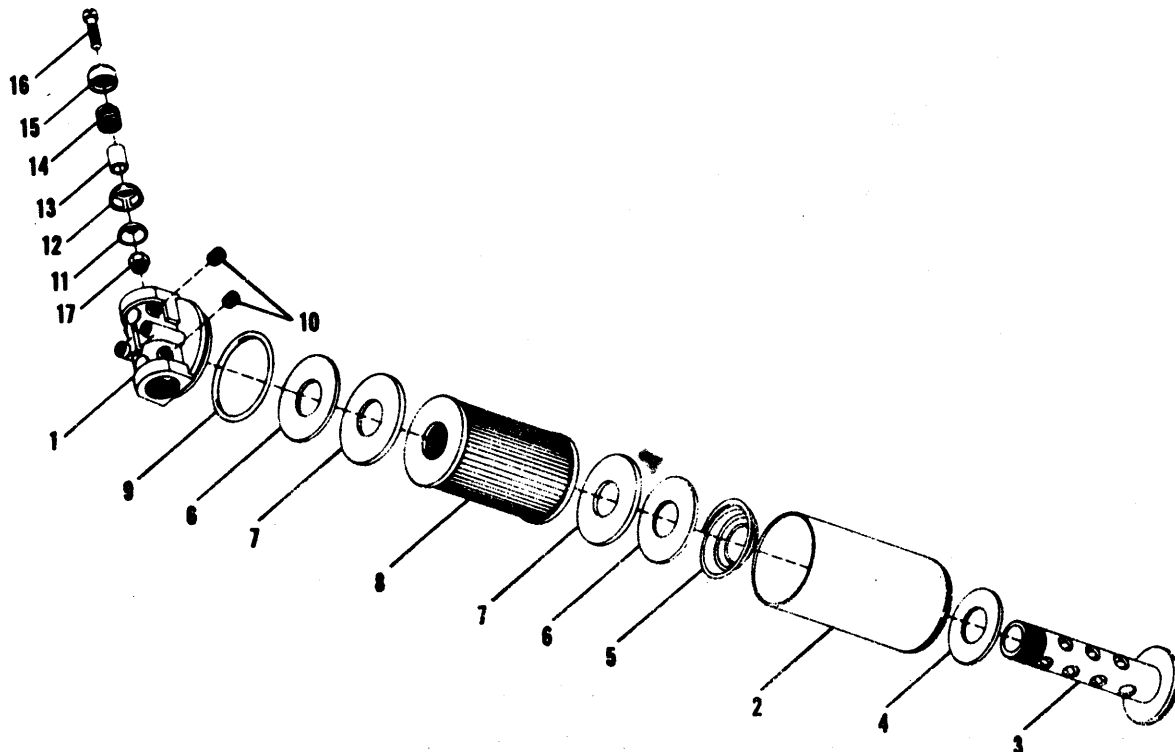
**FILTER ASSEMBLY**

ITEM	PART NUMBER	QTY	DESCRIPTION	ASSEMBLY OR PACKAGE NO.
-	1006432	1	FILTER ASSEMBLY, hydraulic oil (Incl. Item 1 thru 17)	
1	-----	1	HEAD, filter	
2	-----	1	COVER, filter	
3	2016767	1	CORE, filter	
4	2016768	1	SEAL	
5	2016769	1	SPRING	
6	2016770	2	WASHER, flat	
7	2016771	2	GASKET	
8	1007060	1	ELEMENT, filter	
9	924772	1	O-RING, 4-3/8" ID x 3/16" W.	
10	912397	2	SET SCREW, 3/8" UNC x 5/16"	
11	2016774	1	VALVE, by-pass	
12	2016775	1	GUIDE, valve	
13	2016776	1	SLEEVE	
14	2016777	1	SPRING	
15	2016778	1	STOP, spring	
16	2016779	1	SCREW, machining	
17	2016780	1	NUT, self-locking	

BACKHOE SWING CONTROL VALVE



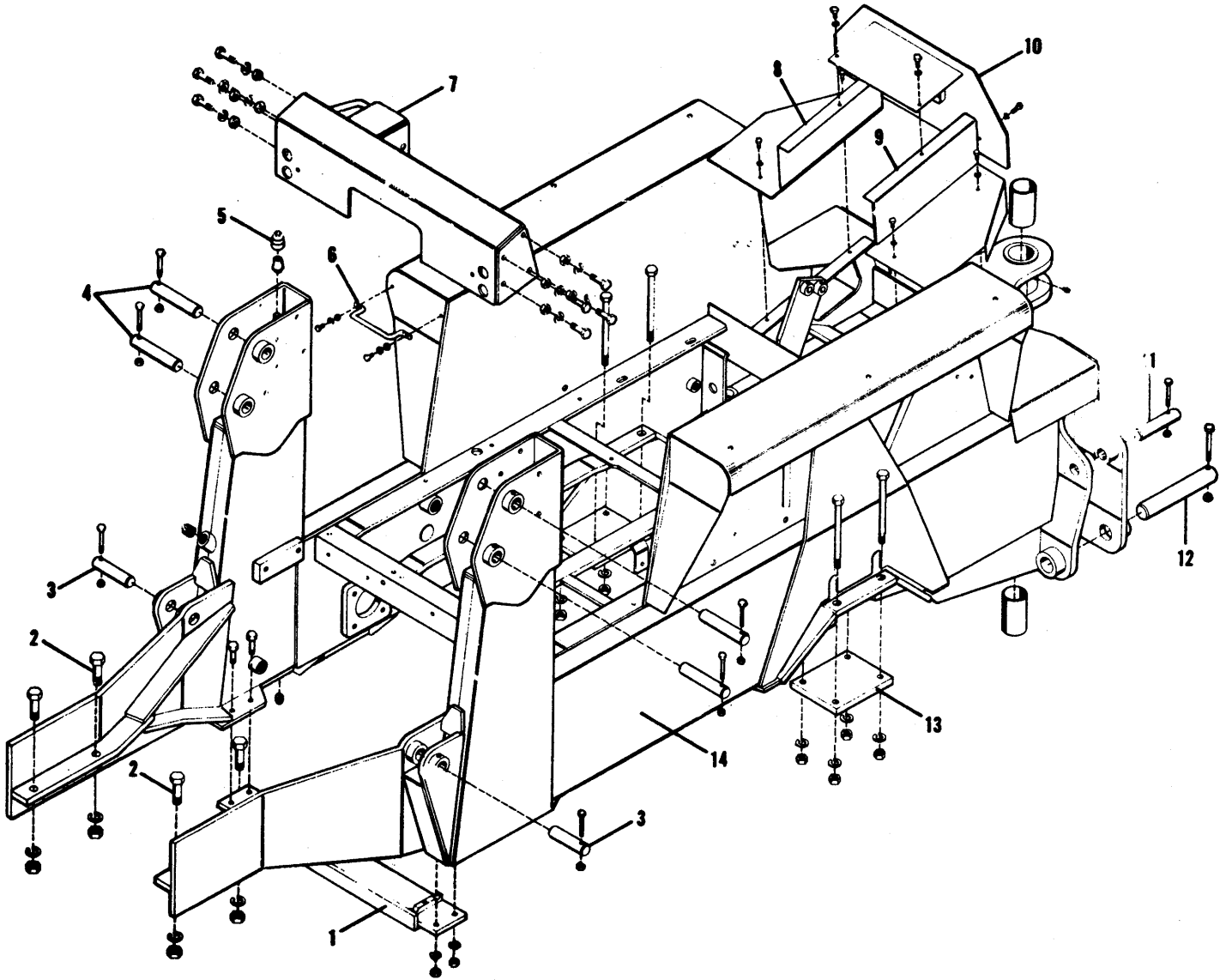
FILTER ASSEMBLY



## LOADER-BACKHOE MAINFRAME

ITEM	PART NUMBER	QTY.	DESCRIPTION	ASSEMBLY OR PACKAGE NO.
1	2019520	1	TIE ASSY., lower	
		4	916021 CAPSCREW, 5/8 UNF x 2, gr. 5	
		4	904209 WASHER, 5/8, lock	
		4	910124 NUT, 5/8 UNF	
2	916374	4	CAPSCREW, 1" UNF x 3, gr. 5	
		1	910916 WASHER, 1", lock	
		1	910174 NUT, 1" UNF	
3	2019606	2	PIN, lift cylinder	
		1	920613 CAPSCREW, 3/8 UNF x 3, gr. 5	
		1	914929 NUT, 3/8 UNF, self-lock	
4	2018726	4	PIN, lift arm and bucket cylinder	
		1	920613 CAPSCREW, 3/8 UNF x 3, gr. 5	
		1	914929 NUT, 3/8 UNF self-lock	
5	2017702	1	BREATHER	
6	243504	1	HANDLE	
		2	917397 CAPSCREW, 5/16 UNC x 3/4, gr.2	
		2	920426 WASHER, 5/16, lock	
		2	917372 NUT, 5/16 UNC	
7	2018724	1	TIE ASSY., top	
		8	916021 CAPSCREW, 5/8 UNF x 2, gr. 5	
		8	904209 WASHER, 5/8, lock	
		8	910124 NUT, 5/8 UNF	
8	2019623	1	FLOOR BOARD ASSY.	
		2	903625 CAPSCREW, 5/16 UNC x 3/4, gr. 2	
		2	904205 WASHER, 5/16, lock	
9	2019622	1	FLOOR BOARD ASSY.	
		2	903625 CAPSCREW, 5/16 UNC x 3/4, gr. 2	
		2	904205 WASHER, 5/16, lock	
10	2019625	1	PANEL ASSY., front	
		4	903630 CAPSCREW, 3/8 UNC x 1, gr. 2	
		4	904206 WASHER, 3/8, lock	
11	2018751	2	PIN, stabilizer cylinder rod end (Under S/N 5198)	
	2018753	2	PIN, stabilizer cyl. (S/N 5198 & Up)	
		1	920613 CAPSCREW, 3/8 UNF x 3, gr. 5	
		1	914929 NUT, 3/8 UNF, self-lock	
12	2017942	2	PIN, stabilizer	
		1	919236 CAPSCREW, 1/2 UNF x 4, gr. 5	
		1	915315 NUT, 1/2 UNF, self-lock	
13	2019521	2	PLATE, rear axle	
		4	1001542 CAPSCREW, 3/4 UNF x 9, gr. 5 (Replaces 916348)	
		4	904369 WASHER, 3/4, lock	
		4	910175 NUT, 3/4 UNF	
14	2019701	1	MAINFRAME ASSY.	
		2	2018897 BUSHINGS, pivot swing	
		1	917772 COUPLING, 1/2 to 1/4 NPT, reducing	
		1	905263 PLUG, 1 NPT, sq. hd.	
		1	901652 PLUG, 1/4 NPT, sq. hd.	
		1	2017752 PLUG, 3/4 NPT, magnetic	
		2	914465 FITTING, grease, 1/8 st.	
--	924455	1	DECAL, trademark combined (Replaces 924305)	
--	1003545	2	DECAL, 918 (Replaces 2019817)	
--	2020165	1	DECAL, backhoe operator instruction	
--	2019971	1	DECAL, loader operator instructions	
--	247493	1	TRANSFER, control pattern	
--	-----	1	TRANSFER, caution . . . . . 247616	
--	2020185	2	DECAL, striping (Tractor front)	
--	2019700	1	TANK SUPPORT, fuel front (Not Illust.)	
--	2019519	1	TANK SUPPORT, fuel rear (Not Illust.)	

LOADER-BACKHOE MAINFRAME



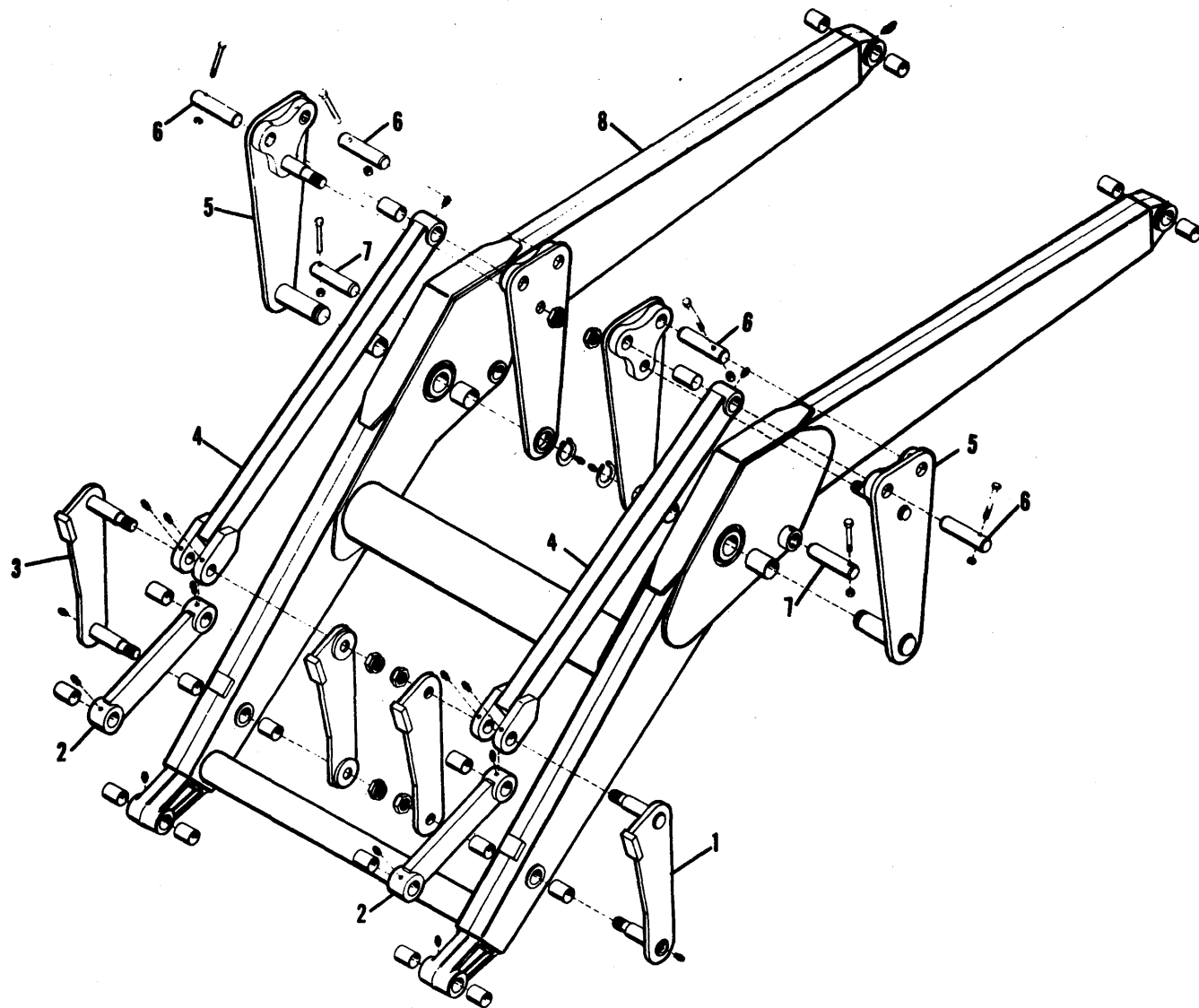
## LOADER LIFT ARMS

ITEM	PART NUMBER	QTY.	DESCRIPTION	ASSEMBLY OR PACKAGE NO.
1	2019572	1	LINK, guide left	
			2 2019901 NUT, 1-1/4 NF	
			1 914465 FITTING, grease, 1/8 NPT, st.	
2	2019577	2	LINK ASSY., bucket	
			2 2018402 BUSHING, 1-1/2 x 1-15/16	
			2 914465 FITTING, grease, 1/8 NPT, st.	
3	2019573	1	LINK, guide, right	
			2 2019901 NUT, 1-1/4 NF	
			1 914465 FITTING, grease, 1/8 NPT, st.	
4	2019578	2	LINK, tilt assy.	
			1 2018393 BUSHING, 1-1/2 x 2-1/2	
			3 914465 FITTING, grease, 1/8 NPT, st.	
5	2019579	2	LEVER ASSY., tilt	
			1 2019901 NUT, 1-1/4 NF	
			1 2019582 RING, snap	
			1 914465 FITTING, grease, 1/8 NPT, st.	
6	2019607	4	PIN, lever assy., tilt	
			1 916275 CAPSCREW, 3/8 NF x 3-3/4, gr. 5	
			1 914929 NUT, 3/8 NF, self-lock	
7	2019608	2	PIN, lift cylinder rod	
			1 920613 CAPSCREW, 3/8 NF x 3	
			1 914929 NUT, 3/8 NF, self-lock	
8	2018719	1	ARM ASSY., lift	
			12 2018402 BUSHINGS, 1-1/2 x 1-15/16	
			2 918128 FITTING, grease, 1/8 NPT x 90° (Replaces 915273)	
			2 2017929 BUSHING, 2 x 2-1/2	
			2 2019534 BUSHINGS, 2 x 1-13/16	
			2 914465 FITTING, grease, 1/8" NPT, st.	

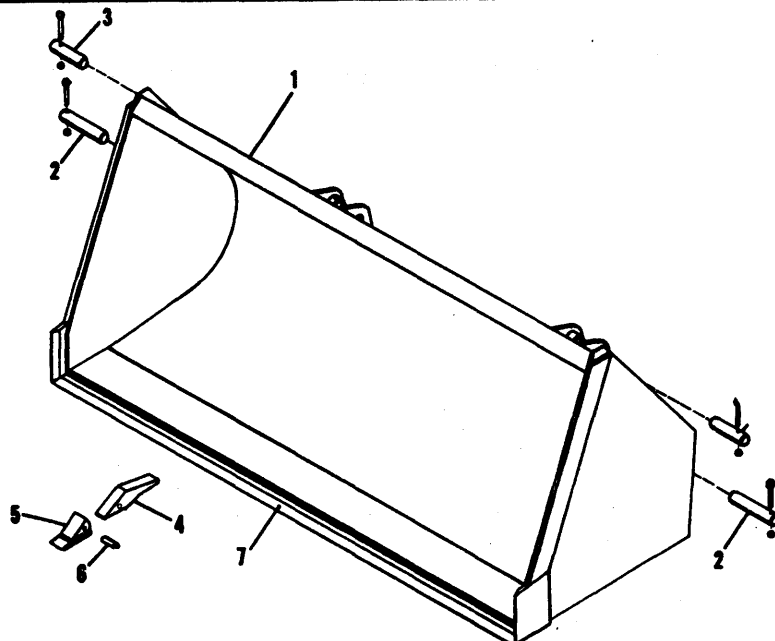
## LOADER BUCKETS

ITEM	PART NUMBER	QTY.	DESCRIPTION	ASSEMBLY OR PACKAGE NO.
		80"	96"	
1	(-----)	1	-	BUCKET, 80" (See Machinery Price List)
	(-----)	-	1	BUCKET, 96" (See Machinery Price List)
2	2018726	2	2	PIN, pivot
			1 920613 CAPSCREW, 3/8NF x 3, gr. 5	
			1 914929 NUT, 3/8 NF self-lock	
3	2018818	2	2	PIN, cylinder
			1 920613 CAPSCREW, 3/8 NF x 3, gr. 5	
			1 914929 NUT, 3/8 NF self-lock	
4	2019898	7	0	SHANK (Weld-on)
5	2017636	7	0	TOOTH, point
6	2017635	7	0	PIN, flex
7	2019540	1	0	BLADE, bucket
	2019555	0	1	BLADE, bucket

LOADER LIFT ARMS



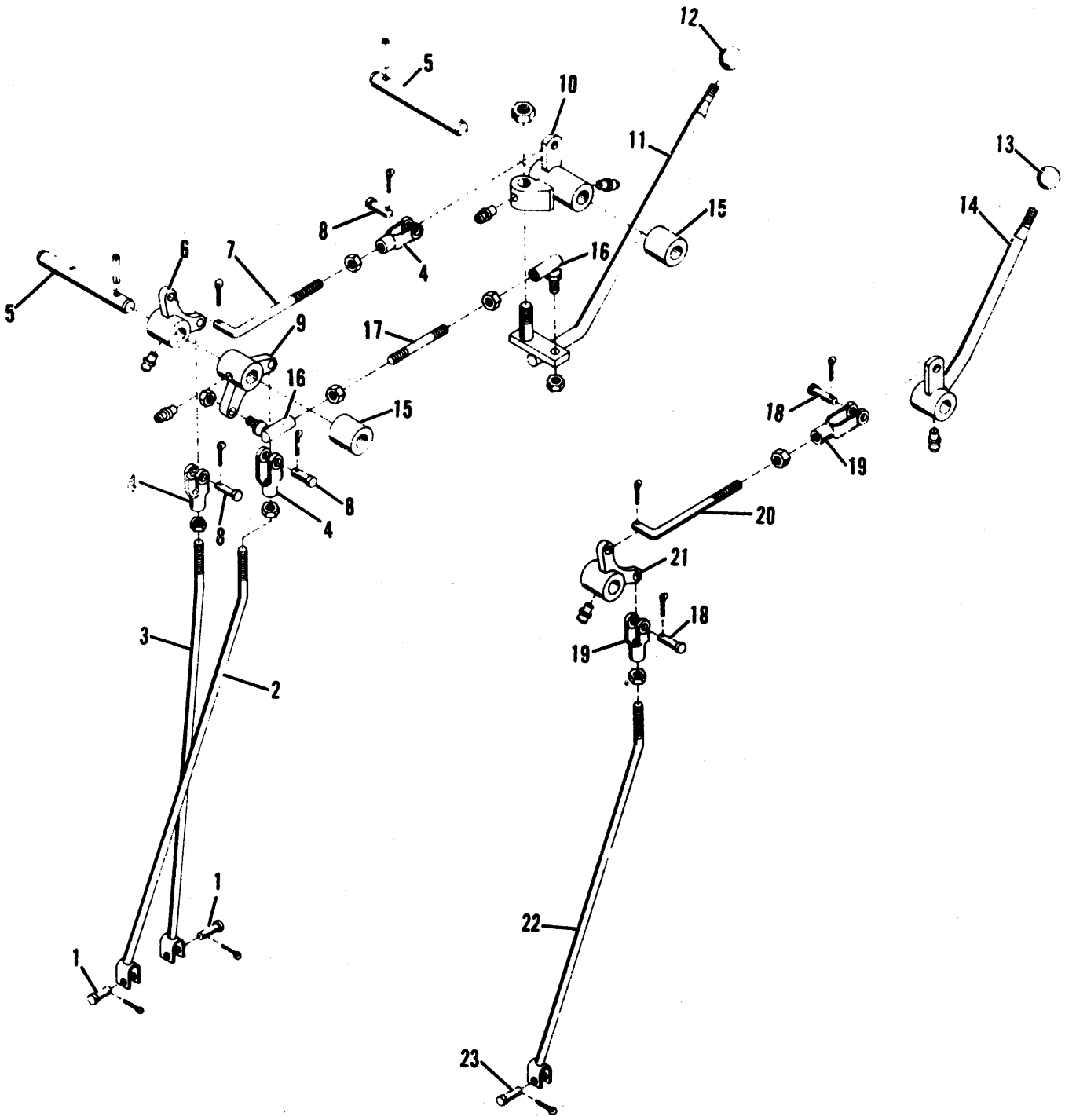
LOADER BUCKETS



## LOADER CONTROL HANDLES

ITEM	PART NUMBER	QTY.	DESCRIPTION	ASSEMBLY OR PACKAGE NO.
1	917645	2	PIN, clevis 1 900806 PIN, cotter, 1/8 x 1	
2	2019581	1	ROD, push bucket 1 910123 NUT, 3/8 NF	
3	2019580	1	ROD, push lift 1 910123 NUT, 3/8 NF	
4	917664	3	YOKE, 3/8 NF, adjustable	
5	2018725	2	PIN, handle 1 922947 PIN, spirol, 1/4 x 1-1/2	
6	2019587	1	PIVOT, lift handle 1 913958 FITTING, lube, 1/4, st. drive	
7	2019585	1	ROD, push 1 900806 PIN, cotter, 1/8 x 1 1 910123 NUT, 3/8 NF	
8	923087	3	PIN, clevis, 3/8, pltd. 1 900802 PIN, cotter, 3/32 x 1	
9	2019588	1	PIVOT, bucket handle 1 913958 FITTING, lube, 1/4, st. drive	
10	2018815	1	PIVOT, lift and bucket 2 913958 FITTING, lube, 1/4, st. drive	
11	2019584	1	HANDLE, loader 1 922246 NUT, 5/8 NF, self-lock	
12	2014647	1	KNOB, control handle	
13	2014647	1	KNOB, control	
14	2019851	1	HANDLE ASSY., 4 in 1 bucket 1 913958 FITTING, lube, 1/4, st. drive	
15	2019586	2	SPACER	
16	2019317	2	SWIVEL, ball joint 1 917791 NUT, 3/8 NF, self-lock	
17	2019319	1	ROD, connecting 2 910123 NUT, 3/8 NF	
18	923087	2	PIN, clevis, 3/8, pltd. 1 900802 PIN, cotter, 3/32 x 1	
19	917664	2	YOKE, 3/8 NF, adjustable	
20	2019585	1	ROD, push 1 900806 PIN, cotter, 1/8 x 1 1 910123 NUT, 3/8 NF	
21	2019848	1	BRACKET, pivot, 4 in 1 bucket 1 913958 FITTING, lube, 1/4, st. drive	
22	2019850	1	ROD, push 1 910123 NUT, 3/8" NF	
23	917645	1	PIN, clevis, 5/16 1 900806 PIN, cotter, 1/8 x 1	

LOADER CONTROL HANDLES





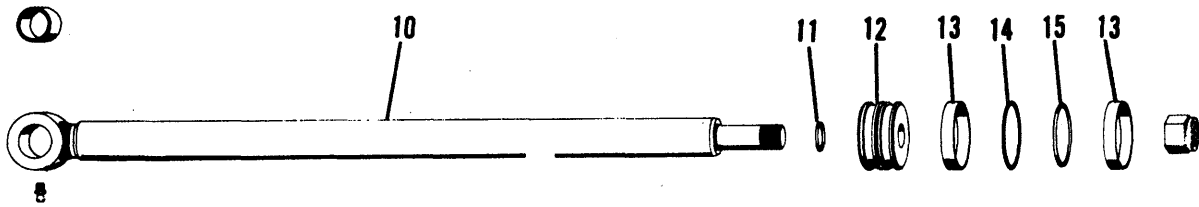
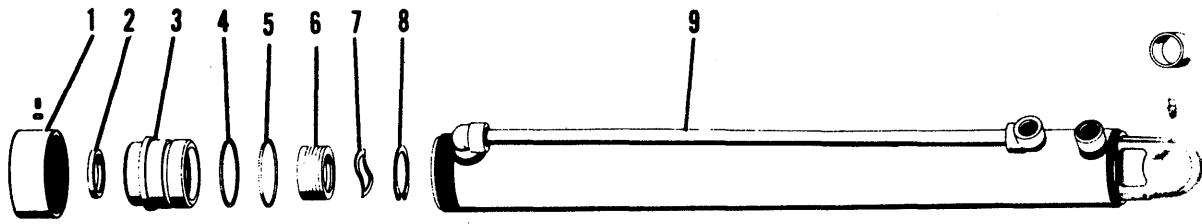
**LOADER LIFT CYLINDER**

ITEM	PART NUMBER	QTY.	DESCRIPTION	ASSEMBLY OR PACKAGE NO.
-	{ 2019412	1	CYLINDER ASSY., lift, right	
	{ 2019413	1	CYLINDER ASSY., lift, left	
1	1000913	1	RING, flange (Replaces 2015254)	
			1 911325 NUT, 1/4 NC, jam	
			1 912235 SCREW, 1/4 NC x 1/2, socket set	
2	3053637	1	RING, wiper 2" (Replaces 2014686)	
3	1000090	1	HEAD, cylinder (Replaces 2019980)	
4	2018098	1	WASHER, back-up	
5	923816	1	O-RING, 3-1/4 ID x 1/8 W	
6	2018413	1	PACKING, "V" 2"	
7	2018412	1	WASHER, wavy spring	
8	2018411	1	RING, retainer	
	{ 2019414	1	TUBE ASSY., cylinder, right	
			1 2018402 BUSHING, 1-1/2 ID x 1-15/16	
			1 914465 FITTING, lube, 1/8 NPT, st.	
9	{ 2019415	1	TUBE ASSY., cylinder, left	
			1 2018402 BUSHING, 1-1/2 ID x 1-15/16	
			1 914465 FITTING, lube, 1/8 NPT, st.	
10	2019416	1	ROD ASSY., piston	
			1 2018402 BUSHING, 1-1/2 ID x 1-15/16	
			1 914465 FITTING, lube, 1/8 NPT, st.	
			1 917776 NUT, 1-1/4 UNF	
11	924696	1	O-RING, 1-1/4 ID x 1/8 W (Replaces 923649)	
12	2019979	1	PISTON, cylinder	
13	2017362	2	RING, bearing	
14	2017235	1	RING, piston	
15	924135	1	O-RING, 3 ID x 3/32 W	
--	2018426	1	REPAIR KIT, major seal (Incl. items 2, 4, 5, 6, 11, 13, 14 & 15)	

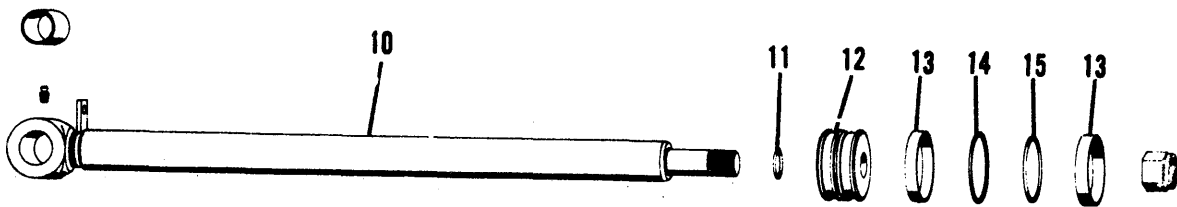
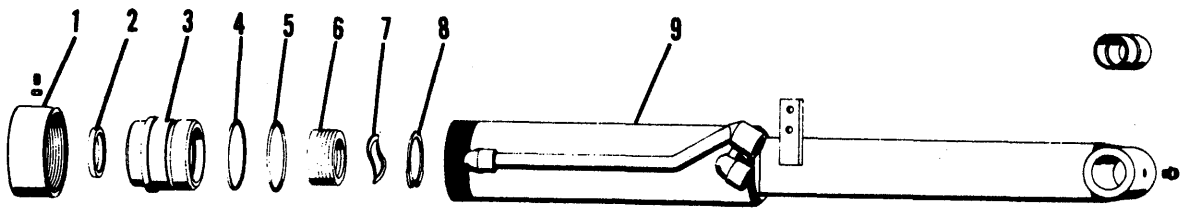
**LOADER BUCKET CYLINDER**

ITEM	PART NUMBER	QTY.	DESCRIPTION	ASSEMBLY OR PACKAGE NO.
-	{ 2019407	1	CYLINDER ASSY., left bucket w/Indicator Brackets	
	{ 2019406	1	CYLINDER ASSY., right bucket w/o Indicator Brackets	
1	1000913	1	RING, flange (Replaces 2015254)	
			1 911325 NUT, 1/4 NC jam	
			1 912235 SCREW, 1/4 NC x 1/2, socket set	
2	3053637	1	RING, wiper 2" (Replaces 2014686)	
3	1000090	1	HEAD, cylinder (Replaces 2019980)	
4	2018098	1	WASHER, back-up	
5	923816	1	O-RING, 3-1/4 ID x 1/8 W	
6	2018413	1	PACKING, "V" 2"	
7	2018412	1	WASHER, wavy spring	
8	2018411	1	RING, retainer	
	{ 2019409	1	TUBE ASSY., cylinder, left	
			2 2018402 BUSHING, 1-1/2 ID x 1-15/16	
			1 918128 FITTING, lube, 1/8 NPT, 90° (Replaces 914465)	
9	{ 2019408	1	TUBE ASSY., cylinder, right	
			2 2018402 BUSHING, 1-1/2 ID x 1-15/16	
			1 918128 FITTING, lube, 1/8 NPT, 90° (Replaces 914465)	
	{ 2019411	1	ROD ASSY., piston, left	
			1 2018393 BUSHING, 1-1/2 ID x 2-1/2	
			1 914465 FITTING, lube, 1/8 NPT, st.	
			1 917776 NUT, 1-1/4 UNF	
10	{ 2019410	1	ROD ASSY., piston, right	
			1 2018393 BUSHING, 1-1/2 ID x 2-1/2	
			1 914465 FITTING, lube, 1/8 NPT, st.	
			1 917776 NUT, 1-1/4 UNF	
11	924696	1	O-RING, 1-1/4 ID x 1/8 W (Replaces 923649)	
12	2019979	1	PISTON, cylinder	
13	2017362	2	RING, bearing	
14	2017235	1	RING, piston	
15	924135	1	O-RING, 3" ID x 3/32 W	
--	2018426	1	REPAIR KIT, major seal (Incl. Item 2, 4, 5, 6, 11, 13, 14 & 15)	

LOADER LIFT CYLINDER



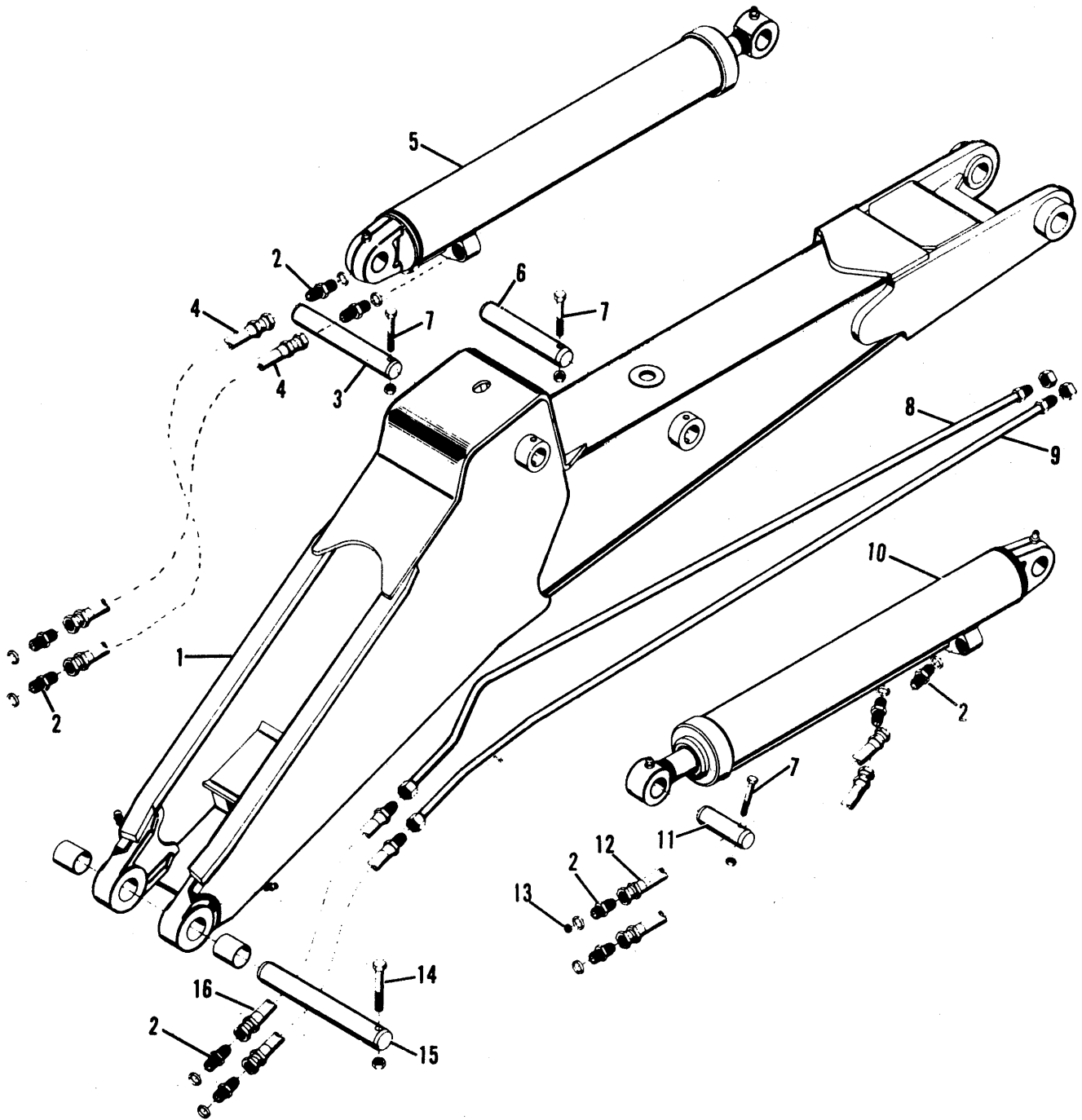
LOADER BUCKET CYLINDER



## BACKHOE BOOM &amp; HYDRAULICS

ITEM	PART NUMBER	QTY.	DESCRIPTION	ASSEMBLY OR PACKAGE NO.
1	2018767	1	BOOM ASSY.	
	2 2018712		BUSHING, 2-1/4" ID x 2-1/2" lg.	
	2 914465		FITTING, lube, 1/8" NPT, st.	
2	921217	10	CONNECTOR, 1-1/16"-1 1/2" boss (Incl. O-RING)	
	1 921206		O-RING, 3/4" tube	
3	2017944	1	PIN, dipper cylinder	
4	2018886	2	HOSE ASSY., 3/4" -2 Wire x 128"	
5	1001055	1	CYLINDER ASSY., dipper (Replaces 2018707)	
6	2018758	1	PIN, boom cylinder tail	
7	919236	3	CAPSCREW, 1/2" UNF x 4" gr. 5	
	1 915315		NUT, 1/2" UNF, self-lock	
8	2018821	1	TUBE, left bucket	
	1 922186		NUT, 3/4" tube fitting	
9	2018820	1	TUBE, right bucket	
	1 922186		NUT, 3/4" tube fitting	
10	1001059	1	CYLINDER ASSY., boom (Replaces 2018706)	
11	2018756	1	PIN, boom cylinder rod end	
12	2018797	2	HOSE ASSY., 3/4" -2 Wire x 120"	
13	2018964	1	PLATE, orifice, 1/4"	
14	916340	1	CAPSCREW, 3/4" UNF x 5", gr. 5	
	1 916022		NUT, 3/4" UNF self-lock	
15	2018763	1	PIN, boom pivot	
16	2018796	2	HOSE ASSY., 3/4" -2 Wire x 84"	
-	1001198	1	REPAIR KIT, boom	

BACKHOE BOOM & HYDRAULICS



## BACKHOE DIPPERSTICK

ITEM	PART NUMBER	QTY.	DESCRIPTION
1	2018714	1	DIPPERSTICK ASSY. 4 2018393 BUSHING, 1-1/2" ID x 2-1/2" lg. 2 2018712 BUSHING, 2-1/4" ID x 2-1/2" lg. 2 914465 FITTING, lube, 1/8" NPT, st. 1 915967 FITTING, lube, 1/8" NPT, st. lg.
2	2018762	1	PIN, dipperstick pivot
3	916340	1	CAPSCREW, 3/4" UNF x 5", gr. 5 1 916022 NUT, 3/4" UNF, self-lock
4	2018757	1	PIN, dipperstick cylinder rod end
5	919236	3	CAPSCREW, 1/2" UNF x 4", gr. 5 1 915315 NUT, 1/2" UNF, self-lock
6	2018798	2	HOSE ASSY., 3/4"-2 Wire x 48" (90° end)
7	922981	2	CONNECTOR, 7/8"-14 to 1/16"-12boss (Incl. O-RING) 1 921205 O-RING, 5/8" tube
8	2019989	1	CYLINDER ASSY., bucket
9	920613	1	CAPSCREW, 3/8" UNF x 3", gr. 5 1 914929 NUT, 3/8" UNF, self-lock
10	2018753	1	PIN, bucket cylinder
11	2018801	1	ARM ASSY., bucket 2 900824 WASHER, 1-1/4" flat 2 917776 NUT, 1-1/4" UNF, elastic stop
12	2018715	1	LINKAGE ASSY., bucket 2 2018393 BUSHING, 1-1/2" ID x 2-1/2" lg. 2 2018402 BUSHING, 1-1/2" ID x 1-15/16" lg. 3 914465 FITTING, lube, 1/8" NPT, st.
13	2018755	2	PIN, bucket
--	924307	2	DECAL, trademark combined
--	2020173	2	DECAL, hatch



## BACKHOE STABILIZERS &amp; HYDRAULICS

ITEM	PART NUMBER	QTY	DESCRIPTION	ASSEMBLY OR PACKAGE NO
1	2018792	2	STABILIZER ASSY. (Under S/N 5198)	
	1002016	2	STABILIZER ASSY. (S/N 5198 & Up)	
		2	2017929 BUSHING, 2" ID x 2-1/2 lg.	
		1	914465 FITTING, grease, 1/8 st.	
2	2019636	2	SHOE, stabilizer	
3	916325	2	CAPSCREW, 1/2 UNC x 7, gr. 5 (Under S/N 5198)	
		1	904208 WASHER, 1/2 spring	
		1	910325 NUT, 1/2 UNC	
4	2019672	2	PLATE, stabilizer (Under S/N 5198)	
5	2019601	4	HOSE ASSY., 3/8-2 Wire x 64" (Under S/N 5198)	
	1006290	4	HOSE ASSY., 3/8-2 Wire x 31" (S/N 5198 & Up)	
		1	921349 O-RING, 1/2 tube	
6	921409	4	CONNECTOR, 3/4-16 boss (Incl. O-Ring) (Under S/N 5198)	
		1	921349 O-RING, 1/2 tube	
7	2018695	2	CYLINDER ASSY., stabilizer (Under S/N 5198)	
	1002055	2	CYLINDER ASSY., stabilizer (S/N 5198 & Up)	
8	2017311	2	PIN, stabilizer cyl. tail (Under S/N 5198)	
	1002052	2	PIN, stabilizer (S/N 5198 & Up)	
9	920613	2	CAPSCREW, 3/8 UNF x 3, gr. 5	
		1	914929 NUT, 3/8 UNF, self-lock	
10	916428	2	CAPSCREW, 1/2 UNF x 3, gr. 5	
		1	915315 NUT, 1/2 UNF self-lock	
11	2019669	2	PIN, shoe	
12	2019599	4	ELBOW, 1-1/16-12 to 1/2 tube 90° adjustable (Incl. O-Ring)	
		1	921206 O-RING, 3/4 tube	
13	2019598	4	UNION, 1/2 tube 90° bulkhead	
14	2019590	1	TUBE, stabilizer, right	
15	2019592	1	TUBE, stabilizer, right	
16	2019589	1	TUBE, stabilizer, left (Under S/N 5198)	
	1002050	1	TUBE, stabilizer, left (S/N 5198 & Up)	
17	2019591	1	TUBE, stabilizer, left (Under S/N 5198)	
	1002049	1	TUBE, stabilizer, left (S/N 5198 & Up)	
18	1002256	2	PAD, street	
19	1000856	2	PAD, rubber	
20	923332	8	CAPSCREW, 3/4 UNC x 2	
		1	919332 WASHER, lock 3/4	
		1	913160 NUT, 3/4 UNC	
-	1002146	1	KIT, stabilizer (For reversing cylinders) (Under S/N 5198)	





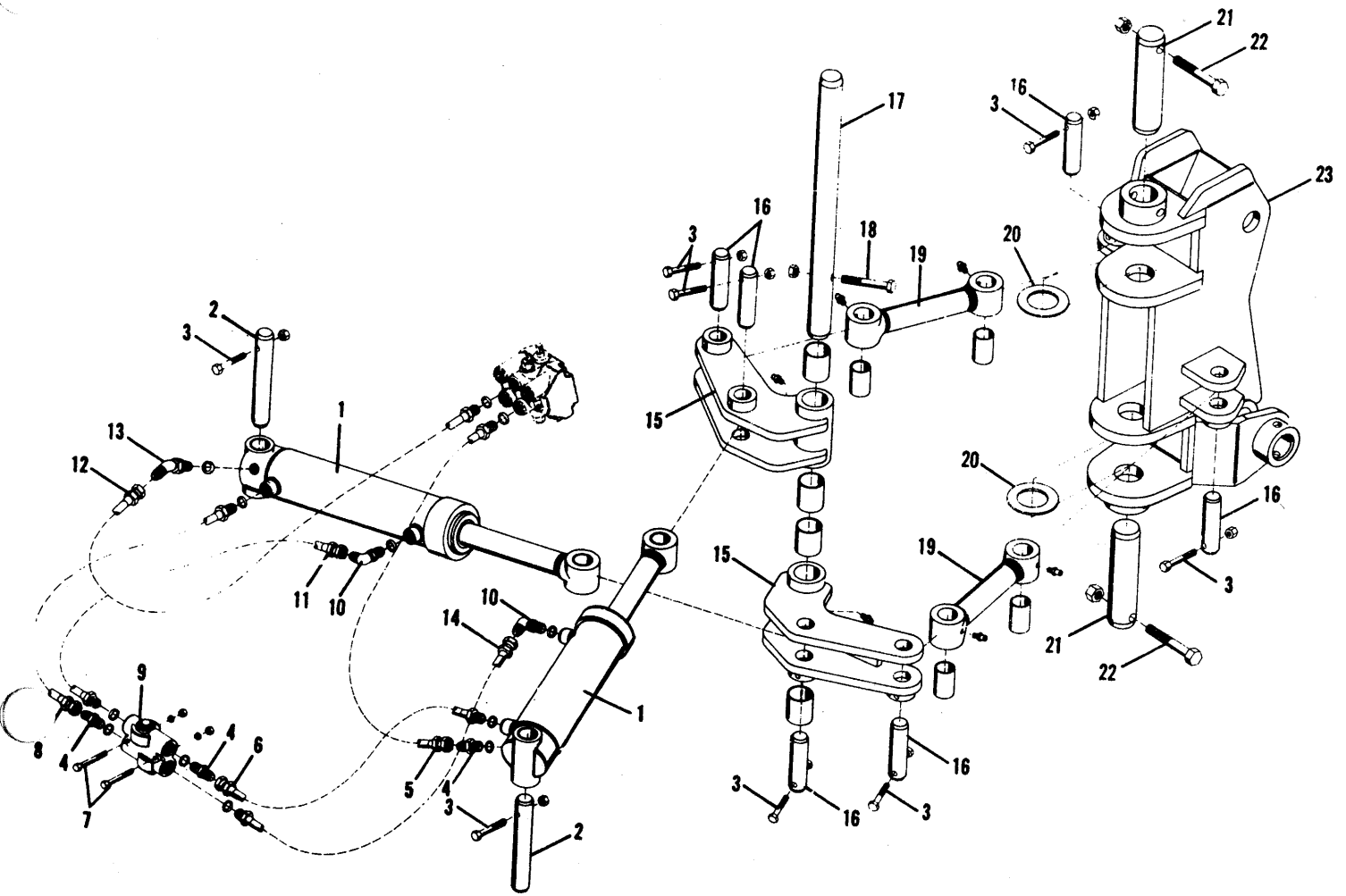
**BACKHOE SWING FRAME & HYDRAULICS**

ITEM	PART NUMBER	QTY.	DESCRIPTION	ASSEMBLY OR PACKAGE NO.
1	-----	2	CYLINDER ASSY., swing	
2	2018754	2	PIN, cylinder tail	
3	920613	8	CAPSCREW, 3/8" UNF x 3", gr. 5	
		1	914929 NUT, 3/8" UNF, self-lock	
4	921409	3	CONNECTOR, 3/4" - 16 st. boss (Incl. O-RING)	
		1	921349 O-RING, 1/2" tube	
5	2020001	1	HOSE ASSY., 1/2" - 2 Wire x 26" (Incl. O-RING)	
		1	921205 O-RING, 5/8" tube	
6	2019852	2	HOSE ASSY., 3/8" - 2 Wire x 16" (Incl. O-RING)	
		1	921349 O-RING, 1/2" tube	
7	912184	2	CAPSCREW, 1/4" UNC X 3", gr. 2	
		1	904204 WASHER, 1/4", spring	
		1	910880 NUT, 1/4"NC	
8	2019854	1	HOSE ASSY., 3/8" - 2 Wire x 12" (Incl. O-RING)	
		1	921349 O-RING, 1/2" tube	
9	-----	1	VALVE, swing cushion	
10	921402	2	ELBOW, 3/4" - 16, 90° adjustable (Incl. O-RING)	
		1	921349 O-RING, 1/2 tube	
11	2019853	1	HOSE ASSY., 3/8" - 2 Wire x 18" (Incl. O-RING)	
		1	921349 O-RING, 1/2 tube	
12	2020000	1	HOSE ASSY., 1/2" - 2 Wire x 18" (Incl. O-RING)	
		1	921205 O-RING, 5/8" tube	
13	922507	1	CONNECTOR, 3/4-16, 45° boss (Incl. O-RING)	
		1	921349 O-RING, 1/2 tube	
14	2018794	2	HOSE ASSY., 3/8" - 2 Wire x 24" (Incl. O-RING)	
		1	921349 O-RING, 1/2" tube	
15	2018717	2	LINK, swing guide	
		2	2017929 BUSHING, 2" ID x 2-1/2" lg.	
		1	914465 FITTING, lube, 1/8" NPT st.	
16	2019606	6	PIN, swing link	
17	2018760	1	PIN, link pivot	
18	2019907	1	CAPSCREW, 1/2 NF x 4", gr. 8	
		1	915315 NUT, 1/2 NF self-lock	
19	2018716	2	LINK, swing	
		2	2018393 BUSHING, 1-1/2 ID x 2-1/2, lg.	
		2	914465 FITTING, lube, 1/8 NPT st.	
20	2014976	2	WASHER, thrust	
21	2018761	2	PIN, swing frame	
22	916340	2	CAPSCREW, 3/4 NF x 5, gr. 5	
		1	916022 NUT, 3/4 NF, self-lock	
23	1002500	1	SWING, frame (Replaces 2018771)	

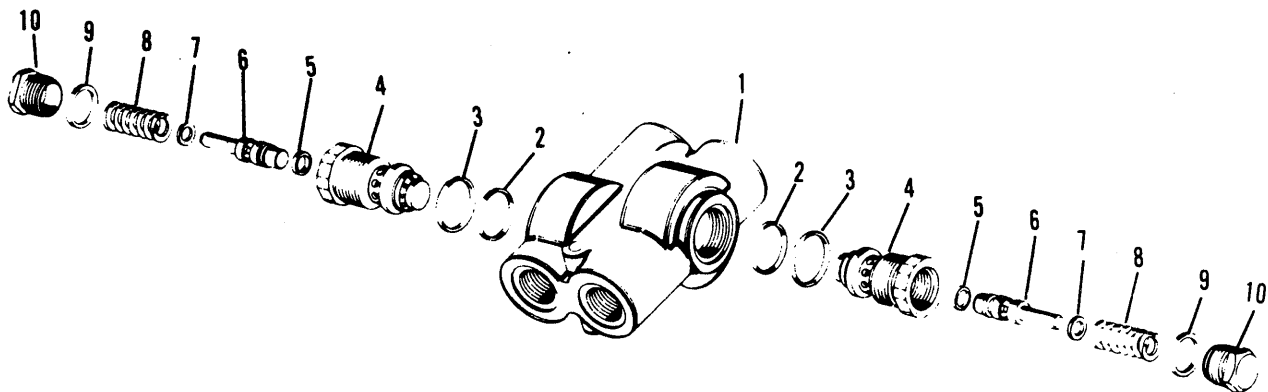
**BACKHOE SWING CUSHION VALVE**

ITEM	PART NUMBER	QTY.	DESCRIPTION	ASSEMBLY OR PACKAGE NO.
-	1002624	1	VALVE, swing cushion (Replaces 2015390)	
	1002626	2	RELIEF VALVE, 2000 PSI	
1	-----	1	HOUSING, valve (Not Serviced Separately)	
2	923848	2	O-RING, 1" ID x 1-1/8" OD x 1/16" W	
3	923563	2	O-RING, 1-1/16" ID x 1-3/16" OD x 1/16" W	
4	-----	2	BODY, relief (Not serviced separately)	
5	2019001	2	RING, piston	
6	-----	2	POPPET, relief (Not serviced separately)	
	2017287	*	SHIM, .040"	
7	2017288	*	SHIM, .020"	(*As req'd.)
	2018994	*	SHIM, .010"	
8	2019870	2	SPRING, 2000 PSI	
9	923719	2	O-RING, 3/4" ID x 15/16" OD x 3/32" W.	
10	2018999	2	CAP, relief	
	1002625	-	KIT, seal	

BACKHOE SWING FRAME & HYDRAULICS



BACKHOE SWING CUSHION VALVE

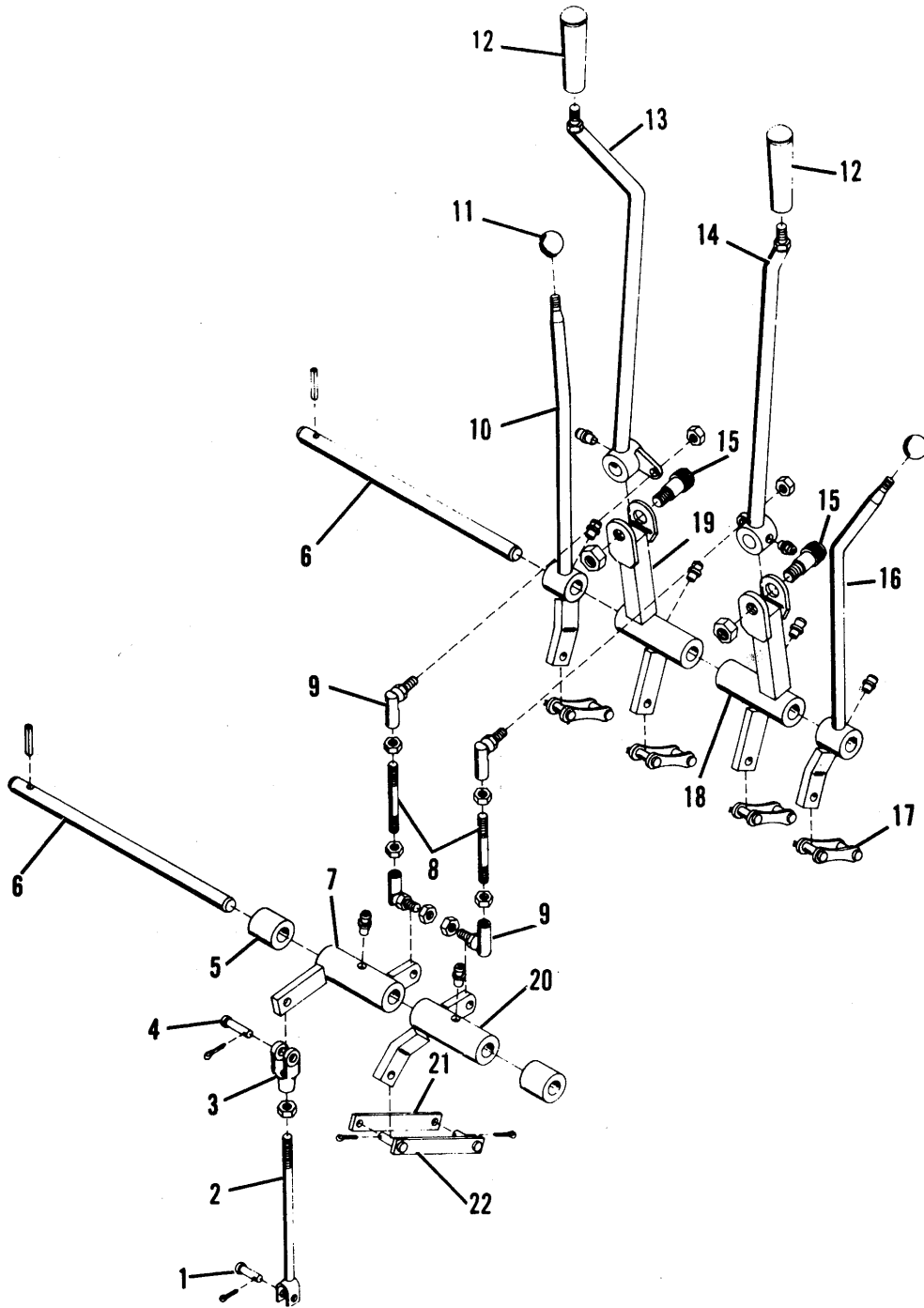


## BACKHOE CONTROL HANDLES

ASSEMBLY O.  
PACKAGE NO

ITEM	PART NUMBER	QTY.	DESCRIPTION
1	2018791	1	PIN, clevis, 3/16 1 900800 PIN, cotter, 1/16 x 3/4
2	2018779	1	ROD, push (swing valve) 1 910123 NUT, 3/8 UNF
3	917664	1	YOKE, 3/8 UNF, adjustable
4	923087	1	PIN, clevis, 3/8 1 900806 PIN, cotter, 1/8 x 1
5	2019586	2	TUBE, spacer
6	2018776	2	PIN, control pivot 1 922947 PIN, spirol, 1/4 x 1-1/2
7	2019614	1	PIVOT, swing handle 1 913958 FITTING, lube, 1/4 st. drive
8	2019319	2	ROD, connecting 2 918403 NUT, 3/8 UNF
9	2019317	4	JOINT, ball 1 924332 NUT, 3/8 UNF, fiber lock
10	2019615	1	HANDLE ASSY., stabilizer 1 913958 FITTING, lube, 1/4 st. drive
11	2014647	2	KNOB, control
12	2016374	2	GRIP, handle
13	2018781	1	HANDLE ASSY., boom and swing 1 913958 FITTING, lube, 1/4 st. drive
14	2018780	1	HANDLE ASSY., bucket and dipper 1 913958 FITTING, lube, 1/4 st. drive
15	2019315	2	BOLT, shoulder 1 910511 NUT, 5/8 UNC jam
16	2019616	1	HANDLE ASSY., stabilizer 1 913958 FITTING, lube, 1/4 st. drive
17	2018790	4	LINK, connecting 2" double pitch
18	2019611	1	PIVOT, dipper handle 1 913958 FITTING, lube, 1/4 st. drive
19	2019612	1	PIVOT, boom handle 1 913958 FITTING, lube, 1/4 st. drive
20	2019613	1	PIVOT, bucket handle 1 913958 FITTING, lube, 1/4 st. drive
21	2019846	1	LINK, bar
22	2019617	1	LINK, bar connecting 2 900802 PIN, cotter, 3/32 x 1"

BACKHOE CONTROL HANDLES



**BACKHOE BOOM CYLINDER**

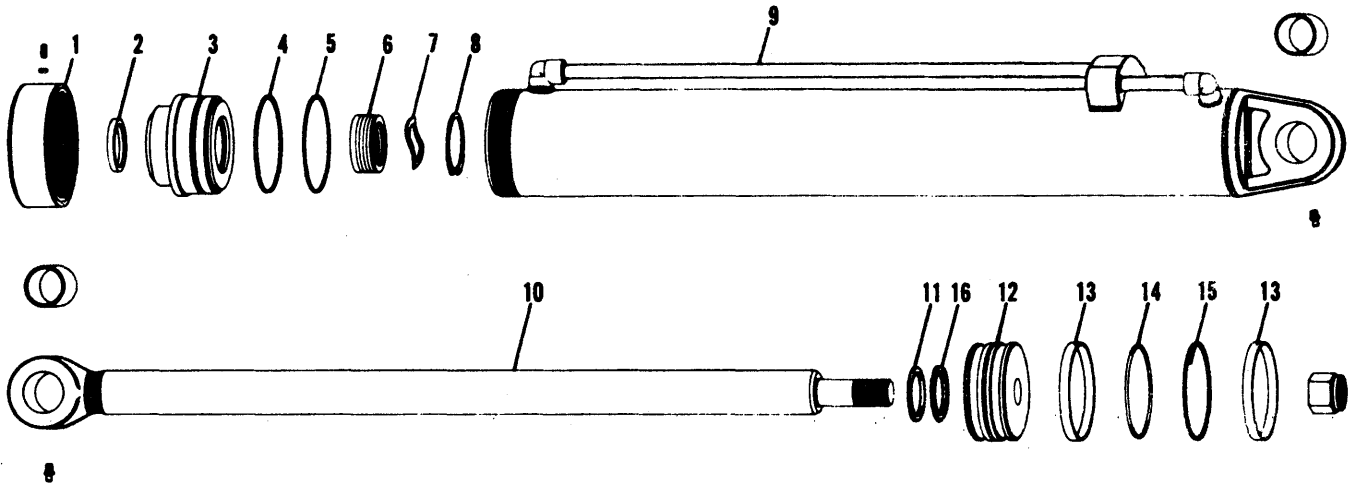
ITEM	NUMBER	QTY.	DESCRIPTION
—	2018706-8	1	CYLINDER ASSEMBLY, Boom (Prior to S/N 5000)
—	1001059-3	1	CYLINDER ASSEMBLY, Boom (S/N 5000 & Up)
1	1001274-8	1	RING, Flange (replaces 2018367)
		1	0911325-9 Nut, 1/4 NC, Jam
		1	0911711-0 Screw, 1/4 NC x 3/4, Socket Set
2	2018108-7	1	RING, Wiper, 2-1/2
3	2018365-3	1	HEAD, Cylinder
4	0926635-4	1	WASHER, Back-up
5	0923824-7	1	O-RING, 5-1/4 ID x 5-1/2 OD x 1/8 W.
6	2018501-3	1	PACKING, "V" 2-1/2
7	2018503-9	1	WASHER, Wavy
8	2018502-1	1	RING, Retainer
9	2018711-8	1	TUBE ASSEMBLY, Cylinder (Prior to S/N 5000)
	1001065-0	1	TUBE ASSEMBLY, Cylinder (S/N 5000 & Up)
		1	2017929-7 Bushing, 2 ID x 2-1/2 Lg.
		1	0914465-0 Fitting, lube 1/8 NPT st.
10	2018710-0	1	ROD ASSEMBLY, Piston, (Prior to S/N 5000)
	1001064-3	1	ROD ASSEMBLY, Piston, (S/N 5000 & Up)
		1	2017929-7 Bushing, 2 ID x 2-1/2
		1	0914465-0 Fitting, Lube, 1/8 NPT st.
		1	0917778-3 Nut, 1/2 NF, self-lock
11	0924192-8	1	O-RING, (Prior to S/N 5000)
	0923815-5	1	O-RING, 1-1/2 ID x 1-3/4 OD x 1/8 W. (S/N 5000 & Up)
12	1000141-	1	PISTON, (Prior to S/N 5000)
	1001062-7	1	PISTON, (S/N 5000 & Up)
13	2018705-0	2	RING, Wear
14	0924153-0	1	O-RING, 5 ID x 5-3/16" OD x 3/32 W.
15	2018704-3	1	RING, Piston
16	0926624-8	1	WASHER, Back-up
---	2019981-6	1	REPAIR KIT, Major Seal (Prior to S/N 5000)
---	1001080-9	1	REPAIR KIT, Major Seal (Incl. Items 2, 4, 5, 6, 11, 13, 14, & 15) (S/N 5000 & Up)

**BACKHOE DIPPER CYLINDER**

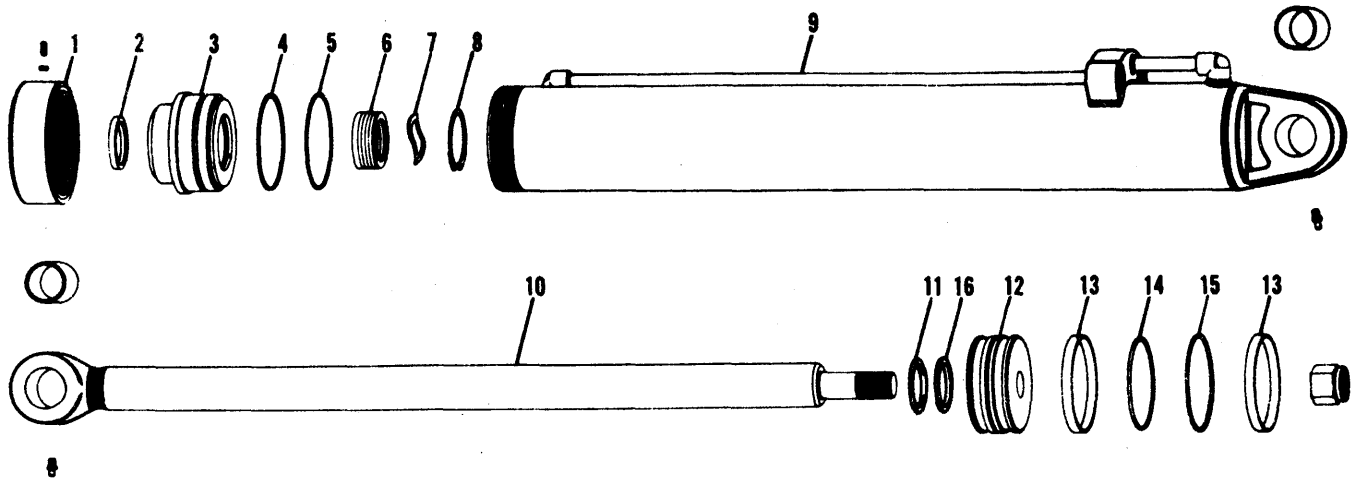
ITEM	NUMBER	QTY.	DESCRIPTION
—	2018707-6	1	CYLINDER ASSEMBLY, Dipper (Prior to S/N 5000)
—	1001055-1	1	CYLINDER ASSEMBLY, Dipper (S/N 5000 & Up)
1	2018367-9	1	RING, Flange (Prior to S/N 5000)
	1001274-8	1	RING, Flange
		1	0911325-9 Nut, 1/4 NC, Jam
		1	0911711-0 Screw, 1/4 NC x 3/4, Socket set
2	2018108-7	1	RING, Wiper, 2-1/2
3	2018365-3	1	HEAD, Cylinder
4	0926635-4	1	WASHER, Back-Up
5	0923824-7	1	O-RING, 5-1/4 ID x 5-1/2 OD x 1/8 W.
6	2018501-3	1	PACKING, "V" 2-1/2
7	2018503-9	1	WASHER, Wavy
8	2018502-1	1	RING, Retainer
9	2018708-4	1	TUBE ASSEMBLY, Cylinder (Prior to S/N 5000)
	1001067-6	1	TUBE ASSEMBLY, Cylinder (S/N 5000 & Up)
		1	2017929-7 Bushing 2 ID x 2-1/2 Lg.
		1	0914465-0 Fitting, Lube 1/8 NPT St.
10	2018708-4	1	TUBE ASSEMBLY, Cylinder (Prior to S/N 5000)
	1001067-6	1	TUBE ASSEMBLY, Cylinder (S/N 5000 & Up)
		1	2017929-7 Bushing, 2 ID x 2-1/2 Lg.
		1	0914465-0 Fitting, Lube 1/8 NPT St.
		1	0917778-3 Nut 1-1/2 NF, self-back
11	0924192-8	1	O-RING, (Prior to S/N 5000)
	0923815-5	1	O-RING, 1-1/2 ID x 1-3/4 OD x 1/8 W. (S/N 5000 & Up)
12	1000141-0	1	PISTON, (Prior to S/N 5000)
	1001062-7	1	PISTON, (S/N 5000 & Up)
13	2018705-0	2	RING, Wear
14	0924153-0	1	O-RING, 5ID x 5-3/16 OD x 3/32 W.
15	2018704-3	1	RING, Piston
16	0926624-8	1	WASHER, Back-Up
---	2019981-6	1	REPAIR KIT, Major Seal (Prior to S/N 5000)
---	1001080-9	1	REPAIR KIT, Major Seal (Incl. Items 2, 4, 5, 6, 11, 13, 14, 15) (S/N 5000 & Up)

REVISED 1/74

BACKHOE BOOM CYLINDER



BACKHOE DIPPER CYLINDER



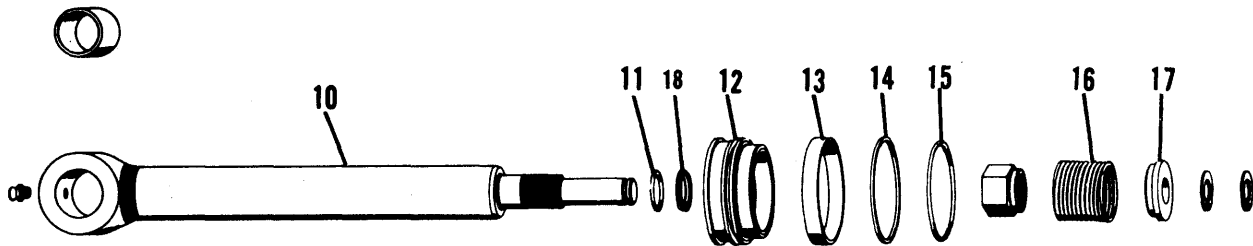
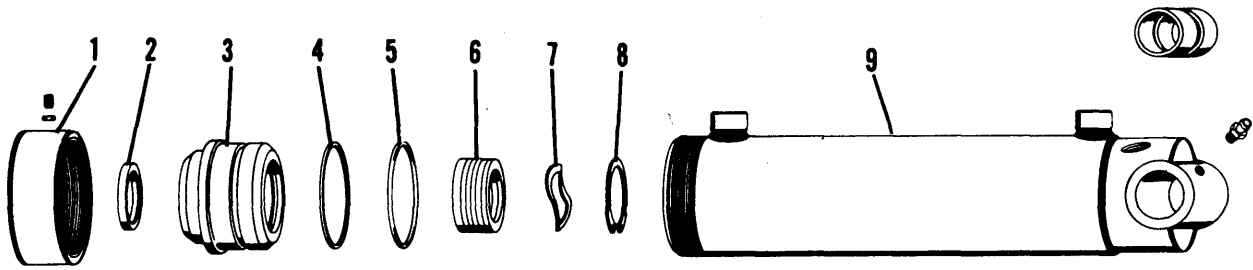
**BACKHOE SWING CYLINDER**

ITEM	PART NUMBER	QTY.	DESCRIPTION	ASSEMBLY OR PACKAGE NO.
-	2019478	2	CYLINDER ASSY., swing	
1	2019978	1	RING, flange	
		1	911325 NUT, 1/4" UNC jam	
		1	912235 SCREW, 1/4" UNC x 1/2" socket set	
2	3053637	1	RING, wiper (Replaces 2014686)	
3	2019977	1	HEAD, cylinder	
4	926629	1	WASHER, back-up (Replaces 2018107)	
5	923817	1	O-RING, 3-3/4" ID x 4" OD x 1/8" W.	
6	2018413	1	PACKING, "V" 2"	
7	2018412	1	SPRING, wavy	
8	2018411	1	RING, retainer	
9	2018692	1	CYLINDER TUBE ASSY.	
		2	2018402 BUSHING, 1-1/2" ID x 1-15/16"	
		1	914465 FITTING, lube, 1/8" NPT st.	
10	2018690	1	PISTON ROD ASSY.	
		1	2018393 BUSHING, 1-1/2" ID x 2-1/2"	
		1	2018689 NUT, 1-1/4" UNF, self-lock	
		2	2019994 RING, retainer	
		1	918128 FITTING, lube, 1/8" NPT, 90°	
11	924696	1	O-RING, 1-1/4" ID x 1-1/2" OD x 1/8" W, 90 Duro	
12	2019627	1	PISTON	
13	2018092	1	RING, bearing	
14	2018095	1	RING, piston	
15	924187	1	O-RING, 3-1/2" ID x 3-11/16" OD x 3/32" W.	
16	2019619	1	SPRING	
17	2019999	1	PLATE, valve	
18	926618	1	WASHER, back-up	
--	2019997	1	REPAIR KIT, major seal (Incl. items 2, 4, 5, 6, 11, 13, 14 15 & 18)	

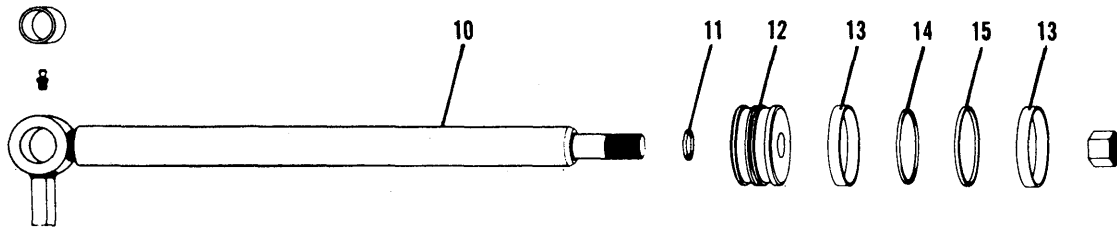
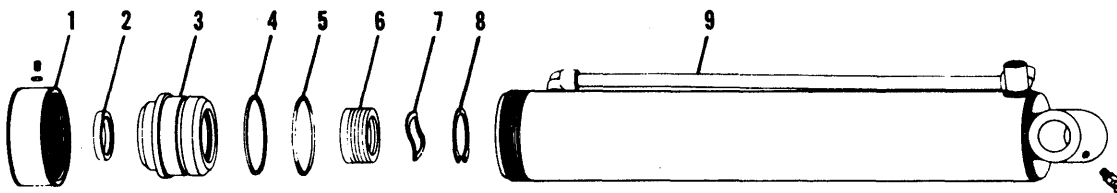
**BACKHOE STABILIZER CYLINDER**

ITEM	PART NUMBER	QTY	DESCRIPTION	ASSEMBLY OR PACKAGE NO.
-	2018695	2	0 CYLINDER ASSY., stab. Under S/N 5198	
-	1002055	0	2 CYLINDER ASSY., stab. S/N 5198 & Up	
1	2019978	1	1 RING, flange	
		1	911325 NUT, 1/4 NC, jam	
		1	912235 SCREW, 1/4 NC x 1/2, socket set	
2	3053637	1	0 RING, wiper 2" (Replaces 2014686)	
	2018108	1	1 RING, wiper 2-1/2"	
3	2019977	1	0 HEAD, cylinder 2"	
	1001447	1	1 HEAD, cylinder 2-1/2"	
4	926629	1	1 WASHER, back-up	
5	923817	1	1 O-RING, 3-3/4 ID x 4 OD x 1/8 W.	
6	2018413	1	0 PACKING "V", 2"	
	1001448	1	1 SEAL, poly pak	
7	2018412	1	0 WASHER, wavy	
8	2018411	1	0 RING, retainer	
9	2018696	1	0 TUBE ASSY., cylinder	
		1	915274 FITTING, lube 1/8 NPT, 45 degrees	
	1001259	0	1 TUBE ASSY., cylinder	
		1	914465 FITTING, lube 1/8 NPT, st.	
10	2018697	1	0 ROD ASSY., piston 2"	
	1001445	1	0 ROD WELDMENT, piston 2-1/2" (Does not incl. Bushing)	
	1002056	0	1 ROD ASSY., piston 2-1/2"	
		1	2018402 BUSHING, 1-1/2 ID x 1-15/16 Lg.	
		1	914465 FITTING, lube, 1/8 NPT st.	
		1	917776 NUT, 1-1/4 lock	
11	924696	1	0 O-RING, 1-1/4 ID x 1-1/2 OD x 1/8 W.	
	923815	0	1 O-RING, 2-1/2 ID x 2-3/4 OD x 1/8W.	
12	1000252	1	0 PISTON	
	1000157	0	1 PISTON	
13	2018092	2	2 RING, wear	
14	924187	1	1 O-RING, 3-1/2 ID x 3-11/16 OD x 3/32 W.	
15	2018095	1	1 RING, piston	
--	2019982	1	0 REPAIR KIT, major seal (Incl. items 2, 4, 5, 6, 11, 13, 14 & 15)	
--	1002060	1	1 REPAIR KIT, major seal (Incl. items 2, 4, 5, 6, 11, 13, 14 & 15)	

BACKHOE SWING CYLINDER



BACKHOE STABILIZER CYLINDER





---

**BACKHOE BUCKET CYLINDER**

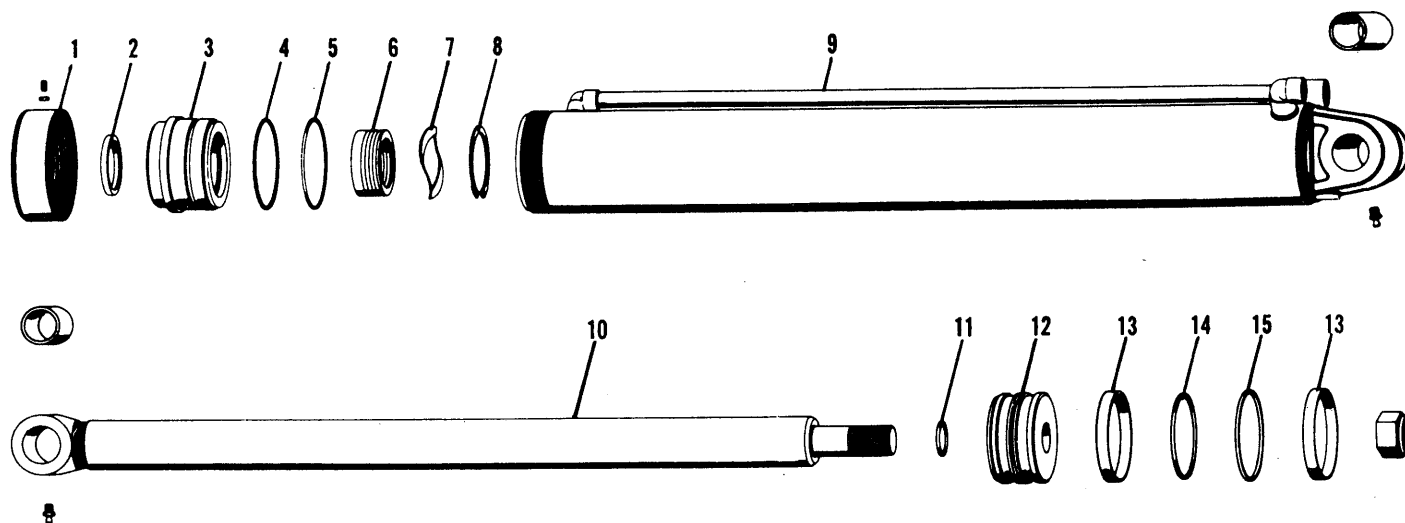
ITEM	PART NUMBER	QTY.	DESCRIPTION	ASSEMBLY OR PACKAGE NO.
-	2019989	1	CYLINDER ASSY., bucket	
1	2019984	1	RING, flange	
		1	911325 NUT, 1/4NC, jam	
		1	912235 SCREW, 1/4NC x 1/2, socket set	
2	2018108	1	RING, wiper, 2-1/2	
3	2019983	1	HEAD, cylinder	
4	926631	1	WASHER, back-up	
5	923589	1	O-RING, 4-1/4 ID x 4-1/2 OD x 1/8 W.	
6	2018501	1	PACKING, "V" 2-1/2	
7	2018503	1	WASHER, wavy	
8	2018502	1	RING, retainer	
9	2019990	1	TUBE ASSY., cylinder	
		1	2018393 BUSHING, 1-1/2 ID x 2-1/2 lg.	
		1	914465 FITTING, lube, 1/8 NPT st.	
10	2019991	1	ROD ASSY., piston	
		1	2018393 BUSHING, 1-1/2" ID x 2-1/2 lg.	
		1	914465 FITTING, lube, 1/8 NPT st.	
		1	917778 NUT, 1-1/2 NF, lock	
11	924192	1	O-RING, 1-1/2 ID x 1-3/4 OD x 1/8 W.	
12	1000253	1	PISTON	
13	1000455	2	RING, wear	
14	923659	1	O-RING, 4 ID x 4-3/16 OD x 3/32 W.	
15	2019995	1	RING, piston	
--	2019996	1	REPAIR KIT, major seal (Incl. items 2, 4, 5, 6, 11, 13, 14 & 15)	

---

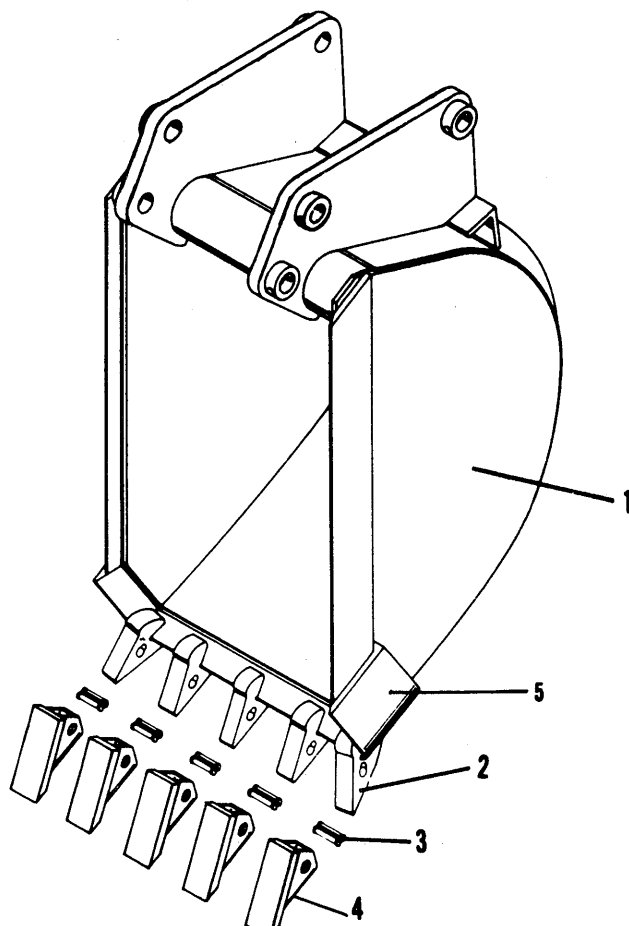
**BACKHOE BUCKETS**

ITEM	PART NUMBER	QTY.	DESCRIPTION	ASSEMBLY OR PACKAGE NO.
1	289674	1	BUCKET, 24"	
	289673	1	BUCKET, 30"	
	289675	1	BUCKET, 36"	
2	2019643	*	SHANK, tooth	(*As req'd.)
3	2019642	*	PIN, flex	
4	2019644	*	POINT, tooth	
5	1043393	-	BLADE	
	1043394	-	BLADE	
	1043395	-	BLADE	
	1001439	-	BLADE	
	1001440	-	BLADE	

BACKHOE BUCKET CYLINDER



BACKHOE BUCKETS

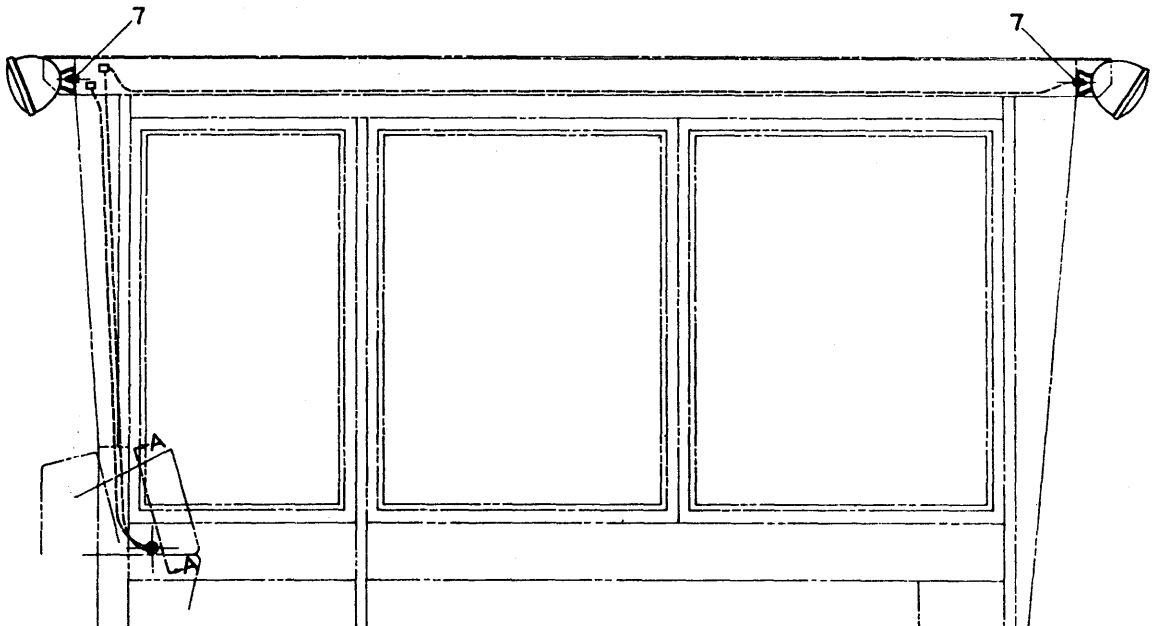
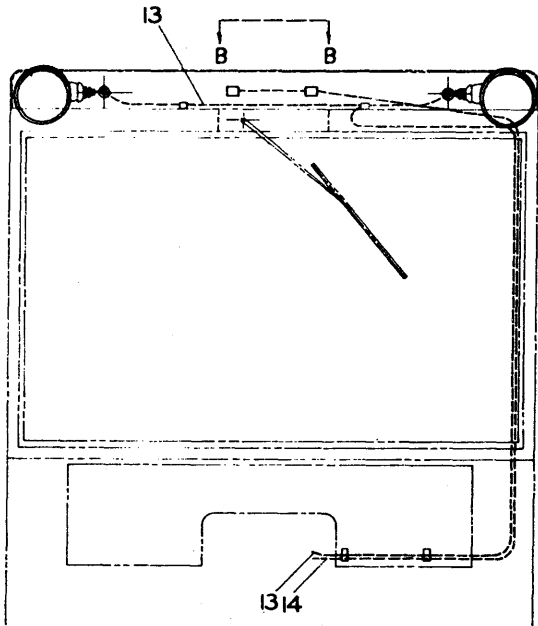
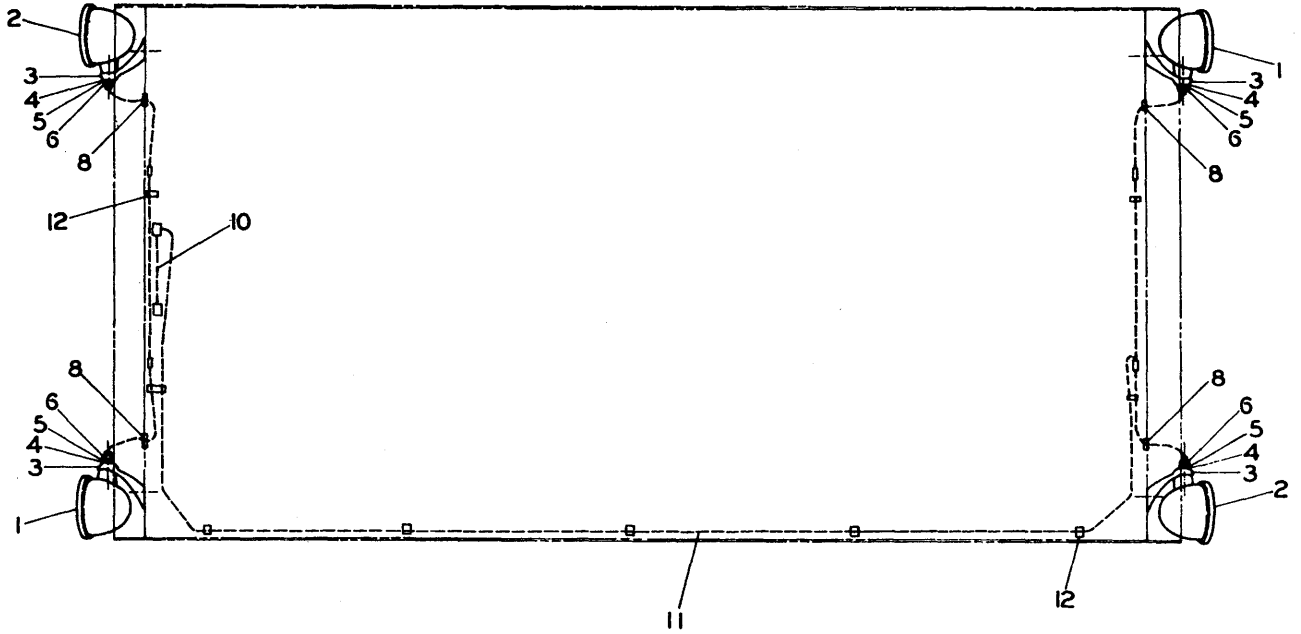
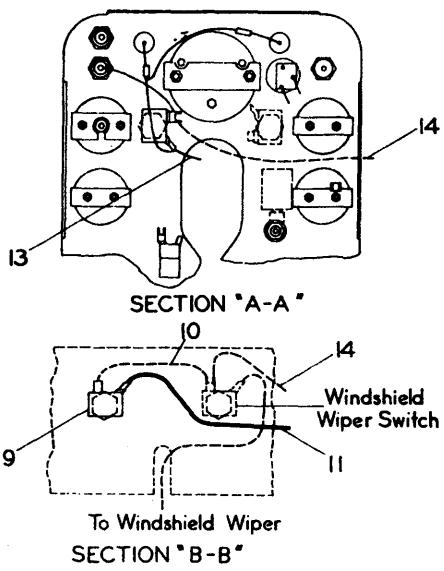


## WORK LIGHT PACKAGE w/CAB

ITEM	PART NUMBER	QTY	DESCRIPTION	ASSEMBLY OR PACKAGE NO.
1	251694	*2	LAMP ASSEMBLY, road and work left	
2	251695	*2	LAMP ASSEMBLY, road and work right	
3	246227	**8	BRACKET, lamp	
4	917379	**8	WASHER, 1/2" plated	
5	920428	**8	WASHER, 1/2" lock plated	
6	919423	**8	NUT, 1/2" UNF plated	
7	908127	4	CAPSCREW, 3/8" UNC x 3/4" plated	
		1	916965 WASHER, 3/8" lock plated	
		1	916950 NUT, 3/8" UNC plated	
8	2019965	4	GROMMENTS	
9	234409	*1	SWITCH, light	
10	2019962	1	WIRE, jumper (Cab Wiper Switch)	
11	2019963	1	WIRE ASSEMBLY, (Work Lamp)	
12	2019966	12	CLIP, speed	
13	2019964	1	WIRE ASSEMBLY, head lamp	
14	2020166	1	WIRE, cab windshield wiper	

\* One Req. From Standard Light Group

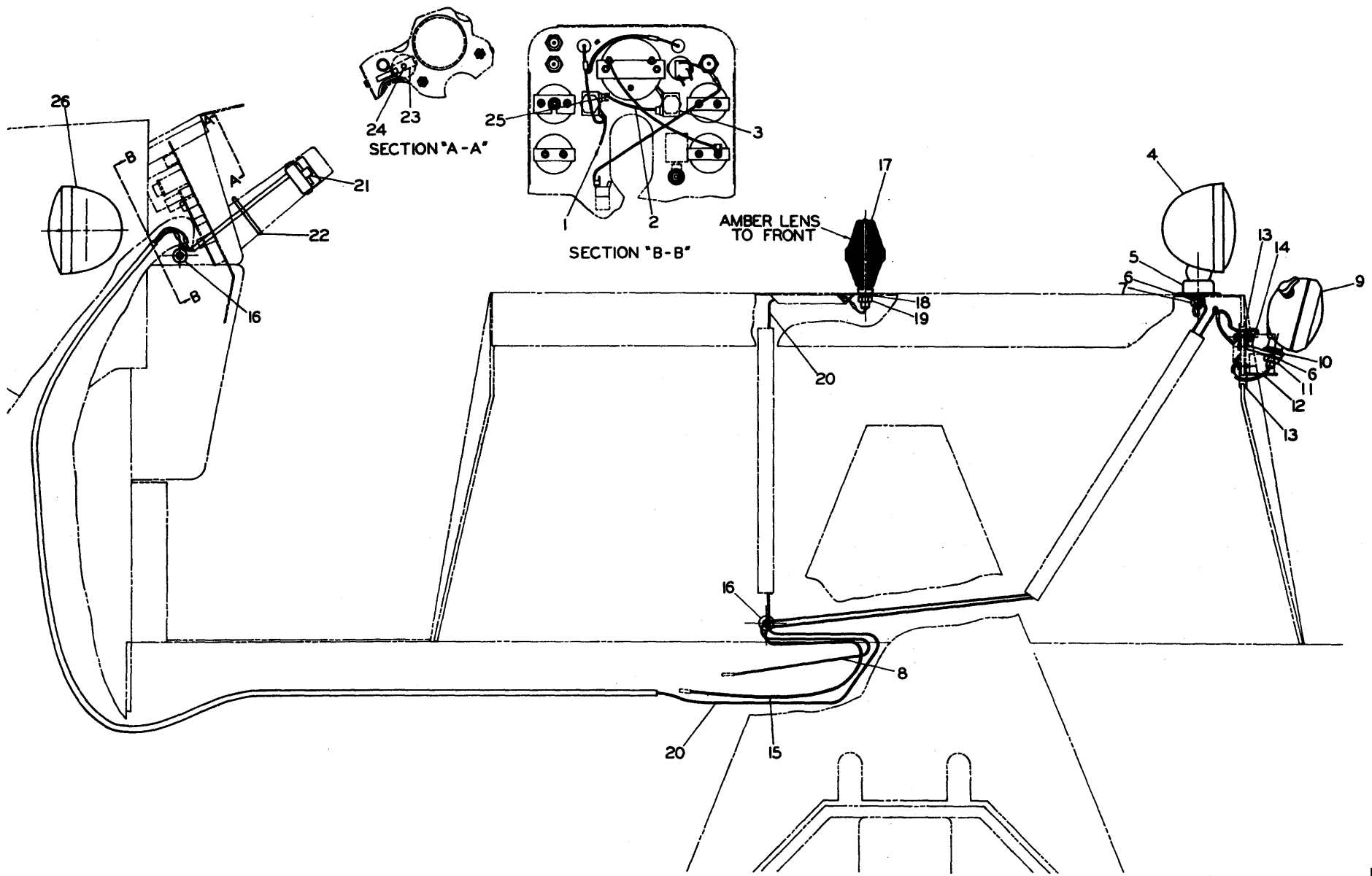
\*\* Four Req. From Standard Light Group



## LIGHT GROUP

ASSEMBLY Or.  
PACKAGE NO.

ITEM	PART NUMBER	QTY	DESCRIPTION
1	251712	1	WIRE ASSEMBLY, head light
2	233634	1	WIRE ASSEMBLY, jumper
3	234409	1	SWITCH, lighting
4	252478	2	LAMP
5	246721	2	SPACER
6	920428	3	WASHER, 1/2" plated lock
7	919423	2	NUT, 1/2" UNF plated
8	2019968	1	WIRE ASSEMBLY, L.H. Work light
	2019969	1	WIRE ASSEMBLY, R.H. Work light
9	240872	1	LAMP ASSEMBLY, tail
10	235900	1	WASHER, bearing
11	916951	1	NUT, 1/2" UNC plated
12	240436	1	AUXILIARY OUTLET, socket
		2	922826 SCREW, 1/4" x 3/8" Thd. Cat. Ext. Tooth EW
13	910869	2	GROMMET
14	251689	1	BRACKET, rear lamp
		2	903772 CAPSCREW, 5/16" UNC x 1" plated
		2	917356 WASHER, 5/16" lock plated
		2	924817 WASHER, 5/16" plated
		2	910323 NUT, 5/16" UNC plated
15	2019889	1	WIRE ASSEMBLY, rear
16	925425	3	GROMMET
17	251793	2	LAMP ASSEMBLY, turn signal
18	904208	2	WASHER, 1/2" lock
19	910092	2	NUT, 1/2" UNF jam
20	2019970	1	WIRE ASSEMBLY, directional signal
21	245720	1	CONTROL w/FLASHER AND TERM
22	245558	1	TIE
23	245562	1	BRACKET, flasher control
24	922707	1	SCREW, No. 10-32 x 1/4" Lg. plated machine
		1	904203 WASHER, No. 10-32 lock
		1	910251 NUT, No. 10-32
25	239486	1	TERMINAL, adaptor
26	251694	1	LAMP ASSEMBLY, road L.H.
	251695	1	LAMP ASSEMBLY, road R.H.
		2	246721 SPACER, 1/2" plated light
		2	920428 WASHER, 1/2" plated lock
		2	919423 NUT, 1/2" UNF plated
		3	252515 CLIP, speed

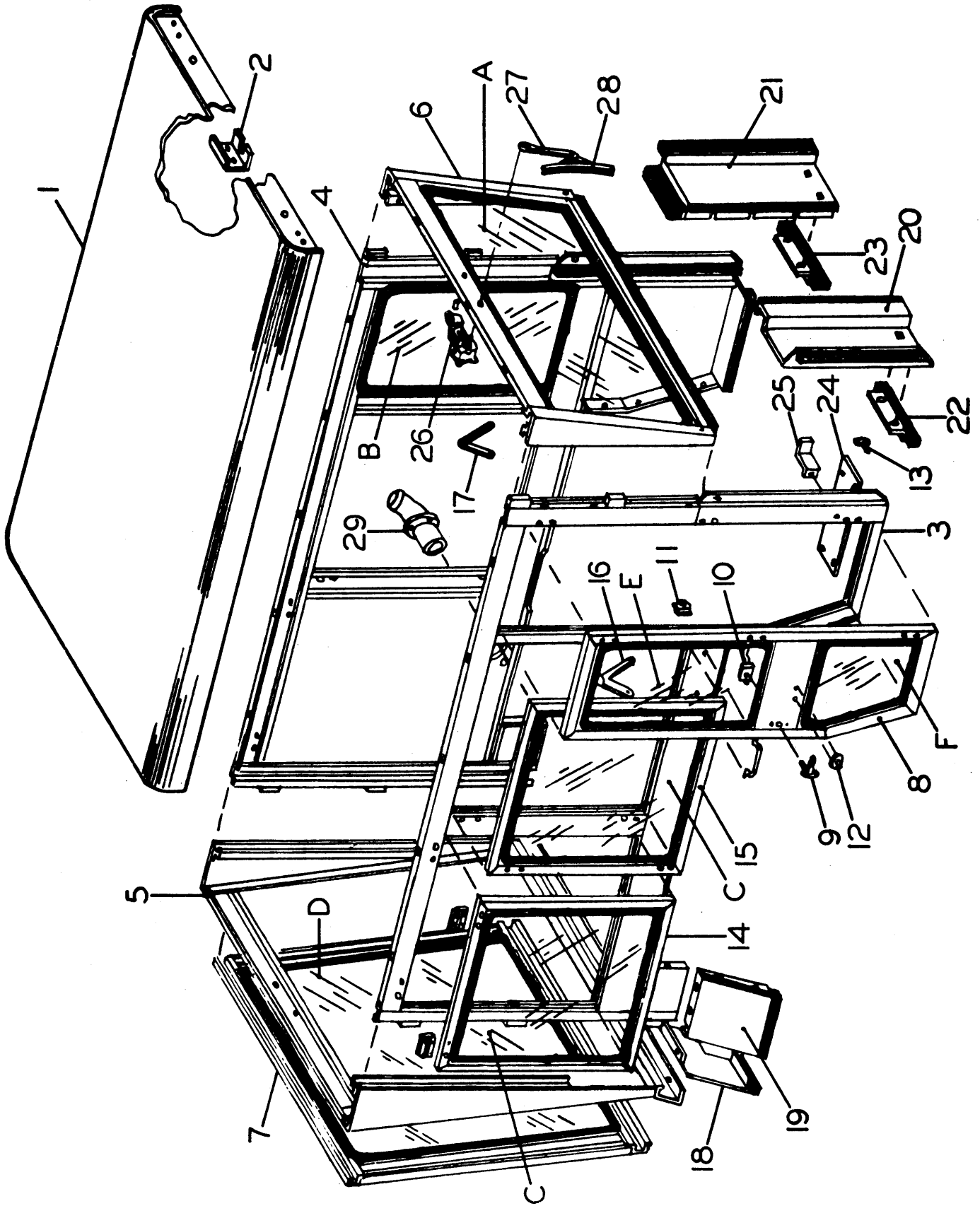


## CAB

ASSEMBLY OF  
PACKAGE NO.

ITEM	PART NUMBER	QTY	DESCRIPTION
1	2020261	1	ROOF ASSEMBLY 16 919317 CAPSCREW, 5/16-18 UNC x 1/2" 16 923422 NUT, Hex 5/16-18 UNC
2	2020262	1	PANEL, switch
3	2020263	1	FRAME, right side
4	2020264	1	FRAME, left side (Includes glass)
5	2020265	1	FRAME, rear 6 919933 CAPSCREW, 5/16-18 UNC x 1-1/2" 6 923422 NUT, Hex 5/16-18 UNC
6	2020288	1	WINDSHIELD ASSEMBLY (Includes glass) 6 919933 CAPSCREW, 5/16-18 UNC x 1-1/2" 6 923422 NUT, Hex 5/16-18 UNC
7	2020289	1	WINDOW ASSEMBLY, rear (Includes glass) 2 2020266 WASHER, 1-3/4" OD 2 917397 CAPSCREW, 5/16-18 UNC x 3/4" 2 923422 NUT, Hex 5/16-18 UNC
8	2020267	1	DOOR ASSEMBLY (Includes glass) 3 2020268 HINGE 12 919414 BOLT, carriage 5/16 x 3/4" 12 923422 NUT, 5/16-18 UNC
9	2020269	1	HANDLE, door
10	2020270	1	LATCH, door
11	2020271	1	PLATE, striker 4 908295 CAPSCREW, 1/4-20 UNC x 1/2 4 923329 NUTS, Hex 1/4-20 UNC
12	2020272	1	SOCKET, open door latch
13	2020273	1	PLUNGER, open door latch 4 917397 CAPSCREW, 5/16-18 UNC x 3/4" 4 923422 NUT, Hex 5/16-18 UNC
14	2020274	2	WINDOW ASSEMBLY, rear side (Includes glass) 2 2020268 HINGE 8 919414 BOLT, carriage 5/16 x 3/4" 8 923422 NUT, 5/16-18 UNC
15	2020275	2	WINDOW ASSEMBLY, forward side (Includes glass) 2 2020268 HINGE 8 919414 BOLT, carriage 5/16 x 3/4" 8 923422 NUT, 5/16-18 UNC
16	2020276	3	ADJUSTER, window (left) 2 918249 SCREW, tr. hd., 5/16-18 UNC x 3/4" 2 919441 NUT, 5/16" 1 1001639 KNOB 2 1001640 WASHER, fiber 1 1001641 LUG 1 919414 BOLT, carriage 5/16 x 3/4"
17	2020277	3	ADJUSTER, window (right) 2 918249 SCREW, tr. hd., 5/16-18 UNC x 3/4" 2 919441 NUT, 5/16" 1 1001639 KNOB 2 1001640 WASHER, fiber 1 1001641 LUG 1 919414 BOLT, carriage 5/16 x 3/4"
18	2020278	1	REAR PANEL, right
	2020279	1	REAR PANEL, left
19	2020280	1	SIDE PANEL, right
	2020281	1	SIDE PANEL, left 14 919317 CAPSCREW, 5/16-18 UNC x 1/2" 14 923422 NUT, Hex 5/16-18 UNC
20	2020282	1	FRONT PANEL, right
21	2020283	1	FRONT PANEL, left

(Continued on Next Page)



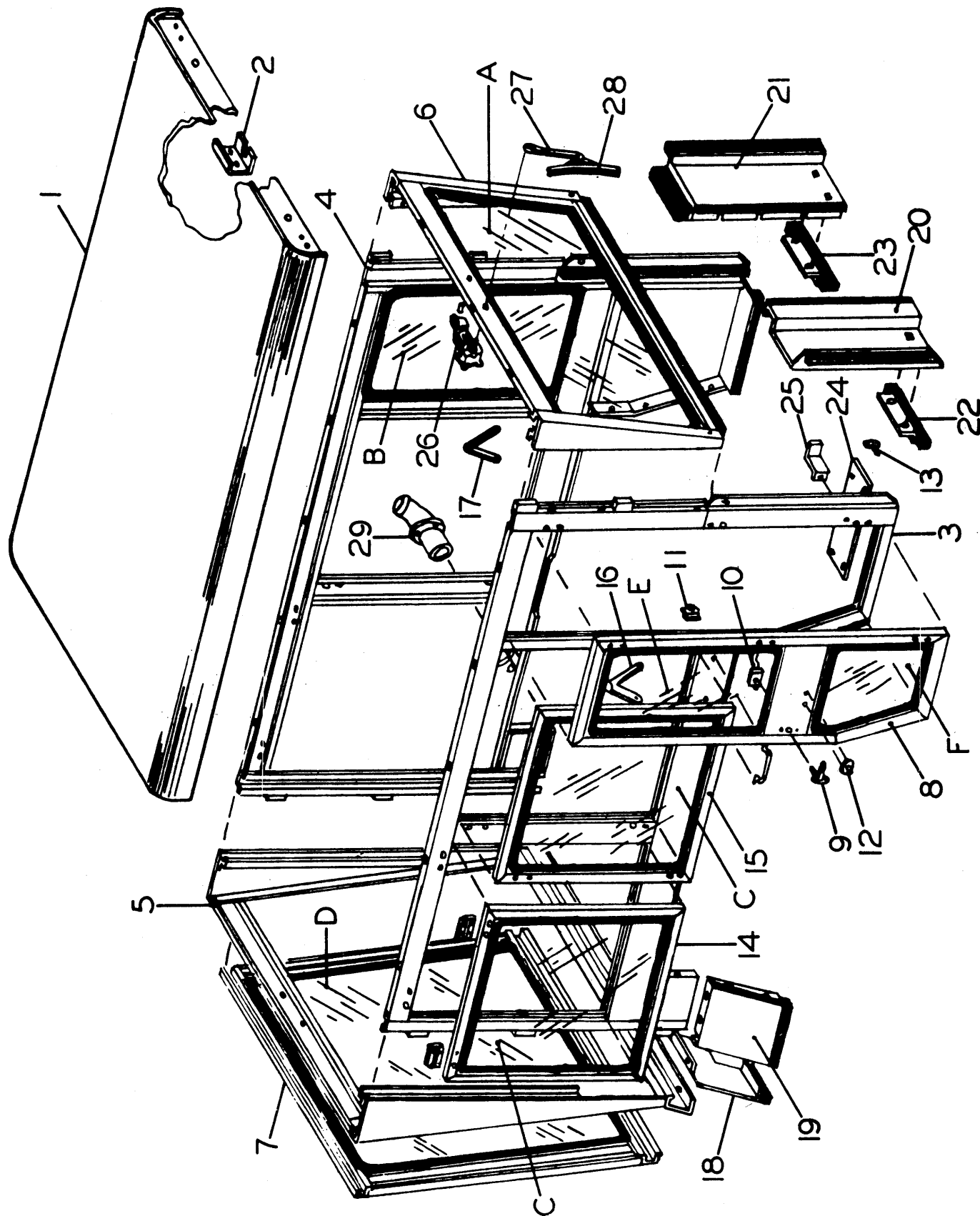


## CAB (Continued)

ITEM	PART NUMBER	QTY	DESCRIPTION	ASSEMBLY OR PACKAGE NO.
22	2020284	1	EXTENSION, right front panel	
23	2020285	1	EXTENSION, left front panel	
		10	917642 WASHER, 5/16	
		4	919414 BOLT, 5/16 x 3/4" carriage	
		4	923422 NUT, 5/16-18 UNC	
24	2020286	1	PLATE, floor	
		2	919317 CAPSCREW, 5/16-18 UNC x 1/2"	
		2	923422 NUT, Hex 5/16-18 UNC	
25	2020287	2	CLAMP	
		1	908127 CAPSCREW, 3/8-16 UNC x 3/4"	
		1	916954 NUT, 3/8-16 UNC	
26	2020290	1	MOTOR, windshield wiper	
		1	2020293 SWITCH	
27	2020291	1	ARM, wiper	
28	2020292	1	BLADE, wiper	
		1	2020294 SPACER	
29	2020295	1	FILLER, fuel tank	
		3	919317 CAPSCREW, 5/16-18 UNC x 1/2"	
		3	923422 NUT, Hex 5/16-18 UNC	
		2	2020304 HOSE	
		4	921914 CLAMP, hose	
		1	2020305 ELBOW, tube	

## REPLACEMENT GLASS

A	2020297	1	GLASS, windshield
B	2020298	1	GLASS, side frame
C	2020299	4	GLASS, side window
D	2020300	1	GLASS, rear window
E	2020301	1	GLASS, upper door
F	2020302	1	GLASS, lower door
-	2020303	10 Ft.	MOLDING, rubber (For Mounting Windows)



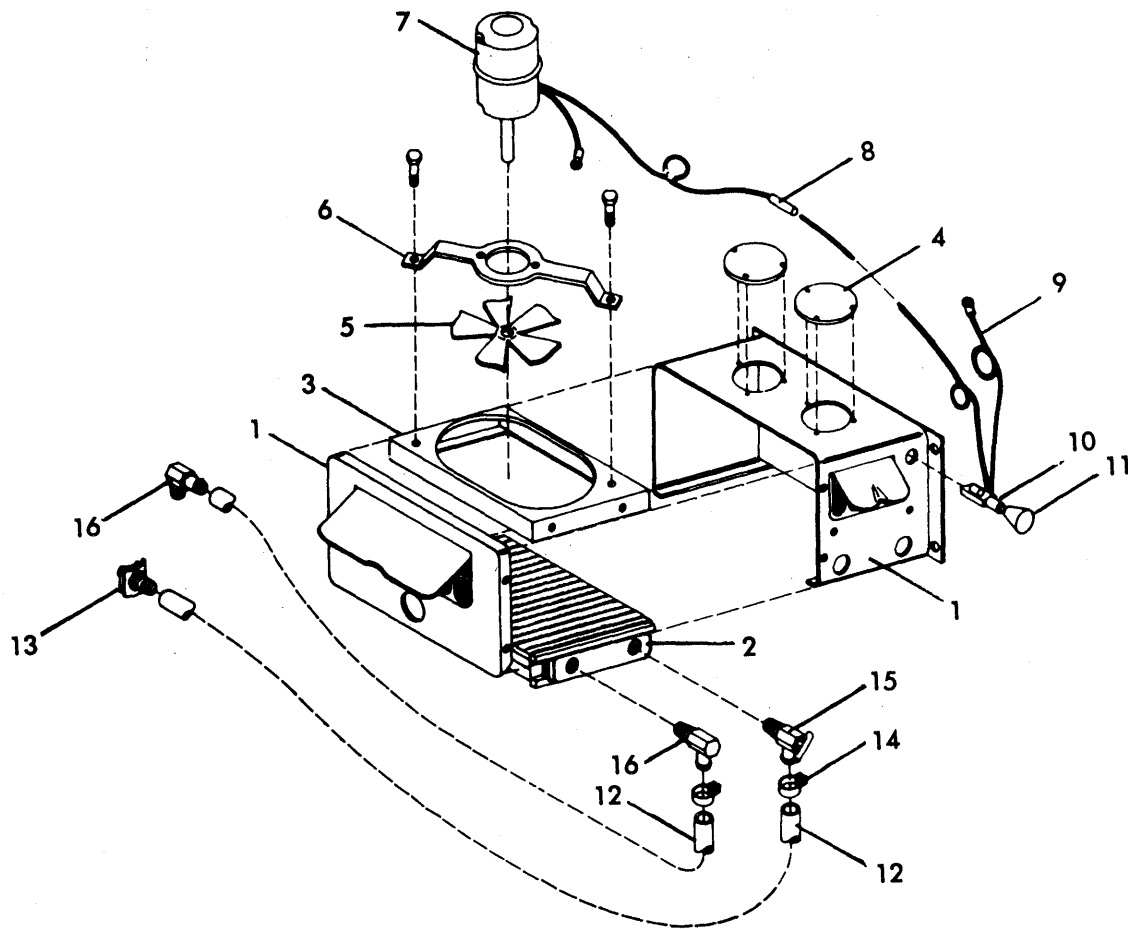
**HEATER**

ITEM	PART NUMBER	QTY	DESCRIPTION	ASSEMBLY OR PACKAGE NO.
1	-----	—	HEATER ASSY., (Incl. Items 2 to 11) (Order from Machinery Price List)	
2	2020406	1	CORE, heater	
3	2020407	1	HOUSING, motor	
4	2020408	1	PLATE, cover	
5	2020409	1	BLADE, fan	
6	2020410	1	MOUNT, motor	
7	2020411	1	MOTOR	
8	2020417	1	FUSE & HOLDER, 20 AMP	
9	-----	1	WIRE, No. 14 ga. (Obtain Locally)	
10	2020412	1	SWITCH, heater	
11	2020413	1	KNOB	
12	-----	2	HOSE, heater, 5/8 " ID x 6' (Obtain Locally)	
13	2020414	1	CONNECTOR, saddle	
14	911300	4	CLAMP, hose	
15	2020415	1	VALVE, weather head (90 degree)	
16	2020416	2	FITTING, 3/8 NPT to 5/8 hose (90 degree)	

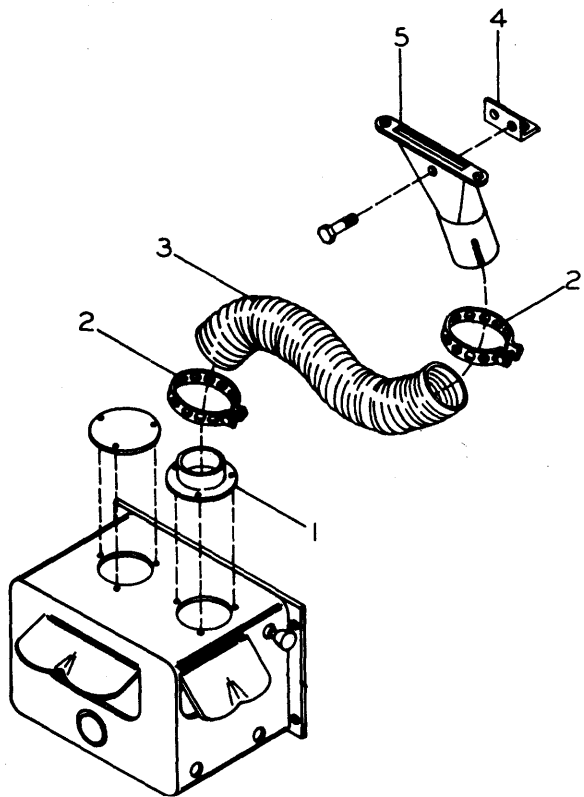
**HEATER & DEFROSTER KIT**

ITEM	PART NUMBER	QTY	DESCRIPTION	ASSEMBLY OR PACKAGE NO.
1	2020419	1	ATTACHMENT, hose	
2	2020420	2	CLAMP, hose	
3	2020421	1	HOSE, defroster	
4	2020422	1	BRACKET, nozzle	
5	2020423	1	NOZZLE, defroster	

HEATER



HEATER & DEFROSTER KIT



## ASSEMBLIES AND PACKAGED PARTS

NUMBER	DESCRIPTION	
239229	KIT, seal	
	1	239182 Seal, oil
	1	239190 Seal, oil ring
	1	239191 Seal, quad-ring
242749	KIT, gear differential	
	2	----- Gear, side differential
247616	SET, transfer for repainting	
	1	924453 Transfer, trademark
	1	228892 Transfer, patent
	1	240646 Transfer, oil pressure engine
247774	KIT, mainshaft & ring gear (Matched Set)	
	1	----- Shaft, main w/bevel pinion
	1	----- Gear, ring, differential
250850	KIT, seal, front wheel	
	1	250849 Sleeve, wear
252562	KIT, lining, disc	
	2	----- Lining, disc
	36	235606 Rivet
253490	KIT, one section seal for gear pump	
	2	245685 Seal, wear plate
	2	250279 Ring, sealing
	2	250280 Ring, back-up
	1	925877 Carton
253511	KIT, mainshaft & ring gear (Matched Set)	
	1	----- Shaft, main w/bevel pinion
254008	KIT, conversion-four pinion differential	
	1	066129 Cup, bearing (L.H.)
	1	253499 Cone, Bearing (L.H.)
	16	253500 Bolt, place
	1	253502 Carrier, differential (L.H.)
	1	253512 Differential Assy.
	1	254338 Breather Assy.
	1	254822 Lever, gear shift
	1	254823 Cap Assy., oil filler
	1	254829 Pinion Assy., w/brg. set & ring gear
	1	923649 O-Ring
	254495	KIT, slide
4		254496 Glide
4		254497 Washer
4		254498 Bolt
4		917356 Washer, 5/16
4		910233 Nut, 5/16 NF

---

**ASSEMBLIES AND PACKAGED PARTS**

<b>NUMBER</b>	<b>DESCRIPTION</b>	
<b>254499</b>	<b>KIT, extension spring</b>	
	1 254506	Spring, extension
	1 254500	Holder, spring
	1 905661	Capscrew, 5/16 NC x 5/8
	1 917356	Washer, lock
	1 917372	Nut, 5/16 NC
<b>1000096</b>	<b>GAUGE, pressure</b>	
<b>1001080</b>	<b>KIT, major seal repair, boom &amp; dipper cyl.</b>	
	1 923815	O-Ring
	1 923824	O-Ring
	1 924153	O-Ring
	1 926624	Washer, back-up
	1 926635	Washer, back-up
	1 2018108	Ring, wiper
	1 2018501	Set, vee
	1 2018503	Spring, wave
	1 2018704	Seal, piston
	2 2018705	Ring, wear
<b>1001198</b>	<b>KIT, boom pivot bearing repair</b>	
	2 914465	Fitting, lube
	2 1041736	Bracket, boom bearing
	2 2018712	Bushing
<b>1002060</b>	<b>KIT, major seal repair, stab. cylinder</b>	
	1 923815	O-Ring
	1 923817	O-Ring
	1 924187	O-Ring
	1 926629	Ring, back-up
	1 1001448	Seal, poly pak
	2 2018092	Ring, wear
	1 2018095	Seal, piston
	1 2018108	Ring, wiper
<b>1002625</b>	<b>KIT, seal swing cushion</b>	
	2 -----	O-Ring
	2 -----	Washer, back-up
	2 -----	O-Ring
	2 -----	Washer, back-up
	2 -----	O-Ring
<b>1003694</b>	<b>SET, transfer for repainting (Use with 247616)</b>	
	1 247493	Transfer, control pattern
	1 249677	Transfer, caution, shuttle clutch
	1 924455	Decal, trademark combined
	2 924457	Decal, trademark combined
	2 1003545	Decal, 918
	2 1004656	Decal, trademark signature
	1 2019971	Operator Inst.- Loader
	1 2020165	Operator Inst.- Backhoe
	2 2020173	Decal, hatched
	2 2020185	Decal, striping

---

**ASSEMBLIES AND PACKAGED PARTS**

<b>NUMBER</b>	<b>DESCRIPTION</b>
<b>1003727</b>	<b>KIT, seal, power steering cylinder</b>
	1 244016 Seal
	2 247035 Ring,wear
	1 247752 Ring, sealing
	1 923570 O-Ring
	1 923575 O-Ring
	1 923577 O-Ring
	1 926616 Ring, back-up
	1 926621 Ring, back-up
<b>2017624</b>	<b>KIT, repair seal for 2020250 section</b>
	1 923645 O-Ring
	4 923719 O-Ring
	1 924003 O-Ring
	1 2017379 Washer, back-up
	2 2017396 Washer, back-up
	1 4997192 O-Ring
<b>2018013</b>	<b>KIT, seal repair for port section</b>
	1 923645 O-Ring
	1 923719 O-Ring
	1 2015539 Washer, back-up
<b>2018169</b>	<b>GAUGE, pressure</b>
<b>2018426</b>	<b>KIT, major seal repair for loader valve</b>
	1 923816 O-Ring
	1 924135 O-Ring
	1 924696 O-Ring
	1 2017235 Seal, piston
	2 2017362 Ring, wiper
	1 2018098 Washer, back-up
	1 2018413 Set, vee
	1 3053637 Ring, wiper
<b>2019981</b>	<b>KIT, major seal repair for dipper cylinder</b>
	1 923815 O-Ring
	1 924153 O-Ring
	1 924192 O-Ring
	1 926635 Washer, back-up
	1 2018108 Ring, wiper
	1 2018501 Set, vee
	1 2018704 Ring, piston
	2 2018705 Ring, wear
<b>2019982</b>	<b>KIT, major seal repair for stabilizer cylinder</b>
	1 923817 O-Ring
	1 924187 O-Ring
	1 924696 O-Ring
	1 926629 Washer, back-up
	2 2018092 Ring, wear
	1 2018095 Seal, piston
	1 2018413 Set,vee
	1 3053637 Ring, wiper

---

**ASSEMBLIES AND PACKAGED PARTS**

<b>NUMBER</b>	<b>DESCRIPTION</b>	
2019996	KIT, major seal repair for bucket cylinder	
	1 923589 O-Ring	
	1 923659 O-Ring	
	1 924192 O-Ring	
	1 926631 Washer, back-up	
	2 1000455 Ring, wear	
	1 2018108 Ring, wiper	
	1 2018501 Set, vee	
2019997	KIT, major seal repair for swing cylinder	
	1 923817 O-Ring	
	1 924187 O-Ring	
	1 924696 O-Ring	
	1 926618 Washer, back-up	
	1 926629 Washer, back-up	
	1 2018092 Ring, wear	
	1 2018095 Seal, piston	
2020102	KIT, repair, port plate	
	1 923566 O-Ring	
	1 923947 O-Ring	
	1 926611 Washer, back-up	
	2020103	KIT, repair seal for 2020083 section
		2 923566 O-Ring
		1 923946 O-Ring
		2 923988 O-Ring
2 926612 Washer, back-up		
1 2020109 Washer, back-up		
2020104	KIT, repair seal for 2020084 section	
	4 923566 O-Ring	
	2 923645 O-Ring	
	1 923946 O-Ring	
	2 923988 O-Ring	
	2 926612 Washer, back-up	
2020105	KIT, repair seal for between sections	
	12 923570 O-Ring	
	8 923663 O-Ring	
	6 923844 O-Ring	
	6 2020091 O-Ring	
	2020106	KIT, major seal repair for backhoe valve
1 921214 O-Ring		
1 923850 O-Ring		
1 2020102 Repair Kit, port plate		
1 2020103 Repair Kit, seal		
4 2020104 Repair Kit, seal		
1 2020105 Repair Kit, between sections		



---

**ASSEMBLIES AND PACKAGED PARTS**

<b>NUMBER</b>	<b>DESCRIPTION</b>
<b>2020116</b>	KIT, repair seal for between sections 2 2017471 Washer, back-up 2 2017530 O-Ring 4 2017531 O-Ring 2 2017532 O-Ring
<b>2020117</b>	KIT, major seal repair for swing valve 1 2017624 Repair Kit, seal 1 2018013 Repair Kit, port 1 2020116 Repair Kit, between
<b>2020132</b>	KIT, repair seal for 2020125 1 923946 O-Ring 1 2020109 Washer, back-up 2 2020130 O-Ring
<b>2020133</b>	KIT, repair seal for end plate 1 923850 O-Ring 1 924416 O-Ring 1 2020131 Washer, back-up
<b>2020134</b>	KIT, major seal repair for loader valve 1 2020102 Repair kit, port plate 1 2020103 Repair kit, seal 1 2020132 Repair kit, seal 1 2020133 Repair kit, end plate 1 2020161 Repair kit, between sections
<b>2020149</b>	KIT, repair seal (Dual Pump) 4 2020150 Ring, seal 4 2020152 Plate, thrust 4 2020154 Gasket, seal 1 3045975 Seal, double lip 2 3046521 Strip, pocket seal
<b>2020161</b>	KIT, repair seal between sections 6 923570 O-Ring 3 923844 O-Ring 2 928241 O-Ring 3 2020091 O-Ring
<b>4021634</b>	KIT, gasket,intermediate 1 226012 Gasket, drain plug 2 254819 Gasket,hydraulic pump cover 1 923684 O-Ring, water pump volute 1 923816 O-Ring,fuel pump adapter 1 923817 O-Ring,hydraulic pump drive 1 923822 O-Ring, water pump mounting 1 4020016 O-Ring, rear plate 1 4020098 Gasket, front plate 1 4020100 Gasket, front cover 1 4020879 O-Ring rear plate 1 4023859 Gasket, inspection cover 1 4025019 Gasket, fuel pump cover 1 4025021 Gasket, filler elbow 1 4025106 Gasket, water inlet pipe 1 4025120 Gasket, filter base

---

**ASSEMBLIES AND PACKAGED PARTS**

<b>NUMBER</b>	<b>DESCRIPTION</b>	
<b>4022051</b>	<b>KIT, gasket,intermediate</b>	
	1	923684 O-Ring, vol. to block
	1	4020016 O-Ring, rear plate
	1	4020098 Gasket, front plate
	1	4020100 Gasket, front cover
	1	4020879 O-Ring, rear plate
	1	4023859 Gasket, inspection cover
	1	4025019 Gasket, fuel pump cover
	1	4025021 Gasket, filler elbow
	1	4025120 Gasket, filler base
	1	4026887 Gasket, pump to vol.
<b>4023824</b>	<b>KIT, gasket, cylinder head</b>	
	1	242095 Gasket, housing
	1	4020076 Gasket, cylinder head cover
	3	4020090 Gasket, exhaust manifold
	1	4021332 Gasket, intake manifold
	1	4022911 Gasket, cylinder head
	1	4025101 Gasket, thermostat housing
	1	4025101 Gasket, outlet flange
	6	4025150 Gasket, injection nozzle
	12	4025385 Shield, dust
<b>4025921</b>	<b>KIT, repair water pump</b>	
	1	----- Bearing & Shaft Assy.
	1	923822 O-Ring, water pump volute
	1	4025067 Impeller Assy.
	1	4025710 Seal Assy.
	1	4054608 Ring, snap

## NUMERICAL INDEX

PART NUMBER	PAGE	PART NUMBER	PAGE	PART NUMBER	PAGE	PART NUMBER	PAGE
0042887-0	56	0228465-1	90, 94	0233634-5	138	0236336-4	36
0061087-3	68	0228509-6	62	0233770-7	74	0236337-2	36
0061088-1	68	0228677-1	62	0234087-5	90	0236340-6	36
0066129-8	66, 146	0228892-6	146	0234357-2	50	0236341-4	36
0073111-7	66	0229210-0	44	0234404-2	50	0236342-2	36
0200479-4	42	0229237-3	60	0234409-1	50, 136, 138	0236514-6	56
0202532-8	54	0229254-8	64	0234692-2	86	0236515-3	56
0203465-0	64	0229261-3	64	0234847-2	36	0236516-1	56
0207152-0	58	0229278-7	56	0235153-4	84	0236517-9	56
0208137-0	82	0229279-5	56	0235154-2	84	0236518-7	56
0208325-1	82	0229328-0	64	0235192-2	60	0236519-5	56
0208960-5	50	0229424-7	58	0235208-6	68	0236520-3	56
0209734-3	96	0229425-4	58	0235209-4	68	0236521-1	56
0209890-3	56	0229456-9	56	0235210-2	68	0236522-9	56
0209899-4	56	0229523-6	58	0235211-0	68	0236523-7	56
0209987-7	84	0229524-4	58	0235253-2	62	0236524-5	56
0211169-8	58, 66	0229525-1	58	0235254-0	62	0236525-2	56
0211999-8	56	0229526-9	58	0235263-1	66	0236526-0	56
0212037-6	58, 66	0229527-7	58	0235268-0	60	0236645-8	66
0217264-1	82	0229542-6	62	0235300-1	68	0236659-9	44
0217491-0	66	0229697-8	68	0235301-9	68	0236750-6	90, 94
0217492-8	66	0229823-0	80	0235306-8	68	0236852-0	66
0223248-6	82	0229856-0	56	0235314-4	68	0237006-2	38
0223255-1	82	0229944-4	60	0235315-9	68	0237134-2	24
0223395-5	58	0230068-9	62	0235316-7	68	0237242-3	66
0223558-8	92	0230170-3	50	0235317-5	68	0237329-8	70
0225265-8	74	0230229-7	64	0235320-9	70	0237946-9	82
0225389-6	54, 60	0230246-1	50	0235328-2	70	0237947-7	82
0225441-5	60	0230253-7	58	0235329-0	70	0238919-5	68
0225608-9	56	0230322-0	54	0235330-8	70	0238935-9	68
0225948-9	60	0230560-5	50	0235338-1	70	0238936-7	68
0225954-7	56	0230636-3	64	0235556-3	68	0238938-3	68
0226012-3	14, 16, 54, 60, 150	0231240-3	36	0235606-1	146	0238939-1	68
0226023-0	64	0231260-1	36	0235614-5	68	0239027-6	84
0226408-3	14, 16	0231265-0	36	0235615-2	68	0239176-1	92
0226572-6	64	0231269-2	36	0235616-0	68	0239177-9	92
0227195-5	50, 64	0231299-9	36	0235677-2	58	0239178-7	92
0227343-1	86, 96, 98	0231318-7	36	0235678-0	58	0239179-5	92
0227463-7	96	0231328-6	36	0235713-5	86	0239180-3	92
0227500-6	56	0231329-4	36	0235900-8	138	0239181-1	92
0227530-3	98	0231339-3	36	0235925-5	58	0239182-9	146
0227617-8	60	0231358-3	36	0235949-5	72	0239188-6	92
0227731-7	74	0231393-0	38	0235951-1	72	0239189-4	92
0228034-5	58	0231851-7	66	0235952-9	72, 84	0239190-2	146
0228208-5	48	0232431-7	18	0236297-8	62, 54	0239191-0	146
0228218-4	74	0232694-0	48	0236304-2	62	0239192-8	146
0228255-9	48	0232788-0	58	0236332-3	36	0239195-1	92
0228426-3	94	0233244-3	54, 98	0236333-1	36	0239196-9	92
0228441-2	90, 94	0233245-0	96	0236334-9	36	0239197-7	92
		0233249-2	54	0236335-6	36	0239215-7	40, 90, 94

## NUMERICAL INDEX

PART NUMBER	PAGE	PART NUMBER	PAGE	PART NUMBER	PAGE	PART NUMBER	PAGE
0239229-8	92, 146	0241887-9	46, 80	0242880-3	54	0243216-9	58
0239305-6	70	0241965-3	50	0242881-1	54	0243217-7	58
0239367-6	64	0241977-8	50	0242882-9	54	0243219-3	58
0239415-3	56	0242038-8	74, 76	0242883-7	54	0243220-1	58
0239416-1	56	0242095-8	24, 151	0242884-5	54	0243224-3	58
0239417-9	56	0242096-6	24	0242885-2	54	0243225-0	58
0239418-7	56	0242132-9	40	0242886-0	54	0243226-8	58
0239419-5	56	0242133-7	40	0242887-8	54	0243228-4	58
0239420-3	56	0242137-8	40	0242888-6	54	0243229-2	58
0239421-1	56	0242143-6	36	0242889-4	54	0243254-0	48
0239422-9	56	0242534-6	84	0242890-2	54	0243256-5	48
0239486-4	138	0242583-3	42, 146	0242891-0	54	0243257-3	48
0239517-6	42	0242703-7	62	0242892-8	54	0243283-9	24
0239717-2	78	0242704-5	62	0242933-0	48	0243287-0	76
0239723-0	88	0242721-9	64	0242957-9	84	0243314-2	40
0239726-3	50	0242722-7	64	0242958-7	84	0243315-9	40
0239932-7	60	0242723-5	64	0242962-9	84	0243321-7	96
0239967-3	38	0242725-0	64	0243009-8	60	0243452-0	42
0240028-1	42	0242726-8	64	0243014-8	44	0243473-6	40
0240436-6	138	0242727-6	64	0243061-9	54	0243495-9	92
0240567-8	82	0242728-4	64	0243163-3	42	0243496-7	92
0240646-0	146	0242749-0	66, 146	0243084-1	48	0243594-9	112
0240834-2	42	0242809-2	38	0243085-8	48	0243716-8	48
0240837-5	50	0242811-8	38	0243092-4	70	0243721-8	90
0240872-2	138	0242812-6	38	0243133-6	70	0243734-1	38
0240988-6	50	0242813-4	38	0243136-9	70	0243760-6	48
0240989-4	50	0242814-2	38	0243137-7	70	0243788-7	38
0241048-8	88	0242815-9	38	0243141-9	70	0243791-1	38
0241083-5	46	0242818-3	38	0243142-7	70	0243792-9	38
0241107-2	86	0242819-1	38	0243145-0	70	0243798-6	76
0241126-2	86	0242822-5	38	0243147-6	70	0243807-5	36
0241127-0	86	0242823-3	38	0243148-4	70	0243811-7	36
0241128-8	86	0242825-8	38	0243150-0	70	0243813-3	36
0241129-6	86	0242826-6	38	0243151-8	70	0243814-1	36
0241130-4	86	0242828-2	38	0243152-6	70	0243817-4	36
0241131-2	86	0242829-0	38	0243153-4	70	0243818-2	36
0241134-6	86	0242831-6	38	0243157-5	42	0243819-0	36
0241135-3	86	0242835-7	38	0243158-3	64	0243820-8	36
0241138-7	86	0242836-5	38	0243159-1	64	0243826-5	36
0241249-2	20	0242837-3	38	0243164-1	42	0243827-3	36
0241297-1	36	0242838-1	38	0243166-6	42	0243828-1	36
0241309-4	36	0242839-9	38	0243168-2	42	0243829-9	36
0241335-9	36	0242840-7	38	0243170-8	42	0243830-7	36
0241344-1	36	0242842-3	38	0243175-7	42	0243831-5	36
0241346-6	36	0242845-6	38	0243190-6	72	0243832-3	36
0241347-4	36	0242874-6	54	0243199-7	72	0243834-9	36
0241350-8	36	0242875-3	54	0243207-8	90	0243837-2	36
0241369-8	36	0242877-9	54	0243210-2	74	0243903-2	46
0241391-2	86	0242878-7	54	0243213-6	58	0243986-7	40
0241522-2	82	0242879-5	54	0243214-4	58	0243987-5	40

## NUMERICAL INDEX

PART NUMBER	PAGE	PART NUMBER	PAGE	PART NUMBER	PAGE	PART NUMBER	PAGE
0244016-2	92, 148	0244904-9	56	0246526-8	60	0247077-1	42
0244019-6	92	0244905-6	56	0246527-6	60	0247086-2	24
0244133-5	60	0244906-4	56	0246528-4	60	0247263-7	96
0244134-3	60	0244907-2	56	0246529-2	60	0247264-5	96
0244135-0	60	0244908-0	56	0246530-0	60	0247266-0	96
0244136-8	60	0244994-0	50	0246531-8	60	0247270-2	96
0244137-6	60	0245164-9	54	0246532-6	60	0247271-0	96
0244138-4	60	0245244-9	50	0246533-4	60	0247275-1	96
0244139-2	60	0245417-1	94	0246534-2	60	0247276-9	88
0244140-0	60	0245452-8	40	0246535-9	60	0247280-1	88
0244142-6	60	0245458-5	74	0246536-7	60	0247303-1	90
0244143-4	62	0245461-9	74	0246537-5	60	0247306-4	94
0244144-2	62	0245466-8	74	0246538-3	60	0247318-9	74
0244145-9	62	0245479-1	74	0246539-1	60	0247319-7	74
0244146-7	62	0245480-9	74	0246540-9	62	0247320-5	74
0244147-5	62	0245498-1	74	0246541-7	62	0247324-7	74
0244148-3	62	0245502-0	74	0246542-5	62	0247332-0	86
0244149-1	62	0245512-9	74	0246543-3	62	0247355-1	84
0244150-9	62	0245513-7	74	0246544-1	62	0247398-1	96
0244151-7	62	0245517-8	74	0246545-8	62	0247411-2	56
0244152-5	62	0245518-6	74	0246555-7	64	0247412-0	54
0244153-3	62	0245549-1	60	0246557-3	64	0247413-8	56
0244154-1	62	0245558-2	138	0246558-1	64	0247443-5	84
0244155-8	62	0245562-4	138	0246559-9	68	0247493-0	112, 147
0244162-4	62	0245571-5	50	0246561-5	68	0247548-1	68
0244167-3	66	0245665-5	70	0246562-3	68	0247571-3	76
0244168-1	66	0245685-3	146	0246563-1	68	0247572-1	76
0244169-9	66	0245720-8	138	0246564-9	68	0247576-2	74
0244195-4	62	0245846-1	88	0246570-6	62	0247579-6	74
0244237-4	92	0245848-7	88	0246619-1	62	0247602-6	46
0244343-0	24	0245930-3	54	0246681-1	72	0247616-6	46, 50, 78, 112, 146
0244614-4	96	0246134-1	88	0246710-8	46	0247621-6	74
0244616-9	96	0246227-3	136	0246717-3	46	0247626-5	64
0244619-3	96	0246235-6	86	0246720-7	82	0247675-2	92
0244635-9	28	0246251-3	38	0246721-5	138	0247682-8	46
0244885-0	56	0246318-0	98	0246722-3	48	0247686-9	80
0244886-8	56	0246319-8	98	0246790-0	84	0247688-5	82
0244889-2	56	0246320-6	98	0246846-0	72	0247689-3	82
0244891-8	54	0246321-4	98	0246847-8	72	0247691-9	80
0244893-4	56	0246324-8	98	0246848-6	72	0247693-5	80
0244894-2	56	0246325-5	98	0246854-4	76	0247742-0	76
0244895-9	56	0246326-3	98	0246855-1	76	0247752-9	148
0244896-7	56	0246355-2	50	0247000-3	64	0247774-3	60, 66, 146
0244897-5	56	0246398-2	62	0247023-5	46	0247775-0	46
0244898-3	56	0246518-5	62	0247024-3	46	0247810-5	88
0244899-1	56	0246521-9	60	0247033-4	92	0247812-1	44
0244900-7	56	0246522-7	60	0247035-9	92, 148	0247821-2	78
0244901-5	56	0246523-5	60	0247037-5	92	0247825-3	78
0244902-3	56	0246524-3	60	0247039-1	96		
0244903-1	56	0246525-0	60	0247065-6	72		

## NUMERICAL INDEX

PART NUMBER	PAGE	PART NUMBER	PAGE	PART NUMBER	PAGE	PART NUMBER	PAGE
0247826-1	78	0250279-7	146	0250955-2	46	0252145-5	20
0247827-9	78	0250280-5	146	0250968-5	44	0252359-5	46
0247830-3	78	0250285-4	80	0250970-1	46	0252360-3	46
0247831-1	78	0250286-2	80	0250972-7	44	0252410-6	50
0247972-3	84	0250331-6	86	0251421-4	76	0252422-1	46
0247990-5	98	0250357-1	86	0251422-2	76	0252427-0	52
0247991-3	98	0250358-9	86	0251423-0	76	0252436-1	56
0248037-4	96	0250360-5	86	0251424-8	76	0252471-8	48
0248042-4	58	0250390-2	68	0251426-3	76	0252477-5	58
0248046-5	58	0250393-6	68	0251428-9	42	0252478-3	138
0248085-3	54	0250435-5	68	0251436-2	42	0252479-1	64
0248112-5	50	0250446-2	68	0251437-0	54	0252480-9	64
0248164-6	58	0250599-8	38	0251438-8	56	0252483-3	72
0248233-9	44	0250633-5	90	0251439-6	56	0252484-1	64
0248234-7	80	0250640-0	68	0251490-9	74	0252485-8	64
0248245-3	60	0250688-9	78	0251493-3	74	0252486-6	64
0248405-3	54	0250689-7	78	0251494-1	74	0252515-2	138
0248430-1	24	0250690-5	78	0251572-4	88	0252557-4	68
0248433-5	68	0250721-8	80	0251615-1	50	0252559-0	68
0248465-7	72	0250722-6	80	0251689-6	138	0252562-4	68, 146
0248474-9	74	0250723-4	72	0251693-8	84	0252563-2	68
0248475-6	74	0250730-9	44	0251694-6	136, 138	0252569-9	96
0248478-0	74	0250738-2	94	0251695-3	136, 138	0252571-5	96
0248481-4	66	0250739-0	94	0251704-3	46	0252572-3	96
0248491-3	54	0250742-4	94	0251712-6	50, 138	0252641-6	96
0248499-6	80	0250745-7	90	0251736-5	94	0252838-8	98
0248605-8	86	0250746-5	94	0251738-1	94	0252839-6	98
0248882-3	42	0250747-3	94	0251744-9	92	0252942-8	84
0248890-6	56	0250748-1	94	0251752-2	90	0252953-5	94
0249258-5	80	0250750-7	94	0251753-0	90	0253003-8	84
0249315-3	44	0250751-5	76	0251754-8	90	0253004-6	84
0249434-2	42	0250755-6	76	0251755-5	90	0253005-3	84
0249505-9	92	0250757-2	76	0251756-3	90	0253008-7	84
0249522-4	98	0250760-6	90, 94	0251757-1	90	0253009-5	84
0249645-3	60	0250848-9	84	0251758-9	90	0253011-1	84
0249677-6	147	0250849-7	146	0251761-3	46	0253014-5	84
0249715-4	70	0250850-5	84, 146	0251763-9	46	0253021-0	66
0249767-5	66	0250852-1	68	0251786-0	86	0253059-0	74, 76
0249787-3	40	0250853-9	68	0251787-8	86	0253089-7	100
0249788-1	40	0250854-7	84	0251789-4	86	0253090-5	100
0249898-9	24	0250855-4	72	0251793-6	138	0253091-3	100
0249908-5	42	0250857-0	146	0251838-9	96	0253092-1	100
0249928-3	38	0250886-9	54	0251860-3	74	0253093-9	100
0249934-1	88	0250893-5	68	0251863-7	78	0253094-7	100
0249980-4	68	0250896-8	38	0251885-0	42	0253274-5	56
0250003-1	68	0250935-4	96	0251886-8	42	0253308-1	42
0250009-8	20	0250941-2	44	0251887-6	42	0253320-6	50
0250133-6	96	0250942-0	44	0252095-5	64	0253321-4	50
0250134-4	96	0250954-5	46	0252096-3	64	0253322-2	50
0250245-8	24			0252126-8	92	0253376-8	84

## NUMERICAL INDEX

PART NUMBER	PAGE	PART NUMBER	PAGE	PART NUMBER	PAGE	PART NUMBER	PAGE
0253377-6	84	0333944-7	84	0904209-4	60, 64, 102, 112	0910869-7	138
0253490-7	86, 146	0344018-7	110	0904369-6	46, 112	0910880-4	26, 74, 80, 126
0253499-8	66, 146	0624427-1	56	0905126-9	10	0910890-3	70
0253500-3	66, 146	0627265-2	92	0905263-0	112	0910916-6	112
0253502-9	66	0629123-1	42	0905274-7	98	0910919-0	28
0253511-0	60, 66, 146	0640658-1	42	0905360-4	64	0910923-2	46
0253512-8	66, 146	0669277-6	38	0905371-1	68	0910948-9	20
0253513-6	66	0800449-1	54	0905660-7	74	0911064-4	10
0253515-1	66	0900800-4	128	0905661-5	147	0911072-7	98
0253517-7	66	0900801-2	68, 70	0905664-9	26	0911114-7	74, 88
0253518-5	66	0900802-0	74, 116, 128	0905845-4	8	0911115-4	74
0253519-3	66	0900805-3	68, 70	0906938-6	50	0911293-9	42
0253520-1	66	0900806-1	74, 92, 116, 128	0906957-6	32, 34	0911300-2	144
0253521-9	66	0900808-7	84	0907059-2	6	0911325-9	118, 130, 132, 134
0254008-6	66, 146	0900812-9	70	0907072-3	60	0911435-6	10
0254303-1	46	0900824-4	122	0907727-2	24, 40, 76	0911437-2	10
0254304-9	46	0900970-5	46, 74, 76	0907893-2	50	0911711-0	130
0254328-8	46	0901651-0	24	0908127-4	136, 142	0911986-8	22
0254338-7	60, 146	0901652-8	112	0908295-9	140	0912069-2	14
0254392-4	94	0901682-5	104	0909055-6	28, 50, 82	0912184-9	126
0254407-0	50	0901842-5	94	0909589-4	50	0912187-2	104
0254418-7	80	0902071-0	94	0910001-7	36	0912231-8	92
0254455-9	48	0903584-1	36	0910017-3	60	0912235-9	118, 132, 134
0254492-2	78	0903625-2	112	0910092-6	138	0912267-2	48
0254493-0	78	0903629-4	70, 74, 96	0910123-9	16, 26, 30, 116, 128	0912301-9	54, 56, 76
0254494-8	78	0903630-2	74, 112	0910124-7	112	0912318-3	70
0254495-5	78, 146	0903632-8	76	0910126-2	52	0912397-7	110
0254496-3	146	0903634-4	102	0910148-6	84	0912415-7	6
0254497-1	146	0903637-7	102, 104	0910174-2	112	0912609-5	68
0254498-9	146	0903638-5	60	0910175-9	112	0912624-4	84
0254499-7	78, 147	0903641-9	92	0910224-5	32	0912808-3	92
0254500-2	147	0903643-5	60, 102	0910230-2	36	0912840-6	92
0254506-9	78, 147	0903772-2	138	0910231-0	96	0913160-8	124
0254598-6	52	0903775-5	94, 96	0910233-6	146	0913474-3	52
0254674-5	92	0903792-0	102	0910244-3	48	0913536-9	10
0254679-4	72, 84	0904203-7	138	0910251-8	138	0913540-1	48
0254694-3	92	0904204-5	18, 26, 80, 126	0910255-9	46	0913544-3	14, 16, 20, 80
0254819-6	16, 150	0904205-2	6, 14, 16, 22, 24, 26, 36, 74, 102, 112	0910259-1	84	0913611-0	104
0254822-0	64, 146	0904206-0	6, 10, 12, 14, 16, 20, 40, 64, 70, 74, 94, 96, 102, 110, 112	0910308-6	102	0913619-3	104
0254823-8	146			0910323-5	74, 102, 138	0913717-5	48
0254829-5	146			0910324-3	70, 74, 94, 102	0913730-8	86
0254896-4	44			0910325-0	102, 124	0913842-1	96
0255046-5	60			0910329-2	70, 74	0913888-4	90
0255210-7	54			0910510-7	46	0913958-5	116, 128
0289583-7	52			0910511-5	128	0914007-0	36
0289673-6	134	0904207-8	16, 20, 28, 108, 104, 106	0910543-8	50		
0289674-4	134			0910815-0	98		
0289675-1	134	0904208-6	8, 46, 54, 60, 62, 66, 68, 98, 102, 104, 124, 138				
0323297-2	56						

## NUMERICAL INDEX

PART NUMBER	PAGE	PART NUMBER	PAGE	PART NUMBER	PAGE	PART NUMBER	PAGE
0914198-7	86	0916340-3	120, 122, 126	0917443-4	38	0919183-4	80
0914378-5	80	0916374-2	112	0917452-5	74	0919191-7	104
0914392-6	16, 24, 86	0916384-1	20	0917481-4	78	0919206-3	94
0914465-0	84, 100, 112, 114, 118, 120, 122, 124, 126, 130, 132, 134, 147	0916393-2	58	0917497-0	94	0919224-6	10, 14, 20
0914498-1	16, 20, 28	0916428-6	124	0917535-7	14	0919227-9	14
0914626-7	10	0916621-6	36, 42	0917547-2	6	0919228-7	20
0914847-9	14, 70	0916622-4	24, 40, 76, 90, 94	0917567-0	94	0919230-3	8
0914889-1	80	0916768-5	16	0917642-1	40, 46, 80, 88, 142	0919232-9	68
0914929-5	104, 112, 114, 122, 124, 126	0916872-5	74	0917645-4	116	0919236-0	112, 120, 122
0915011-1	92	0916880-8	50	0917646-2	70, 74	0919269-1	14
0915270-3	68	0916896-4	84	0917664-5	70, 74, 116, 128	0919317-8	140, 142
0915289-3	64	0916950-9	24, 40, 44, 46, 70, 72, 76, 78, 136	0917730-4	88	0919318-6	42
0915315-6	112, 120, 122, 124, 126	0916951-7	40, 46, 48, 78, 138	0917772-6	112	0919319-4	42, 48
0915406-3	18	0916954-1	142	0917776-7	118, 122, 132	0919332-7	68, 124
0915408-9	14	0916956-6	52	0917778-3	130, 134	0919355-8	36
0915482-4	64	0916964-0	24, 40, 72, 76, 90	0917791-6	116	0919357-4	24, 40, 44, 76
0915500-3	70	0916965-7	24, 36, 40, 44, 46, 48, 70, 72, 76, 78, 90, 94, 136	0917806-2	26	0919358-2	90
0915711-7	18	0916966-5	40, 46, 48, 66, 70, 72, 78, 80, 100	0917807-0	28	0919391-3	48
0915771-2	96	0917021-8	8	0917809-6	26	0919414-3	140, 142
0915809-0	6, 16	0917127-3	54	0917810-4	28	0919423-4	136, 138
0915813-4	14, 16	0917278-4	36	0918128-0	114, 118, 132	0919438-2	46, 74
0915905-4	58	0917351-9	80	0918228-8	44, 76, 78	0919441-6	140
0915906-2	64	0917356-8	40, 42, 46, 48, 78, 80, 88, 138, 146, 147	0918237-9	26	0919443-2	58
0915921-1	74	0917365-9	36, 42, 82	0918249-4	140	0919547-0	96
0915935-1	76	0917372-5	42, 46, 48, 78, 80, 88, 112, 147	0918265-0	42, 74	0919761-7	18
0915967-4	122	0917376-6	50	0918266-8	44, 46, 78	0919800-3	26, 80
0915987-2	102	0917377-4	40, 90, 94	0918308-8	80	0919840-9	6
0916021-9	112	0917378-2	94	0918309-6	44	0919933-2	140
0916022-7	122, 126	0917379-0	136	0918395-5	16	0920263-1	78
0916080-5	42	0917384-0	42	0918403-7	128	0920279-7	28
0916159-7	42	0917385-7	38	0918416-9	70	0920280-5	28
0916197-7	16, 20, 28	0917388-1	28	0918431-8	46	0920282-1	48
0916202-5	70	0917389-9	50	0918617-2	92	0920328-2	48, 60, 100
0916227-2	68	0917390-7	72	0918683-4	62, 66	0920333-2	20
0916253-8	28	0917397-2	112, 140	0918850-9	6	0920415-7	46, 96
0916268-6	12	0917415-2	82	0918851-7	12	0920416-5	6, 20, 88
0916269-4	40, 54, 56, 96			0918875-6	40	0920426-4	112
0916271-0	14, 16, 20			0918887-1	54, 86, 110	0920428-0	136, 138
0916272-8	6			0919002-6	96	0920433-0	28, 80
0916273-6	14, 56			0919005-9	28	0920539-4	60
0916275-1	114			0919015-8	20	0920548-5	80
0916325-4	124			0919063-8	90, 96	0920549-3	64
0916330-4	68			0919066-1	94	0920574-1	54
				0919072-9	96	0920584-0	54
				0919089-3	60	0920585-7	54
				0919134-7	6, 22, 28	0920613-7	112, 114, 122, 124, 126
				0919135-4	90		
				0919151-1	44, 46		



## NUMERICAL INDEX

PART NUMBER	PAGE	PART NUMBER	PAGE	PART NUMBER	PAGE	PART NUMBER	PAGE
0920655-8	26	0922131-8	36	0923684-5	20, 150, 151	0925100-0	58
0920662-4	98	0922186-2	120	0923690-2	52	0925200-8	96
0920754-9	76	0922195-3	102	0923701-7	96	0925285-9	40
0921024-6	46, 80	0922246-4	116	0923719-9	110, 126, 148	0925399-8	94
0921118-6	102	0922457-7	90	0923737-1	90	0925425-1	138
0921143-4	80	0922464-3	6	0923780-1	68	0925426-9	68
0921160-8	88	0922465-0	70	0923788-4	44	0925618-1	94
0921176-4	68, 70, 78	0922507-9	126	0923815-5	130, 132, 147, 148	0925721-3	92
0921203-6	104	0922518-6	46	0923816-3	118, 148, 150	0925877-3	146
0921205-1	102, 104, 122, 126	0922544-2	44	0923817-1	16, 132, 147, 148, 149, 150	0926115-7	94
0921206-9	102, 104, 120, 124	0922714-1	74, 76	0923822-1	20, 150, 151	0926126-4	68
0921210-1	36, 48, 70, 72	0922753-9	20	0923824-7	130, 147	0926563-8	80
0921214-3	102, 108, 149	0922826-3	138	0923844-5	106, 108, 149, 150	0926611-5	106, 108, 149
0921215-0	102	0922837-0	90, 94	0923848-6	126	0926612-3	106, 108, 149
0921216-8	108	0922844-6	52	0923850-2	104, 106, 150	0926616-4	92, 148
0921217-6	102, 120	0922877-6	80	0923919-5	46	0926618-0	132, 149
0921221-8	46	0922918-8	40	0923934-4	28	0926621-4	92, 148
0921228-3	102	0922920-4	46, 76	0923946-8	106, 108, 149, 150	0926624-8	130, 147
0921244-0	102	0922947-7	116, 128	0923947-6	106, 108, 149	0926629-7	132, 147, 148, 149
0921258-0	104	0922981-6	104, 122	0923950-0	149	0926631-3	134, 149
0921331-5	18	0923087-1	116, 128	0923978-1	90	0926635-4	130, 147, 148
0921332-3	46, 78, 80	0923114-3	40, 46, 78	0923981-5	28	0927111-5	14
0921333-1	88	0923141-6	88	0923988-0	106, 108, 149	0927450-7	26
0921349-7	90, 96, 124, 126	0923191-1	72, 78	0924003-7	110, 148	0927974-6	96, 98
0921402-4	126	0923302-2	76	0924047-4	44	0928241-9	150
0921409-9	90, 124, 126	0923329-7	140	0924066-4	66	1000090-9	118
0921472-7	90	0923334-7	92	0924070-6	84	1000096-6	147
0921504-7	94	0923337-0	92	0924132-4	88	1000157-6	132
0921525-2	44	0923341-2	90, 94	0924135-7	118, 148	1000252-5	132
0921534-4	80	0923347-9	40	0924153-0	130, 147, 148	1000253-3	134
0921539-3	14	0923392-5	124	0924187-8	132, 147, 148, 149	1000455-4	134, 149
0921871-0	56	0923422-0	140, 142	0924192-8	134, 148, 149	1000856-3	124
0921874-4	92	0923535-9	58	0924307-2	122	1000913-2	118
0921885-0	90	0923563-1	126	0924332-0	128	1001055-1	120, 130
0921911-4	12	0923565-6	96	0924416-1	106, 150	1001059-3	120, 130
0921912-2	102	0923566-4	106, 108, 149	0924425-2	80	1001062-7	130
0921913-0	44, 94, 102	0923567-2	86	0924453-4	146	1001064-3	130
0921914-8	42, 142	0923570-6	92, 106, 108, 148, 149, 150	0924455-9	112	1001065-0	130
0921915-5	24	0923575-5	92, 148	0924457-5	147	1001067-6	130
0921933-8	24	0923577-1	92, 148	0924696-8	118, 132, 148, 149	1001080-9	130, 147
0921962-7	88	0923578-9	102	0924772-7	110	1001198-9	120, 147
0921965-0	46, 94	0923589-6	134, 149	0924774-3	108	1001259-9	132
0921967-6	14	0923645-6	108, 110, 148, 149	0924817-0	138	1001274-8	130
0922014-6	64	0923649-8	64, 146			1001439-7	134
0922130-0	86	0923659-7	134, 149				
		0923663-9	96, 108, 149				

## NUMERICAL INDEX

PART NUMBER	PAGE	PART NUMBER	PAGE	PART NUMBER	PAGE	PART NUMBER	PAGE
1001440-5	134	1142671-6	38	2018092-3	132, 147, 148,	2018757-1	122
1001445-4	132	1142677-3	38		149	2018758-9	120
1001447-0	132	2014647-8	116, 128	2018095-6	132, 147, 148,	2018760-5	126
1001448-8	132, 147	2014828-4	106, 108		149	2018761-3	126
1001542-8	112	2014883-9	106	2018098-0	118, 148	2018762-1	122
1001639-2	140	2014976-1	126	2018108-7	130, 132, 134,	2018763-9	120
1001640-0	140	2015527-1	106, 108		147, 148, 149	2018767-0	120
1001641-8	140	2015539-6	110, 148	2018314-1	108	2018776-1	128
1002016-2	124	2015543-8	106, 108	2018315-8	108	2018779-5	128
1002049-3	124	2016341-6	108	2018365-3	130	2018780-3	128
1002050-1	124	2016374-7	128	2017379-4	148	2018781-1	128
1002052-7	124	2016767-2	110	2018393-5	114, 118, 122,	2018790-2	128
1002055-0	124, 132	2016768-0	110		126, 132, 134	2018791-0	128
1002056-8	132	2016769-8	110	2018402-4	114, 118, 122,	2018792-8	124
1002060-0	132, 147	2016770-6	110		132	2018793-6	102
1002146-7	124	2016771-4	110	2018411-5	118, 132	2018794-4	126
1002256-4	124	2016774-8	110	2018412-3	118, 132	2018796-9	120
1002500-5	126	2016775-5	110	2018413-1	132, 118, 148,	2018797-7	120
1002624-3	126	2016776-3	110		149	2018798-5	122
1002625-0	126, 147	2016777-1	110	2018417-2	110	2018800-9	104
1002626-8	126	2016778-9	110	2018418-0	110	2018801-7	122
1003011-2	84	2016779-7	110	2018426-3	118, 148	2018810-8	102
1003012-0	84	2016780-5	110	2018501-3	130, 134, 147,	2018815-7	116
1003519-4	94	2017235-9	118, 148		148, 149	2018818-1	114
1003522-8	94	2017287-0	126	2018502-1	130, 134	2018820-7	120
1003524-4	94	2017288-8	126	2018503-9	130, 134, 147	2018821-5	120
1003525-1	94	2017311-8	124	2018689-6	132	2018852-0	104
1003545-9	112, 147	2017362-1	118, 148	2018690-4	132	2018886-8	120
1003580-6	84	2017378-7	110	2018692-0	132	2018897-5	112
1003604-4	84	2017379-5	110	2018695-3	124, 132	2018926-2	110
1003606-9	84	2017380-3	108, 110	2018696-1	132	2018949-4	102
1003609-3	94	2017381-1	110	2018697-9	132	2018954-4	102
1003610-1	94	2017382-9	110	2018704-3	130, 147, 148	2018962-7	102
1003620-0	56	2017396-9	110	2018705-0	130, 147, 148	2018964-3	120
1003645-7	46	2017471-0	110, 150	2018707-6	130	2018999-9	126
1003694-5	147	2017530-3	110, 150	2018712-6	120, 122, 147	2019001-3	126
1003727-3	92, 148	2017531-1	110, 150	2018714-2	122	2019055-9	110
1003728-1	78	2017532-9	110, 150	2018715-9	122	2019182-1	108
1004656-3	147	2017624-4	110, 148,	2018716-7	126	2019291-0	104
1006290-9	124		150	2018717-5	126	2019315-7	128
1006432-7	104, 110	2017635-0	114	2018719-1	114	2019317-3	116, 128
1007060-5	110	2017636-8	114	2018724-1	112	2019319-9	116, 128
1007070-4	84	2017642-6	102	2018725-8	116	2019400-7	104
1041736-8	147	2017702-8	112	2018726-6	112, 114	2019403-1	102
1043393-6	134	2017752-3	112	2018744-9	104	2019404-9	102
1043394-4	134	2017929-7	114, 124,	2018751-4	112	2019406-4	118
1043395-1	134		126, 130	2018753-0	112, 122	2019407-2	118
1142668-2	38	2017942-0	112	2018754-8	126	2019408-0	118
1142669-0	38	2017944-6	120	2018755-5	122	2019409-8	118
1142670-8	38	2018013-9	110, 148, 150	2018756-3	120	2019410-6	118

## NUMERICAL INDEX

PART NUMBER	PAGE	PART NUMBER	PAGE	PART NUMBER	PAGE	PART NUMBER	PAGE
2019411-4	118	2019606-9	112, 126	2019977-4	132	2020127-3	106
2019412-2	118	2019607-7	114	2019978-2	132	2020128-1	106
2019413-0	118	2019610-1	102	2019979-0	118	2020129-9	106
2019414-8	118	2019611-9	128	2019981-6	148	2020130-7	106, 150
2019415-5	118	2019612-7	128	2019982-4	132, 148	2020131-5	106, 150
2019416-3	118	2019613-5	128	2019983-2	134	2020132-3	106, 150
2019478-3	132	2019614-3	128	2019984-0	134	2020133-1	106, 150
2019519-4	112	2019615-0	128	2019989-9	122, 134	2020134-9	106, 150
2019520-2	112	2019616-8	128	2019990-7	134	2020135-6	100
2019521-0	112	2019617-6	128	2019991-5	134	2020136-4	100
2019534-3	114	2019619-2	132	2019994-9	132	2020138-0	100
2019540-0	114	2019622-6	112	2019995-6	134, 149	2020139-8	100
2019555-8	114	2019623-4	112	2019996-4	134, 149	2020140-6	100
2019556-6	104	2019625-9	112	2019997-2	132, 149	2020141-4	100
2019557-4	104	2019627-5	132	2019999-8	132	2020142-2	100
2019558-2	104	2019636-6	124	2020000-2	126	2020143-0	100
2019559-0	104	2019641-6	104	2020001-0	126	2020144-8	100
2019560-8	102	2019642-4	134	2020083-8	106, 108	2020145-5	100
2019561-6	102	2019643-2	134	2020084-6	108	2020146-3	100
2019562-4	104	2019644-0	134	2020086-1	106, 108	2020147-1	100
2019563-2	104	2019669-7	124	2020087-9	106, 108	2020148-9	100
2019564-0	102	2019672-1	124	2020088-7	106, 108	2020149-7	100, 150
2019565-7	102	2019700-0	112	2020091-1	106, 108, 149, 150	2020150-5	100, 150
2019566-5	104	2019701-8	112	2020092-9	108	2020152-1	100, 150
2019567-3	104	2019819-8	102	2020094-5	108	2020154-7	100, 150
2019572-3	114	2019820-6	102	2020095-2	106, 108	2020155-4	100
2019573-1	114	2019821-4	102	2020096-0	106, 108	2020156-2	100
2019577-2	114	2019846-1	128	2020097-8	106, 108	2020157-0	100
2019578-0	114	2019848-7	116	2020098-6	108	2020158-8	100
2019579-8	114	2019850-3	116	2020099-4	106, 108	2020159-6	100
2019580-6	116	2019851-1	116	2020100-0	106, 108	2020160-4	100
2019581-4	116	2019852-9	126	2020101-8	106, 108, 150	2020161-2	106
2019582-2	114	2019853-7	126	2020102-6	106, 108, 149, 150	2020165-3	112, 147
2019584-8	116	2019854-5	126	2020103-4	106, 108, 140, 150	2020166-1	136
2019585-5	116	2019855-2	104	2020104-2	108, 149	2020173-7	122, 147
2019586-3	116, 128	2019870-1	126	2020105-9	108, 149	2020185-1	112, 147
2019587-1	116	2019889-1	138	2020106-7	108, 149	2020219-8	100
2019588-9	116	2019891-7	104	2020107-5	106, 108	2020250-3	110
2019589-7	124	2019898-2	114	2020108-3	106, 108	2020261-0	140
2019590-5	124	2019901-4	114	2020109-1	106, 108, 149, 150	2020262-8	140
2019591-3	124	2019907-1	126	2020114-1	104	2020263-6	140
2019592-1	124	2019962-6	136	2020115-8	110	2020264-4	140
2019593-9	102	2019963-4	136	2020116-6	110, 150	2020265-1	140
2019594-7	104	2019964-2	136	2020117-4	110, 150	2020266-9	140
2019595-4	104	2019965-9	136	2020125-7	106	2020267-7	140
2019596-2	102	2019966-7	136	2020126-5	106	2020268-5	140
2019597-0	102	2019968-3	138			2020269-3	140
2019598-8	124	2019969-1	138			2020270-1	140
2019599-6	124	2019970-9	138			2020271-9	140
2019601-0	124	2019971-7	112, 147			2020272-7	140

## NUMERICAL INDEX

PART NUMBER	PAGE	PART NUMBER	PAGE	PART NUMBER	PAGE	PART NUMBER	PAGE
2020273-5	140	3007120-3	68	4020382-0	6	4021804-2	22
2020274-3	140	3010653-8	104	4020408-7	12	4021901-6	10
2020275-0	140	3013847-3	104	4020494-3	12	4021905-7	10
2020276-8	140	3013848-1	104	4020536-1	12	4021969-3	8
2020277-6	140	3013850-7	104	4020537-9	6	4022051-9	6, 8, 14, 16, 20, 151
2020278-4	140	3013852-3	104	4020538-7	6	4022078-2	12
2020279-2	140	3038547-0	52	4020539-5	6	4022082-4	10
2020280-0	140	3045975-4	100, 150	4020540-3	6	4022083-2	8
2020281-8	140	3045977-0	100	4020652-6	22	4022084-0	8
2020282-6	140	3046521-5	100, 150	4020665-8	6	4022085-7	8
2020283-4	140	3053637-9	118, 148, 132, 149	4020683-1	10	4022086-5	8
2020284-2	142			4020696-3	28	4022087-3	8
2020285-9	142	4020002-4	8	4020724-3	26	4022088-1	8
2020286-7	142	4020007-3	14	4020725-0	26	4022089-9	10
2020287-5	142	4020009-9	16	4020739-1	10	4022090-7	10
2020288-3	140	4020016-4	8, 150, 151	4020813-4	12	4022091-5	10
2020289-1	140	4020017-2	22	4020848-0	20	4022092-3	10
2020290-9	142	4020049-5	10	4020879-5	8, 150, 151	4022093-1	10
2020291-7	142	4020056-0	18	4021022-1	16	4022094-9	8
2020292-5	142	4020058-6	18	4021152-6	20	4022095-6	8
2020293-3	142	4020059-4	18	4021187-2	20	4022096-4	8
2020294-1	142	4020061-0	18	4021227-6	26	4022098-0	8
2020295-8	142	4020062-8	18	4021233-4	20	4022099-8	8
2020297-4	142	4020063-6	18	4021234-2	20	4022100-4	8
2020298-2	142	4020064-4	18	4021235-9	20	4022101-2	8
2020299-0	142	4020076-8	12, 151	4021237-5	20	4022103-8	8
2020300-6	142	4020080-0	12	4021328-2	14	4022104-6	8
2020301-4	142	4020082-6	12	4021332-4	22, 151	4022105-3	8
2020302-2	142	4020089-1	22	4021346-4	26	4022106-1	8
2020303-0	142	4020090-9	22, 151	4021347-2	26	4022108-7	8
2020304-8	142	4020098-2	14, 150, 151	4021348-0	26	4022109-5	8
2020305-5	142	4020100-6	14, 150, 151	4021349-8	26	4022110-3	8
2020406-1	144	4020102-2	14	4021350-6	26	4022111-1	8
2020407-9	144	4020118-8	8	4021351-4	26	4022113-7	8
2020408-7	144	4020132-9	40	4021385-2	26	4022114-5	8
2020409-5	144	4020135-2	6	4021386-0	28	4022115-2	8
2020410-3	144	4020142-8	10	4021394-4	30	4022116-0	8
2020411-1	144	4020143-6	10	4021427-2	76	4022118-6	8
2020412-9	144	4020145-1	10	4021445-4	6	4022119-4	8
2020413-7	144	4020146-9	12	4021452-0	10	4022120-2	8
2020414-5	144	4020147-7	12	4021454-6	10	4022121-0	8
2020415-2	144	4020148-5	8	4021498-3	6	4022123-6	8
2020416-0	144	4020149-3	8	4021600-4	52	4022125-1	8
2020417-8	144	4020156-8	12	4021607-9	18	4022127-7	8
2020419-4	144	4020185-7	10	4021634-3	14, 16, 20, 150	4022129-3	6
2020420-2	144	4020235-0	20			4022233-3	10
2020421-0	144	4020299-6	12	4021689-7	40	4022256-4	8
2020422-8	144	4020359-8	10	4021711-9	6	4022405-7	30, 32
2020423-6	144	4020380-4	6	4021796-0	10	4022415-6	6
2022017-4	108	4020381-2	6	4021803-4	22		

## NUMERICAL INDEX

PART NUMBER	PAGE	PART NUMBER	PAGE	PART NUMBER	PAGE	PART NUMBER	PAGE
4022581-5	18	4025166-2	12	4049437-9	30	4053829-0	30
4022582-3	18	4025188-6	10	4049532-7	32	4054037-9	34
4022585-6	8	4025191-0	10	4049533-5	32	4054540-2	30
4022593-0	18	4025193-6	10	4050184-3	34	4054579-0	32
4022595-5	12	4025194-4	10	4050417-7	34	4054582-4	32
4022597-1	18	4025199-3	18	4050637-0	30	4054583-2	32
4022630-0	12	4025229-8	28	4050638-8	30	4054594-9	32
4022635-9	26	4025230-6	28	4050645-3	30	4054608-7	20, 151
4022645-8	12	4025236-3	20	4050646-1	30	4054799-4	38
4022685-4	6	4025238-9	6	4050910-1	32	4055015-4	32
4022736-5	18	4025258-7	6	4050912-7	34	4055442-0	32
4022737-3	18	4025259-5	6	4051374-9	32	4055555-9	38
4022900-7	26	4025385-8	26, 151	4051376-4	34	4055569-0	36
4022901-5	26	4025392-4	6	4051378-0	32	4055892-6	34
4022911-4	12, 151	4025461-7	14	4051379-8	34	4055928-8	34
4022913-0	6	4025491-4	12	4051381-4	34	4055958-5	34
4022980-9	16	4025710-7	20, 151	4051383-0	30	4055959-3	34
4023052-6	16	4025921-0	20, 151	4051385-5	34	4055960-1	34
4023099-7	10	4026086-1	20	4051386-3	34	4055961-9	34
4023563-2	14	4026383-2	6	4051387-1	34	4055962-7	34
4023574-9	28, 30	4026460-8	14	4051388-9	34	4055965-0	34
4023709-1	6	4026514-2	18	4051412-7	32	4055966-8	34
4023824-8	20, 22, 24, 26, 151	4026549-8	14	4051413-5	32	4056484-1	32
4023827-1	10	4026699-1	10	4051498-6	32	4056485-8	32
4023857-8	14	4026887-2	20, 151	4051499-4	32	4056486-6	32
4023858-6	14	4027979-6	16	4051502-5	32	4056487-4	32
4023859-4	14, 150, 151	4042646-2	36	4051504-1	30	4056488-2	32
4023865-1	10	4042832-8	38	4051559-5	32	4056590-5	34
4023902-2	16	4044032-3	38	4051807-8	32	4058950-9	32
4023926-1	10	4047348-0	36	4051833-4	32	4058951-7	32
4025019-3	6, 150, 151	4047365-4	36	4052156-9	32	4059134-9	34
4025021-9	6, 150, 151	4048596-3	30, 32	4052538-8	34	4059221-4	34
4025025-0	6	4048597-1	32	4052540-4	32	4059237-0	32
4025059-9	20	4048598-9	32	4052541-2	34	4059241-2	32
4025067-2	20, 151	4048600-3	32	4052742-6	32	4059508-4	34
4025068-0	20	4048603-7	32	4052915-8	32	4059596-9	34
4025079-7	14, 16	4048604-5	32	4052917-4	32	4059620-7	30
4025082-1	14	4048605-2	32	4053035-4	30	4059657-9	30
4025101-9	20, 151	4048608-6	34	4053036-2	30	4059685-0	30
4025103-5	20	4048610-2	32	4053037-0	30	4059733-8	34
4025106-8	20, 150	4048620-1	34	4053204-6	32	4060695-6	30
4025119-1	16	4048624-3	32	4053266-5	32	4115449-3	20
4025120-9	16, 150, 151	4048627-6	32	4053267-3	32, 34	4153776-2	12
4025146-4	26	4048630-0	32	4053315-0	32	4250616-2	84
4025148-0	26	4048635-9	32	4053362-2	34	4253059-2	10
4025149-8	26	4048636-7	32	4053375-4	32	4253433-9	34
4025150-6	26, 151	4048642-5	32	4053385-3	34	4253787-8	68
4025164-7	12	4048645-8	32	4053451-3	34	4254152-4	56
4025165-4	12	4048649-0	30	4053589-0	32	4254594-7	8
		4048650-8	32	4053590-8	34	4254659-8	20

---

**NUMERICAL INDEX**

<b>PART NUMBER</b>	<b>PAGE</b>	<b>PART NUMBER</b>	<b>PAGE</b>
4254757-0 . . .	12	4513414-5 . . .	16
4254864-4 . . .	10	4513471-5 . . .	22
4255107-7 . . .	6	4513922-7 . . .	38
4255110-1 . . .	6	4514135-5 . . .	24
4255364-4 . . .	18	4514780-8 . . .	26
4255492-3 . . .	6	4514813-7 . . .	8
4255524-3 . . .	22	4987617-0 . . .	56
4255528-4 . . .	20	4996402-6 . . .	110
4255538-3 . . .	12	4996403-4 . . .	110
4255545-8 . . .	40	4996404-2 . . .	110
4330051-6 . . .	14	4997192-2 . . .	110, 148
4357289-0 . . .	16		
4362338-8 . . .	6		
4368977-7 . . .	28		
4369428-0 . . .	32		
4369429-8 . . .	32		
4369432-2 . . .	32		
4369436-3 . . .	34		
4369444-7 . . .	34		
4369451-2 . . .	34		
4369452-0 . . .	32		
4369496-7 . . .	30		
4369502-2 . . .	30		
4369592-3 . . .	34		
4369595-6 . . .	32, 34		
4369596-4 . . .	34		
4369878-6 . . .	32		
4371122-5 . . .	18		
4371718-0 . . .	30		
4376497-6 . . .	12		
4378033-7 . . .	26		
4380652-0 . . .	26		
4500231-8 . . .	6		
4500300-1 . . .	8		
4501149-1 . . .	26		
4504409-6 . . .	26		
4506761-8 . . .	22		
4507084-4 . . .	20		
4507359-0 . . .	26		
4507374-9 . . .	6		
4507415-0 . . .	26		
4507673-4 . . .	6		
4511213-3 . . .	26		
4511243-0 . . .	26		
4512343-7 . . .	24		
4512644-8 . . .	10		
4513162-0 . . .	18		
4513163-8 . . .	18		
4513164-6 . . .	18		
4513206-5 . . .	10		

918

Page 164 TP-111

---

MEMO

**"ALWAYS GIVE MODEL AND SERIAL NUMBER WHEN ORDERING PARTS"**

