

Features & Benefits:

- Field Adjust Wattage Via Mechanical Dial
- Up to 29,585 Lumens with 149 Lumens per Watt
- -20F to 140F Ambient Listing
- Field Installable Konex Sensors for Ultimate Energy Savings and Control
- 6' Driver Cord Standard with Twist Lock and Straight Blade Options
- White, Bronze, and Black Finish Options
- Wet Location Listed - IP65 Rated
- DLC Premium
- Comes Standard with Shorting Cap for Easy Field Installation of Occupancy Sensors and/or Konex Wireless Networking
- CRI >80



Project: _____ Date: _____

Catalog #: _____

Notes: _____

Available in White, Bronze or Black Finishes



Product Specifications:

Construction:

Roswell series features a die cast aluminum housing available in white, bronze or black finishes. Ultra durable powder coat finish. All hardware is made of corrosion resistant materials enabling long life.

Electrical:

MV (120-277V) Driver with 0-10v (0-100%) dimming range. 12V aux output. Power adjustable through mechanical dial on driver box. 200W, 150W, 120W and 100W options. Surge protection of 6kV/4kV per ANSI C82.77-5-2015.

Installation:

Ships standard with hook mount. Alternative mounts available are: eye bolt mount and 3/4" conduit mount with side hole allowing to wire easily into the existing conduit. 6' cord lead for easy installation. Ships standard with 72" safety cable.

Optical:

Optical grade polycarbonate lens provides uniform 120 degree beam angle. Optional 60 degree beam angle available for factory or field installation.

Controls:

Roswell series ship with integrated Konex HM receptacle. The Konex receptacle enables the field installation of multiple wireless control options with no extra wiring. The KNX-FS7 provides microwave occupancy sensing along with an integrated power pack for wireless dimming control. KNX-RPP can be used to create wireless dimming controls with Konex wall switches. The FS7 can grouped with RPP(s) to create Primary/Secondary relationships enabling maximum energy savings and uniform dimming control. All programming is done within the ESL Network Lighting App. See controls page for more details. The ESL-9OCC is an occupancy sensor to operate only the fixture in which it is installed. Great for basic On/Off or Dim to Off control. Program the 9OCC sensor with the REM-100 remote (sold separately).

*Not All Part Numbers DLC Qualified. For a Complete Listing Please Consult the DLC Qualified Products List (QPL).

Ordering Guide:

ESL	-	RHB	-	100200W	-	1	-		-		-	FACTORY INSTALLED		
ESL		TYPE		ADJUSTABLE WATTAGE		GENERATION		KELVIN		FINISH		LENS		OPTIONS*
		RHB (Round High Bay)		100200W (100W,120W, 150W, 200W)		1 (1st Generation)		40 (4000 Kelvin) 50 (5000 Kelvin)		BK (Black) WH (White) BZ (Bronze)		120D (120 Degrees Default) 60D (60 Degrees)		

*Options (Factory Installed)

Cord Sets:
CS3W6P (Cord Set, 3 Conductor, 18 Gauge, White, 6 Foot Length, Straight Blade Plug)
CS3B6P (Cord Set, 3 Conductor, 18 Gauge, Black, 6 Foot Length, Straight Blade Plug)
CS3B6TL5 (Cord Set, 3 Conductor, 18 Gauge, Black, 6 Foot Length, Twist lock, Nema L5-15 - 120V)
CS3B6TL6 (Cord Set, 3 Conductor, 18 Gauge, Black, 6 Foot Length, Twist lock, Nema L6-15 - 240V)
CS3B6TL7 (Cord Set, 3 Conductor, 18 Gauge, Black, 6 Foot Length, Twist lock, Nema L7-15 - 277V)
Emergency BBU:
EM30 (Emergency Backup Battery Unit, Auto Test Function, 40 Watts Ouput, 90 Minutes MIn, 100-347VAC Input, 170VDC Ouput, Factory Install, Title 20)

Accessories (Field Installed)

Sensors:
ESL-KNX-FS7-RPP (Konex Occupancy Sensor with integarted RPP Controller. Field installed utilizing twist lock design for Konex high mount receptacles. 120-277 VAC with power statistics)
ESL-KNX-RPP-003 (Konex Power Pack Relay Controller. Use with KNX sensors or wall switches for wireless dimming control. Field installed utilizing twist lock design for Konex high mount receptacles. 120-277VAC with power statistics.)
ESL-9OCC-LV-HDD (High Bay Microwave Occupancy Sensor for Konex High Mount Receptacles, 12V Input, Daylight Harvesting, Up to 40 ft mounting, Microwave Sensor, 0-10 Dimming)
ESL-REM-100 (Wireless remote to control ESL-9OCC-LV-HDD)
Mounting:
ESL-RHB1-CMA (Conduit Mount Adapter for Roswell Series. 3/4" NPT. Side hole allows for wiring in conduit.)
ESL-RHB1-LOOP (Stainless Steel Eye Bolt Mount)
ESL-RHB1-6SCBL (6' Safety Cable)
Wire Guard:
ESL-RHB1-WG (Wire Guard Cover for Roswell Series. White finish. Field Installed.)
ESL-RHB1-WG-BKBZ (Wire Guard Cover for Roswell Series. Black finish. Field Installed.)
Reflectors:
ESL-RHB1-ARF-90 (Alumunim Reflector for Roswell Series. 90 Degree Beam Angle. Field Installed.)

Accessories:



ESL-KNX-FS7-RPP



ESL-KNX-RPP-003



ESL-9OCC-LV-HDD



ESL-RHB1-LOOP



ESL-RHB1-CMA



ESL-REM-100



ESL-EMG-HB1-CWR-30W



ESL-RHB1-6SCBL



ESL-RHB1-WG-BKBZ
ESL-RHB1-WG-WH



ESL-RHB1-ARF-90

Lumen Ambient Temperature (LAT) Multipliers:

AMBIENT		LUMEN MULTIPLIER
0 °C	32 °F	1.02
10 °C	50 °F	1.01
20 °C	68 °F	1
25 °C	77 °F	1
30 °C	86 °F	1
40 °C	104 °F	0.99
50 °C	122 °F	0.96

Comparison Technology:

SYSTEM WATTS	DESCRIPTION
100	4-lamp T5HO, 6-lamp T8
120	6-lamp T5HO, 8-lamp T8, 400W HID
150	6-lamp T5HO, 8-lamp T8, 400W HID
200	10-lamp T5HO, 575W HID

Unified Glare Rating (UGR):

BEAM ANGLE	UGR
60°	27
120°	32.7
90° (Aluminum Reflector)	22.7

LED Lumen Maintenance:

SYSTEM WATTS	HOURS			
	0	25000	50000	100000
100	100%	95%	90%	81%
120	100%	95%	90%	80%
150	100%	95%	90%	81%
200	100%	96%	91%	82%

Electrical Load:

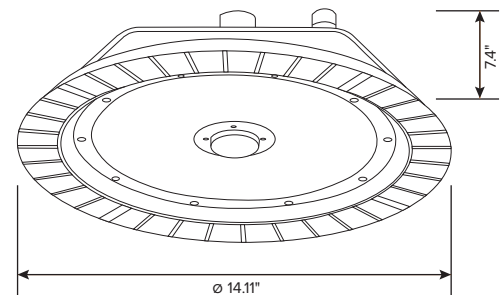
SYSTEM WATTS	INPUT CURRENT				INPUT VOLTAGE	INPUT FREQUENCY	INPUT CURRENT	POWER FACTOR	THD	OPERATING TEMPERATURE	SURGE PROTECTION	DIMMING
	120 VAC	208 VAC	240 VAC	277 VAC								
100	0.83	0.48	0.42	0.36	120-277 VAC	50/60 Hz	0.6A@120VAC	>0.99 @120 VAC >0.96 @277 VAC	<10%	-4°F to 122°F (-20°C to 50°C)	6kV/4kV per ANSI C82.77-5-2015	0-10V
120	1.00	0.58	0.50	0.43			1A@120VAC					
150	1.25	0.72	0.63	0.54			0.71A@120VAC					
200	1.67	0.96	0.83	0.72			1A@120VAC					

Catalog Data:

ESL-RHB-100200W-1	KELVIN			KELVIN			LENS*
	4000K (40)			5000K (50)			
	LUMENS*	LPW*	DLC QPL	LUMENS*	LPW*	DLC QPL	
100 WATTS	14,500	145	PKW6GXGC	14,500	145	PCRWUW6H	120D
120 WATTS	17,400	145		17,400	145		
150 WATTS	21,750	145		21,750	145		
200 WATTS	28,578	146		29,585	149		

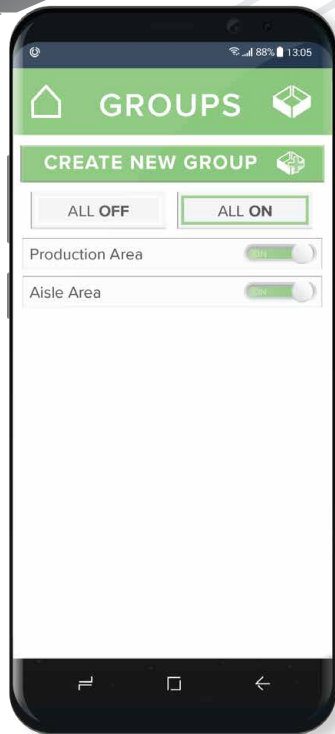
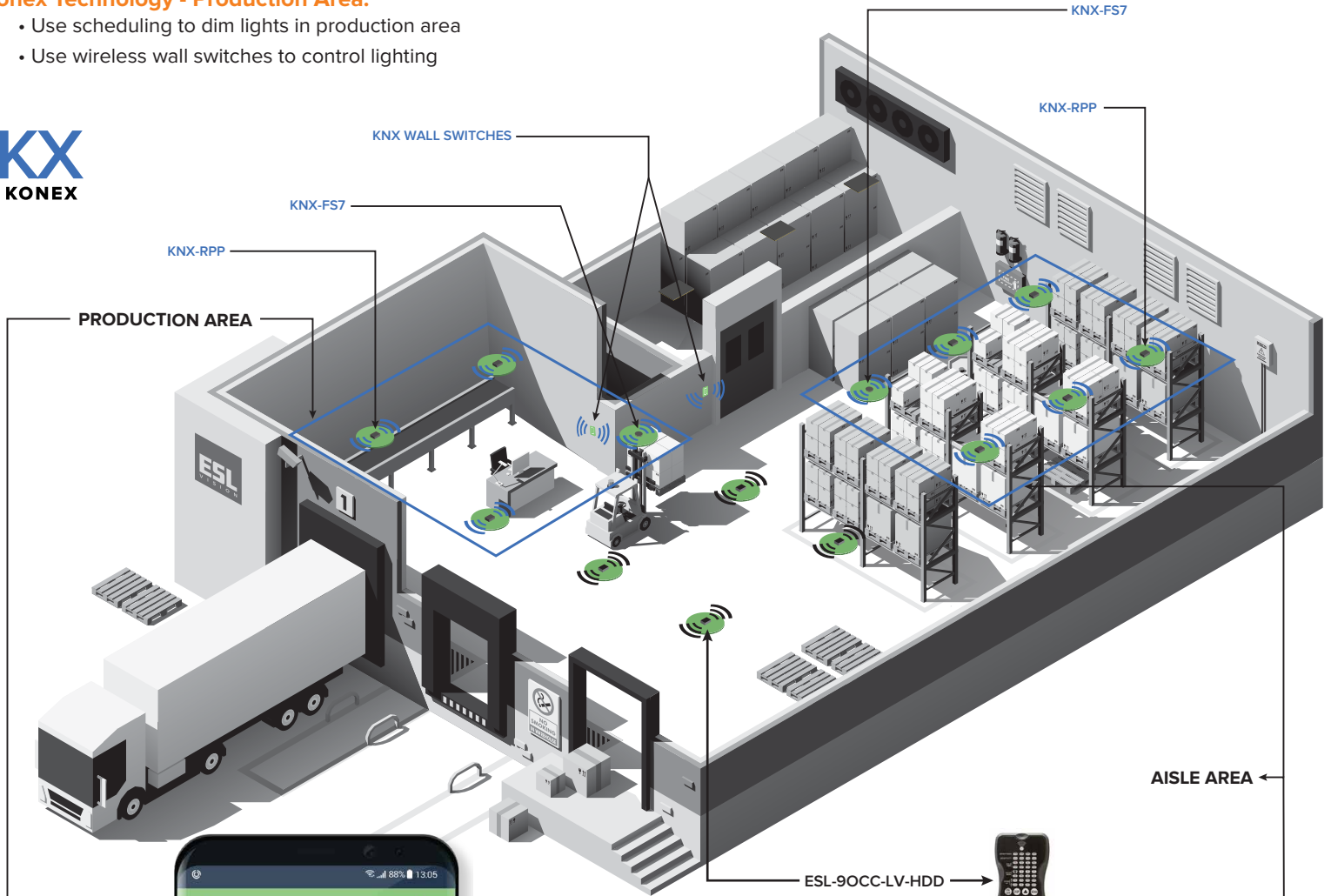
*120 Degree beam angle lens is standard. Other lens beam angles are available and listed on DLC (60D & 90D)

Fixture Dimensions:



Konex Technology - Production Area:

- Use scheduling to dim lights in production area
- Use wireless wall switches to control lighting



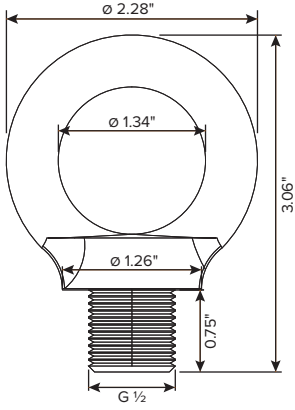
Keep it Simple Without Networking:

- The ESL-9OCC-LV-HDD is an occupancy sensor to operate only the fixture in which it is installed. Great for basic On/Off or Dim to Off control.
- Program this sensor with the REM-100 remote (sold separately)

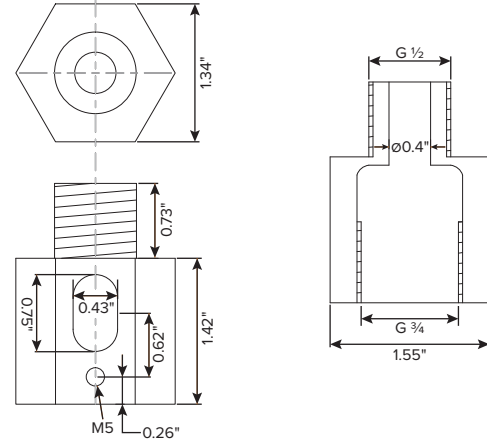
Konex Technology - Aisle Area:

- Group fixtures to all work off one occupancy sensor
- Easily create multiple groups to control specific locations or the entire area

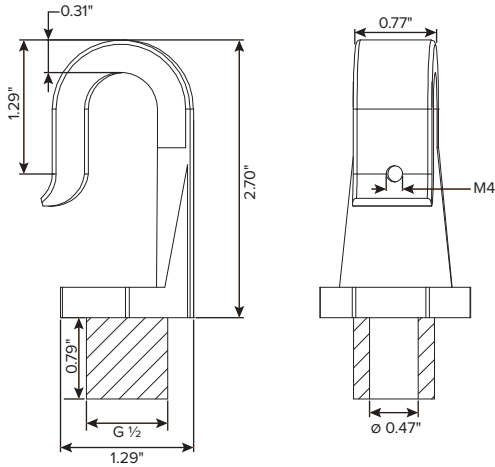
ESL-RHB1-LOOP



ESL-RHB1-CMA



ESL-RHB1-HM



ESL-RHB1-ARF-90

