

LED EMERGENCY LIGHTING





WHEN THE POWER IS OUT, THAT'S WHEN WE SHINE.

MGC's Emergency Lighting products offer efficiency, quality, affordability, and universal designs that are ideal for all indoor applications.



Efficiency

Using the latest in LED technology, MGC achieves high brightness and low power consumption with a 50,000 hour bulb rating.

Quality

Built with a flame rated thermoplastic housing that provides corrosion resistance & durability. Standard 3 year warranty.

Affordability

No bulb replacement for the complete life-span of the product. Fewer service calls, energy efficient, lower cost of ownership.

Universal Design

Versatility ranging from 120/277/347 VAC universal input voltages, to ceiling, wall, or end mounting options.

ORDER TODAY & SAVE!

1.888.660.4655 | mircom.com/emergency-lighting

 **Mircom**[®]
Safer • Smarter • More Livable Buildings

Description	Product	Page
RUNNING MAN / COMBO RUNNING MAN	ELRM-100	4
	ELRM-100S	5
	ELRM-180-2RC	6
	ELRM-180-18RCS	7
	EL-7008MA	8
EXIT / COMBO EXIT	EL-7007RX	9
	EL-7007GX	9
	EL-7007RS	9
	EL-100SR	10
	EL-180-18RCS	11
	EL-7027BR	12
	EL-7027AG	13
	EL-7008RA	14
REMOTE HEADS	EL-7030A	15
	EL-7030B	16
EMERGENCY LIGHT / BATTERY UNITS	EL-7006	17
	EL-7006-RC	18
	EL-7012	19
	EL-7061S	20
	EL-7062S	21

ELRM-100

LED Running Man Sign



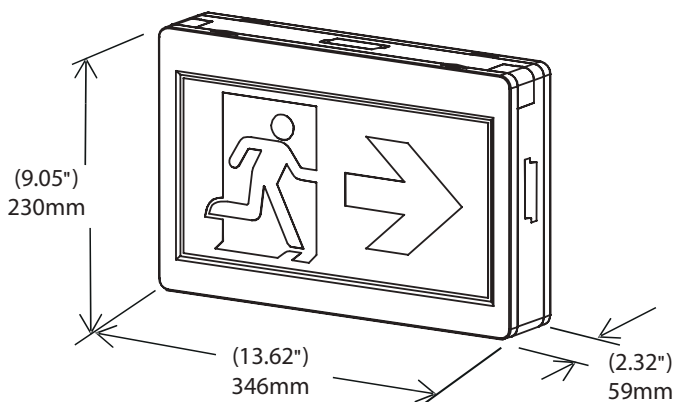
FEATURES	
Power (W)	1.5 W
Lamp Type	SMD LED
Input Voltage	120/347 VAC
Frequency	60 Hz
LED Type	SMD LED
Battery Type	Ni-Cd
Working Time	120 Minutes
Charging Time	15-24 Hours



DESCRIPTION

- Injection-molded thermoplastic ABS housing
- UL-94V-0 flame rating, fire-retardant
- Wall and ceiling mounting
- Input Voltage: 120/347VAC 60Hz
- Super bright SMD LED
- Nickel Cadmium Battery
- Test switch and charge indicator light
- Overcharge & Over-discharge protection
- Backup time: ≥120 minutes
- Conversion time: <0.2 second
- IP Class: IP20
- Insulation: II, Range: 80m2 / 860sq.ft
- Operating Temperature:
0 °C ~ 40 °C / 32 °F ~104 °F

TECHNICAL DRAWING



INCLUDED PICTOGRAMS



Arrow Right 2 pcs



Without Arrow 1 pc

ELRM-100S

Steel LED Running Man Sign with Battery Backup



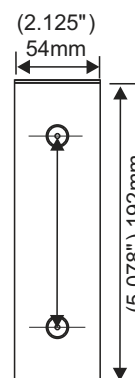
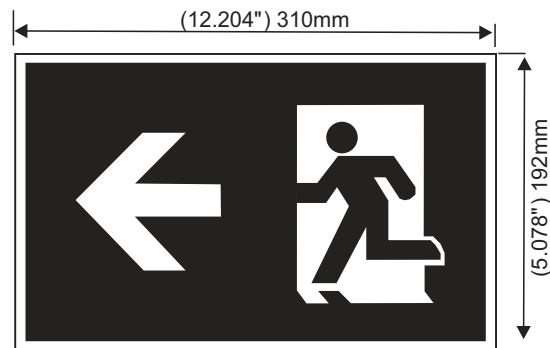
FEATURES	
Power (W)	1 W
Lamp Type	LED strip
Input Voltage	120-347 VAC
Frequency	50/60 Hz
Battery Type	NI-Cd
Working Time	120 Minutes
Charging Time	24 Hours



DESCRIPTION

- Durable steel housing
- Wall, side and ceiling mountable
- Input Voltage: 120 - 347VAC 50/60Hz
- LED technology
- Nickel Cadmium Battery
- Test switch and charge indicator light
- Overcharge & Over-discharge protection
- Backup time: 120 minutes
- Suitable for damp locations
- Operating Temperature:
5 °C ~ 30 °C / 41 °F ~ 86 °F

TECHNICAL DRAWING



ELRM-180-2RC

LED Running Man Combo Unit (Remote Capable)



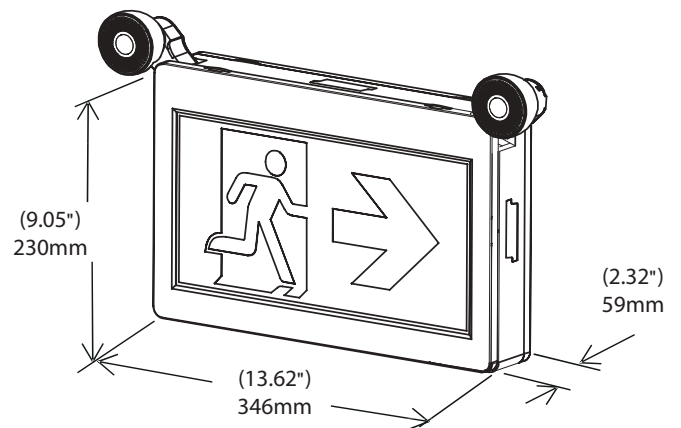
FEATURES	
Power (W)	3.5 W
Lamp Type	2x1 LED
Input Voltage	120/347 VAC
Frequency	60 Hz
LED Type	SMD LED
Battery Type	NI-MH
Working Time	120 Minutes
Charging Time	15-24 Hours



DESCRIPTION

- Injection-molded thermoplastic ABS housing
- UL-94V-0 flame rating, fire-retardant
- Wall and ceiling mounting
- Input Voltage: 120/347VAC 60Hz
- Super bright SMD LED 2x1W
- Nickel Metal Hydride Battery
- Test switch and charge indicator light
- Overcharge & Over-discharge protection
- Backup time: ≥120 minutes
- Conversion time: <0.2 second
- IP Class: IP20
- Insulation: II, Range: 80m2 / 860sq.ft
- Operating Temperature:
0 °C ~ 40 °C / 32 °F ~104 °F

TECHNICAL DRAWING



INCLUDED PICTOGRAMS



Arrow Right 2 pcs



Without Arrow 1 pc

REMOTE ADD-ONS



EL-7030A (2 pcs Max)



EL-7030B (1 pc Max)

ELRM-180-18RCS

Steel LED Running Man Combo



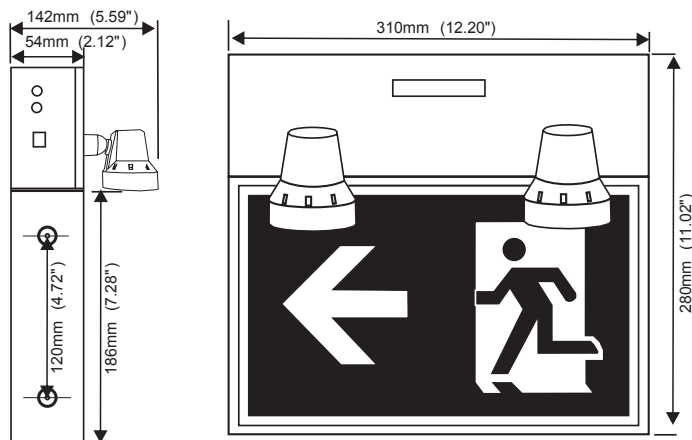
FEATURES	
Power (W)	1 W
Lamp Type	2x2 W LED
Input Voltage	120-347 VAC
Frequency	50/60 Hz
LED Type	LED Strip
Battery Type	Sealed Lead Acid
Working Time	120 Minutes
Charging Time	24 Hours



DESCRIPTION

- Durable steel housing
- Wall, ceiling, and side mountable
- Input Voltage: 120 - 347VAC 50/60Hz
- LED technology
- 6V6Ah Sealed Lead Acid Battery
- 36W Remote Capable
- Test switch and charge indicator light
- Overcharge & Over-discharge protection
- Backup time: 120 minutes
- Suitable for damp locations
- Operating Temperature:
5 °C ~ 30 °C / 41 °F ~ 86 °F

TECHNICAL DRAWING



REMOTE ADD-ONS



EL-7030A (20 pcs)



EL-7030B (10 pcs)

EL-7008MA

Aluminum LED Edge-Lit Running Man Sign



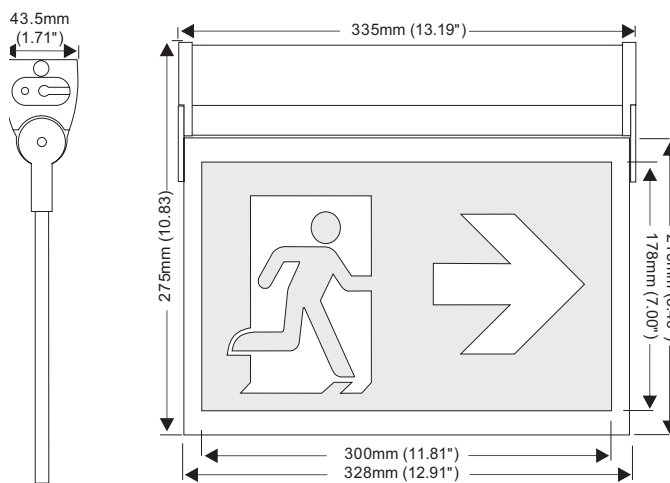
FEATURES	
Power (W)	1 W
Lamp Type	LED
Input Voltage	120-347 VAC
Frequency	50/60 Hz
LED Type	LED Strip
Battery Type	Ni-cd
Working Time	120 Minutes
Charging Time	24 hours



DESCRIPTION

- Durable aluminum housing
- Wall and ceiling mountable
- Input Voltage: 120 - 347VAC 50/60Hz
- LED technology
- Nickel Cadmium Battery
- Test switch and charge indicator light
- Overcharge & Over-discharge protection
- Backup time: 120 minutes
- Suitable for damp locations
- Operating Temperature:
5 °C ~ 30 °C / 41 °F ~ 86 °F

TECHNICAL DRAWING



EL-7007RX*

LED Emergency Exit Sign



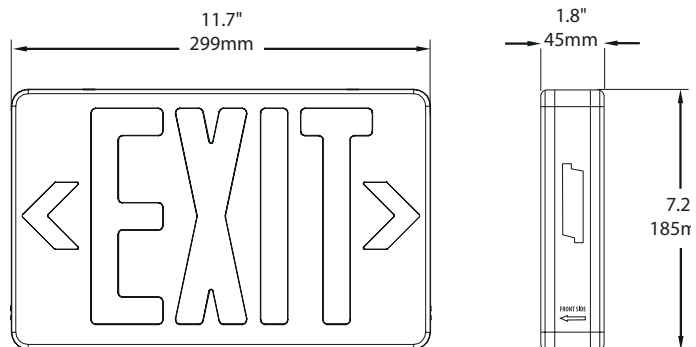
FEATURES	
Power (W)	2 W
Lamp Type	Straw LED
Input Voltage	120/277 VAC
Frequency	60 Hz
LED Type	Straw LED
Battery Type	Ni-cd
Working Time	90 Minutes
Charging Time	15-24 Hours



DESCRIPTION

- Injection-molded thermoplastic ABS housing
- UL-94V-0 flame rating, fire-retardant
- Wall, side and ceiling mounting
- Input Voltage: 120/277VAC 60Hz
- Super bright SMD LED
- Nickel Cadmium Battery
- Test switch and charge indicator light
- Overcharge & Over-discharge protection
- Backup time: ≥90 minutes
- Conversion time: <0.2 second
- IP Class: IP20
- Operating Temperature: 0 °C ~ 40 °C

TECHNICAL DRAWING



INCLUDED PICTOGRAMS

*Available in:

- Spanish (EL-7007RS)
- Green (EL-7007GX)



EL-100SR

Steel LED Exit Sign



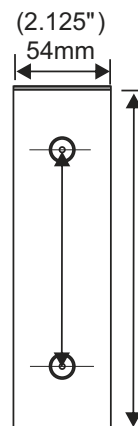
FEATURES	
Power (W)	1 W
Lamp Type	LED
Input Voltage	120-347 VAC
Frequency	50/60 Hz
LED Type	LED Strip
Battery Type	Ni-cd
Working Time	120 Minutes
Charging Time	24 Hours



DESCRIPTION

- Durable steel housing
- Wall, ceiling, and side mountable
- Input Voltage: 120 - 347VAC 50/60Hz
- LED technology
- Nickel Cadmium Battery
- Test switch and charge indicator light
- Overcharge & Over-discharge protection
- Backup time: 120 minutes
- Suitable for damp locations
- Operating Temperature:
5 °C ~ 30 °C / 41 °F ~ 86 °F

TECHNICAL DRAWING



EL-180-18RCS

Steel LED Emergency Exit Sign Combo



EXIT / COMBO EXIT

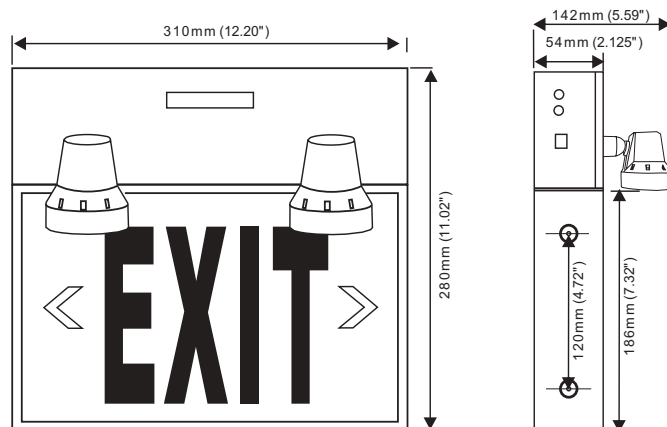
FEATURES	
Power (W)	1 W
Lamp Type	2x2 W LED
Input Voltage	120-347 VAC
Frequency	50/60 Hz
LED Type	SMD, LED STRIP
Battery Type	Sealed Lead Acid
Working Time	120 Minutes
Charging Time	24 Hours



DESCRIPTION

- Durable steel housing
- Wall, ceiling, and side mountable
- Input Voltage: 120 - 347VAC 50/60Hz
- LED technology
- 6V6Ah Sealed Lead Acid Battery
- 36W Remote Capable
- Test switch and charge indicator light
- Overcharge & Over-discharge protection
- Backup time: 120 minutes
- Suitable for damp locations
- Operating Temperature:
5 °C ~ 30 °C / 41 °F ~ 86 °F

TECHNICAL DRAWING



REMOTE ADD-ONS



EL-7030A (20 pcs)



EL-7030B (10 pcs)

EL-7027BR*

LED Emergency Exit Sign Combo With Adjustable Heads



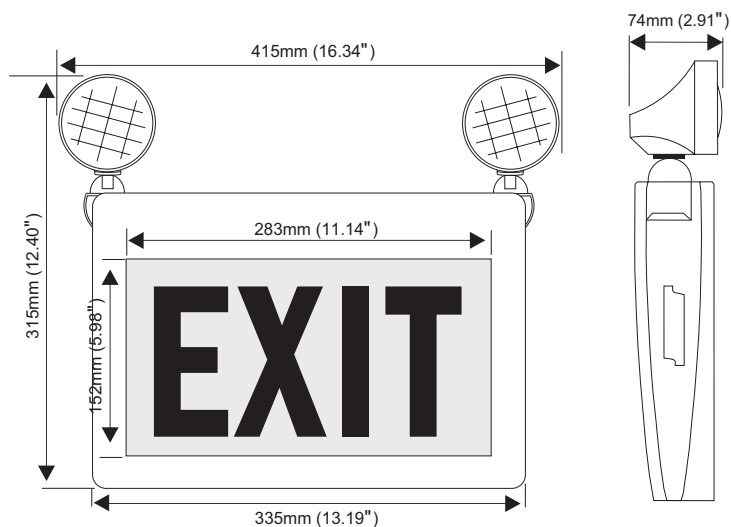
FEATURES	
Power (W)	1 W
Lamp Type	2x2 W LED
Input Voltage	120-347 VAC
Frequency	50/60 Hz
LED Type	SMD LED
Battery Type	Ni-cd
Working Time	120 Minutes
Charging Time	15-24 Hours



DESCRIPTION

- Injection-molded thermoplastic ABS housing
- UL-94V-0 flame rating, fire-retardant
- Wall and ceiling mounting
- Input Voltage: 120-347VAC 50/60Hz
- 2x2 W lamps for emergency mode
- Nickel Cadmium Battery
- Test switch and charge indicator light
- Overcharge & Over-discharge protection
- Backup time: ≥120 minutes
- Conversion time: <0.2 second
- IP Class: IP20
- Insulation: II, Range: 80m2
- Operating Temperature: 0 °C ~ 40 °C

TECHNICAL DRAWING



EL-7027AG

LED Emergency Exit Sign Combo With Adjustable Heads



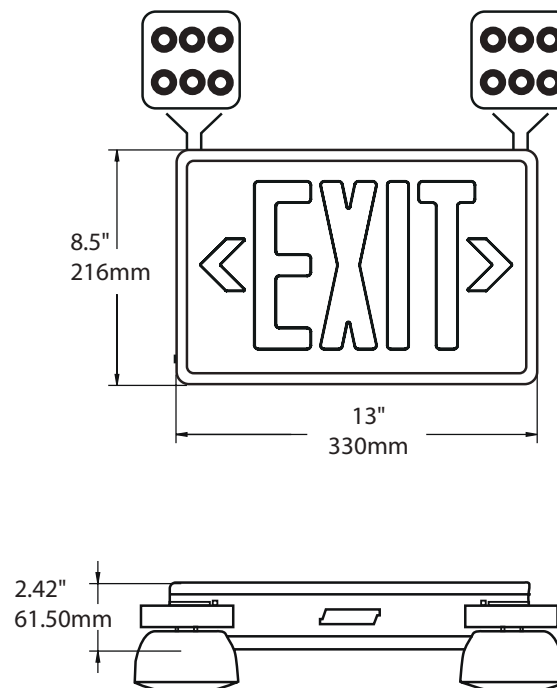
FEATURES	
Power (W)	3 W
Lamp Type	2x1 W LED
Input Voltage	120/277 VAC
Frequency	60 Hz
LED Type	SMD LED
Battery Type	Ni-cd
Working Time	90 Minutes
Charging Time	15-24 Hours



DESCRIPTION

- Injection-molded thermoplastic ABS housing
- UL-94V-0 flame rating, fire-retardant
- Wall and ceiling mounting
- Input Voltage: 120/277VAC 60Hz
- 2x1W lamps for emergency mode
- Nickel Cadmium Battery
- Test switch and charge indicator light
- Overcharge & Over-discharge protection
- Backup time: ≥ 90 minutes
- Conversion time: < 0.2 second
- IP Class: IP20
- Insulation: II, Range: 80m2
- Operating Temperature:
0 °C ~ 40 °C

TECHNICAL DRAWING



EL-7008RA

Edge-Lit LED Exit Sign



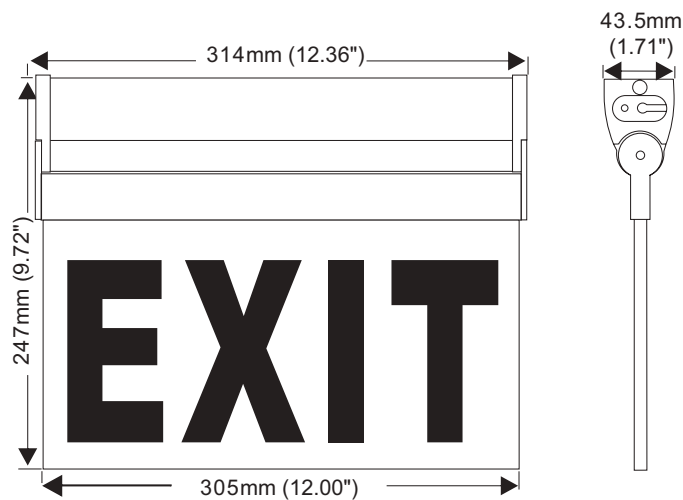
FEATURES	
Power (W)	1 W
Lamp Type	SMD LED
Input Voltage	120/277 VAC
Frequency	60 Hz
LED Type	SMD LED
Battery Type	Ni-cd
Working Time	120 Minutes
Charging Time	15-24 Hours



DESCRIPTION

- Durable aluminum housing
- Wall and ceiling mounting
- Input Voltage: 120/277VAC 60Hz
- Super bright LED
- Nickel Cadmium Battery
- Test switch and charge indicator light
- Overcharge & Over-discharge protection
- Backup time: ≥ 120 minutes
- Conversion time: < 0.2 second
- IP Class: IP20
- Operating Temperature:
0 °C ~ 40 °C

TECHNICAL DRAWING



EL-7030A

Single LED Remote Head (Universal Voltage)



FEATURES	
Power (W)	1.5 W
Lamp Type	LED
Input Voltage	3.6-24 VDC
LED Type	SMD LED



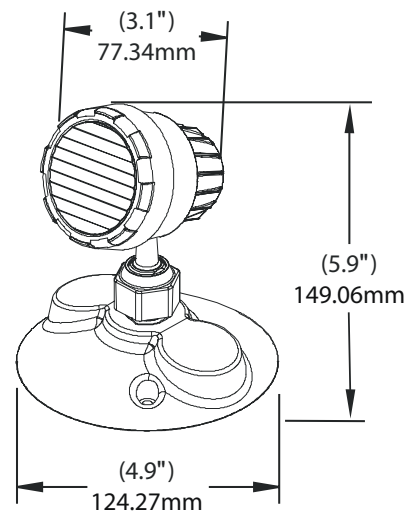
DESCRIPTION

- Injection-molded thermoplastic ABS housing
- UL-94V-0 flame rating, fire-retardant
- Wall and ceiling mounting
- Universal voltage LED remote compatible with any emergency lighting system (3.6-24VDC)
- Super bright SMD LED 2W
- IP Class: IP20
- Insulation: II, Range: 80m2 / 860sq.ft
- Operating Temperature: 0 °C ~ 40 °C / 32 °F ~104 °F

SUITABLE FOR

- ELRM-180-2RC
- ELRM-180-18RCS
- EL-180-18RCS
- EL-7006-RC
- EL-7061S
- EL-7062S

TECHNICAL DRAWING



EL-7030B

Double LED Remote Head (Universal Voltage)



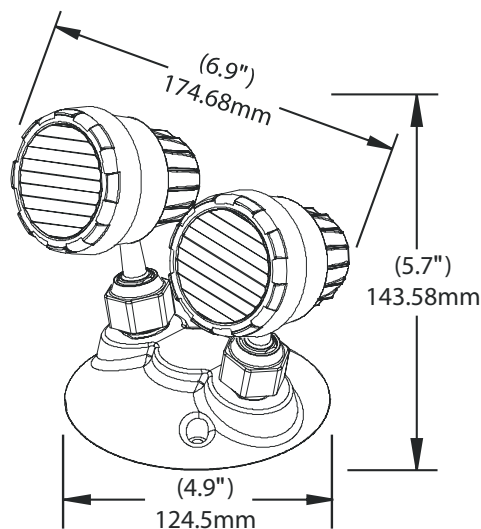
FEATURES	
Power (W)	3 W
Lamp Type	LED
Input Voltage	3.6-24 VDC
LED Type	SMD LED



DESCRIPTION

- Injection-molded thermoplastic ABS housing
- UL-94V-0 flame rating, fire-retardant
- Wall and ceiling mounting
- Universal voltage LED remote compatible with any emergency lighting system (3.6-24VDC)
- Super bright SMD LED 2x2W
- IP Class: IP20
- Insulation: II, Range: 80m2 / 860sq.ft
- Operating Temperature: 0 °C ~ 40 °C / 32 °F ~104 °F

TECHNICAL DRAWING



SUITABLE FOR

- ELRM-180-2RC
- ELRM-180-18RCS
- EL-180-18RCS
- EL-7006-RC
- EL-7061S
- EL-7062S

EL-7006

Emergency Light



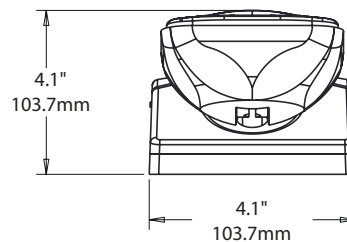
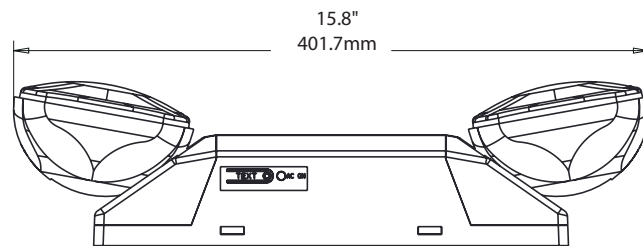
FEATURES	
Power (W)	4 W
Lamp Type	2x2 W LED
Input Voltage	120/277 VAC
Frequency	60 Hz
LED Type	SMD
Battery Type	Ni-cd
Working Time	90 Minutes
Charging Time	15-24 Hours



DESCRIPTION

- Injection-molded thermoplastic ABS housing
- UL-94V-0 flame rating, fire-retardant
- Wall and ceiling mounting
- Switchable input Voltage: 120/277VAC
- Super bright SMD LED
- 2x2 Lamps for Emergency Mode
- Test switch and charge indicator light
- Overcharge & Over-discharge protection
- Backup time: ≥90 minutes
- Conversion time: <0.2 second
- IP Class: IP20
- Insulation: II, Range: 80m² / 860sq.ft
- Operating Temperature:
0 °C ~ 40 °C / 32 °F ~104 °F

TECHNICAL DRAWING



EL-7006-RC*

Emergency Light Remote Capable



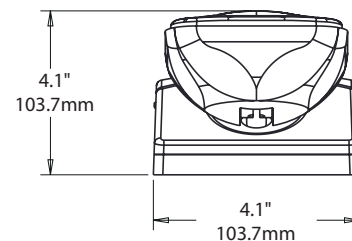
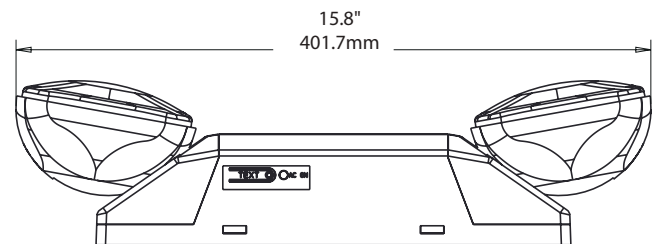
FEATURES	
Power (W)	4 W
Lamp Type	2x2 W LED
Input Voltage	120/347 VAC
Frequency	60 Hz
LED Type	SMD LED
Battery Type	Sealed Lead Acid
Working Time	30 Minutes
Charging Time	15-24 Hours



DESCRIPTION

- Injection-molded thermoplastic ABS housing
- UL-94V-0 flame rating, fire-retardant
- Wall mounting
- Switchable input voltage 120/347VAC with a line cord or AC plug
- 2x2W lamps for emergency mode
- Sealed Lead-acid battery 6V 5Ah
- Test switch and charge indicator light
- Overcharge & Over-discharge protection
- Backup time: ≥ 30 minutes
- Conversion time: < 0.2 second
- IP Class: IP20
- Insulation: II, Range: 80m2
- Operating Temperature: 0 °C ~ 40 °C

TECHNICAL DRAWING



REMOTE ADD-ON SUPPORT



EL-7030A (16 pcs)



EL-7030B (8 pcs)

EL-7012

Emergency Lighting (Compact)



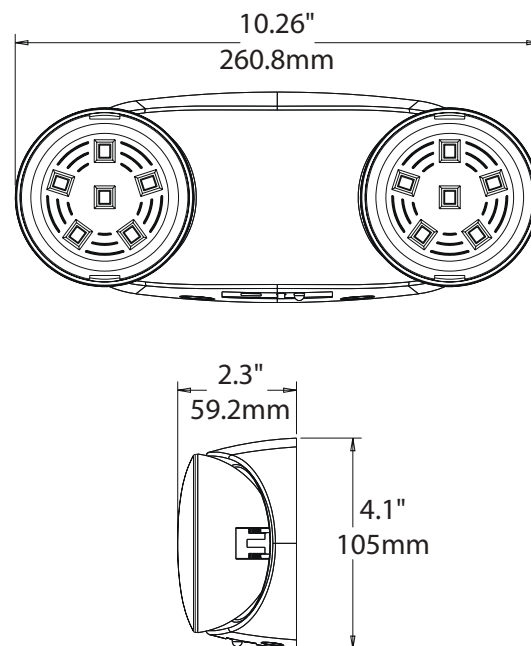
FEATURES	
Power (W)	3 W
Lamp Type	2x1.2 W LED
Input Voltage	120/277 VAC
Frequency	60 Hz
LED Type	SMD LED
Battery Type	Ni-cd
Working Time	90 Minutes
Charging Time	15-24 Hours



DESCRIPTION

- Injection-molded thermoplastic ABS housing
- UL-94V-0 flame rating, fire-retardant
- Wall and ceiling mounting
- Input Voltage: 120/277VAC 60Hz
- 2x1.2W lamps for emergency mode
- Nickel Cadmium Battery
- Test switch and charge indicator light
- Overcharge & Over-discharge protection
- Backup time: ≥ 90 minutes
- Conversion time: < 0.2 second
- IP Class: IP20
- Insulation: II, Range: 80m2
- Operating Temperature:
0 °C ~ 40 °C

TECHNICAL DRAWING



EL-7061S

Emergency Battery Backup Unit



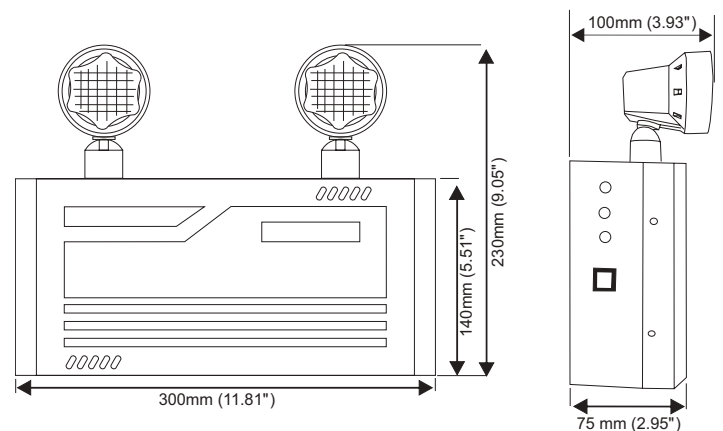
FEATURES	
Power (W)	2 W
Lamp Type	2x2 W LED
Input Voltage	120-347 VAC
Frequency	50/60 Hz
Battery Type	Sealed Lead Acid
Working Time	30 Minutes at 36 W
Charging Time	24 Hours



DESCRIPTION

- Durable steel housing
- Wall mountable
- Input Voltage: 120 - 347VAC 50/60Hz
- LED technology
- 6V6Ah Sealed Lead Acid Battery
- 36W Remote Capable
- Test switch and charge indicator light
- Overcharge & Over-discharge protection
- Backup time: 30 minutes at 36 W
- Suitable for damp locations
- Operating Temperature:
5 °C ~ 30 °C / 41 °F ~ 86 °F

TECHNICAL DRAWING



REMOTE ADD-ONS



EL-7030A (20 pcs)



EL-7030B (10 pcs)

EL-7062S

Emergency Battery Backup Unit



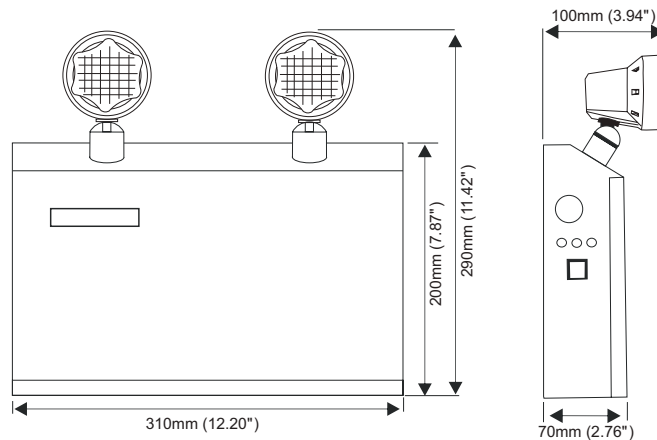
FEATURES	
Power (W)	4 W
Lamp Type	2x2 W LED
Input Voltage	120-347 VAC
Frequency	50/60 Hz
Battery Type	Sealed Lead Acid
Working Time	30 Minutes at 95 W
Charging Time	24 Hours



DESCRIPTION

- Durable steel housing
- Wall mountable
- Input Voltage: 120/347VAC 50/60Hz
- LED technology
- 12V10Ah Sealed Lead Acid Battery
- 95W Remote Capable
- Test switch and charge indicator light
- Overcharge & Over-discharge protection
- Backup time: 30 minutes at 95 W
- Suitable for damp locations
- Operating Temperature:
5 °C ~ 30 °C / 41 °F ~ 86 °F

TECHNICAL DRAWING



REMOTE ADD-ONS

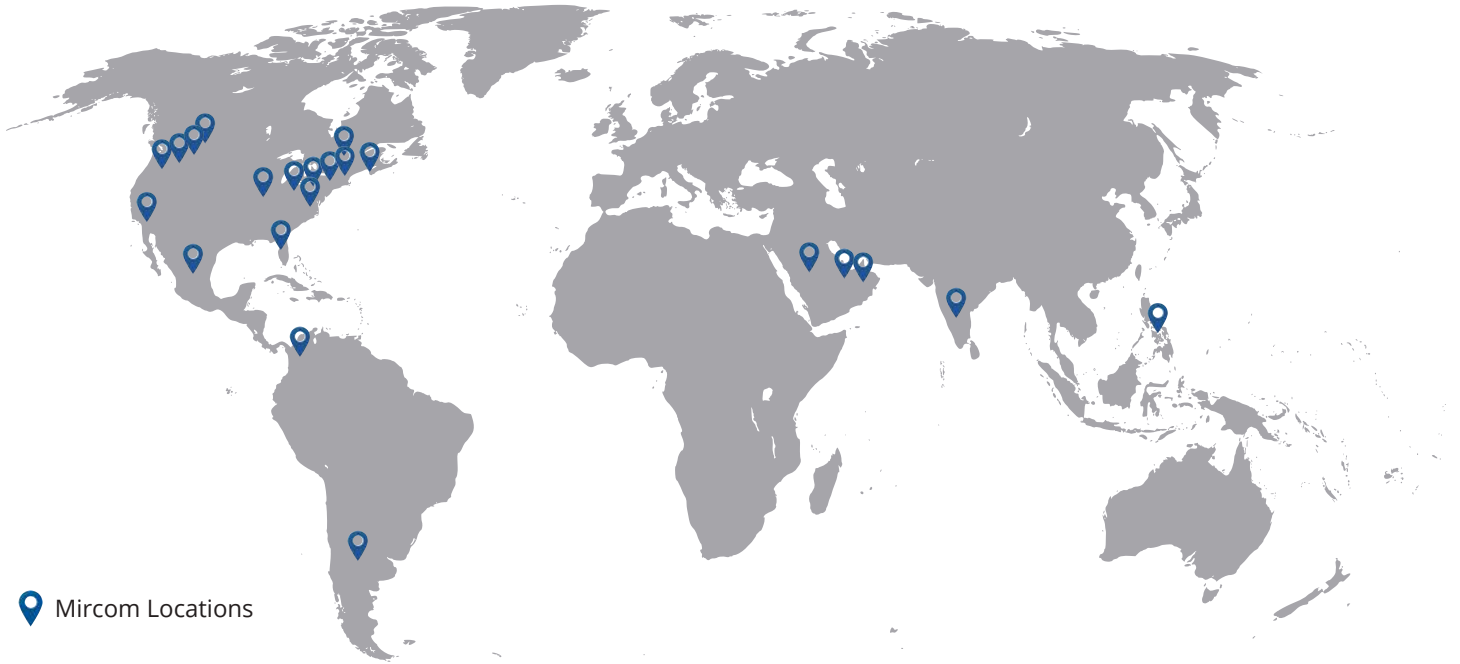



EL-7030A (48 pcs)



EL-7030B (24 pcs)

Product	Description
ELRM-100	RUNNING MAN / COMBO RUNNING MAN
ELRM-100S	
ELRM-180-2RC	
.0-180-18RCS	
EL-7008MA	
EL-7007RX	EXIT / COMBO EXIT
EL-7007GX	
EL-7007RS	
EL-100SR	
EL-180-18RCS	
EL-7027BR	
EL-7027AG	
EL-7008RA	REMOTE HEADS
EL-7030A	
EL-7030B	EMERGENCY LIGHT / BATTERY UNITS
EL-7006	
EL-7006-RC	
EL-7012	
EL-7061S	
EL-7062S	



 Mircom Locations



About the Mircom®

Founded in 1991, Mircom is a global designer, manufacturer and distributor of Intelligent Building Solutions. Reaching customers in over 100 countries worldwide, Mircom’s portfolio includes: fire detection & alarm, communications & security, mass notification, nurse call, and building automation & smart technologies. Mircom’s vision is to make buildings worldwide safer, smarter, and more livable.

Our global network of dedicated Sales and Service Offices, known as Mircom Engineered Systems, allows us to be a full solution provider. Through Mircom ES, we’re able to provide and fully service our line-up of innovative and advanced solutions which are scalable to satisfy diverse user demands, from small & mid-size buildings to the world’s most complex applications.

CORPORATE/CANADA

Tel: 888.660.4655
Fax: 888.660.4113

USA

Tel: 888.660.4655
Fax: 888.660.4113

INTERNATIONAL

Tel: 905.660.4655
Fax: 905.660.4113

mircom.com/emergency-lighting

THIS INFORMATION IS FOR MARKETING PURPOSES ONLY AND NOT INTENDED TO DESCRIBE THE PRODUCTS TECHNICALLY
For complete and accurate technical information relating to performance, installation, testing and certification, refer to technical literature.

The contents of this document may be changed by Mircom Technologies Ltd. without notice. Mircom makes no representations or warranties about the completeness or accuracy of these contents and expressly disclaims liability howsoever arising therefrom. These contents, including all referenced trade names, logos, graphics, marks and copy right information, registered or unregistered, are the exclusive property of Mircom and shall not, without its prior consent, be used, reproduced, stored or transmitted by any means. Purchase of Mircom products is subject to standard warranties, software license agreement and terms and conditions, available on request

