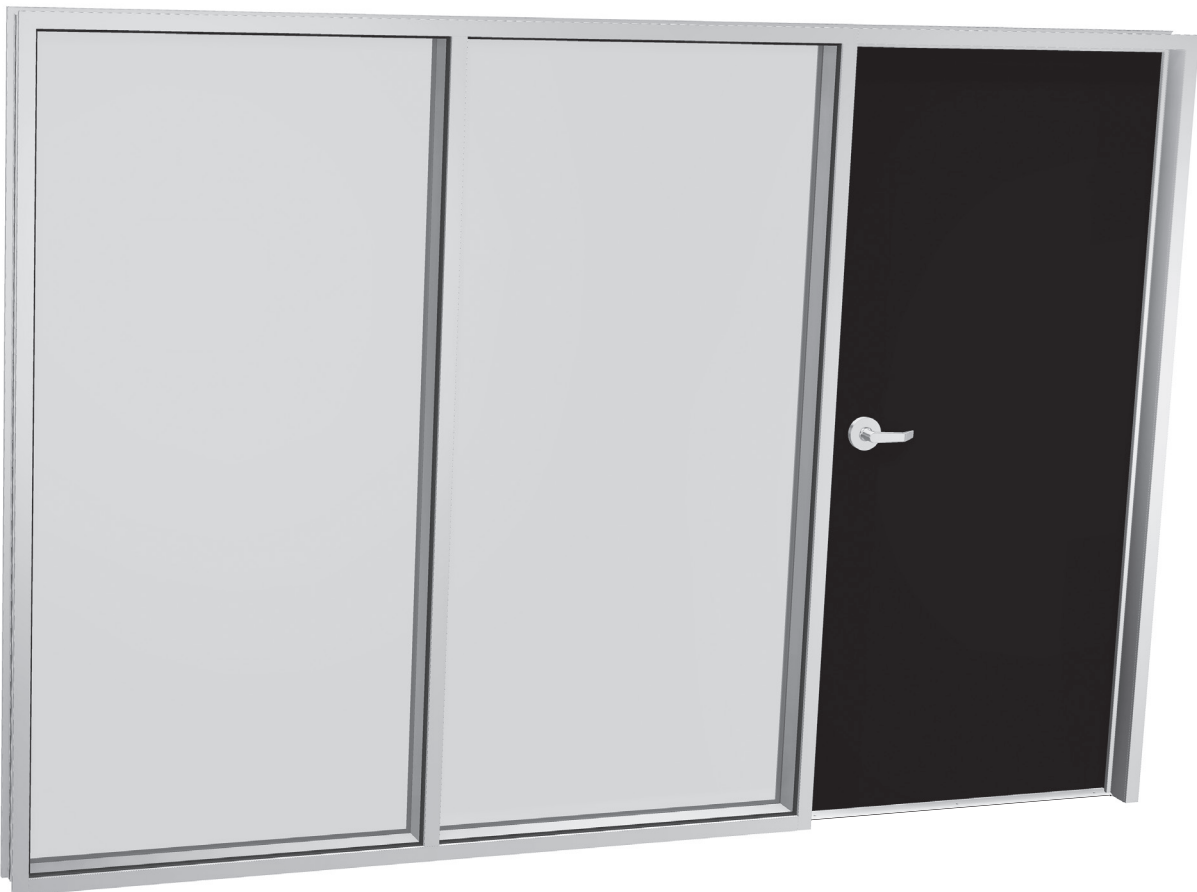


INSTALLATION INSTRUCTIONS

SERIES 487-AR (ACOUSTICALLY-RATED) DOUBLE GLAZE OFFICE PARTITION SYSTEM WITH 1-1/2" TRIM



Phone: (800) 421-6144 • Fax: (800) 582-7501
crlaurence.com • usalum.com • crl-arch.com

11M0300_7-16-19

GENERAL INSTALLATION NOTES

Recommended Guidelines For All Installations:

1. **REVIEW CONTRACT DOCUMENTS.** Check shop drawings, installation instructions, architectural drawings, and shipping lists to become thoroughly familiar with the project. The shop drawings take precedence and include specific details for the project. Note any *field verified* notes on the shop drawings prior to installing. The installation instructions are of a general nature and cover most conditions.
2. **INSTALLATION.** All materials are to be installed plumb, level, and true. Install operable windows preglazed only.
3. **BENCH MARKS.** All work should start from bench marks and/or column lines as established by the architectural drawings and the general contractor with guaranteed accuracy. Working from these datum points and lines determine:
 - a) The plane of the wall in reference to offset lines provided on each floor.
 - b) The finish floor lines in reference to bench marks on the outer building columns.
 - c) Mullion spacing from both ends of masonry opening to prevent dimensional build-up of daylight opening.
4. **FIELD WELDING.** All field welding must be adequately shielded to avoid any splatter on glass or aluminum. Results will be unsightly and/or structurally unsound. Advise general contractor and other trades accordingly. All field welds of steel anchors must receive touch-up paint (zinc chromate) to avoid rust.
5. **SURROUNDING CONDITIONS.** Make certain that construction which will receive your materials is in accordance with the contract documents. If not, notify the general contractor in writing and resolve differences before proceeding with work.
6. **ISOLATION OF ALUMINUM.** Aluminum to be placed in direct contact with uncured masonry or incompatible materials should be isolated with a heavy coat of zinc chromate or bituminous paint (CRL **Cat. Nos. BC5GL or BC17A**).
7. **ACOUSTICAL SEALANTS.** Sealants must be compatible with all materials with which they have contact, including other sealant surfaces. Consult with sealant manufacturer for recommendations relative to joint size, shelf life, compatibility, cleaning, priming, tooling, adhesion, etc. It is the responsibility of the **Glazing Contractor** to submit a statement from the sealant manufacturer indicating that glass and glazing materials have been tested for compatibility and adhesion with glazing sealants, and interpreting test results relative to material performance, including recommendations for primers and substrate preparation required to obtain adhesion. The chemical compatibility of all glazing materials and framing sealants with each other and with like materials used in glass fabrication must be established. This is required on every project.
8. **FASTENING.** Within the body of these instructions "fastening" means any method of securing one part to another or to adjacent materials. Only those fasteners used within the system are specified in these instructions. Due to the varying perimeter conditions and performance requirements, perimeter and anchor fasteners are not specified in these instructions. For perimeter and anchor fasteners refer to the shop drawings or consult the fastener supplier.
9. **BUILDING CODES.** Due to the diversity in state/provincial local, and federal laws and codes that govern the design and application of architectural products, it is the responsibility of the individual architect, owner, and installer to assure that products selected for use on projects comply with all the applicable building codes and laws. U.S. Aluminum exercises no control over the use or application of its products, glazing materials, and operating hardware and assumes no responsibility thereof.
10. **EXPANSION JOINTS.** Expansion joints and perimeter seals shown in these instructions and in the shop drawings are shown at normal size. Actual dimensions may vary due to perimeter conditions and/or difference in metal temperature between the time of fabrication and the time of installation. Gaps between expansion members should be based on temperature at time of installation.
11. **COORDINATION WITH OTHER TRADES.** Coordinate with the general contractor any sequence with other trades which offset curtain wall installation (i.e. fire proofing, back-up walls, partitions, ceilings, mechanical ducts, converters, etc.)
12. **CARE AND MAINTENANCE.** Final cleaning of exposed aluminum surfaces should be done in accordance with AAMA 609.1 for anodized aluminum and 610.1 for painted aluminum.

IMPORTANT: READ THIS MANUAL THOROUGHLY BEFORE BEGINNING INSTALLATION

HANDLING, STORAGE, AND PROTECTION OF ALUMINUM

The following precautions are recommended to protect the material against damage. Following these precautions will help ensure early acceptance of your products and workmanship.

A. HANDLE CAREFULLY.

All aluminum materials at job site must be stored in a safe place, well removed from possible damage by other trades. Cardboard wrapped or paper interleaved materials must be kept dry.

B. CHECK ARRIVING MATERIALS.

Check for quantities and keep records of where various materials are stored.

C. KEEP MATERIALS AWAY FROM WATER, MUD, AND SPRAY.

Prevent cement plaster or other materials from damaging the finish.

D. PROTECT THE MATERIALS AFTER ERECTION.

Protect erected frame with polyethylene or canvas splatter screen. Cement, plaster, terrazzo, other alkaline solutions, and acid based materials used to clean masonry are harmful to the finish. ***If any of these materials come in contact with the aluminum, immediately remove with water and mild soap.***

TABLE OF CONTENTS

SYSTEM REQUIREMENTS	4
EXTRUSION IDENTIFICATION	4
PARTS IDENTIFICATION	5
SOUND RATED DRYWALL INSTALLATION	6
INSTALLATION NOTES	7
CLIP PLACEMENT	8
FIXED INSTALLATION	9
FIXED LITE FRAME INSTALLATION	9
Install Fixed Lite Header and Wall Jamb	9
Install Starter Sill and Sill	10
Secure Frame to Wall	11
Install Intermediate Vertical and Horizontal Mullions	12
Seal Frame at Corners and Mullions	13
GLAZING SEQUENCE	13
Glass Size	13
Install Setting Blocks	13
Install NP718 Gaskets	14
Install Glass Panels	15
TRIM INSTALLATION	16
DOOR FRAME INSTALLATION	17
Install Door Header and Door Jambs	17
Install Threshold	18
Install Trim Plates	18
Hang and Adjust Door	18
Install Closer (Optional)	18
SEAL INSTALLATION FOR DOORS RATED STC 40 AND ABOVE	18 - 19
Install Doorway Gasket	18
Install Adjustable Door Seal	19
DOOR WITH SIDELITE FRAME INSTALLATION	20 - 24
Install Door Header and Door Jamb	20
Install Sidelite Header and Wall Jamb	21
Install Sidelite Jamb at Door and Door Jamb	22
Install Threshold, Starter Sill and Sill	23
Secure Frame to Wall	24
SINGLE PANE GLAZING INSTALLATION	25 - 26
Install Filler at Interior Header and Sill	25
Install Filler at Interior Jambs and Intermediate Verticals	25
Install Filler at Interior Intermediate Horizontals	26
Install Interior Clips	26
Interior Clip Placement	26

SYSTEM REQUIREMENTS

Maximum wall thickness: 4-7/8" (124 mm).

Maximum unsupported total load on each sill: 50 lbs. (23 kg) each.

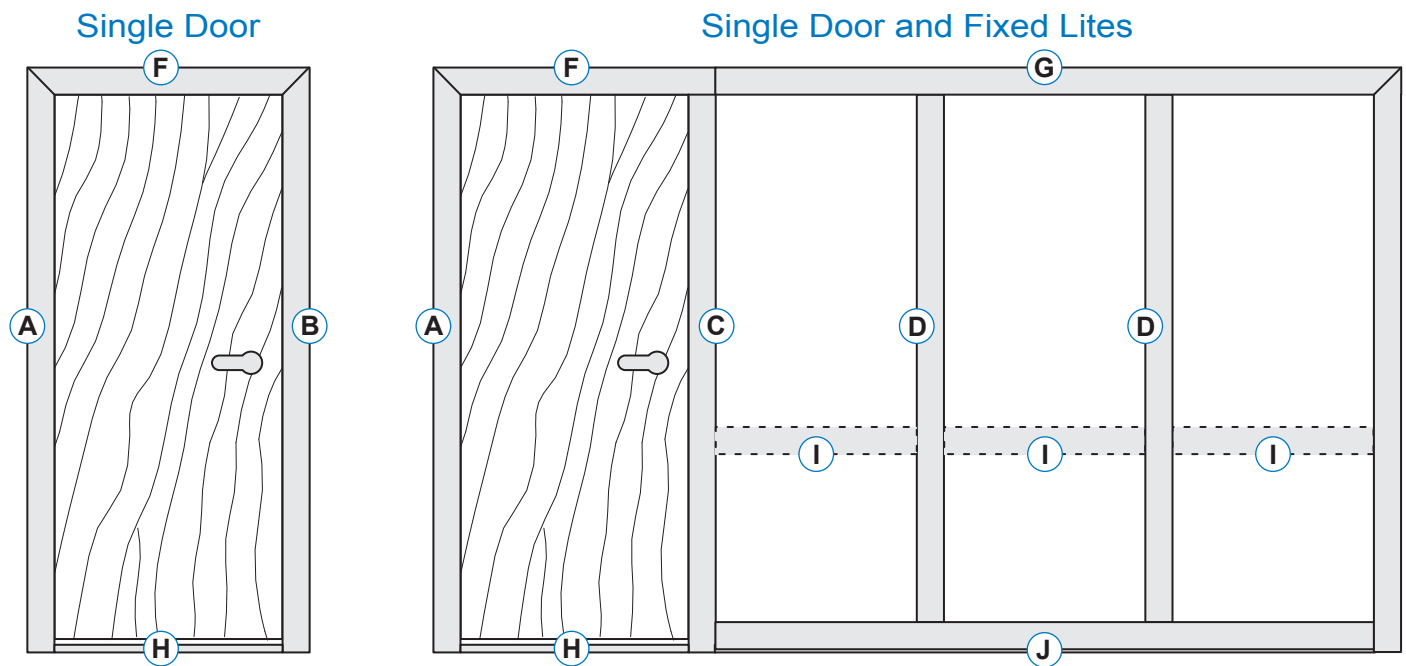
Note: Additional shim support under the sill member is required for any loads over 50 lbs (23 kg).

Interior use only.

EXTRUSION IDENTIFICATION

Your order has been carefully fabricated, inspected, and packaged to work order specifications. We have placed an Indicator Label on the inside or back side of each part before final packaging. Use the Identification Key (below) to organize and lay out each Series 487 Office Partition System before proceeding with the assembly process. The Key is viewed from the Push Side of the Door.

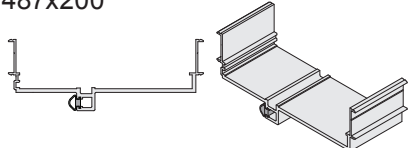
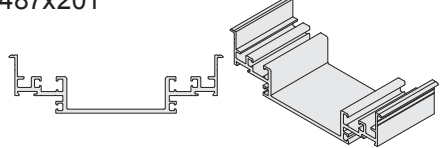
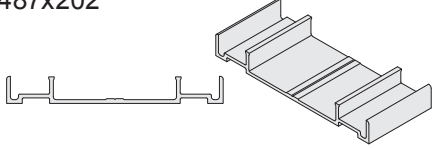
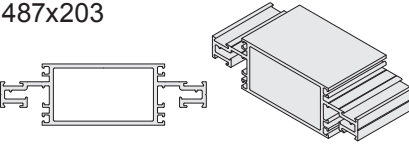
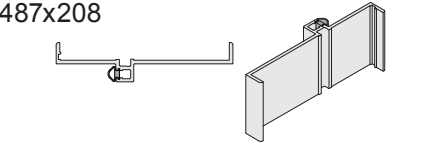
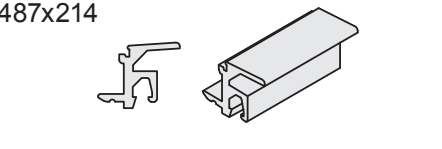
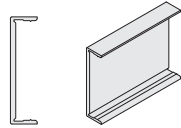
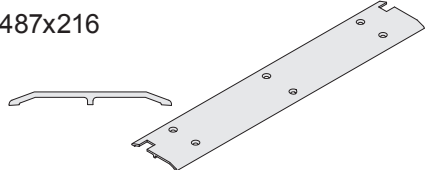
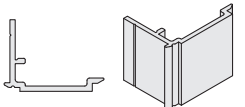
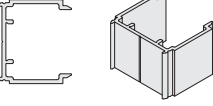
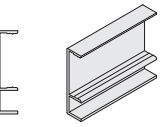
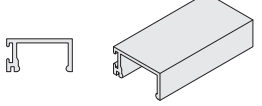

Technical support is available online at crlaurence.com and by phone at (800) 262-5151. Please have your Sales Order Number for easy reference.




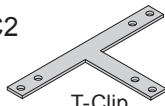

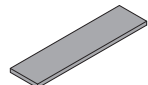
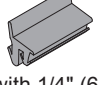
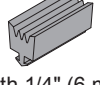
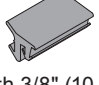
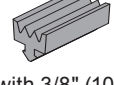
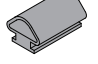
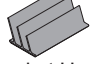
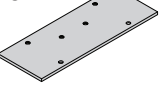
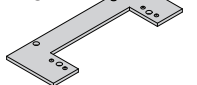





- | | |
|--------------------------------------|----------------------------------|
| A Hinge Jamb | F Door Head |
| B Strike Jamb | G Sidelite Head |
| C Strike Jamb / Fixed Mullion | H Door Threshold |
| D Intermediate Vertical | I Intermediate Horizontal |
| E Sidelite Wall Jamb | J Sidelite Sill |

PARTS IDENTIFICATION

EXTRUSION PART NUMBER

<p>487x200</p>  <p>Door Frame Head and Jamb</p>	<p>487x201</p>  <p>Sidelite Head, Sill, and Wall Jamb</p>	<p>487x202</p>  <p>Starter Sill</p>
<p>487x203</p>  <p>Intermediate Mullion</p>	<p>487x208</p>  <p>Door Frame Insert</p>	<p>487x214</p>  <p>Glazing Adaptor</p>
<p>487x215</p>  <p>1-1/2" Face Cap</p>	<p>487x216</p>  <p>Threshold</p>	<p>487x217</p>  <p>Single Pocket Filler</p>
<p>487x218</p>  <p>Dual Pocket Filler</p>	<p>487x015</p>  <p>1-1/2" Trim Strip</p>	<p>DS036</p>  <p>Use with Doors Rated STC 40 and Above</p>
<p>Zero #475 by Others</p>  <p>Adjustable Door Seal Body and Cover Use with Doors Rated STC 40 and Above</p>		

ACCESSORY PART NUMBER

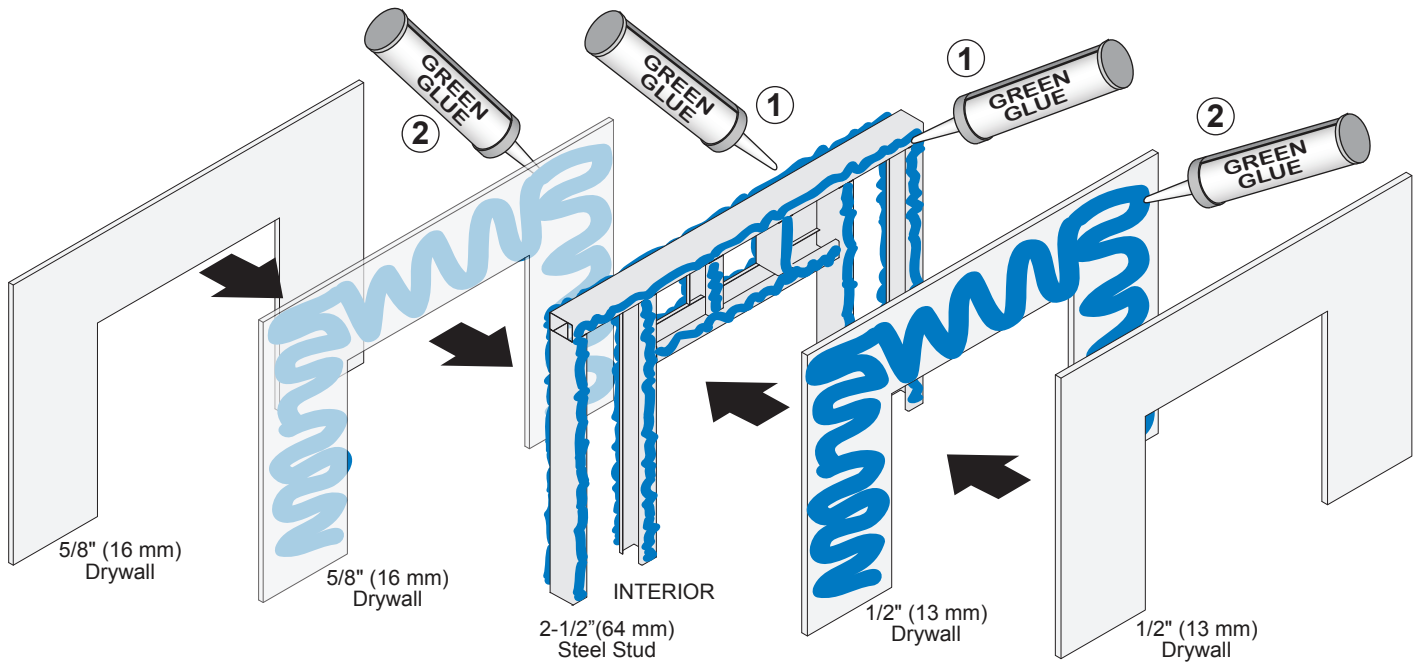
<p>487C1</p>  <p>Corner Clip</p>	<p>487C2</p>  <p>T-Clip</p>	<p>20061601</p>  <p>Use with 487C1 and 487C2 Clips</p>	<p>SB574</p>  <p>Setting Block</p>
<p>NP225</p>  <p>Use with 1/4" (6 mm) Laminated Glass</p>	<p>NP718</p>  <p>Use with 1/4" (6 mm) Laminated Glass</p>	<p>NP238</p>  <p>Use with 3/8" (10 mm) Laminated Glass</p>	<p>NP716</p>  <p>Use with 3/8" (10 mm) Laminated Glass</p>
<p>NP600C</p>  <p>Door Gasket (Installed)</p>	<p>Pempko #S773 by Others</p>  <p>Doorway Gasket Use with Doors Rated STC 40 and Above</p>	<p>487RBP5</p>  <p>Strike Backup Plate</p>	<p>487RBP6</p>  <p>Hinge Backup Plate</p>
<p>8X58HWSMS</p> 	<p>6X2WD</p> 	<p>ST242</p>  <p>Use with MC037 Clip</p>	<p>6X12PHPSMS</p>  <p>Use with Adjustable Door Seal</p>
<p>MC037</p>  <p>Snap Clip for DS036</p>			

SOUND RATED DRYWALL INSTALLATION

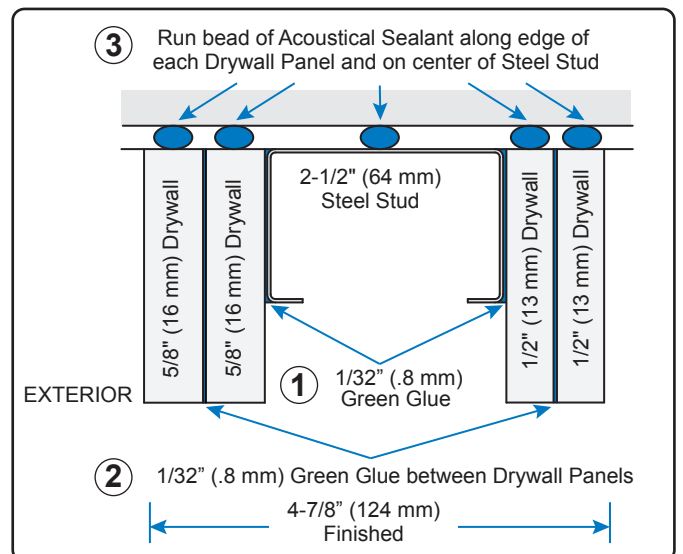
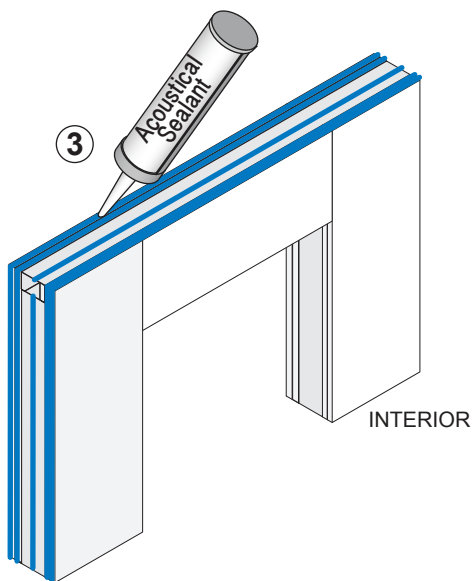
Follow instructions below for typical STC 52 rated wall installations. Refer to the CRL shop drawings for overall layout and to confirm dimensions.

NOTE: Use 2-1/2" (64 mm) Steel Studs with two 1/2" (13 mm) Drywall Panels at interior and two 5/8" (16 mm) Drywall Panels at exterior. Separate panels with Green Glue as shown.

- ① Apply 1/32" (.8 mm) Green Glue on Steel Studs and install first layer of Drywall Panels.
- ② Apply 1/32" (.8 mm) Green Glue and install second layer of Drywall Panels.



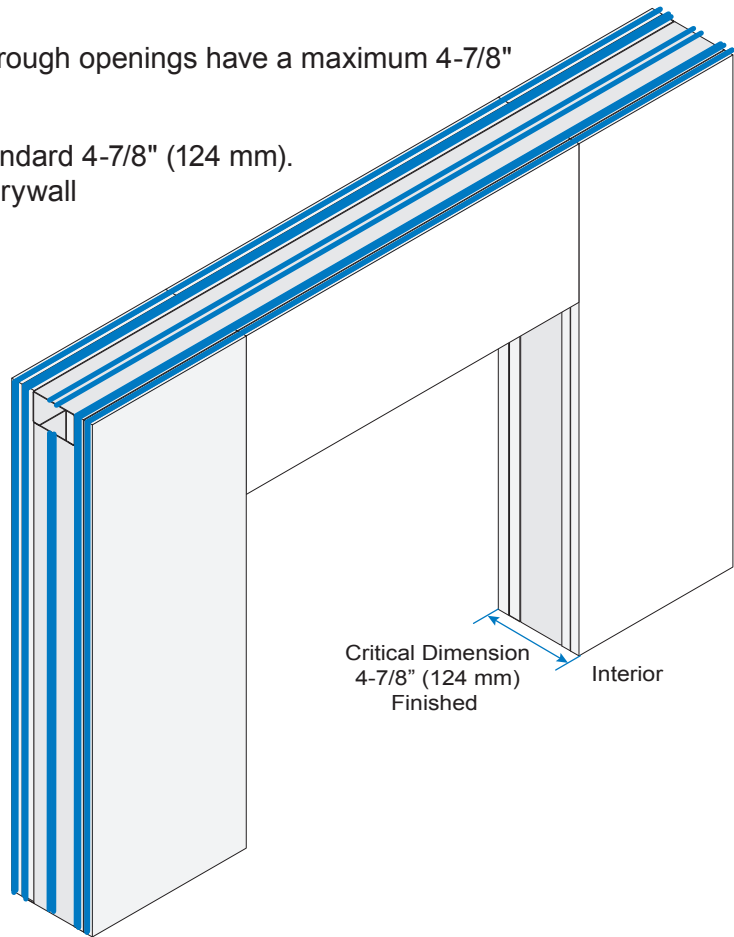
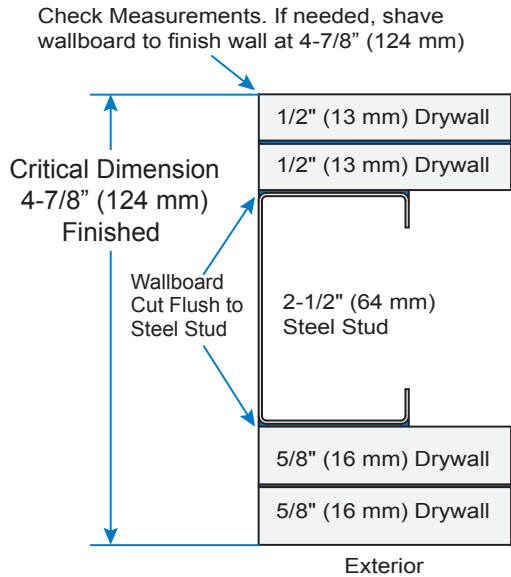
- ③ Run bead of Acoustical Sealant along edge of each Drywall Panel. Run another bead on center of Steel Studs at ceiling and sides.



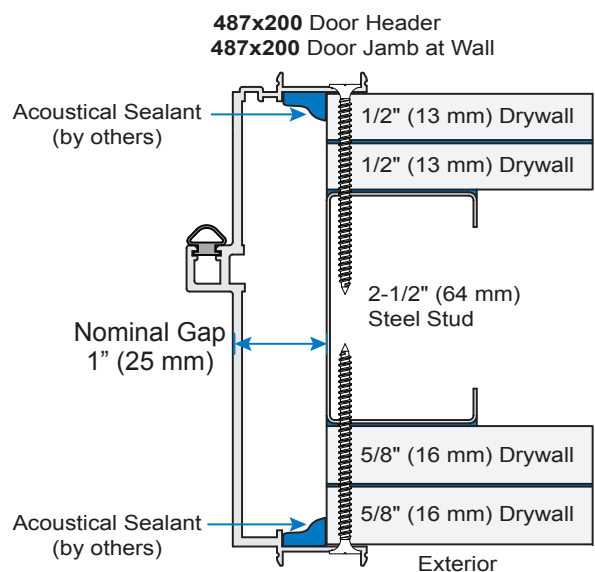
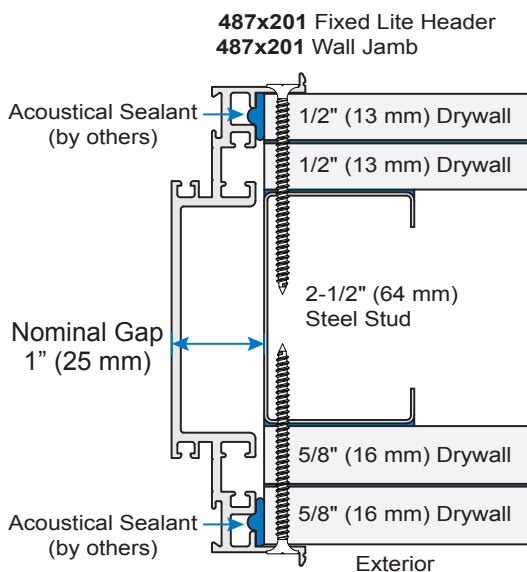
INSTALLATION NOTES

The 487 Office Partition system requires that all rough openings have a maximum 4-7/8" (124 mm) finished wall thickness.

NOTE: Ensure drywall thickness finishes at a standard 4-7/8" (124 mm). Cut wallboard flush with the metal stud. Ensure drywall is square and plumb.

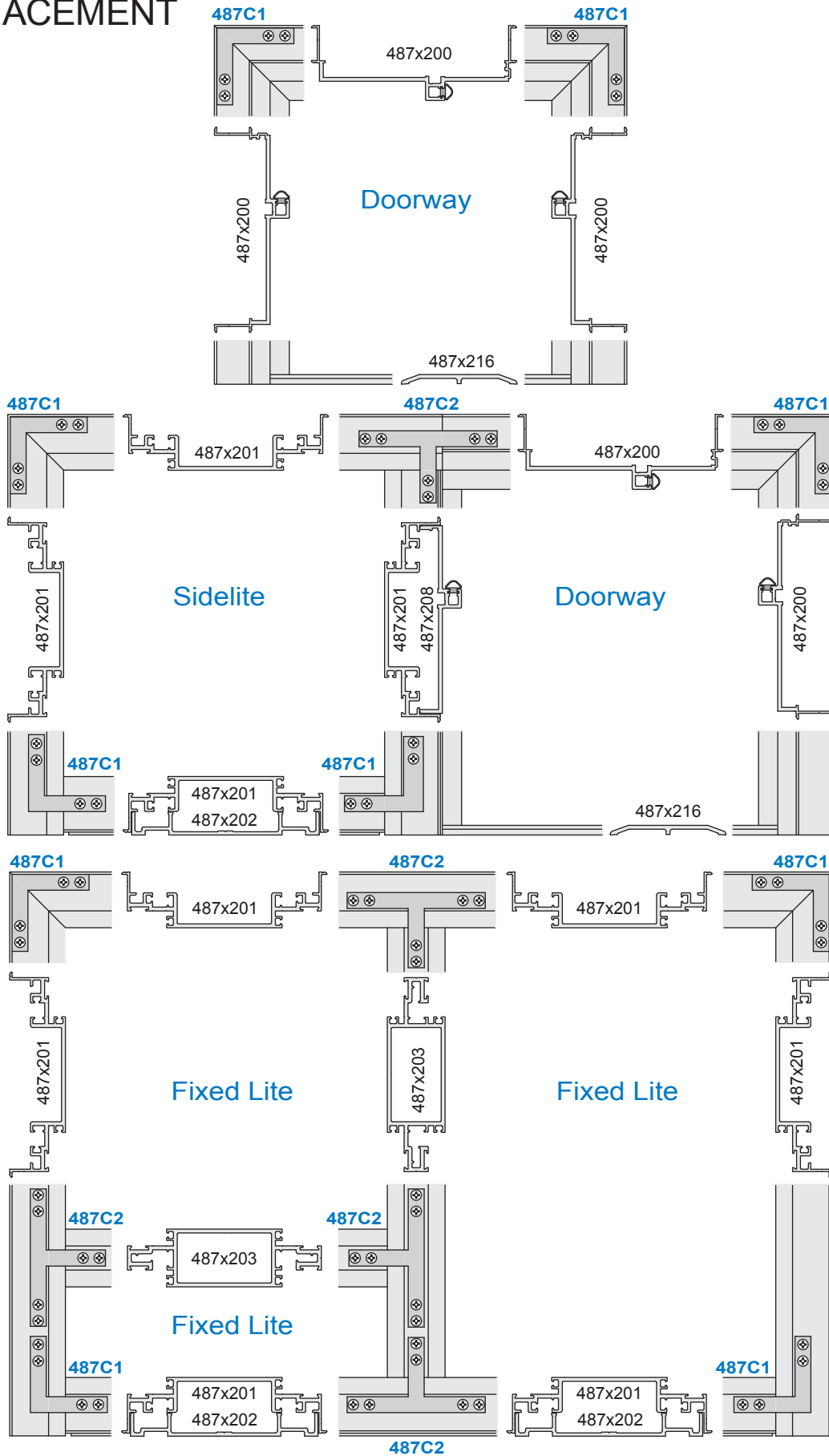


Maintain a nominal gap to allow for plus or minus adjustments when leveling and plumbing. Use 1" (25 mm) gap for sill, sidelite head and wall jambs and 3/4" (19 mm) nominal gap for door frame at wall.



Unless requested otherwise, all vertical members are cut with an additional 1-5/8" (41.3 mm) scribe length to allow for varying unlevel floor conditions. Do not trim scribe from the notched end of door frame or mitered ends of jambs, glass stops and trim strips.

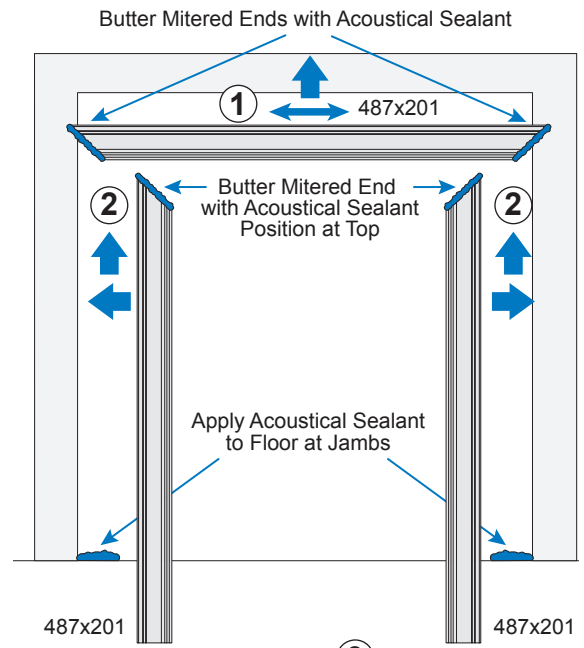
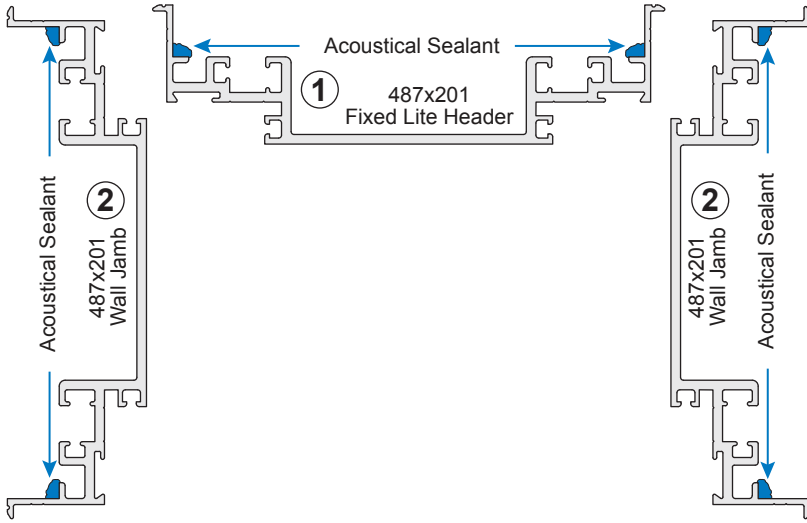
CLIP PLACEMENT



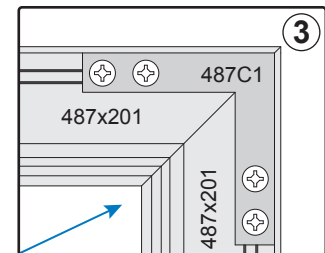
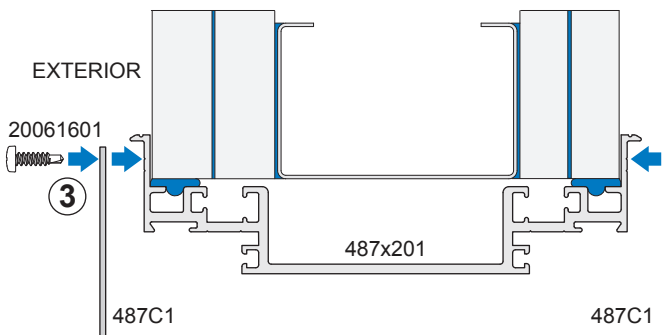
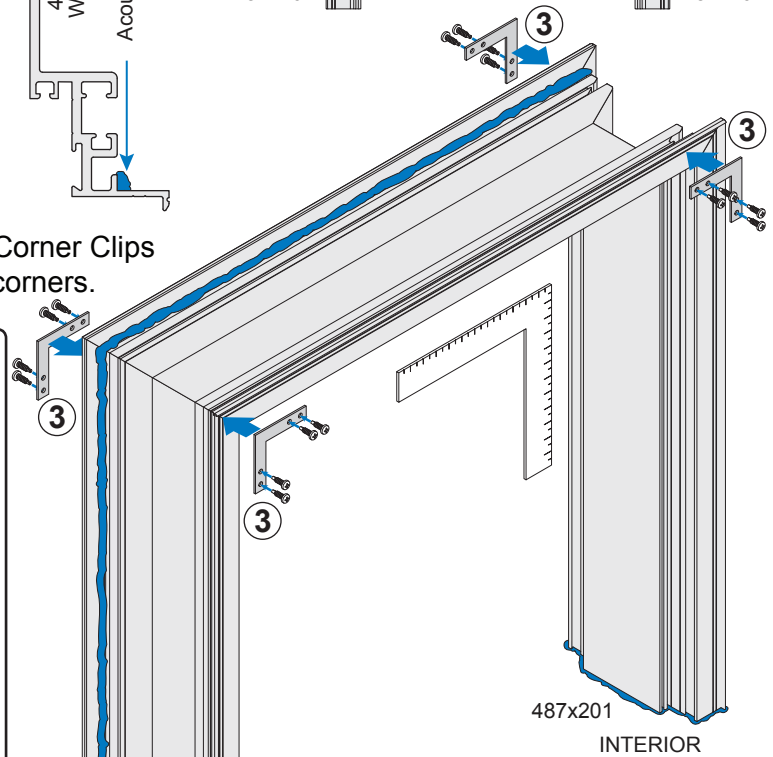
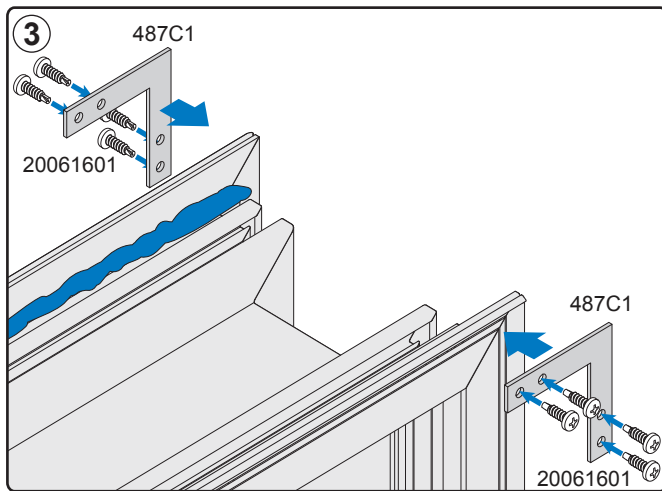
FIXED LITE FRAME INSTALLATION

Install Fixed Lite Header and Wall Jamb

- ① Seal inside Header and butter mitered ends with Acoustical Sealant. Level and center Header horizontally in opening.
- ② Seal inside Jambs and butter mitered end with Acoustical Sealant. Install at each wall with mitered end at top.
NOTE: Apply Acoustical Sealant to floor.



- ③ Square and plumb frame. Secure with 487C1 Corner Clips and 20061601 Screws at interior and exterior corners.

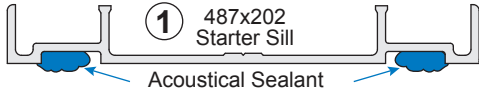


NOTE: Position 487C1 Corner Clips so screws secure frame to drywall.

FIXED LITE FRAME INSTALLATION (CONTINUED)

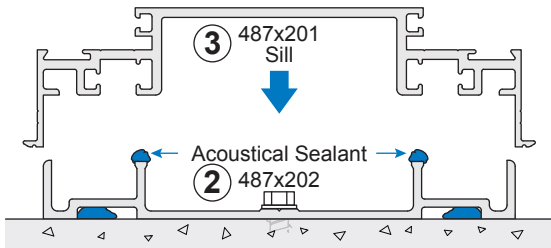
Install Starter Sill and Sill

- 1 Apply Acoustical Sealant to bottom of 487x202 Starter Sill. Center in opening and secure.

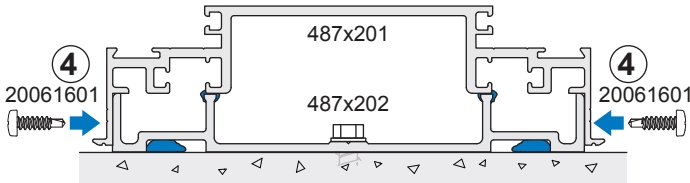


NOTE: Starter Sill is cut 1/8" (3 mm) shorter than the D.L.O.

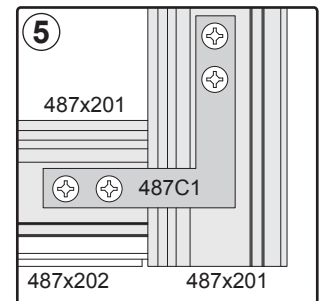
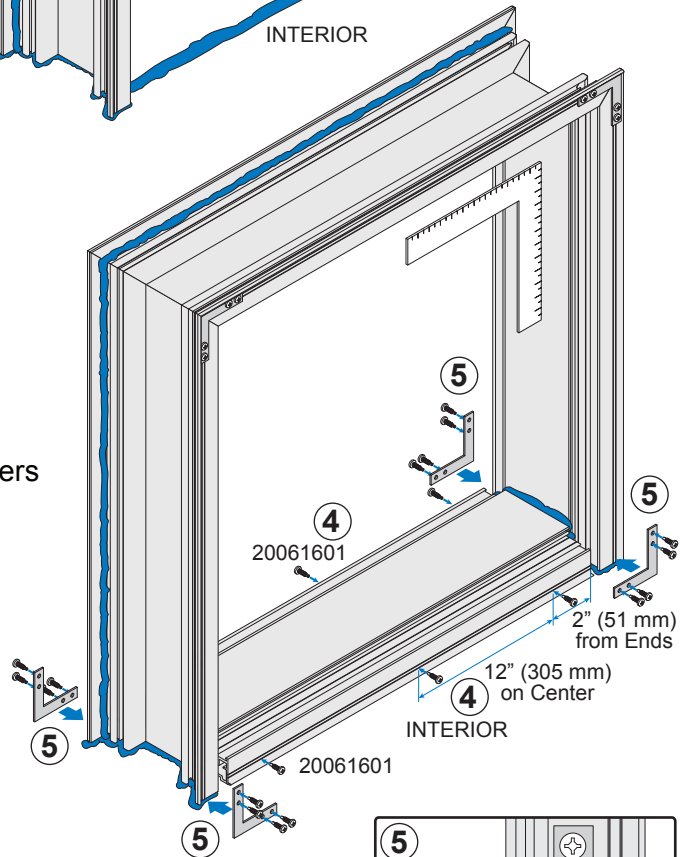
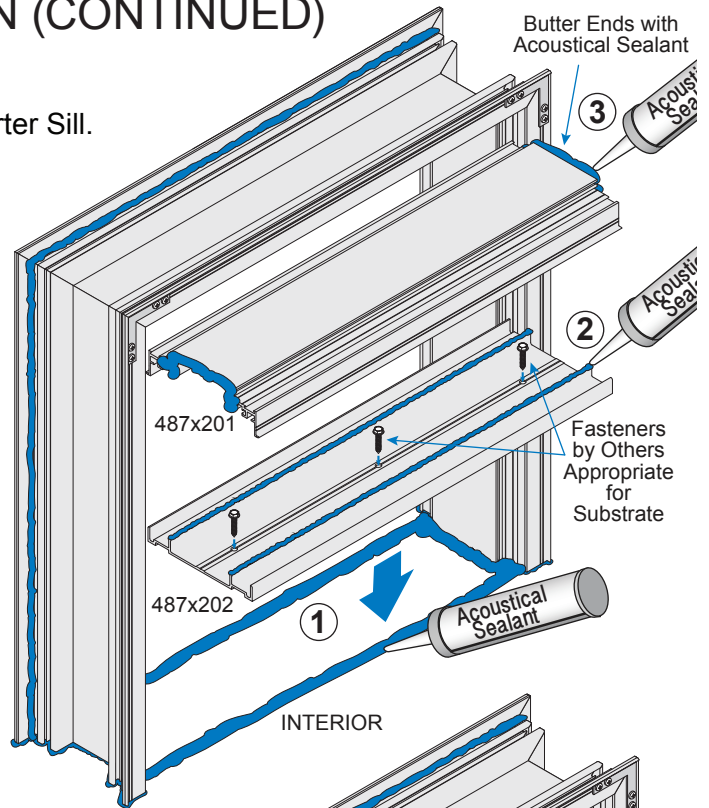
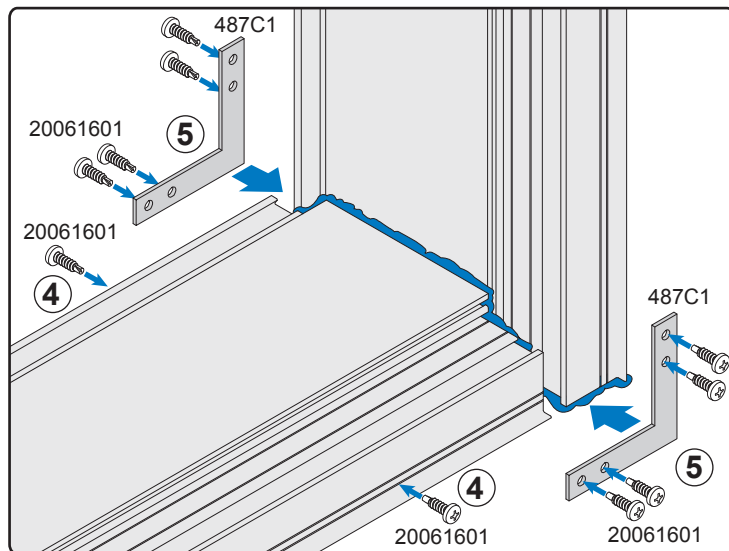
- 2 Apply Acoustical Sealant to Starter Sill.
- 3 Butter ends of 487x201 Sill with Acoustical Sealant and install.



- 4 Level and secure Sill to Starter Sill at interior and exterior with 20061601 Screws. Space screws 2" (51 mm) from ends and 12" (305 mm) on center.



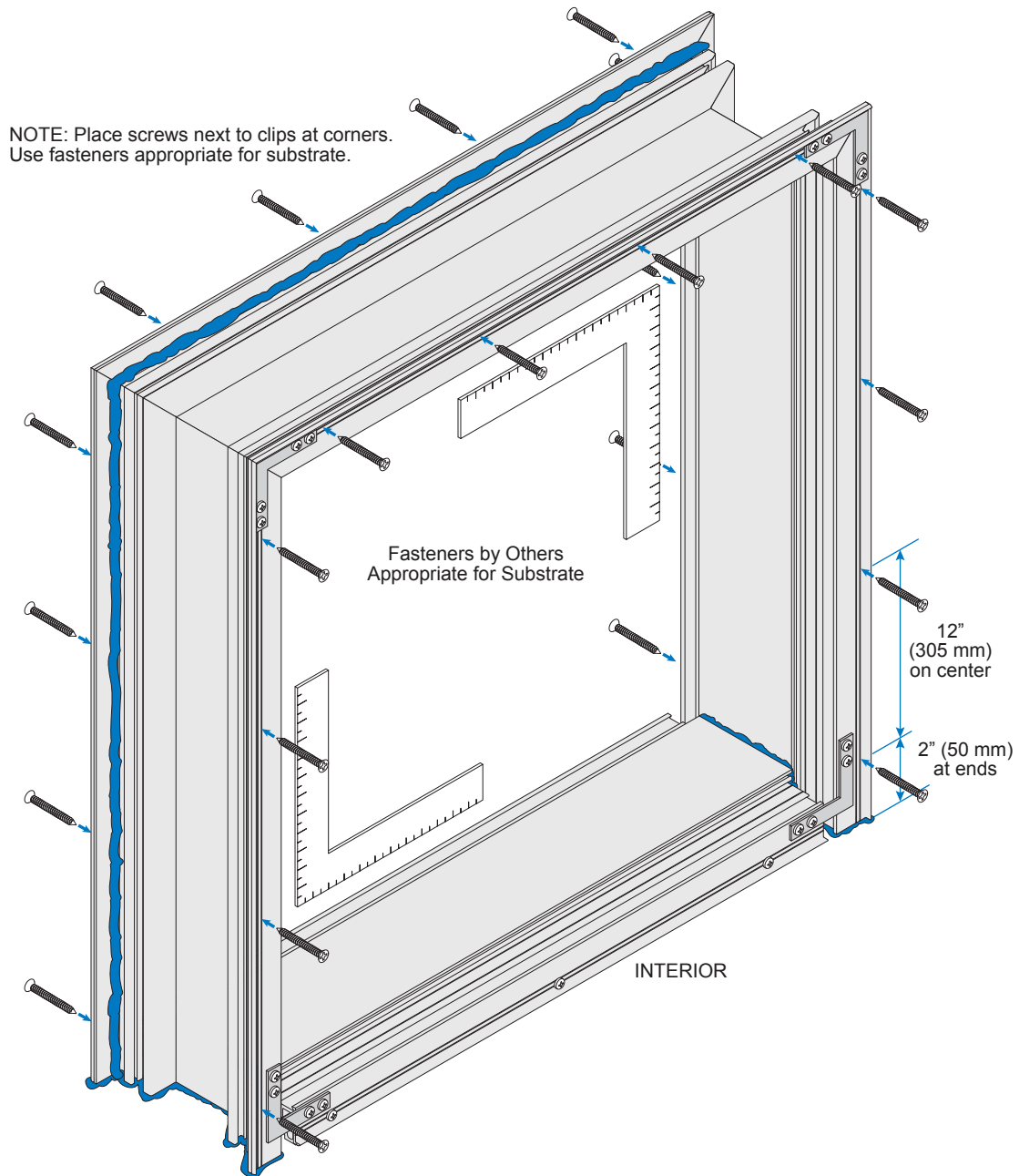
- 5 Secure to Jamb at interior and exterior bottom corners with 487C1 Corner Clips and 20061601 Screws.



FIXED LITE FRAME INSTALLATION (CONTINUED)

Secure Frame to Wall

Square and plumb frame. Secure frame to wall at interior and exterior. Space screws 2" (50 mm) from ends and 12" (305 mm) on center.

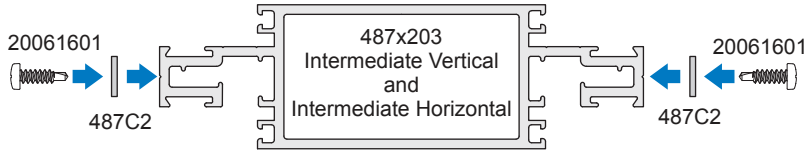


NOTE: If no Intermediate Vertical and/or Horizontal Mullions are required, proceed to Frame Sealing on Page 12.

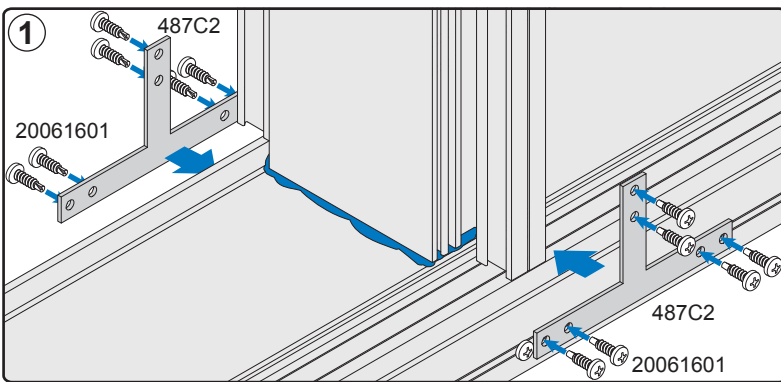
FIXED LITE FRAME INSTALLATION (CONTINUED)

Install Intermediate Vertical and Horizontal Mullions

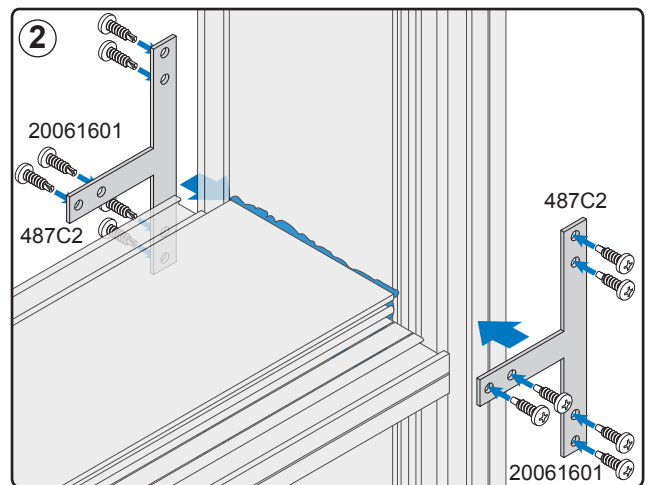
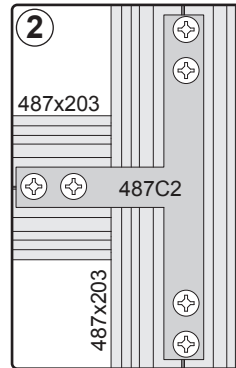
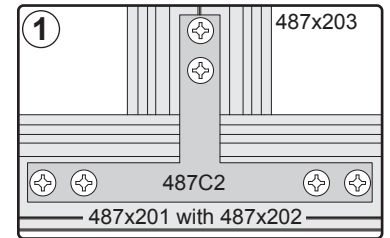
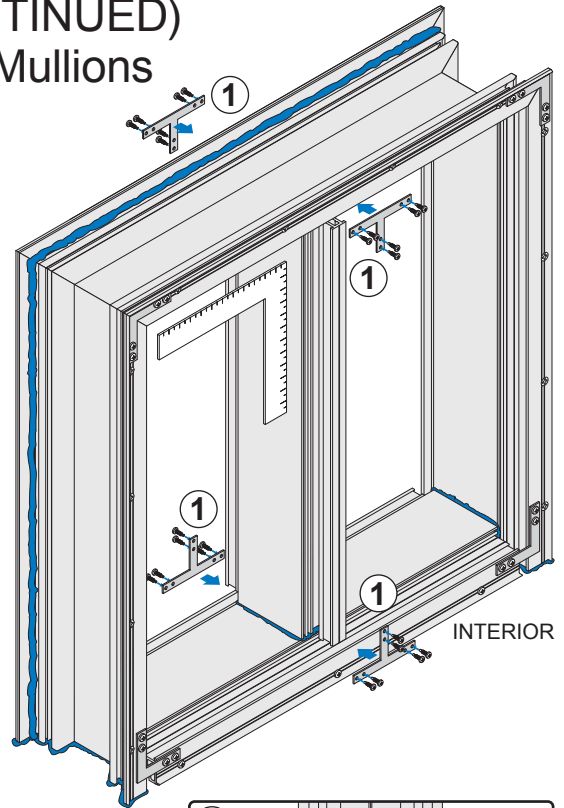
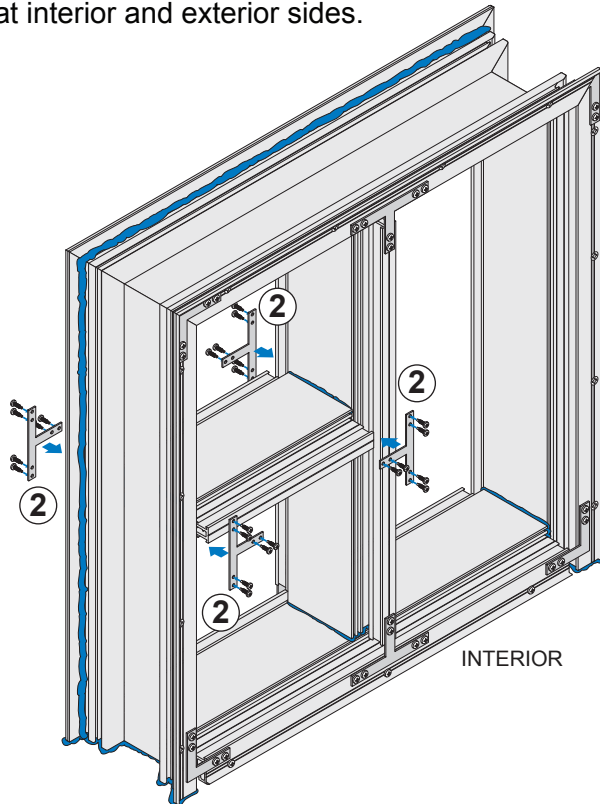
NOTE: Install 487x203 Intermediate Verticals before installing 487x203 Intermediate Horizontals. Butter ends with Acoustical Sealant before installing.



- 1 Install Intermediate Verticals between Sidelite Header and Sill. Square and plumb. Secure with 487C2 T-Clips and 20061601 Screws at interior and exterior top and bottom.



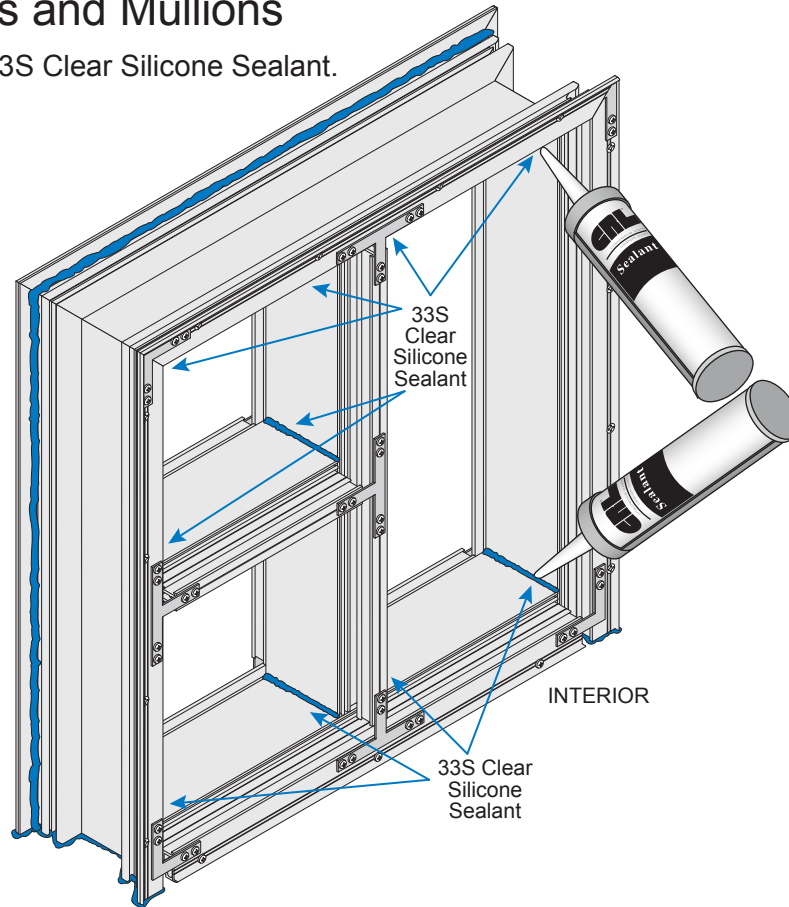
- 2 Install Intermediate Horizontals. Square and plumb. Secure with 487C2 T-Clips and 20061601 Screws at interior and exterior sides.



FIXED LITE FRAME INSTALLATION (CONTINUED)

Seal Frame at Corners and Mullions

Seal and tool at all corners with 33S Clear Silicone Sealant.



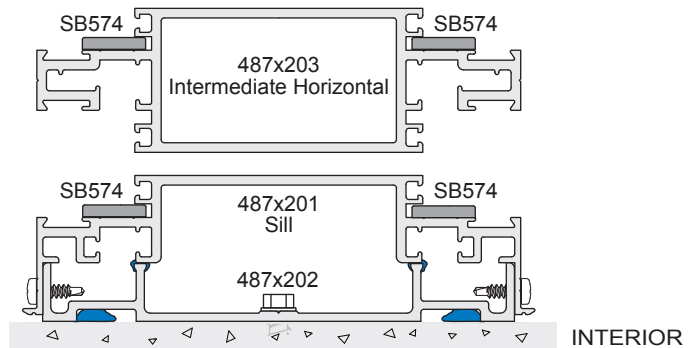
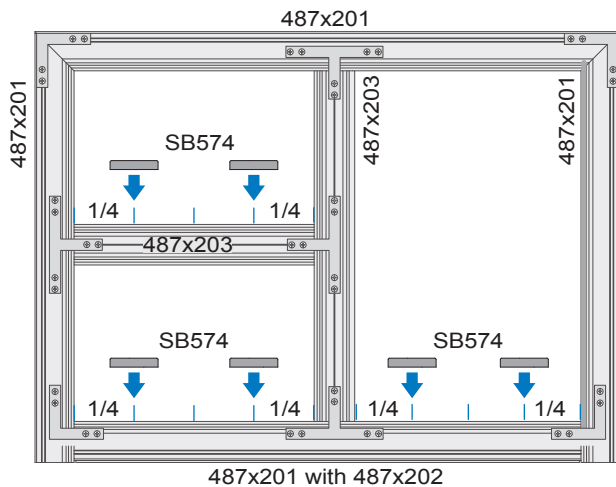
GLAZING SEQUENCE

Glass Size

Glass Size = D.L.O. + 5/8" (16 mm) or allow 5/16" (8 mm) Glass Bite at Each Pocket

Install Setting Blocks

Place SB574 Setting Blocks at quarter points in each interior and exterior opening.

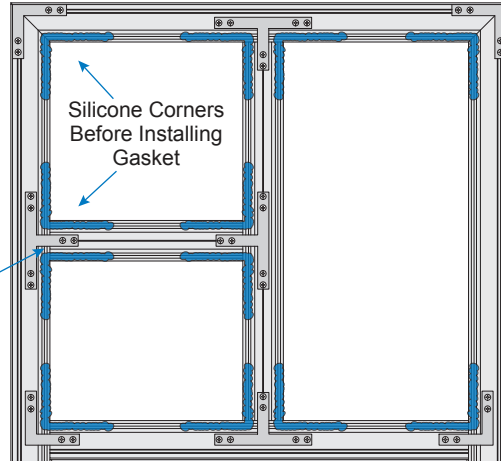
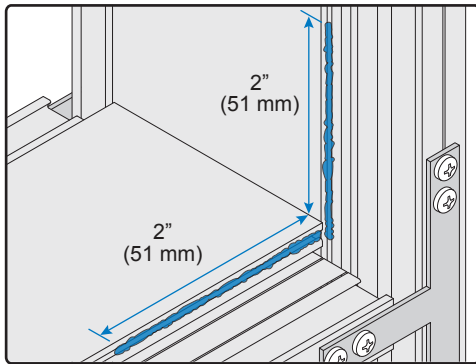


GLAZING SEQUENCE (CONTINUED)

Install NP718 Gaskets

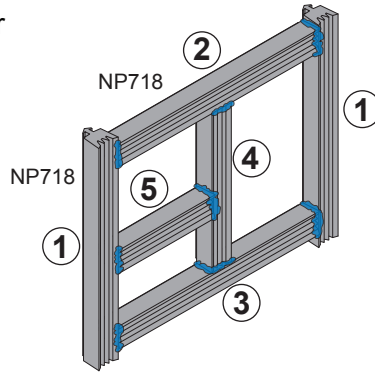
Install NP718 Gasket in pieces in the order shown below. Before inserting gasket, apply Silicone at each corner of frame. Silicone and butt ends of gaskets. Install at interior and exterior.

Silicone frame reglets 2" (51 mm) at corners before installing gasket.



NP718 Gasket Installation Order

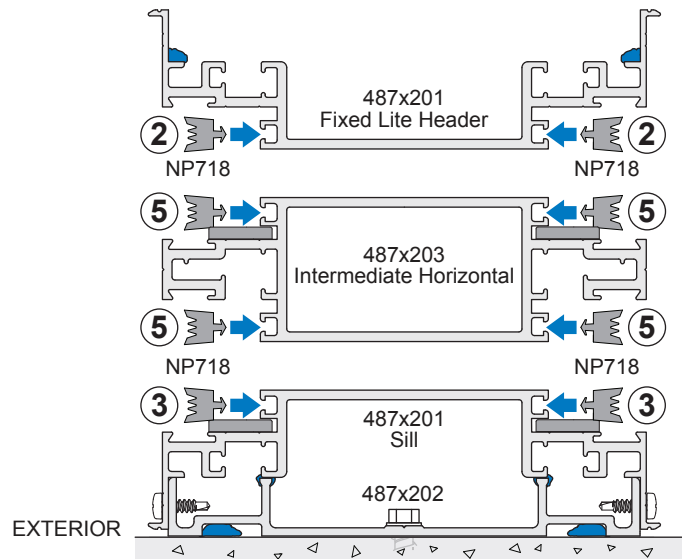
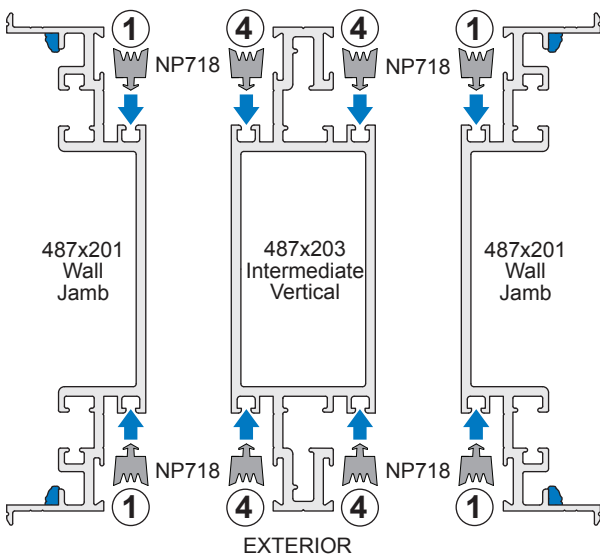
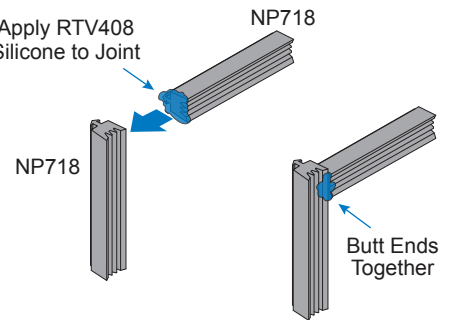
- ① Jamb
- ② Head
- ③ Sill
- ④ Intermediate Vertical
- ⑤ Intermediate Horizontal



NOTE: Intermediates have two rows of Gaskets. Only one row is shown above.

Silicone and Butt Ends of Gasket

Apply RTV408 Silicone to Joint

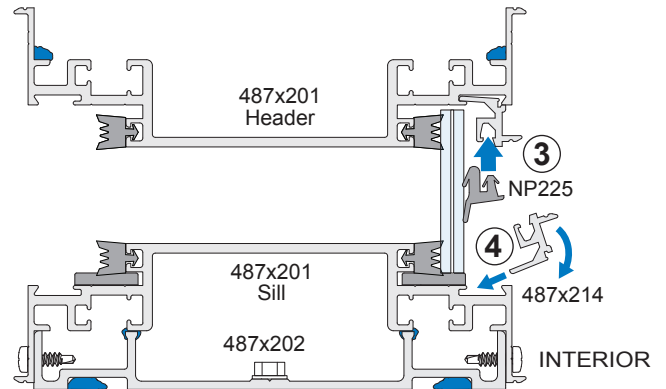
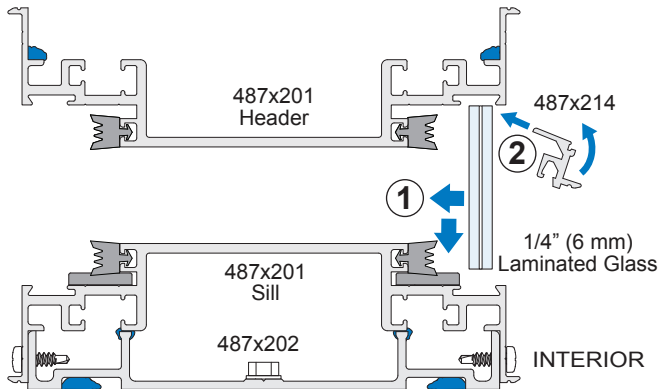


GLAZING SEQUENCE (CONTINUED)

Install Glass Panels

Install one panel at a time. Horizontal 487x214 Glazing Beads run through. Install NP225 Gasket in continuous loop for each opening. Cut Gasket 1/8" (3 mm) longer per foot. Crowd into reglet.

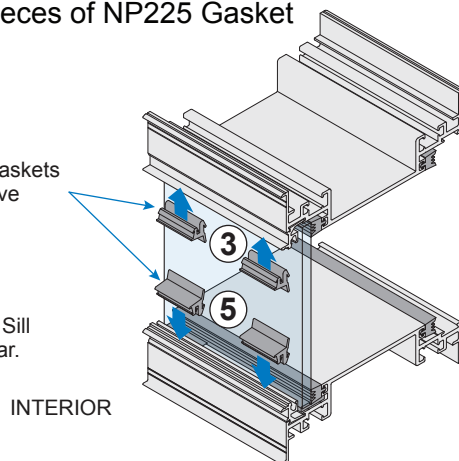
- ① Place Glass Panel on Setting Blocks and center in opening. Hold vertical.
- ② Insert 487x214 Glazing Bead at Head.
- ③ Use 1" (25 mm) pieces of NP225 Gasket near ends of Head to temporarily hold glass.
- ④ Insert 487x214 Glazing Bead at Sill.



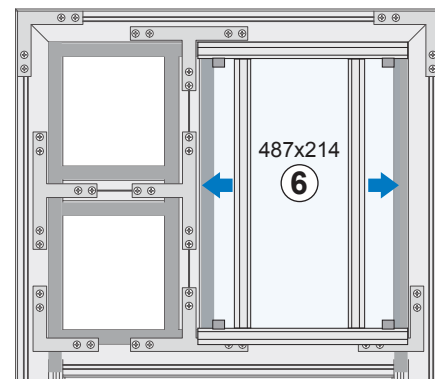
- ⑤ Use 1" (25 mm) pieces of NP225 Gasket near ends of Sill.

Insert temporary NP225 Gaskets near ends of Panel. Remove when installing continuous gasket.

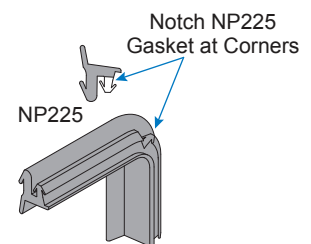
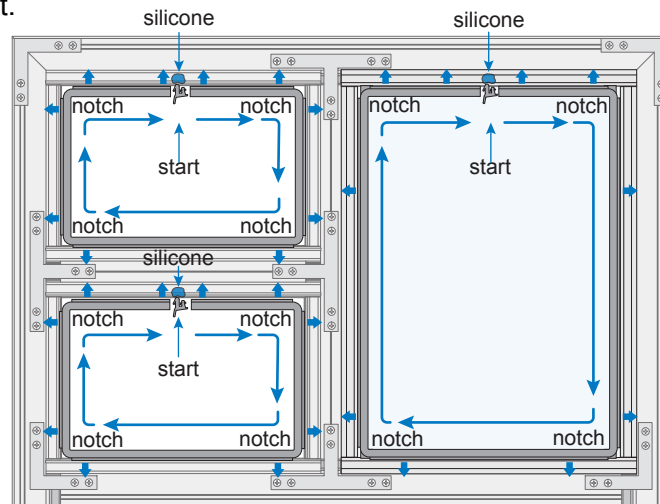
NOTE: Exterior Header to Sill panel shown. Others similar.



- ⑥ Install 487x214 Glazing Bead at Verticals.



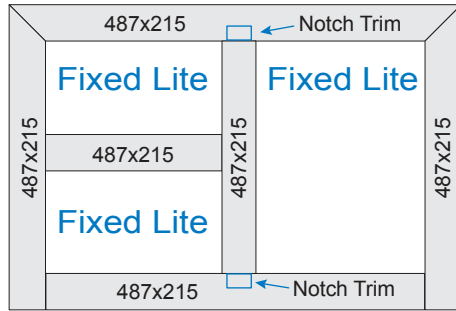
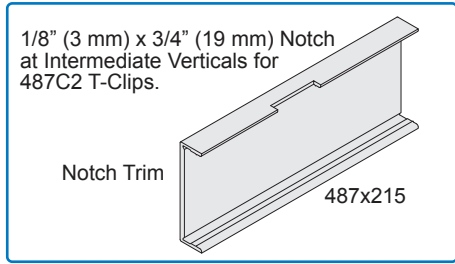
- ⑦ Cut NP225 Gasket 1/8" (3 mm) longer per foot and crowd into reglet. Begin at center top and notch at corners. Silicone joint.



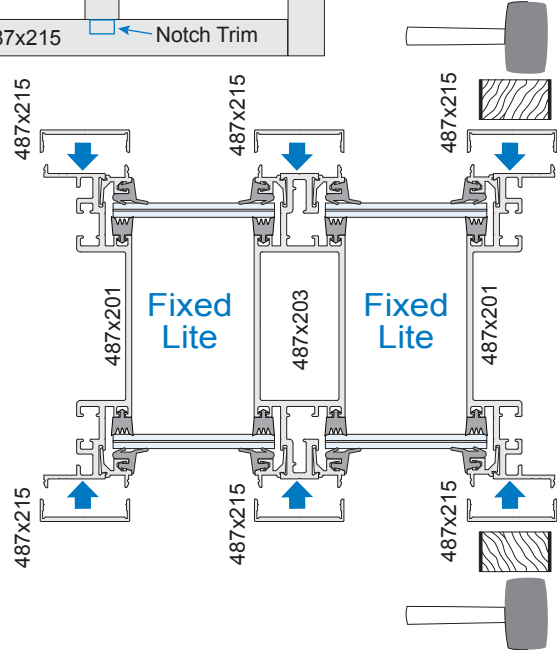
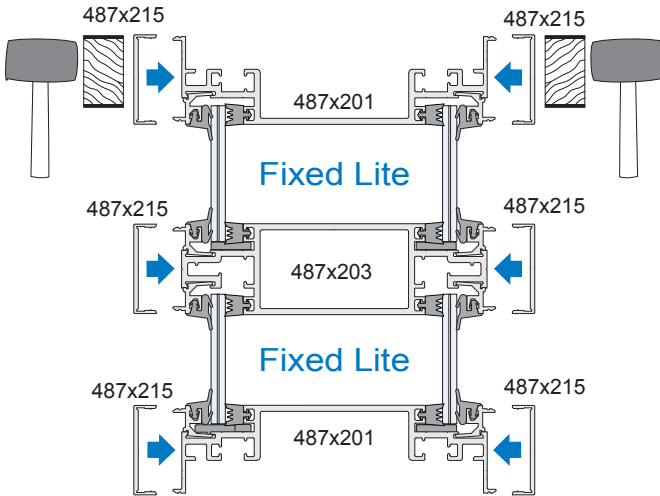
- ⑧ Repeat Steps 1 - 7 above to install Exterior Panels.

TRIM INSTALLATION

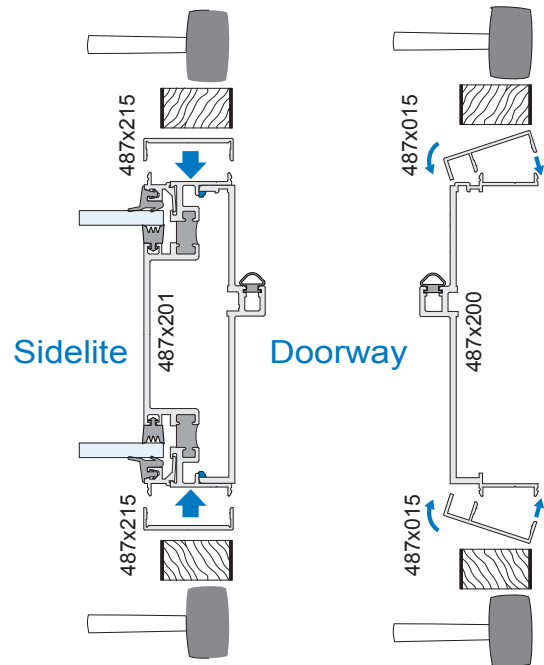
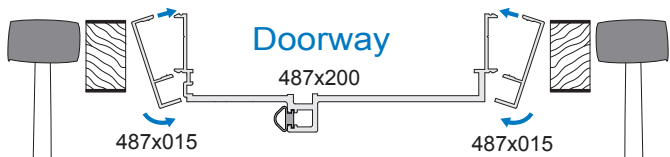
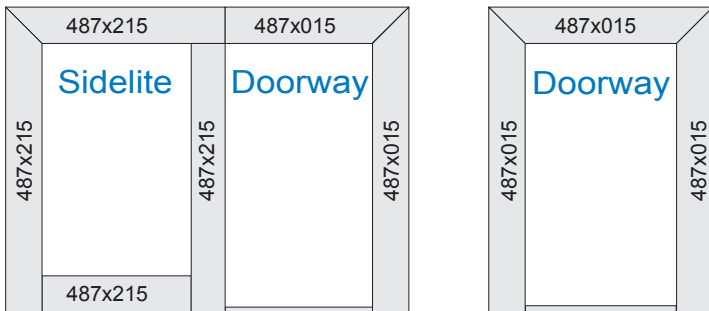
Install 487x015 Trim Plates on 487x200 Door Header and Jambs. Install 487x215 Trim Plates on 487x201 and 487x203 members. Position mitered ends as shown below. Notch Horizontal Trim Plates at Intermediate Verticals for 487C2 T-Clips.



NOTE: Tap 487x215 Trim Plates with rubber mallet and block of wood to install.



NOTE: Tap 487x015 Trim Plate with rubber mallet and block of wood to install at Doorway.

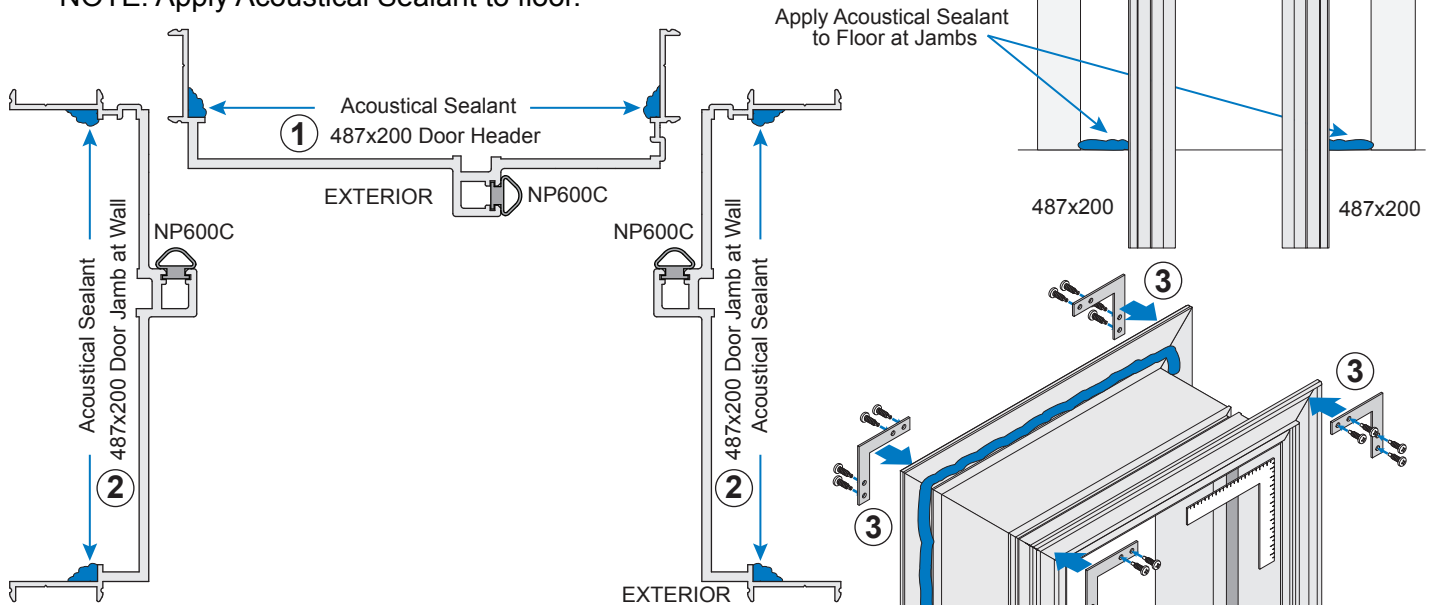


DOOR FRAME INSTALLATION

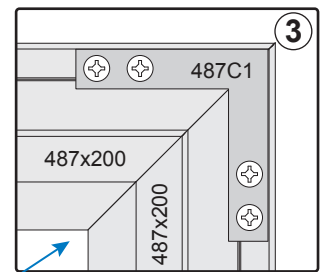
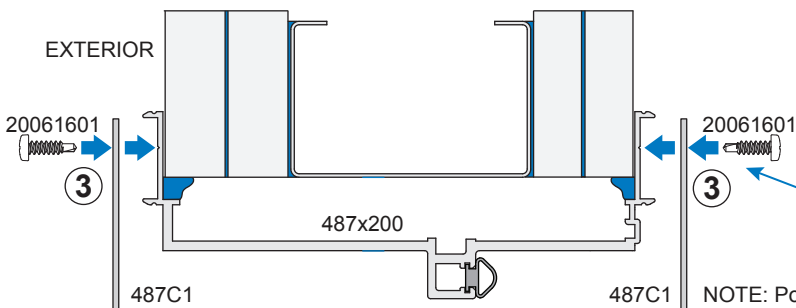
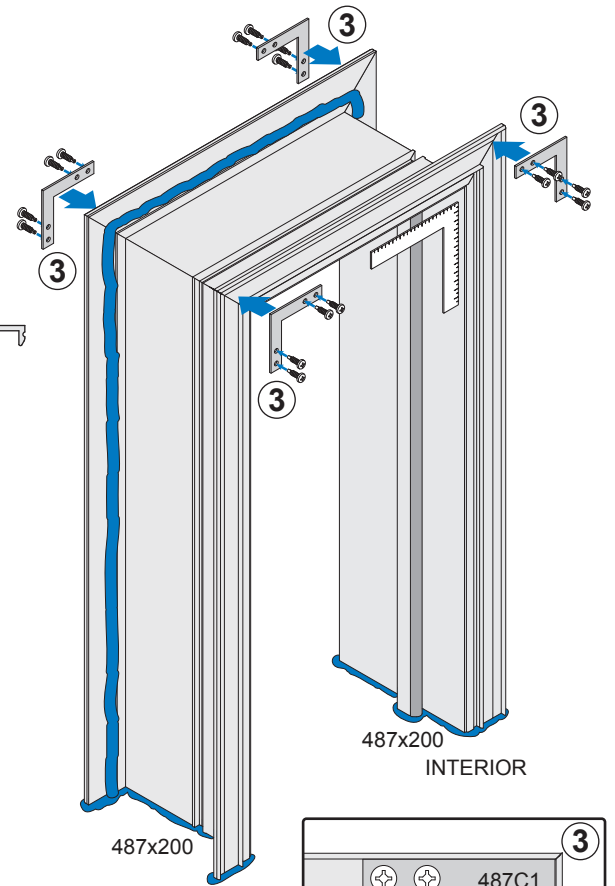
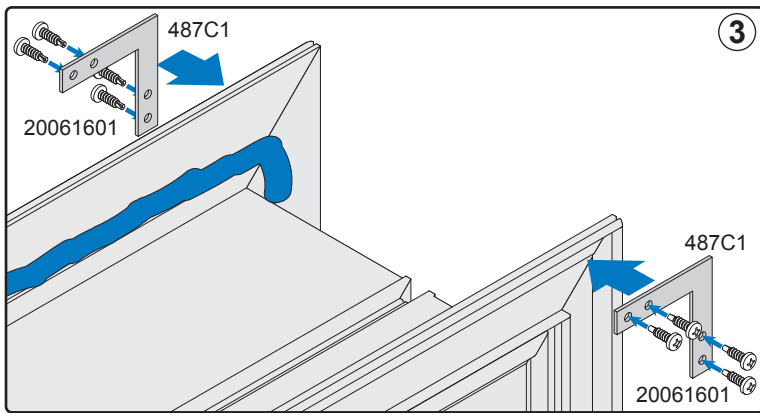
Install Door Header and Door Jambs

NOTE: Review Pages 6 and 7 to ensure the drywall is properly prepped before beginning.

- ① Seal inside Door Header and butter mitered ends with Acoustical Sealant. Level and center horizontally in opening.
 - ② Seal inside Door Jambs and butter mitered end with Acoustical Sealant. Install at each wall with mitered end at top.
- NOTE: Apply Acoustical Sealant to floor.



- ③ Square and plumb frame. Secure at interior and exterior corners with 487C1 Corner Clips and 20061601 Screws.

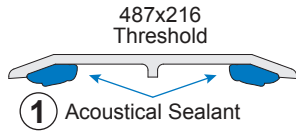


NOTE: Position 487C1 Corner Clips so screws secure frame to drywall.

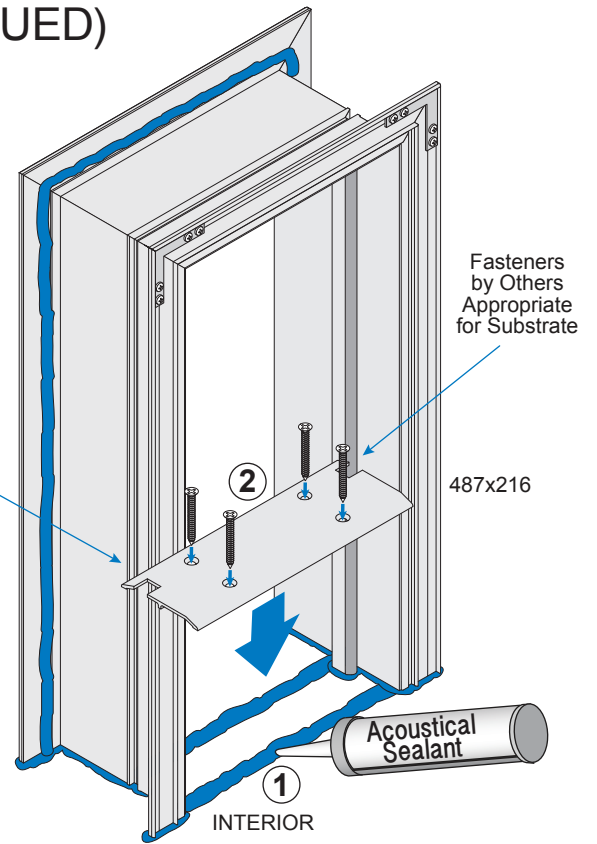
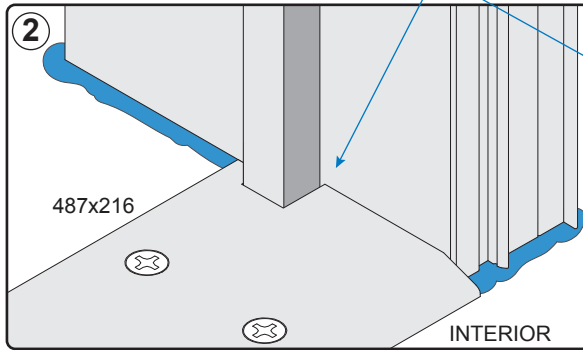
DOOR FRAME INSTALLATION (CONTINUED)

Install Threshold

- ① Apply Acoustical Sealant.
- ② Center Threshold in opening and secure.



NOTE: Threshold is notched for Door Stop.



Install Trim Plates

Follow instructions on Page 16.

Hang and Adjust Door

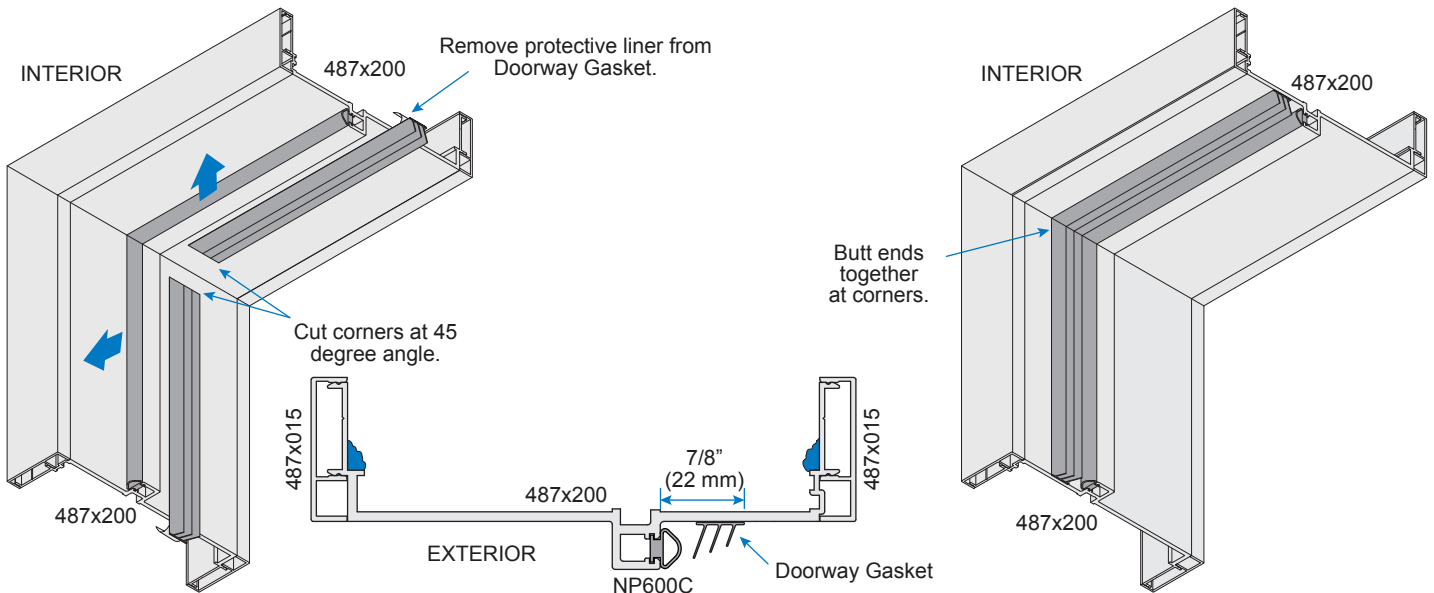
Follow the Installation Instructions included with your door.

Install Closer (Optional)

SEAL INSTALLATION FOR DOORS RATED STC 40 AND ABOVE

Install Doorway Gasket

Remove protective liner from back of Doorway Gasket. Install on Door Header and Jambs as shown. Cut at ends 45 degree angle and butt at corners.



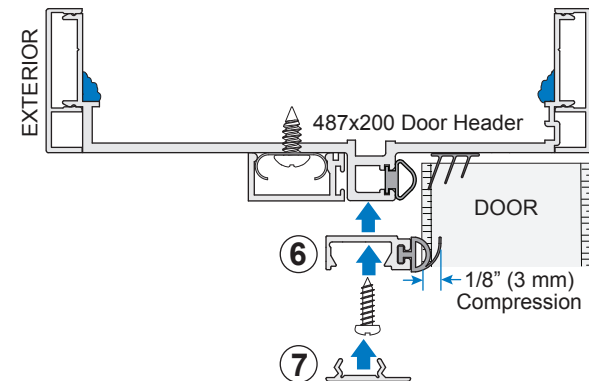
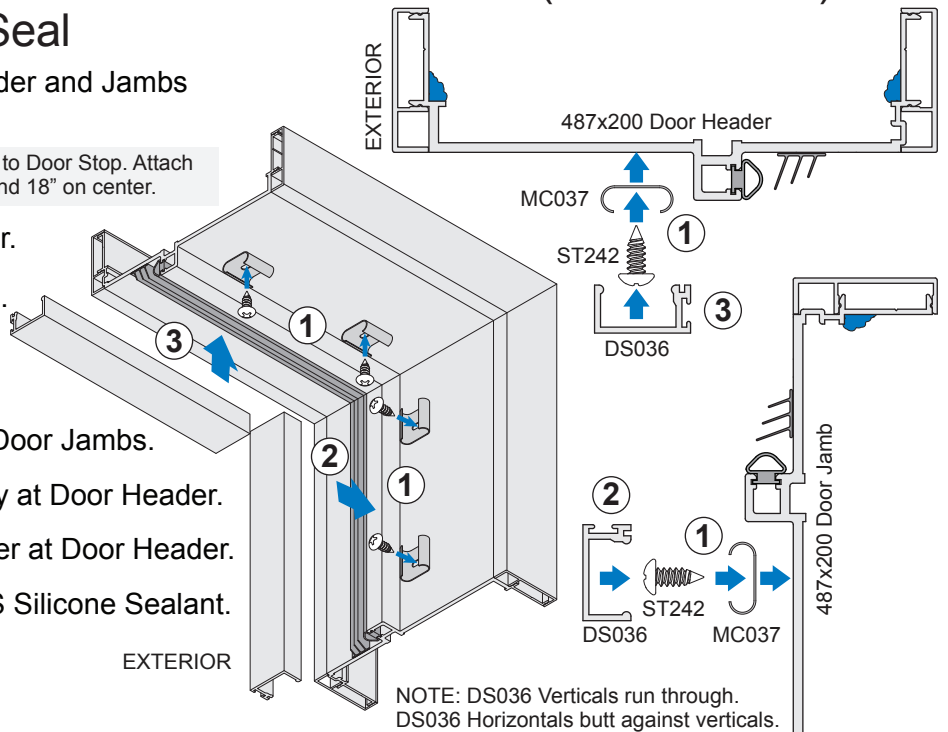
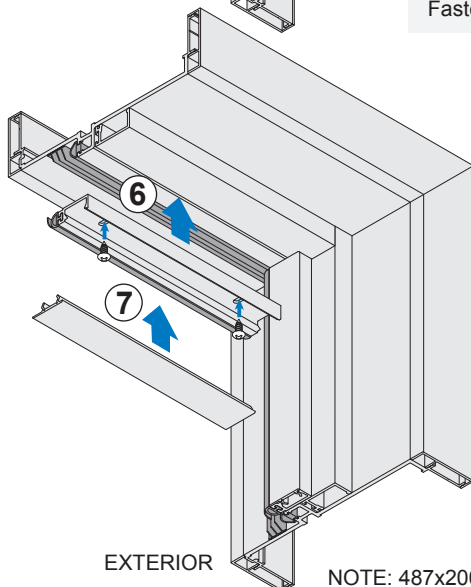
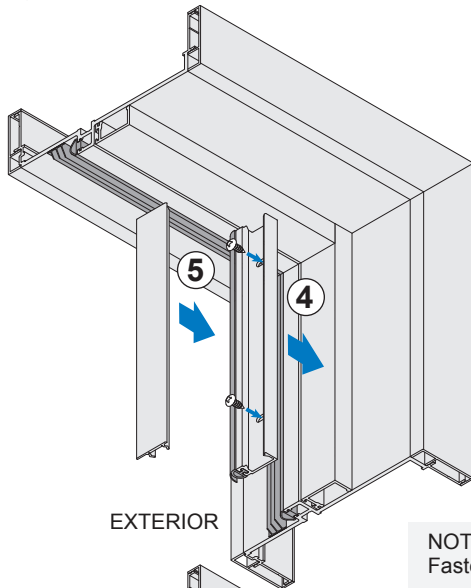
SEAL FOR DOORS RATED STC 40 AND ABOVE (CONTINUED)

Install Adjustable Door Seal

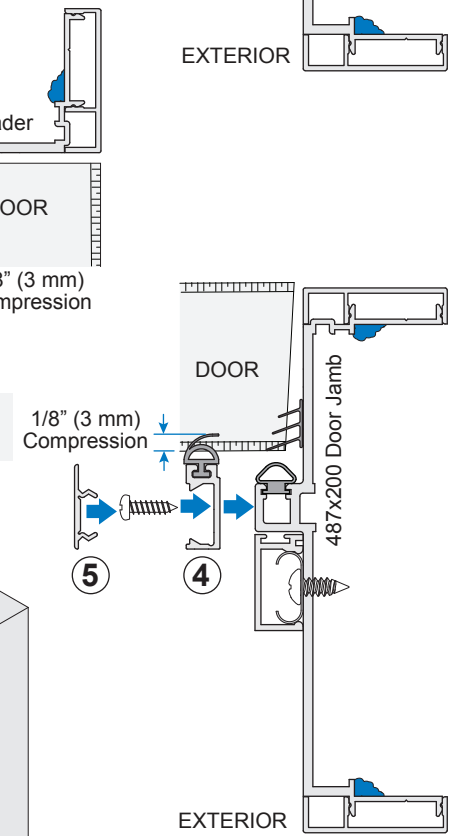
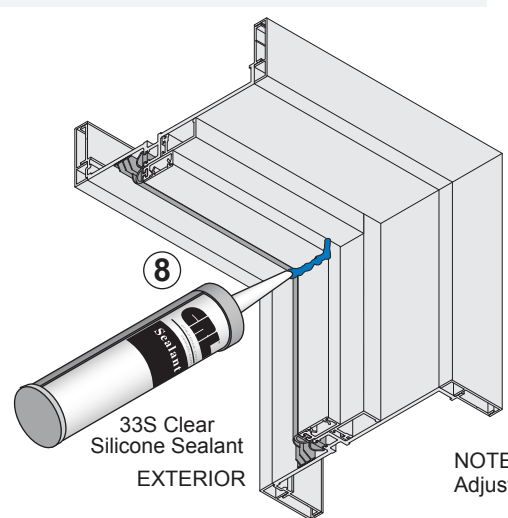
- 1 Install MC037 Clips at Door Header and Jamb with ST242 Screws.

NOTE: Position MC037 Clips so DS036 sits next to Door Stop. Attach with #10 x 1/2" PPH SMS spaced 6" from ends and 18" on center.

- 2 Snap DS036 onto clips at Header.
- 3 Snap DS036 onto clips at Jamb.
- 4 Install Adjustable Seal Body at Door Jamb.
- 5 Install Adjustable Seal Cover at Door Jamb.
- 6 Install Adjustable Door Seal Body at Door Header.
- 7 Install Adjustable Door Seal Cover at Door Header.
- 8 Seal and tool at corners with 33S Silicone Sealant.



NOTE: Position Adjustable Seal to compress 1/8" (3 mm). Fasten with #6 x 1/2" PPH SMS at slotted hole locations.



NOTE: Adjustable Seal Verticals run through. Adjustable Seal Horizontals butt against verticals.

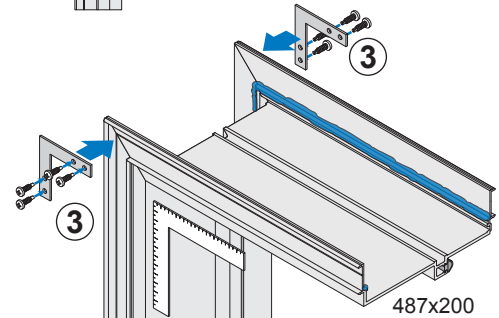
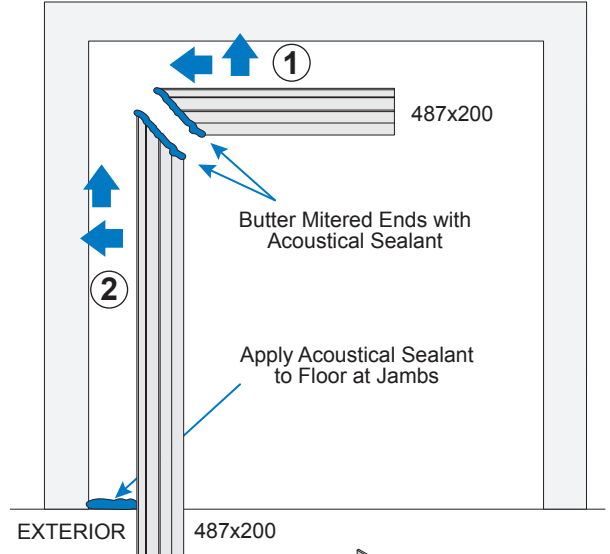
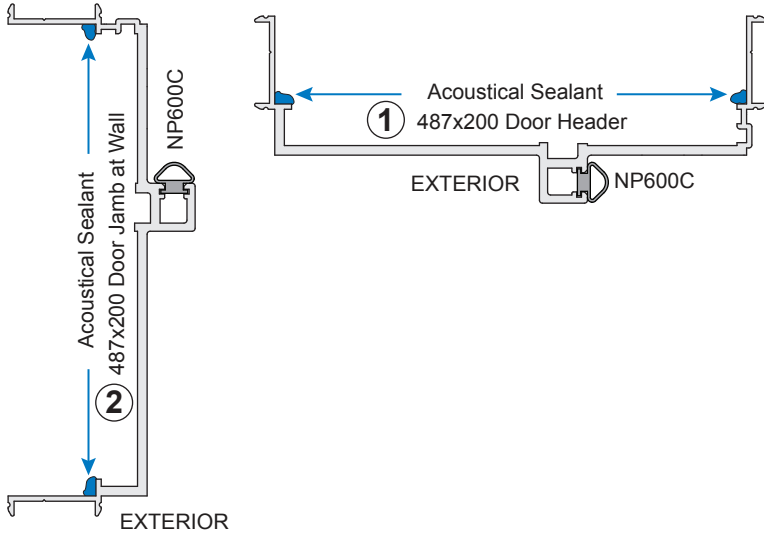
NOTE: 487x200 Door Frame Head and Jamb shown. 487x208 Door Frame Insert similar.

DOOR WITH SIDELITE FRAME INSTALLATION

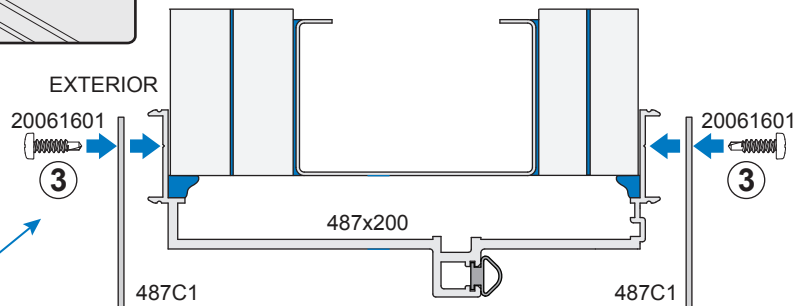
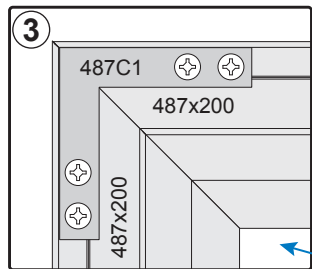
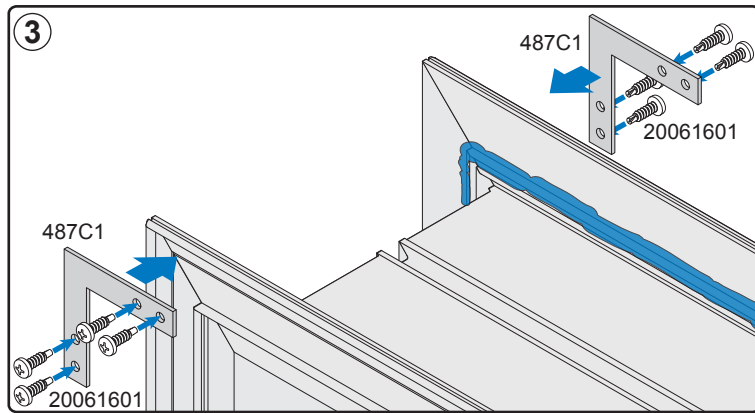
Install Door Header and Door Jamb

NOTE: Review Pages 6 and 7 to ensure the drywall is properly prepped before beginning.

- ① Seal inside Door Header and butter mitered end with Acoustical Sealant. Place mitered end at wall.
- ② Seal inside Door Jamb and butter mitered end with Acoustical Sealant. Install at wall with mitered end at top. NOTE: Apply Acoustical Sealant to floor.



- ③ Align mitered ends. Square and plumb. Secure at interior and exterior corner with 487C1 Corner Clips and 20061601 Screws.

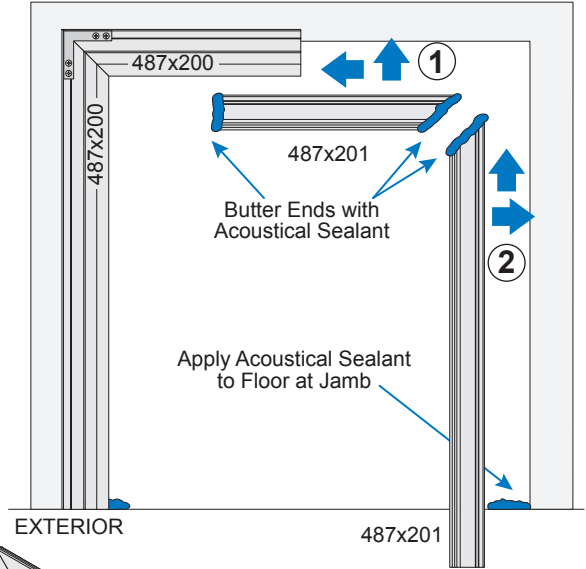
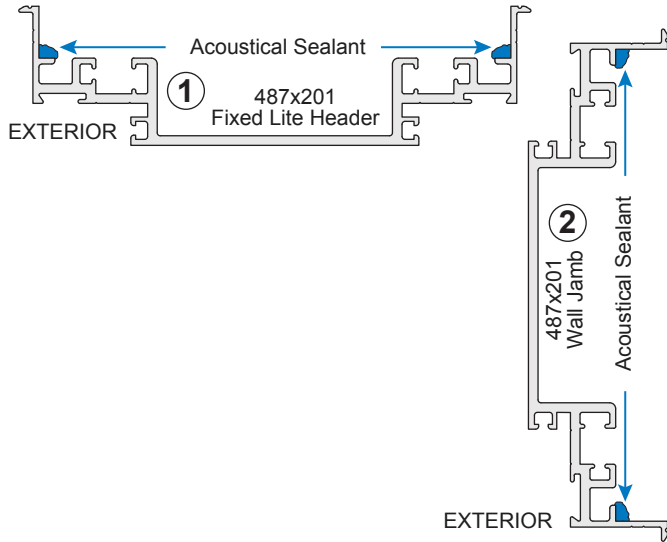


NOTE: Position 487C1 Corner Clips so screws secure frame to drywall.

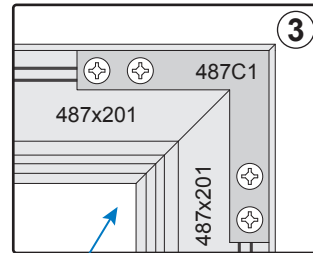
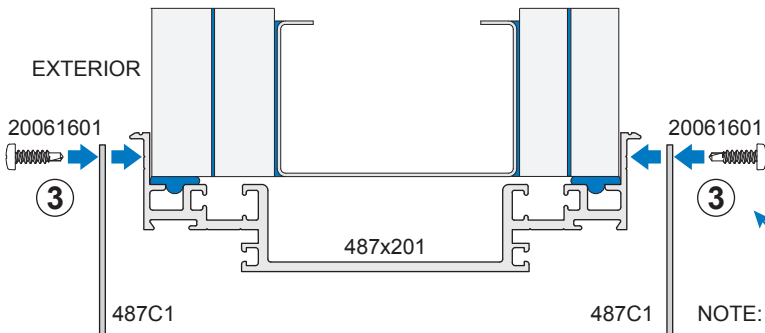
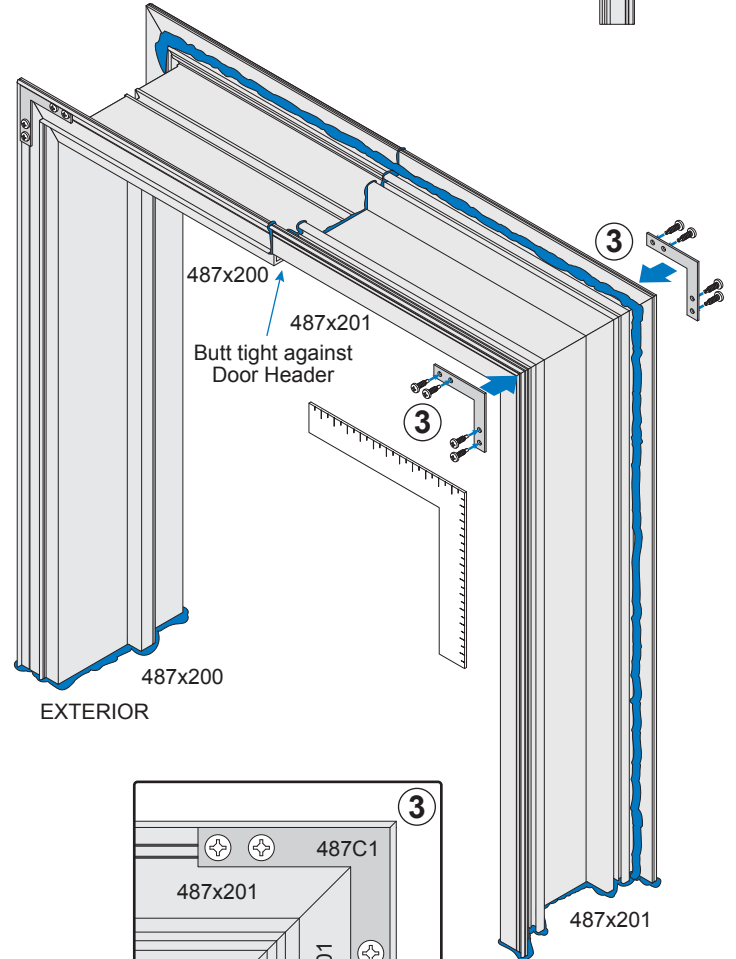
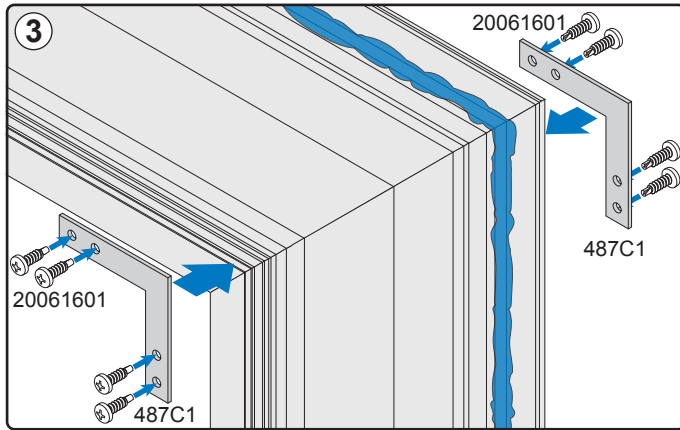
DOOR WITH SIDELITE FRAME INSTALLATION (CONTINUED)

Install Sidelite Header and Wall Jamb

- ① Seal inside Sidelite Header and butter ends with Acoustical Sealant. Place mitered end at wall. Level and push flush against Door Header.
- ② Seal inside Sidelite Jamb and butter mitered end with Acoustical Sealant. Install at wall with mitered end at top. NOTE: Apply Acoustical Sealant to floor.



- ③ Align mitered ends. Square, plumb and secure with 487C1 Corner Clips and 20061601 Screws at interior and exterior corners.

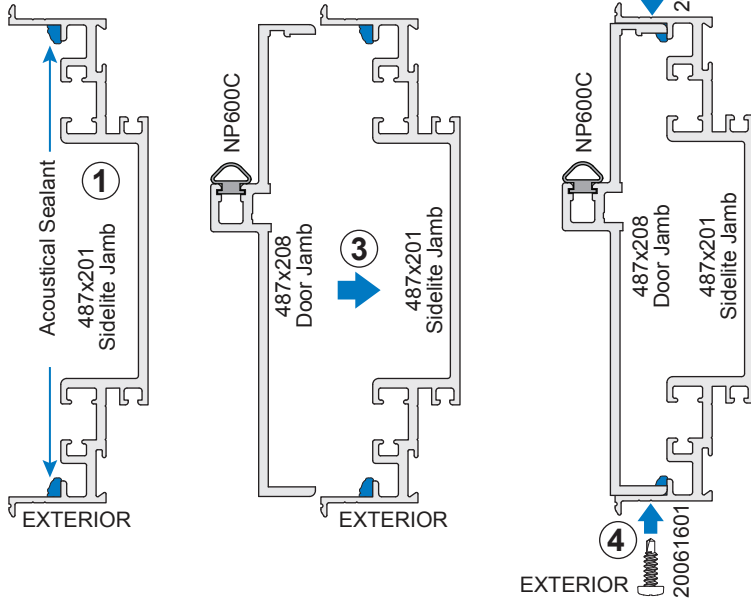


NOTE: Position 487C1 Corner Clips so screws secure frame to drywall.

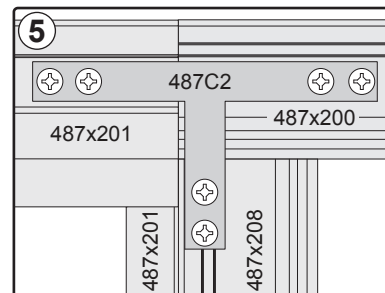
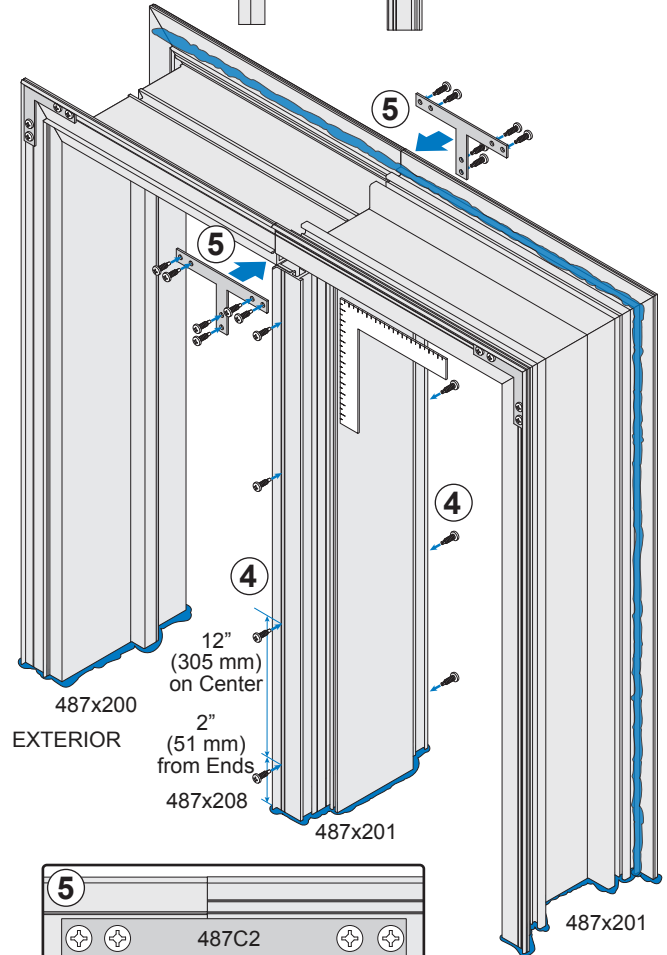
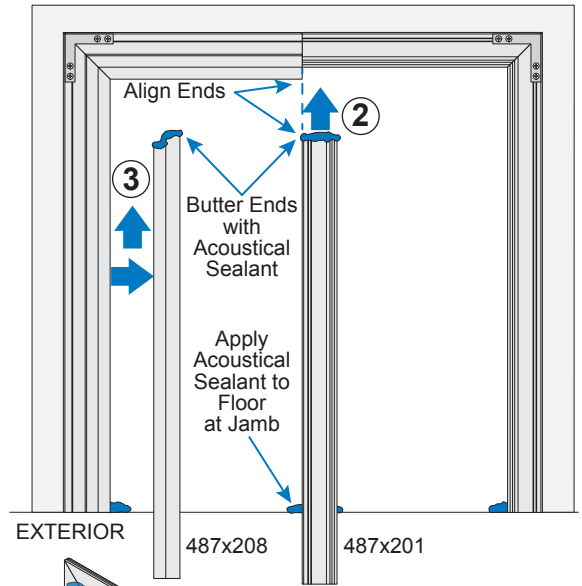
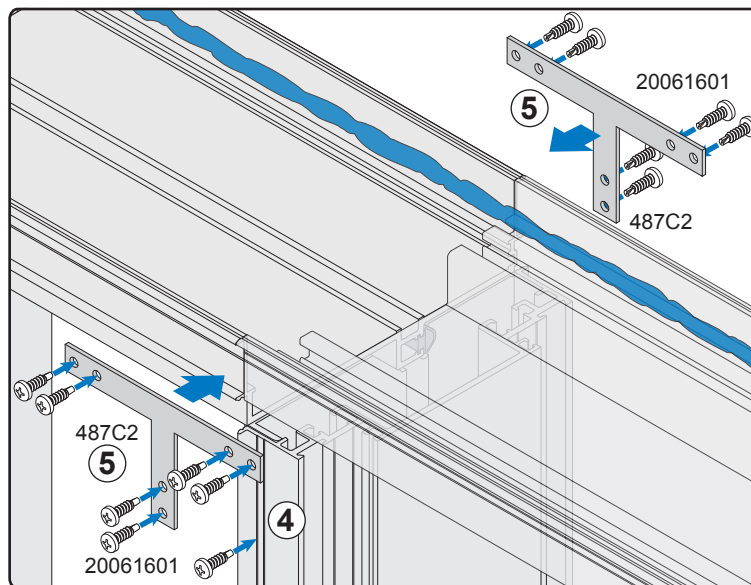
DOOR WITH SIDELITE FRAME INSTALLATION (CONTINUED)

Install Sidelite Jamb at Door and Door Jamb

- ① Seal inside Sidelite Jamb and butter top end with Acoustical Sealant.
- ② Butt top of Sidelite Jamb against bottom of Sidelite Header at door. Position back of Sidelite Jamb flush with end of Sidelite Header.
- ③ Fit Door Jamb into Sidelite Jamb with notched end at top.



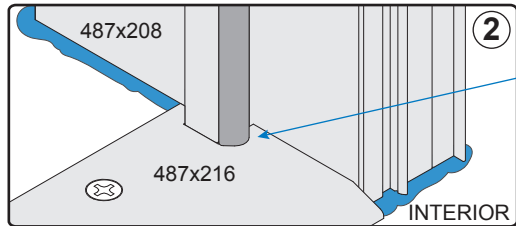
- ④ Square and secure Door Jamb to Sidelite Jamb with 20061601 Screws spaced 2" (51 mm) from ends and 12" (305 mm) on center at interior and exterior.
- ⑤ Secure to Header with 487C2 T-Clips and 20061601 Screws at interior and exterior.



DOOR WITH SIDELITE FRAME INSTALLATION (CONTINUED)

Install Threshold, Starter Sill and Sill

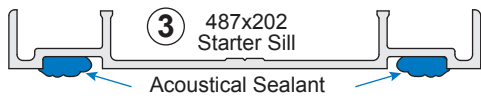
- ① Apply Acoustical Sealant.
- ② Center Threshold in opening and secure.



NOTE: Threshold notched for Door Stop.

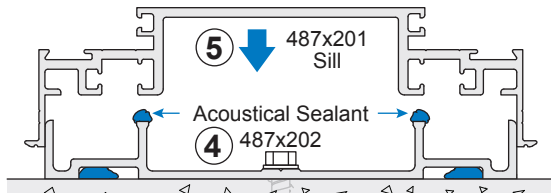
- ③ Apply Acoustical Sealant to bottom of 487x202 Starter Sill. Center in opening and secure.

NOTE: Starter Sill cut 1/8" (3 mm) shorter than the D.L.O.



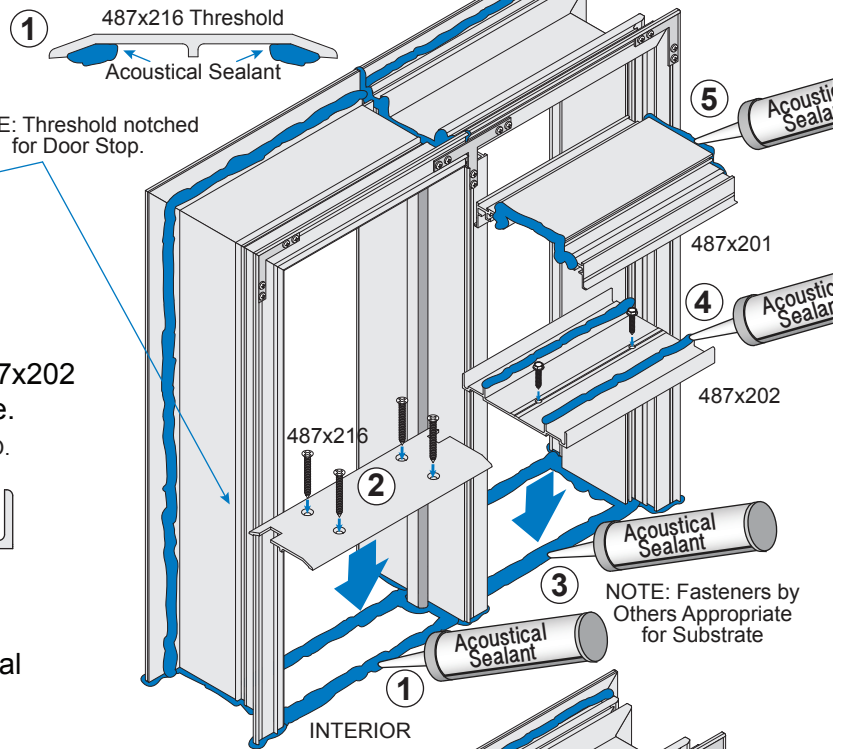
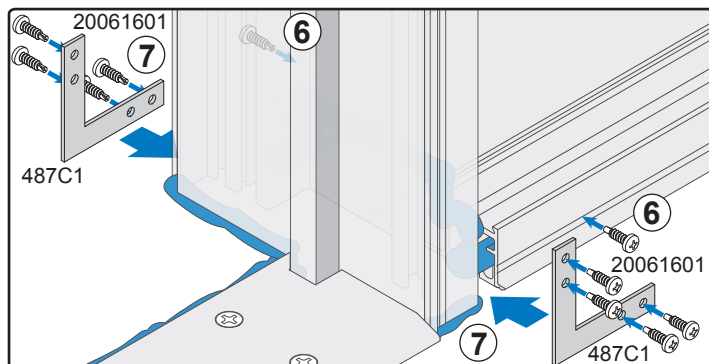
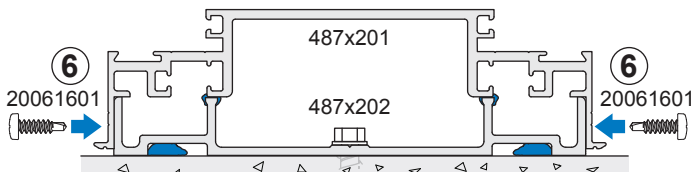
- ④ Apply Acoustical Sealant to Starter Sill.

- ⑤ Butter ends of 487x201 Sill with Acoustical Sealant and install.

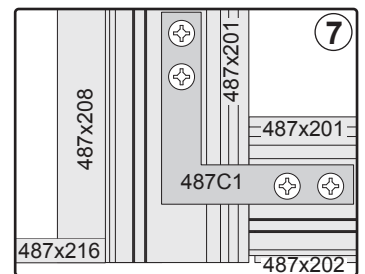
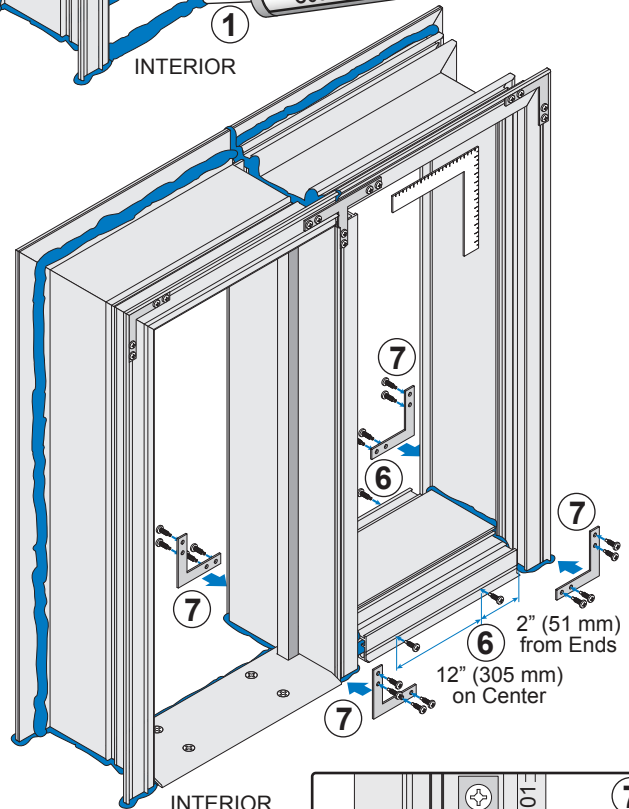


- ⑥ Level and secure Sill to Starter Sill at interior and exterior with 20061601 Screws spaced 2" (51 mm) from ends and 12" (305 mm) on center.

- ⑦ Square and secure at interior and exterior bottom Jamb with 487C1 Corner Clips and 20061601 Screws.



NOTE: Fasteners by Others Appropriate for Substrate



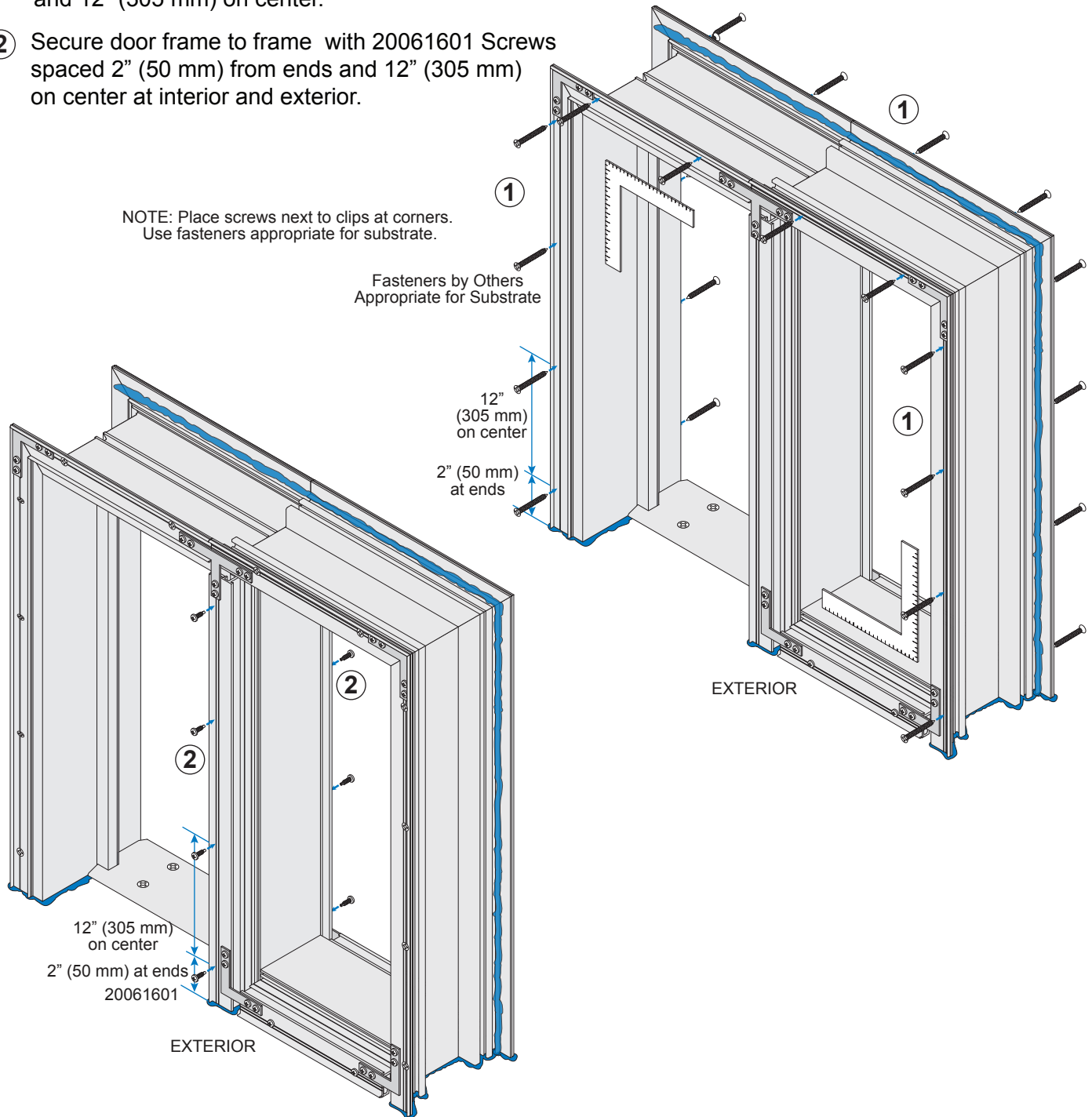
DOOR WITH SIDELITE FRAME INSTALLATION (CONTINUED)

Secure Frame to Wall

- ① Square frame and secure to wall at interior and exterior with screws spaced 2" (50 mm) at ends and 12" (305 mm) on center.
- ② Secure door frame to frame with 20061601 Screws spaced 2" (50 mm) from ends and 12" (305 mm) on center at interior and exterior.

NOTE: Place screws next to clips at corners.
Use fasteners appropriate for substrate.

Fasteners by Others
Appropriate for Substrate



Follow instructions on Page 13 to install Intermediate Mullions. If no Intermediate Mullions are required, seal and tool joints as shown on Page 14. Continue with glazing on Pages 14 - 16 and Trim Installation on Page 17. Follow steps on Page 19 to prepare and install door.

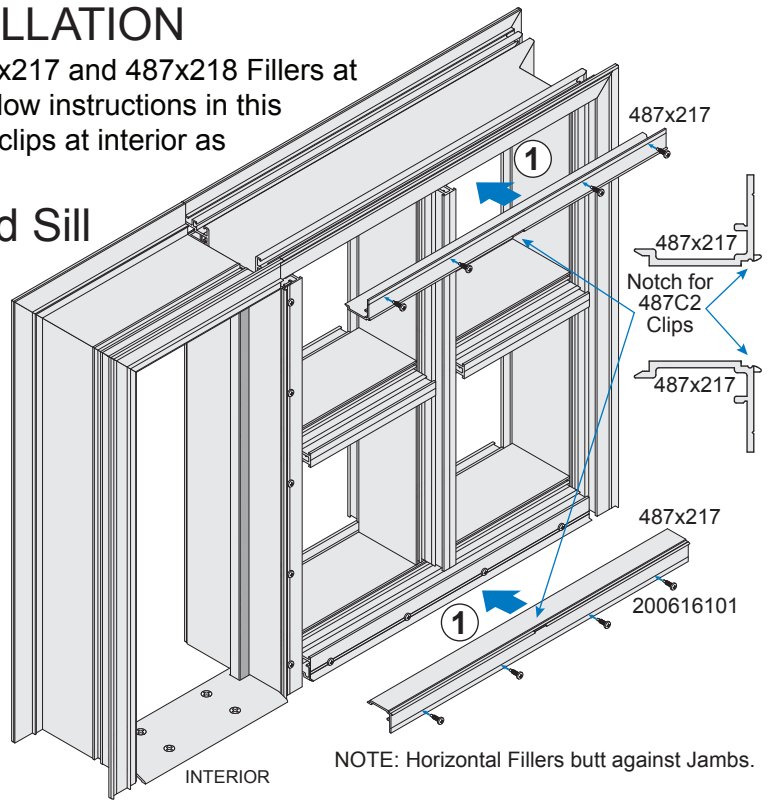
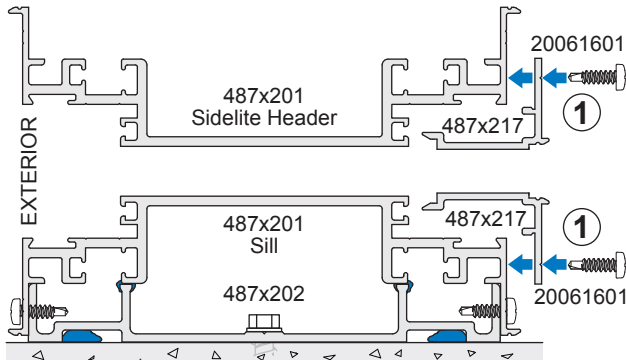
SINGLE PANE GLAZING INSTALLATION

For units that require single pane glazing, use 487x217 and 487x218 Fillers at interior horizontal and vertical glazing pockets. Follow instructions in this manual to install the frame. Then install fillers and clips at interior as shown. Continue with glazing the exterior panels.

Install Filler at Interior Header and Sill

- 1 Install 487x217 Filler at interior Header and Sill. Space 20061601 Screws 2" (51 mm) from ends and 12" (305 mm) on center.

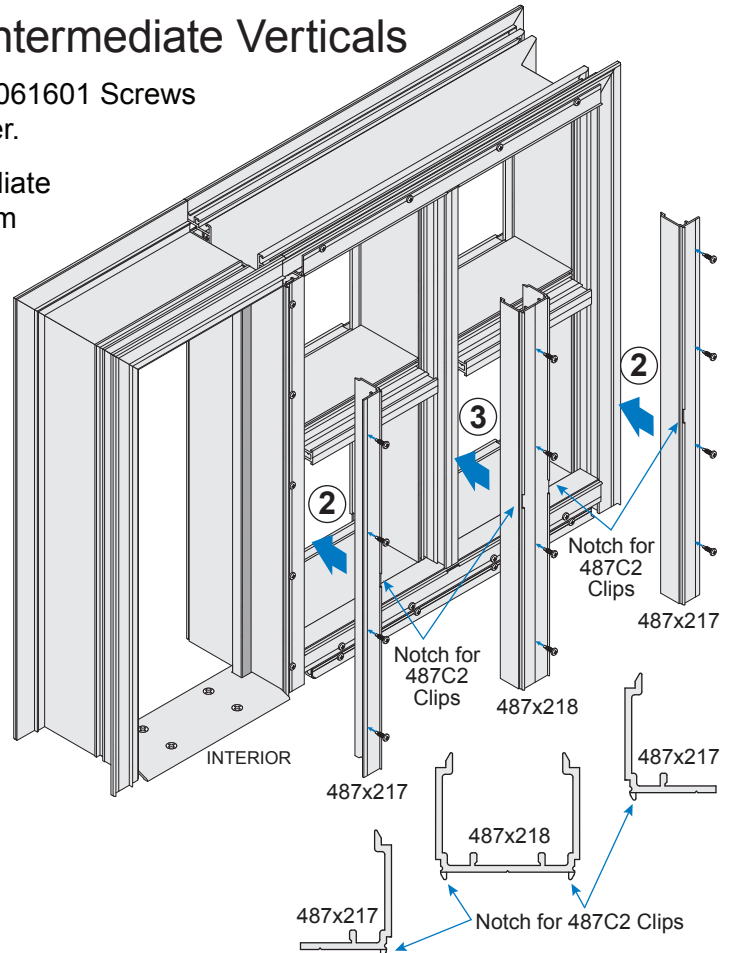
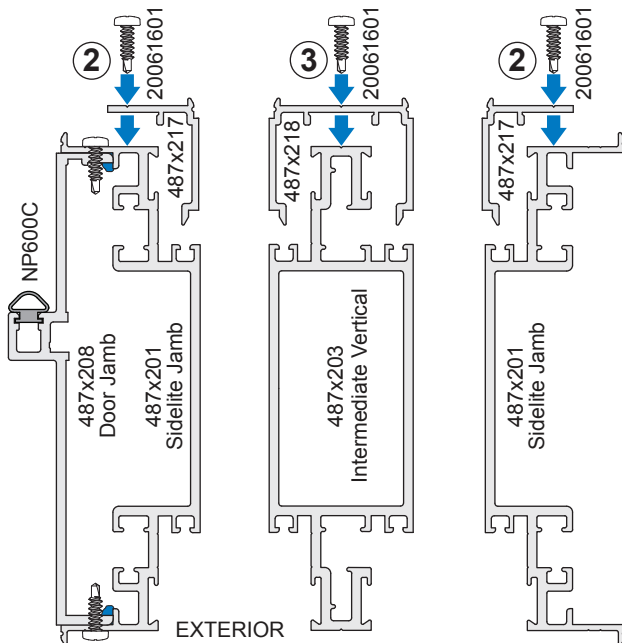
NOTE: Notch for Clips. Refer to Clip Placement Chart on Page 25. Adjust screw spacing to avoid Clips.



Install Filler at Interior Jambs and Intermediate Verticals

- 2 Install 487x217 Filler at interior Jambs. Space 20061601 Screws 2" (51 mm) from ends and 12" (305 mm) on center.
- 3 Install 487x218 Filler at interior 487x203 Intermediate Vertical. Space 20061601 Screws 2" (51 mm) from ends and 12" (305 mm) on center.

NOTE: Notch for Clips. Refer to Clip Placement Chart on Page 25. Adjust screw spacing to avoid Clips.

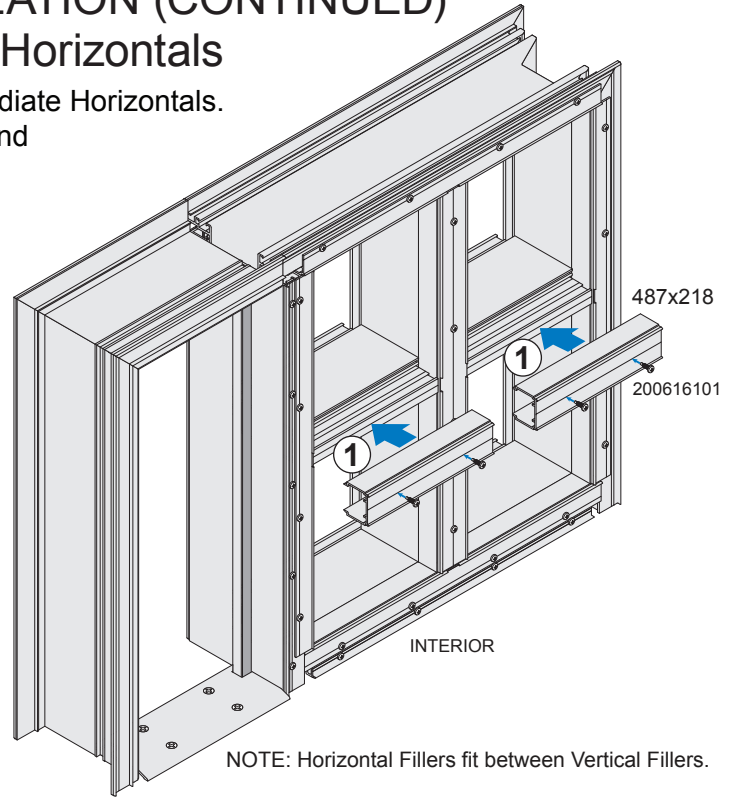
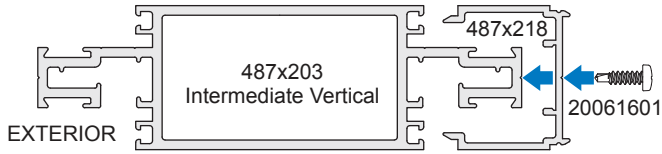


SINGLE PANE GLAZING INSTALLATION (CONTINUED)

Install Filler at Interior Intermediate Horizontals

- 1 Install 487x218 Fillers at interior 487x203 Intermediate Horizontals. Space 20061601 Screws 2" (51 mm) from ends and 12" (305 mm) on center.

NOTE: Adjust screw spacing to avoid Clips. See placement chart below.



Install Interior Clips

- 2 Install 487C1 and 487C2 Clips with 20061601 Screws at interior locations shown below.

Continue installation with exterior clips and then glaze interior panels according to instructions in this manual.

NOTE: Refer to Page 8 for exterior clip placement

Interior Clip Placement

Interior Clip Placement for Single Pane Glazing

