



Hydracoil Installation and Information



CBI HYDRACOIL INSTALLATION MANUAL AND INFORMATION

Caution:

READ THE INSTALLATION INSTRUCTIONS CAREFULLY PRIOR TO BEGINNING ACTUAL INSTALLATION.

AFTER READING THE INSTRUCTIONS, BEGIN TO INSTALL THE HYDRA COIL AS DESCRIBED. BE SURE TO FOLLOW THESE DIRECTIONS PRECISELY.

FAILURE TO DO SO COULD RESULT IN DAMAGE TO BOTH THE HYDRACOIL AND THE HYDRAFLEX SYSTEM. PROPER ADHERENCE TO THE PRINTED INSTRUCTIONS WILL ENSURE EFFICIENCY AND CONTINUOUS PERFORMANCE.

THANK YOU.

Overview:

The HYDRACOIL is a trusted system for storing lift truck hydraulic hoses. The product's unique design eliminates seals, which are prone to leak, and allows clear, unobstructed vision for the lift truck operator. Featuring continuous hosing from the control valve to the carriage, the HYDRACOIL requires very little maintenance. The unit is easily bolted to the overhead guard, making it less prone to damage and providing additional protection to the operator. HYDRACOIL will accommodate all makes of lift trucks with lift to 200 inches.

Required Materials:

The HYDRACOIL kit contains all required mounting hardware, and a sufficient amount of hydraulic hose to attach from the HYDRAFLEX, through the HYDRACOIL to terminate on the overhead guard upright. From that point, additional hydraulic hose will be required to connect hydraulic hoses to lift truck valve and hydraulic hoses to any attachments installed on the truck.

Service and Support:

We are here to help. For information about parts, service, or a warranty claim, call 1-800-547-3131 or reach us through e-mail at customerservice@cbimfg.com

Warranty:

CBI products are warranted for one year. Products are guaranteed to be free from defects in material and workmanship and that, if the equipment or any part thereof is returned to an authorized dealer, transportation charges prepaid, and, if examination discloses to its satisfaction that the said equipment, part or parts has been defective in workmanship or material, CBI will deliver to purchaser without charge, transportation prepaid, parts of first class workmanship and material in exchange for any parts so found to be defective and its obligation is limited to said exchange. CBI shall not be liable for any repairs or alterations except those made with its written consent and shall not be liable for damages from delay or loss of use or for other indirect or consequential damages, losses or expenses of any kind. It is specifically agreed that the liability of CBI under all guarantees, either express or implied, is strictly limited to those terms as hereinbefore provided.

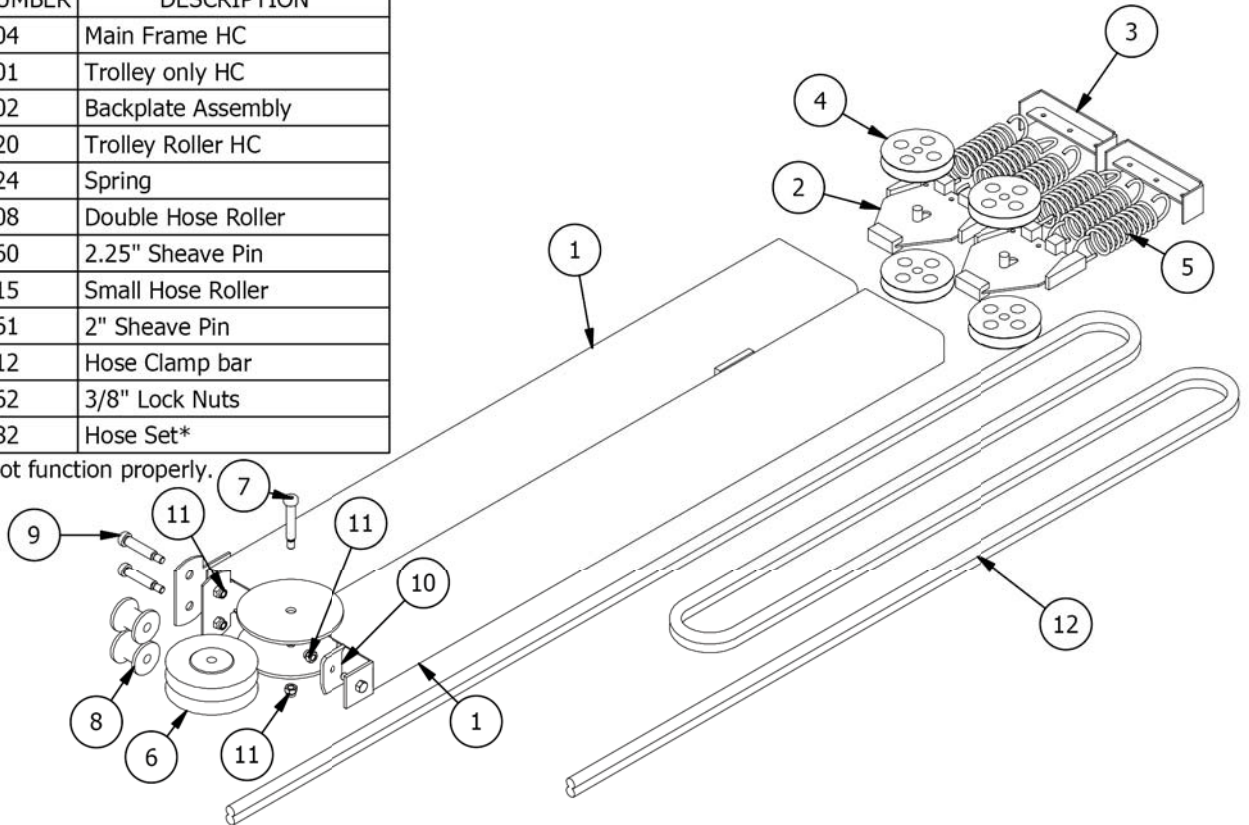


CBI HYDRACOIL AND HYDRAFLEX PARTS BREAKDOWN

Hydracoil Assembly P/N: 92000001

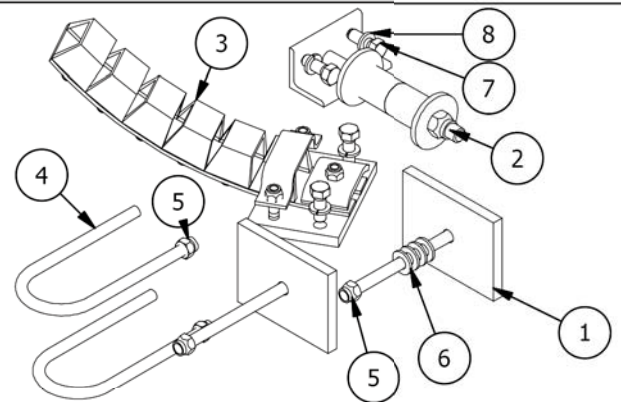
ITEM	ITEM QTY	PART NUMBER	DESCRIPTION
1	1	82000004	Main Frame HC
2	2	82000001	Trolley only HC
3	2	82000002	Backplate Assembly
4	4	72008020	Trolley Roller HC
5	6	72008024	Spring
6	1	72008008	Double Hose Roller
7	1	72008060	2.25" Sheave Pin
8	2	72008015	Small Hose Roller
9	2	72008061	2" Sheave Pin
10	1	72008012	Hose Clamp bar
11	4	72008062	3/8" Lock Nuts
12	1	72008082	Hose Set*

* Non-CBI hose sets will not function properly.



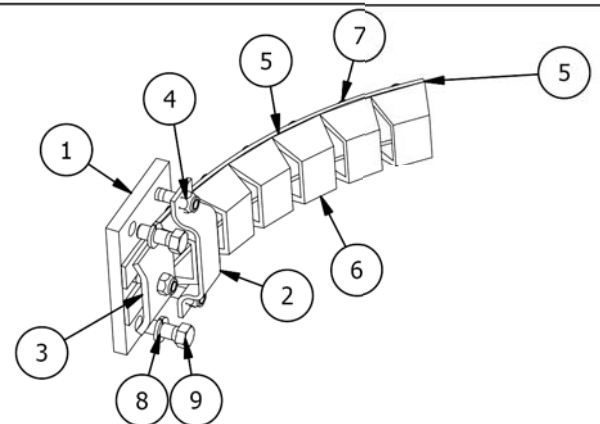
Hydracoil Mounting Kit P/N: 92000021

ITEM	ITEM QTY	PART NUMBER	DESCRIPTION
1	2	82000202	Clamping Bolt
2	1	82000204	Mast Roller Kit HC
3	1	82000205	Hydrflex Kit
4	2	72000205	U-Bolt
5	4	72008062	3/8" Lock Nuts
6	4	72008065	Washer - Special
7	4	72008063	3/8" Hex Bolts
8	4	72008064	Lock Washers



Hydrflex Kit P/N: 82000205

ITEM	ITEM QTY	PART NUMBER	DESCRIPTION
1	1	82000201	Mounting Plate EC
2	1	72000207	Link Clamp Bar
3	1	72008012	Hose Clamp bar
4	3	72008066	5/16" Lock Nut
5	1	72000201	Belting only *
6	6	72000202	Plastic Link *
7	12	72008067	Hydrflex Screw *
9	2	72008063	3/8" Hex Bolts
8	2	72008064	Lock Washers



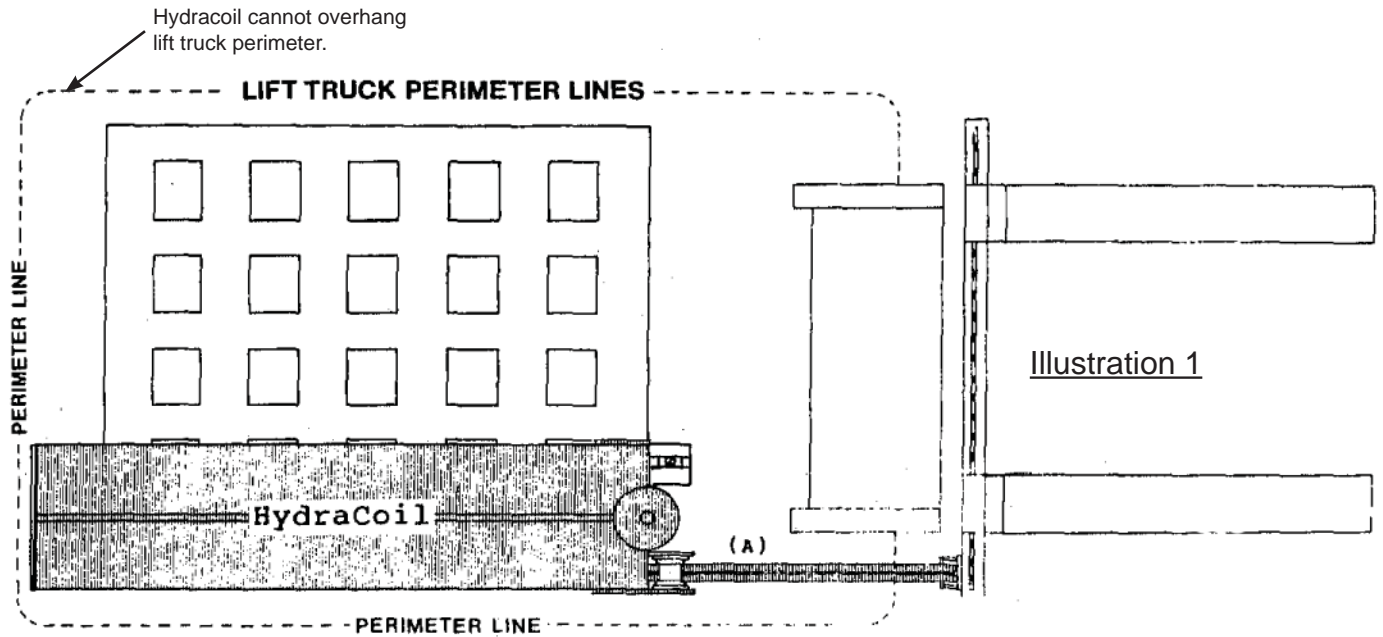
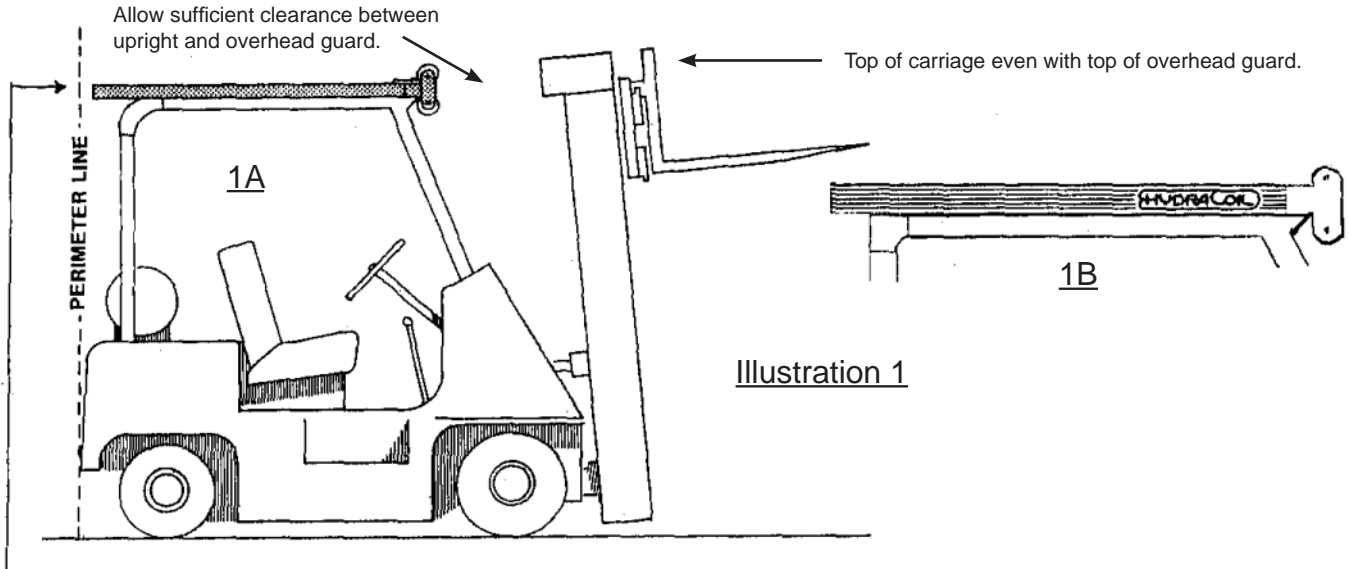
* Items 5, 6, and 7 can come pre-assembled as a "Hydrflex only" P/N: 82000206



CBI HYDRACOIL INSTALLATION

PAGE 1

1. Tilt upright to full back tilt (Illustration 1).
 2. Raise carriage until top of carriage is even with overhead guard (Illustration 1A).
 3. Position the HydraCoil on overhead guard so that the HydraCoil is as shown in Illustration 1B
 4. Position HydraCoil parallel to overhead guard (Illustration 2).
- NOTE: THE HYDRACOIL MUST HAVE CLEARANCE BETWEEN UPRIGHT OVERHEAD GUARD (Illustration 1c). IT CANNOT OVERHANG LIFT TRUCK PERIMETERS (Illustrations 1D and 2).



Top view of lift truck showing lift truck perimeter lines, overhead guard, Hydracoil, upright, carriage and forks.

5. Make sure that hydraulic hoses (A) from the Hydracoil are in direct alignment to the HydraFlex on carriage (Illustration 2).



CBI HYDRACOIL INSTALLATION

PAGE 2

6. Install fastening hardware. Tighten until snug yet loose enough to allow re-positioning as needed (Illustration 3).

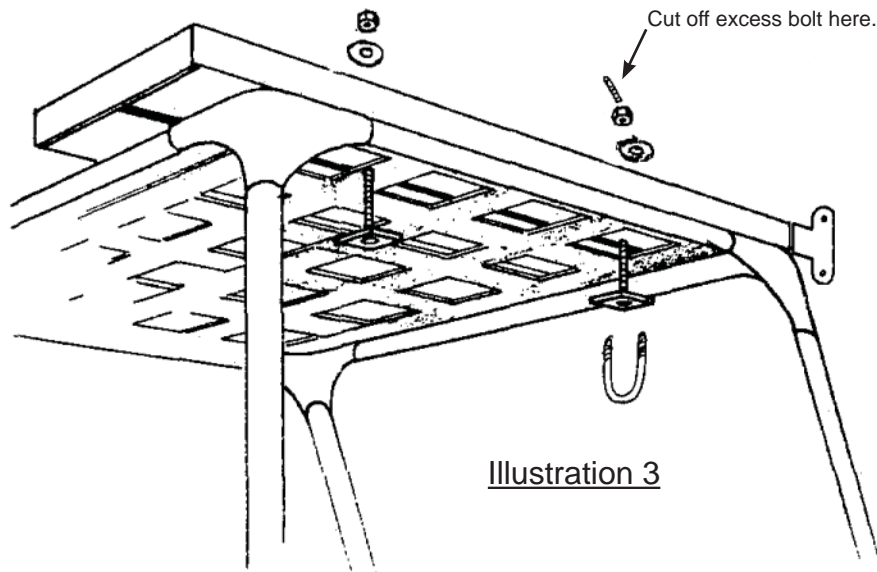
7. Use self locking nuts supplied with kit.

NOTE: SELF LOCKING NUT AND ROUND WASHER MUST BE ON TOP SIDE OF THE HYDRACOIL (Illustration 3).

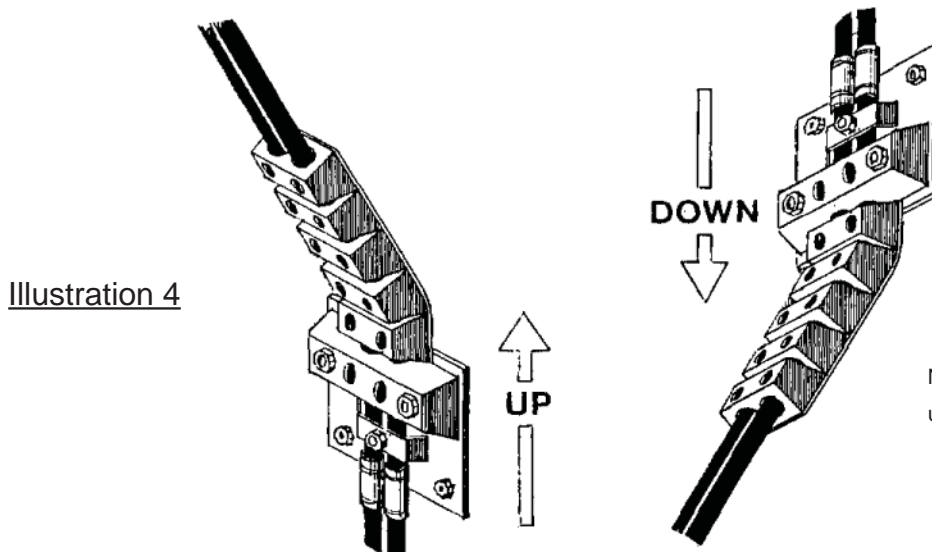
8. Make a final check for proper alignment. Be sure the Hydracoil is within all lift truck perimeters (Illustration. 2).

9. Now tighten mounting hardware securely. For safety, saw off excess bolt once tightening has been completed (Illustration 3).

Caution: Locking nuts and washers must be on top side of Hydracoil



NOTE: The HydraFlex is designed to mount in either the up position or the down position, depending on your particular application. In most cases the up position will be used (Illustration 4).



Note: In most cases the up position will be used.



CBI HYDRACOIL INSTALLATION

PAGE 3

10. Lower carriage to mount the HydraFlex.
11. Position the HydraFlex (Illustration 6).
12. Weld or bolt on the HydraFlex to upper carriage bar (Illustration 5).

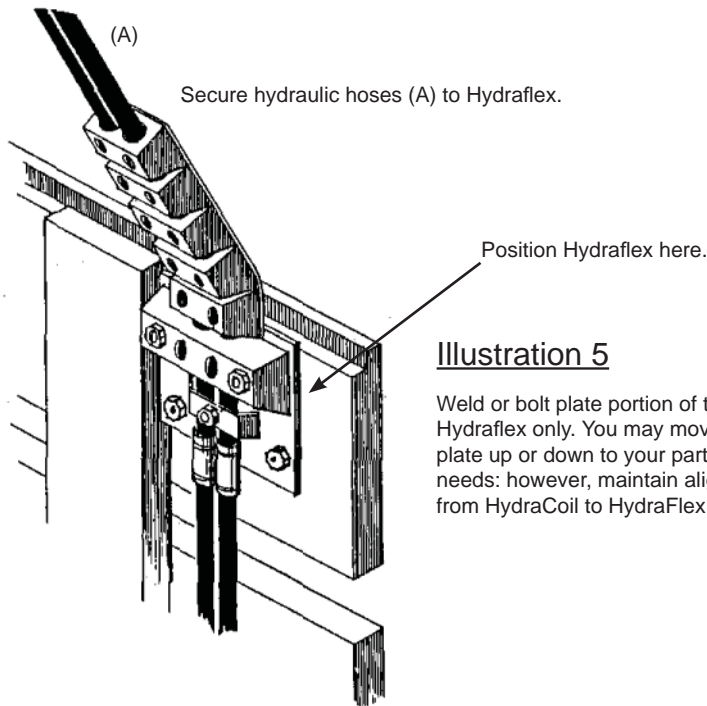
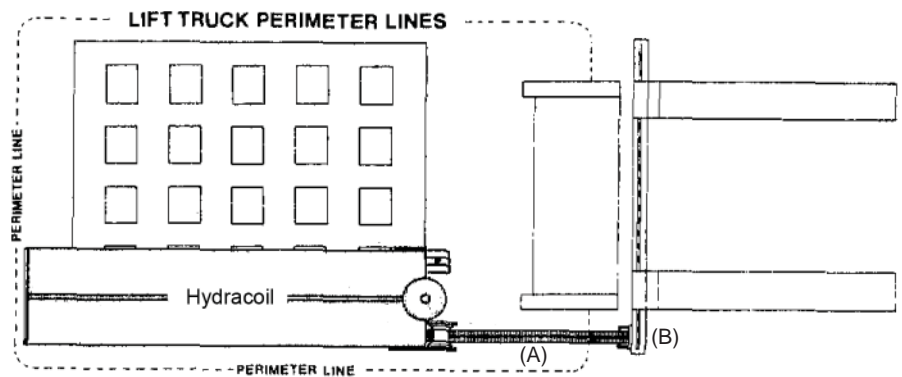


Illustration 5

Weld or bolt plate portion of the Hydraflex only. You may move the plate up or down to your particular needs; however, maintain alignment from HydraCoil to HydraFlex.

Illustration 6

Keep alignment between HydraCoil (A) and HydraFlex (B).



13. Attach both hydraulic hoses (A) to the HydraFlex and secure (Illustration 5).
14. Now clamp hydraulic hose just tight enough so the lines do not slip into the HydraCoil.



CBI HYDRACOIL INSTALLATION

PAGE 4

15. Slowly raise the carriage to full height and tilt forward (Illustration 7), making sure there is enough hydraulic hose in the HydraCoil so the trolleys do not come up against their stops. If the hydraulic lines come up tight before full lifting height is reached, let hydraulic hose at clamp (A) into the HydraCoil.

16. With full lifting height and full tilt forward, hold onto both (B) hydraulic hoses and loosen hose clamp (A) (Illustration 8). Now pull both hydraulic hoses (B) from the HydraCoil until spring loaded sheaves come up against their stops. You will feel this. NOW ALLOW 5 TO 6 INCHES OF HOSE TO GO BACK INTO THE HYDRACOIL. NOTE: HYDRAULIC HOSES, WHEN CHARGED, WILL CONTRACT, CAUSING THE HOSES TO SHRINK IN LENGTH. THE 5 TO 6 INCHES OF HOSE IN THE HYDRACOIL WILL COMPENSATE FOR THIS. Now tighten hose clamp (A).

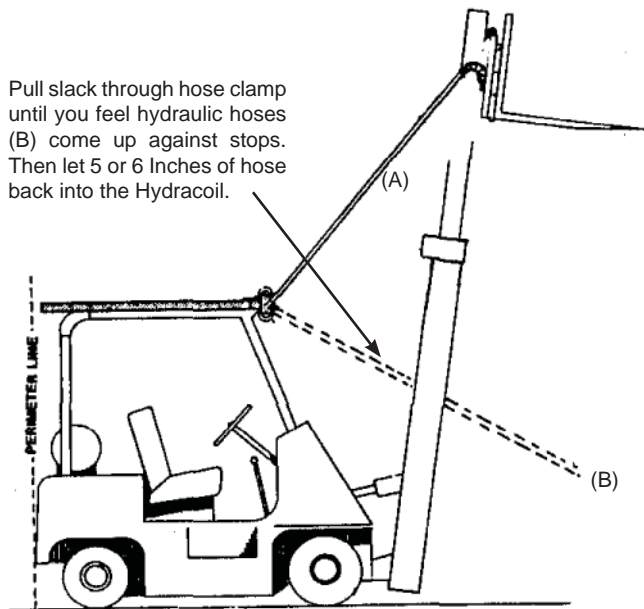


Illustration 7

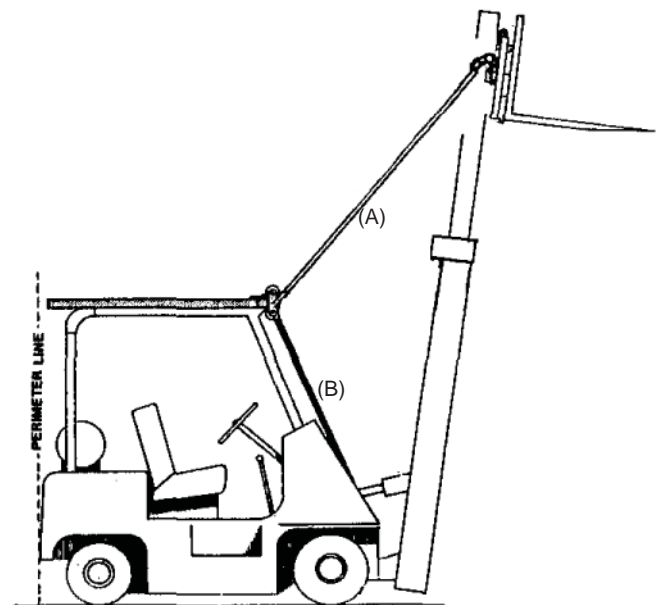


Illustration 9

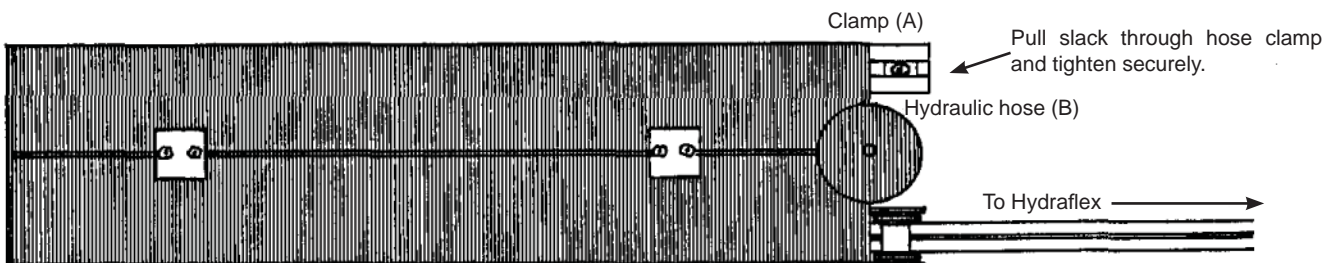


Illustration 8

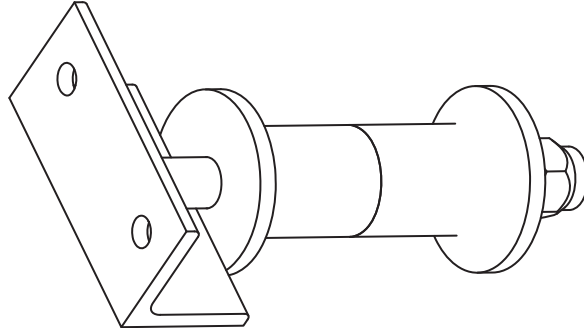
17. Now route hydraulic hoses (B) down to the control valve, adding enough jumper hose to complete this. (Illustration 9).



CBI HYDRACOIL INSTALLATION

PAGE 5

NOTE: In situations where tilt cylinder knuckles or lift truck fenders inhibit the free movement of the hydraulic hoses, a roller will be needed. This roller is included in the kit.



18. Position roller above obstruction in such a way as to maintain as straight of a line of travel to the hydraflex as possible (Illustration 10).

19. Weld or drill and tap roller to upright (Illustration 11).

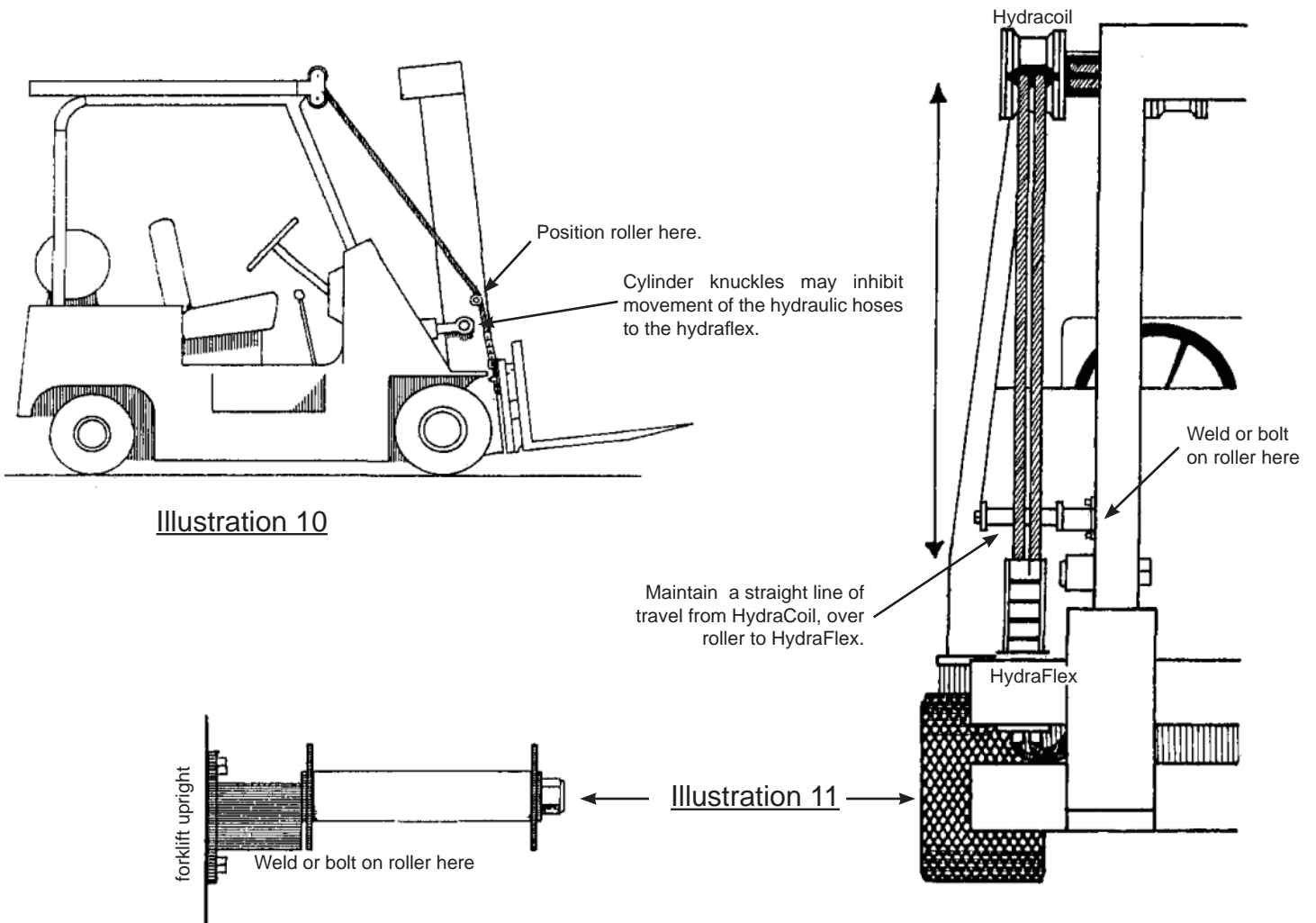


Illustration 10

Illustration 11



CBI HYDRACOIL INSTALLATION

PAGE 6

20. Cautiously raise the carriage to full height, making sure everything is working properly.
21. Slowly tilt upright forward, again making sure everything is working properly.
22. Now tilt upright slowly back and be sure that the hoses are retracting properly.
23. Slowly lower carriage to ground, making sure hoses are retracting properly and clearing all obstacles.
24. Adjust hose memory to make sure hose retraction will operate properly. Check hoses for twisting from side to side.

Now the HydraCoil is ready to go to work for you. Should any problems be incurred either on installation or operations, please contact the manufacturer:

CBI FORKLIFT ATTACHMENTS
283 INDUSTRIAL WAY
LEBANON OR 97355

Call Toll Free 1-800-547-3131
Fax Toll Free 1-888-969-2467
Phone 541-258-5395
Fax 541-258-5398

Email Us at Customerservice@cbimfg.com