

# **Hustler® Raptor® SD CE Parts Manual**

## Contents

General Information .....	1
<b>Frame, Fenders, Instrument Panel &amp; Engine Guard Section</b>	
Frame .....	3-1
Fenders & Instrument Panel .....	3-2
Guards .....	3-3
<b>Transmission &amp; Steering Section</b>	
Hydraulic System .....	4-1
Transmission Assembly (Multi-Page) .....	4-2
Transmission Service Parts - Right Side .....	4-3
Transmission Service Parts - Left Side .....	4-4
Steering & Brake .....	4-5
Steering Cover Assembly .....	4-6
<b>Wheels &amp; Tires Section</b>	
Wheel & Tire .....	5-1
Front Tire Breakdown .....	5-2
Drive Wheel Breakdown .....	5-3
<b>Engine &amp; Fuel Tank Section</b>	
Engine - S/N 15023236 & Higher (Multi-Page) .....	6-1
Engine - S/N Prior to 15023236 (Multi-Page) .....	6-2
Engine Service Parts .....	6-3
Fuel System .....	6-4
<b>Electrical Section</b>	
Battery .....	7-1
<b>Deck Section</b>	
Service Deck .....	8-1
Deck Pulleys & Spindles - S/N 15032154 & Higher .....	8-2
Deck Pulleys & Spindles - S/N Prior to 15032154 .....	8-3
Deck .....	8-4
Deck Lift (Multi-Page) .....	8-5
<b>Seat Section</b>	
Seat .....	9-1
Seat Service Parts .....	9-2
Appendix B:Parts Index .....	B
Appendix A:Pages Index .....	A

---

# General Information

This manual covers Hustler® Raptor® SD model **932566CE**.

---

## **Service Literature**

PART NO.	DESCRIPTION
604856CE	OPERATOR'S MANUAL
118959	WARRANTY STATEMENT
118650	SERVICE MANUAL

---

## **Options Available From Your Dealer**

PART NO.	DESCRIPTION
119101	48" MULCH KIT
120608	LIGHT KIT
333724	STEERING LEVER EXTENSION
933028	2-BAG CATCHER KIT
119597	ENGINE GUARD KIT
600213	FLEX FORKS KIT

*Note: When ordering parts, you must use the part number as shown for each part, not the index number. Always give the model and serial number to your parts and service representative.*

*Note: Items sold in bulk such as seals and hoses are sold by the foot.*

---

## **Using This Manual**

*This manual is part of a service package for the Hustler® mowers. Use of this manual in conjunction with other Hustler® mower and component manuals will provide the information necessary to service and maintain Hustler® mowers.*

*This Parts Manual provides a complete parts listing for the unit. Use this manual when ordering parts. Illustrations used were current at the time of printing, but subsequent production changes may cause your machine to vary slightly in detail. Excel Industries, Inc. reserves the right to redesign and change the machine as deemed necessary, without notification. If a change has been made to your machine which is not reflected in this parts manual, see your authorized dealer for current information and parts.*

*The Service Manual is a service guide for use by Service Technicians. It provides the necessary information needed to perform normal maintenance requirements on these units.*

*The Operator's Manual provides fundamental operational information and operational safety that is needed when operating the mower.*

*The component manuals are furnished by the various manufacturers to be used for the troubleshooting and servicing of their products.*

---

## **Hardware Description Codes & Abbreviations**

The following codes are used throughout this parts manual. Refer to this list when ordering parts.

<b>ABBREVIATION</b>	<b>DESCRIPTION</b>	<b>ABBREVIATION</b>	<b>DESCRIPTION</b>
CB	CARRIAGE BOLT	MB	MACHINE BUSHING
CE	CLEVIS PIN	MS	MACHINE SCREW
CN	CLIP NUT	NT	NUT
CP	COTTER PIN	SC	SELF TAPPING CAP SCREW
CS	CAP SCREW	SH	SOCKET HEAD
CW	CUP WASHER	SB	SHOULDER BOLT
FDRW	FENDER WASHER	SS	SET SCREW
FW	FLAT WASHER	OD	OUTSIDE DIAMETER
HX	HEX HEAD	ID	INSIDE DIAMETER
LW	LOCK WASHER		

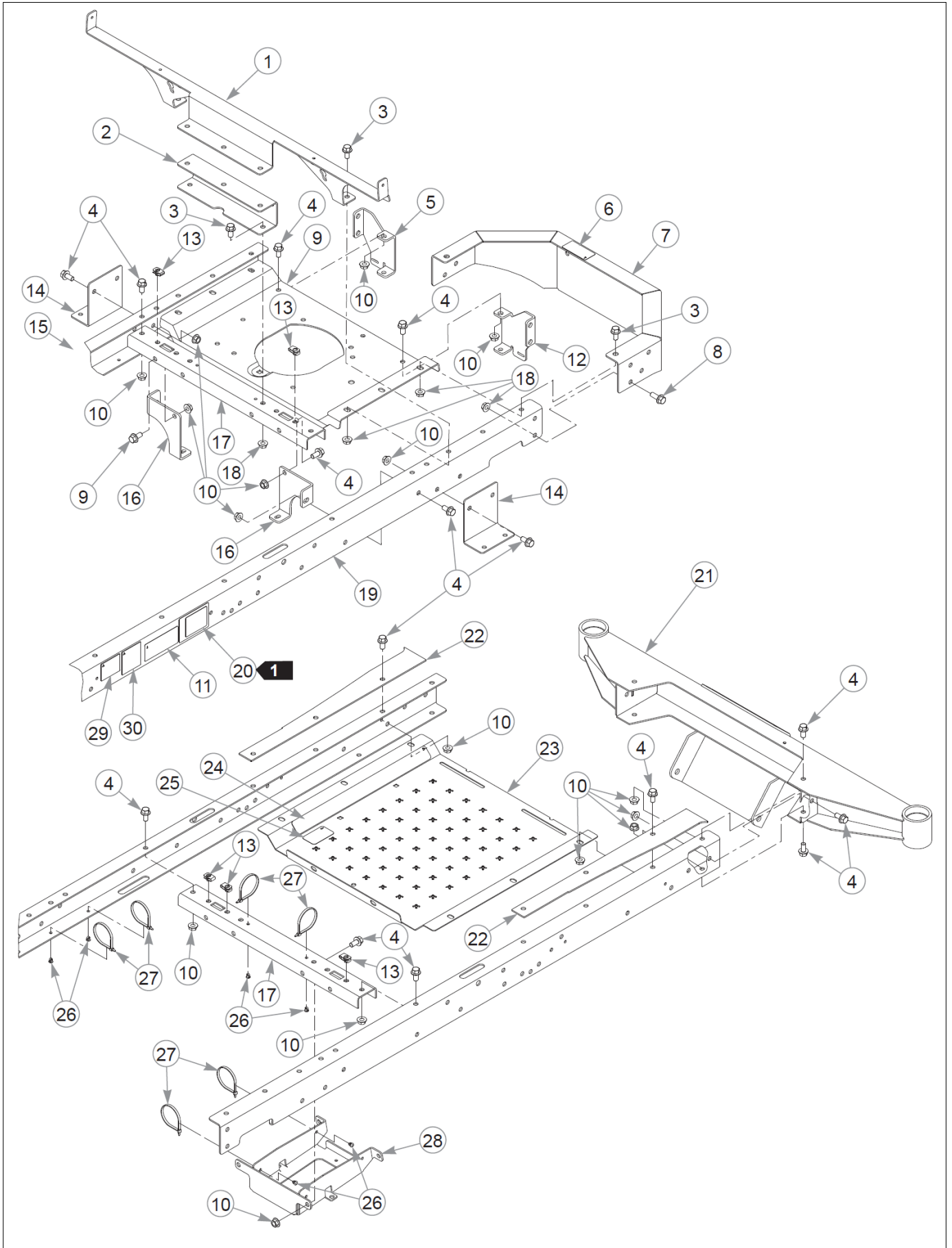
## **Standard Torques**

The following chart lists the standard torque values for the threaded fasteners found in this manual. Torque all cap screws, nuts and set screws to these values unless a different torque is shown in the Notes section next to the fastener.

<b>SIZE</b>	<b>FT-LBS</b>	<b>N-M</b>	<b>SIZE</b>	<b>FT-LBS</b>	<b>N-M</b>
.250	8.2	11.1	M3	1	1.3
.312	17	23	M4	2.2	3
.375	30	40	M5	4.5	6.1
.438	48	65	M6	7.7	10.4
.500	73	99	M8	18.5	25
.562	105	143	M10	37	50
.625	145	200	M12	64	87
.750	260	350	M14	80	108.5
.875	420	565	M16	160	215
1.00	625	850	M20	320	435
			M24	555	750

---

Frame, Fenders, Instrument Panel & Engine Guard Section



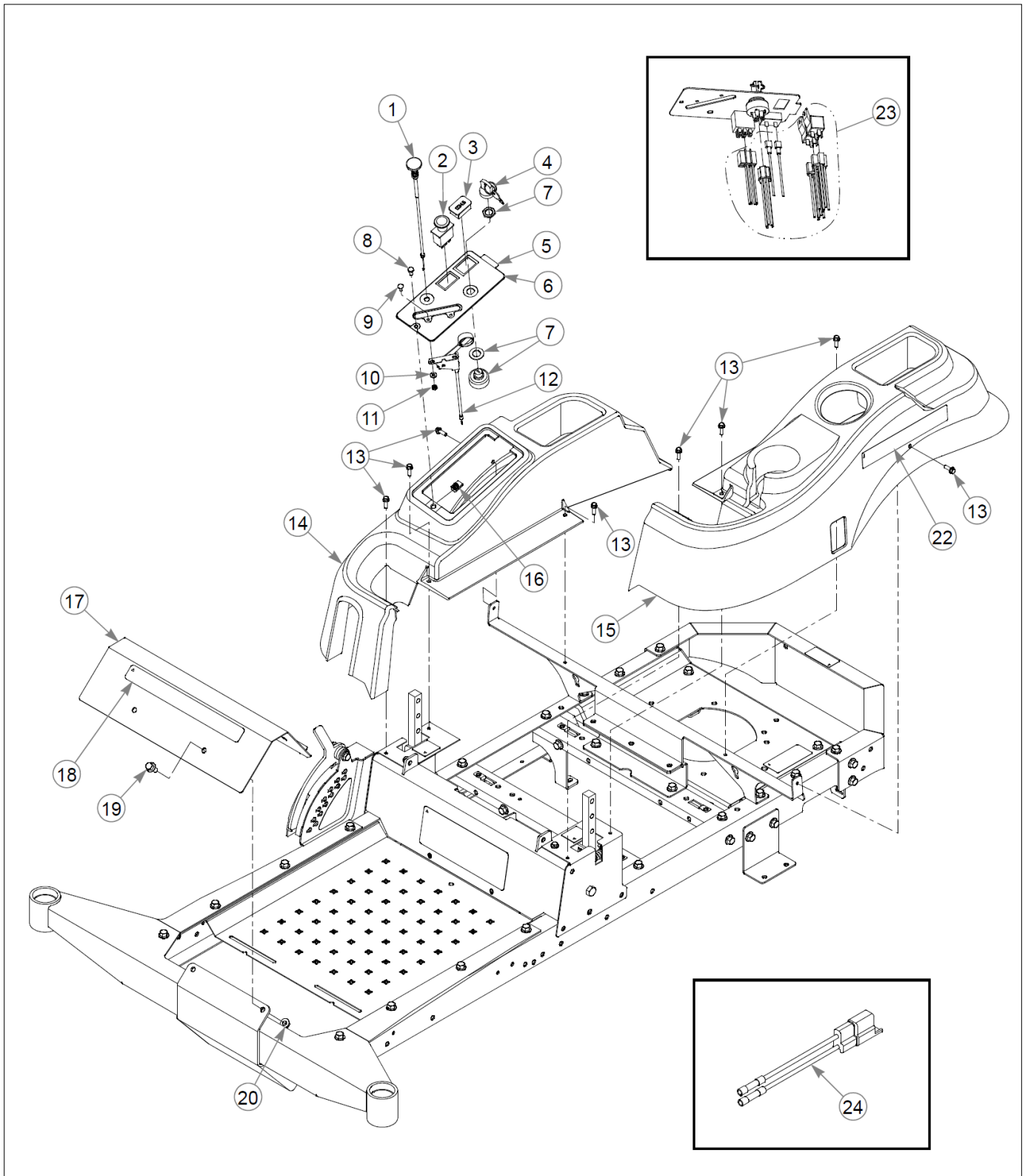
Item	Part No.	Name	Qty	Uom
1	118539	SEAT SUPPORT, RSD	1	EA
2	118538	SPRING SUPPORT, RSD	1	EA
3	029629	CS .375-16X0.750FLK	6	EA
4	604176	CS .375-16x.75 HXFLK PLN	30	EA
5	552564	BRACKET, RS REAR	1	EA
6	602041	DECAL, HOT	1	EA
7	552217	SERVICE, BUMPER	1	EA
8	029751	CS .375-16X1.000 HXFLK	4	EA
9	551858	SVC, ENGINE PLATE	1	EA
10	604177	NT .375-16 HXFLK PLN	30	EA
11	601967	DECAL, ENGINE COMPART	1	EA
12	552565	BRACKET, LS REAR	1	EA
13	601982	CN .250-20X .150 MAX THK	5	EA
14	552566	HYDRO BRACKET	2	EA
15	552407	SVC, RS FRM CHNL	1	EA
16	552567	RS FRONT BRACKET	2	EA
17	551861	SVC, CROSS SUPPORT	2	EA
18	016899	NT .375-16 FLKG5	10	EA
19	551868	SVC, LS FRAME CHANNEL	1	EA
20	N/A	SERIAL NUMBER / SPEC DECAL	1	EA
21	552568	FRONT CROSS FRAME W/A	1	EA
22	552569	FAIRING	2	EA
23	551865	SVC, FOOT PAN	1	EA
24	601981	DECAL, SAFE OPERATE-GRAY	1	EA
25	605782	DECAL, LEVEL FUEL BLOWM	1	EA
26	604307	MOUNT, PUSH BUTTON	6	EA
27	000331	WIRE TIE, SMALL/SHORT	6	EA
28	552570	BATTERY TRAY	1	EA
29	776310	DECAL, CE MARK	1	EA
30	789776CE	DBA LIMIT DECAL	1	EA

## Comments for Page: Frame

jmumford@excelii.com on May 1, 2015

1. Serial number decal. In the event the serial number decal becomes damaged or illegible, please contact your dealer to order a replacement.
2. Torque all the hardware to a minimum of 45 N•m.
3. Bumper (552217), engine plate (551858), LS frame channel (551868) and foot pan (551865) include decals.
4. The fuel fill level decal (605782) was located on the seat pan.

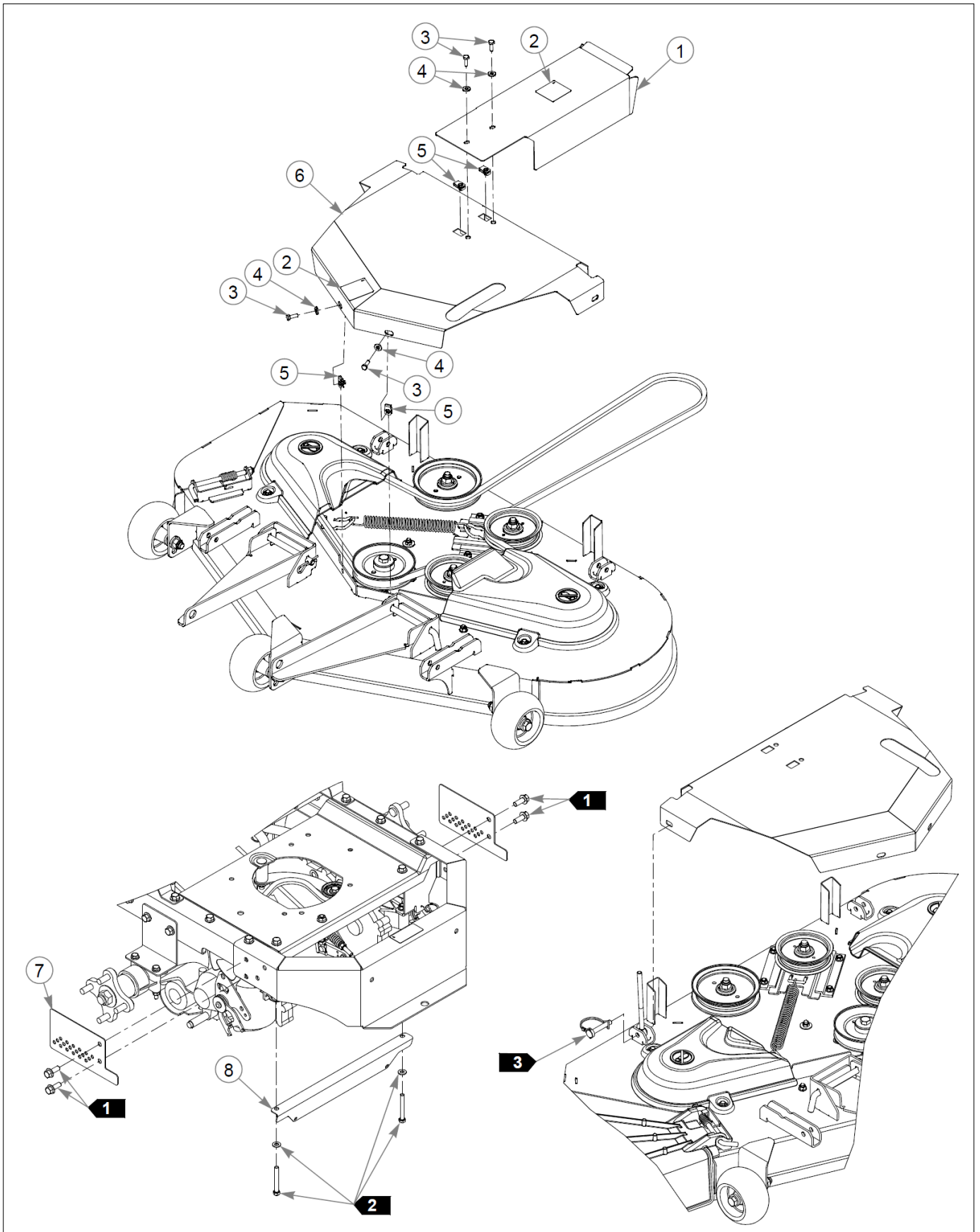
Frame, Fenders, Instrument Panel & Engine Guard Section





Item	Part No.	Name	Qty	Uom
1	601097	CABLE, CHOKE	1	EA
2	776476	SWITCH, PTO 6201-321	1	EA
3	769166	HOUR METER	1	EA
4	785808	KEY ASSEMBLY	1	EA
5	552300	SERVICE, INSTR PANEL	1	EA
6	604889	DECAL, INSTRUMENT PANEL	1	EA
7	045898	IGNITION SWITCH	1	EA
8	055939	CS .250-20X0.750HXG5	1	EA
9	601098	CB 10-24 X .500 ZYNC	2	EA
10	704932	FW 0.219X0.500X0.048	2	EA
11	059832	NT #10-24 HX NL ZN	2	EA
12	601096	CABLE, THROTTLE	1	EA
13	604324	CS .250-20 X .75 HX FLG	8	EA
14	552809	SVC, FENDER RS	1	EA
15	552810	SVC, FENDER LS	1	EA
16	601982	CN .250-20X .150 MAX THK	1	EA
17	552414	SVC, FOOTREST	1	EA
18	602407	DECAL, HUSTLER ID	1	EA
19	029629	CS .375-16X0.750FLK	2	EA
20	016899	NT .375-16 FLKG5	2	EA
21	000331	WIRE TIE, SMALL/SHORT	2	EA
22	604388	DECAL, RAPTOR FENDER	2	EA
23	604876	WIRE HARNESS	1	EA
24	114052	KIT, CLUTCH CONN. REP.	1	EA

Frame, Fenders, Instrument Panel & Engine Guard Section



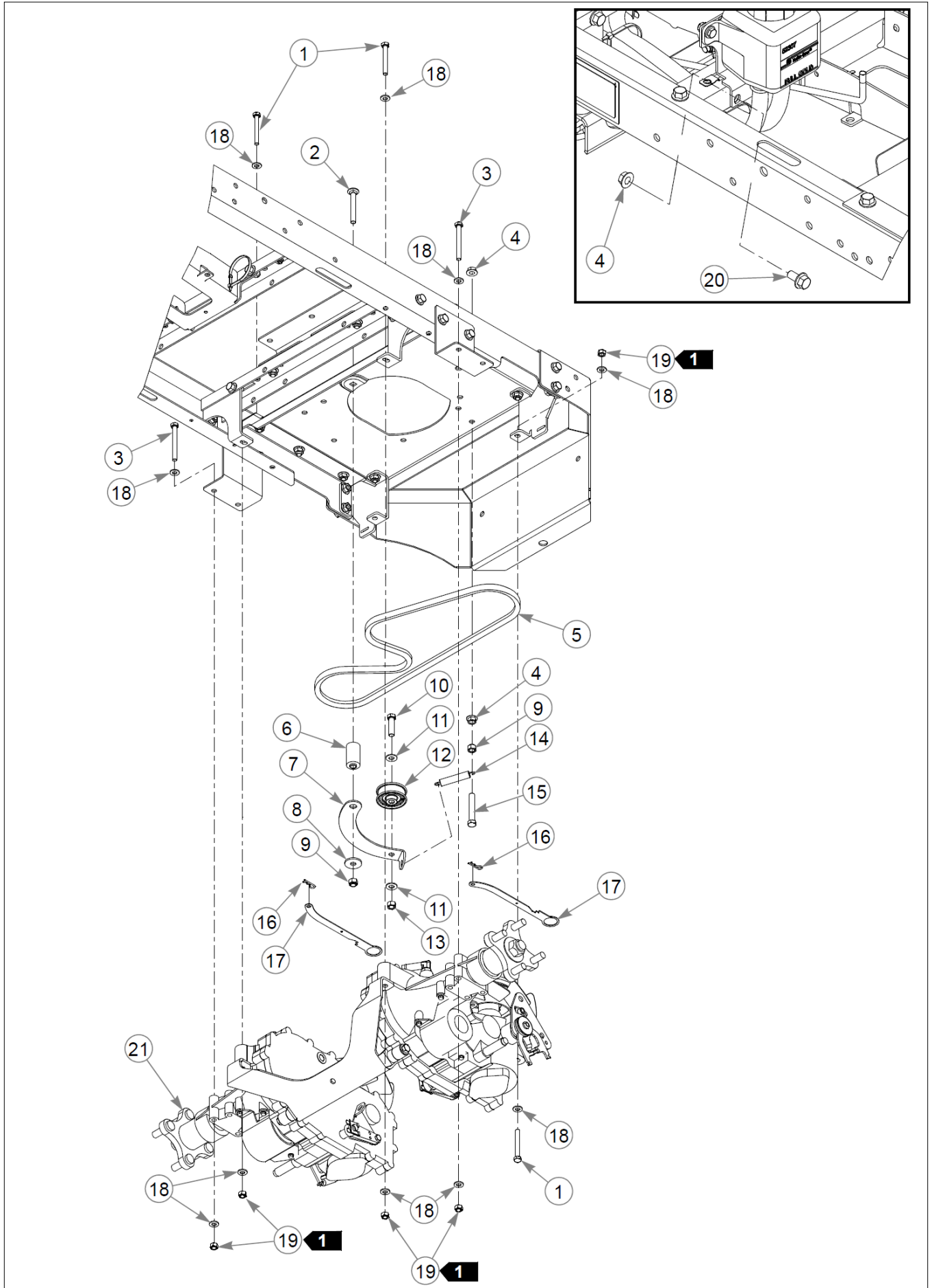
Item	Part No.	Name	Qty	Uom
1	552982	SERVICE GUARD	1	EA
2	602562	DECAL, NO SERVICE	2	EA
3	055939	CS .250-20X0.750HXG5	4	EA
4	768515	FW 0.281SAE	4	EA
5	601982	CN .250-20X .150 MAX THK	4	EA
6	552981	PULLEY GUARD	1	EA
7	120855	GUARD, TRANS. SIDE, CE	2	EA
8	120838	GUARD, RAPTOR CLUTCH, CE	1	EA

Comments for Page: Guards

jmumford@excelii.com on May 1, 2015

1. Part of the Frame Assembly.
2. Part of the Transmission Assembly.
3. Part of the Deck Lift Assembly.

Transmission & Steering Section



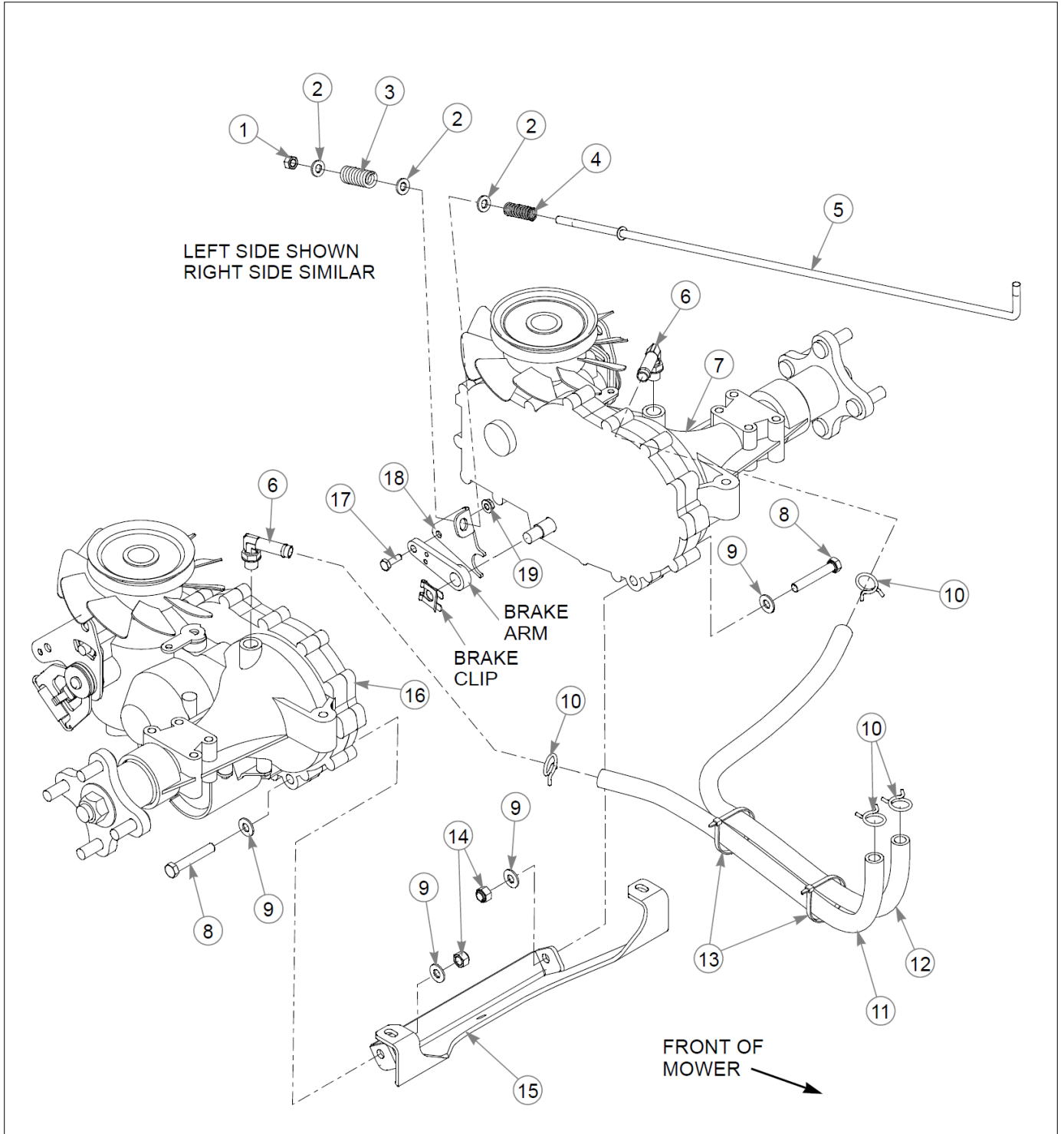
Item	Part No.	Name	Qty	Uom
1	710087	CS .312-18X2.500HXG5	4	EA
2	601887	CB .375-16 X 2.75 STD ZN	1	EA
3	043067	CS .312-18X3.000HXG5	4	EA
4	016899	NT .375-16 FLKG5	3	EA
5	603907	BELT, DRIVE	1	EA
6	604714	SPACER, IDLER	1	EA
7	116287	IDLER ARM	1	EA
8	712893	FW 0.406X1.250X0.120	1	EA
9	086660	NT .375-16NLG5	2	EA
10	080655	CS .375-16X1.500HXG5	1	EA
11	767954	FW 0.379 x 0.813 x 0.063	2	EA
12	604491	PULLEY, 2.0" IDLER	1	EA
13	054502	NT .375-16HXG5	1	EA
14	604490	SPRING, 3.00 X .50 EXT	1	EA
15	604487	CS .375-16 X 2.50 FULTH	1	EA
16	706549	HP0.080X1.190	2	EA
17	118310	LINK, TOW VALVE	2	EA
18	768523	FW 0.343SAE	16	EA
19	058776	NT .312-18NLG5	8	EA
20	029629	CS .375-16X0.750FLK	1	EA
21	N/A	TRANSMISSION ASSEMBLY	1	EA

Comments for Page: Hydraulic System

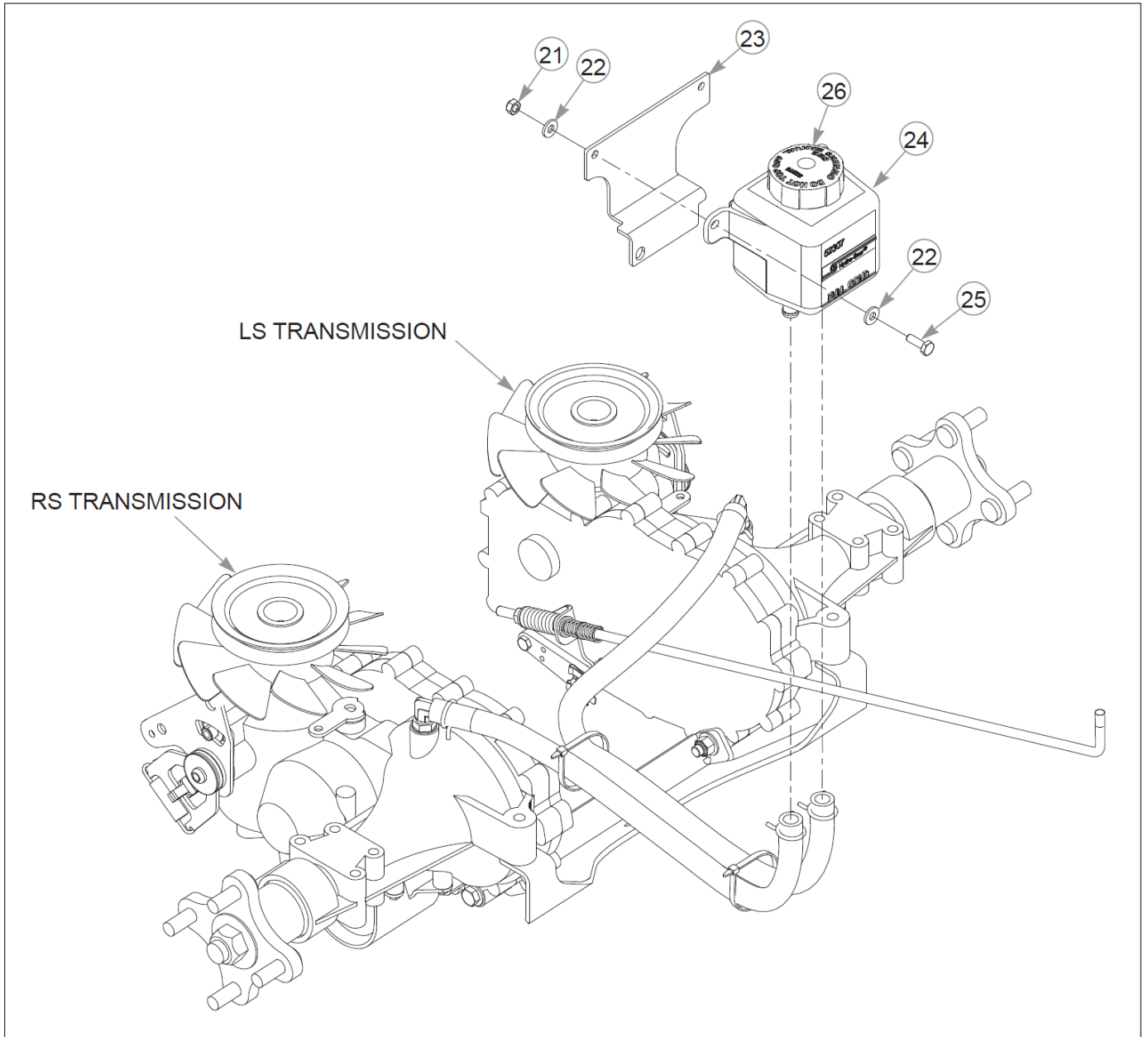
jnumford@excelii.com on May 1, 2015

1. Torque to 23 N•m.

Transmission & Steering Section

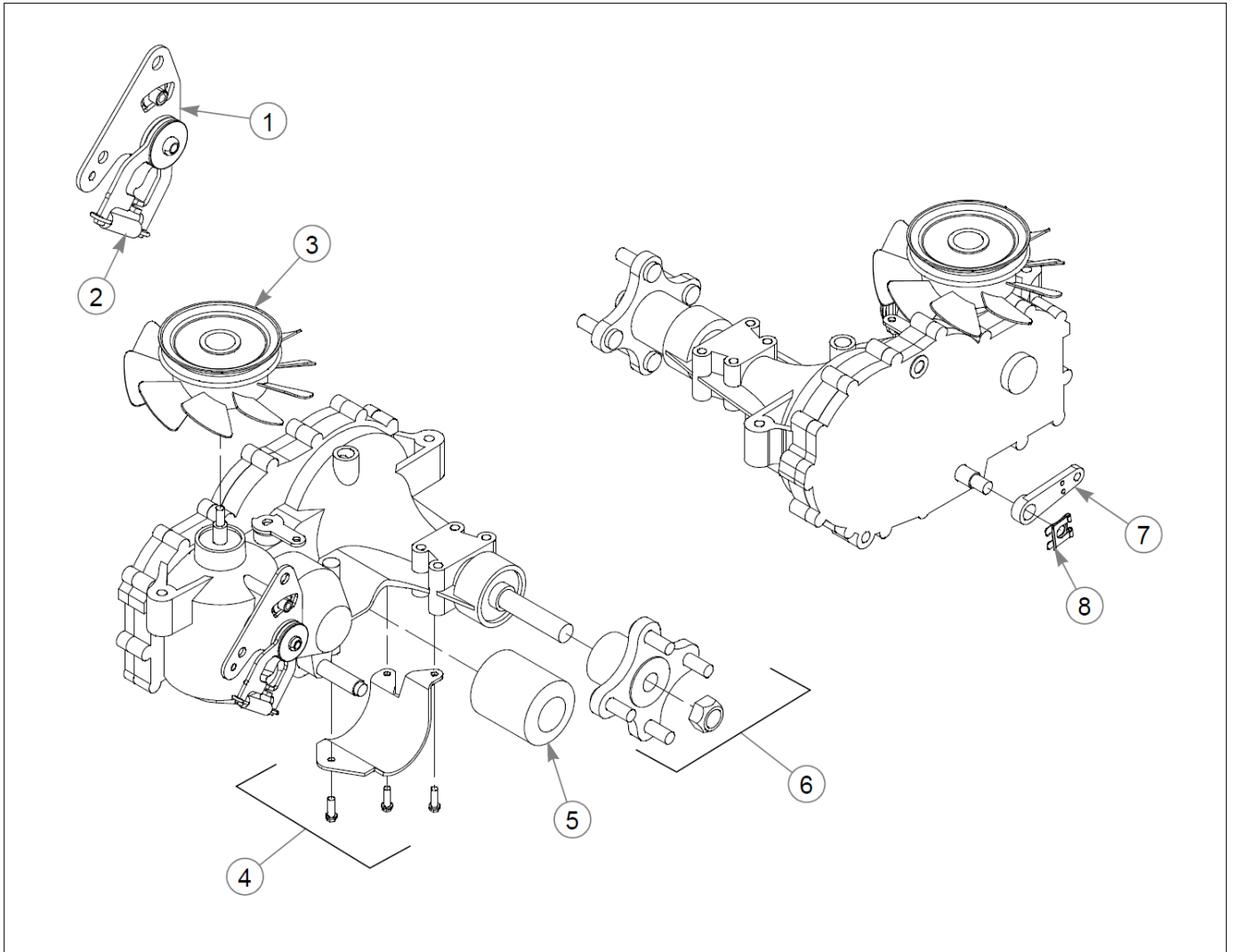


Item	Part No.	Name	Qty	Uom
1	058776	NT .312-18NLG5	2	EA
2	768523	FW 0.343SAE	6	EA
3	601051	OVERTRAVEL SPRING	2	EA
4	601131	SPRING, BRAKE ARM RET.	2	EA
5	604667	ROD, BRAKE ACTUATOR	2	EA
6	601219	FTG, 90 - 9/16 SAE	2	EA
7	604709	ZT2800, 20.69:1 LH TRANS	1	EA
8	056036	CS .375-16X2.250HXG5	2	EA
9	767954	FW 0.379 x 0.813 x 0.063	4	EA
10	601001	SPRING CLAMP, .75" DIA	4	EA
11	787713	HOSE, 1/2" LOW PRESSURE	19"	FT
12	787713	HOSE, 1/2" LOW PRESSURE	28"	FT
13	000331	WIRE TIE, SMALL/SHORT	2	EA
14	086660	NT .375-16NLG5	2	EA
15	118942	CROSS BRACE, RSD	1	EA
16	604708	ZT2800, 20.69:1 RH TRANS	1	EA
17	055939	CS .250-20X0.750HXG5	2	EA
18	109203	BRAKE SPRING LINK, LS	1	EA
19	016816	NT .250-20FLKG5	2	EA
20	109202	BRAKE SPRING LINK, RS	1	EA
21	068551	NT .250-20 HXZY NL	2	EA
22	768515	FW 0.281SAE	4	EA
23	118284	EXPANSION TANK MNT	1	EA
24	601996	EXPANSION TANK, ZT2800	1	EA
25	055939	CS .250-20X0.750HXG5	2	EA
26	600767	CAP, OVERFLOW TANK	1	EA





Transmission & Steering Section



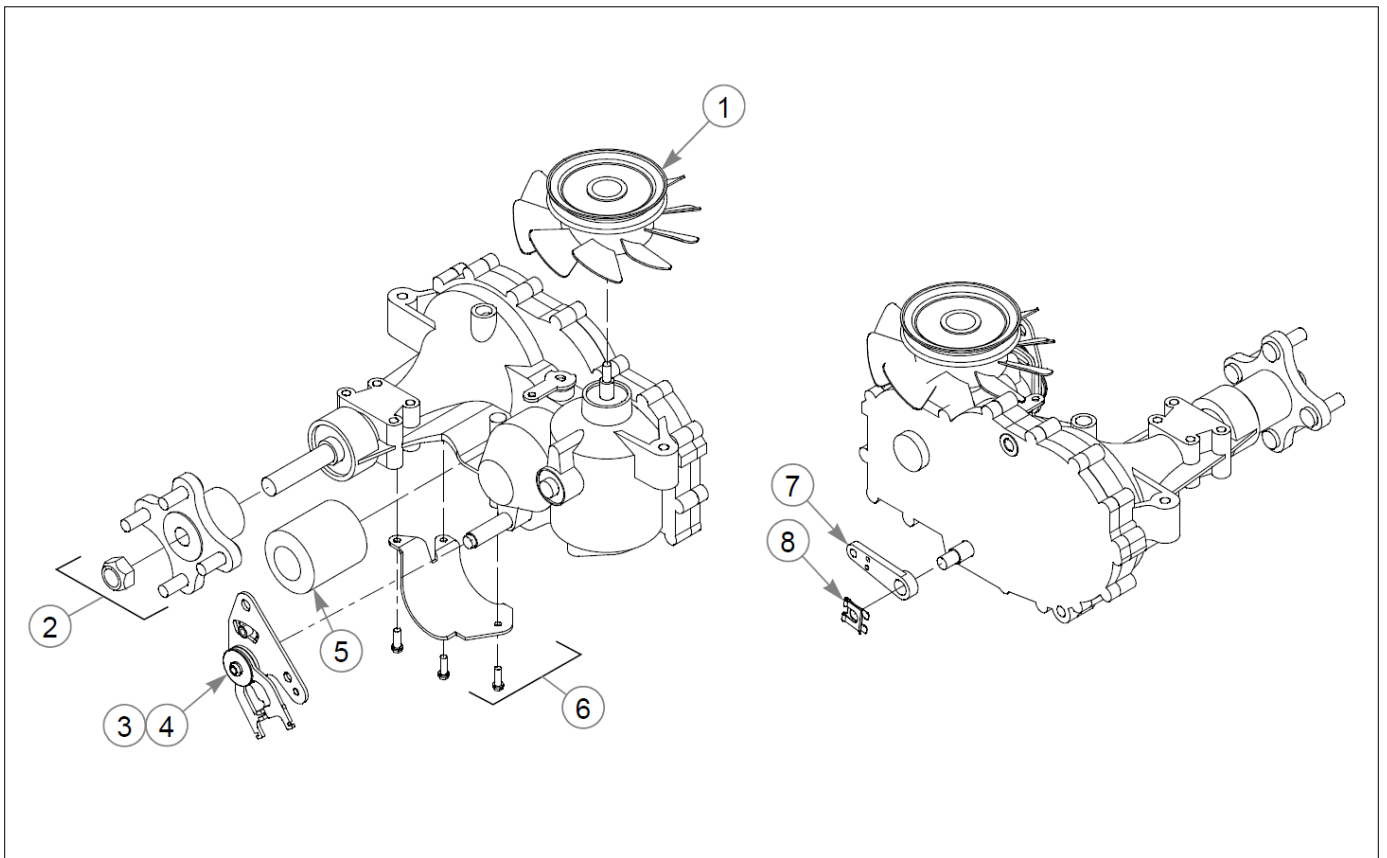
Item	Part No.	Name	Qty	Uom
1	604901	HG RTN CW	1	EA
2	604903	HG RTN SPRING	1	EA
3	602094	FAN / PULLEY KIT	1	EA
4	600975	GUARD, FILTER, LH	1	EA
5	600976	FILTER, OIL	1	EA
6	600970	KIT, HUB, 4 BOLT	1	EA
7	601221	ZT2800 BRAKE ARM - 2007	1	EA
8	600972	CLIP, RETAINING	1	EA

Comments for Page: Transmission Service Parts - Right Side

jmumford@excelii.com on May 1, 2015

1. LS filter guard (600975) includes hardware.
2. Hub kit (600970) includes the hub nut.

Transmission & Steering Section



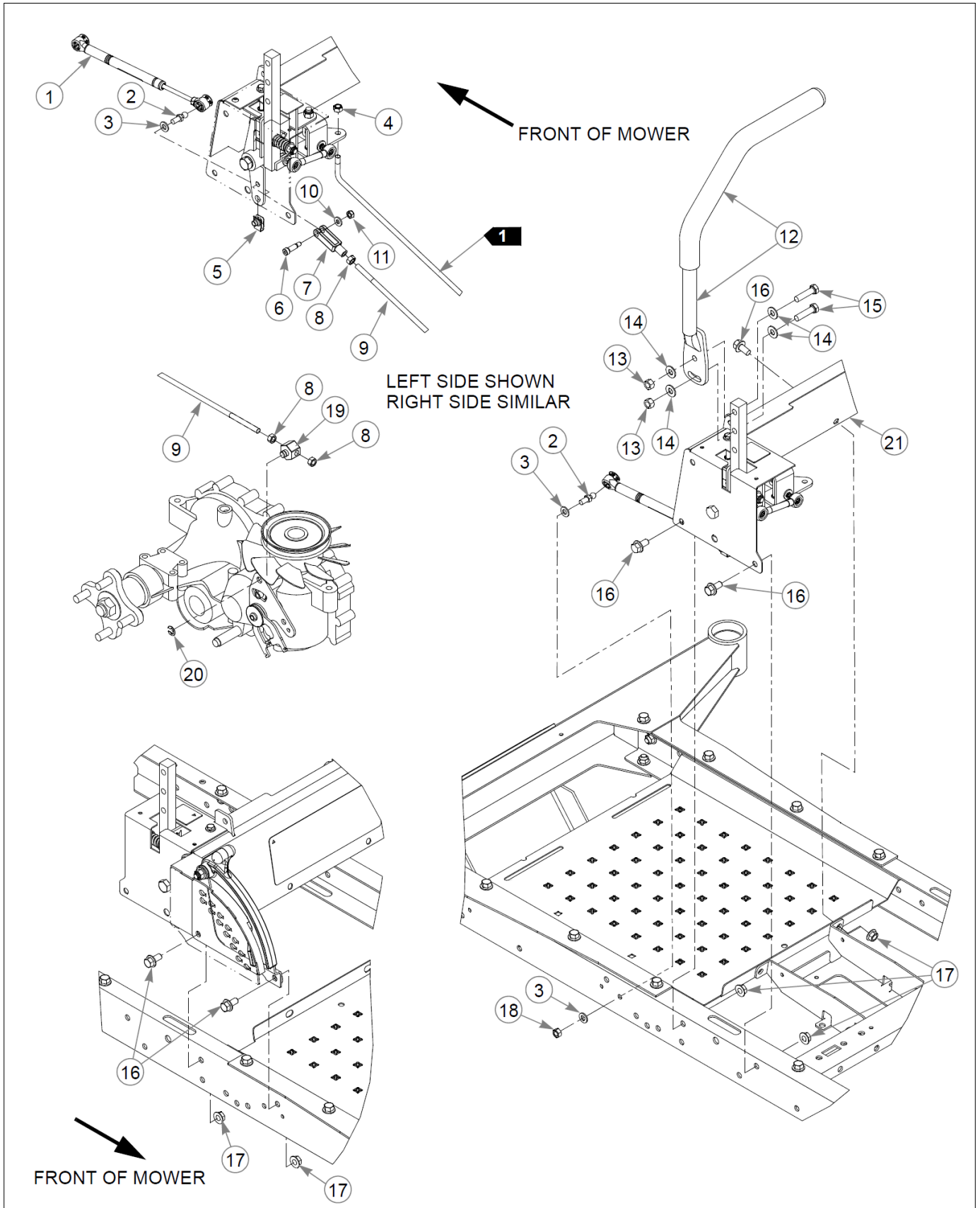
Item	Part No.	Name	Qty	Uom
1	602094	FAN / PULLEY KIT	1	EA
2	600970	KIT, HUB, 4 BOLT	1	EA
3	604902	HG RTN CCW	1	EA
4	604903	HG RTN SPRING	1	EA
5	600976	FILTER, OIL	1	EA
6	600974	GUARD, FILTER, RH	1	EA
7	601221	ZT2800 BRAKE ARM - 2007	1	EA
8	600972	CLIP, RETAINING	1	EA

Comments for Page: Transmission Service Parts - Left Side

jmumford@excelii.com on Oct 28, 2015

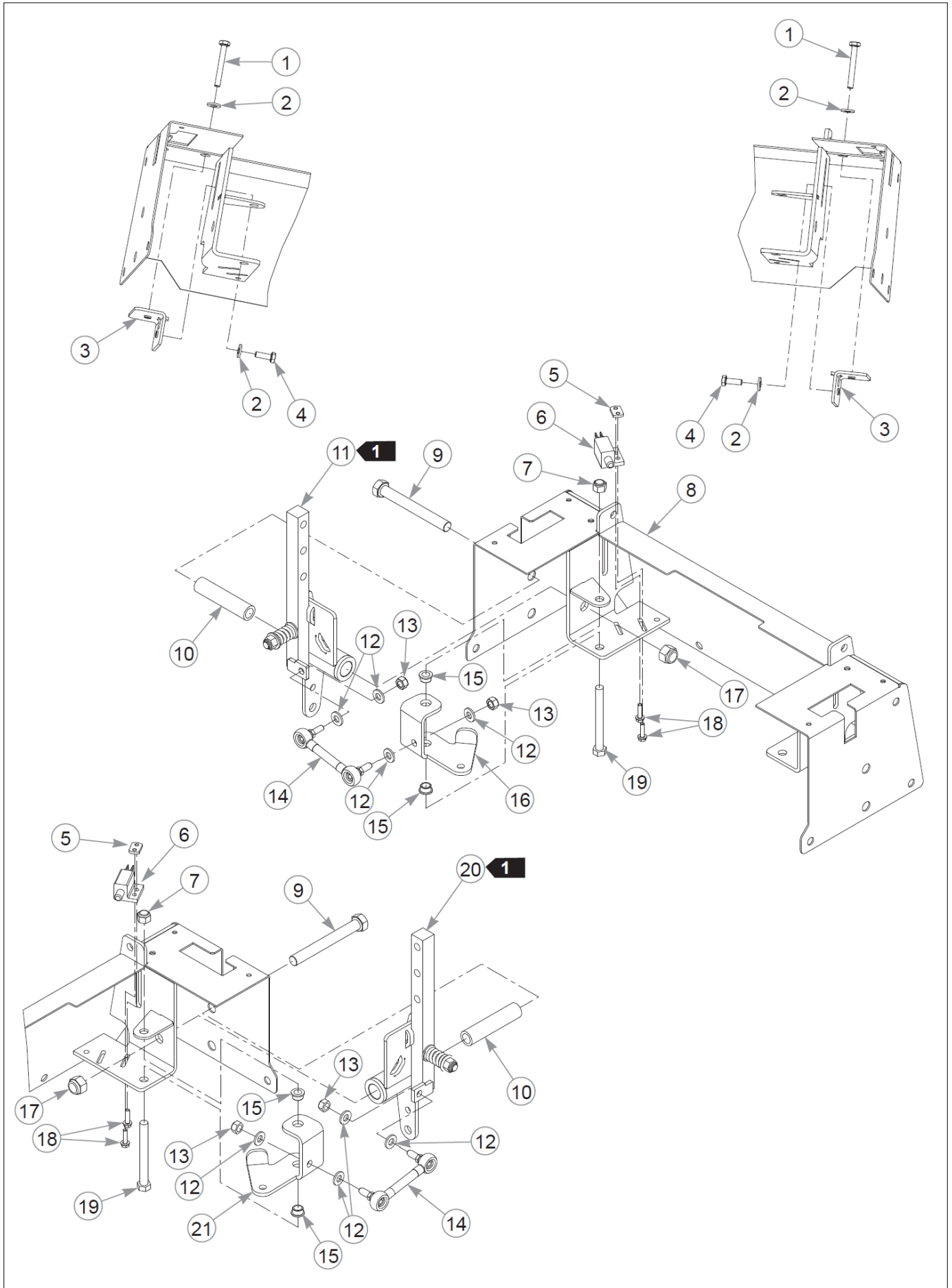
1. The LS filter guard kit (600975) includes the bolts.
2. The hub kit (600970) includes the hub nut.

Transmission & Steering Section



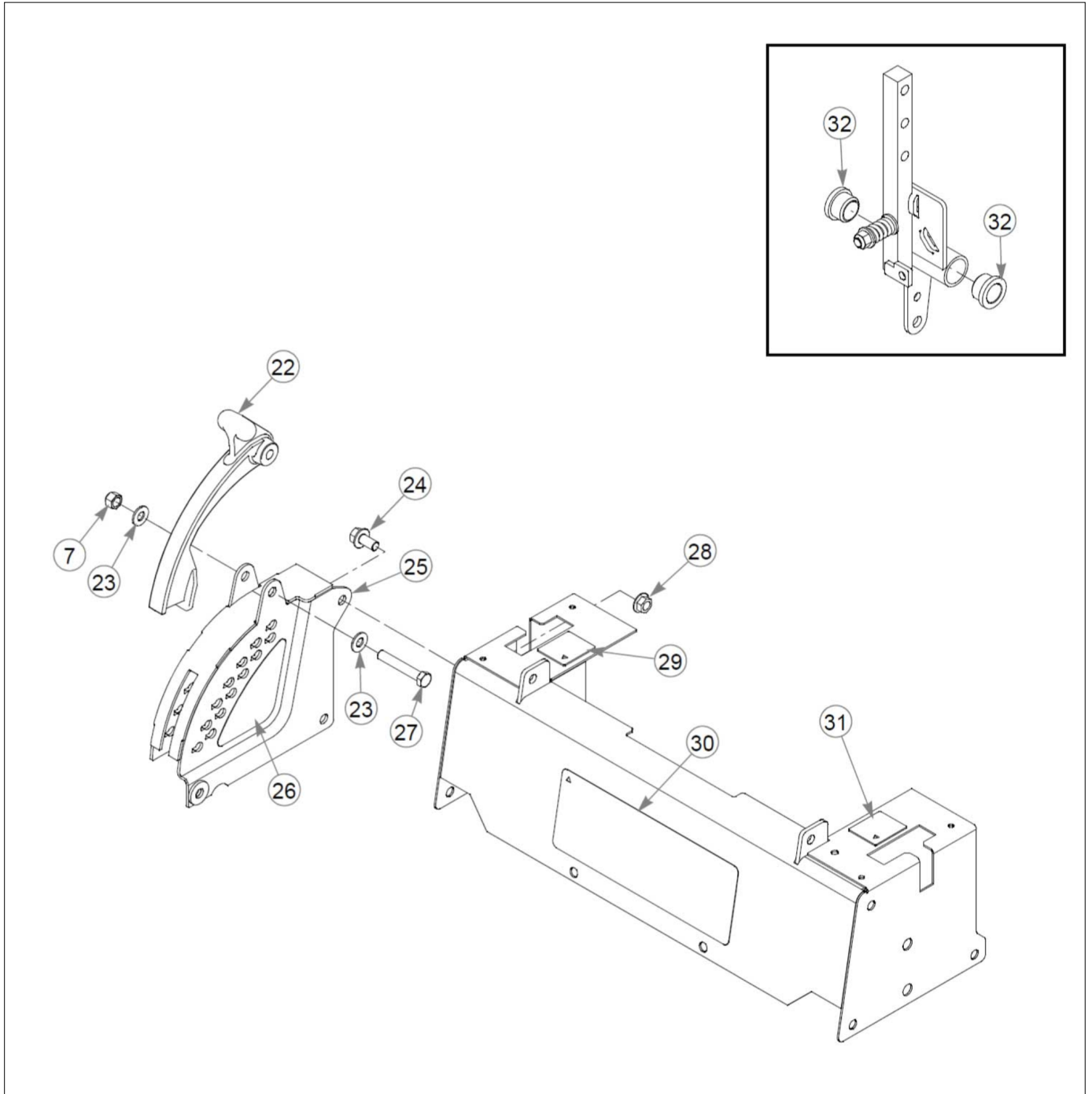
Item	Part No.	Name	Qty	Uom
1	603983	DAMPER	2	EA
2	781922	BALL STUD, DAMPER	4	EA
3	768523	FW 0.343SAE	6	EA
4	058776	NT .312-18NLG5	2	EA
5	601069	CN .312-18x.200 MAX THK	2	EA
6	772483	SB0.312X0.750SH0.250-20	2	EA
7	604173	YOKE, 5/16-24	2	EA
8	041152	NT .312-24 HX ZNYC	6	EA
9	604666	ROD, STEERING	2	EA
10	768515	FW 0.281SAE	2	EA
11	068551	NT .250-20 HXZY NL	2	EA
12	110370	STEERING BAR W/ GRIP	2	EA
Not Shown	781260	GRIP, STEERING BAR	1	EA
13	054502	NT .375-16HXG5	4	EA
14	767954	FW 0.379 x 0.813 x 0.063	8	EA
15	080655	CS .375-16X1.500HXG5	4	EA
16	029629	CS .375-16X0.750FLK	7	EA
17	016899	NT .375-16 FLKG5	7	EA
18	034272	NT .312-18HXG5	2	EA
19	116144	BLOCK, STEERING CONTROL	2	EA
20	603332	CLIP E .66 X .303 X .035	2	EA
21	N/A	STEERING COVER ASSEMBLY	1	EA

Transmission & Steering Section



Item	Part No.	Name	Qty	Uom
1	604452	CS .250-20x2.00 HX FLTHD	2	EA
2	768515	FW 0.281SAE	4	EA
3	605529	STOP, STEERING	2	EA
4	055939	CS .250-20X0.750HXG5	2	EA
5	601822	NUT PLATE, .420 CENTERS	2	EA
6	781211	SWITCH, PUSH BUTTON	2	EA
7	086660	NT .375-16NLG5	3	EA
8	552415	SVC, STEERING S/A	1	EA
9	781708	CS .500-13X4.250HXG5	2	EA
10	604288	SPACER, STEERING	2	EA
11	606106	STEERING BOX SUB, LH	1	EA
Not Shown	604300	STEERING BOX SUB, LH	1	EA
12	768523	FW 0.343SAE	8	EA
13	058776	NT .312-18NLG5	4	EA
14	604179	BRAKE LINK	2	EA
15	765339	BUSHING,IGUS#0608 (FS)	4	EA
16	116142	BRAKE BLCRNK, LH	1	EA
17	781567	NT .500-13NLG5	2	EA
18	063198	CS#10-24X0.750FLKG5	4	EA
19	005108	CS .375-16X3.500HXG5	2	EA
20	606105	STEERING BOX SUB, RH	1	EA
Not Shown	604299	STEERING BOX SUB, RH	1	EA
21	116141	BRAKE BLCRNK, RH	1	EA
22	605149	TRANSPORT LATCH	1	EA
23	767954	FW 0.379 x 0.813 x 0.063	2	EA
24	029629	CS .375-16X0.750FLK	1	EA
25	552177	SERVICE, INDICATOR PANEL	1	EA
26	604819	DECAL, DECK HEIGHT	1	EA
27	056036	CS .375-16X2.250HXG5	1	EA
28	016899	NT .375-16 FLKG5	1	EA





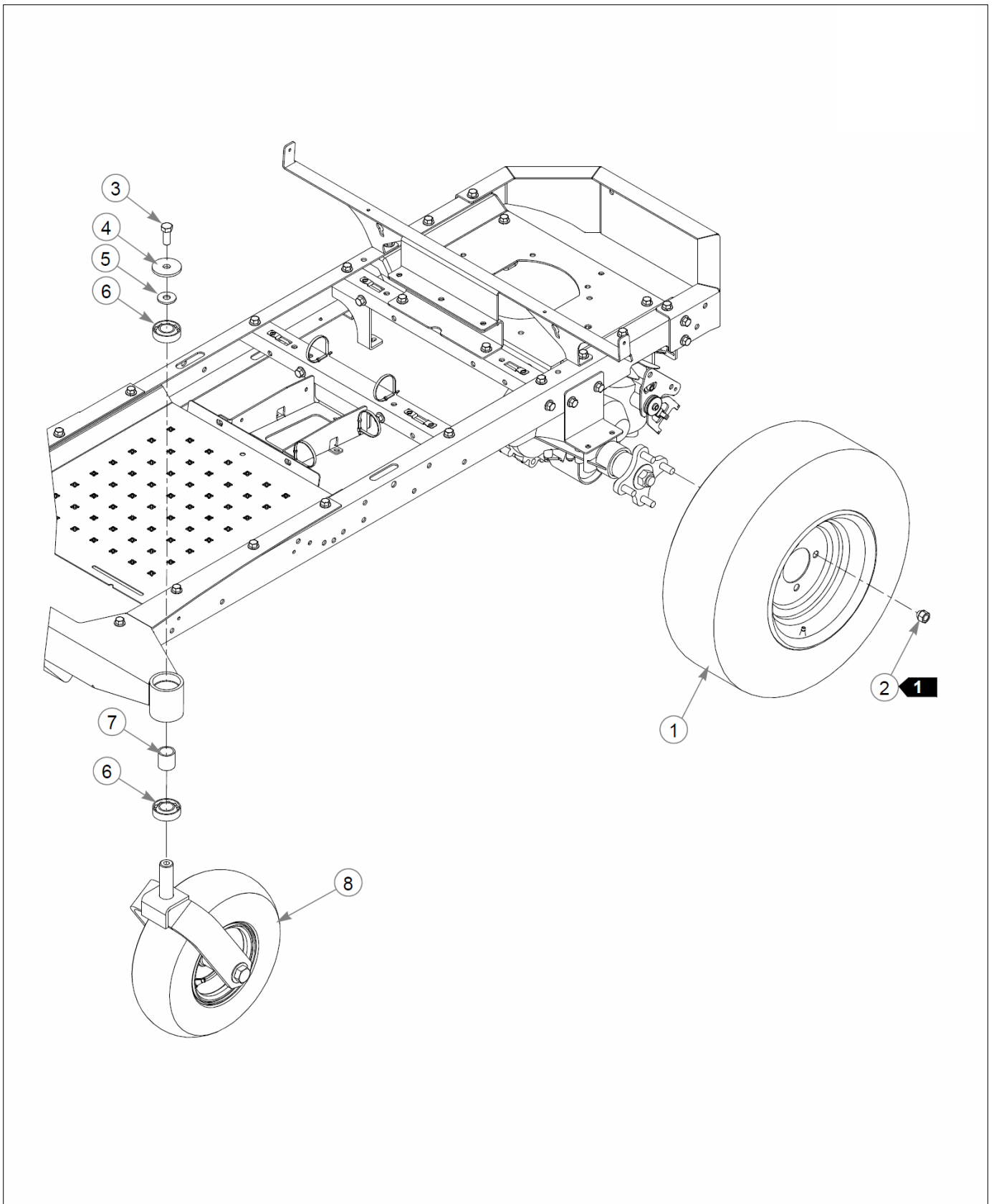
Item	Part No.	Name	Qty	Uom
29	785220	DECAL, STEERING R.S.	1	EA
30	604840	DECAL, ID RSD	1	EA
31	785139	DECAL, STEERING L.S.	1	EA
32	781153	BUSHING, UHMW	4	EA

Comments for Page: Steering Cover Assembly

jmumford@excelii.com on May 1, 2015

1. 606106 and 606105 are used on mowers S/N 15100000 & higher. 604300 and 604299 are used on mowers S/N prior to 15100000.
2. Steering cover (552415) includes decals.
3. Indicator (552177) includes the decal (604819).

Wheels & Tires Section



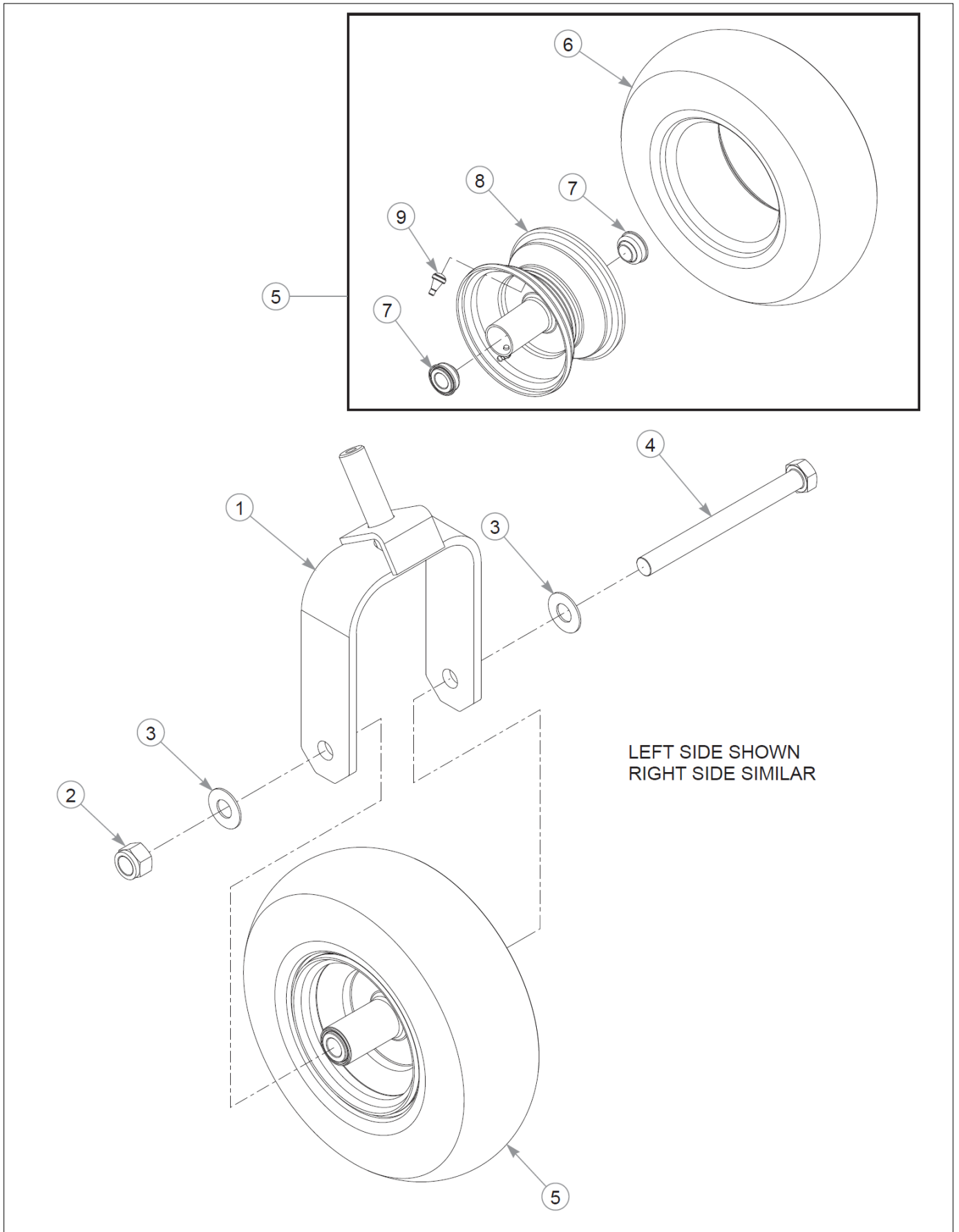
Item	Part No.	Name	Qty	Uom
1	600676	TIRE/WHEEL ASSY 20x8-10	2	EA
2	061077	WHEEL NUT	8	EA
3	705954	CS .500-13X1.250HSG5	2	EA
4	344267	FW .510X 2.15X.187 SPL	2	EA
5	712976	FW 0.531X1.375X0.125	2	EA
6	784223	BEARING	4	EA
7	784603	SPACER	2	EA
8	N/A	TIRE/WHEEL ASSEMBLY	1	EA

Comments for Page: Wheel & Tire

jmumford@excelii.com on May 1, 2015

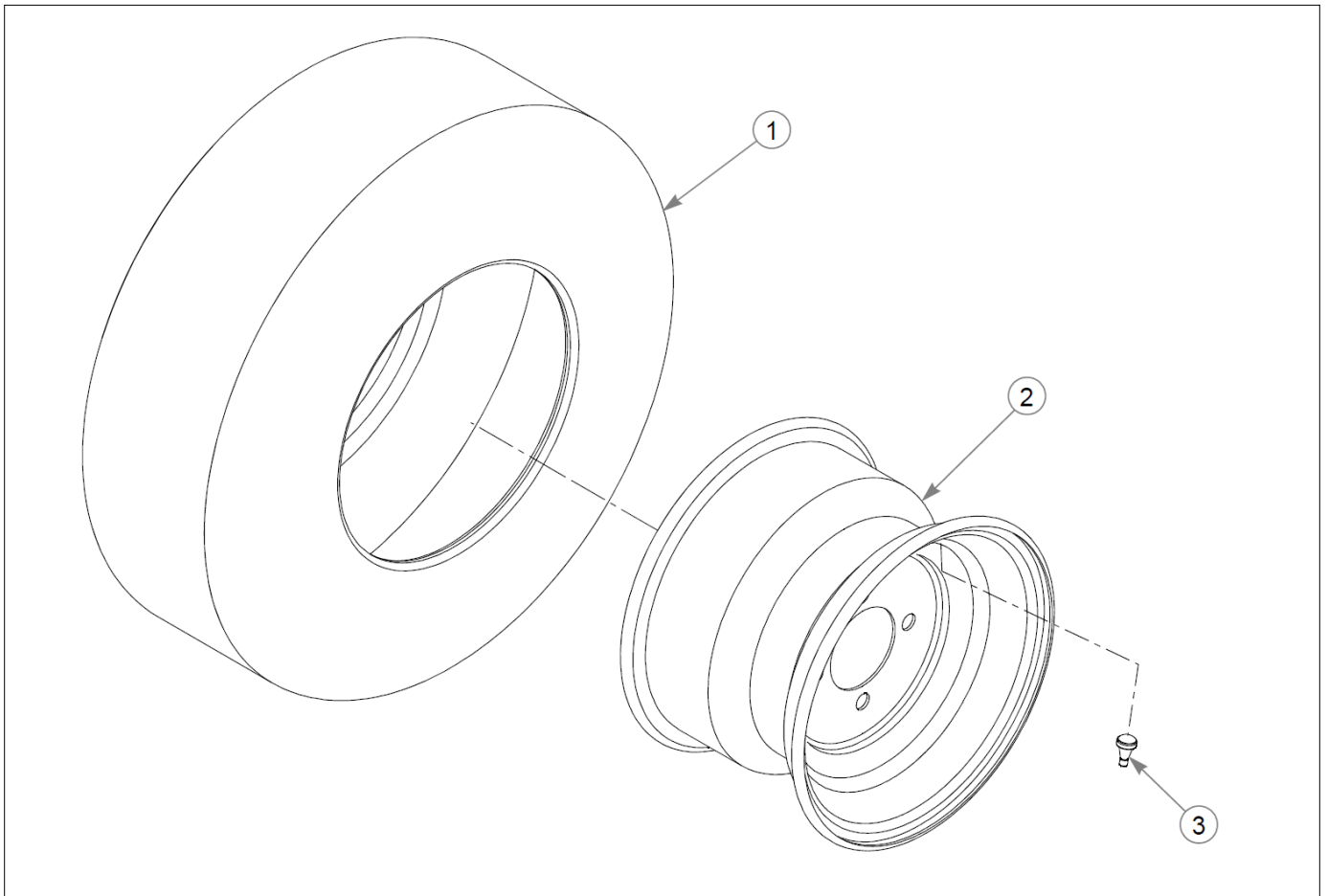
1. Torque to 88–102 N•m.

Wheels & Tires Section



Item	Part No.	Name	Qty	Uom
1	605042	FORK W/A, 13X5	1	EA
2	061101	NT .750-10 HX ZY NL GR B	1	EA
3	025296	FW .760X1.625X0.080	2	EA
4	786731	CS .750-10X8.000HXG5	1	EA
5	605038	TIRE/WHEEL ASSY 13X5.00	1	EA
6	605039	TIRE 13X5.0-6 SMOOTH	1	EA
7	786103	WHEEL BEARING	2	EA
8	786079	WHEEL	1	EA
9	019521	TIRE VALVE TR-412 GOODY	1	EA

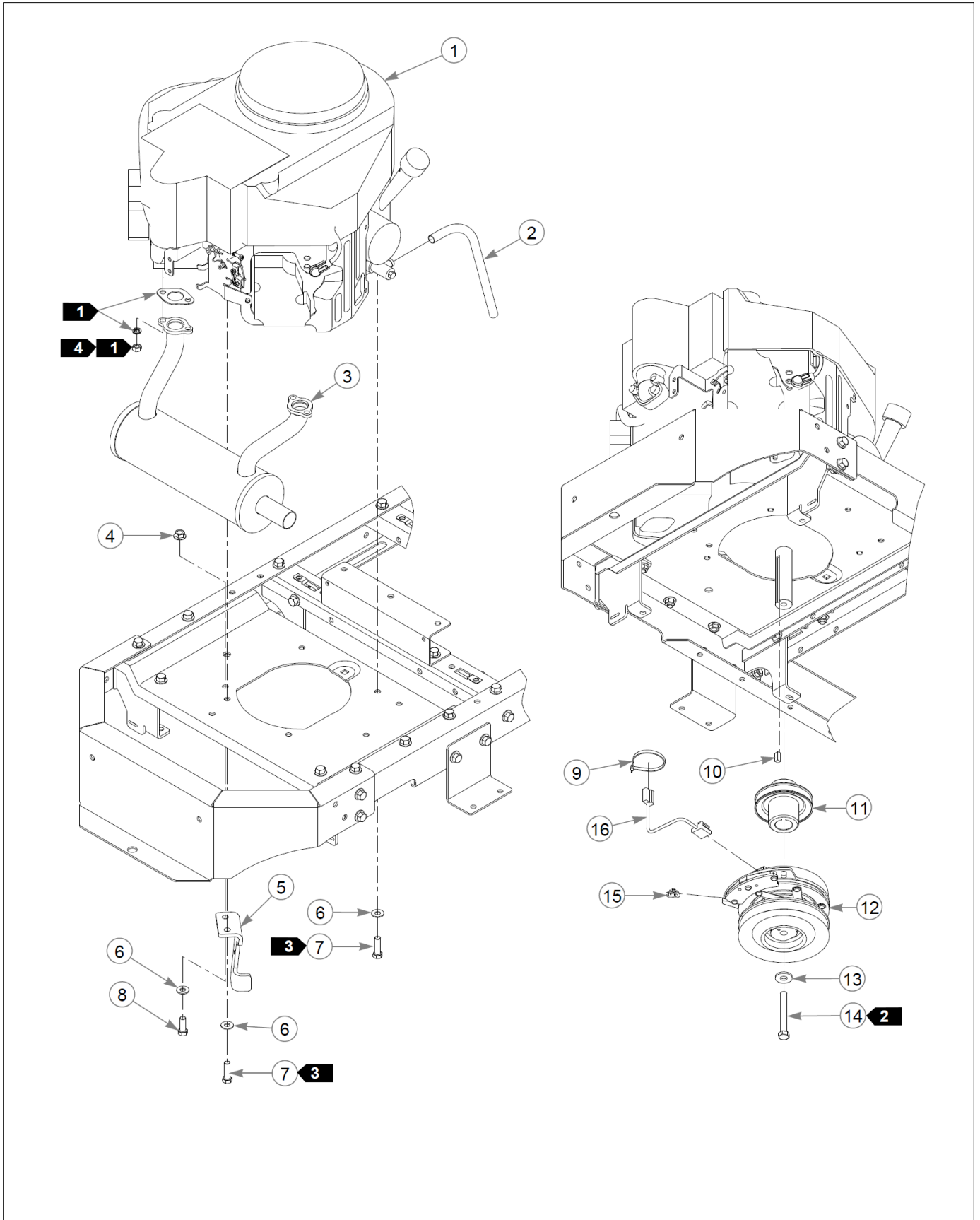
Wheels & Tires Section



Item	Part No.	Name	Qty	Uom
1	600692	TIRE 20X8-10	1	EA
2	600718	WHEEL 10X7 RIM, 4-4 BC	1	EA
3	019521	TIRE VALVE TR-412 GOODY	1	EA



Engine & Fuel Tank Section



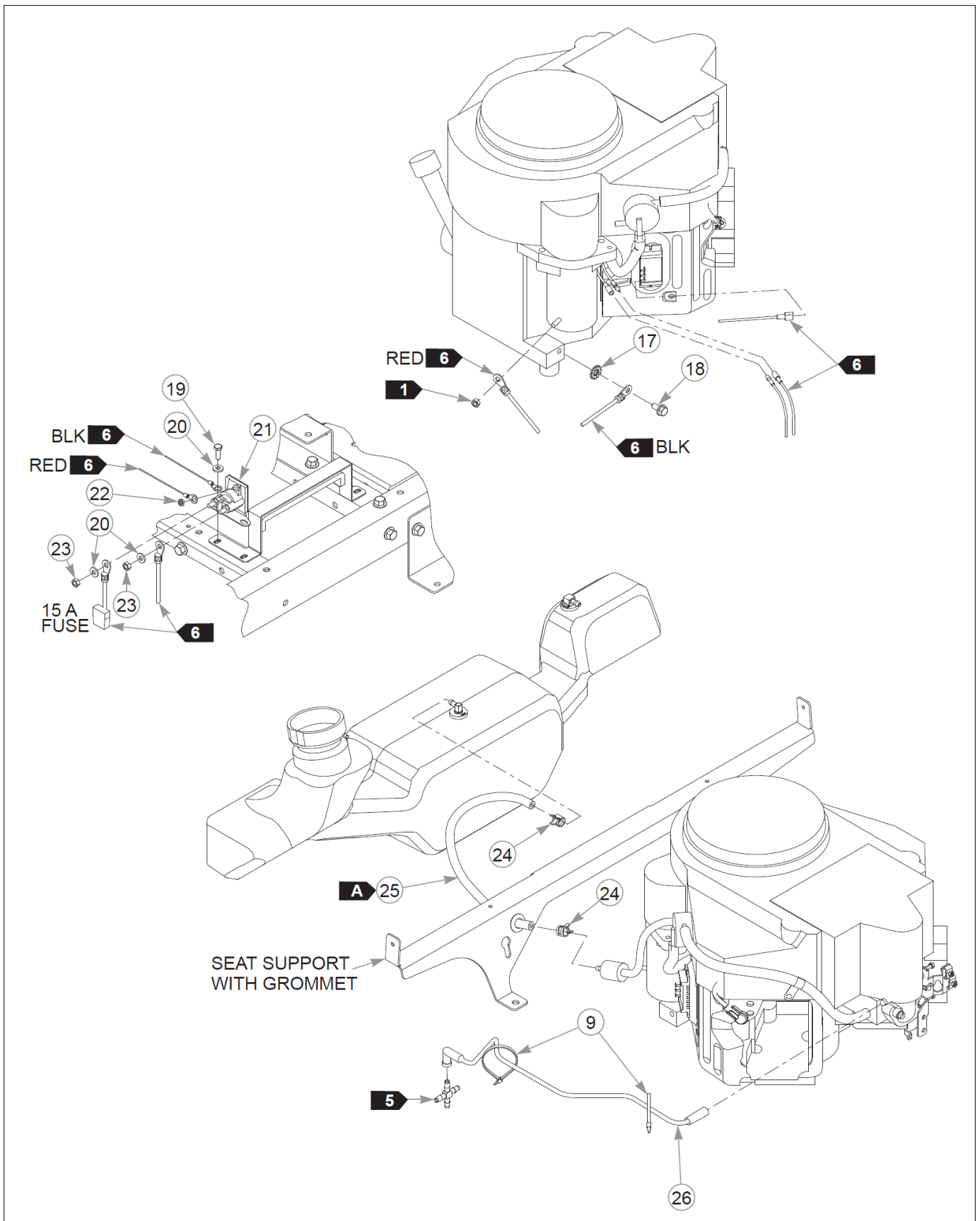
Item	Part No.	Name	Qty	Uom
1		ENGINE, KAW FR691V	1	EA
Not Shown	N/A	KAWASAKI FR730V ENGINE	1	EA
2	604463	HOSE, OIL DRAIN	12"	FT
3	604016	MUFFLER, FR730V	1	EA
4	016899	NT .375-16 FLKG5	1	EA
5	121625	CLUTCH ANCHOR	1	EA
6	767954	FW 0.379 x 0.813 x 0.063	5	EA
7	602580	CS .375-16x1.25 HXG8 P85	4	EA
8	036244	CS .375-16X1.000HXG5	1	EA
9	000331	WIRE TIE, SMALL/SHORT	4	EA
10	712372	KEY 1/4 SQ X 0.66 LG(FS)	1	EA
11	605675	PULLEY, ENG 4.118 OP	1	EA
12	605777K	CLUTCH KIT, 605777	1	EA
13	602680	FW .453X 1.12X .119 HRD	1	EA
14	601834	CS .437-20X3.25 HXG5 P85	1	EA
15	605595	BUSHING, CLUTCH	1	EA
16	791251	HARNESS, CLUTCH PIGTAIL	1	EA

Comments for Part Num. 791251

parts@excelii.com on Aug 28, 2015

Pigtail was updated with epoxy to hold the wires steady. The wire sheath was also updated to a more flexible material.

17	029876	LW0.325INTEXT	1	EA
18	720516	CS M8-1.25X16HX FL10.9	1	EA
19	055939	CS .250-20X0.750HXG5	2	EA
20	768515	FW 0.281SAE	4	EA
21	030817	STARTER SOLENOID HW KIT	1	EA
22	044255	NT #10-32HXG5	1	EA
23	024927	NT .250-20HXG5	2	EA
24	000323	CLIP, HOSE CLAMP	2	EA
25	015818	FUEL LINE, 1/4"	18"	FT



Item	Part No.	Name	Qty	Uom
26	604274	VAPOR LINE, 3/16 FORMED	1	EA

Comments for Page: Engine - S/N 15023236 & Higher (Multi-Page)

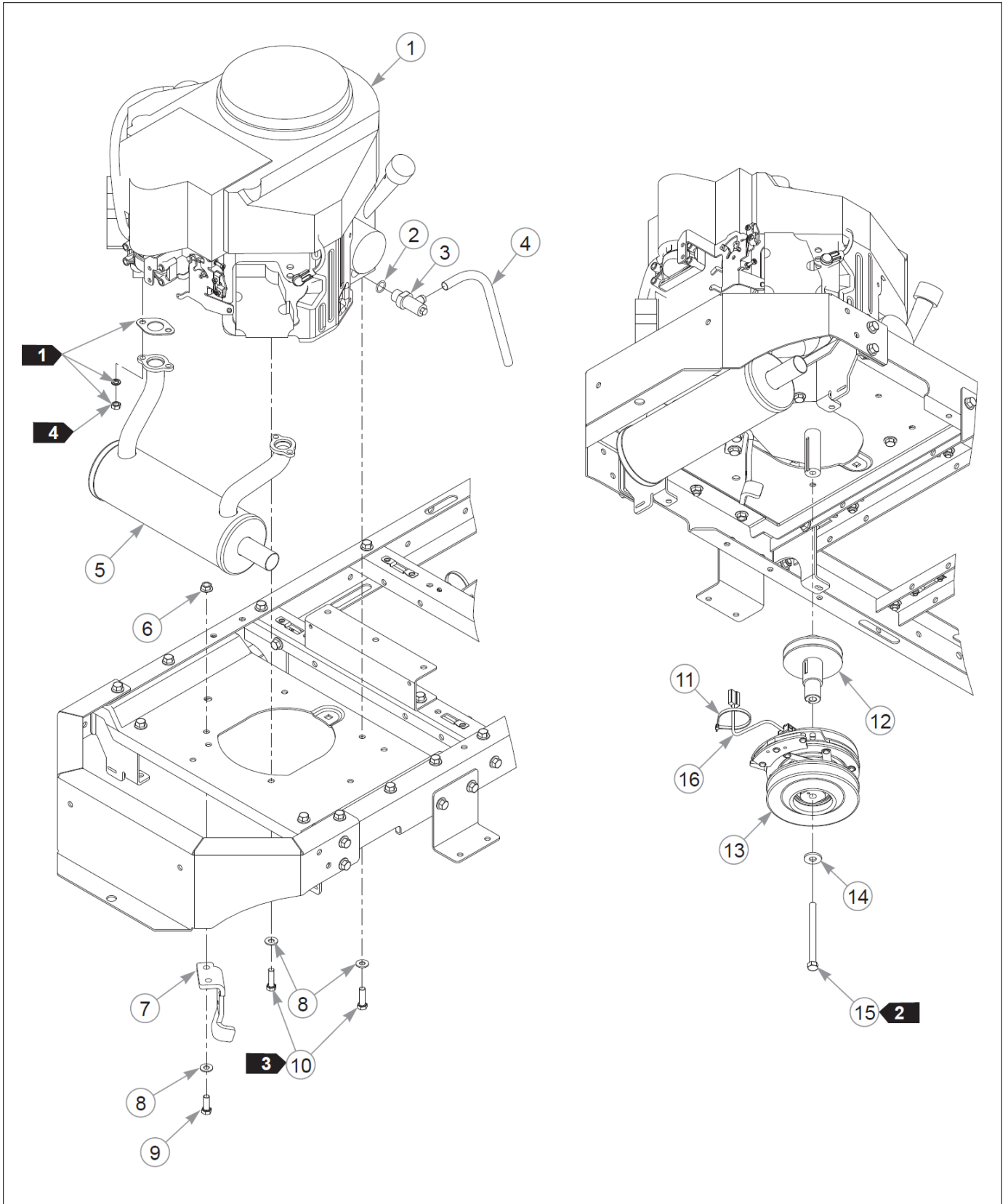
tmenadue@excelii.com on May 1, 2015

FUEL LINE LENGTHS

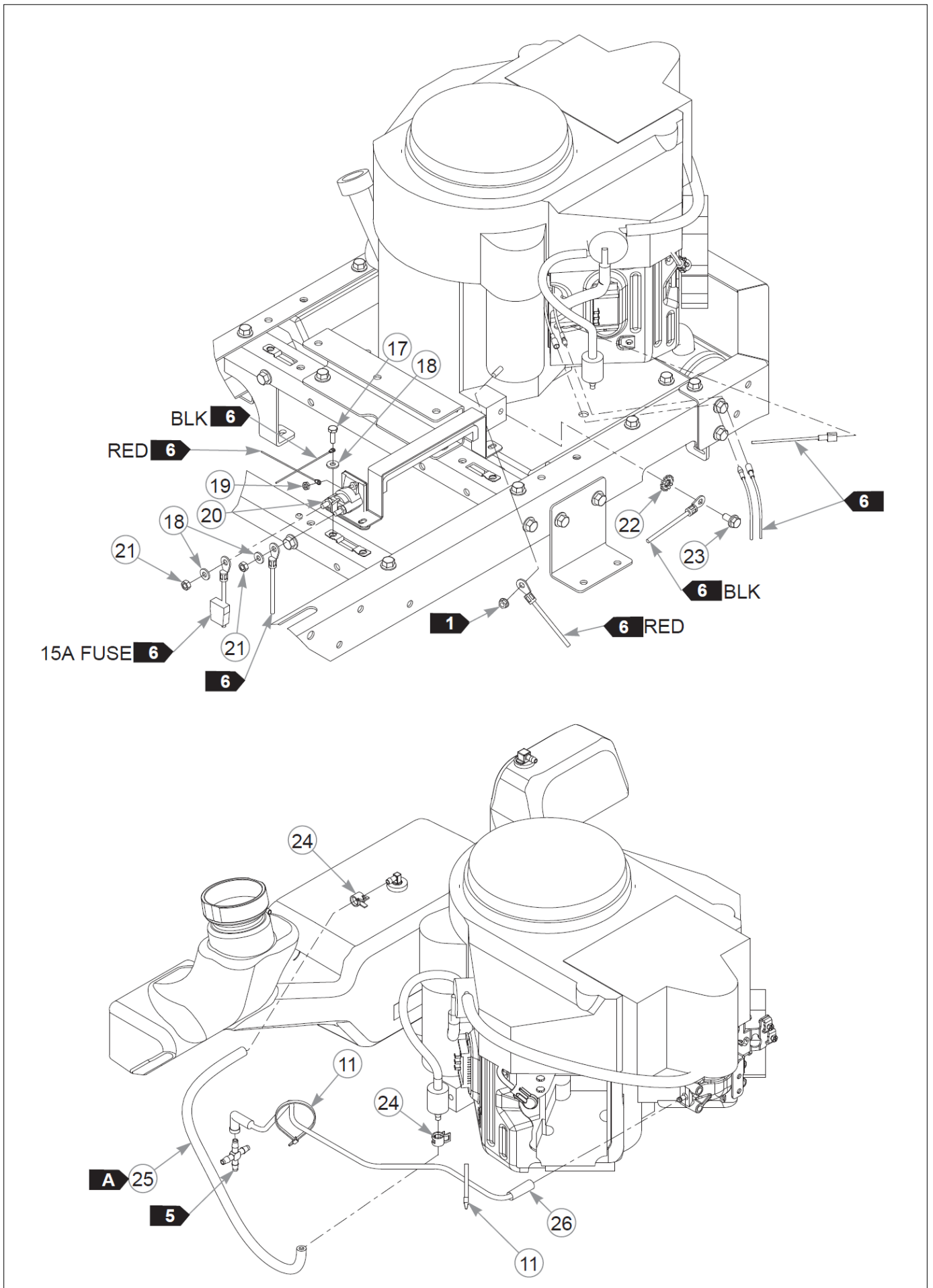
Flag A: 46 cm TANK TO FUEL FILTER (FUEL)

1. Supplied with the engine.
2. Torque to 61–65 N•m. Replace (do not reuse) the cap screw if it is removed or loosened. Use only hand tools to install this fastener.
3. Torque to 41–47 N•m. Replace (do not reuse) the cap screw if it is removed or loosened. Use only hand tools to install this fastener.
4. Torque to 30 N•m.
5. Part of the fuel system.
6. Part of the wire harness.

Engine & Fuel Tank Section



Item	Part No.	Name	Qty	Uom
1		ENGINE, KAW FR691V	1	EA
2	604369	O-RING	1	EA
3	604350	VALVE, OIL DRAIN	1	EA
4	604463	HOSE, OIL DRAIN	30 cm	FT
5	604016	MUFFLER, FR730V	1	EA
6	016899	NT .375-16 FLKG5	1	EA
7	118238	CLUTCH ANCHOR	1	EA
8	767954	FW 0.379 x 0.813 x 0.063	5	EA
9	036244	CS .375-16X1.000HXG5	1	EA
10	602580	CS .375-16x1.25 HXG8 P85	4	EA
11	000331	WIRE TIE, SMALL/SHORT	4	EA
12	604712	PULLEY, PUMP STUB SHAFT	1	EA
13	604713K	CLUTCH KIT, RSD	1	EA
14	602680	FW .453X 1.12X .119 HRD	1	EA
15	605448	CS .437-20X4.75 HXG5 P85	1	EA
16	791251	HARNES, CLUTCH PIGTAIL	1	EA
<p>Comments for Part Num. 791251</p> <p>parts@excelii.com on Aug 28, 2015</p> <p>Pigtail was updated with epoxy to hold the wires steady. The wire sheath was also updated to a more flexible material.</p>				
17	055939	CS .250-20X0.750HXG5	2	EA
18	768515	FW 0.281SAE	4	EA
19	044255	NT #10-32HXG5	1	EA
20	030817	STARTER SOLENOID HW KIT	1	EA
21	024927	NT .250-20HXG5	2	EA
22	029876	LW0.325INTEXT	1	EA
23	720516	CS M8-1.25X16HX FL10.9	1	EA
24	000323	CLIP, HOSE CLAMP	2	EA
25	015818	FUEL LINE, 1/4"	46 cm	FT
26	604274	VAPOR LINE, 3/16 FORMED	1	EA



Comments for Page: Engine - S/N Prior to 15023236 (Multi-Page)

jmumford@excelii.com on Nov 5, 2015

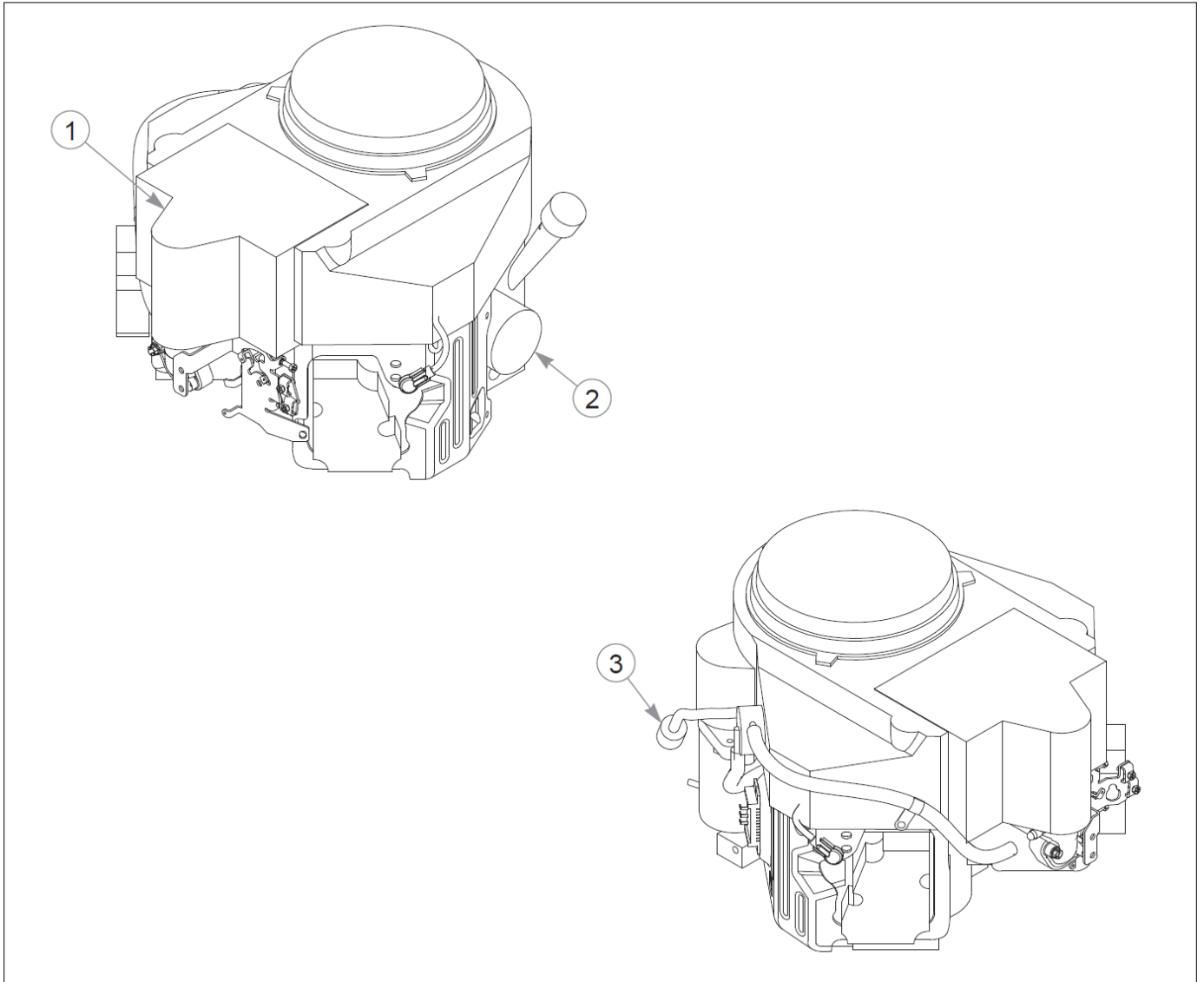
#### FUEL LINE LENGTHS

Flag A: 46 cm TANK TO FUEL FILTER (FUEL)

1. Supplied with the engine.
2. Torque to 61–65 N•m. Replace (do not reuse) the cap screw if it is removed or loosened. Use only hand tools to install this fastener.
3. Torque to 41–47 N•m. Replace (do not reuse) the cap screw if it is removed or loosened. Use only hand tools to install this fastener.
4. Torque to 30 N•m.
5. Part of the fuel system.
6. Part of the wire harness.

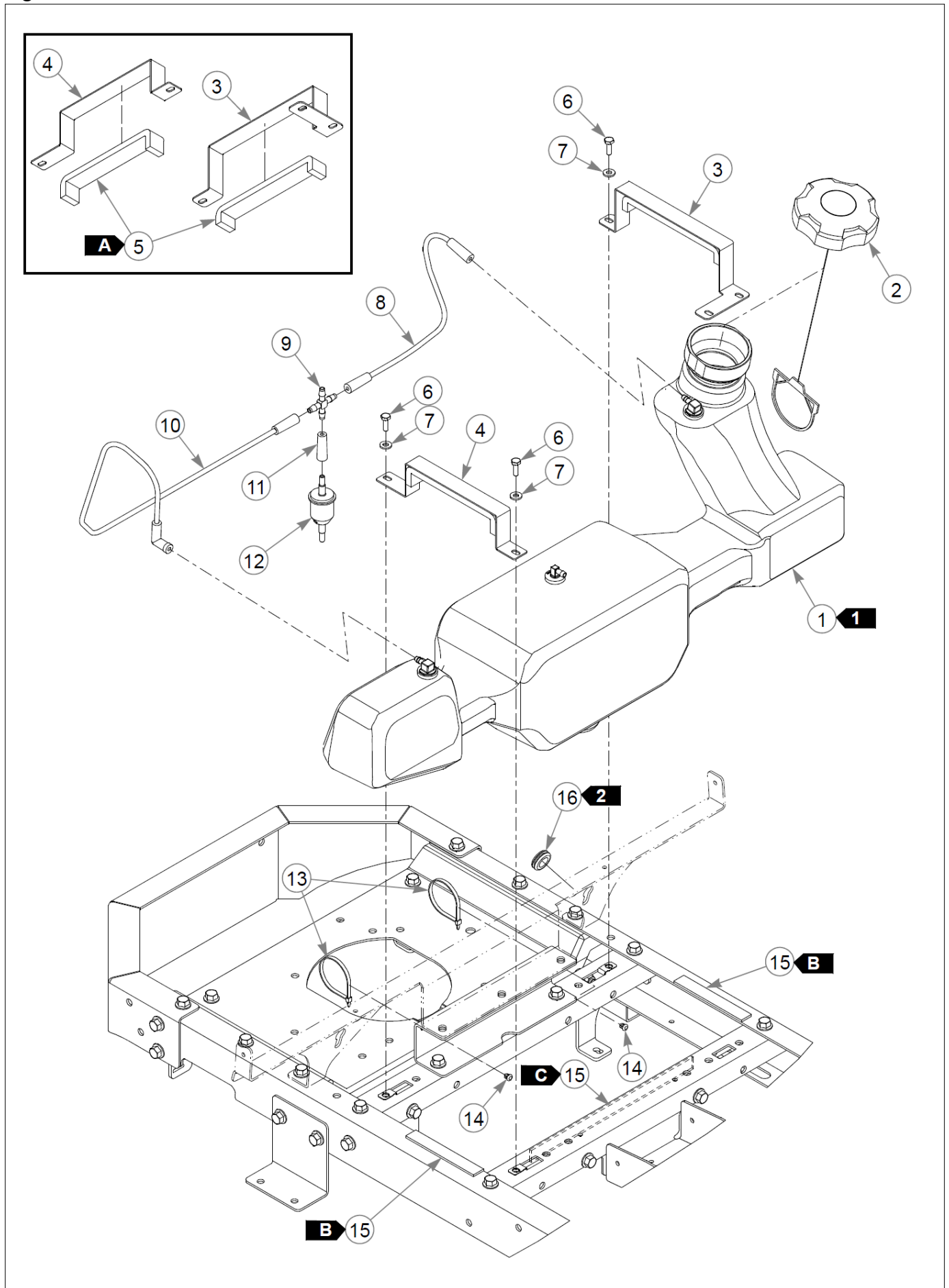


Engine & Fuel Tank Section



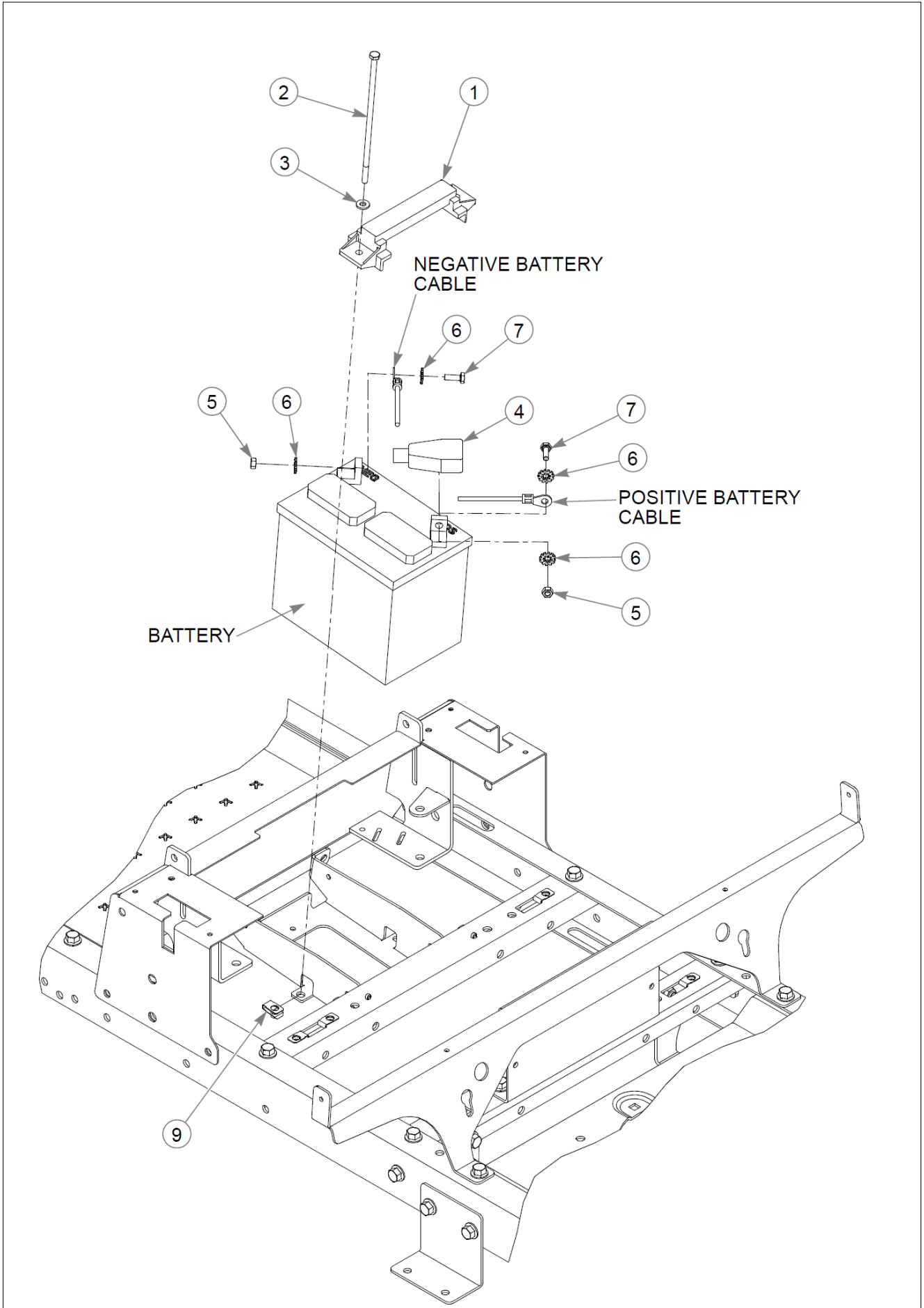
Item	Part No.	Name	Qty	Uom
1	603059	AIR FILTER, KAW W/CLAMP	1	EA
2	602581	OIL FILTER, KAW ENG.	1	EA
3	068478	FUEL FILTER IN-LINE	1	EA

Engine & Fuel Tank Section



Item	Part No.	Name	Qty	Uom
1	605958	ASSEMBLY, FUEL TANK	1	EA
<p>Comments for Part Num. 605958</p> <p>parts@excelii.com on Jul 7, 2015            FUEL TANK HAS NO SERVICEABLE PARTS. MUST ORDER COMPLETE FUEL TANK.</p>				
Not Shown	604336	ASSEMBLY, FUEL TANK	1	EA
<p>Comments for Part Num. 604336</p> <p>parts@excelii.com on Feb 11, 2015            FUEL TANK HAS NO SERVICEABLE PARTS. MUST ORDER COMPLETE FUEL TANK.</p>				
2	603807	CAP, 3.5" RATCHETING GAS	1	EA
3	117059	TANK MNT LEFT	1	EA
4	117060	TANK MNT RIGHT	1	EA
5	713198	SEAL 3/8x3/4 SOLD BY FT	47 cm	FT
6	055939	CS .250-20X0.750HXG5	3	EA
7	768515	FW 0.281SAE	3	EA
8	604279	VAPOR LINE, 3/16 FORMED	1	EA
9	604322	1/4" HOSE BARB CROSS	1	EA
10	604273	VAPOR LINE, 3/16 FORMED	1	EA
11	604292	BOOT, 3/16" TO 1/4" BARB	1	EA
12	604323	FILTER, VAPOR SYSTEM	1	EA
13	000331	WIRE TIE, SMALL/SHORT	2	EA
14	604307	MOUNT, PUSH BUTTON	2	EA
15	033035	WEATHERSTRIP .12X.75	56 cm	FT
16	601400	GM .63 x1.13 x.88 x .13	1	EA

Electrical Section



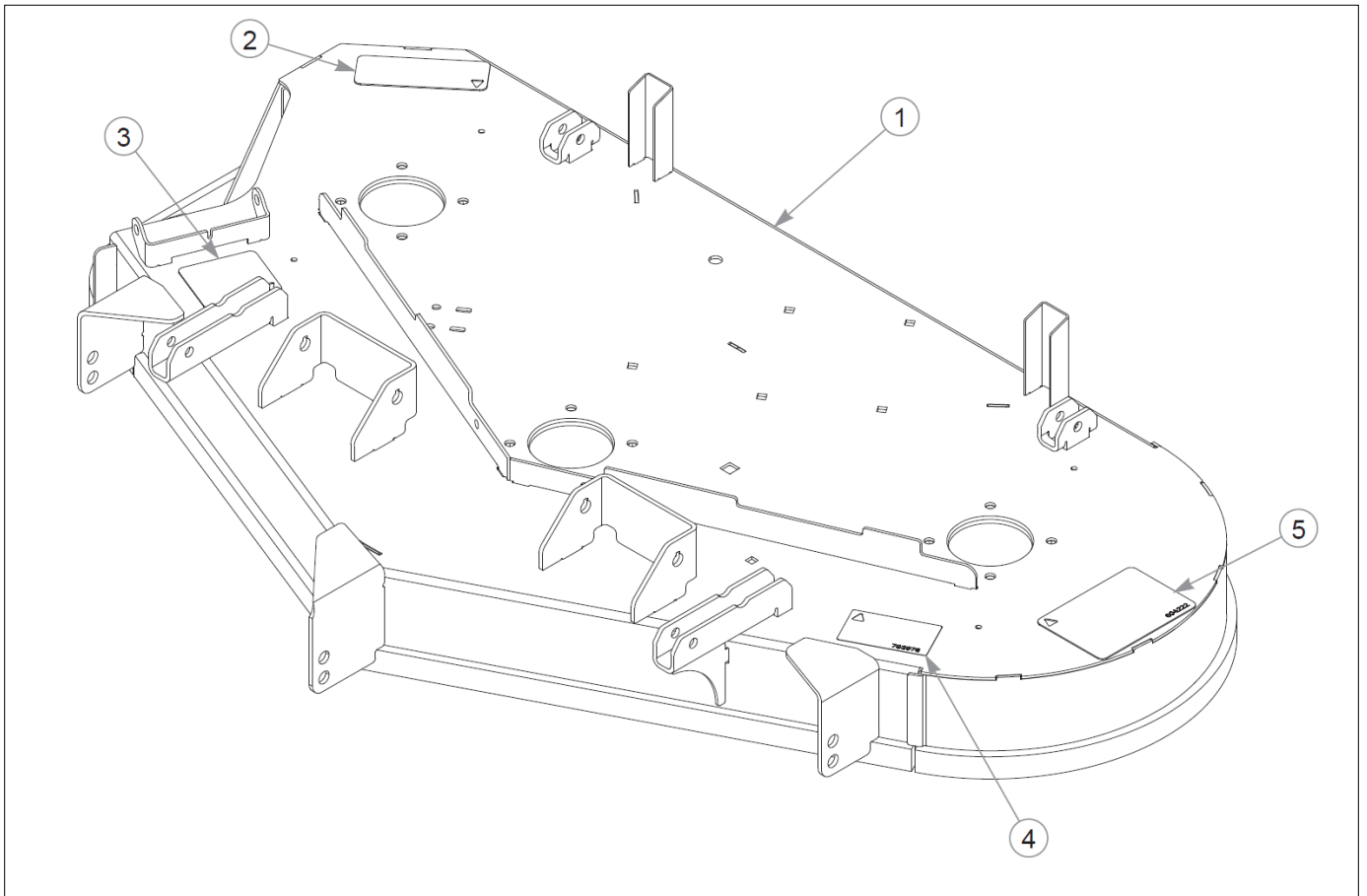
Item	Part No.	Name	Qty	Uom
1	604178	STRAP, TIE DOWN	1	EA
2	604465	CS .250-20 x 7.50 HX G5	2	EA
3	768515	FW 0.281SAE	2	EA
4	771428	BATTERY CBL BOOT-RED(FS)	1	EA
5	024927	NT .250-20HXG5	2	EA
6	029868	LW0.250INTEXT	4	EA
7	055939	CS .250-20X0.750HXG5	2	EA
8	000331	WIRE TIE, SMALL/SHORT	2	EA
9	601982	CN .250-20X .150 MAX THK	2	EA

Comments for Page: Battery

jmumford@excelii.com on May 1, 2015

1. When performing service on the mower, disconnect the negative battery cable and do not reconnect it to the battery until ready to start the engine.

Deck Section



Item	Part No.	Name	Qty	Uom
1	552267	SVC DECK DECAL 48" RSD	1	EA
2	601624	DECAL, DISCHARGE CHUTE	1	EA
3	601837	DECAL, DECK DANGERS	1	EA
4	793976	DECAL,48"DECK ID	1	EA
5	604222	DECAL, DANGER / OBJECTS	1	EA

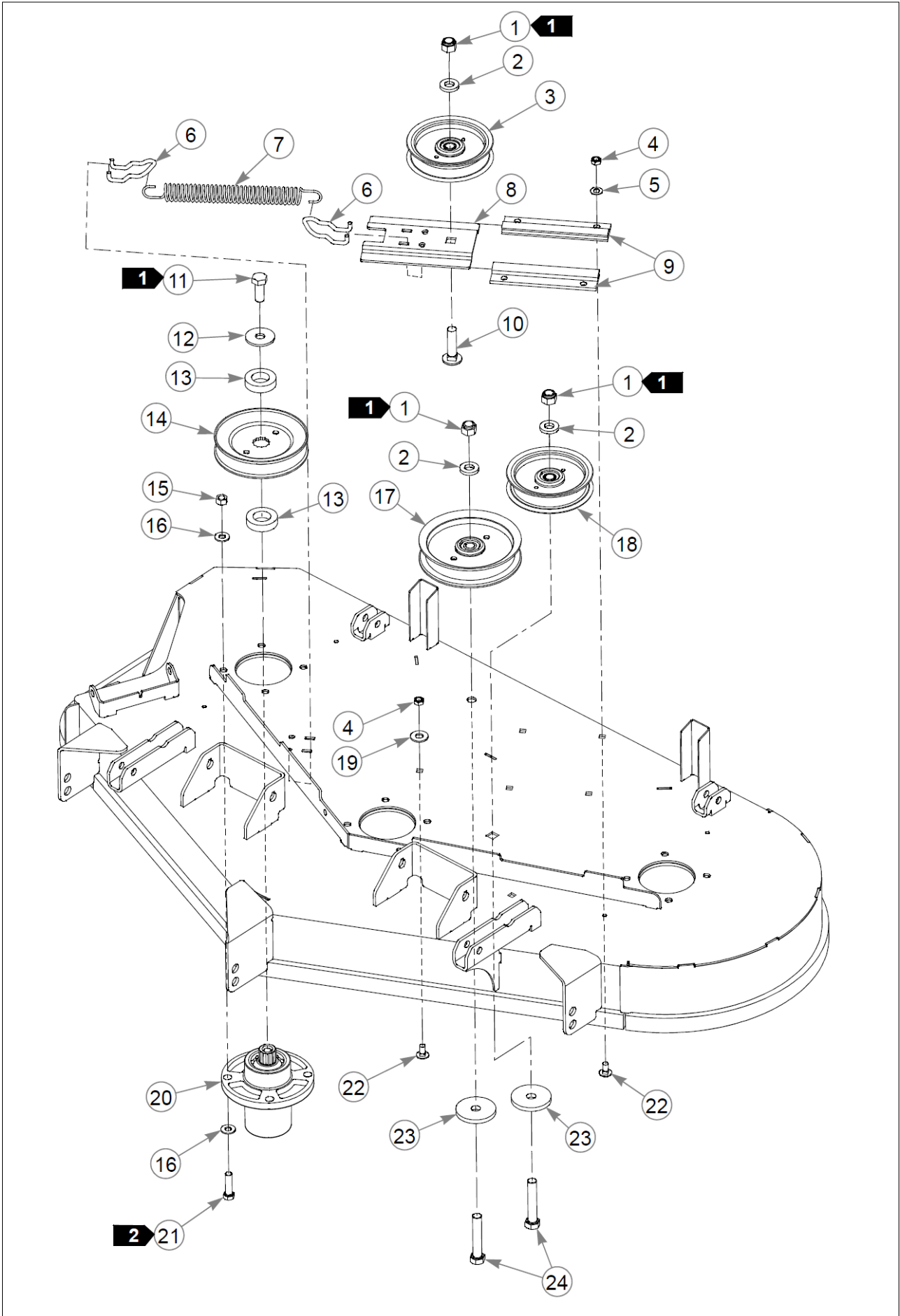
Comments for Page: Service Deck

jmumford@excelii.com on Nov 9, 2015

1. The deck includes decals.



Deck Section



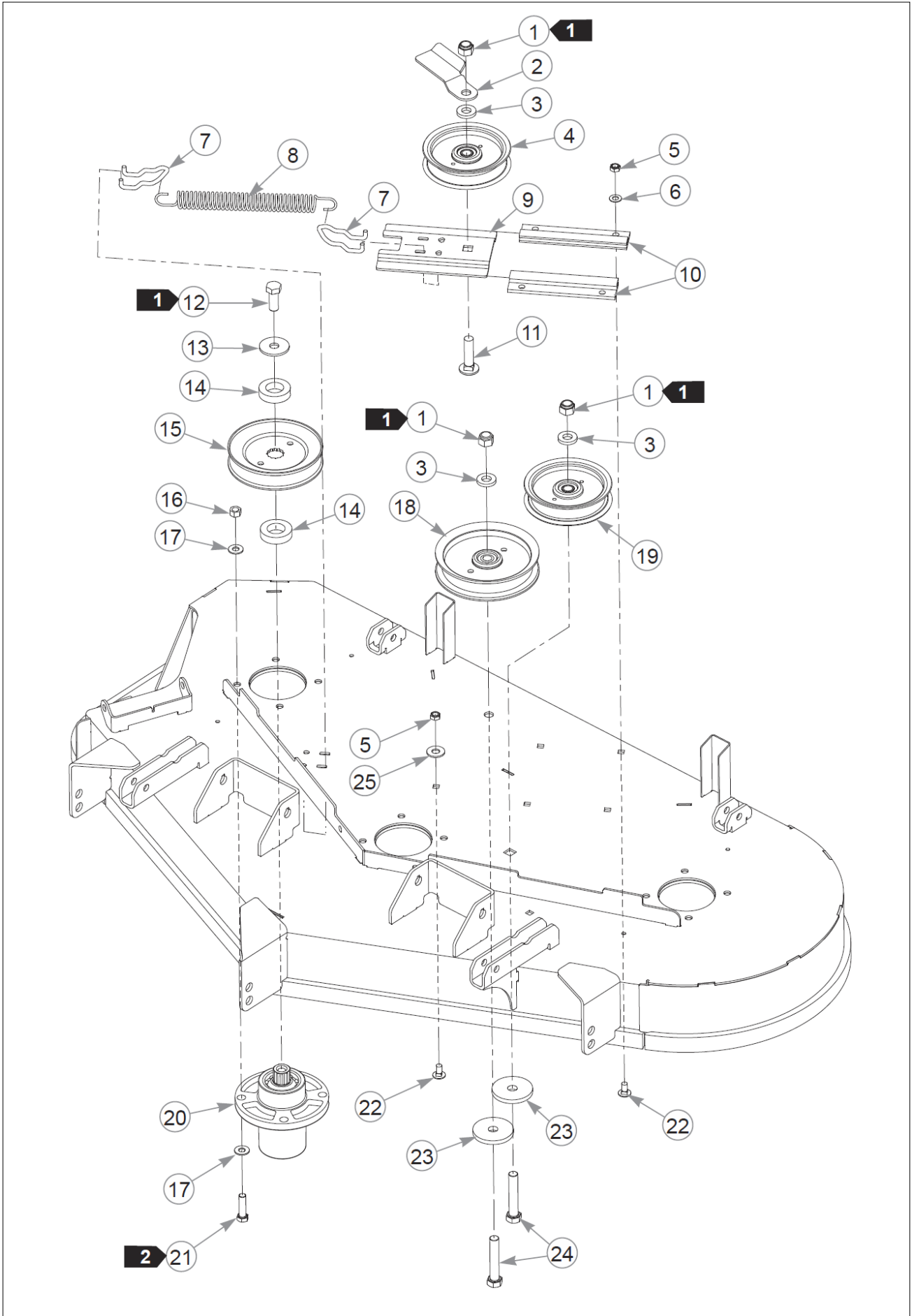
Item	Part No.	Name	Qty	Uom
1	781567	NT .500-13NLG5	3	EA
2	767962	FW .531 x 1.063 x .175	3	EA
3	603986	IDLER PULLEY, 4.00" FLAT	1	EA
4	604251	NT .312-18 HXNL JAM G2ZN	5	EA
5	604252	FW .340 X .675 X .035 ZN	4	EA
6	604110	ANCHOR, SPRING TENSIONER	2	EA
7	122388	SPRING	1	EA
8	604194	SLED, IDLER	1	EA
9	604079	IDLER SLIDE, EXTRUDED	2	EA
10	604253	CB .50-13 X 2.00 STD ZN	1	EA
11	705954	CS .500-13X1.250HSG5	3	EA
12	798603	FW .515X1.65X.125 HD ZY	3	EA
13	604661	SPACER, SPINDLE PULLEY	6	EA
14	604665	PULLEY, DECK DRIVE B-SEC	3	EA
15	054502	NT .375-16HXG5	12	EA
16	767954	FW 0.379 x 0.813 x 0.063	24	EA
17	604231	PULLEY, IDLER 5.00" O.D.	1	EA
18	604219	IDLER PULLEY, 4.00" FLAT	1	EA
19	017129	FW .440X1.000X0.083	1	EA
20	601804	SPINDLE ASSEMBLY	3	EA
21	005116	CS .375-16X1.375	12	EA
22	083147	CB .312-18X .620 G5 ZN	5	EA
23	605516	FW .531 x 2.25 x .25 ZNY	2	EA
24	721910	CS .500-13X2.750HXG5	2	EA

Comments for Page: Deck Pulleys & Spindles - S/N 15032154 & Higher

jmumford@excelii.com on May 1, 2015

1. Torque to 99 N•m.
2. Torque to 40 N•m.

Deck Section



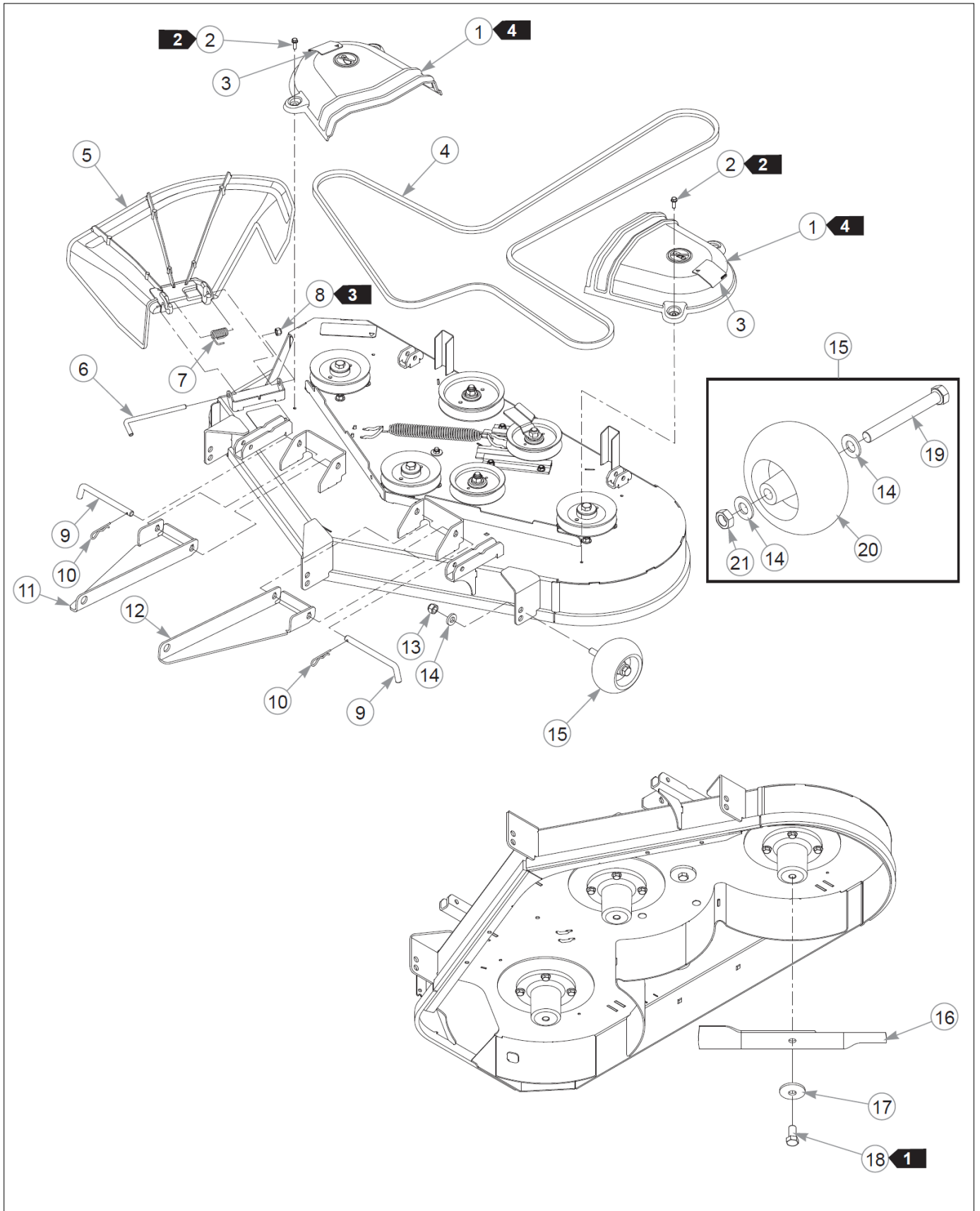
Item	Part No.	Name	Qty	Uom
1	781567	NT .500-13NLG5	3	EA
2	121780	BELT GUIDE	1	EA
3	767962	FW .531 x 1.063 x .175	3	EA
4	603986	IDLER PULLEY, 4.00" FLAT	1	EA
5	604251	NT .312-18 HXNL JAM G2ZN	5	EA
6	604252	FW .340 X .675 X .035 ZN	4	EA
7	604110	ANCHOR, SPRING TENSIONER	2	EA
8	604291	IDLER SPRING	1	EA
9	604194	SLED, IDLER	1	EA
10	604079	IDLER SLIDE, EXTRUDED	2	EA
11	604253	CB .50-13 X 2.00 STD ZN	1	EA
12	705954	CS .500-13X1.250HSG5	3	EA
13	798603	FW .515X1.65X.125 HD ZY	3	EA
14	604661	SPACER, SPINDLE PULLEY	6	EA
15	604665	PULLEY, DECK DRIVE B-SEC	3	EA
16	054502	NT .375-16HXG5	12	EA
17	767954	FW 0.379 x 0.813 x 0.063	24	EA
18	604231	PULLEY, IDLER 5.00" O.D.	1	EA
19	604219	IDLER PULLEY, 4.00" FLAT	1	EA
20	601804	SPINDLE ASSEMBLY	3	EA
21	005116	CS .375-16X1.375	12	EA
22	083147	CB .312-18X .620 G5 ZN	5	EA
23	605516	FW .531 x 2.25 x .25 ZNY	2	EA
24	721910	CS .500-13X2.750HXG5	2	EA
25	017129	FW .440X1.000X0.083	1	EA

Comments for Page: Deck Pulleys & Spindles - S/N Prior to 15032154

jmumford@excelii.com on May 1, 2015

1. Torque to 99 N•m.
2. Torque to 40 N•m.

Deck Section



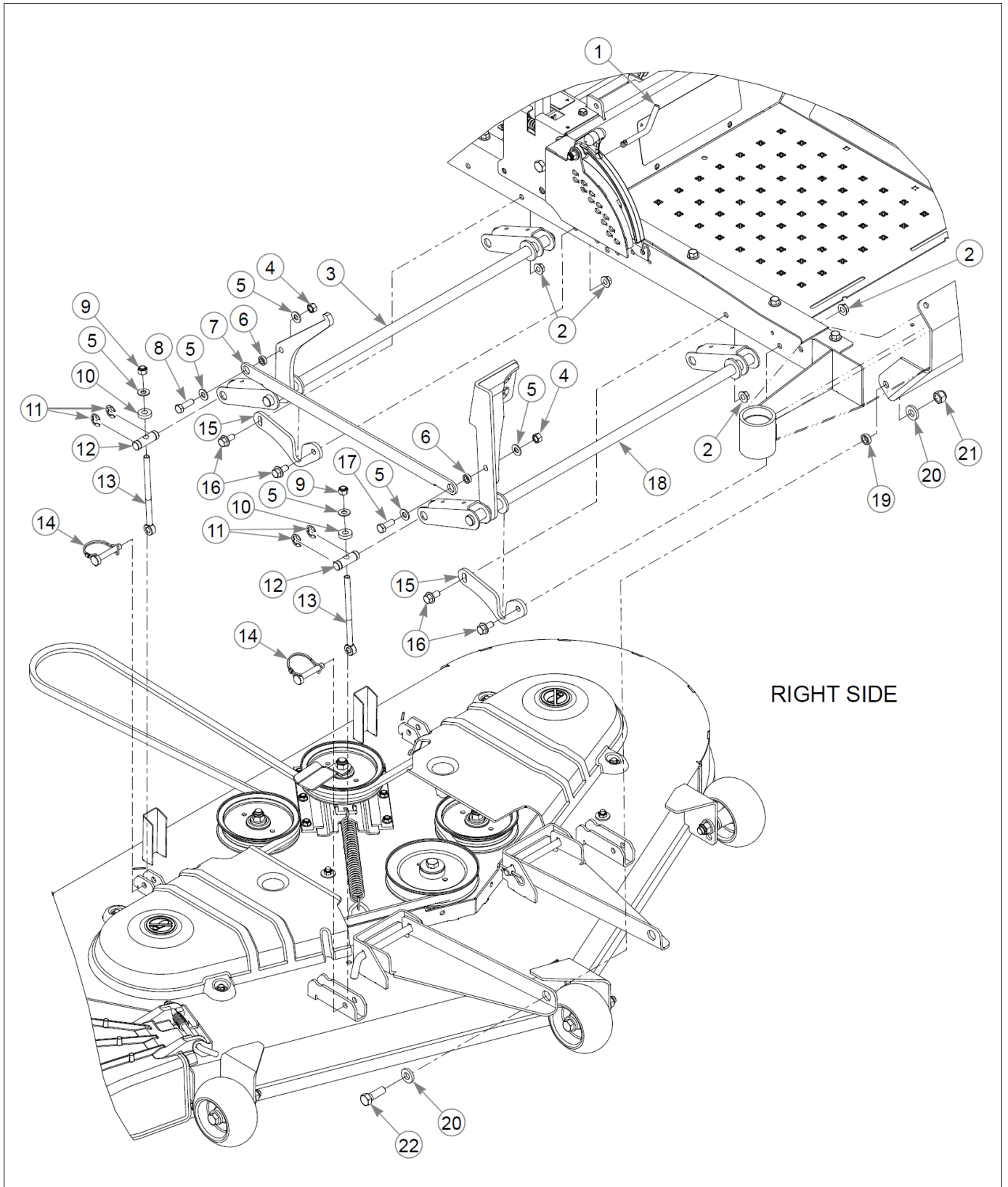
Item	Part No.	Name	Qty	Uom
1	553531	SVC PULLEY COVER	2	EA
Not Shown	552614	SVC PULLEY COVER CE LS	2	EA
Not Shown	552613	SVC PULLEY COVER CE RS	2	EA
2	604324	CS .250-20 X .75 HX FLG	4	EA
3	602562	DECAL, NO SERVICE	2	EA
4	604830	BELT, B-SECTION	1	EA
5	604609	DISCHARGE CHUTE	1	EA
6	604346	PIN, DISCHARGE CHUTE	1	EA
7	604331	CHUTE SPRING	1	EA
8	086660	NT .375-16NLG5	1	EA
9	604658	PIN, PULLER	2	EA
10	017301	HP .125 X2.375 ZN	2	EA
11	117877	PULLER, RS	1	EA
12	117878	PULLER, LS	1	EA
13	781567	NT .500-13NLG5	3	EA
14	767962	FW .531 x 1.063 x .175	5	EA
15	788166	WHEEL ASSY, ANTI SCALP	3	EA
16	601123	BLADE, 16.50"-L-F-CW	3	EA
Not Shown	795757	BLADE, F16.50"-H-F-CW	3	EA
Not Shown	796631	BLADE, 16.50"-GAT-F-CW	3	EA
Not Shown	796649	BLADE, 16.50"-CAT-F-CW	3	EA
17	782474	CW .678 X 2.250 X .187	3	EA
18	781872	CS .625-11X1.250HXG5	3	EA
19	781708	CS .500-13X4.250HXG5	1	EA
20	031997	ANTI-SCALP WHEEL	1	EA
21	053199	NT .500-13JAMG5	1	EA

Comments for Page: Deck

jmumford@excelii.com on May 1, 2015

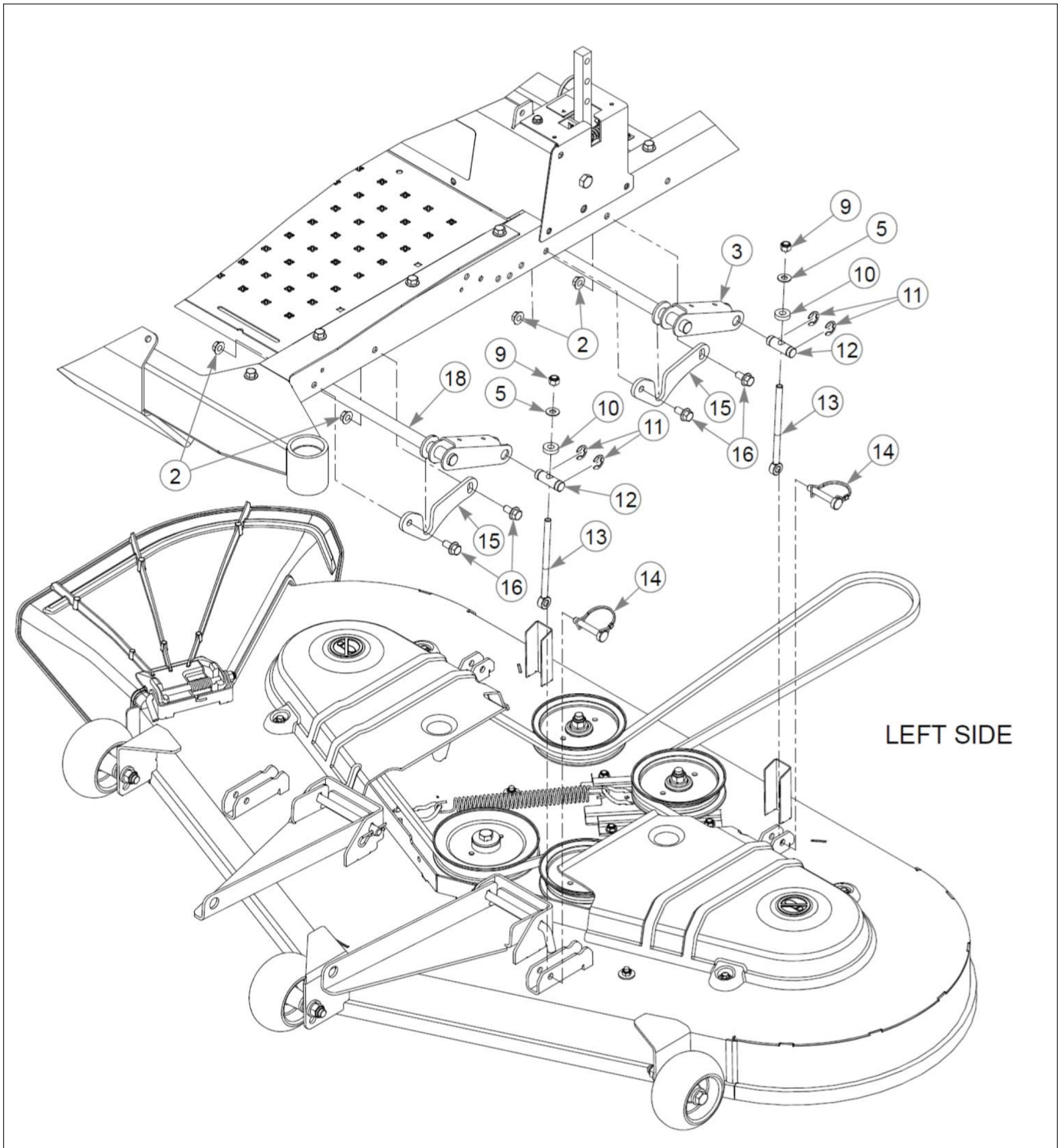
1. Torque to 160 N•m.
2. Torque to 11 N•m on these 4 self-tapping screws.
3. Do not torque; the discharge chute must pivot freely.
4. Mowers with serial numbers prior to 15081706 require kit 122697, which includes drill templates and (1) pulley cover 605867.
5. Pulley covers include decals.

Deck Section

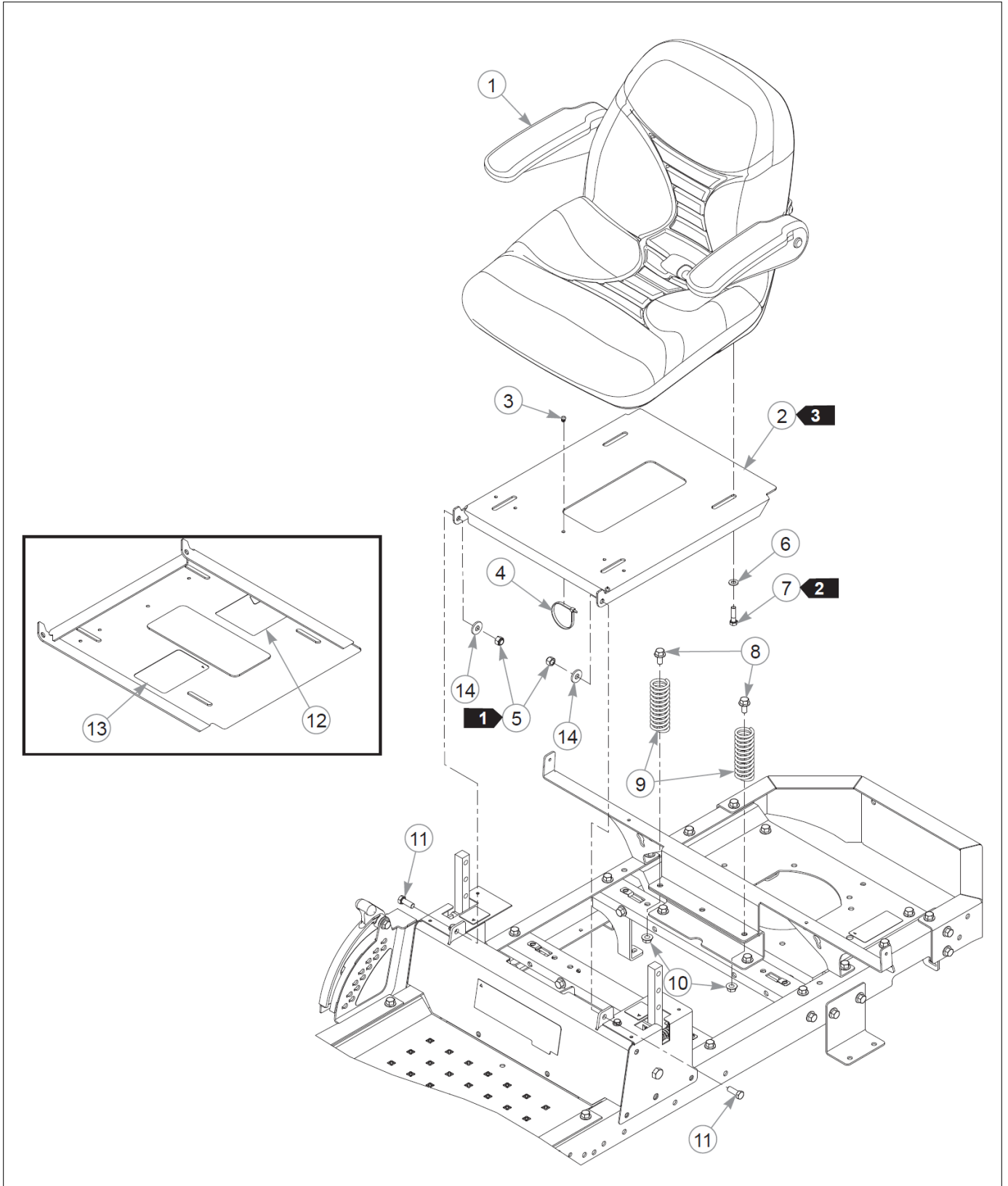




Item	Part No.	Name	Qty	Uom
1	118020	PIN, INDICATOR	1	EA
2	016899	NT .375-16 FLKG5	8	EA
3	118085	DECK LIFT W/A, REAR	1	EA
4	054502	NT .375-16HXG5	2	EA
5	767954	FW 0.379 x 0.813 x 0.063	8	EA
6	601839	PIVOT SPACER BUSHING	2	EA
7	118016	LIFT PEDAL, LINK	1	EA
8	005132	CS .375-16X1.12 HX G5 Z	1	EA
9	086660	NT .375-16NLG5	4	EA
10	605114	FW .41X.94X.25 UHMW	4	EA
11	791673	CLIP E,.625x.480x.042 Z	8	EA
12	118018	PIVOT, DECK LIFT	4	EA
13	604579	LINK, DECK LIFT	4	EA
14	604803	CE .375 x 2.00 W/BALE	4	EA
15	116151	PIVOT BLOCK, DECK LIFT	4	EA
16	029629	CS .375-16X0.750FLK	8	EA
17	036244	CS .375-16X1.000HXG5	1	EA
18	118084	DECK LIFT W/A, FRONT	1	EA
19	604656	PIVOT SPACER BUSHING	2	EA
20	767962	FW .531 x 1.063 x .175	4	EA
21	781567	NT .500-13NLG5	2	EA
22	074252	CS .500-13X1.500 HX G5	2	EA



Seat Section



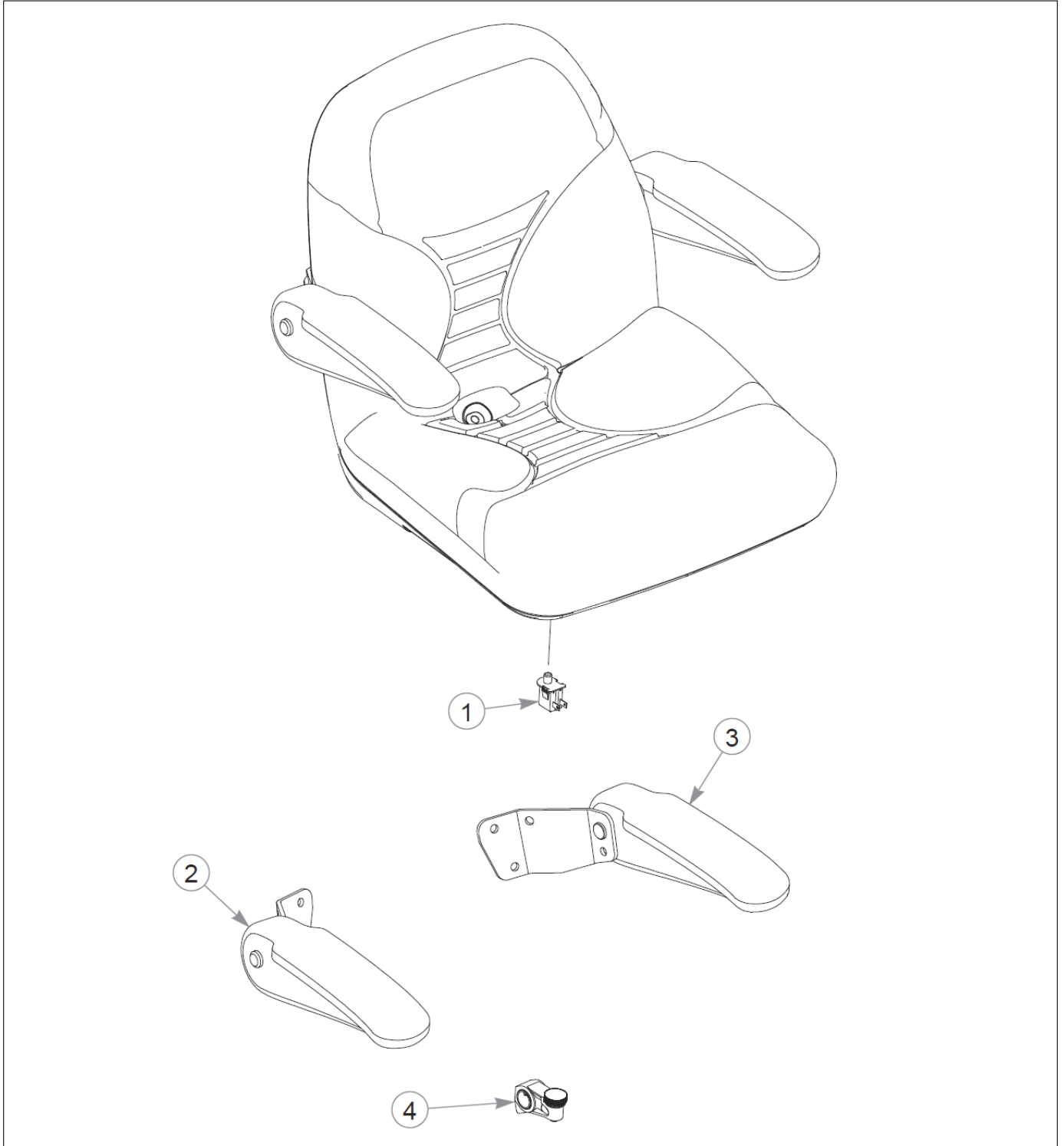
Item	Part No.	Name	Qty	Uom
1	792226	SEAT, MICHIGAN STANDARD	1	EA
2	552751	SVC, SEAT PAN	1	EA
3	604307	MOUNT, PUSH BUTTON	1	EA
4	000331	WIRE TIE, SMALL/SHORT	1	EA
5	086660	NT .375-16NLG5	2	EA
6	768523	FW 0.343SAE	4	EA
7	079186	CS .312-18X1.250HXG5	4	EA
8	029629	CS .375-16X0.750FLK	2	EA
9	793851	SPRING,COMP 1.25X4.00X.	2	EA
10	016899	NT .375-16 FLKG5	2	EA
11	036244	CS .375-16X1.000HXG5	2	EA
12	781419	DECAL, BELT ROUTING	1	EA
13	601815	DECAL, BATTERY WARNINGS	1	EA
14	712919	FW 0.406X1.000X0.120HD	2	EA

Comments for Page: Seat

jmumford@excelii.com on May 1, 2015

1. Do not torque; the seat pan must pivot freely.
2. Torque to 9.5 N•m.
3. When replacing the seat pan, order (2) washers, (item 14).
4. Seat pan (552751) includes decals.

Seat Section



Item	Part No.	Name	Qty	Uom
1	793315	SWITCH, SEAT	1	EA
2	604459	EXT. ARMREST KIT R.H.	1	EA
3	604458	EXT. ARMREST KIT L.H.	1	EA
4	793273	ARMREST,STOP ASSY	2	EA

Appendix B:Parts Index	063198	4-6
000323	068478	6-3
000331	068551	4-2, 4-5
005108	074252	8-5
005116	079186	9-1
005132	080655	4-1, 4-5
015818	083147	8-2, 8-3
016816	086660	4-1, 4-2, 4-6, 8-4, 8-5, 9-1
016899	109202	4-2
1	109203	4-2
017129	110370	4-5
017301	114052	3-2
019521	116141	4-6
024927	116142	4-6
025296	116144	4-5
029629	116151	8-5
029751	116287	4-1
029868	117059	6-4
029876	117060	6-4
030817	117877	8-4
031997	117878	8-4
033035	118016	8-5
034272	118018	8-5
036244	118020	8-5
041152	118084	8-5
043067	118085	8-5
044255	118238	6-2
045898	118284	4-2
053199	118310	4-1
054502	118538	3-1
055939	118539	3-1
1	118942	4-2
056036	120838	3-3
058776	120855	3-3
059832	121625	6-1
061077	121780	8-3
061101	122388	8-2

344267	5-1	601051	4-2
551858	3-1	601069	4-5
551861	3-1	601096	3-2
551865	3-1	601097	3-2
551868	3-1	601098	3-2
552177	4-6	601123	8-4
552217	3-1	601131	4-2
552267	8-1	601219	4-2
552300	3-2	601221	4-3, 4-4
552407	3-1	601400	6-4
552414	3-2	601624	8-1
552415	4-6	601804	8-2, 8-3
552564	3-1	601815	9-1
552565	3-1	601822	4-6
552566	3-1	601834	6-1
552567	3-1	601837	8-1
552568	3-1	601839	8-5
552569	3-1	601887	4-1
552570	3-1	601967	3-1
552613	8-4	601981	3-1
552614	8-4	601982	3-1, 3-2, 3-3, 7-1
552751	9-1	601996	4-2
552809	3-2	602041	3-1
552810	3-2	602094	4-3, 4-4
552981	3-3	602407	3-2
552982	3-3	602562	3-3, 8-4
553531	8-4	602580	6-1, 6-2
600676	5-1	602581	6-3
600692	5-3	602680	6-1, 6-2
600718	5-3	603051	6-1, 6-2
600767	4-2	603059	6-3
600970	4-3, 4-4	603332	4-5
600972	4-3, 4-4	603807	6-4
600974	4-4	603907	4-1
600975	4-3	603983	4-5
600976	4-3, 4-4	603986	8-2, 8-3
601001	4-2	604016	6-1, 6-2



604079	8-2, 8-3	604487	4-1
604110	8-2, 8-3	604490	4-1
604173	4-5	604491	4-1
604176	3-1	604579	8-5
604177	3-1	604609	8-4
604178	7-1	604656	8-5
604179	4-6	604658	8-4
604194	8-2, 8-3	604661	8-2, 8-3
604219	8-2, 8-3	604665	8-2, 8-3
604222	8-1	604666	4-5
604231	8-2, 8-3	604667	4-2
604251	8-2, 8-3	604708	4-2
604252	8-2, 8-3	604709	4-2
604253	8-2, 8-3	604712	6-2
604273	6-4	604713K	6-2
604274	6-1, 6-2	604714	4-1
604279	6-4	604803	8-5
604288	4-6	604819	4-6
604291	8-3	604830	8-4
604292	6-4	604840	4-6
604299	4-6	604876	3-2
604300	4-6	604889	3-2
604307	3-1, 6-4, 9-1	604901	4-3
604322	6-4	604902	4-4
604323	6-4	604903	4-3, 4-4
604324	3-2, 8-4	605038	5-2
604331	8-4	605039	5-2
604336	6-4	605042	5-2
604346	8-4	605114	8-5
604350	6-2	605149	4-6
604369	6-2	605448	6-2
604388	3-2	605516	8-2, 8-3
604452	4-6	605529	4-6
604458	9-2	605595	6-1
604459	9-2	605675	6-1
604463	6-1, 6-2	605777K	6-1
604465	7-1	605782	3-1

605958	6-4	785220	4-6
606105	4-6	785808	3-2
606106	4-6	786079	5-2
704932	3-2	786103	5-2
705954	5-1, 8-2, 8-3	786731	5-2
706549	4-1	787713	4-2, 4-2
710087	4-1	788166	8-4
712372	6-1	789776CE	3-1
712893	4-1	791251	6-1, 6-2
712919	9-1	791673	8-5
712976	5-1	792226	9-1
713198	6-4	793273	9-2
720516	6-1, 6-2	793315	9-2
721910	8-2, 8-3	793851	9-1
765339	4-6	793976	8-1
767954	4-1, 4-2, 4-5, 4-6, 6-1, 6-2, 8-2, 8-3, 8-5	795757	8-4
767962	8-2, 8-3, 8-4, 8-5	796631	8-4
768515	3-3, 4-2, 4-5, 4-6, 6-1, 6-2, 6-4, 7-1	796649	8-4
768523	4-1, 4-2, 4-5, 4-6, 9-1	798603	8-2, 8-3
769166	3-2		
771428	7-1		
772483	4-5		
776310	3-1		
776476	3-2		
781153	4-6		
781211	4-6		
781260	4-5		
781419	9-1		
781567	4-6, 8-2, 8-3, 8-4, 8-5		
781708	4-6, 8-4		
781872	8-4		
781922	4-5		
782474	8-4		
784223	5-1		
784603	5-1		
785139	4-6		

Appendix A:Pages Index

Battery ..... 7-1

Deck ..... 8-4

Deck Lift (Multi-Page) ..... 8-5

Deck Pulleys & Spindles - S/N 15032154 &  
Higher ..... 8-2

Deck Pulleys & Spindles - S/N Prior to  
15032154 ..... 8-3

Drive Wheel Breakdown ..... 5-3

Engine - S/N 15023236 & Higher (Multi-Page)  
6-1

Engine - S/N Prior to 15023236 (Multi-Page)  
6-2

Engine Service Parts ..... 6-3

Fenders & Instrument Panel ..... 3-2

Frame ..... 3-1

Front Tire Breakdown ..... 5-2

Fuel System ..... 6-4

General Information ..... 1

Guards ..... 3-3

Hydraulic System ..... 4-1

Seat ..... 9-1

Seat Service Parts ..... 9-2

Service Deck ..... 8-1

Steering & Brake ..... 4-5

Steering Cover Assembly ..... 4-6

Transmission Assembly (Multi-Page) ..... 4-2

Transmission Service Parts - Left Side ..... 4-4

Transmission Service Parts - Right Side ..... 4-3

Wheel & Tire ..... 5-1