

*Hustler® Raptor®
Parts Manual*



HUSTLER®
ENGINEERING PERFORMANCE™

200 South Ridge Road
Hesston, Kansas
67062

Table of Contents

General Information

Service Literature	1-1
Options Available From Your Dealer.	1-1
Using This Manual	1-1
Hardware Description Codes & Abbreviations	1-2
Standard Torques	1-2

Section 2

36" Frame	2-2
42"/52" Frame	2-4
Fenders & Instrument Panel	2-6
Battery	2-8

Section 3

Hydraulic System	3-2
Transmission Assembly	3-4
Transmission Service Parts	3-6
Steering & Brake—S/N 16025348 & Higher	3-8
Steering & Brake—S/N Prior to 16025348	3-10
Steering Cover Assembly	3-12

Section 4

Wheel & Tire—36" Mowers	4-2
Wheel & Tire—42"/52" Mowers	4-4
Front Wheel Breakdown	4-6
Drive Wheel Breakdown—36" Mowers	4-8
Drive Wheel Breakdown—42"/52" Mowers	4-9

Section 5

Engine, Kawasaki FR541V & FR600V	5-2
Engine, Kawasaki FR651V & FR691V	5-6
Engine Service Parts, Kawasaki FR541V & FR600V	5-10
Engine Service Parts, Kawasaki FR651V & FR691V	5-11
Fuel System	5-12

Section 6

36" Service Deck	6-2
36" Deck Pulleys & Spindles	6-4
36" Deck	6-6
42" Service Deck	6-8
42" Deck Pulleys & Spindles	6-10
42" Deck	6-12
36"/42" Deck Lift	6-14
52" Service Deck	6-16
52" Deck Pulleys & Spindles	6-18
52" Deck	6-20
52" Deck Lift	6-22

Section 7

Seat—With Armrests	7-2
Seat—Without Armrests	7-4
Seat Service Parts—Seats With Armrests	7-6

General Information

This manual covers Hustler® Raptor® models **931899EX, 932277EX, 933382EX, 933465EX & 934679EX.**

Service Literature

PART NO.	DESCRIPTION
604220	OPERATOR'S MANUAL
117371EX	WARRANTY STATEMENT
117373	GENERAL SERVICE MANUAL

Options Available From Your Dealer

PART NO.	DESCRIPTION
119937	36" MULCH KIT
117578	42" MULCH KIT
117581	52" MULCH KIT
333724	STEERING LEVER EXTENSION KIT
933010	2 BAG CATCHER
604436	ARM REST KIT
117703	HOUR METER KIT
799288	FLEX FORKS KIT
117682	LIGHT KIT
119818	ENGINE GUARD KIT

Note: When ordering parts, you must use the part number as shown for each part, not the index number. Always give the model and serial number to your parts and service representative.

Note: Items sold in bulk such as seals and hoses are sold by the foot.

Using This Manual

This manual is part of a service package for the Hustler® mowers. Use of this manual in conjunction with other Hustler® mower and component manuals will provide the information necessary to service and maintain Hustler® mowers.

This Parts Manual provides a complete parts listing for the unit. Use this manual when ordering parts. Illustrations used were current at the time of printing, but subsequent production changes may cause your machine to vary slightly in detail. Excel Industries, Inc. reserves the right to redesign and change the machine as deemed necessary, without notification. If a change has been made to your machine which is not reflected in this parts manual, see your authorized dealer for current information and parts.

The Service Manual is a service guide for use by Service Technicians. It provides the necessary information needed to perform normal maintenance requirements on these units.

The Operator's Manual provides fundamental operational information and operational safety that is needed when operating the mower.

The component manuals are furnished by the various manufacturers to be used for the troubleshooting and servicing of their products.

Hardware Description Codes & Abbreviations

The following codes are used throughout this parts manual. Refer to this list when ordering parts.

ABBREVIATION	DESCRIPTION	ABBREVIATION	DESCRIPTION
CB	CARRIAGE BOLT	MB	MACHINE BUSHING
CE	CLEVIS PIN	MS	MACHINE SCREW
CN	CLIP NUT	NT	NUT
CP	COTTER PIN	SC	SELF TAPPING CAP SCREW
CS	CAP SCREW	SH	SOCKET HEAD
CW	CUP WASHER	SB	SHOULDER BOLT
FDRW	FENDER WASHER	SS	SET SCREW
FW	FLAT WASHER	OD	OUTSIDE DIAMETER
HX	HEX HEAD	ID	INSIDE DIAMETER
LW	LOCK WASHER	WN	WELD NUT

Standard Torques

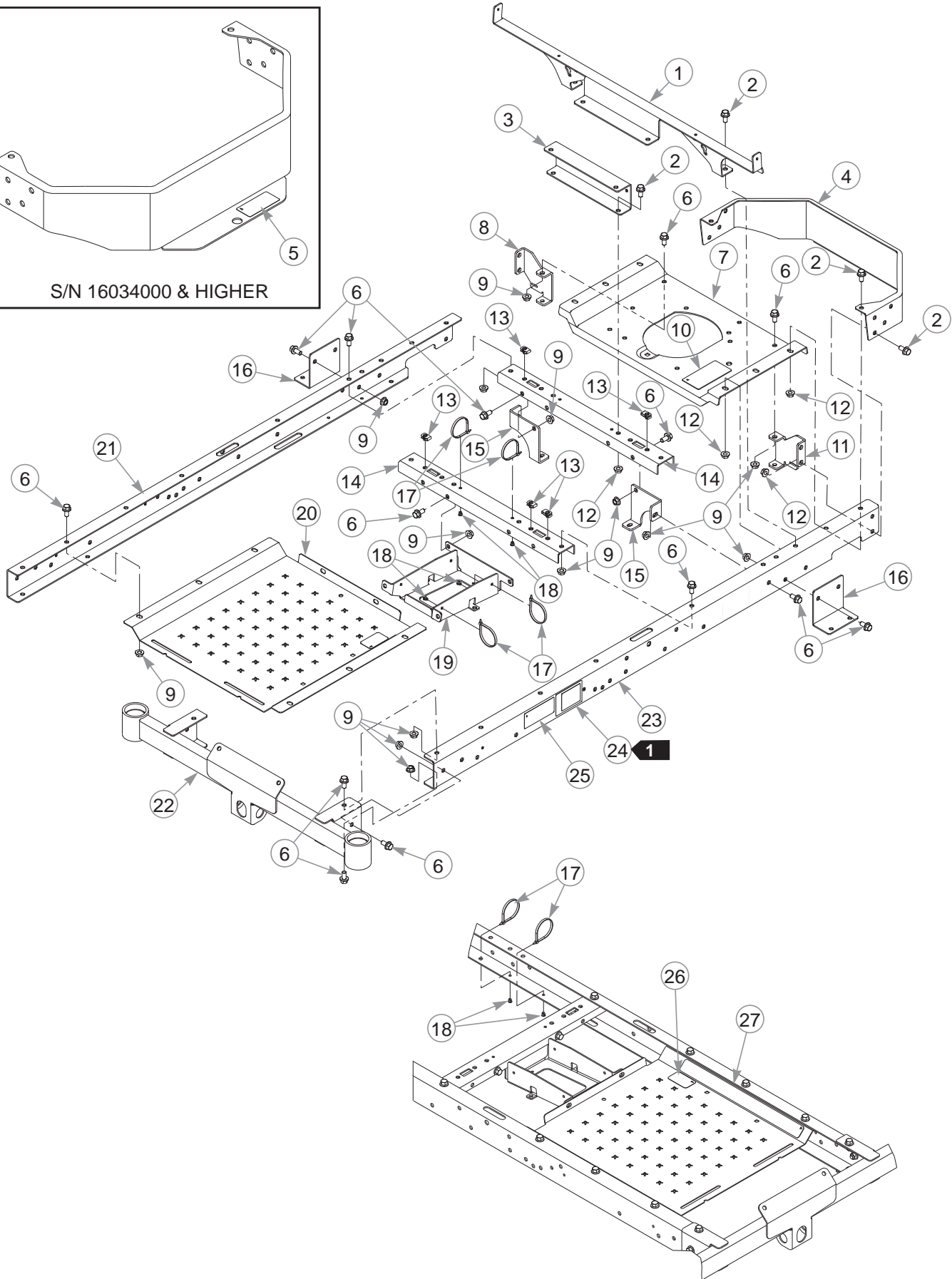
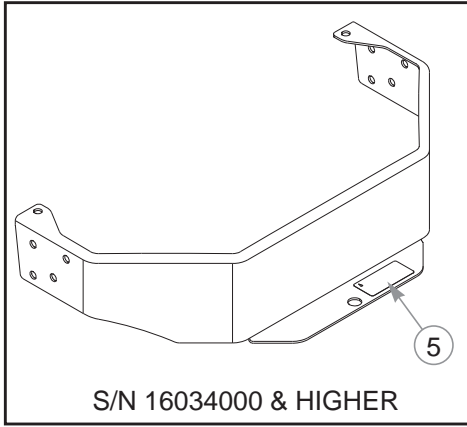
The following chart lists the standard torque values for the threaded fasteners found in this manual. Torque all cap screws, nuts and set screws to these values unless a different torque is shown in the Notes section next to the fastener.

SIZE	FT-LBS	N•M	SIZE	FT-LBS	N•M
.250	8.2	11.1	M3	1	1.3
.312	17	23	M4	2.2	3
.375	30	40	M5	4.5	6.1
.438	48	65	M6	7.7	10.4
.500	73	99	M8	18.5	25
.562	105	143	M10	37	50
.625	145	200	M12	64	87
.750	260	350	M14	80	108.5
.875	420	565	M16	160	215
1.00	625	850	M20	320	435
			M24	555	750

Section 2

36" Frame	2-2
42"/52" Frame	2-4
Fenders & Instrument Panel	2-6
Battery	2-8

36" Frame



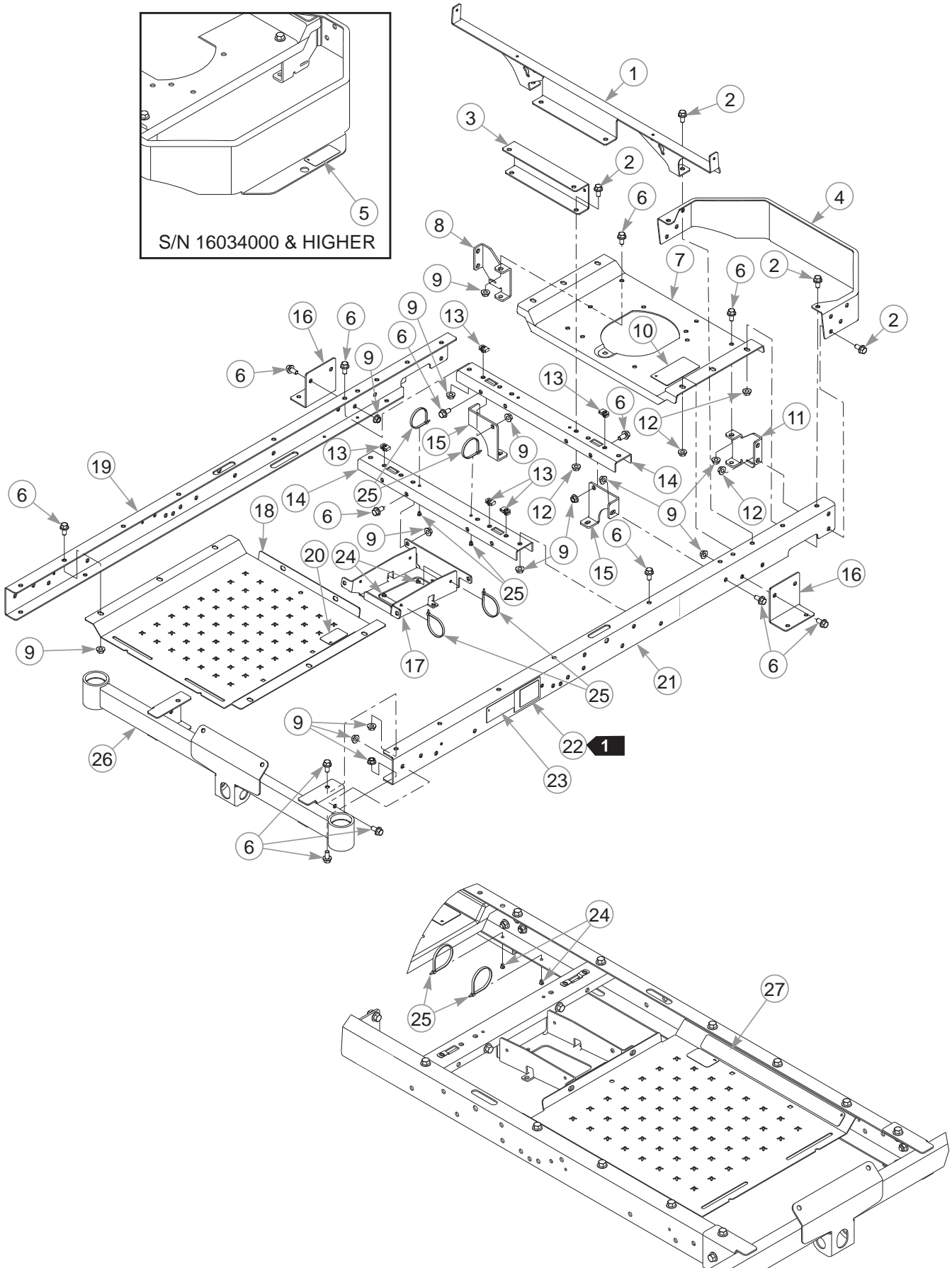
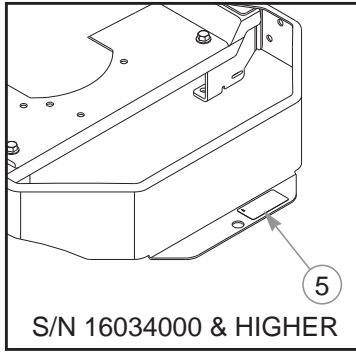
36" Frame

INDEX NO.	PART NO.	QTY.	DESCRIPTION
1	116126	1	SEAT SUPPORT
2	029629	10	CS .375-16 X .75 HX FLK
3	116127	1	SPRING SUPPORT
4	553148		BUMPER (WITH DECAL) (S/N 16034000 & HIGHER)
	551857	1	BUMPER (WITH DECAL) (S/N PRIOR TO 16034000)
5	602041	1	HOT DECAL
6	604176	30	CS .375-16 X .75 HX FLK PLN
7	551858	1	ENGINE PLATE (WITH DECAL)
8	551859	1	RS REAR BRACKET
9	604177	30	NT .375-16 HX FLK PLN
10	600899	1	PUMP BELT WARNING DECAL
11	551860	1	LS REAR BRACKET
12	016899	10	NT .375-16 HX FLK G5
13	601982	5	CN .250-20 X .15 MAX THK
14	551861	2	CROSS SUPPORT
15	551862	2	RS FRONT BRACKET
16	551863	2	HYDRO BRACKET
17	000331	6	WIRE TIE
18	604307	6	PUSH BUTTON MOUNT
19	551864	1	BATTERY TRAY
20	551865	1	FOOT PAN (WITH DECALS)
21	551866	1	RS FRAME CHANNEL
22	552704	1	FRONT CROSS FRAME
23	551868	1	LS FRAME CHANNEL (WITH DECALS)
24	N/A	1	SERIAL NUMBER / SPEC DECAL
25	601967	1	ENGINE COMPARTMENT DECAL
26	605782	1	LEVEL FUEL FILL DECAL
27	601981	1	SAFE OPERATION DECAL

NOTES:

1. Serial number decal. In the event the serial number decal becomes damaged or illegible, please contact your dealer to order a replacement.
2. Torque all hardware to a minimum of 33 ft-lbs.

42"/52" Frame



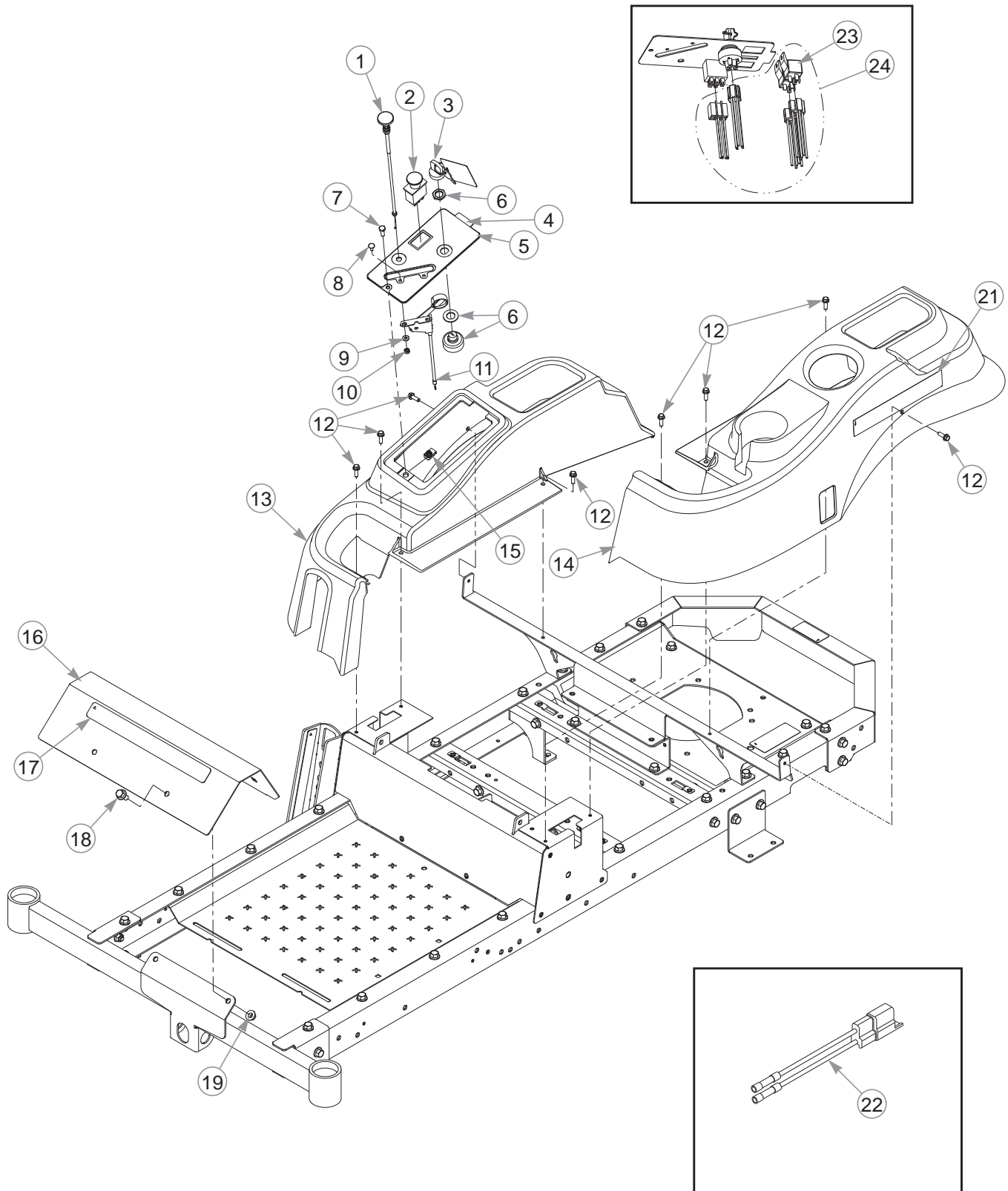
42"/52" Frame

INDEX NO.	PART NO.	QTY.	DESCRIPTION
1	116126	1	SEAT SUPPORT
2	029629	10	CS .375-16 X .75 HX FLK
3	116127	1	SPRING SUPPORT
4	553148	1	BUMPER (WITH DECAL) (S/N 16034000 & HIGHER)
	551857	1	BUMPER (WITH DECAL) (S/N PRIOR TO 16034000)
5	602041	1	HOT DECAL
6	604176	30	CS .375-16 X .75 HX FLK PLN
7	551858	1	ENGINE PLATE (WITH DECALS)
8	551859	1	RS REAR BRACKET
9	604177	30	NT .375-16 HX FLK PLN
10	600899	1	PUMP BELT WARNING DECAL
11	551860	1	LS REAR BRACKET
12	016899	10	NT .375-16 HX G5 FLK
13	601982	5	CN .250-20 X .15 MAX THK
14	551861	2	CROSS SUPPORT
15	551862	2	RS FRONT BRACKET
16	551863	2	HYDRO BRACKET
17	551864	2	BATTERY TRAY
18	551865	1	FOOT PAN (WITH DECALS)
19	551866	1	RS FRAME CHANNEL (WITH DECAL) (RAPTOR)
20	605782	1	LEVEL FUEL FILL DECAL
21	551868	1	LS FRAME CHANNEL (WITH DECALS)
22	N/A	1	SERIAL NUMBER / SPEC DECAL
23	601967	1	ENGINE COMPARTMENT DECAL
24	604307	6	PUSH BUTTON MOUNT
25	000331	6	WIRE TIE
26	551867	1	FRONT CROSS FRAME
27	601981	1	SAFE OPERATION DECAL

NOTES:

1. Serial number decal. In the event the serial number decal becomes damaged or illegible, please contact your dealer to order a replacement.
2. Torque all hardware to a minimum of 33 ft-lbs.

Fenders & Instrument Panel

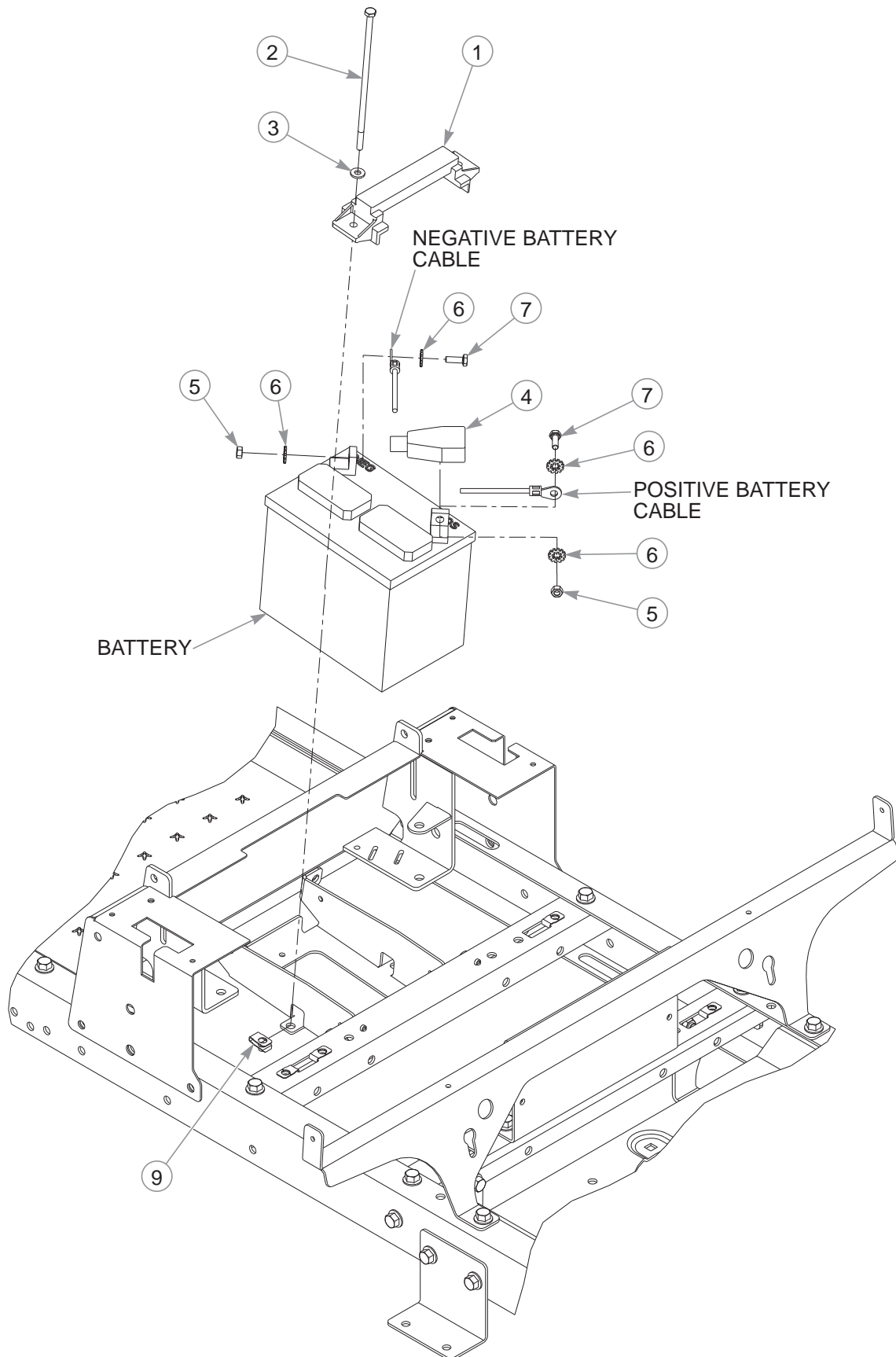


Fenders & Instrument Panel

INDEX NO.	PART NO.	QTY.	DESCRIPTION
1	601097	1	CHOKE CABLE
2	776476	1	PTO SWITCH
3	785808	1	KEY ASSEMBLY
4	551898	1	INSTRUMENT PANEL (WITH DECAL)
5	604196	1	INSTRUMENT PANEL DECAL
6	045898	1	IGNITION SWITCH
7	055939	1	CS .250-20 X .75 HX G5
8	601098	2	CB 10-24 X .500 ZYNC
9	704932	2	FW .219 X .500 X .048 ZNYC
10	059832	2	NT #10-24 HX NL ZN
11	601096	1	THROTTLE CABLE
12	604324	8	CS .250-20 X .75 HX FLG
13	552809	1	RS FENDER (WITH DECAL)
14	552810	1	LS FENDER (WITH DECAL)
15	601982	1	CN .250-20 X .15 MAX THK
16	116162	1	FOOTREST
17	602407	1	HUSTLER ID DECAL
18	029629	2	CS .375-16 X .75 HX FLK
19	016899	2	NT .375-16 HX FLK G5
20	000331	2	WIRE TIE (NOT SHOWN)
21	604388	2	RAPTOR DECAL
22	114052	1	CLUTCH CONNECTOR REPAIR KIT
23	601053	2	SEALED RELAY (WITH BRACKET)
24	604876	1	WIRE HARNESS

NOTES:

Battery



Battery

INDEX NO.	PART NO.	QTY.	DESCRIPTION
1	604178	1	TIE DOWN STRAP
2	604465	2	CS .250-20 X 7.50 HX G5
3	768515	2	FW .281 X .625 X .066
4	771428	1	RED BATTERY CABLE BOOT
5	024927	2	NT .250-20 HX G5
6	029868	4	LW .250 INT-EXT TOOTH Z
7	055939	2	CS .250-20 X .75 HX G5
8	000331	2	WIRE TIE (NOT SHOWN)
9	601982	2	CN .250-20 X .15 MAX THK

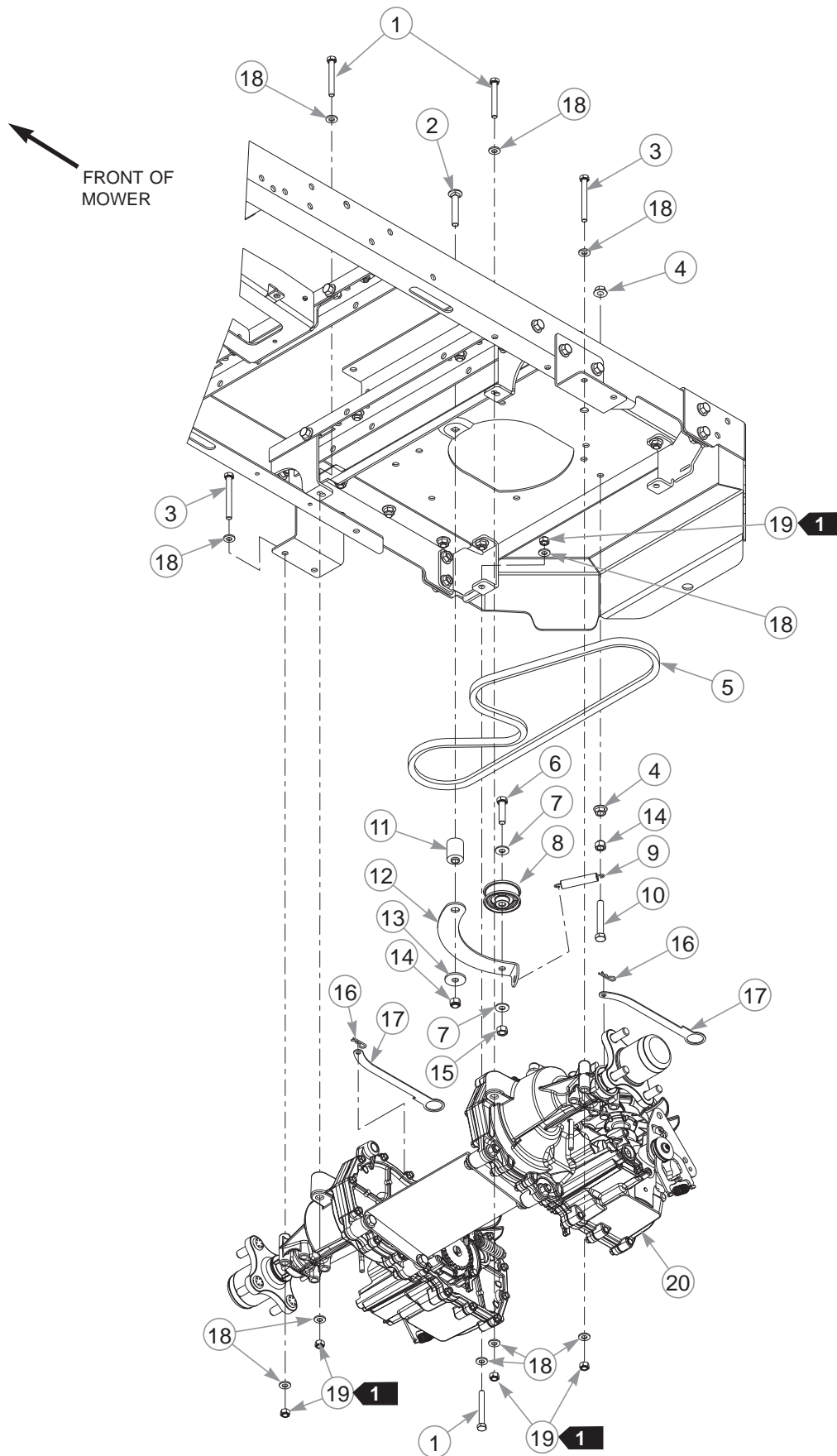
NOTES:

1. When performing service on the mower, disconnect the negative battery cable and do not reconnect it to the battery until ready to start the engine.

Section 3

Hydraulic System	3-2
Transmission Assembly	3-4
Transmission Service Parts	3-6
Steering & Brake—S/N 16025348 & Higher	3-8
Steering & Brake—S/N Prior to 16025348	3-10
Steering Cover Assembly	3-12

Hydraulic System



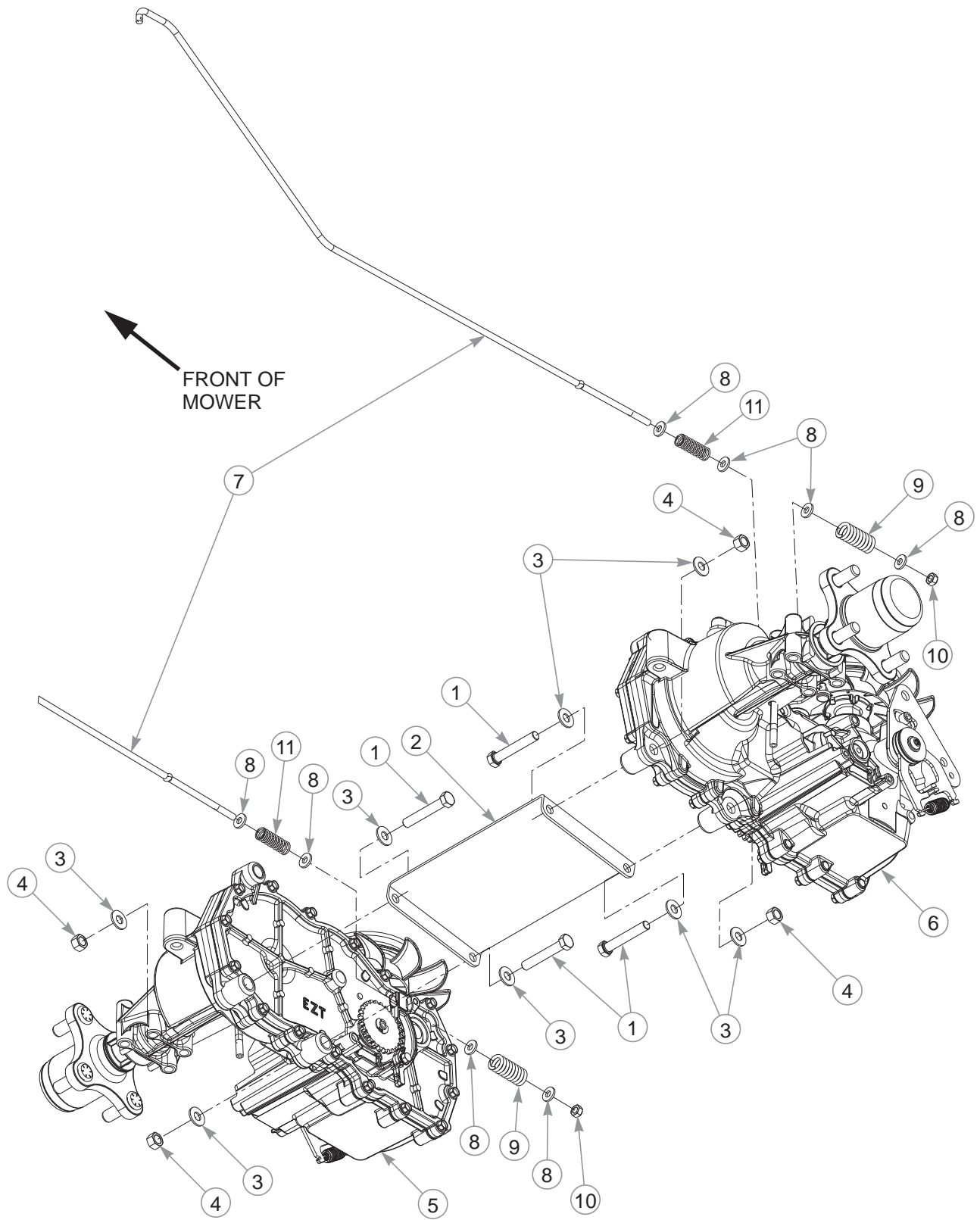
Hydraulic System

INDEX NO.	PART NO.	QTY.	DESCRIPTION
1	710087	4	CS .312-18 X 2.50 HX G5
2	604343	1	CB .375-16 X 2.25 STD ZN
3	043067	4	CS .312-18 X 3.00 HX G5 Z
4	016899	2	NT .375-16 HX FLK G5
5	603907	1	DRIVE BELT
6	080655	1	CS .375-16 X 1.50 HX G5
7	767954	2	FW .379 X .813 X .063
8	604491	1	PULLEY 2.0" IDLER
9	604490	1	SPRING
10	604487	1	CS .375-16 X 2.5 FULTH
11	116289	1	IDLER SPACER
12	116287	1	IDLER ARM
13	712893	1	FW .406 X 1.25 X .12 HRD Z
14	086660	2	NT .375-16 HX G5 ZY NL
15	054502	1	NT .375-16 HX G5 ZNY
16	706549	2	HP .080D X 1.19
17	116218	2	TOW VALVE LINK
18	768523	16	FW .343 X .687 X .051/.080H
19	058776	8	NT .312-18 NL G5
20	N/A	1	TRANSMISSION ASSEMBLY

NOTES:

1. Torque to 17 ft-lbs.

Transmission Assembly

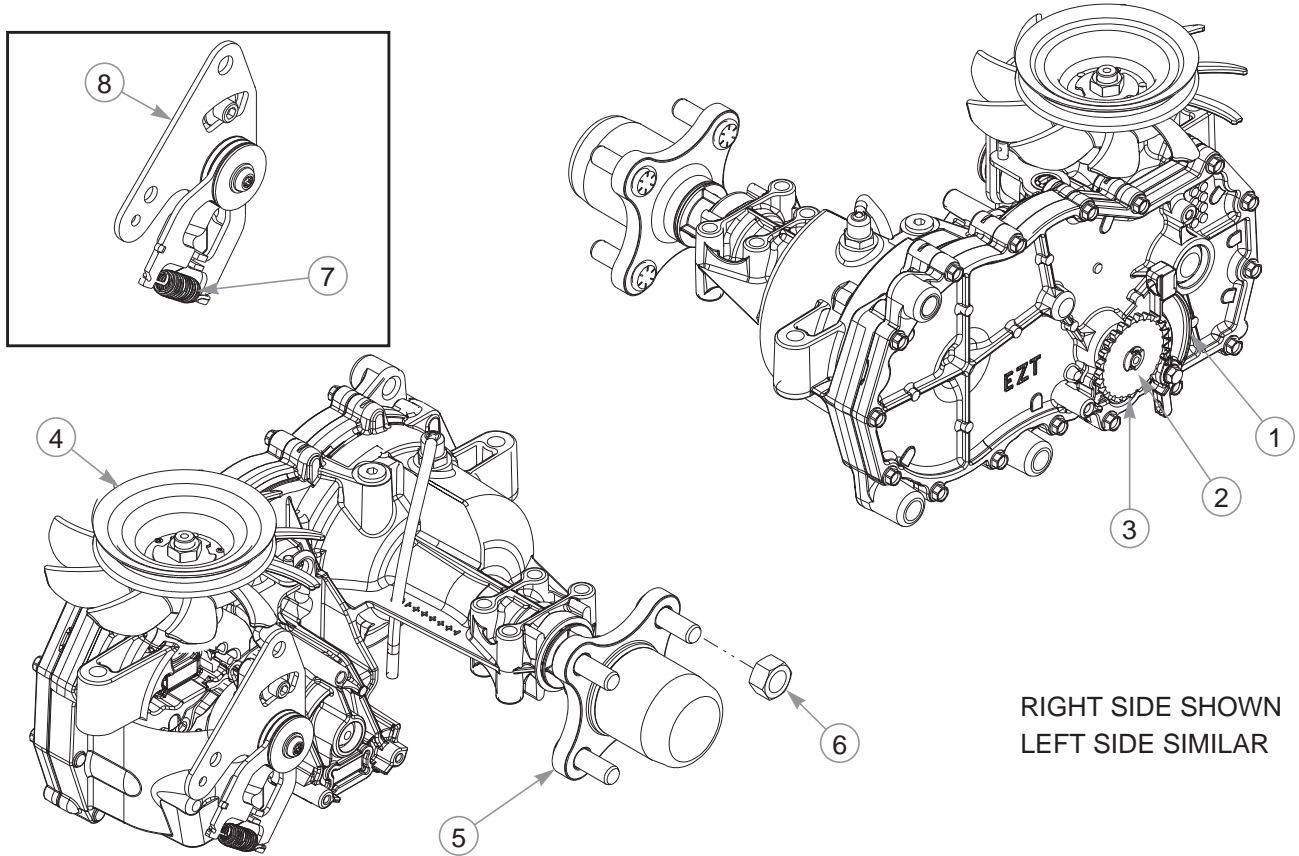


Transmission Assembly

INDEX NO.	PART NO.	QTY.	DESCRIPTION
1	056036	4	CS .375-16 X 2.25 HX G5
2	110042	1	HYDROSTAT CROSS BRACE
3	767954	8	FW .379 X .813 X .063
4	054502	4	NT .375-16 HX G5 ZNY
5	604127	1	RS TRANSMISSION
6	604128	1	LS TRANSMISSION
7	116143	2	ACTUATOR
8	768515	8	FW .281 X .625 X .066
9	601051	2	OVERTRAVEL SPRING
10	068551	2	NT .250-20 HX ZY NL
11	601131	2	SPRING

NOTES:

Transmission Service Parts



604127 RIGHT SIDE TRANSMISSION

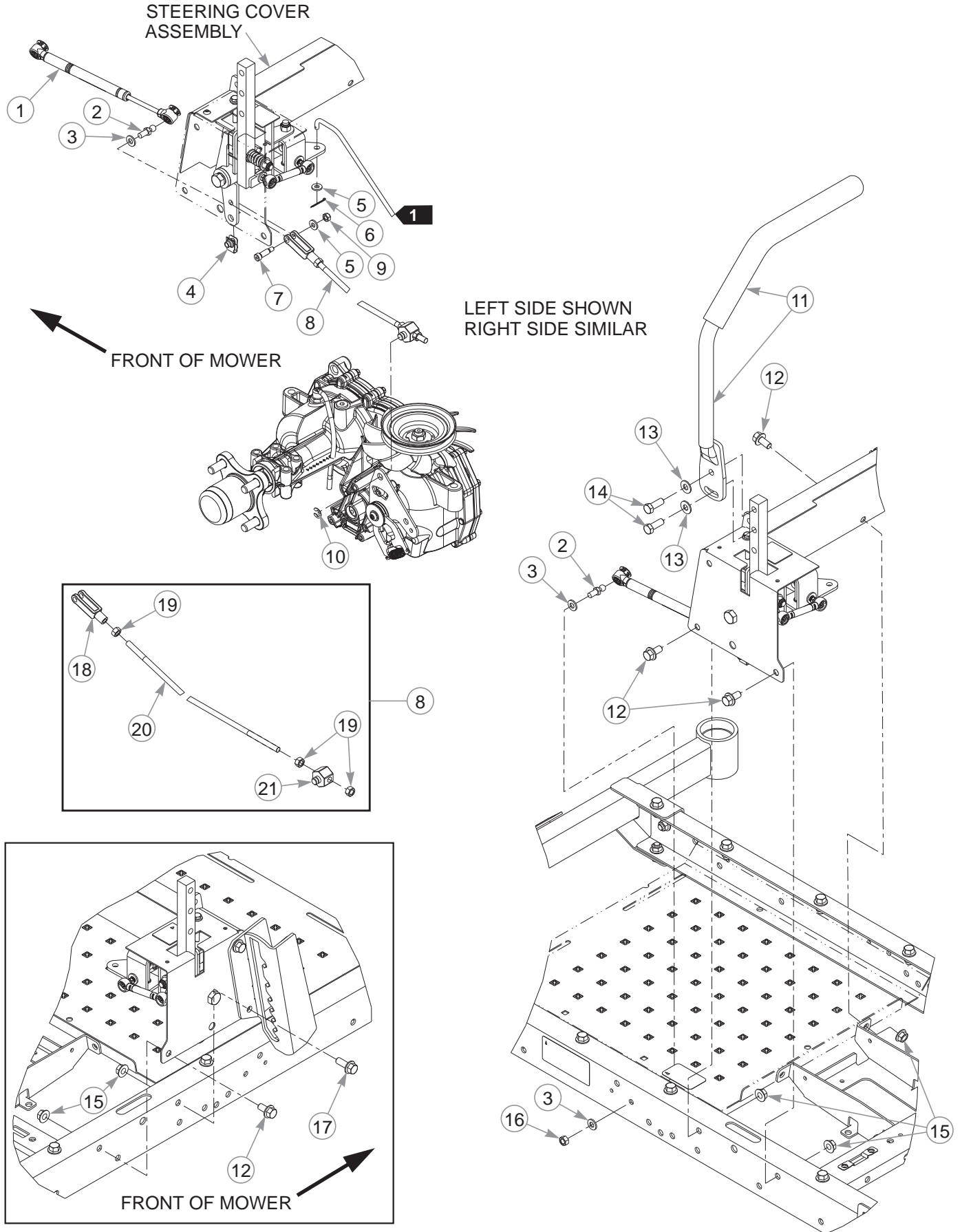
INDEX NO.	PART NO.	QTY.	DESCRIPTION
1	795047	1	PARKING PAWL KIT
2	798371	1	RETAINING RING
3	798363	1	PARK BRAKE GEAR
4	602094	1	FAN/PULLEY KIT
5	601433	1	4 BOLT HUB KIT (WITH NUT)
6	788877	1	HUB NUT
7	604903	1	HG RTN SPRING
8	604901	1	HG RTN CW

604128 LEFT SIDE TRANSMISSION

INDEX NO.	PART NO.	QTY.	DESCRIPTION
1	795047	1	PARKING PAWL KIT
2	798371	1	RETAINING RING
3	798363	1	PARK BRAKE GEAR
4	602094	1	FAN/PULLEY KIT
5	601433	1	4 BOLT HUB KIT (WITH NUT)
6	788877	1	HUB NUT
7	604903	1	HG RTN SPRING
8	604902	1	HG RTN CCW

This page intentionally left blank.

Steering & Brake—S/N 16025348 & Higher



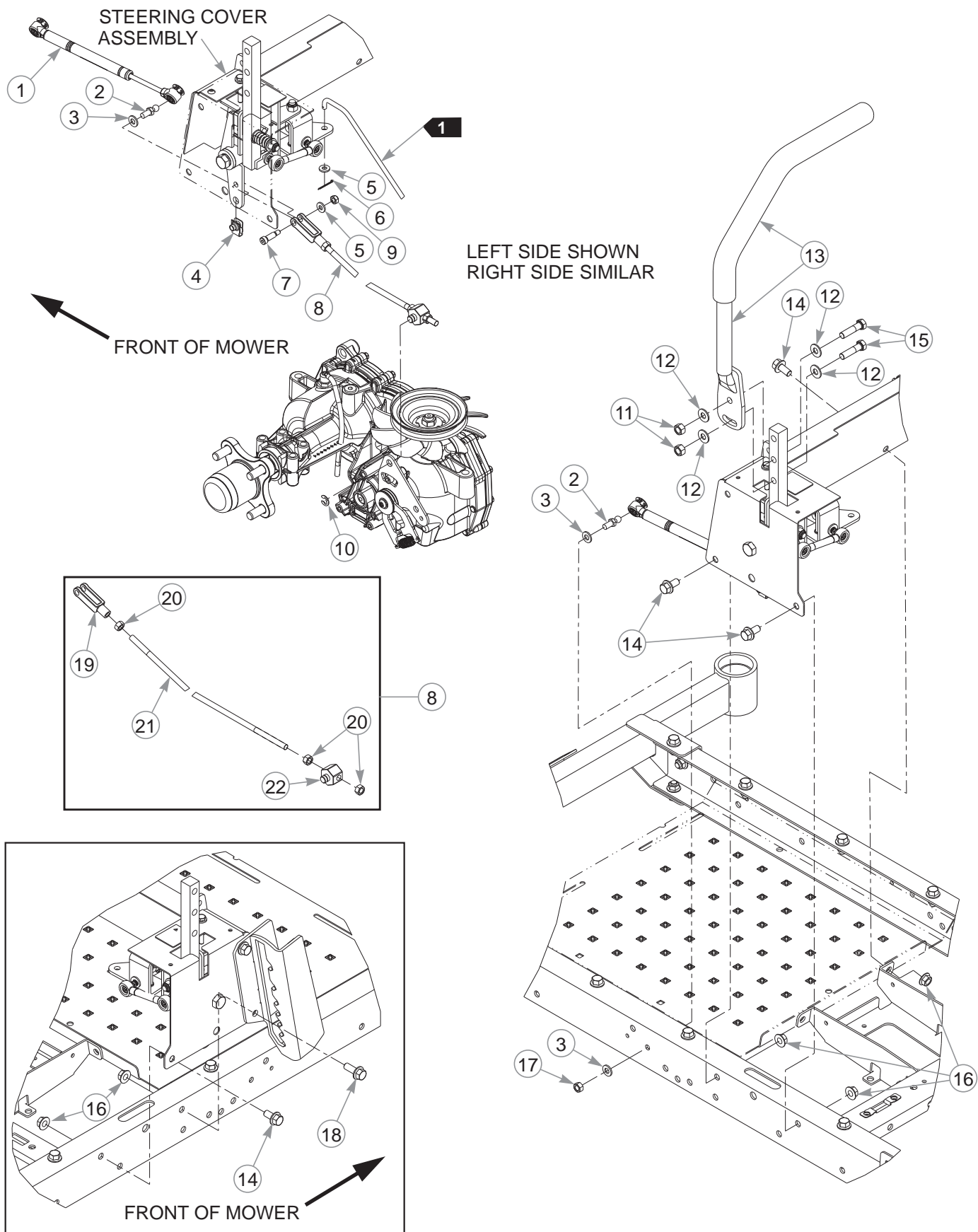
Steering & Brake—S/N 16025348 & Higher

INDEX NO.	PART NO.	QTY.	DESCRIPTION
1	603983	2	DAMPER
2	781922	4	BALL STUD
3	768523	6	FW .343 X .687 X .051/.080H
4	601069	2	CN .312-18 X .20 MAX THK
5	768515	4	FW .281 X .625 X .066
6	048553	2	CP .062D X 1.00 LG HML Z
7	772483	2	SB .312 X .75 SH .250-20
8	605273	2	STEERING ROD ASSEMBLY
9	068551	2	NT .250-20 HX ZY NL
10	603332	2	CLIP
11	110370	2	STEERING BAR (WITH GRIP)
	781260	1	STEERING BAR GRIP
12	029629	5	CS .375-16 X .75 HX G5 FLK
13	767954	4	FW .379 X .813 X .063
14	036244	4	CS .375-15 X 1.00 HX G5
15	016899	6	NT .375-16 HX G5 FLK
16	034272	2	NT .312-18 HX G5
17	029751	1	CS .375-16 X 1.00 HX FLK
18	604173	2	YOKE, 5/16-24
19	041152	6	NT .312-24 HX ZNYC
20	603905	2	STEERING ROD
21	116144	2	STEERING BUSHING

NOTES:

1. Part of the Transmission sub-assembly.

Steering & Brake—S/N Prior to 16025348



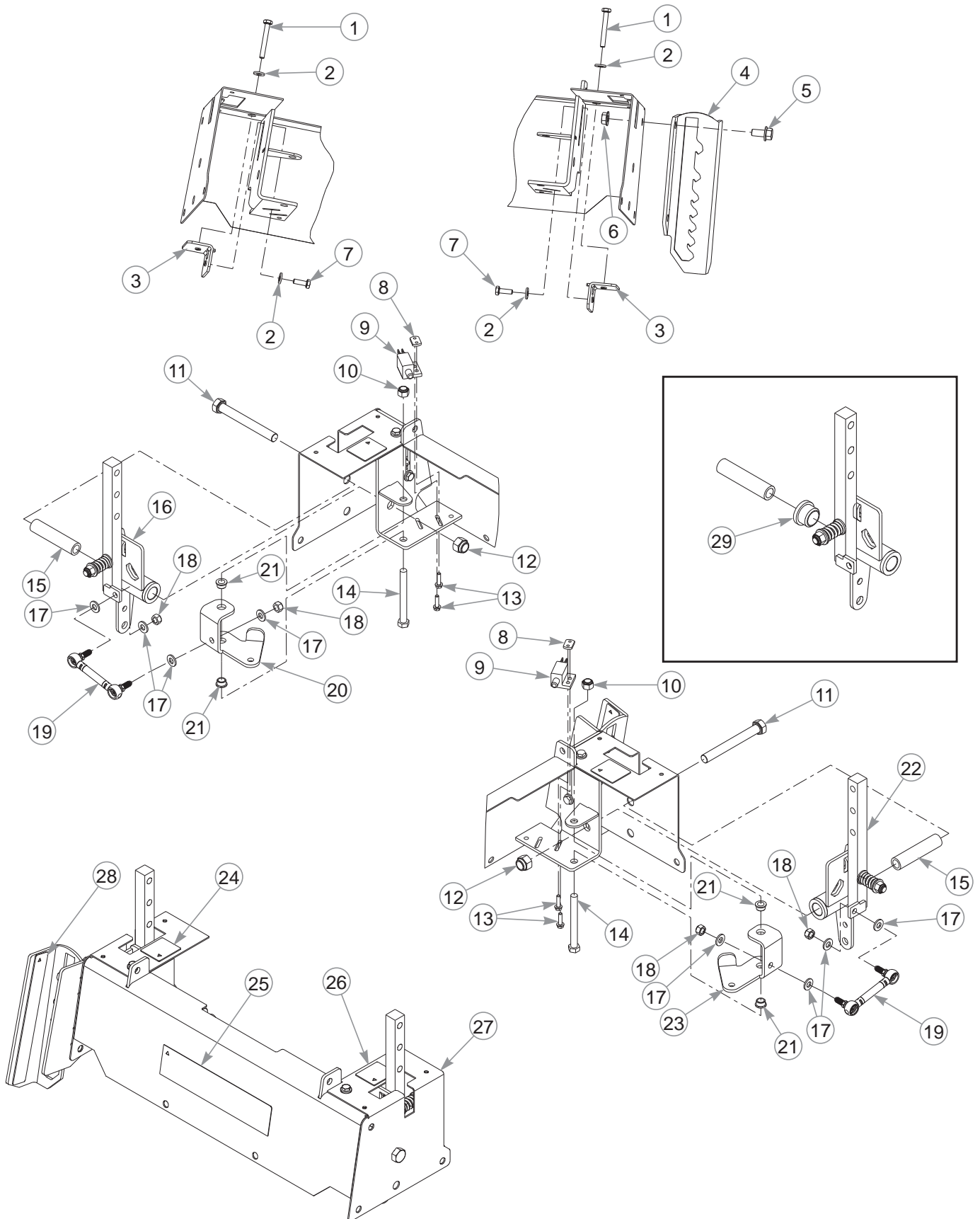
Steering & Brake—S/N Prior to 16025348

INDEX NO.	PART NO.	QTY.	DESCRIPTION
1	603983	2	DAMPER
2	781922	4	BALL STUD
3	768523	6	FW .343 X .687 X .051/.080H
4	601069	2	CN .312-18 X .20 MAX THK
5	768515	4	FW .281 X .625 X .066
6	048553	2	CP .062D X 1.00 LG HML Z
7	772483	2	SB .312 X .75 SH .250-20
8	605273	2	STEERING ROD ASSEMBLY
9	068551	2	NT .250-20 HX ZY NL
10	603332	2	CLIP
11	054502	4	NT.375-16 HX G5
12	767954	8	FW .379 X .813 X .063
13	110370	2	STEERING BAR (WITH GRIP)
	781260	1	STEERING BAR GRIP
14	029629	5	CS .375-16 X .75 HX G5 FLK
15	080655	4	CS .375-16 X 1.50 HX G5
16	016899	6	NT .375-16 HX G5 FLK
17	034272	2	NT .312-18 HX G5
18	029751	1	CS .375-16 X 1.00 HX FLK
19	604173	2	YOKE, 5/16-24
20	041152	6	NT .312-24 HX ZNYC
21	603905	2	STEERING ROD
22	116144	2	STEERING BUSHING

NOTES:

1. Part of the Transmission Assembly.

Steering Cover Assembly



Steering Cover Assembly

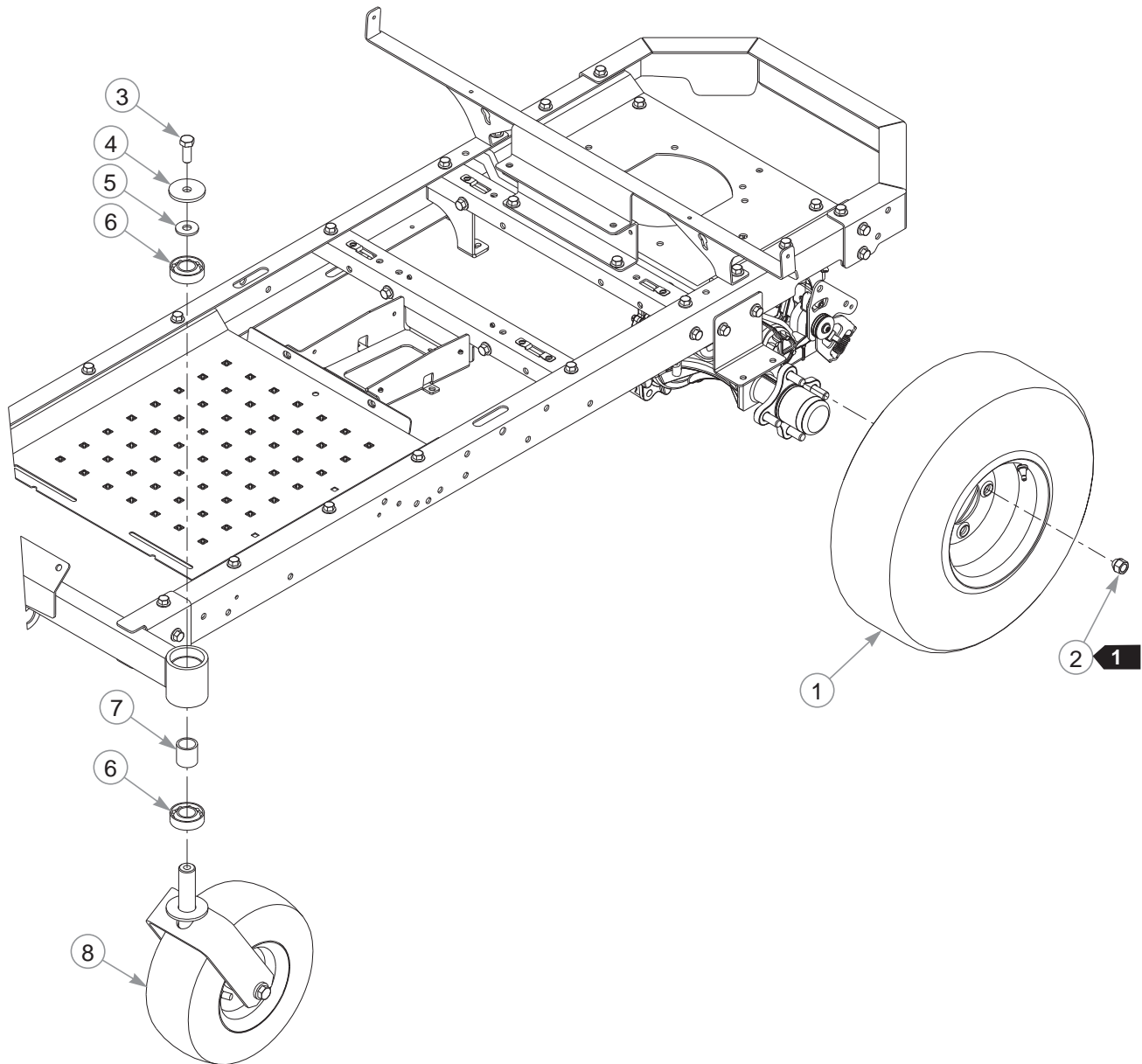
INDEX NO.	PART NO.	QTY.	DESCRIPTION
1	604452	2	CS .250-20 X 2.00 HX FLTHD
2	768515	4	FW .281 X .625 X .066
3	605529	2	DRIVE STRAIGHT STOP
4	551912	1	LATCH (WITH DECAL)
5	029629	1	CS .375-16 X .75 HX FLK
6	016899	1	NT .375-16 HX FLK G5
7	055939	2	CS .250-20 X .75 HX G5
8	601822	2	NUT PLATE .420 CENTERS
9	781211	2	PUSH BUTTON SWITCH
10	086660	2	NT .375-16 HX G5 ZY NL
11	781708	2	CS .500-13 X 4.25 HX G5
12	781567	2	NT .500-13 HX G8 ZY NL
13	063198	4	CS 10-24 X .75 HX FLK ZN
14	005108	2	CS .375-16 X 3.50 HX G5 Z
15	604288	2	STEERING SPACER
16	606106	1	LS STEERING BOX (S/N 16025348 & HIGHER)
	604300	1	LS STEERING BOX (S/N PRIOR TO 16025348)
17	768523	8	FW .343 X .687 X .051/.080H
18	058776	4	NT .312-18 HX NL G5
19	604179	2	BRAKE ROD
20	116142	1	LS BRAKE BELLCRANK
21	765339	4	BUSHING
22	606105	1	RS STEERING BOX (S/N 16025348 & HIGHER)
	604299	1	RS STEERING BOX (S/N PRIOR TO 16025348)
23	116141	1	RS BRAKE BELLCRANK
24	785220	1	RS STEERING DECAL
25	604195	1	RAPTOR ID DECAL
26	785139	1	LS STEERING DECAL
27	551698	1	STEERING COVER (WITH DECALS)
28	604275	1	DECK HEIGHT DECAL
29	781153	2	BUSHING

NOTES:

Section 4

Wheel & Tire—36" Mowers	4-2
Wheel & Tire—42"/52" Mowers	4-4
Front Wheel Breakdown	4-6
Drive Wheel Breakdown—36" Mowers	4-8
Drive Wheel Breakdown—42"/52" Mowers	4-9

Wheel & Tire—36" Mowers



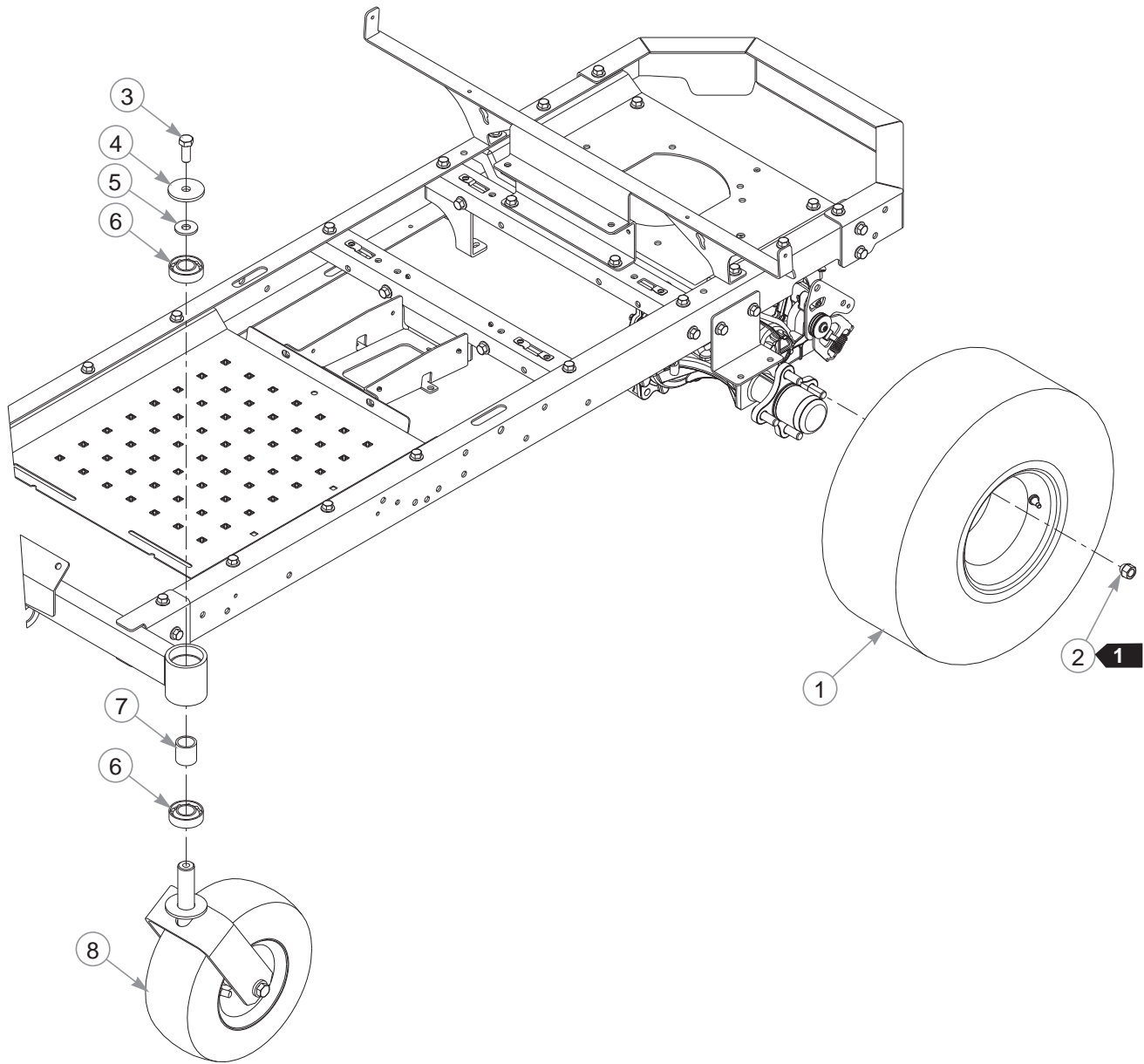
Wheel & Tire—36" Mowers

INDEX NO.	PART NO.	QTY.	DESCRIPTION
1	605261	2	TIRE/WHEEL ASSEMBLY
2	061077	8	WHEEL NUT
3	705954	2	CS .500-13 X 1.25 HX G5
4	344267	2	FW .510 X 2.15 X .187 SPL
5	712976	2	FW .531 X 1.375 X .125
6	784223	4	BEARING
7	784603	2	SPACER
8	N/A	1	FRONT WHEEL SUB-ASSEMBLY

NOTES:

1. Torque to 65–75 ft-lbs.

Wheel & Tire—42"/52" Mowers



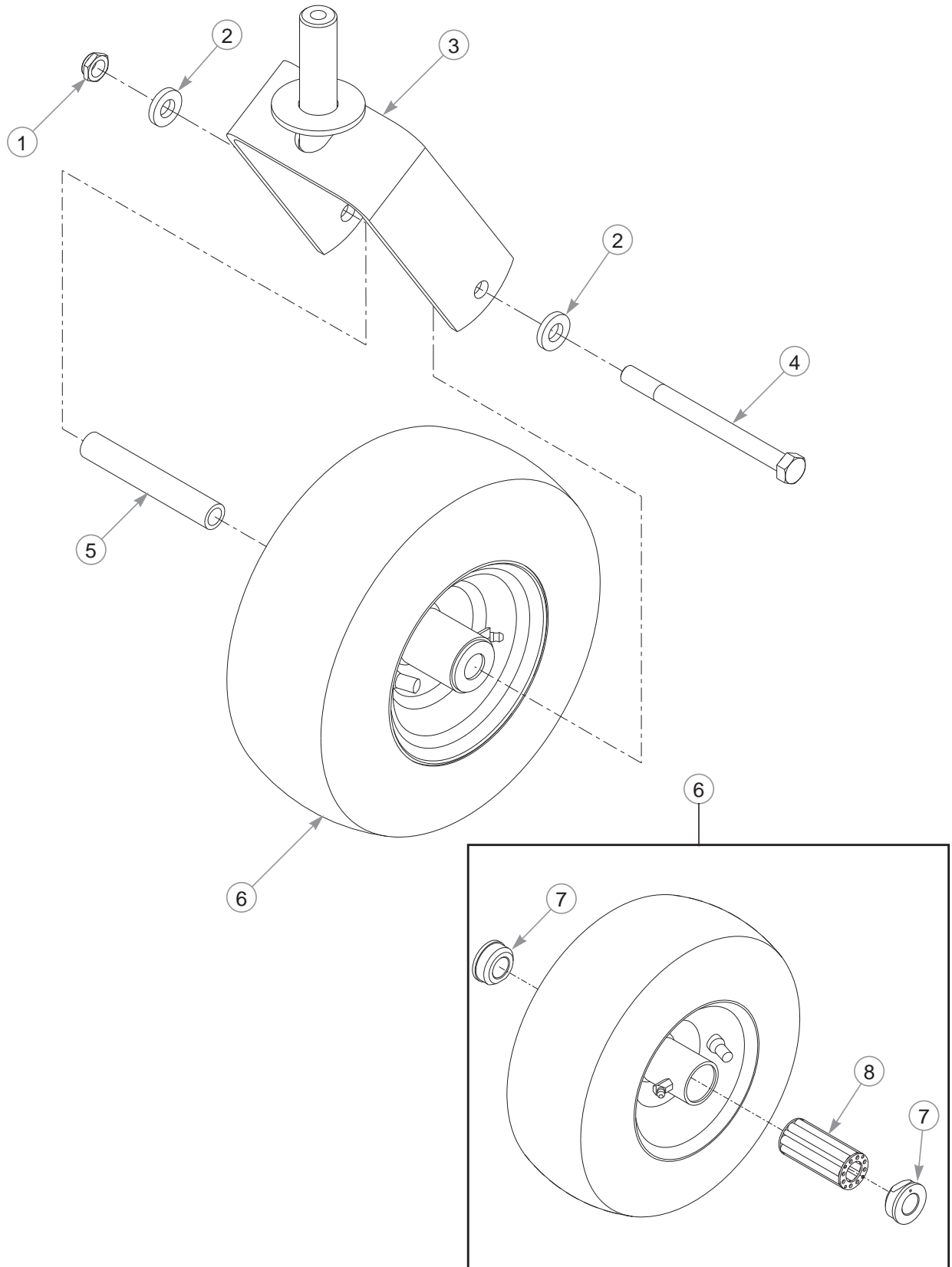
Wheel & Tire—42"/52" Mowers

INDEX NO.	PART NO.	QTY.	DESCRIPTION
1	604013	2	TIRE/WHEEL ASSEMBLY
2	061077	8	WHEEL NUT
3	705954	2	CS .500-13 X 1.25 HX G5
4	344267	2	FW .510 X 2.15 X .187 SPL
5	712976	2	FW .531 X 1.75 X .125
6	784223	4	BEARING
7	784603	2	SPACER
8	N/A	1	FRONT WHEEL SUB-ASSEMBLY

NOTES:

1. Torque to 65–75 ft-lbs.

Front Wheel Breakdown

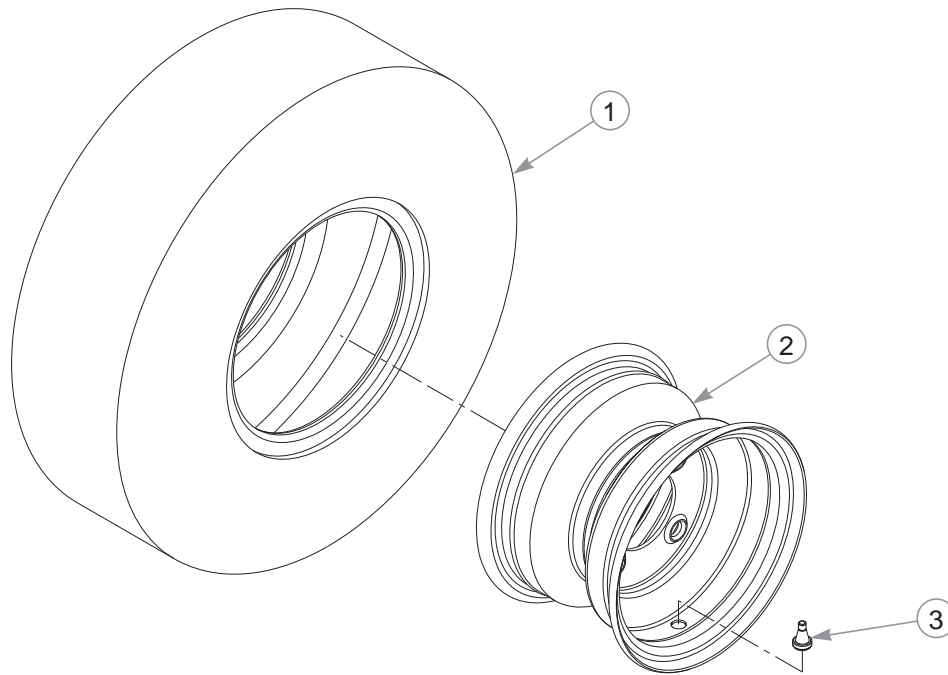


Front Wheel Breakdown

INDEX NO.	PART NO.	QTY.	DESCRIPTION
1	707398	1	NT .500-13 JAM NY LK
2	767962	2	FW .531 X 1.063 X .175
3	110116	1	CASTER FORK
4	604718	1	CS .500-13 X 6.00 HX G5
5	306969	1	GAUGE WHEEL SPACER
6	605113	1	TIRE/WHEEL ASSEMBLY 11 X 4-5 SMOOTH
7	772806	2	BEARING CAP
8	772814	1	3/4" ROLLER BEARING

NOTES:

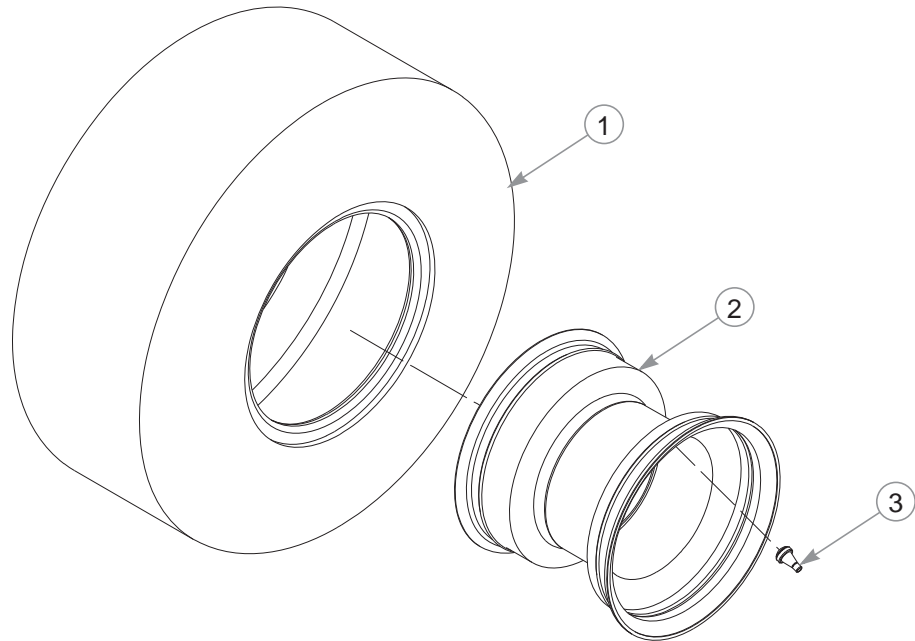
Drive Wheel Breakdown—36" Mowers



INDEX NO.	PART NO.	QTY	DESCRIPTION
1	605433	1	TIRE, 18 X 7.0-8
2	605262	1	WHEEL 8 X 6
3	019521	1	VALVE STEM

NOTES:

Drive Wheel Breakdown—42"/52" Mowers



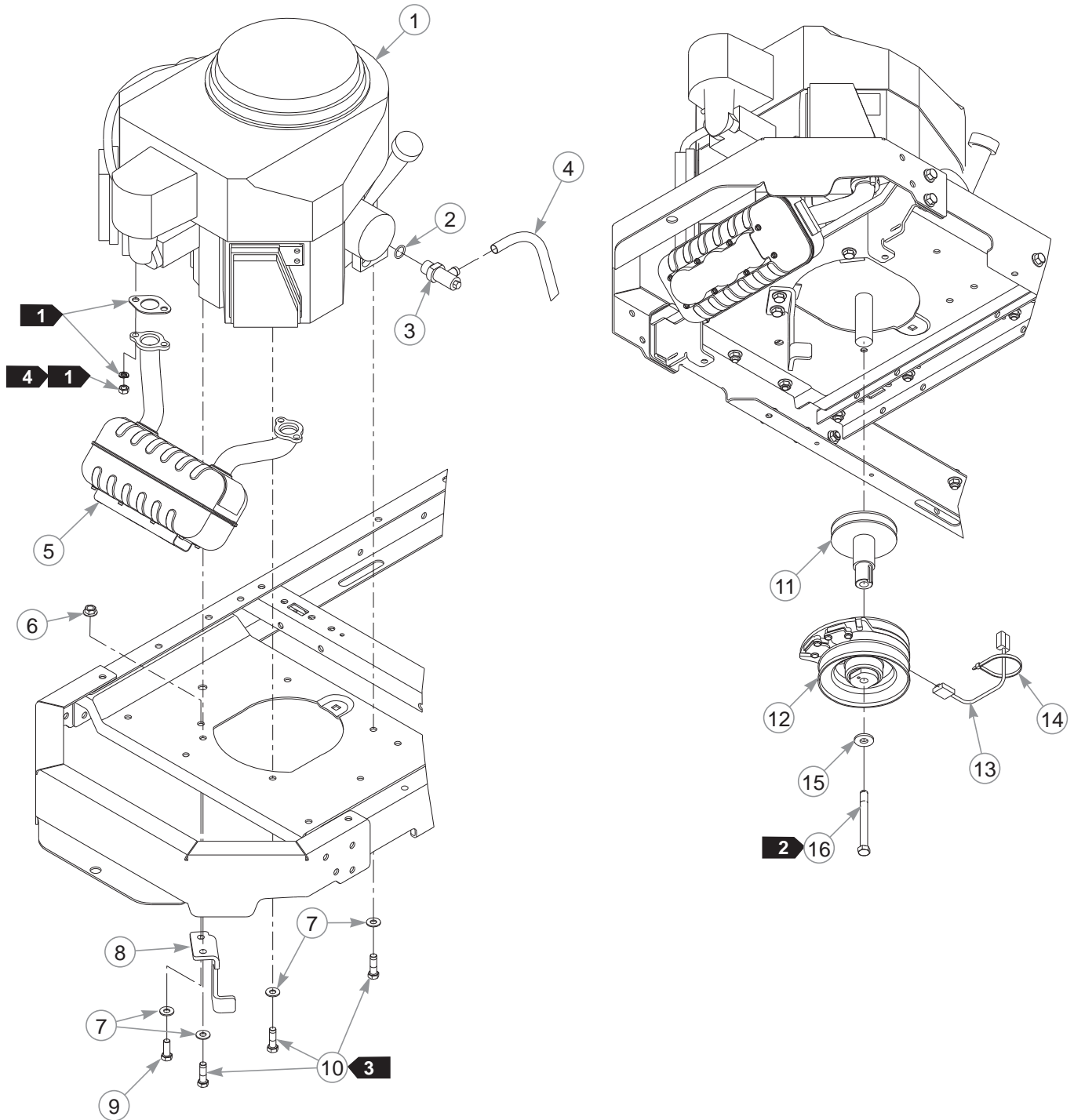
INDEX NO.	PART NO.	QTY	DESCRIPTION
1	604267	1	TIRE, 18 X 8.5-8
2	601820	1	WHEEL 8 X 6.93
3	019521	1	VALVE STEM

NOTES:

Section 5

Engine, Kawasaki FR541V & FR600V	5-2
Engine, Kawasaki FR651V & FR691V	5-6
Engine Service Parts, Kawasaki FR541V & FR600V	5-10
Engine Service Parts, Kawasaki FR651V & FR691V	5-11
Fuel System.	5-12

Engine, Kawasaki FR541V & FR600V



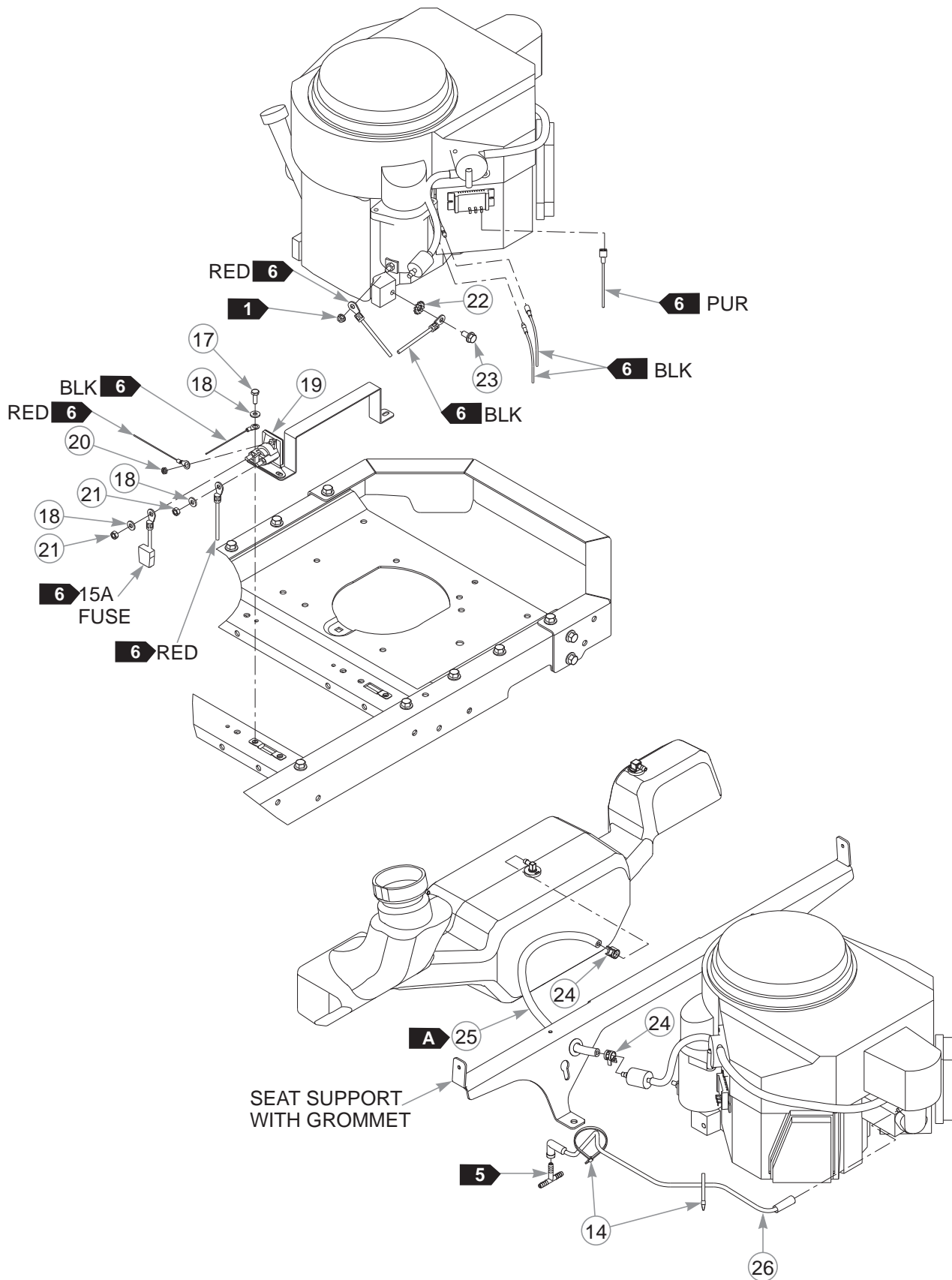
Engine, Kawasaki FR541V & FR600V

INDEX NO.	PART NO.	QTY.	DESCRIPTION
1	N/A	1	KAWASAKI FR541V & FR600V ENGINES
2	604369	1	O-RING
3	604350	1	OIL DRAIN VALVE
4	604463	12"	OIL DRAIN HOSE
5	602999	1	MUFFLER
6	016899	1	NT .375-16 HX FLK G5
7	767954	5	FW .379 X .813 X .063
8	116290	1	CLUTCH ANCHOR
9	036244	1	CS .375-16 X 1.00 HX G5
10	602580	4	CS .375-16 X 1.25 HX G8 P85
11	604185	1	STUB SHAFT PUMP PULLEY
12	604244K	1	CLUTCH KIT
13	791251	1	CLUTCH HARNESS PIGTAIL
14	000331	3	WIRE TIE
15	602680	1	FW .453 X 1.12 X .119 HRD
16	604271	1	CS .437-20 X 4.00 HX G5

NOTES:

1. Supplied with the engine.
2. Torque to 45–48 ft-lbs. Replace (do not reuse) the cap screw if it is removed or loosened. Use only hand tools to install this fastener.
3. Torque to 30–35 ft-lbs. Replace (do not reuse) the cap screw if it is removed or loosened. Use only hand tools to install this fastener.
4. Torque to 22 ft-lbs.


Engine, Kawasaki FR541V & FR600V



Engine, Kawasaki FR541V & FR600V

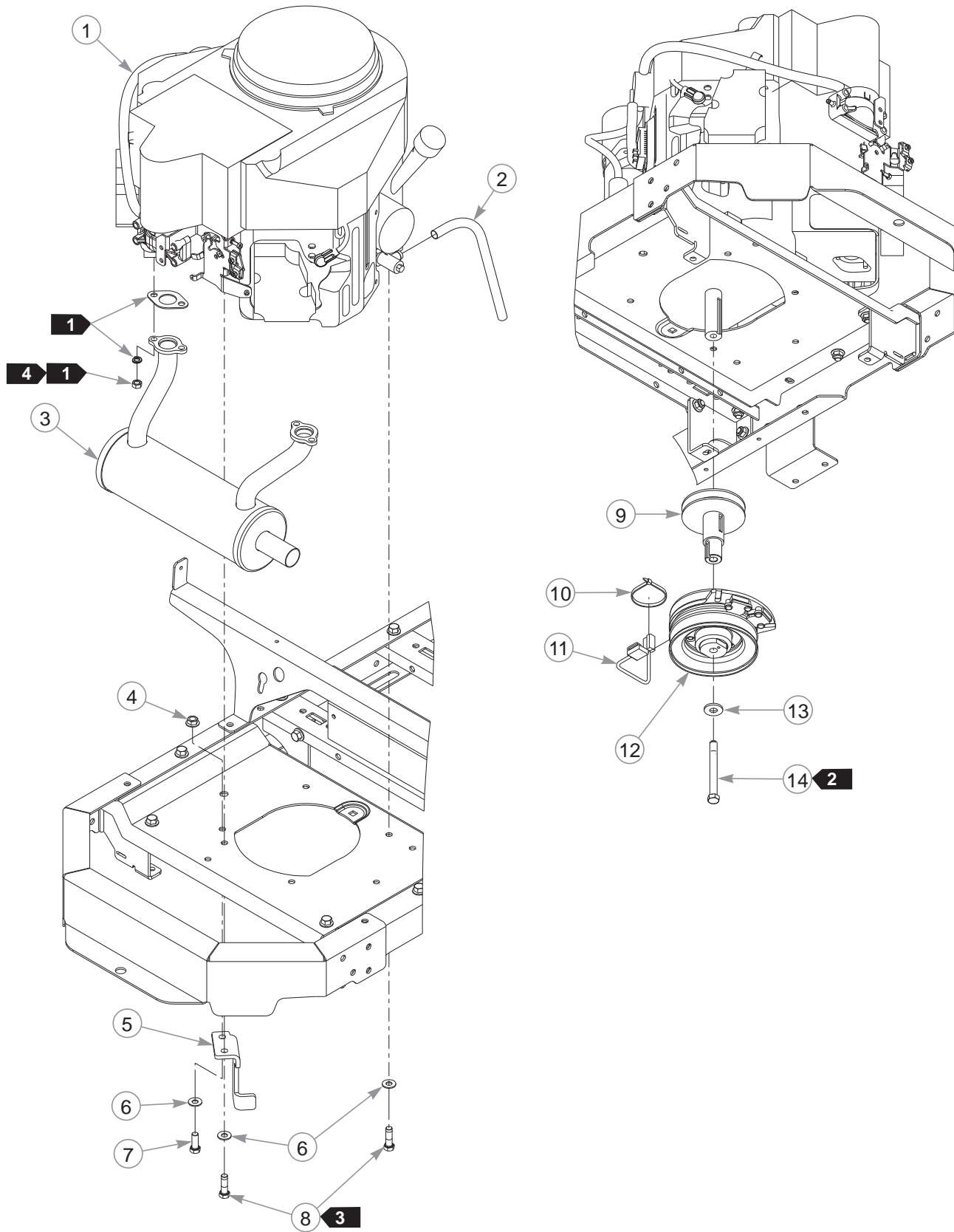
INDEX NO.	PART NO.	QTY.	DESCRIPTION
17	055939	2	CS .250-20 X .75 HX G5
18	768515	4	FW .281 X .625 X .066
19	030817	1	STARTER SOLENOID
20	044255	1	NT #10-32 HX ZN
21	024927	2	NT .250-20 HX G5
22	029876	1	LW .325 INT-EXT TOOTH
23	720516	1	CS M8 X 1.25 X 16 HX FL 10.9
24	000323	2	HOSE CLAMP
25	015818	18"	1/4" FUEL LINE
26	604274	1	3/16" FORMED VAPOR LINE

NOTES:

FUEL LINE LENGTHS		
	18"	TANK TO FUEL FILTER (FUEL)

- 5. Part of the fuel system.
- 6. Part of the wire harness.

Engine, Kawasaki FR651V & FR691V



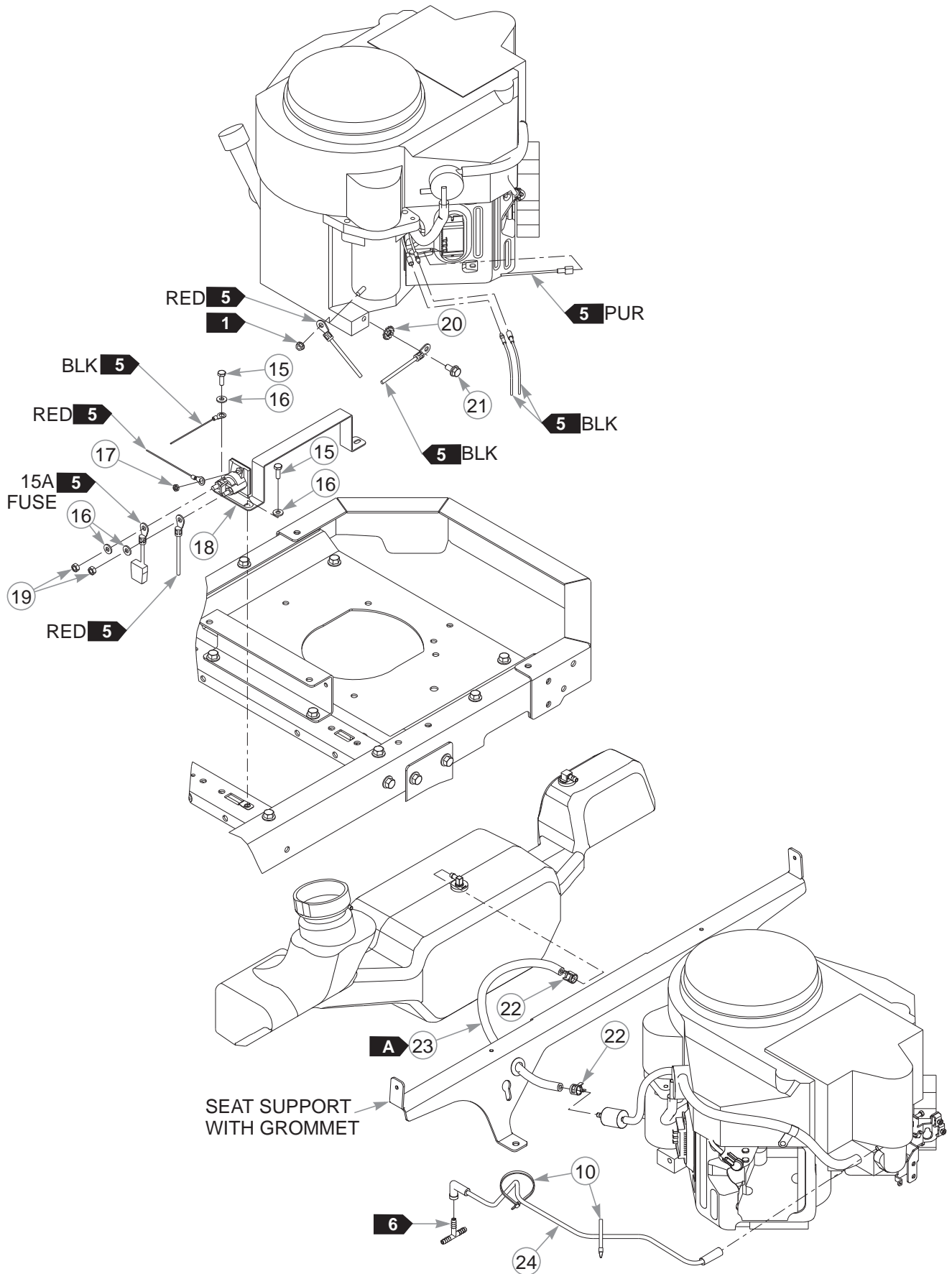
Engine, Kawasaki FR651V & FR691V

INDEX NO.	PART NO.	QTY.	DESCRIPTION
1	N/A	1	KAWASAKI FR651V ENGINE
2	604463	12"	OIL DRAIN HOSE
3	604016	1	MUFFLER
4	016899	1	NT .375-16 HX FLK G5
5	116290	1	CLUTCH ANCHOR
6	767954	5	FW .379 X .813 X .063
7	036244	1	CS .375-16 X 1.00 HX G5
8	602580	4	CS .375-16 X 1.25 HX G8 P85
9	604185	1	STUB SHAFT PUMP PULLEY
10	000331	3	WIRE TIE
11	791251	1	CLUTCH HARNESS PIGTAIL
12	604244K	1	CLUTCH KIT
13	602680	1	FW .453 X 1.12 X .119 HRD
14	604271	1	CS .437-20 X 4.00 HX G5

NOTES:

1. Supplied with the engine.
2. Torque to 45–48 ft-lbs. Replace (do not reuse) the cap screw if it is removed or loosened. Use only hand tools to install this fastener.
3. Torque to 30–35 ft-lbs. Replace (do not reuse) the cap screw if it is removed or loosened. Use only hand tools to install this fastener.
4. Torque to 22 ft-lbs.

Engine, Kawasaki FR651V & FR691V



Engine, Kawasaki FR651V & FR691V

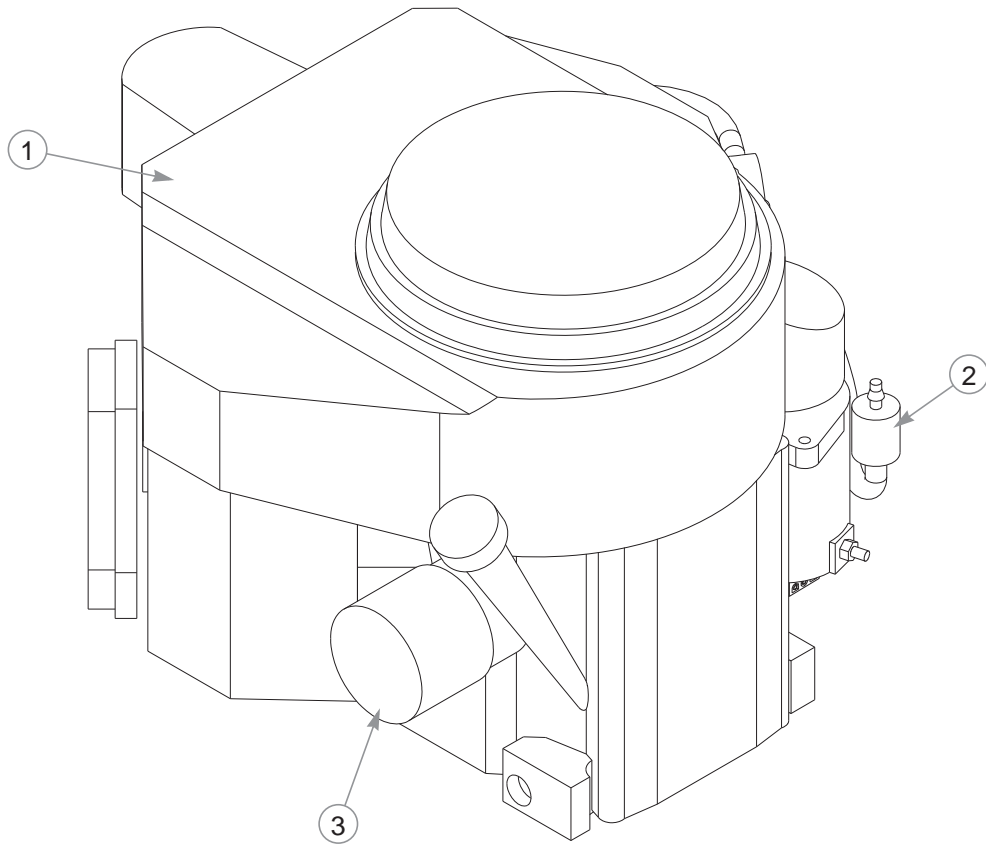
INDEX NO.	PART NO.	QTY.	DESCRIPTION
15	055939	2	CS .250-20 X .75 HX G5
16	768515	4	FW .281 X .625 X .066
17	044255	1	NT #10-32 HX ZN
18	030817	1	STARTER SOLENOID
19	024927	2	NT .250-20 HX G5
20	029876	1	LW .325 INT-EXT TOOTH
21	720516	1	CS M8 X 1.25 X 16 HX FL 10.9
22	000323	2	HOSE CLAMP
23	015818	18"	1/4" FUEL LINE
24	604274	1	3/16" FORMED VAPOR LINE

NOTES:

FUEL LINE LENGTH		
A	18"	TANK TO ENGINE

- 5. Part of the wire harness.
- 6. Part of the fuel system.

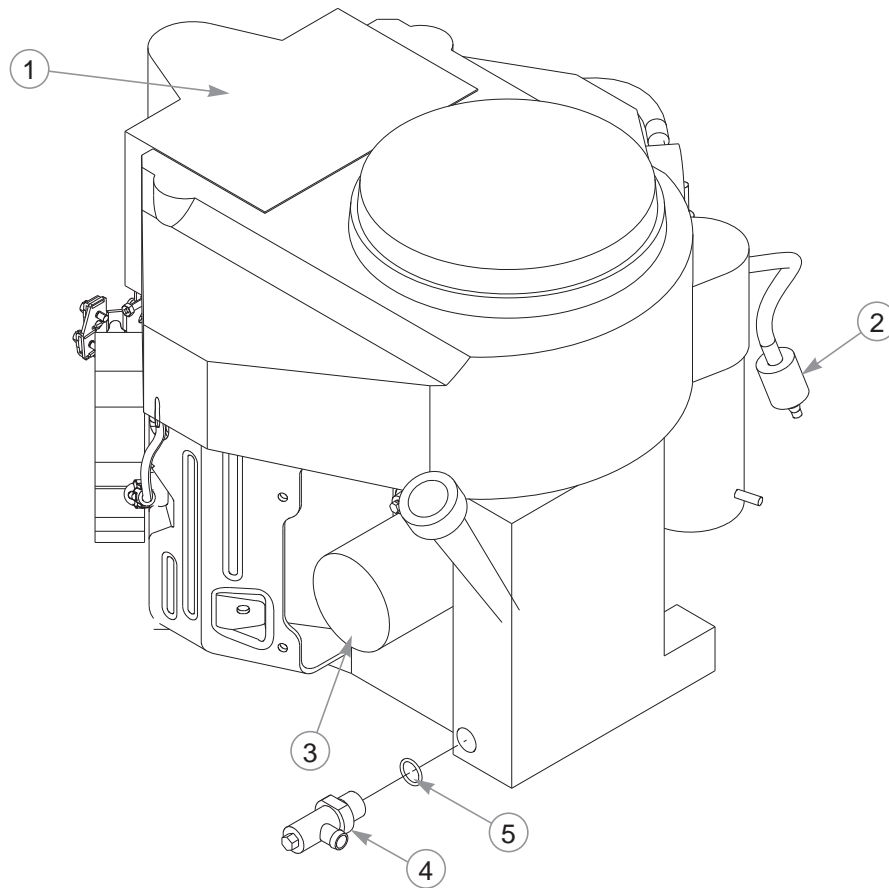
Engine Service Parts, Kawasaki FR541V & FR600V



INDEX NO.	PART NO.	QTY	DESCRIPTION
1	604240	1	AIR FILTER
2	068478	1	IN-LINE FUEL FILTER
3	602581	1	OIL FILTER

NOTES:

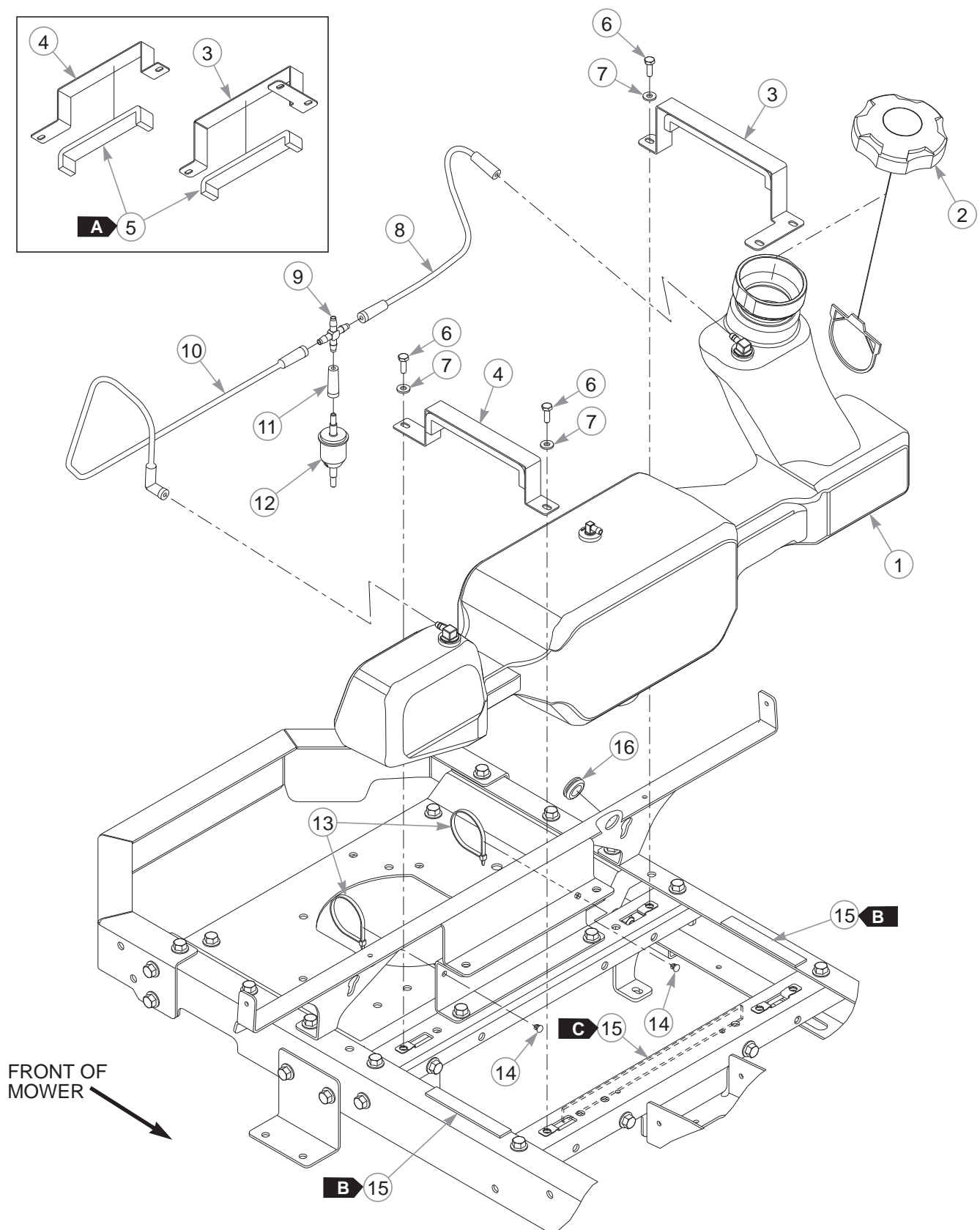
Engine Service Parts, Kawasaki FR651V & FR691V



INDEX NO.	PART NO.	QTY	DESCRIPTION
1	603059	1	AIR FILTER
2	068478	1	IN-LINE FUEL FILTER
3	602581	1	OIL FILTER
4	604350	1	OIL DRAIN VALVE
5	604369	1	O-RING

NOTES:

Fuel System



Fuel System

INDEX NO.	PART NO.	QTY.	DESCRIPTION
1	605958	1	FUEL TANK ASSEMBLY (S/N 15079323 & HIGHER)
	604336	1	FUEL TANK ASSEMBLY (S/N PRIOR TO 15079323)
2	603807	1	RATCHETING GAS CAP, 3.5"
3	117059	1	LEFT TANK MOUNT
4	117060	1	RIGHT TANK MOUNT
5	713198	18.5"	SEAL 3/8 X 3/4
6	055939	3	CS .250-20 X .75 HX G5
7	768515	3	FW .281 X .625 X .066
8	604279	1	3/16" FORMED VAPOR LINE
9	604322	1	1/4" HOSE BARB CROSS
10	604273	1	3/16" FORMED VAPOR LINE
11	604292	1	BOOT, 3/16" TO 1/4" BARB
12	604323	1	VAPOR SYSTEM FILTER
13	000331	2	WIRE TIE
14	604307	2	PUSH BUTTON MOUNT
15	033035	22"	WEATHERSTRIP
16	601400	1	GM .63 X 1.13 X .88 X .13 (S/N 15079323 & HIGHER)

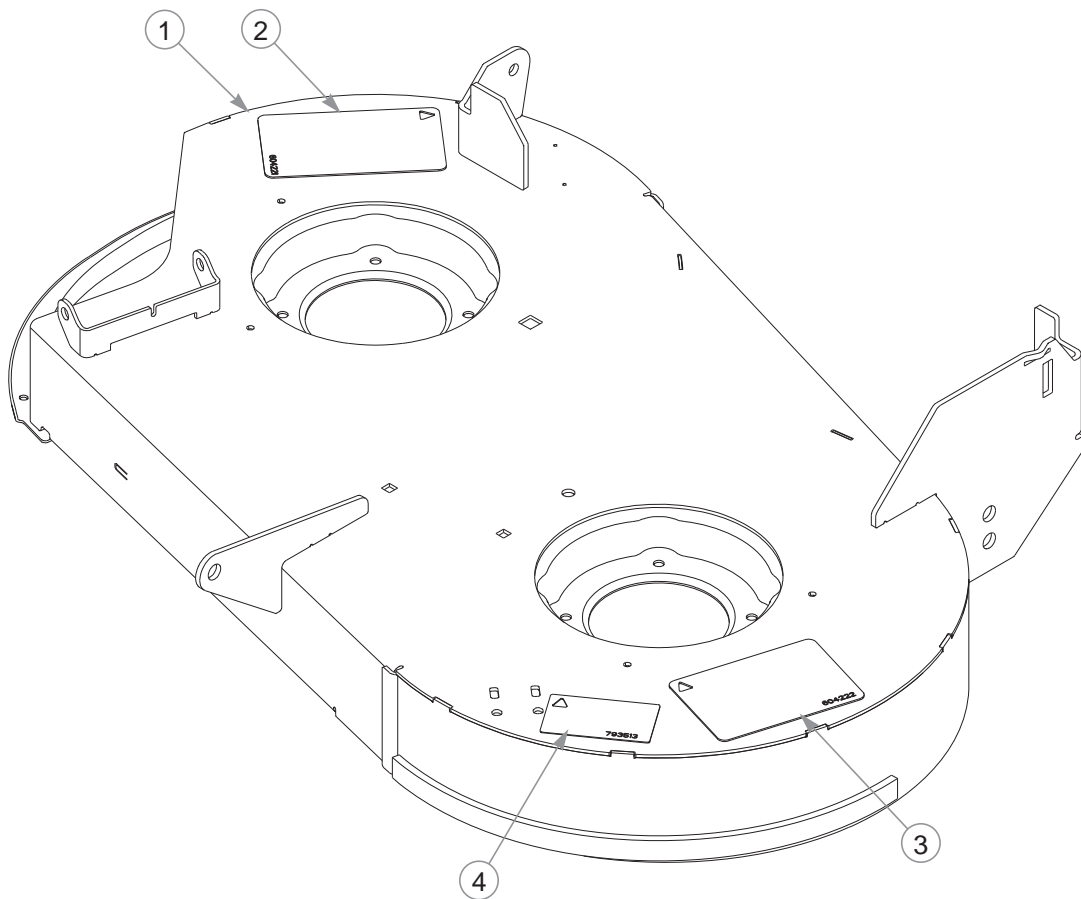
NOTES:

SEAL & WEATHERSTRIP LENGTH	
A →	9.25"
B →	5"
C →	12"

Section 6

36" Service Deck	6-2
36" Deck Pulleys & Spindles	6-4
36" Deck	6-6
42" Service Deck	6-8
42" Deck Pulleys & Spindles	6-10
42" Deck	6-12
36"/42" Deck Lift	6-14
52" Service Deck	6-16
52" Deck Pulleys & Spindles	6-18
52" Deck	6-20
52" Deck Lift	6-22

36" Service Deck

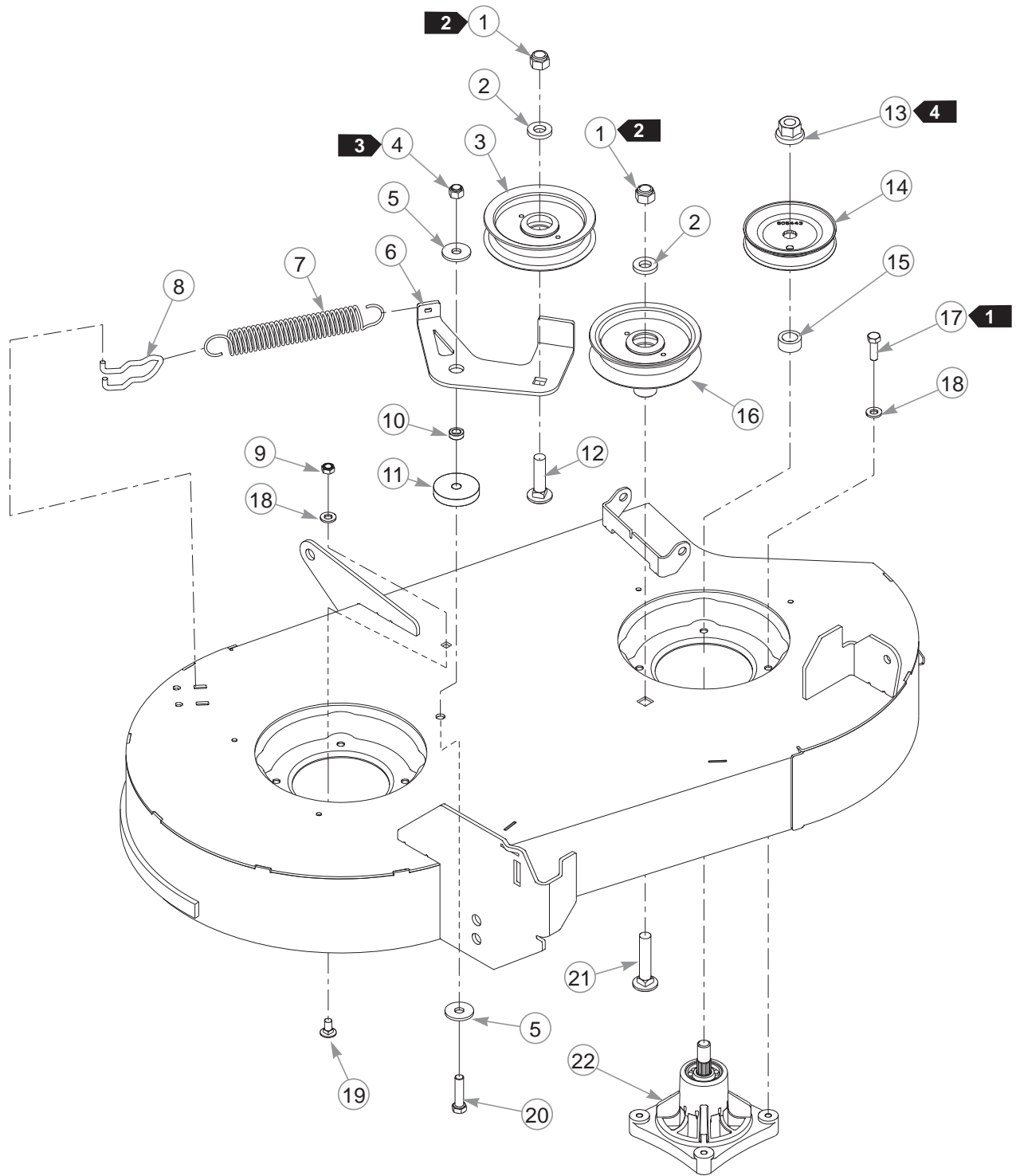


INDEX NO.	PART NO.	QTY.	DESCRIPTION
1	552705	1	36" DECK (WITH DECALS)
2	604221	1	DANGER/CHUTE DECAL
3	604222	1	DANGER/OBJECTS DECAL
4	793513	1	36" DECK ID DECAL

NOTES:

This page intentionally left blank.

36" Deck Pulleys & Spindles



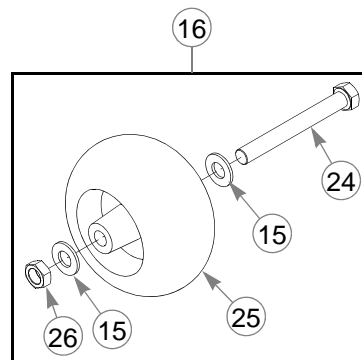
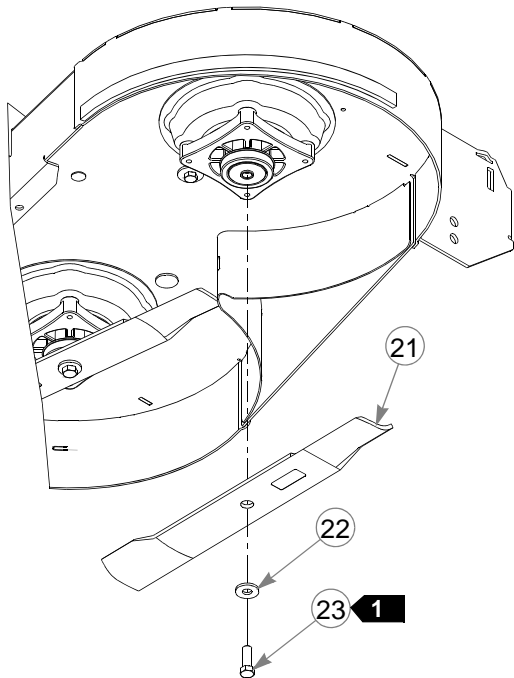
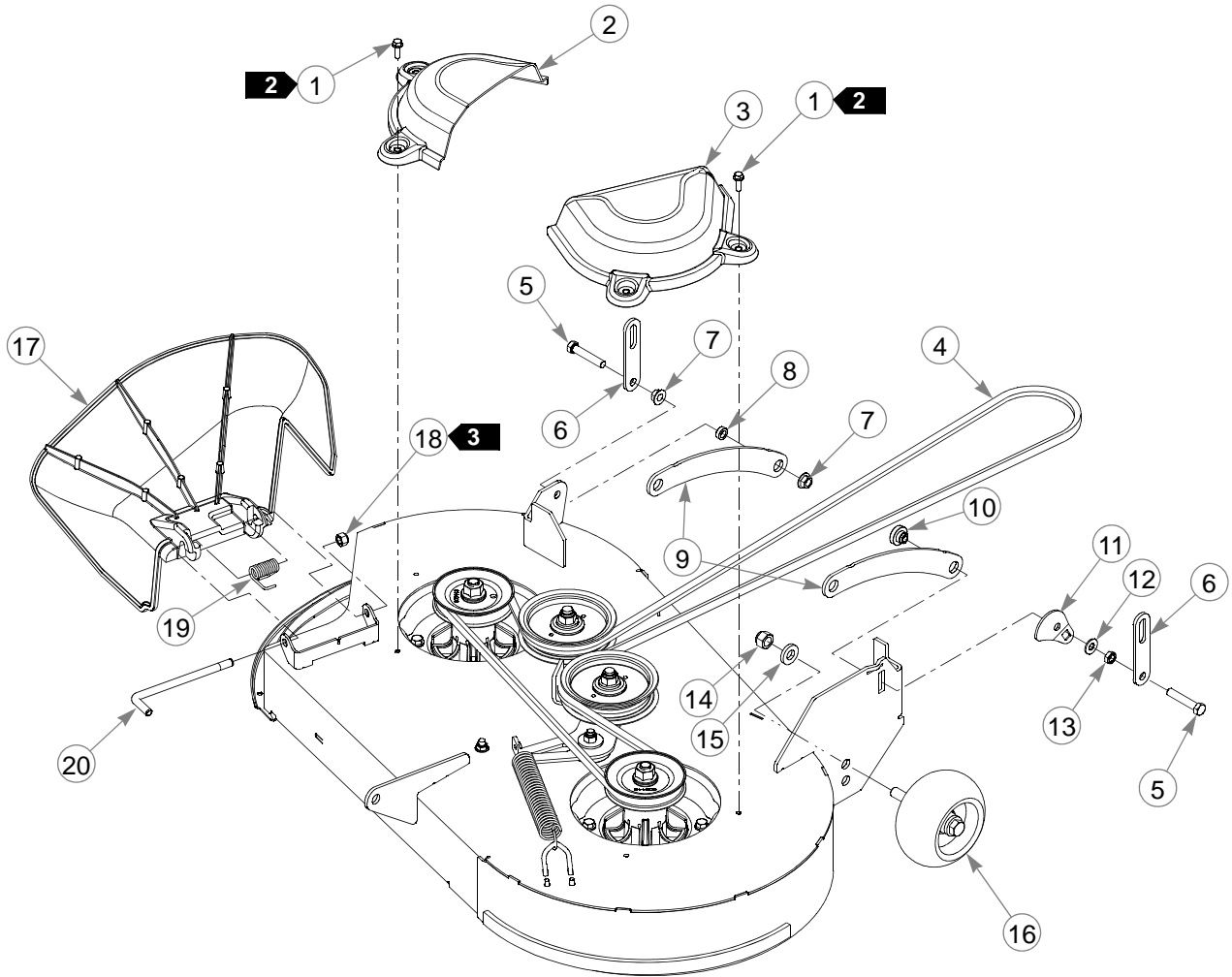
36" Deck Pulleys & Spindles

INDEX NO.	PART NO.	QTY.	DESCRIPTION
1	781567	2	NT .500-13 HX G8 ZY NL
2	767962	2	FW .531 X 1.063 X .175
3	603986	1	IDLER PULLEY, 4.00" FLAT
4	086660	1	NT .375-16 HX G5 ZY NL
5	712893	2	FW .406 X 1.25 X .12 HRD Z
6	119932	1	IDLER ARM
7	605379	1	SPRING
8	604110	1	SPRING TENSIONER ANCHOR
9	604251	1	NT .312-18 HX NL JAM G2 ZN
10	601839	1	PIVOT SPACER BUSHING
11	117539	1	SPACER
12	604253	1	CB .50-13 X 2.00 STD ZN
13	604172	2	NT .562-18 HX G5 ZN
14	605443	2	DRIVE PULLEY 36"
15	604123	2	PULLEY SPACER
16	604219	1	IDLER PULLEY, 4.00" FLAT
17	036236	8	CS .312-18 X 1.00 HX G5
18	768523	9	FW .343 X .687 X .051/.080H
19	083147	1	CB .312-18 X .620 G5 ZN
20	080655	1	CS .375-16 X 1.50 HX G5
21	604254	1	CB .50-13 X 2.50 STD ZN
22	604214	2	SPINDLE ASSEMBLY

NOTES:

1. Torque to 18 ft-lbs.
2. Torque to 73 ft-lbs.
3. Torque to 30 ft-lbs.
4. Torque to 50–75 ft-lbs.

36" Deck



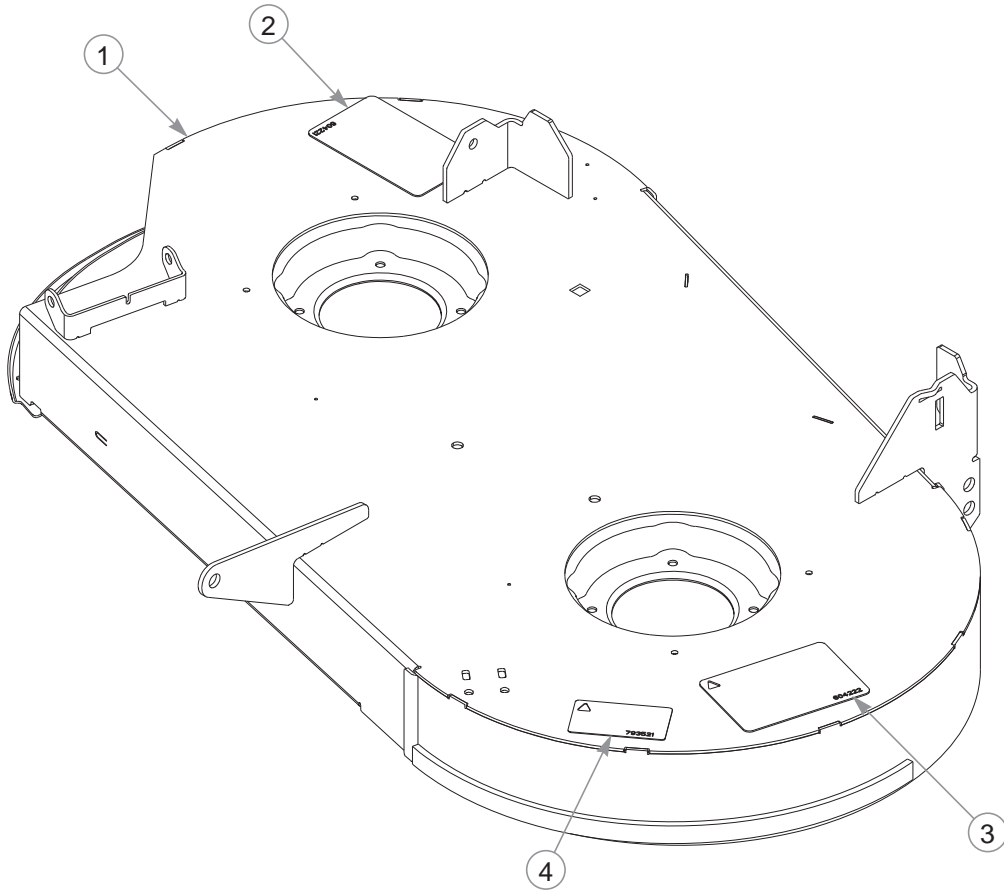
36" Deck

INDEX NO.	PART NO.	QTY.	DESCRIPTION
1	604324	4	CS .250-20 X .75 HX FLG
2	605254	1	RS PULLEY COVER
3	604403	1	LS PULLEY COVER
4	771824	1	BELT
5	016410	2	CS .375-16 X 2.00 HX G5
6	117532	2	DECK LIFT LINK
7	016899	2	NT .375-16 HX FLK G5
8	601839	1	PIVOT SPACER BUSHING
9	116155	2	DECK LINK
10	605016	1	DECK LEVELING NUT
11	116911	1	LEVELER CAM
12	767954	1	FW .379 X .813 X .063
13	706168	1	NT .375-16 HX JAM G5 Z
14	781567	1	NT .500-13 HX G8 ZY NL
15	767962	3	FW .531 X 1.063 X .175
16	788166	1	PLASTIC WHEEL ASSEMBLY (WITH HARDWARE)
17	604268	1	DISCHARGE CHUTE
18	086660	1	NT .375-16 HX G5 ZY NL
19	604331	1	CHUTE SPRING
20	604346	1	DISCHARGE CHUTE PIN
21	783753	2	BLADE, 17.86"-L-F-CW
	603995	2	BLADE, 17.86"-M-F-CW
	785436	2	BLADE, 17.86"-GAT-F-CW
	787721	2	BLADE, 17.86"-H-F-CW
	794198	2	BLADE, 17.86"-MUL-F-CW
	603848	2	BLADE, 17.86"-CAT-F-CW
22	602680	2	FW .453 X 1.12 X .119 HRD
23	754101	2	CS .437-20 X 1.25 HX G5 ZNY
24	781708	1	CS .500-13 X 4.25 HX G5
25	031997	1	PLASTIC WHEEL
26	053199	1	NT .500-13 HX JAM ZNYC

NOTES:

1. Torque to 48 ft-lbs.
2. Torque to 8 ft-lbs on these 4 self-tapping screws.
3. Do not torque; the discharge chute must pivot freely.

42" Service Deck

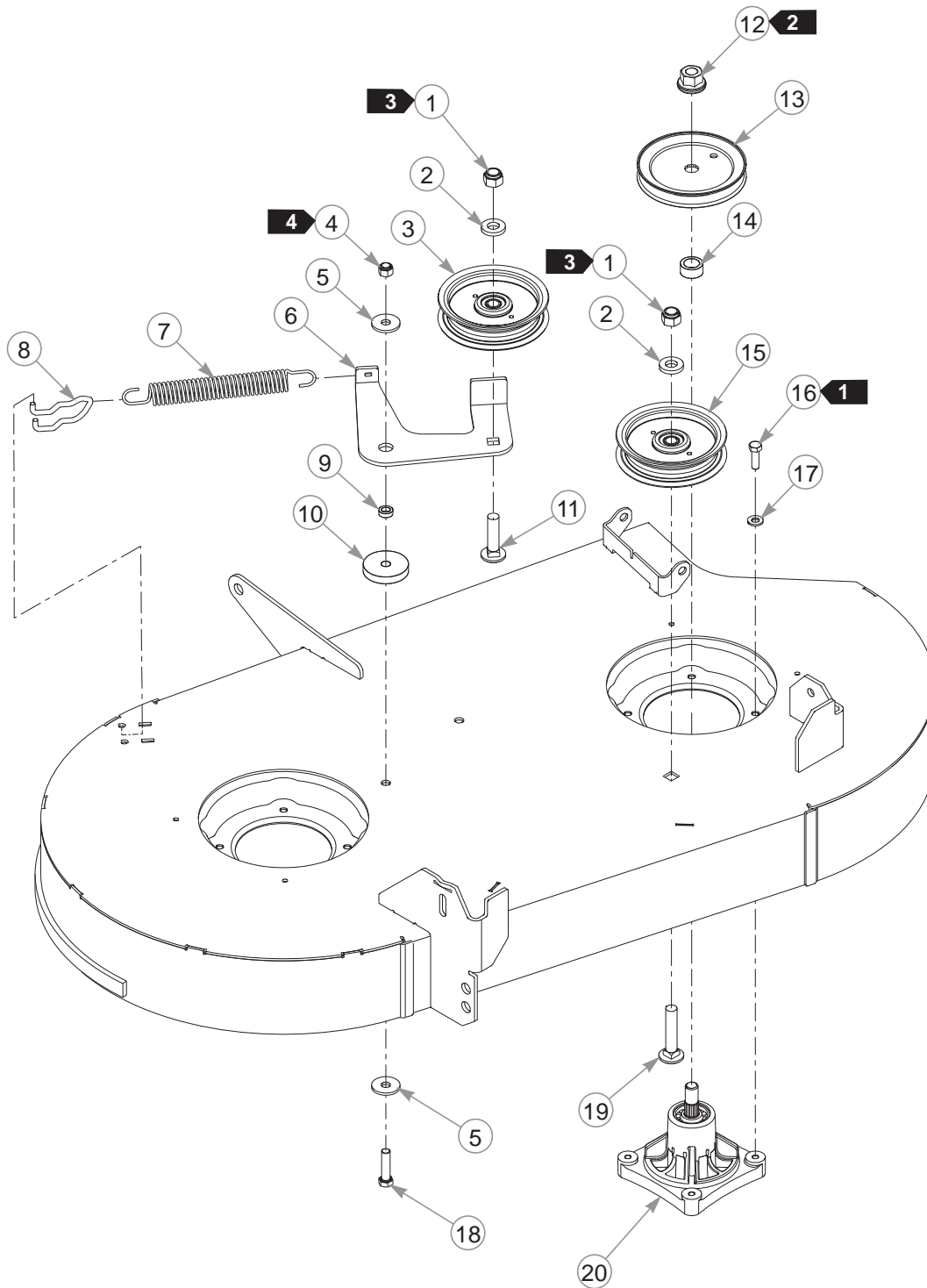


INDEX NO.	PART NO.	QTY.	DESCRIPTION
1	551896	1	42" DECK (WITH DECALS)
2	604221	1	DANGER/CHUTE DECAL
3	604222	1	DANGER/OBJECTS DECAL
4	793521	1	42" DECK ID DECAL

NOTES:

This page intentionally left blank.

42" Deck Pulleys & Spindles



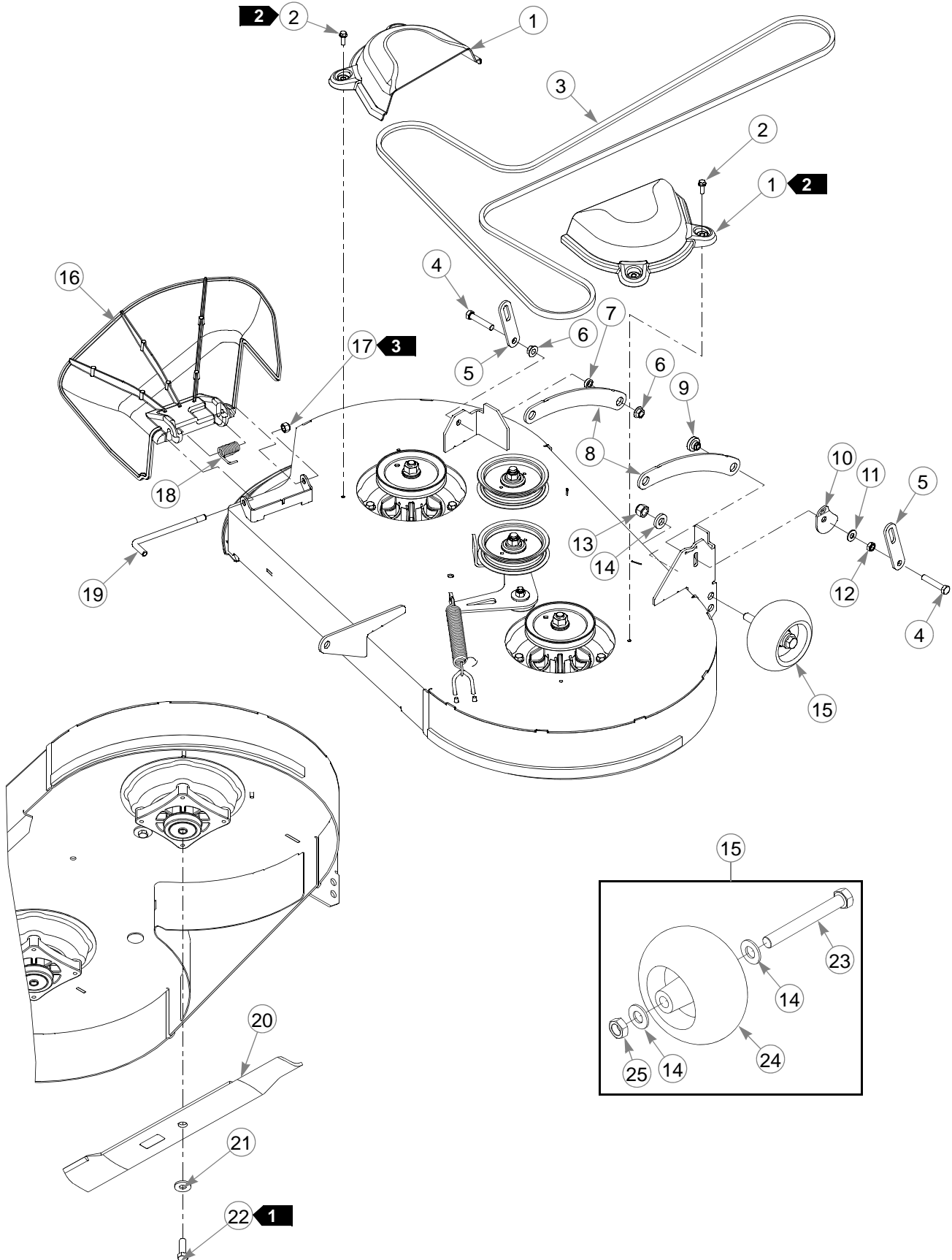
42" Deck Pulleys & Spindles

INDEX NO.	PART NO.	QTY.	DESCRIPTION
1	781567	2	NT .500-13 HX G8 ZY NL
2	767962	2	FW .531 X 1.063 X .175
3	603986	1	IDLER PULLEY, 4.00" FLAT
4	086660	1	NT .375-16 HX G5 ZY NL
5	712893	2	FW .406 X 1.25 X .12 HRD Z
6	117596	1	IDLER ARM
7	604291	1	IDLER SPRING
8	604110	1	SPRING TENSIONER ANCHOR
9	601839	1	PIVOT SPACER BUSHING
10	117539	1	SPACER
11	604253	1	CB .50-13 X 2.00 STD ZN
12	604172	2	NT .562-18 HX G5 ZN
13	603987	2	PULLEY
14	604123	2	PULLEY SPACER
15	604219	1	IDLER PULLEY, 4.00" FLAT
16	036236	8	CS .312-18 X 1.00 HX G5
17	768523	8	FW .343 X .687 X .051/.080H
18	080655	1	CS .375-16 X 1.50 HX G5
19	604254	1	CB .50-13 X 2.50 STD ZN
20	604214	2	SPINDLE ASSEMBLY

NOTES:

1. Torque to 18 ft-lbs.
2. Torque to 50–75 ft-lbs.
3. Torque to 73 ft-lbs.
4. Torque to 30 ft-lbs. The idler arm should pivot freely.

42" Deck



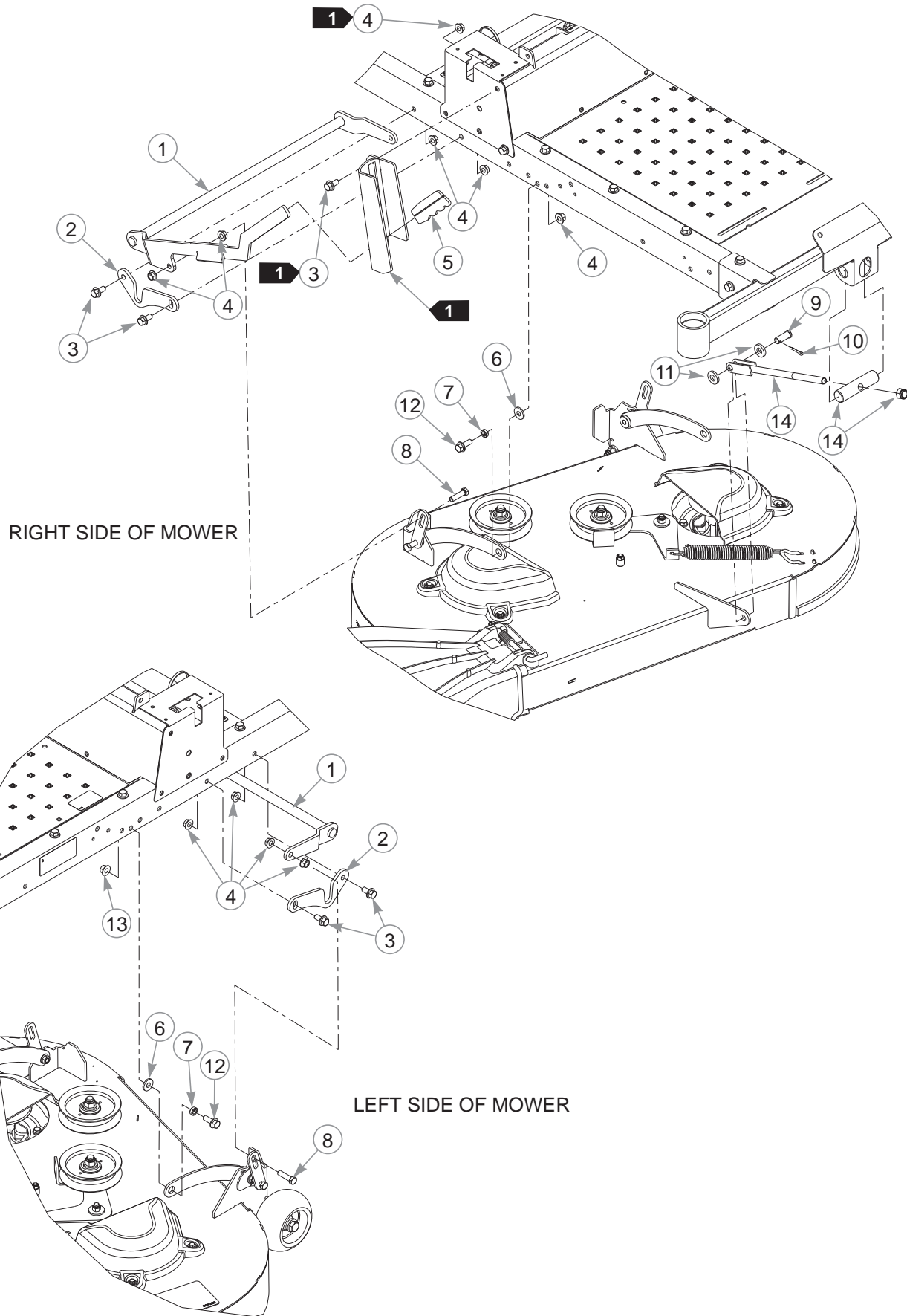
42" Deck

INDEX NO.	PART NO.	QTY.	DESCRIPTION
1	604403	2	LS PULLEY COVER
2	604324	4	CS .250-20 X .75 HX FLG
3	793828	1	BELT, A SEC
4	016410	2	CS .375-16 X 2.00 HX G5
5	117532	2	DECK LIFT LINK
6	016899	2	NT .375-16 HX FLK G5
7	601839	1	PIVOT SPACER BUSHING
8	116155	2	DECK LINK
9	605016	1	DECK LEVELING NUT
10	116911	1	LEVELER CAM
11	767954	1	FW .379 X .813 X .063
12	706168	1	NT .375-16 HX JAM G5 Z
13	781567	1	NT .500-13 HX G8 ZY NL
14	767962	3	FW .531 X 1.063 X .175
15	788166	1	PLASTIC WHEEL ASSEMBLY
16	604268	1	DISCHARGE CHUTE
17	086660	1	NT .375-16 HX G5 ZY NL
18	604331	1	CHUTE SPRING
19	604346	1	DISCHARGE CHUTE PIN
20	793794	2	BLADE, 20.50"-L-F-CW
	603992	2	BLADE, 20.50"-M-F-CW
	794685	2	BLADE, F20.50"-H-F-CW
	793935	2	BLADE, 20.50"-CAT-F-CW
	794214	2	BLADE, 20.50"-MUL-F-CW
	794230	2	BLADE, 20.50"-GAT-F-CW
21	602680	2	FW .453 X 1.12 X .119 HRD
22	754101	2	CS .437-20 X 1.25 HX G5 ZNY
23	781708	1	CS .500-13 X 4.25 HX G5
24	031997	1	PLASTIC WHEEL
25	053199	1	NT .500-13 HX JAM ZNYC

NOTES:

1. Torque to 48 ft-lbs.
2. Torque to 8 ft-lbs on these 4 self-tapping screws.
3. Do not torque; the discharge chute must pivot freely.

36"/42" Deck Lift



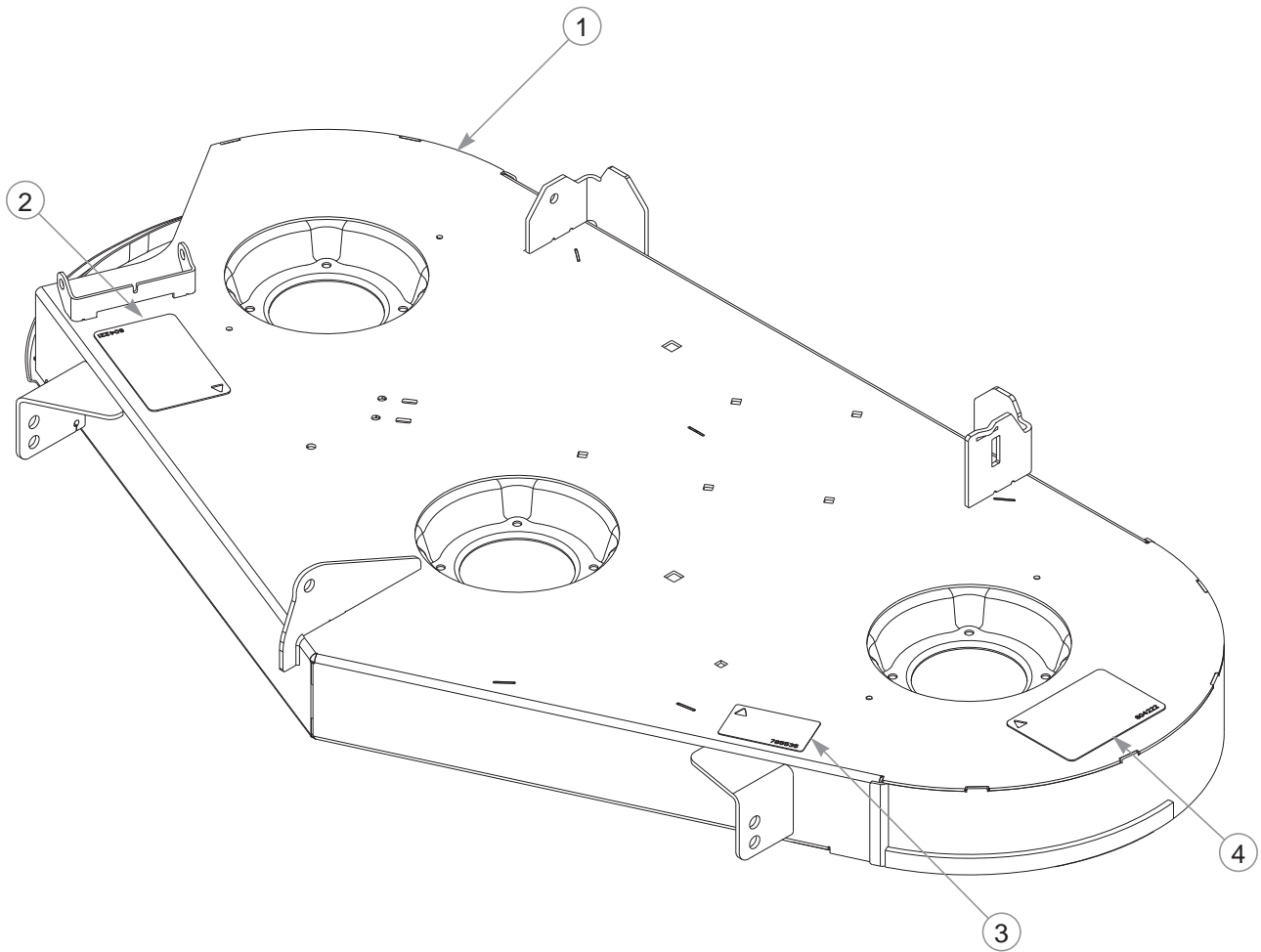
36"/42" Deck Lift

INDEX NO.	PART NO.	QTY.	DESCRIPTION
1	120677	1	LIFT HANDLE
2	116151	2	PIVOT BLOCK
3	029629	4	CS .375-16 X .75 HX FLK
4	016899	8	NT .375-16 HX FLK G5
5	604377	1	GRIP
6	712919	2	FW .406 X 1.00 X .12 HRD Z
7	601839	2	PIVOT SPACER BUSHING
8	005116	2	CS .375-16 X 1.375 HX G5
9	027714	1	CE .500 X 1.25 X .156 X 1.093
10	017251	1	CP .156D X 1.00 LG HML Z
11	767962	2	FW .531 X 1.063 X .175
12	029751	2	CS .375-16 X 1.00 HX FLK
13	604515	2	NT .375-16 FL NY GF
14	121232	1	DECK PIVOT KIT

NOTES:

1. Part of the Steering Cover Assembly.

52" Service Deck

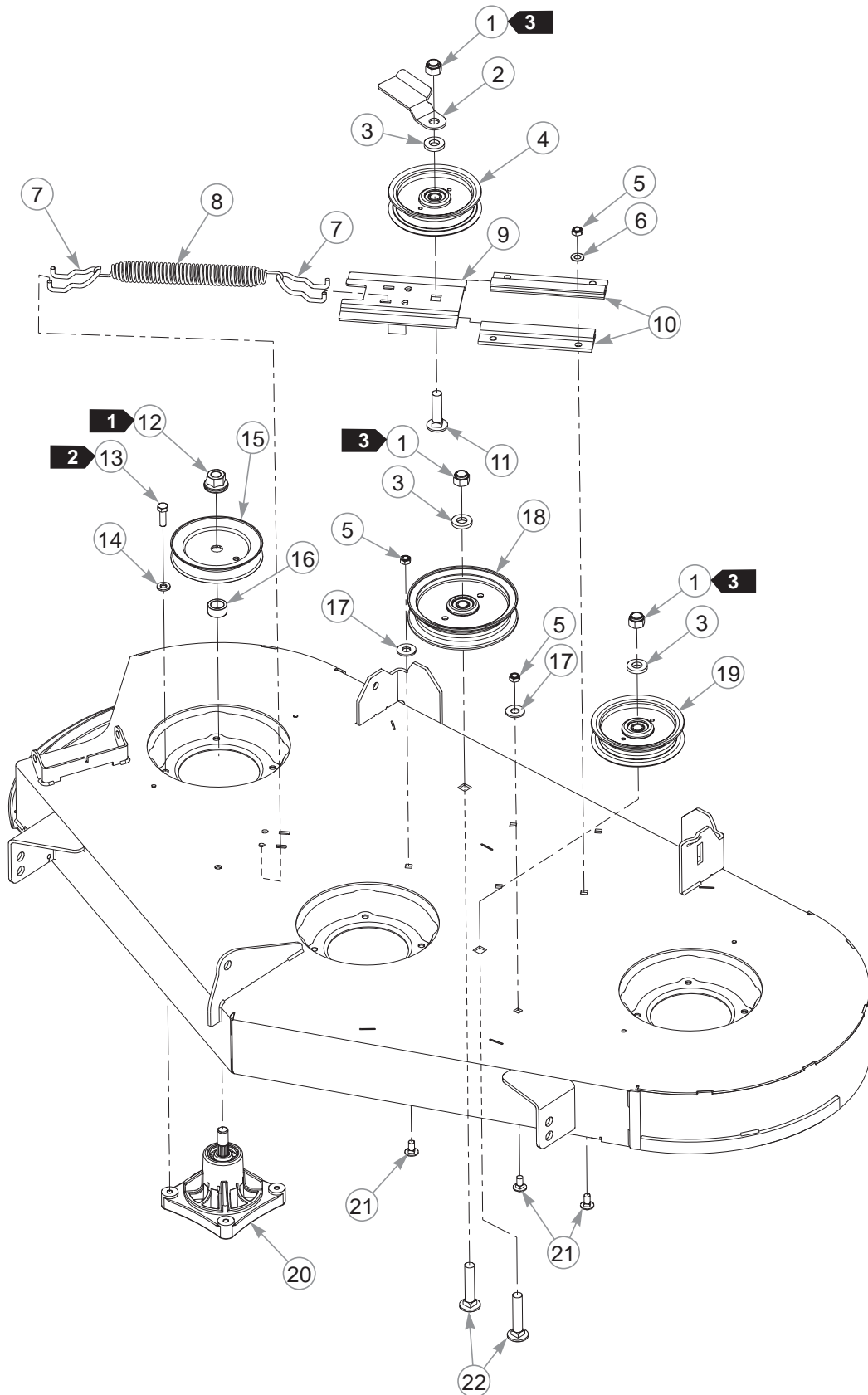


INDEX NO.	PART NO.	QTY.	DESCRIPTION
1	551770	1	52" DECK (WITH DECALS)
2	604221	1	DANGER/CHUTE DECAL
3	785535	1	52" DECK DECAL
4	604222	1	DANGER/OBJECTS DECAL

NOTES:

This page intentionally left blank.

52" Deck Pulleys & Spindles



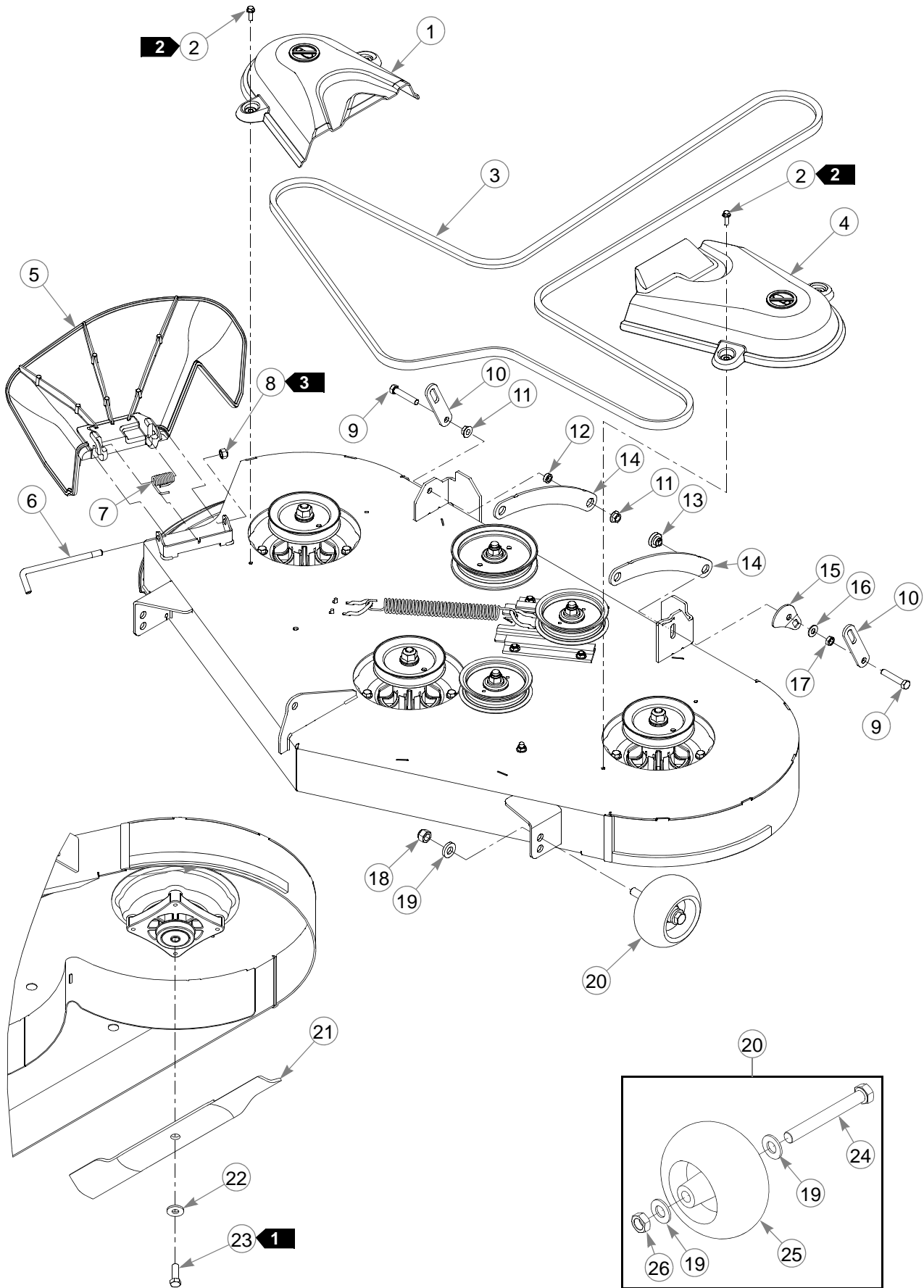
52" Deck Pulleys & Spindles

INDEX NO.	PART NO.	QTY.	DESCRIPTION
1	781567	3	NT .500-13 HX G8 ZY NL
2	121780	1	BELT GUIDE
3	767962	3	FW .531 X 1.063 X .175
4	603986	1	IDLER PULLEY, 4.00" FLAT
5	604251	6	NT .312-18 HX G2 ZN NL JAM
6	604252	4	FW .340 X .675 X .035 ZN
7	604110	2	SPRING TENSIONER ANCHOR
8	122388	1	IDLER SPRING
9	604194	1	IDLER SLED
10	604079	2	IDLER SLIDE
11	604253	1	CB .50-13 X 2.00 STD ZN
12	604172	3	NT .562-18 HX G5 ZN
13	036236	12	CS .312-18 X 1.00 HX G5
14	768523	12	FW .343 X .687 X .051/.080H
15	603988	3	DRIVE PULLEY "B-SEC"
16	604123	3	PULLEY SPACER
17	017129	2	FW .440 X 1.00 X .083 ZNY
18	604231	1	IDLER PULLEY, 5.00" O.D.
19	604219	1	IDLER PULLEY, 4.00" FLAT
20	604214	3	SPINDLE ASSEMBLY
21	083147	6	CB .312-18 X .620 G5 ZN
22	604254	2	CB .50-13 X 2.50 STD ZN

NOTES:

1. Torque to 50–75 ft-lbs.
2. Torque to 18 ft-lbs.
3. Torque to 73 ft-lbs.

52" Deck



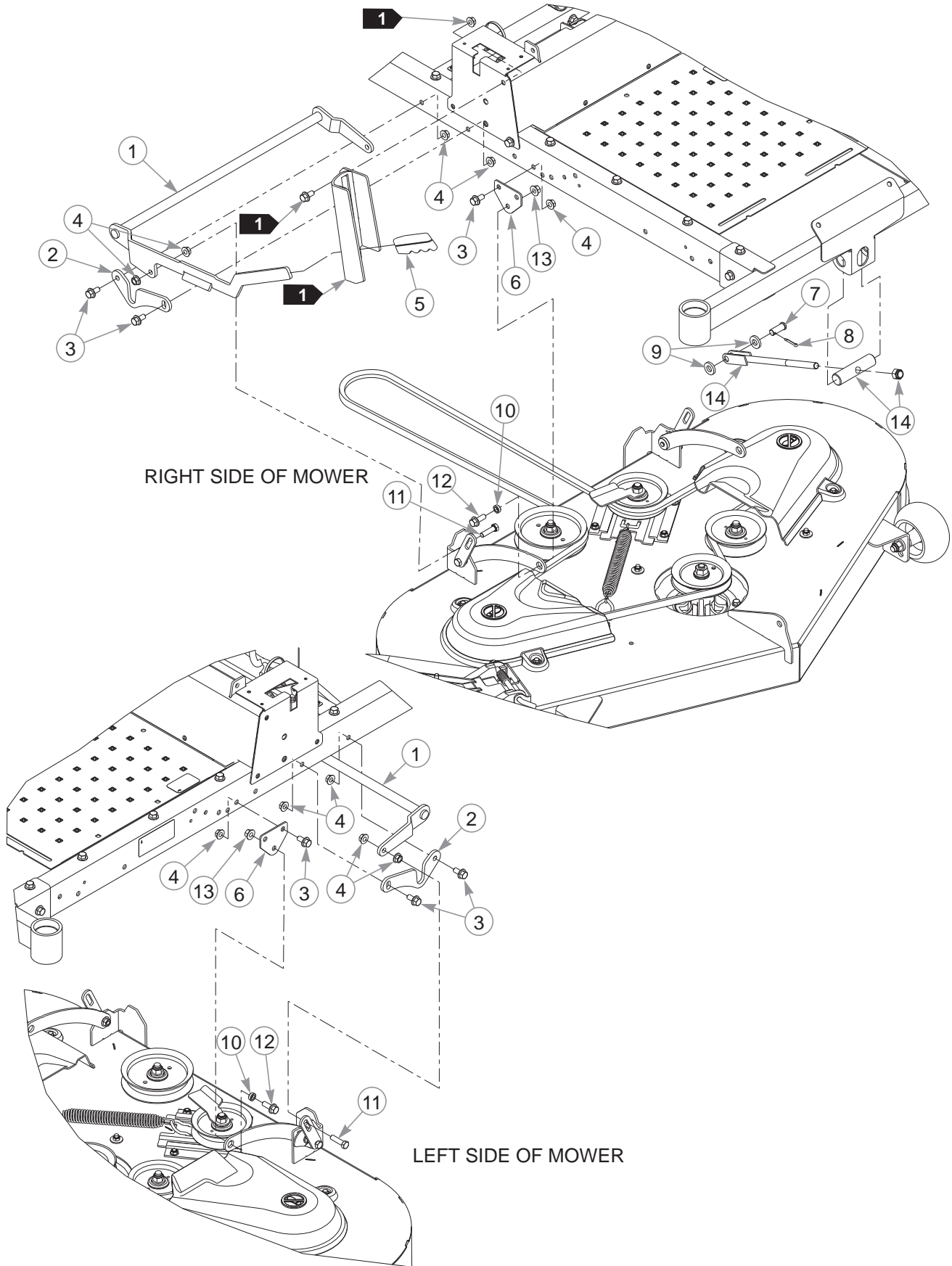
52" Deck

INDEX NO.	PART NO.	QTY.	DESCRIPTION
1	604337	1	RS PULLEY COVER
2	604324	4	CS .250-20 X .75 HX FLG
3	791988	1	BELT, B 140.77" EL
4	604338	1	LS PULLEY COVER
5	604268	1	DISCHARGE CHUTE
6	604346	1	DISCHARGE CHUTE PIN
7	604331	1	CHUTE SPRING
8	086660	1	NT .375-16 HX G5 ZY NL
9	016410	2	CS .375-16 X 2.00 HX G5
10	117532	2	DECK LIFT LINK
11	016899	2	NT .375-16 HX FLK G5
12	601839	1	PIVOT SPACER BUSHING
13	605016	1	DECK LEVELING NUT
14	116155	2	DECK LINK
15	116911	1	LEVELER CAM
16	767954	1	FW .379 X .813 X .063
17	706168	1	NT .375-16 HX JAM G5 Z
18	781567	2	NT .500-13 HX G8 ZY NL
19	767962	4	FW .531 X 1.063 X .175
20	788166	2	PLASTIC WHEEL ASSEMBLY
21	603995	3	BLADE, 17.86"-M-F-CW
	783753	3	BLADE, 17.86"-L-F-CW
	787721	3	BLADE, 17.86"-H-F-CW
	603848	3	BLADE, 17.86"-CAT-F-CW
	794198	3	BLADE, 17.86"-MUL-F-CW
	785436	3	BLADE, 17.86"-GAT-F-CW
22	602680	3	FW .453 X 1.12 X .119 HRD
23	754101	3	CS .437-20 X 1.25 HX G5 ZNY
24	781708	1	CS .500-13 X 4.25 HX G5
25	031997	1	PLASTIC WHEEL
26	053199	1	NT .500-13 HX JAM ZNYC

NOTES:

1. Torque to 48 ft-lbs.
2. Torque to 8 ft-lbs on these 4 self-tapping screws.
3. Do not torque; the discharge chute must pivot freely.

52" Deck Lift



52" Deck Lift

INDEX NO.	PART NO.	QTY.	DESCRIPTION
1	120677	1	LIFT HANDLE
2	116151	2	PIVOT BLOCK
3	029629	8	CS .375-16 X .75 HX FLK
4	016899	12	NT .375-16 HX G5 FLK
5	604377	1	GRIP
6	116916	2	DECK LINK PLATE
7	027714	1	CE .500 X 1.25 .156 X 1.093
8	017251	1	CP .156D X 1.00 LG HML Z
9	767962	2	FW .531 X 1.063 X .175
10	601839	2	PIVOT SPACER BUSHING
11	005116	2	CS .375-16 X 1.375 HX G5
12	029751	2	CS .375-16 X 1.00 HX FLK
13	604515	2	NT .375-16 FL NY GF
14	121232	1	DECK PIVOT KIT

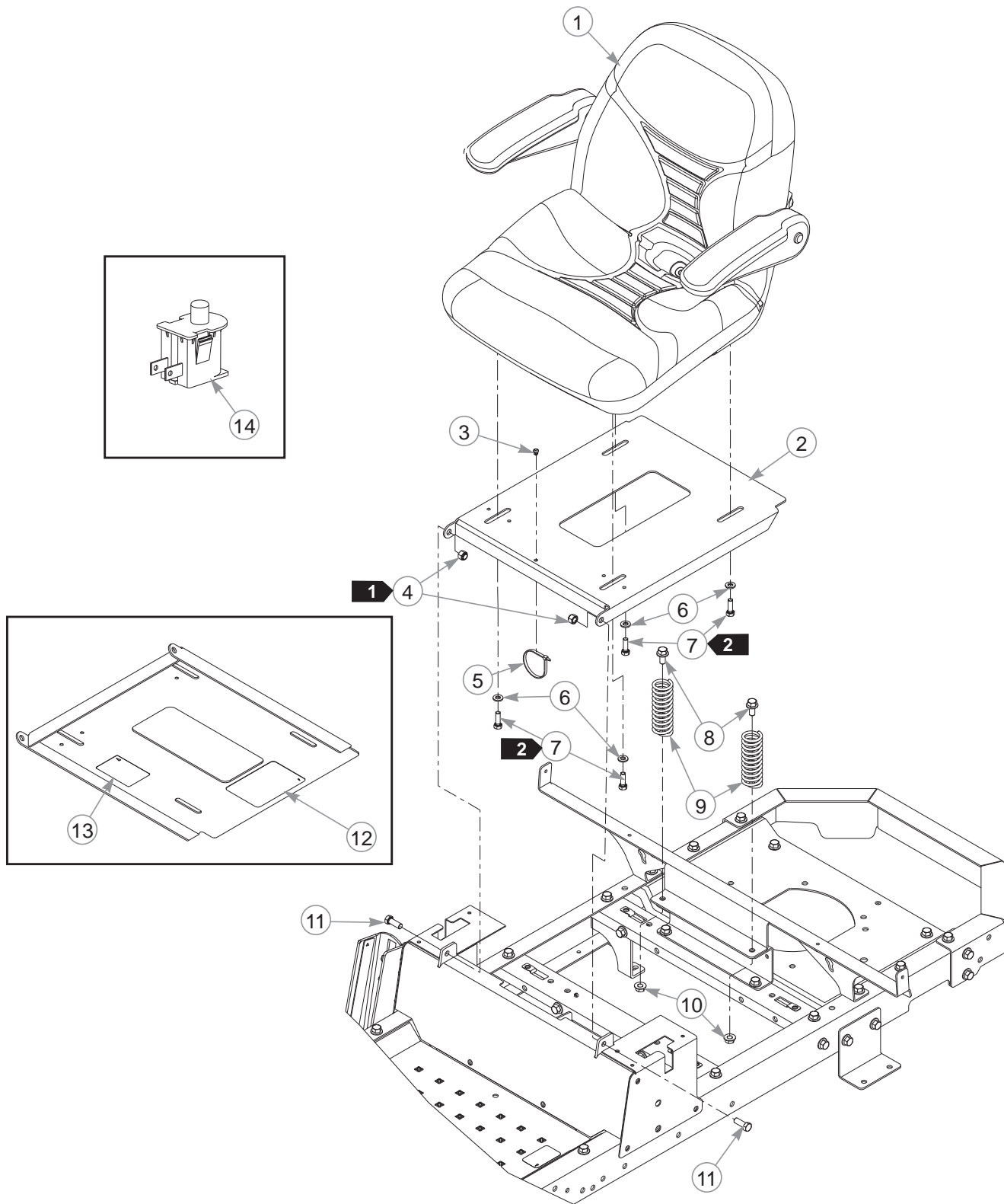
NOTES:

1. Part of the Steering Cover Assembly.

Section 7

Seat—With Armrests	7-2
Seat—Without Armrests	7-4
Seat Service Parts—Seats With Armrests.	7-6

Seat—With Armrests



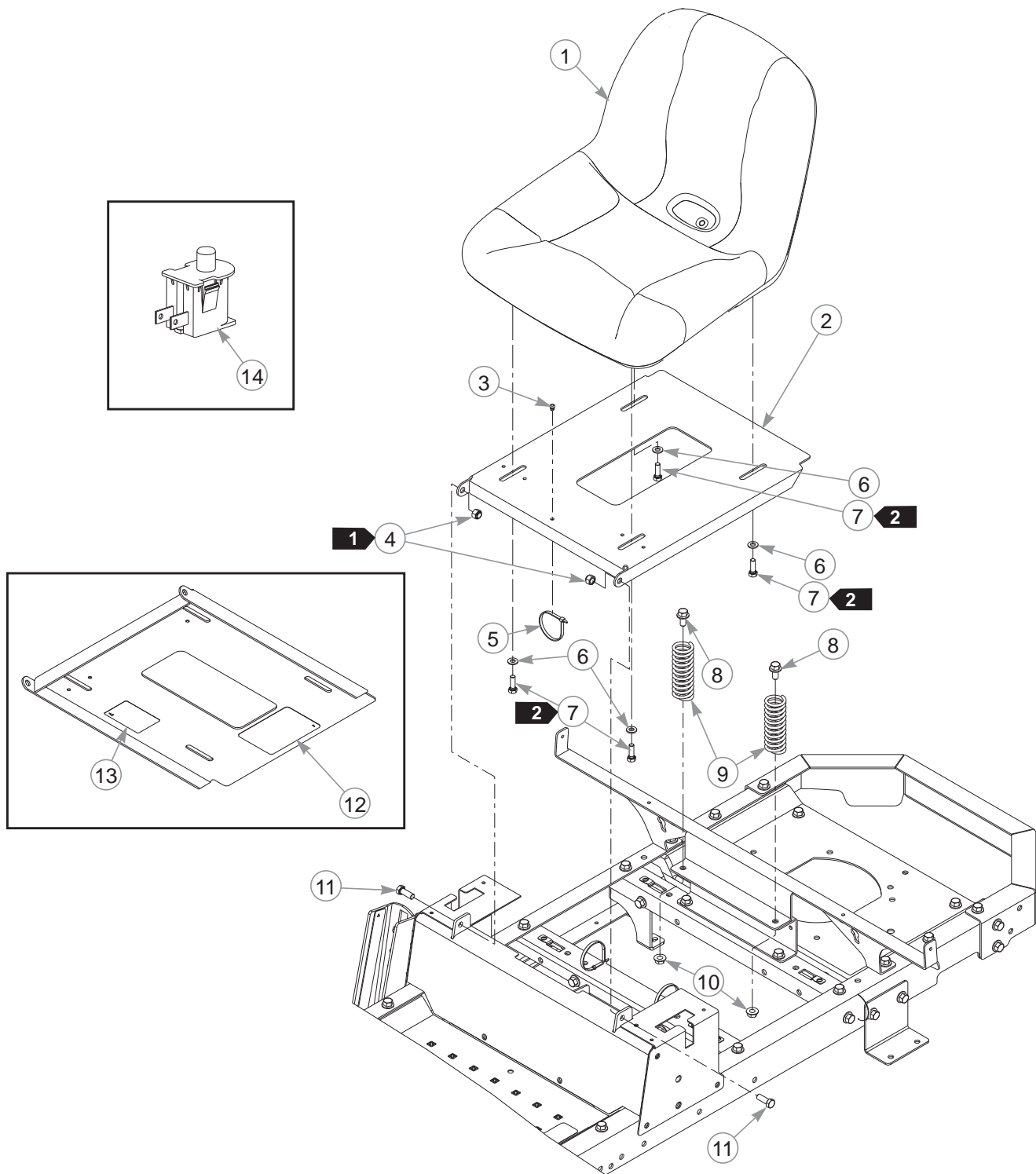
Seat—With Armrests

INDEX NO.	PART NO.	QTY.	DESCRIPTION
1	792226	1	STANDARD SEAT
2	551897	1	SEAT PAN (WITH DECALS)
3	604307	1	PUSH BUTTON MOUNT
4	086660	2	NT .375-16 HX G5 ZY NL
5	000331	1	WIRE TIE
6	768523	4	FW .343 X .687 X .051/.080H
7	036236	4	CS .312-18 X 1.00 HX G5
8	029629	2	CS .375-16 X .75 HX FLK
9	793851	2	COMPRESSION SPRING 1.25 X 4.00 X .188
10	016899	2	NT .375-16 HX G5 FLK
11	036244	2	CS .375-16 X 1.00 HX G5
12	601815	1	BATTERY WARNINGS DECAL
13	602243	1	BELT ROUTING DECAL (36" & 42" DECKS)
	781419	1	BELT ROUTING DECAL (52" DECKS)
14	793315	1	SEAT SWITCH

NOTES:

1. Do not torque; the seat pan must pivot freely.
2. Torque to 7 ft-lbs.

Seat—Without Armrests



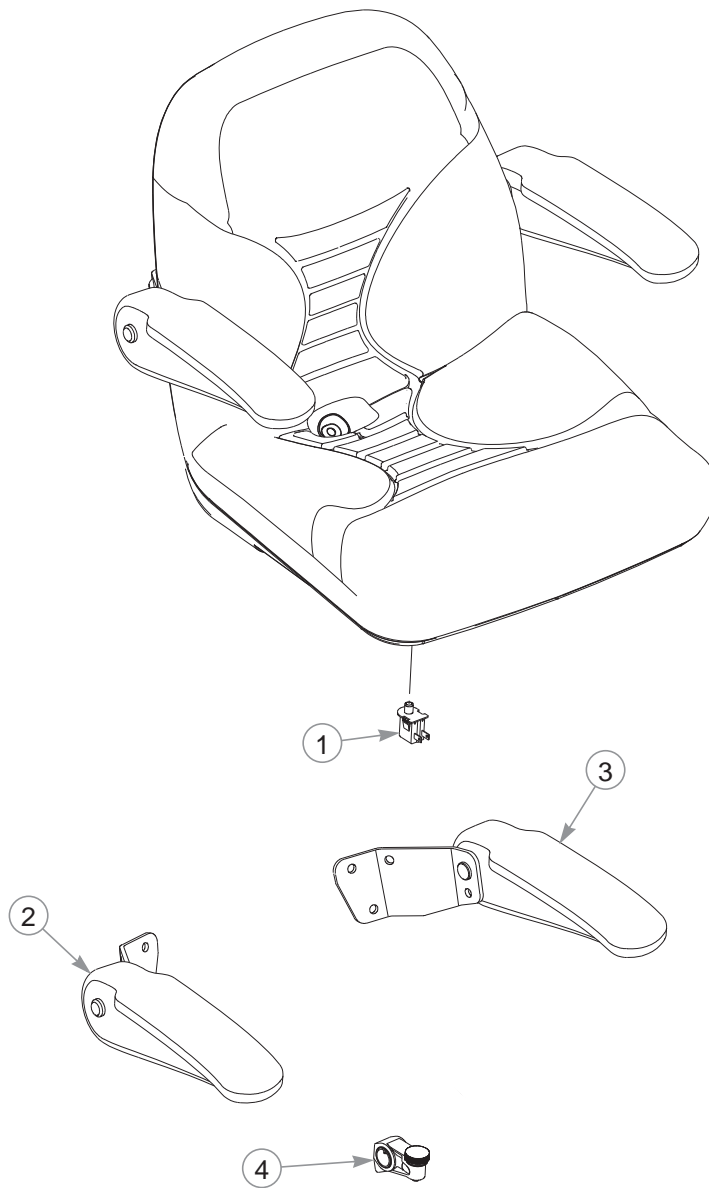
Seat—Without Armrests

INDEX NO.	PART NO.	QTY.	DESCRIPTION
1	601807	1	STANDARD SEAT
2	551897	1	SEAT PAN (WITH DECALS)
3	604307	1	PUSH BUTTON MOUNT
4	086660	2	NT .375-16 HX G5 ZY NL
5	000331	1	WIRE TIE
6	768523	4	FW .343 X .687 X .051/.080H
7	036236	4	CS .312-18 X 1.00 HX G5
8	029629	2	CS .375-16 X .75 HX FLK
9	793851	2	COMPRESSION SPRING 1.25 X 4.00 X .188
10	016899	2	NT .375-16 HX G5 FLK
11	036244	2	CS .375-16 X 1.00 HX G5
12	601815	1	BATTERY WARNINGS DECAL
13	602243	1	BELT ROUTING DECAL (42" DECK)
	781419	1	BELT ROUTING DECAL (52" DECK)
14	793315	1	SEAT SWITCH

NOTES:

1. Do not torque; the seat pan must pivot freely.
2. Torque to 7 ft-lbs.

Seat Service Parts—Seats With Armrests



INDEX NO.	PART NO.	QTY	DESCRIPTION
1	793315	1	SEAT SWITCH
2	604459	1	RS ARMREST KIT (PLASTIC BACK SEATS ONLY)
3	604458	1	LS ARMREST KIT (PLASTIC BACK SEATS ONLY)
4	793273	2	ARMREST STOP ASSEMBLY

NOTES: