

Gas Risers and Transition Fittings



Elster Perfection service line risers and transition fittings

In 1972, we developed the natural gas industry's first combination plastic/steel anodeless service line riser.

The first gas service line riser is still the best for providing utilities a safer and more economical means of distributing natural gas. Since its introduction, nearly 20 million Elster Perfection risers have been installed throughout the world.

Elster Perfection now produces a wide variety of riser products designed to meet your unique installation requirements:

Anodeless service line risers

Our risers enable you to make a permanent meter set connection that requires no cathodic protection . . . available with Permasert® coupling or fusion outlets and single or double seals.

Custom risers

We offer a wide variety of "standard" options allowing you to economically customize a riser to meet your specific requirements . . . from sizes and materials to configurations and accessories.

Servi-Sert® risers

Servi-Sert top-connected anodeless risers outperform all other service-head adapter style risers for safety and ease of installation. These risers are available in flexible and prebent models.

Transition fittings

Our steel-to-polyethylene transition fittings provide a pull-out strength greater than the PE tubing to which they're connected.



Anodeless Service Line Risers

Elster Perfection anodeless service line risers provide an easy-to-install method for making polyethylene-to-steel transitions.

Benefits

- All Elster Perfection risers are coated end-to-end for superior corrosion resistance
- Easy-to-install, safe plastic-to-steel transition
- No cathodic protection required
- Available with Permasert® couplings or fusion outlets
- Available with below grade secondary fire seal
- Prebent, straight or flexible configurations
- Protective end-to-end coatings available including electrostatically applied epoxy powder or galvanized zinc
- Available in metric sizes
- Available with pre-installed gascock



Our prefabricated risers give you the confidence of knowing you've made a safe, permanent meter set connection. These risers feature our unique design, locking the PE tubing in place with pull-to-destruction strength. In addition, our double seal risers allow you the added security of a below ground, fire-safe secondary seal.

Elster Perfection anodeless service line risers eliminate underground corrosion concerns and require no cathodic protection. Our durable risers utilize steel pipe casings and polyethylene tubing per your specification. The underground portion of the riser casing is equipped with a combination moisture seal/shear protection fitting. Elster Perfection anodeless risers are available in prebent, straight or flexible casing configurations and with Permasert coupling or fusion outlets. A wide variety of options (detailed on the next page) enable you to customize your riser to satisfy your specific requirements.

Testing and Compliance

Time proven Elster Perfection anodeless risers receive extensive testing to ensure safe and reliable performance in the field, including a factory leak test to 150 psi. The gas-carrying steel pipe nipple meets the requirements of A53 pipe. All Elster Perfection risers meet or exceed the requirements of ASTM D 2513 category 1, ASTM F 1973, ANSI B 1.20, ANSI B 31.8, US DOT Part 192, NFPA-58 and CSA B137.4.



Servi-Sert® top connected risers are easy to install and provide permanent, leak-free seals



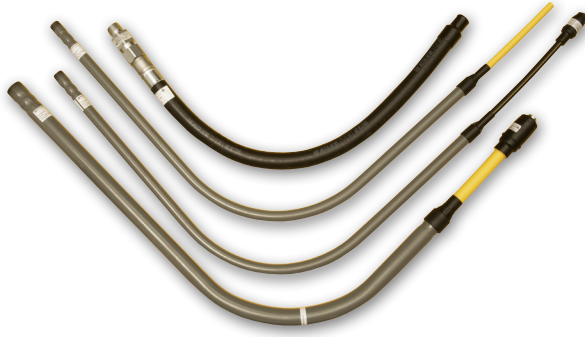
Elster Perfection risers are available with a wide range of coatings and configurations



PELT™ extended life risers protect against corrosion and premature failure

Gas Risers and Transition Fittings

Elster Perfection offers a wide variety of "standard" options that allow you to customize easily and economically.



Custom Anodeless Risers

Ordering an anodeless riser to your exact specifications can be a difficult and expensive option, often with unacceptably long delivery times. Not with Elster Perfection. We offer a wide variety of "standard" options that allow you to customize your riser easily and economically. If you don't see an option you'd like, just ask. We will produce your riser in virtually any size, material and configuration . . . all with timely delivery.

Size

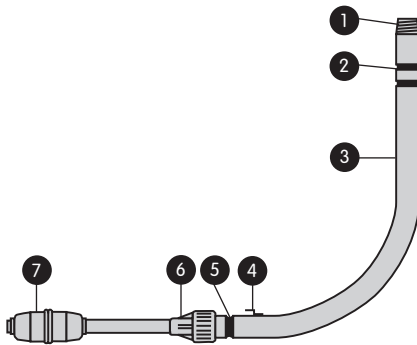
Pipe: 1/2" IPS to 12" IPS ASTM A53 type F or E grade A, schedule 40 and 80

Tubing: 1/2" CTS to 12" IPS medium or high density polyethylene

Outlets

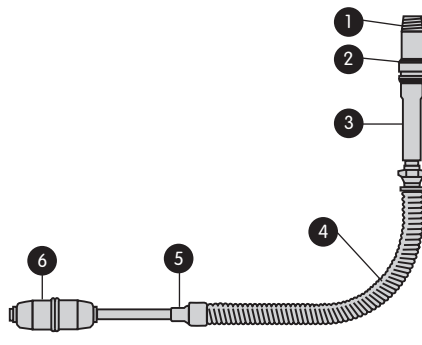
Threaded	Weld-end
Flange	By-pass

Single or double seal riser



- 1 NPT Threads
- 2 Primary Gas Seal
- 3 Steel Pipe Casing
- 4 Trace Wire Clip (opt.)
- 5 Secondary Gas Seal (opt.)
- 6 Moisture Seal
- 7 Permasert® Coupling (opt.)

Flexible riser

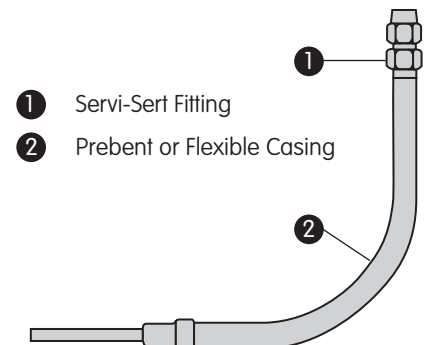


- 1 NPT Threads
- 2 Primary Gas Seal
- 3 Steel Pipe Casing
- 4 Flexible Casing (opt.)
- 5 Moisture Seal
- 6 Permasert® Coupling (opt.)

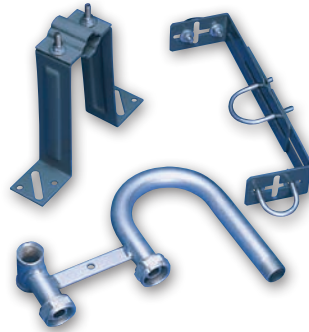
Servi-Sert® Top Connected Riser

The easy-to-install Servi-Sert riser is an extremely safe, top-connected riser appropriate for both new construction and PE service line renewals. Servi-Sert fittings function on the same principle as our Permasert couplings, providing a permanent, leak-free seal... outperforming conventional service head fittings. One-piece Servi-Sert fittings feature a pull-out strength greater than the connected PE tubing and are zinc plated for extra protection against corrosion. Servi-Sert fittings are available separately for field assembly.

- Threaded outlet sizes from 1/2" NPT to 1-1/2" NPT
- PE inlets from 1/2" CTS to 1-1/4" IPS
- Prebent or flexible configurations
- Metric sizes available
- Meets or exceeds the requirements of ASTM D 2513 category 1, ANSI B1.20, ANSI B 31.8, US DOT Part 192, NFPA-58 and CSA B137.4.



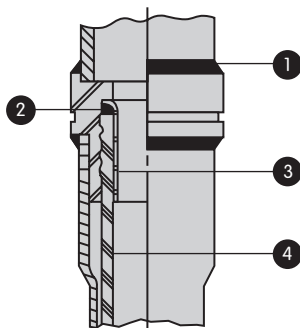
- 1 Servi-Sert Fitting
- 2 Prebent or Flexible Casing



Transition Fittings

Elster Perfection transition fittings provide a pull-out strength greater than the PE tubing to which they are connected. These fittings ensure a positive seal making them ideal for gas applications requiring a steel-to-polyethylene transition. All Elster Perfection transition fittings are laboratory and field tested for regulatory compliance.

- Threaded, weld-end and flanged
- Sizes from 1/2" IPS x 1/2" CTS to 12" IPS x 12" IPS
- Meets or exceeds the requirements of ASTM D 2513 category 1, ASTM F 1973, ANSI B 1.20, ANSI B 31.8, US DOT Part 192, and CSA B137.4.



- 1 Pressure-Tested Weld
- 2 Gasket
- 3 Stiffener
- 4 PE Tubing

Installation Accessories

To assist your riser and meter set installation, Elster Perfection offers a variety of meter support systems, mounting brackets, and prefabricated meter sets and components. Our remote meter support systems, wall brackets and universal brackets are constructed of hot-rolled commercial grade steel for use above and below ground. These components receive a gray epoxy coating for corrosion protection.

In addition, Elster Perfection offers a complete line of prefabricated meter sets, loops, bends and meter manifolds.

