

# Door Hardware Lock Specifications

## Directory

<i>Lock Type</i>	<i>Page</i>
Exterior Mortise Lock Specifications .....	2
2.5" Backset Mortise Locks Specification .....	3
2.5" Backset Mortise Lock Functions (6301, 6310, 6315, 6318, 6320, 6321, 6325, 6375) .....	4-5
2.75" Backset Mortise Locks Specification .....	6
2.75" Backset Mortise Lock Functions (6001, 6010, 6020, 6021, 6025, 6030, 6055, 6075, 6100, 6110).....	7-9
2.5" Backset Interior Mortise Lock Functions (8530, 8535, 8540, 8545) .....	10
Armored Front Specifications (6000, 6800, 6802, 6301, 6310, 6318).....	11
Mortise Strikes Specifications (6040, 6340, 6039, 6339) .....	12
Mortise Bolt Specifications (0413, 0418) .....	13
Entry Tubular Handleset Latch Specifications (5300) .....	14
Tubular Latch — Passage/Privacy Specifications (5510, 5512, 5513, 5515, 5520, 5522, 5523, 5525) (5510P, 5512P, 5513P, 5515P, 5520P, 5522P, 5523P, 5525P).....	15-16
Tubular Latch Strikes Specifications (5510) .....	17
Deadbolt Latch Specifications (8000, 8201, 8208) .....	17
Mortise Cylinder Specifications (8324, 8325, 8326, 8327, 8328)	
Tubular Cylinder Specifications (8031) .....	19
Spindle Specifications (10021, 10119, 10103, 0530, 11507, 11508) .....	20-21
Surface Bolt Strike Specifications (10552, 10562, 10553, 10563).....	22

# Exterior Mortise Locks

## Lock Specifications

**Construction:** Refer to Section h of this catalog.

**Backsets:** Available 2.5" (64mm)–2.75" (70mm) for knobs and levers. Contact customer service for special applications.

**Keying:** All levels of keying including construction keying are available. Refer to Section k of this catalog. Contact customer service for special applications.

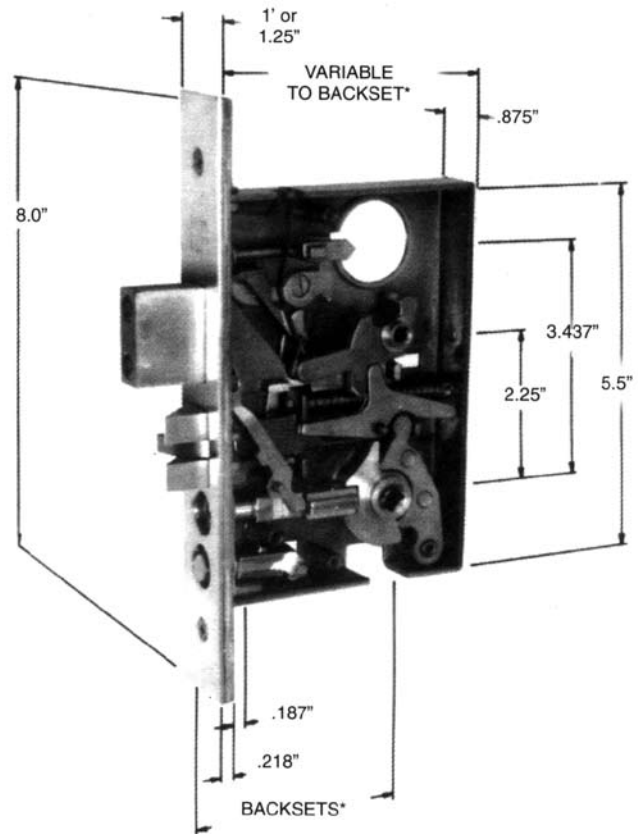
**Strike:** Base metal of Brass and finished to match. Supplied to ANSI standard A115.1, 1.25" (32mm) lip-to-center. Locks furnished standard with straight lip strike (Universal) and dust box. Curved lip and special length strikes available. All *keyed* lock functions are furnished standard with a high grade **steel security strike** and two 3" steel screws.

**Rabbeted Strike:** Available for .5" (13mm) rabbet only on rabbeted door conditions.

**Template:** Metal doors/frames to be prepared in accordance with ANSI A115.1 or A115.11. *Face cutouts are subject to variation. always review trim requirements before door preparation.*

**Federal Specification:** Conforms to Federal Specification FF-H-106 Series 86/87 and to all Performance and Structural Specifications of ANSI A156.13, Series 1000, Grade 1 and/or Grade 3.

**Door Thickness:** 1.75" (44mm) thick is standard. For other door thicknesses, specify size.



## Standards of Excellence

- Conforms to Federal Specification FF-H-106 Series 86/87 and to all Performance and Structural Specifications of ANSI A156.13 Series 1000, Grade 1 and/or Grade 3.
- Most working parts are manufactured of solid forged-brass material, precisely machined for maximum strength and smooth, lifetime operation. (Forgings have a 250% greater tensile strength over castings.)
- All lock cases are constructed of heavy-gauge steel (.093"/2.4mm material) and plated with a protective rustproof coating to retard oxidation.
- Most lock functions are completely reversible within the field to facilitate installation.
- All locks and strikes are designed to fit standard preparation ANSI A115.1 or A115.11. Locks have adjustable forged-brass lock fronts, protected by armored scalp fronts for ultimate strength and protection against tampering.
- **All keyed** lock functions illustrated within this section are furnished with a specially-designed security strike constructed of high-grade steel for ultimate strength and durability. The security strike is mortised into the wood jamb and anchored to the structural components of the

opening with two 3" steel screws and covered with a finished strike to conceal the fasteners.

- All deadbolts are of forged-brass construction with 1" (25mm) throw when extended (2.5" and 2.75" backset locks) and two (hardened) steel inserts for maximum protection and security.
- 2.5" and 2.75" backset locks are furnished standard with an anti-friction latch bolt of .75" (19mm) throw and 1.25" (32mm) wide front. Only 2.5" (64mm) backset locks are available with 1" (25mm) wide front and solid latch bolt for narrow door conditions.
- All keys are designed with a 1.25" (32mm) wide bow surface to facilitate use by the disabled and physically-handicapped people.
- Our Design Department works closely with a number of America's most prestigious museums and historical foundations. Baldwin is renowned for meeting the stringent demands for quality and authenticity in the restoration/retrofit/rehabilitation markets.
- Numerous patents, copyrights, and trademarks are held by the Corporation to protect the integrity and reputation of our distinctive line of hardware appointments.

# 2.5" (64mm) Backset Mortise Locks

For Doors 1.375" (35mm)/1.75" (44mm) Thick and Over

**Lock Specifications:** Standardized heavy steel case is smooth, easy to mortise, and assures snug and solid fit in door mortise. Vital interior working parts are made of solid hot forged brass or steel for a lifetime of trouble-free operation. Armored front provides maximum strength and protection against tampering. Most lock functions are completely reversible. The bevel of front is adjustable from flat to standard bevel .125" on 2" (3mm on 51mm). Most metal door and frame manufacturers have provided reinforcements for Baldwin Mortise Locks.

**Steel Case:** .75" x 3.5" x 5.5" (19 x 89 x 140mm)

**Front\*:** Hot forged brass .218" x 1.25" x 8" (6 x 32 x 203mm). Adjustable for beveled conditions.

\*Optional 1" (25mm) front with .75" (19mm) solid latch bolt available for doors of 1.375" (35mm) in thickness. Furnished standard with a curved lip strike.

**Scalp:** Wrought brass and bronze, available in matching finishes.

**Anti-Friction Latch Bolt:** Hot forged brass .5" x 1" (13 x 25mm) x .75" (19mm) throw. Furnished in US4 and 26D finishes to match trim.

**Dead Bolt:** .5" x 1.25" (13 x 32mm) x 1" (25mm) throw with two saw-proof inserts. Furnished in US4 and 26D finishes to match trim.

**Hub Size:** .29" (7mm) with two-way rotation. Broached on the diamond. (One-way rotation on LS functions.)

**Backset:** 2.5" (64mm)

**Spacing:** center to center of:

Knob Hub to cylinder 3.437" (87mm)

Knob Hub to turn knob 2.25" (57mm)

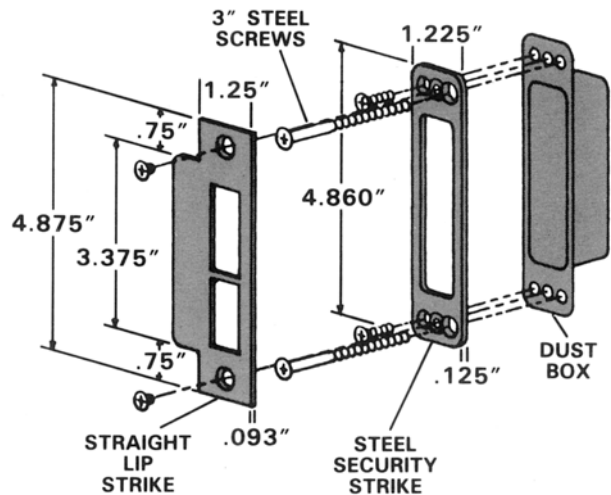
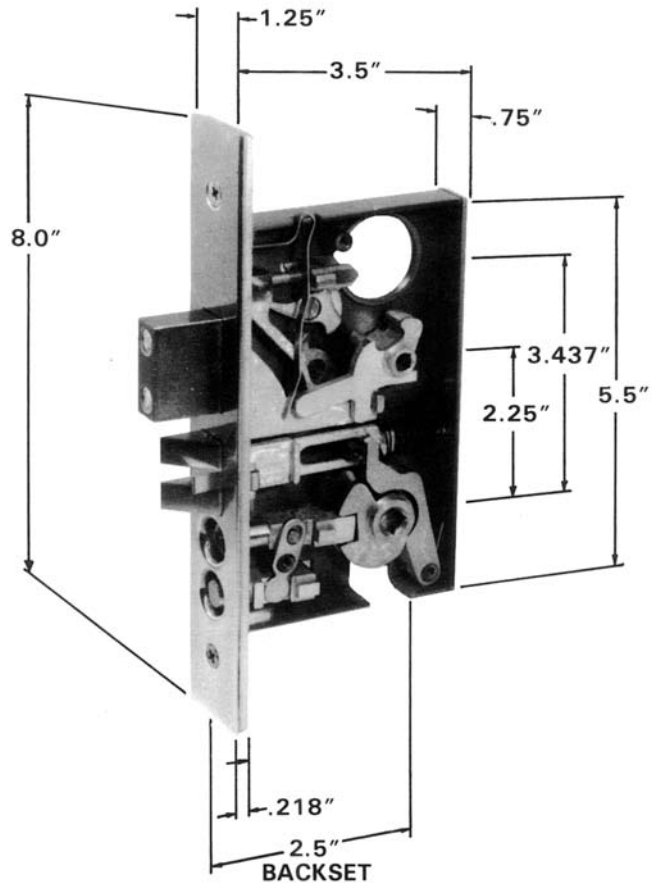
**Cylinder:** Standard mortise type with O3 keyway and two nickel silver keys. Lock furnished with product order. Parts sold separately.

**Keying:** All levels of keying including construction keying are available. Contact customer service for details.

**Strike:** Wrought brass and bronze finished to match. Supplied to ANSI standard A115.1, 1.25" (32mm) lip-to-center. Locks furnished standard with straight lip strike (Universal) and dust box. Curved lip and special length strikes available. All KEYED lock functions are furnished standard with a high grade **steel security strike** and two 3" steel screws.

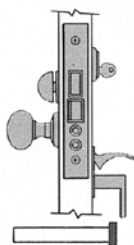
**Template:** Metal doors/frames to be prepared in accordance with ANSI A115.1 or A115.11. *Face cutouts are subject to variation. always review trim requirements before door preparation.*

**Federal Specification:** Conforms to Federal Specification FF-H-106 Series 86/87 and to all Performance and Structural Specifications of ANSI A156.13, Series 1000, Grade 1 and/or Grade 3.



2.5" Backset Mortise Lock

## 2.5" (64mm) Backset Mortise Locks



Inside Outside

No. 6320 Knob Function  
No. 6320-LS Lever Function

### Residential Entrance

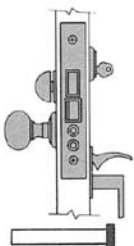
Latch bolt by thumb latch outside and knob inside, except when thumb latch is locked by stop in front; then latch bolt by key outside and knob inside. Dead bolt by key outside and turn knob inside. Continuous turn of key outside retracts both latch and dead bolt.

1" (25mm) throw dead bolt with saw-proof inserts is standard equipment. When extended, dead bolt deadlocks latch bolt.

**Weight:** 3 lbs. (1.36kg)

**NOTE:** *May be used in single and double cylinder applications.*

#### STANDARD FEATURES



Inside Outside

No. 6321 Knob Function  
No. 6321-LS Lever Function

### Residential Entrance—Emergency Egress

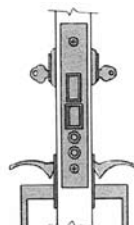
Latch bolt by thumb latch outside and knob inside, except when thumb latch is locked by stop in front; then latch bolt by key outside and knob inside. Dead bolt by key outside and turn knob inside. When dead bolt is thrown, stop is automatically activated making outside thumb latch rigid. Inside knob retracts latch and dead bolt simultaneously but DOES NOT free outside thumb latch.

1" (25mm) throw dead bolt with saw-proof inserts is standard equipment. When extended, dead bolt deadlocks latch bolt.

**Weight:** 3 lbs. (1.36kg)

**NOTE:** *Lock function is not reversible - specify hand. Not recommended for double cylinder applications.*

#### STANDARD FEATURES



Inside Outside

No. 6325

### Entrance

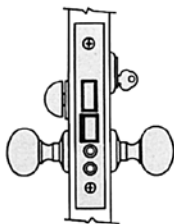
Latch bolt by thumb piece from either side, except when outside thumb piece is locked by stop in front; then latch bolt by key either side and thumb piece inside. Dead bolt by key either side, continuous turn of key retracts both latch and dead bolt.

1" (25mm) throw dead bolt with saw-proof inserts is standard equipment. When extended, dead bolt deadlocks latch bolt.

**Weight:** 3.3 lbs. (1.50kg)

**NOTE:** *To order and price complete trim sets, order two sets of exterior handle trim in "BBXX" configuration. Baldwin turn piece cylinder 844X. XXX may be used for interior.*

#### STANDARD FEATURES



Inside Outside

No. 6301 Knob Function  
No. 6301-LS Lever Function

### Entrance and Apartment

Latch bolt by knob from either side, except when outside knob is locked by stop in front; then latch bolt by key outside and knob inside. Dead bolt by key outside and turn piece inside. Continuous turn of key outside retracts both latch and dead bolt.

1" (25mm) throw dead bolt with saw-proof inserts is standard equipment. When extended, dead bolt deadlocks latch bolt.

**Weight:** 3 lbs. (1.36kg)

**NOTE:** *May be used in single and double cylinder applications.*

#### STANDARD FEATURES



# 2.5" (64mm) Backset Mortise Locks



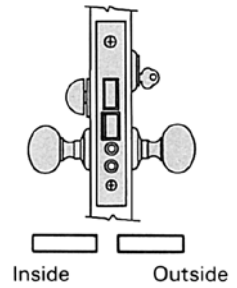
## Residential Entrance—Emergency Egress

Latch bolt by knob from either side, except when outside knob is locked by stop in front; then latch bolt by key outside and knob inside. Dead bolt by key outside and turn piece inside. When dead bolt is thrown, stop is automatically activated making outside knob rigid. Inside knob retracts latch and dead bolt simultaneously but DOES NOT free outside knob.

1" (25mm) throw dead bolt with saw-proof inserts is standard equipment. When extended, dead bolt deadlocks latch bolt.

**Weight:** 3 lbs. (1.36kg)

**NOTE:** Lock function is not reversible - specify band.  
Not recommended for double cylinder applications.



**No. 6375 Knob Function**  
**No. 6375-LS Lever Function**



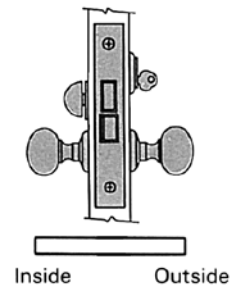
## Entrance and Storeroom

Latch bolt by knob from either side. Dead bolt by key outside and turn piece inside.

1" (25mm) throw dead bolt with saw-proof inserts is standard equipment. When extended, dead bolt deadlocks latch bolt.

**Weight:** 2.8 lbs. (1.27kg)

**NOTE:** May be used in single or double cylinder applications.

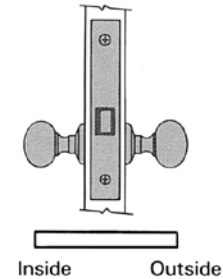


**No. 6310 Knob Function**  
**No. 6310-LS Lever Function**

## Passage

Latch bolt by knob either side.

**Weight:** 2.5 lbs. (1.13kg)



**No. 6318 Knob Function**  
**No. 6318-LS Lever Function**



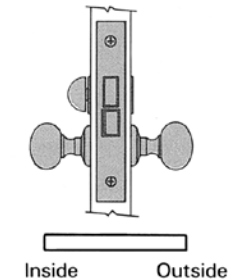
## Bathroom and Bedroom

Latch bolt by knob either side. Dead bolt by turn piece inside and emergency key No. 0417 outside.

1" (25mm) throw dead bolt with saw-proof inserts is standard equipment. When extended, dead bolt deadlocks latch bolt.

**Weight:** 2.8 lbs. (1.27kg)

**\*NOTE:** For patio function, do not specify emergency release trim.



**No. 6315\* Knob Function**  
**No. 6315-LS Lever Function**

## 2.75" (70mm) Backset Mortise Locks

*For Doors 1.75" (44mm) Thick and Over*

**Lock Specifications:** Standardized heavy steel case is smooth, easy to mortise, and assures snug and solid fit in door mortise. Vital interior working parts are made of solid hot forged brass or steel for a lifetime of trouble-free operation. Armored front provides maximum strength and protection against tampering. Most lock functions are completely reversible. The bevel of front is adjustable from flat to standard bevel .125" on 2" (3mm on 51mm). Most metal door and frame manufacturers have provided reinforcements for Baldwin Mortise Locks.

**Steel Case:** .875" x 4" x 5.5" (22 x 102 x 140mm)

**Front:** Hot forged brass .218" x 1.25" x 8" (6 x 32 x 203mm). Adjustable for beveled conditions.

**Scalp:** Wrought brass and bronze, available in matching finishes.

**Anti-Friction Latch Bolt:** Hot forged brass .625" x 1" (16 x 25mm) x .75" (19mm) throw. Furnished in US4 and 26D finishes to match trim. Solid latch bolt is available and when ordered, is furnished with a curved lip strike.

**Dead Bolt:** .5" x 1.25" (13 x 32mm) x 1" (25mm) throw with two saw-proof inserts. Furnished in US4 and 26D finishes to match trim.

**Hub Size:** .29" (7mm) with two-way rotation. Broached on the diamond. (One-way rotation on LS functions).

**Backset:** 2.75" (70mm)

**Spacing:** center to center of:

Knob Hub to cylinder 3.437" (87mm)

Knob Hub to turn knob 2.25" (57mm)

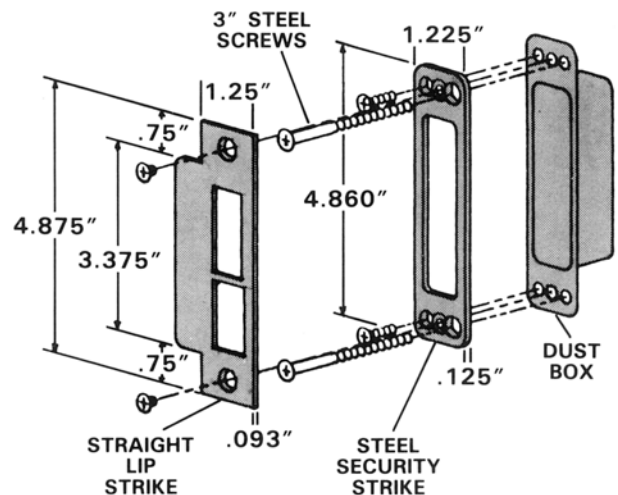
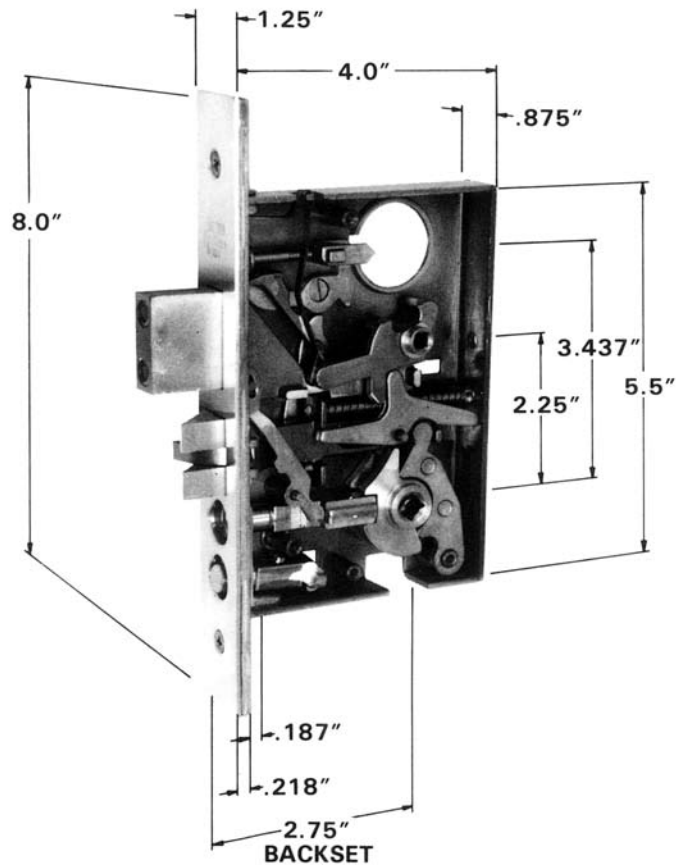
**Cylinder:** Standard mortise type with 03 keyway and two nickel silver keys. Lock furnished with product order. Parts sold separately.

**Keying:** All levels of keying including construction keying are available. Contact customer service for details.

**Strike:** Wrought brass and bronze finished to match. Supplied to ANSI standard A115.1, 1.25" (32mm) lip-to-center. Locks furnished standard with straight lip strike (Universal) and dust box. Curved lip and special length strikes available. All KEYED lock functions are furnished standard with a high grade **steel security strike** and two 3" steel screws.

**Template:** Metal doors/frames to be prepared in accordance with ANSI A115.1 or A115.11. *Face cutouts are subject to variation. always review trim requirements before door preparation.*

**Federal Specification:** Conforms to Federal Specification FF-H-106 Series 86/87 and to all Performance and Structural Specifications of ANSI A156.13, Series 1000, Grade 1 and/or Grade 3.



## 2.75" (70mm) Backset Mortise Locks

### STANDARD FEATURES



### *Residential Entrance*

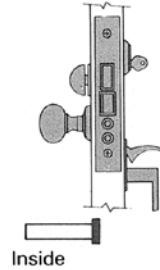
Latch bolt by thumb latch outside and knob inside, except when thumb latch is locked by stop in front; then latch bolt by key outside and knob inside. Dead bolt by key outside and turn knob inside. Continuous turn of key outside retracts both latch and dead bolt.

1" (25mm) throw dead bolt with saw-proof inserts is standard equipment. When extended, dead bolt deadlocks latch bolt.

**Weight:** 3 lbs. (1.36 kg)

**Federal Specification Equivalent:** Government Type: 122A

**NOTE:** *May be used in single and double cylinder applications.*



**No. 6020 Knob Function**  
**No. 6020-LS Lever Function**

### STANDARD FEATURES



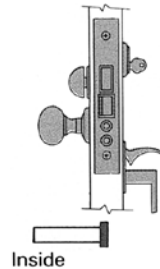
### *Residential Entrance — Emergency Egress*

Latch bolt by thumb latch outside and knob inside, except when thumb latch is locked by stop in front; then latch bolt by key outside and knob inside. Dead bolt by key outside and turn knob inside. When dead bolt is thrown, stop is automatically activated making outside thumb latch rigid. Inside knob retracts latch and dead bolt simultaneously but DOES NOT free outside thumb latch.

1" (25mm) throw dead bolt with saw-proof inserts is standard equipment. When extended, dead bolt deadlocks latch bolt.

**Weight:** 3 lbs. (1.36kg)

**NOTE:** *Not recommended for double cylinder applications.*



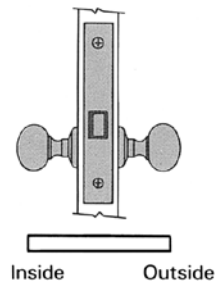
**No. 6021 Knob Function**  
**No. 6021-LS Lever Function**

### *Passage*

Latch bolt by knob either side.

**Weight:** 2.6 lbs. (1.18kg)

**Federal Specification Equivalents:** ANSI Series: 1000-F01



**No. 6110 Knob Function**  
**No. 6110-LS Lever Function**

### STANDARD FEATURES



### *Entrance and Storeroom*

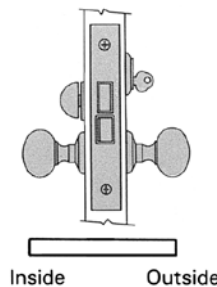
Latch bolt by knob either side. Deadbolt by key outside and turn piece inside.

1" (25mm) throw dead bolt with saw-proof inserts is standard equipment. When extended, dead bolt deadlocks latch bolt.

**Weight:** 3 lbs. (1.36kg)

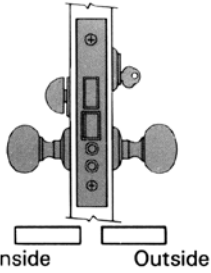
**Federal Specification Equivalents:** ANSI Series: 1000-F21

**NOTE:** *for single and double cylinder applications.*



**No. 6010 Knob Function**  
**No. 6010-LS Lever Function**

## 2.75" (70mm) Backset Mortise Locks



No. 6001 Knob Function  
No. 6001-LS Lever Function

### Entrance and Apartment

Latch bolt by knob from either side, except when outside knob is locked by stop in front; then latch bolt by key outside and knob inside. Dead bolt by key outside and turn piece inside. Continuous turn of key outside retracts both latch and dead bolt.

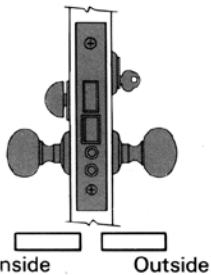
1" (25mm) throw dead bolt with saw-proof inserts is standard equipment. When extended, dead bolt deadlocks latch bolt.

**Weight:** 3 lbs. (1.36kg)

**Federal Specification Equivalents:** ANSI Series: 1000-F08/F10

**NOTE:** For single and double cylinder applications.

#### STANDARD FEATURES



No. 6075 Knob Function  
No. 6075-LS Lever Function

### Entrance—Emergency Egress

Latch bolt by knob from either side, except when outside knob is locked by stop in front; then latch bolt by key outside and knob inside. Dead bolt by key outside and turn piece inside. When dead bolt is thrown, stop is automatically activated making outside knob rigid. Inside knob retracts latch and dead bolt simultaneously but DOES NOT free outside knob.

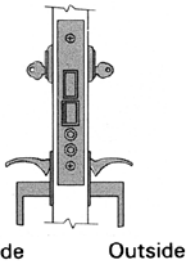
1" (25mm) throw dead bolt with saw-proof inserts is standard equipment. When extended, dead bolt deadlocks latch bolt.

**Weight:** 3 lbs. (1.36kg)

**Federal Specification Equivalents:** ANSI Series: 1000-F12/F20

**NOTE:** Not recommended for double cylinder applications.

#### STANDARD FEATURES



No. 6025

### Back-to-Back Entrance

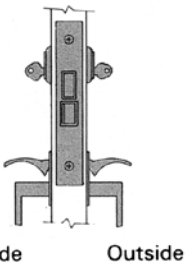
Latch bolt by thumb piece from either side, except when outside thumb piece is locked by stop in front, then latch bolt by key either side and thumb piece inside. Dead bolt by key either side, continuous turn of key retracts both latch and dead bolt.

1" (25mm) throw dead bolt with saw-proof inserts is standard equipment. When extended, dead bolt deadlocks latch bolt.

**Weight:** 3.3 lbs. (1.50kg)

**NOTE:** To order and price complete trim sets, order two sets of exterior handle trim in "BBXX" configuration. Baldwin turnpiece cylinder 844X. XXX may be used for interior.

#### STANDARD FEATURES



No. 6030

### Public Entrance

Latch bolt by thumb piece either side. Dead bolt by key either side.

1" (25mm) throw dead bolt with saw-proof inserts is standard equipment. When extended, dead bolt deadlocks latch bolt.

**Weight:** 3.3 lbs. (1.50 kg)

**Federal Specification Equivalents:** ANSI Series: 1000-F25

**NOTE:** To order and price complete trim sets, order two sets of exterior handle trim.

#### STANDARD FEATURES





# 2.75" (70mm) Backset Mortise Locks

## STANDARD FEATURES



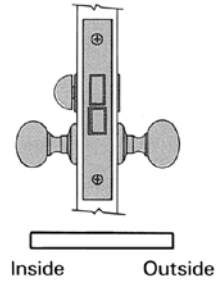
### *Bathroom and Bedroom*

Latch bolt by knob either side. Dead bolt by turn piece inside and emergency key No. 0417 outside.

1" (25mm) throw dead bolt with saw-proof inserts is standard equipment. When extended, dead bolt deadlocks latch bolt.

**Weight:** 2.8 lbs. (1.27kg)

**Federal Specification Equivalents:** ANSI Series: 1000-F02



**No. 6100 Knob Function**  
**No. 6100-LS Lever Function**

## STANDARD FEATURES



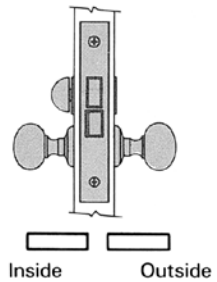
### *Privacy*

Latch bolt by knob either side. Dead bolt by turn piece inside and emergency key No. 0417 outside. Inside knob retracts latch and dead bolt simultaneously, automatically unlocking outside knob.

1" (25mm) throw dead bolt with saw-proof inserts is standard equipment. When extended, dead bolt deadlocks latch bolt.

**Weight:** 2.8 lbs. (1.27kg)

**Federal Specification Equivalents:** ANSI Series: 1000-F19



**No. 6055 Knob Function**  
**No. 6055-LS Lever Function**

# Interior Mortise Lock

**Features:** Case is formed from heavy gauge steel for strength and assures solid fit in mortise preparation. Vital interior working parts are made of solid hot forged brass for a lifetime of trouble-free operation. Completely reversible for all door conditions.

**Steel Case:** .625" x 3.375" x 3.75" (16 x 86 x 95mm)

**Front:** Hot-forged brass .156" x 1" x 5.75" (4 x 25 x 133mm). Adjustable for beveled conditions; finished to match.

**Latch Bolt:** .5" x .625" (13 x 16mm) x .5" (13mm) throw. Furnished in US4 and 26D finishes to match trim.

**Dead Bolt:** .5" x .75" (13 x 19mm) x .5" (13mm) throw. Furnished in US4 and 26D finishes to match trim.

**Hub Size:** .29" (7mm). Broached on the diamond.

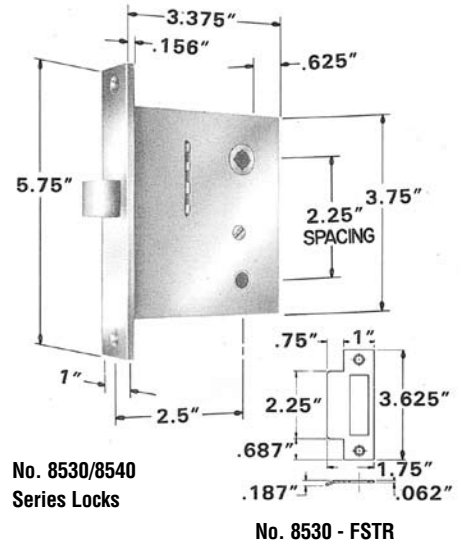
**Backset:** 2.5" (64mm)

**Spacing:** Knob hub to turn piece: 2.25" (57mm)

**Strike:** Specially-designed curved lip strike is fully reversible (non-handed); available in 1.25" (32mm) Lip to Center dimension only.

**Dust Box:** Box is furnished unattached; conceals installation marks and cutouts. (No. 8530-000)

**Packed:** One in a box with a strike, dust box, and fasteners.

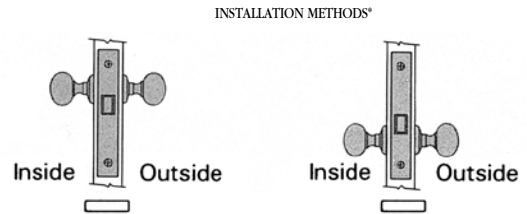


## Passage No. 8530

**Function:** Latch bolt by knob either side.

**Weight:** 1.2 lbs. (.54kg)

**\*Note:** Lock may be installed in either of the illustrated positions.

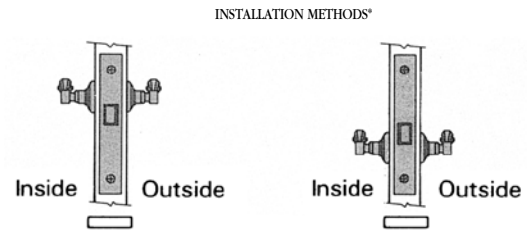


## Passage No. 8535

**Function:** Latch bolt by lever either side.

**Weight:** 1.2 lbs. (.54kg)

**\*Note:** Lock may be installed in either of the illustrated positions.

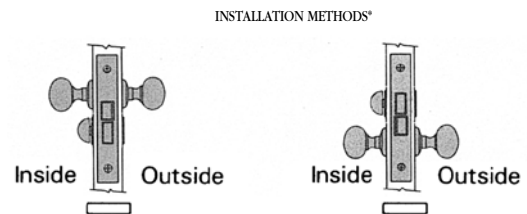


## Privacy No. 8540

**Function:** Latch bolt by knob either side. Dead bolt by turn piece inside and Emergency Key No. 0417 outside.

**Weight:** 1.5 lbs. (.68kg)

**\*Note:** Lock may be installed in either of the illustrated positions.



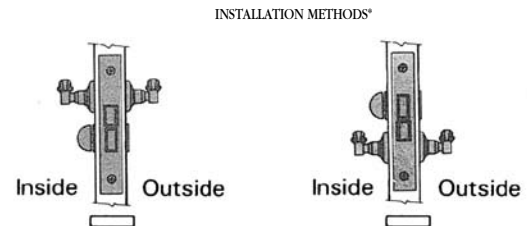
## Privacy No. 8545

**Function:** Latch bolt by lever either side.

Dead bolt by turn piece inside and Emergency Key No. 0417 outside.

**Weight:** 1.5 lbs. (.68kg)

**\*Note:** Lock may be installed in either of the illustrated positions.



**Ordering Instructions:** Locks are supplied as illustrated in left column. To install locks as illustrated in right column, specify the OPPOSITE HAND OF THE DOOR. Refer to Ordering Instructions in this catalog section. Turn Pieces and Emergency Release Trim must be ordered separately (NOT included in price of lock).

# Armored Fronts

## Armored Front— 1.25" (32mm)

**Features:** Removable armored fronts protect the lock against tampering of the cylinder yoke assembly. Available in all matching finishes of mortise locks.

**Ordering Instructions:** Specify part number indicated below and finish required.

**Important:** Fronts for use on 6000 Series Locks with 1.25" (32mm) wide front and .625" (16mm) wide latch bolt only.



6000 Series

## Armored Front— 1.25" (32mm)

**Features:** Removable armored fronts protect the lock against tampering of the cylinder yoke assembly. Available in all matching finishes of mortise locks.

**Ordering Instructions:** Specify part number indicated below and finish required.

**Important:** Fronts for use on 6800-6802 Series Locks (1.5" and 2" backset) Locks with a 1.25" (32mm) wide front and .5" (13mm) wide latch bolt.



6800 Series

## Armored Front— 1.25" (32mm)

**Features:** Removable armored fronts protect the lock against tampering of the cylinder yoke assembly. Available in all matching finishes of mortise locks.

**Ordering Instructions:** Specify part number indicated below and finish required.

**Important:** Fronts for use on 6300 Series Locks (2.5" backset only) with a 1.25" (32mm) wide front and .5" (13mm) wide latch bolt.



6300 Series

Part No.	Function
6301.XXX.0004	Latch/Dead Bolt/Stops
6310.XXX.0004	Latch/Dead Bolt
6318.XXX.0004	Latch
XXX - Insert Finish	

# Mortise Strikes

## Standard Latch — Deadbolt Function

**Size:** Base: 1.25" × 4.875" (32 × 124mm) × 1.25" (32mm) Lip-to-Center

**Thickness:** .093" (2.3mm), brass material.

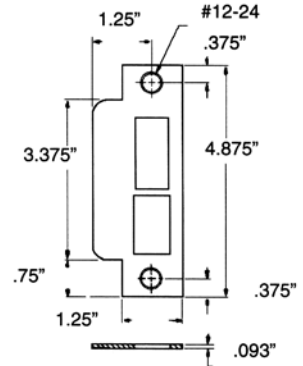
**Screws:** Furnished with No. 12 combination wood/machine screws, finished to match.

**Template:** Designed to fit metal/wood frames prepared in accordance to ANSI A115.1/A115.11.

**Features:** Furnished flat with rounded lip edges for universal use with left and right handed locks. Supplied standard with all locks incorporating an anti-friction latch bolt.

**Curved Lip:** Available with a curved lip at no additional charge. Supplied standard with all locks incorporating a solid-type latch bolt. *Always specify band of door.* Example: 6340. XXX.R. Please see ordering instructions in this section.

**Important:** No. 6040 - for use with locks incorporating a .625" (16mm) wide latch bolt (6000 Series). No. 6340 - for use with locks incorporating a .5" (13mm) wide latch bolt. (6300 Series and 6800 Series locks).



No. 6040 = 2 3/4 backset  
No. 6340 = 2 1/2 backset

## Extended Lip Strikes

**Size:** 1.25" × 4.875" (32 × 124mm) × Specified Lip-to-Center.

**Thickness:** .093" (2.3mm), brass material.

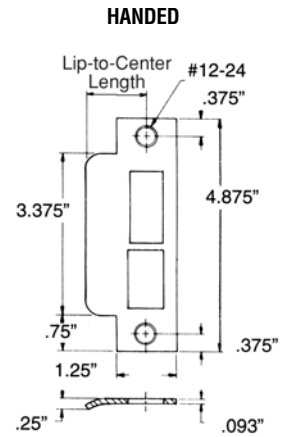
**Screws:** Furnished with No. 12 combination wood/machine screws, finished to match.

**Template:** Designed to fit metal/wood frames prepared in accordance to ANSI A115.1/A115.11.

**Features:** Designed for use with locks installed on special door and frame conditions. Supplied with a curved lip only. *Always specify band of door and required length.*

**Dimensions:** Available in the following Lip-to-Center lengths only: 1.625" (41mm); 1.875" (48mm); 2.25" (57mm); 3" (76mm).

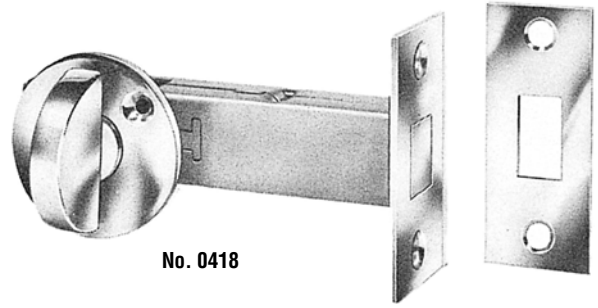
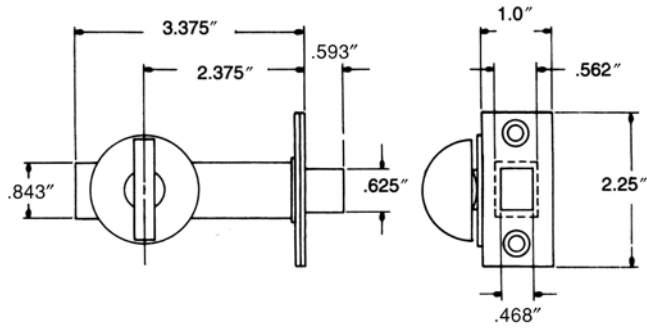
**Calculated Dimension:** Lip-to-Center length must be calculated by the following formula: Door thickness ÷ 2 + .375" (10mm) = Lip-to-Center length. Round to closest size.



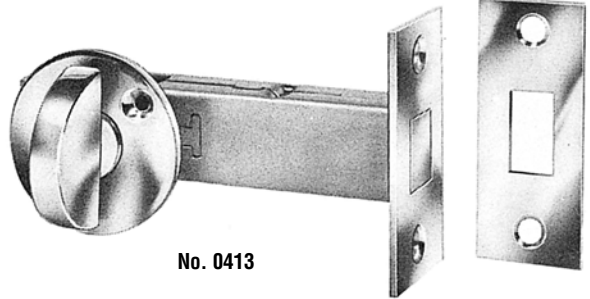
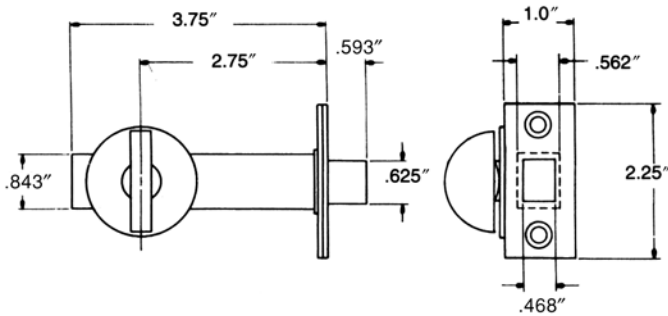
No. 6039 = 2 3/4 backset  
No. 6339 = 2 1/2 backset

Product Number	Latch Width	Strike Preparation Description	Lip-to-Center Length			
			1.625"	1.875"	2.25"	3.0"
6039	.625"	Latch and Deadbolt	•	•	•	•
6339	.5"	Latch and Deadbolt	•	•	•	•

# Mortise Bolt Specifications



No. 0418



No. 0413

**Features:** Exceptional quality heavy duty mortise bolt, constructed with a steel housing and forged brass components. Smooth and positive action. Designed for use with tubular latches for privacy/patio condition. Mortise bolts may be installed above or below latches, depending upon visibility. Emergency release trim available at an additional charge. Available less turn piece. Order 0418.XXX.LTP or 0413.XXX.LTP

**Important:** To enable emergency trim to function, the turn piece spindle must be cut to extend no farther than halfway through the bolt.

**Packed:** One in a box with necessary fasteners and template.

**Weight:** No. 0413: .6 lb. (.27kg). No. 0418: .5 lb. (.23 kg).

**Federal Specification Equivalents:** BHMA Designation: LO4121

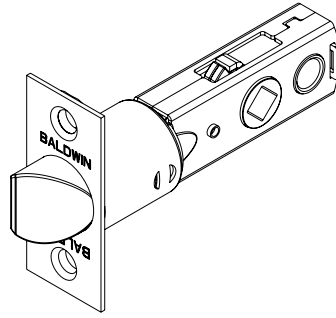
**NOTE:** Turn piece pictured does not represent actual product.

# Tubular Handleset Latch

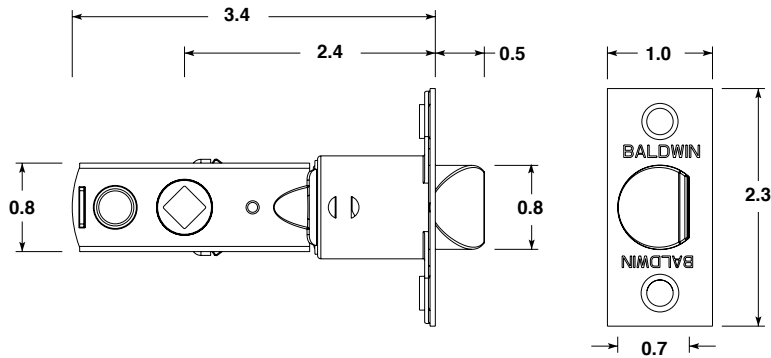
## *Tubular Latch*

**Features:** Latches are handed and fully adjustable for 2  $\frac{3}{8}$ " and 2  $\frac{3}{4}$ " doors. Sturdy non-rusting construction throughout. All component parts are made from durable materials and manufactured to precision tolerances for extended service. Dust Box No. 5510.000 supplied as standard equipment.

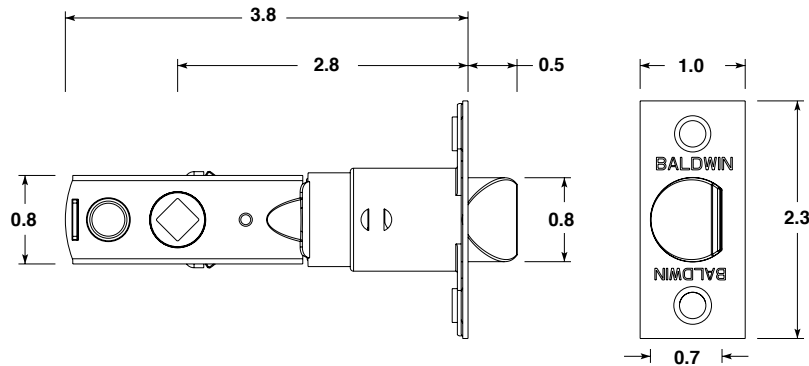
**Weight Each:** .5 lb. (.23kg)



*Adjustable 2  $\frac{3}{8}$ " Backset*



*Adjustable 2  $\frac{3}{4}$ " Backset*



**No. 5300.XXX.9**  
(standard 5510 strike utilized)

# Passage Tubular Latches

## Passage Latch

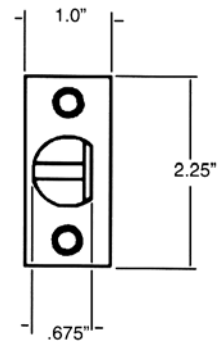
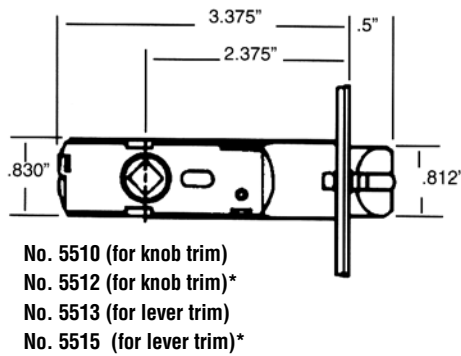
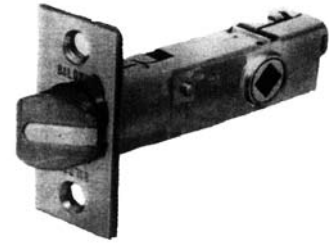
**Features:** Hub rotation of only 28° is required to retract the latch bolt. Latches are non-handed and have fully adjustable fronts for use on beveled doors. Sturdy non-rusting construction throughout. Bolt head features an anti-friction insert for smooth operation. All component parts are made from durable materials and manufactured to precision tolerances for extended service. Lever strength latches are manufactured with heavy duty springs. Dust Box No. 5510.000 supplied as standard equipment.

**\*Optional Face Plate:** Indicates supplied with a 1.125" (29mm) face plate.

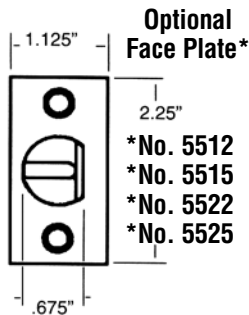
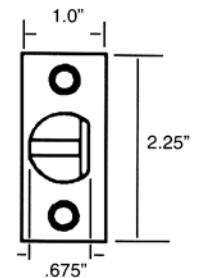
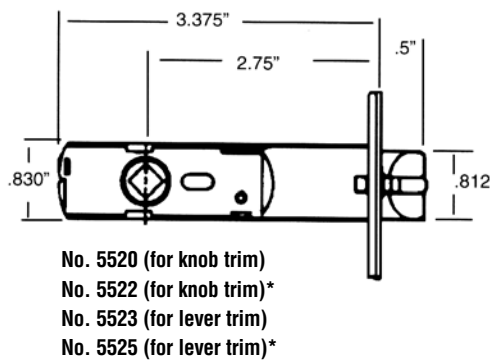
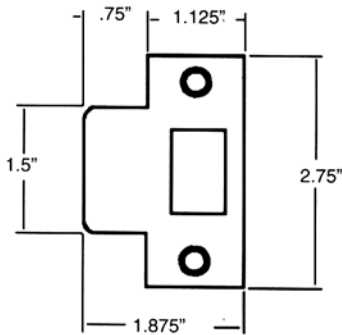
**Weight Each:** .5 lb. (.23kg)



Standard Box Strike



## 2 3/4" Backset



\*Optional Face Plate

# Privacy Tubular Latches

## Privacy Latch

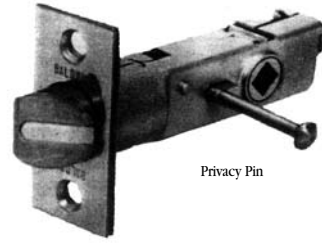
**Features:** Hub rotation of only 28° is required to retract the latch bolt. Latches are non-handed and have fully adjustable fronts for use on beveled doors. Sturdy non-rusting construction throughout. Bolt head features an anti-friction insert for smooth operation. All component parts are made from durable materials and manufactured to precision tolerances for extended service. Lever strength latches are manufactured with heavy duty springs. Dust Box No. 5510.000 supplied as standard equipment.

**\*Optional Face Plate:** Indicates supplied with a 1.125" (29mm) face plate.

**Weight Each:** .5 lb. (.23kg)



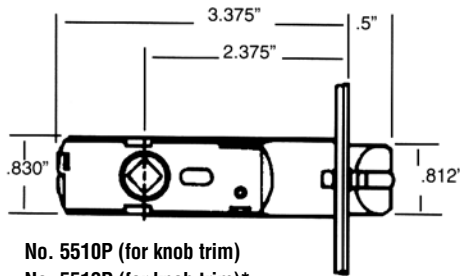
Standard Box Strike



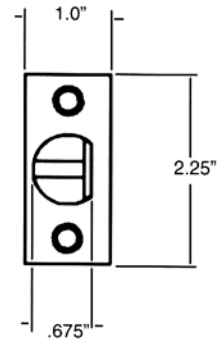
Privacy Pin

Patent Number  
5,259,652

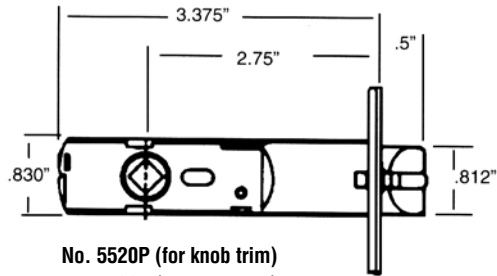
### 2 3/8" Backset



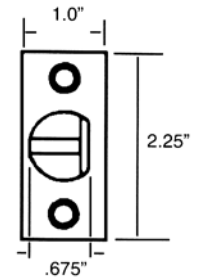
- No. 5510P (for knob trim)
- No. 5512P (for knob trim)\*
- No. 5513P (for lever trim)
- No. 5515P (for lever trim)\*



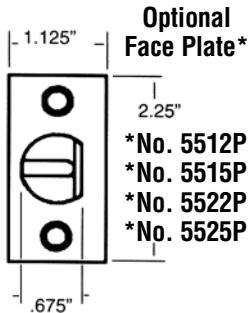
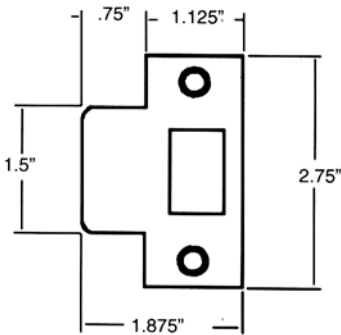
### 2 3/4" Backset



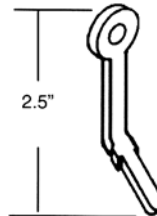
- No. 5520P (for knob trim)
- No. 5522P (for knob trim)\*
- No. 5523P (for lever trim)
- No. 5525P (for lever trim)\*



\*Optional Face Plate



- Optional Face Plate\***
- \*No. 5512P
  - \*No. 5515P
  - \*No. 5522P
  - \*No. 5525P



No. 5174.022  
Emergency  
Release Key



# Tubular Latch Strikes

## Standard Box Strike

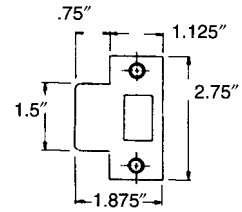
**Size:** .062" × 1.125" × 2.75" (2 × 29 × 70mm)

**Lip-to-Center Dimension:** 1.312" (33mm). Other Lip-to-Center lengths are available at an additional charge. Maximum Lip-to-center available is 3.438" (87mm).

**Dust Box:** Box is furnished unattached; conceals installation marks and cutouts. (No. 5510.000)

**Fasteners:** Screws included.

**Template:** Metal frames to be prepared in accordance with ANSI standard A115.2.



No. 5510.XXX.TSTR

## Extended Lip Box Strike

**Size:** .062" × 1.25" × 2.75" (2 × 29 × 70mm)

**Lip-to-Center Dimension:** No. 5510.XXX.E158 1.625" (41mm)

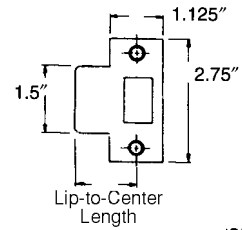
**Lip-to-Center Dimension:** No. 5510.XXX.E178 1.875" (48mm)

**Lip-to-Center Dimension:** No. 5510.XXX.E214 2.25" (57mm)

**Dust Box:** Box is furnished unattached; conceals installation marks and cutouts. (No. 5510.000)

**Fasteners:** Screws included.

**Calculated Dimension:** Lip-to-Center length must be calculated by the following formula: Door thickness ÷ 2 + .375" (10mm) = Lip-to-Center length. Round to closest size.



- 5510.XXX.E158
- 5510.XXX.E178
- 5510.XXX.E214

Product Number	Latch Width	Strike Preparation Description	Lip-to-Center Length		
			1.625"	1.875"	2.25"
5510	.5"	Latch and Deadbolt	•	•	•

# Deadbolt Latches

## Deadbolt Latches

**Features:** All Deadbolts are furnished with a 1" (25mm) throw. Each contains a saw-proof, hardened steel insert to prevent tampering. Fronts are adjustable for beveled door conditions. All deadbolts have an adjustable backset feature to accommodate 2 <sup>3</sup>/<sub>8</sub>" or 2 <sup>3</sup>/<sub>4</sub>" backsets.

**Weight:** .6 lb. (.27kg)

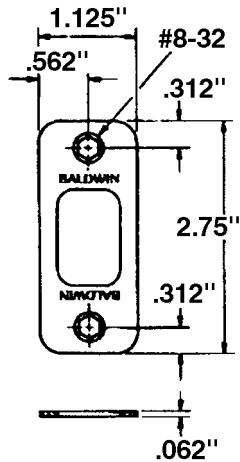


Item No.	Adjustable Backset	Front Length	Front Width	Type of Lockset
8201.XXX.DB	2 <sup>3</sup> / <sub>8</sub> " or 2 <sup>3</sup> / <sub>4</sub> "	2 <sup>1</sup> / <sub>4</sub> " (57mm)	1" (25mm)	Patio Functions
8208.XXX.DB	2 <sup>3</sup> / <sub>8</sub> " or 2 <sup>3</sup> / <sub>4</sub> "	2 <sup>1</sup> / <sub>4</sub> " (57mm)	1" (25mm)	Single Cylinder Functions

XXX-Insert Finish

Deadbolt Latch Specifications

## Radius Corner Strike



No. 8000.XXX.RSTR  
(XXX-Insert Finish)

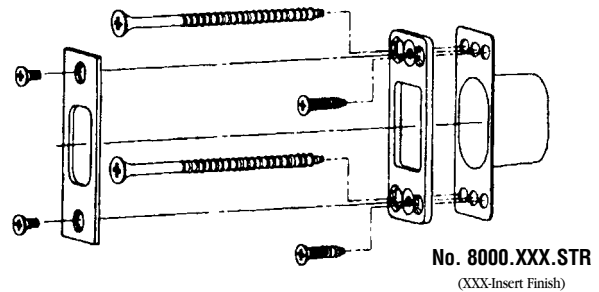
**Dimensions:** 1.125" × 2.75" (29 × 70mm)

**Thickness:** Furnished with No. 8-32 × .25" (6mm) machine screws, plated to match.

**Features:** Available at extra charge when door frame is prepared for this specific dimension. Dust box NOT supplied.

**Weight:** .75 lb. (.34kg)

## Security Strike (Standard)



**Strike:** 1.125" × 2.75" × .064" (29 × 70 × 2mm)

**Reinforcing Plate:** 1.1" × 2.725" × .125" (28 × 69 × 3mm)

**Dust Box:** 1.093" × 2.718" × .906" (28 × 69 × 23mm)

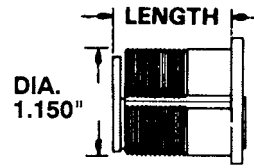
**Screws:** Furnished with two each No. 8 × .75" combination screws and two each No. 10 × 3" wood screws for attaching reinforcing plate and dust box to studs and jamb. Also supplied are two each No. 8-32 × .25" machine screws, plated to match, for attaching strike plate to reinforcing plate.

**Features:** Supplied standard with all auxiliary deadbolts. Designed with reinforcing plate and long screws for fastening through the jamb into a stud wall. This provides added security and tamper-resistant installation. Dust box is supplied.

# Mortise Cylinder

**Length of Mortise Cylinders:** The length of a Baldwin cylinder is the measurement from the back edge of the cylinder cap to the outer surface of the cam as illustrated.

Item Number C(03) Keyway	Cylinder Length	Door Thickness
8324	1 $\frac{3}{8}$ " (35mm)	1 $\frac{3}{4}$ "
8325	1 $\frac{1}{2}$ " (38mm)	2"
8326	1 $\frac{5}{8}$ " (41mm)	2 $\frac{1}{2}$ "
8327	1 $\frac{3}{4}$ " (44mm)	2 $\frac{3}{4}$ " - 3"
8328	2" (51mm)	3"



8324.XXX  
8325.XXX  
8326.XXX  
8327.XXX  
8328.XXX

**Features:** Baldwin 6 pin precision mortise cylinders are made of solid extruded brass. Finish is applied to cap only. When ordered separately, cylinders are supplied with 2 nickel silver keys.

**Keying Requirements:** Available as keyed alike when specified.

**Ordering Instructions:** Standard Mortise Cylinder: All orders are provided with correct cylinder length (established by the appropriate door thickness).

**Weight Each:** .3 lb. (.14kg)

**NOTE:** Refer to the existing Baldwin Hardware Catalog to reference cylinder and keying details.



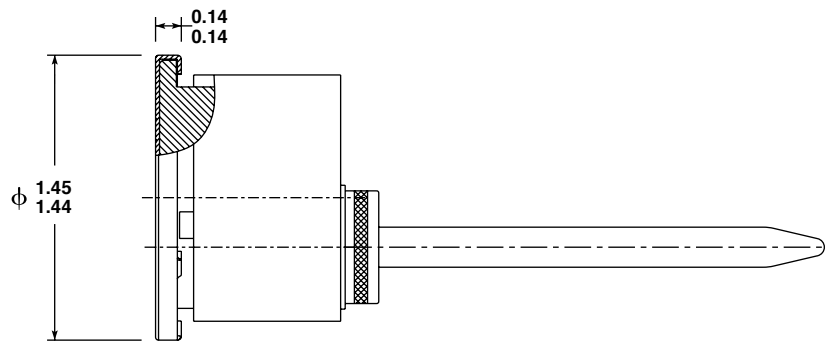
# Tubular Cylinder

**Features:** Baldwin 5 pin precision tubular cylinders are made of solid extruded brass. Finish is applied to cap only. When ordered separately, cylinders are supplied with 2 nickel silver keys.

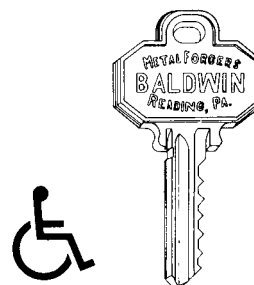
**Keying Requirements:** Available as keyed alike when specified.

**Ordering Instructions:** Standard Tubular Cylinder: Fits all door thicknesses 1  $\frac{3}{4}$ " - 2  $\frac{1}{4}$ ".

**Weight Each:** .3 lb. (.14kg)



8031.XXX.KD22

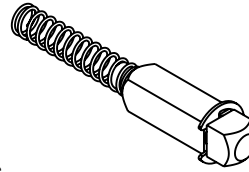


# Spindles

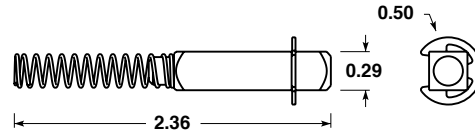
## *Passage/Privacy Knob & Lever Spindle*

**Features:** Standard door—fits various door thickness from 1  $\frac{3}{8}$ "-1  $\frac{3}{4}$ " and allows ease of assembly.

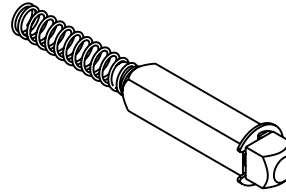
Thick door—fits various door thickness from 2"-2  $\frac{1}{2}$ " and allows ease of assembly.



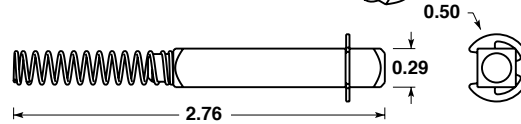
Standard Door Thickness



10021.000 Passage/Privacy Spindle



Thick Door

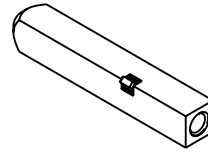


10019.000 Passage/Privacy Spindle

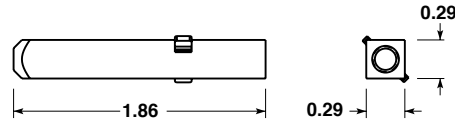
## *Entry Mortise Handleset Half Spindle*

**Features:** Standard door—fits various door thickness from 1  $\frac{3}{4}$ "-2  $\frac{1}{2}$ " and allows ease of assembly.

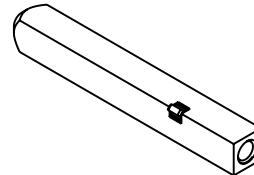
Thick door—fits various door thickness from 2  $\frac{3}{4}$ "-3" and allows ease of assembly.



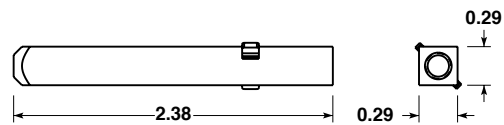
Standard Door Thickness



10103.000 Mortise Half Spindle



Thick Door



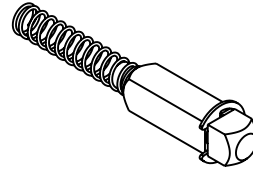
0503.004 Mortise Half Spindle

# Spindles

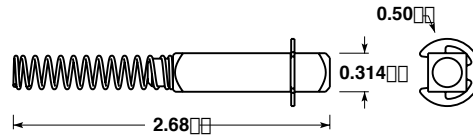
## *8mm Multi-Point Patio Spindle*

**Features:** Patio door—fits various door thickness from  $1\frac{3}{8}$ "- $2\frac{1}{4}$ " and allows ease of assembly.

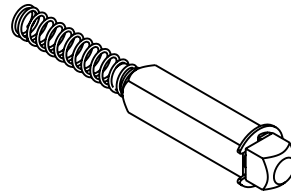
Thick door—fits various door thickness from  $2\frac{1}{2}$ "- $3$ " and allows ease of assembly.



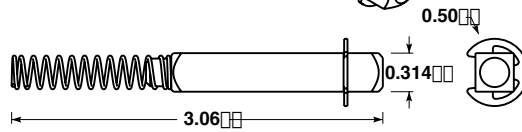
**Standard Door Thickness**



**11507.000 Multi-Point Patio Spindle**



**Thick Door**

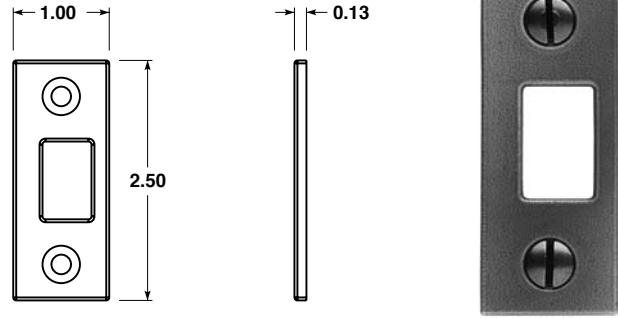


**11508.000 Multi-Point Patio Spindle**

# Surface Bolt Strikes

## *Mortise Strikes*

**Features:** Solid bronze mortise strike.

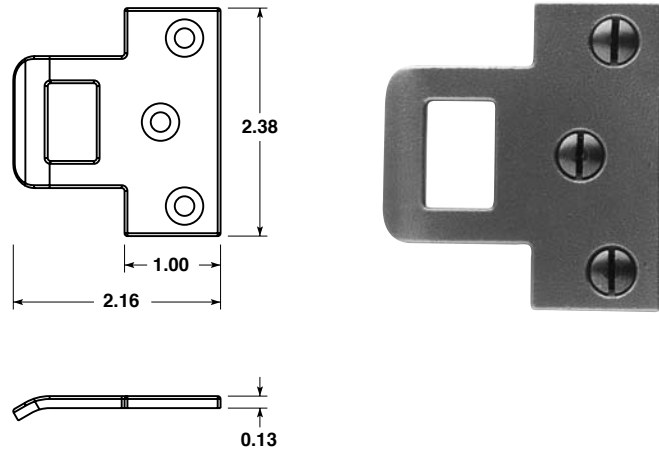


10552.471.MORT  
10552.474.MORT  
10562.473.MORT

Mortise Strike  
Mortise Strike  
Mortise Strike

## *Universal Strikes*

**Features:** Solid bronze mortise strike.



10553.471.UNIV  
10553.474.UNIV  
10563.473.UNIV

Universal Strike  
Universal Strike  
Universal Strike