



Ideal for

- *FirstNet/First Responders*
- *Transportation/Fleet*
- *Remote Video Monitoring*
- *Mobile Broadband*

Doberman PRO Series



- *MIMO LTE*
- *MIMO WIFI*
- *GPS*
- *IP67 RATED*

Features

- *5G*
- *WIFI 6*
- *600 MHz - 6 GHz**
- *HIGH EFFICIENCY*
- *HIGH PERFORMANCE*

**See inside for details*

Product Description

The Doberman antennas are high-performance, 5G, CAT18 (600MHz - 6GHz) antennas, available with MIMO LTE, up to 3 WIFI and GPS. The Doberman series antennas are perfect for mobile and fixed wireless applications.

The Doberman are rugged, high-performance, IP67 rated antennas.

Patent pending.



Frequency Ranges

LTE Frequency Range

617 - 894 MHz
1710 - 2700 MHz
3400 - 3800 MHz
5150 - 5925 MHz

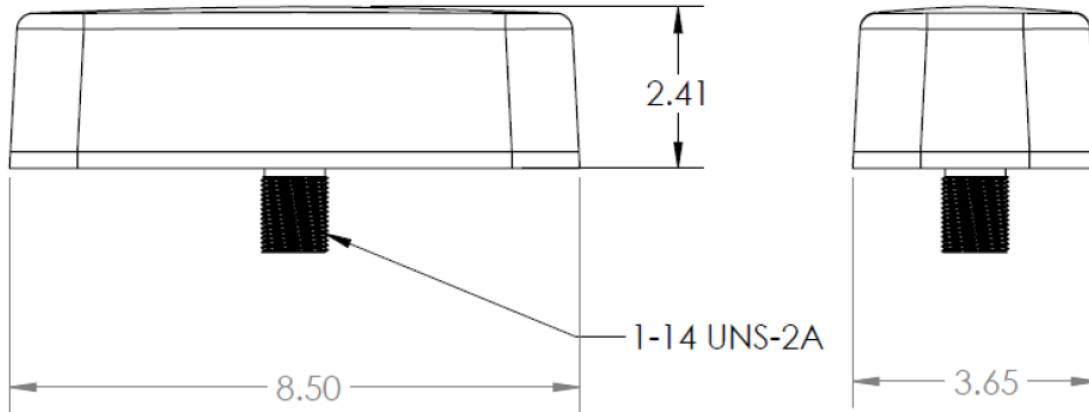
WiFi Frequency Range

2400 - 2483.5 MHz
4900 - 5900 MHz

LTE Bands (US Carriers)

| | |
|------------------------------|--------------------------------------|
| AT&T | 2, 4, 5, 14, 17, 29, 30, 46, 48, 66 |
| Verizon | 2, 4, 5, 13, 46, 48, 66 |
| T-Mobile | 2, 4, 12, 46, 48, 66, 71 |
| Sprint | 2, 25, 26, 41, 46, 48 |
| Mechanical | |
| Dimensions | 8.50 in. L x 3.65 in. W x 2.41 in. H |
| Mounting Hole | Single 1 inch |
| Environmental | |
| Operating Temperature | -40°C to 85°C |
| Ingress Protection | IP67 waterproof |

Product Dimensions



Electrical Specifications

| ID | Port | Parameters | Units | Typ. |
|---------------------|------------|-------------------|-------|------|
| Radiated Efficiency | LTE-1,2 | 617 – 894 MHz | | 85 |
| | LTE-1,2 | 1710 – 2700 MHz | | 85 |
| | LTE-1,2 | 3400 – 3800 MHz | | 70 |
| | LTE-1,2 | 5150 – 5925 MHz | % | 65 |
| | GPS | 1575.42 MHz | | 80 |
| | WiFi-1,2,3 | 2400 – 2483.5 MHz | | 70 |
| | WiFi-1,2,3 | 4900 – 5900 MHz | | 70 |
| Peak Gain | LTE-1,2 | 617 – 894 MHz | | 5 |
| | LTE-1,2 | 1710 – 2700 MHz | | 7 |
| | LTE-1,2 | 3400 – 3800 MHz | | 7 |
| | LTE-1,2 | 5150 – 5925 MHz | dBi | 7 |
| | GPS | 1575.42 MHz | | 6 |
| | WiFi-1,2,3 | 2400 – 2483.5 MHz | | 5 |
| | WiFi-1,2,3 | 4900 – 5900 MHz | | 6 |
| Return Loss (50 Ω) | LTE-1,2 | 617 – 894 MHz | | 9.5 |
| | LTE-1,2 | 1710 – 2700 MHz | | 12 |
| | LTE-1,2 | 3400 – 3800 MHz | | 9 |
| | LTE-1,2 | 5150 – 5925 MHz | dB | 8 |
| | GPS | 1575.42 MHz | | 12 |
| | WiFi-1,2,3 | 2400 – 2483.5 MHz | | 11 |
| | WiFi-1,2,3 | 4900 – 5900 MHz | | 9 |
| Isolation | LTE | 617 – 894 MHz | | 9.5 |
| | LTE | 1710 – 2700 MHz | | 15 |
| | LTE | 3400 – 3800 MHz | | 20 |
| | LTE | 5150 – 5925 MHz | dB | 25 |
| | WiFi | 2400 – 2483.5 MHz | | 15 |
| | WiFi | 4900 – 5900 MHz | | 19 |

Electrical Specifications

(Continued)

| | | | |
|--|------------------|-------|------------------|
| Polarization | LTE, WiFi GPS | | Linear RHCP |
| Max Input Power | LTE, WiFi | Watts | 10 |
| GNSS Preamp Gain | GPS | dB | 28 |
| GNSS Preamp Voltage | GPS | V | 2.2 to 5.0 |
| RF Connectors | LTE, GPS WiFi | | SMA(M) RP-SMA |
| Cables | LTE, WiFi GPS | | LSR200 LSR100 |
| Notes: | | | |
| <ol style="list-style-type: none"> 1. Electrical specifications based on antenna with a 2 ft. x 2 ft. external ground plane. 2. Isolation and return loss does not include cable loss. | | | |

Ordering

Standard Antennas

| Configurations | Part Number | Description |
|----------------|----------------|---|
| 3:1 | PRO3D2LG15BS | 2 LTE, 1 GPS, 15ft cable, Black, Short Bolt |
| 5:1 | PRO5D2L2WG15BS | 2 LTE, 2 WiFi, 1 GPS, 15ft cable, Black, Short Bolt |

Non-Standard Antennas

| Configurations | Part Number | Description |
|----------------|-----------------|---|
| 2:1 | PRO2D2L01B | 2 LTE, 1ft cable, Black |
| | PRO2D2L01BS | 2 LTE, 1ft cable, Black, Short Bolt |
| | PRO2D2L01B-NF | 2 LTE, 1ft cable, Black, N type Female |
| | PRO2D2L01BS-NF | 2 LTE, 1ft cable, Black, Short Bolt, N type Female |
| | PRO2D2L01B-NM | 2 LTE, 1ft cable, Black, N type Male |
| | PRO2D2L01BS-NM | 2 LTE, 1ft cable, Black, Short Bolt, N type Male |
| | PRO2D2L01W | 2 LTE, 1ft cable, White |
| | PRO2D2L01WS | 2 LTE, 1ft cable, White, Short Bolt |
| | PRO2D2L01W-NF | 2 LTE, 1ft cable, White, N type Female |
| | PRO2D2L01WS-NF | 2 LTE, 1ft cable, White, Short Bolt, N type Female |
| | PRO2D2L01W-NM | 2 LTE, 1ft cable, White, N type Male |
| | PRO2D2L01WS-NM | 2 LTE, 1ft cable, White, Short Bolt, N type Male |
| | PRO2D2L15B | 2 LTE, 15ft cable, Black |
| | PRO2D2L15BS | 2 LTE, 15ft cable, Black, Short Bolt |
| | PRO2D2L15W | 2 LTE, 15ft cable, White |
| | PRO2D2L15WS | 2 LTE, 15ft cable, White, Short Bolt |
| 3:1 | PRO3D2LG01B | 2 LTE, 1 GPS, 1ft cable, Black |
| | PRO3D2LG01BS | 2 LTE, 1 GPS, 1ft cable, Black, Short Bolt |
| | PRO3D2LG01B-NF | 2 LTE, 1 GPS, 1ft cable, Black, N type Female |
| | PRO3D2LG01BS-NF | 2 LTE, 1 GPS, 1ft cable, Black, Short Bolt, N type Female |
| | PRO3D2LG01B-NM | 2 LTE, 1 GPS, 1ft cable, Black, N type Male |
| | PRO3D2LG01BS-NM | 2 LTE, 1 GPS, 1ft cable, Black, Short Bolt, N type Male |
| | PRO3D2LG01W | 2 LTE, 1 GPS, 1ft cable, White |
| | PRO3D2LG01WS | 2 LTE, 1 GPS, 1ft cable, White, Short Bolt |
| | PRO3D2LG01W-NF | 2 LTE, 1 GPS, 1ft cable, White, N type Female |
| | PRO3D2LG01WS-NF | 2 LTE, 1 GPS, 1ft cable, White, Short Bolt, N type Female |
| | PRO3D2LG01W-NM | 2 LTE, 1 GPS, 1ft cable, White, N type Male |
| | PRO3D2LG01WS-NM | 2 LTE, 1 GPS, 1ft cable, White, Short Bolt, N type Male |
| | PRO3D2LG15B | 2 LTE, 1 GPS, 15ft cable, Black |
| | PRO3D2LG15W | 2 LTE, 1 GPS, 15ft cable, White |
| | PRO3D2LG15WS | 2 LTE, 1 GPS, 15ft cable, White, Short Bolt |

Non-Standard Antennas (continued)

| Configurations | Part Number | Description |
|----------------|-------------------|---|
| 4:1 | PRO4D2L2W01B | 2 LTE, 2 WiFi, 1ft cable, Black |
| | PRO4D2L2W01BS | 2 LTE, 2 WiFi, 1ft cable, Black, Short Bolt |
| | PRO4D2L2U01B | 2 LTE, 2 Universal, 1ft cable, Black |
| | PRO4D2L2U01BS | 2 LTE, 2 Universal, 1ft cable, Black, Short Bolt |
| | PRO4D2L2W01B-NF | 2 LTE, 2 WiFi, 1ft cable, Black, N type Female |
| | PRO4D2L2W01BS-NF | 2 LTE, 2 WiFi, 1ft cable, Black, Short Bolt, N type Female |
| | PRO4D2L2W01B-NM | 2 LTE, 2 WiFi, 1ft cable, Black, N type Male |
| | PRO4D2L2W01BS-NM | 2 LTE, 2 WiFi, 1ft cable, Black, Short Bolt, N type Male |
| | PRO4D2L2W01W | 2 LTE, 2 WiFi, 1ft cable, White |
| | PRO4D2L2W01WS | 2 LTE, 2 WiFi, 1ft cable, White, Short Bolt |
| | PRO4D2L2W01W-NF | 2 LTE, 2 WiFi, 1ft cable, White, N type Female |
| | PRO4D2L2W01WS-NF | 1 LTE, 2 WiFi, 1ft cable, White, Short Bolt, N type Female |
| | PRO4D2L2W01W-NM | 2 LTE, 2 WiFi, 1ft cable, White, N type Male |
| | PRO4D2L2W01WS-NM | 2 LTE, 2 WiFi, 1ft cable, White, Short Bolt, N type Male |
| | PRO4D2L2W15B | 2 LTE, 2 WiFi, 15ft cable, Black |
| | PRO4D2L2W15BS | 2 LTE, 2 WiFi, 15ft cable, Black, Short Bot |
| | PRO4D2L2U15B | 2 LTE, 2 Universal, 15ft cable, Black |
| | PRO4D2L2U15BS | 2 LTE, 2 Universal, 15ft cable, Black, Short Bolt |
| | PRO4D2L2W15W | 2 LTE, 2 WiFi, 15ft cable, White |
| | PRO4D2L2W15WS | 2 LTE, 2 WiFi, 15ft cable, White, Short Bolt |
| 5:1 | PRO5D2L2WG01B | 2 LTE, 2 WiFi, 1 GPS, 1ft cable, Black |
| | PRO5D2L2WG01BS | 2 LTE, 2 WiFi, 1 GPS, 1ft cable, Black, Short Bolt |
| | PRO5D2L2WG01B-NF | 2 LTE, 2 WiFi, 1 GPS, 1ft cable, Black, N type Female |
| | PRO5D2L2WG01BS-NF | 2 LTE, 2 WiFi, 1 GPS, 1ft cable, Black, Short Bolt, N type Female |
| | PRO5D2L2WG01B-NM | 2 LTE, 2 WiFi, 1 GPS, 1ft cable, Black, N type Male |
| | PRO5D2L2WG01BS-NM | 2 LTE, 2 WiFi, 1 GPS, 1ft cable, Black, Short Bolt, N type Male |
| | PRO5D2L2WG01W | 2 LTE, 2 WiFi, 1 GPS, 1ft cable, White |
| | PRO5D2L2WG01WS | 2 LTE, 2 WiFi, 1 GPS, 1ft cable, White, Short Bolt |
| | PRO5D2L2WG01W-NF | 2 LTE, 2 WiFi, 1 GPS, 1ft cable, White, N type Female |
| | PRO5D2L2WG01WS-NF | 2 LTE, 2 WiFi, 1 GPS, 1ft cable, White, Short Bolt, N type Female |
| | PRO5D2L2WG01W-NM | 2 LTE, 2 WiFi, 1 GPS, 1ft cable, White, N type Male |
| | PRO5D2L2WG01WS-NM | 2 LTE, 2 WiFi, 1 GPS, 1ft cable, White, Short Bolt, N type Male |
| | PRO5D2L2WG15B | 2 LTE 2 WiFi, 1 GPS, 15ft cable, Black |
| | PRO5D2L2WG15W | 2 LTE 2 WiFi, 1 GPS, 15ft cable, White |
| | PRO5D2L2WG15WS | 2 LTE 2 WiFi, 1 GPS, 15ft cable, White, Short Bolt |
| | PRO5D2LBWG01BDS | 2 LTE, BT WiFi, 1 GPS, 1ft cable, Black, Dell, Short Bolt |
| | PRO5D2LBWG12BD | 2 LTE, BT WiFi, 1 GPS, 12ft cable, Black, Dell |
| | PRO5D2LBWG12BDR | 2 LTE, BT WiFi, 1 GPS, 12ft cable, Black, Dell, Right Angle |
| | PRO5D2LBWG12BDS | 2 LTE, BT WiFi, 1 GPS, 12ft cable, Black, Dell, Short Bolt |
| | PRO5D2LBWG15BD | 2 LTE, BT WiFi, 1 GPS, 15ft cable, Black, Dell |

Non-Standard Antennas

(continued)

| Configurations | Part Number | Description |
|----------------|-------------------|---|
| 5:1 | PRO5D2LBWG15BDS | 2 LTE, BT WiFi, 1 GPS, 15ft cable, Black, Dell, Short Bolt |
| | PRO5D2LBWG01WD | 2 LTE, BT WiFi, 1 GPS, 1ft cable, White, Dell |
| | PRO5D2LBWG01WDS | 2 LTE, BT WiFi, 1 GPS, 1ft cable, White, Dell, Short Bolt |
| | PRO5D2LBWG12WD | 2 LTE, BT WiFi, 1 GPS, 12ft cable, White, Dell |
| | PRO5D2LBWG12WDS | 2 LTE, BT WiFi, 1 GPS, 12ft cable, White, Dell, Short Bolt |
| | PRO5D2LBWG15WD | 2 LTE, BT WiFi, 1 GPS, 15ft cable, White, Dell |
| | PRO5D2LBWG15WDS | 2 LTE, BT WiFi, 1 GPS, 15ft cable, White, Dell, Short Bolt |
| 6:1 | PRO6D2L3WG01B | 2 LTE, 3 WiFi, 1 GPS, 1ft cable, Black |
| | PRO6D2L3WG01BS | 2 LTE, 3 WiFi, 1 GPS, 1ft cable, Black, Short Bolt |
| | PRO6D2L3WG01B-NF | 2 LTE, 3 WiFi, 1 GPS, 1ft cable, Black, N type Female |
| | PRO6D2L3WG01BS-NF | 2 LTE, 3 WiFi, 1 GPS, 1ft cable, Black, Short Bolt, N type Female |
| | PRO6D2L3WG01B-NM | 2 LTE, 3 WiFi, 1 GPS, 1ft cable, Black, N type Male |
| | PRO6D2L3WG01BS-NM | 2 LTE, 3 WiFi, 1 GPS, 1ft cable, Black, Short Bolt, N type Male |
| | PRO6D2L3WG01W | 2 LTE, 3 WiFi, 1 GPS, 1ft cable, White |
| | PRO6D2L3WG01WS | 2 LTE, 3 WiFi, 1 GPS, 1ft cable, White, Short Bolt |
| | PRO6D2L3WG01W-NF | 2 LTE, 3 WiFi, 1 GPS, 1ft cable, White, N type Female |
| | PRO6D2L3WG01WS-NF | 2 LTE, 3 WiFi, 1 GPS, 1ft cable, White, Short Bolt, N type Female |
| | PRO6D2L3WG01W-NM | 2 LTE, 3 WiFi, 1 GPS, 1ft cable, White, N type Male |
| | PRO6D2L3WG01WS-NM | 2 LTE, 3 WiFi, 1 GPS, 1ft cable, White, Short Bolt, N type Male |
| | PRO6D2L3WG15B | 2 LTE 3 WiFi, 1 GPS, 15ft cable, Black |
| | PRO6D2L3WG15BS | 2 LTE 3 WiFi, 1 GPS, 15ft cable, Black, Short Bolt |
| | PRO6D2L3WG15W | 2 LTE 3 WiFi, 1 GPS, 15ft cable, White |
| | PRO6D2L3WG15WS | 2 LTE 3 WiFi, 1 GPS, 15ft cable, White, Short Bolt |

Hardware Accessories

| Accessory | Part Number |
|--|-------------|
| Pole-mount bracket (makes antenna a fixed application) | PTA0149 |
| Magnetic boot mount - black | PTA0330 |

Notes:

N type connector is recommended for outdoor usage due to it being waterproof. N type is also best used for cable runs longer than 25ft due to it being a stronger connection.

SMA connectors have a max torque of 3-5 inch lbs.

Part Number Key

Part number example for a 5:1 Doberman antenna, black:
PRO5D2L2WG15B

| Description | Abbreviation | Part Number |
|--|--------------|-------------------|
| All PRO Series | PRO | PRO |
| Number of antennas in housing/configuration | 5:1 | PRO5 |
| Antenna abbreviation for Doberman | D | PRO5D |
| Number of LTE Elements | # L | PRO5D2L |
| If Bluetooth, add B, if not leave blank | Blank or B | PRO5D2L |
| Number of WiFi Elements | # W | PRO5D2L2W |
| Number of GPS Elements (usually only 1 GPS per antenna, therefore we simply add G and no number) | G | PRO5D2L2WG |
| Cable length measured in feet: 01 = 1', 15 = 15' | 01, 15, etc, | PRO5D2L2WG15 |
| Radome Color - B for Black, W for White | B or W | PRO5D2L2WG15B |
| If Dell, add D, if not leave blank | D | PRO5D2L2WG15B |
| Bolt length standard is 1.25 inches leave blank for standard S = short bolt of 0.6 inches | Blank or S | PRO5D2L2WG15B |
| If SMA connector, simply leave blank | | PRO5D2L2WG15B |
| N type female connector | NF | PRO5D2L2WG15B- NF |
| N type male connector | NM | PRO5D2L2WG15B- NM |

Custom connectors are available. Please contact us for more information.



Parsec Technologies
972-804-4600
support@parsec-t.com