

Digital Color Copiers
(D038/D041-EU)
Parts Catalog

Parts change information sample

 **Add**

 **Update**

 **Delete**

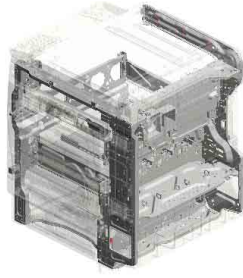
Parts Catalog Style

Model	Product Code	PC Style
Digital Color Copier	D038/D041	3D
ARDF DF3030	D366	Traditional
Paper Feed Unit PB3070	D425	3D
Paper Feed Unit PB3030	D331	Traditional
Internal Finisher Type C2550	D429	Traditional
1Bin Tray BN3060	D426	3D
Side Tray type C2550	D427	3D
Internal Shift Tray SH3030	D428	3D
Punch Unit PU3010	D390	Traditional
Platen Cover Type 3800C	G329	Traditional
Fax Option Type C2550	D432	Traditional
IEEE 1284 Interface Board Type A	B679-17	Traditional
Memory Unit Type I 512MB	D435-01	Traditional
Bluetooth Interface Unit Type 3245	B826-17	Traditional
IEEE 802.11a/g Interface Unit Type J	D377-01,-02	Traditional
IEEE 802.11g Interface Unit Type K	D377-19	Traditional
File Format Converter Type E	D377-04	Traditional
Gigabit Ethernet Board Type A	G874-01	Traditional
USB2.0/SD Slot Type A	D422-01	Traditional
VM Card Type I	D430-01,-02,-03	Traditional
Browser Unit Type E	D430-05,-06,-07	Traditional
Data Overwrite Security Unit Type I	D362-11	Traditional
Copy Data Security Unit Type F	B829-07	Traditional
HDD Encryption Unit Type A	D377-16	Traditional
Camera Direct Print Card Type E	M344-03	Traditional
Optional Counter Interface Unit Type A	B870-11	Traditional
Key Counter Bracket Type H	A674-05	Traditional

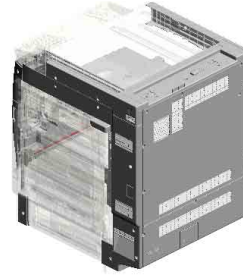
Unit All



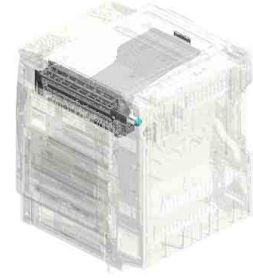
U001
SCANNER



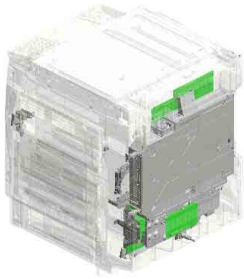
U002
MAIN FRAME



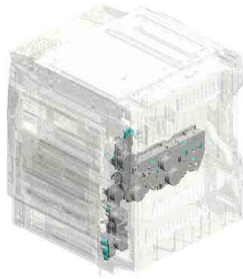
U003
EXTERIOR



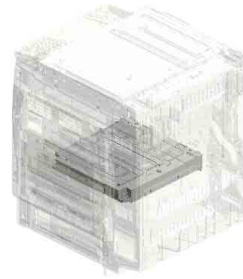
U004
PAPER EXIT



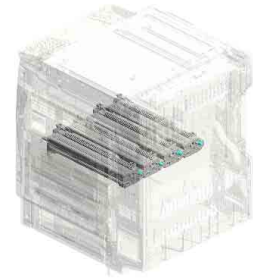
U005
ELECTRICAL



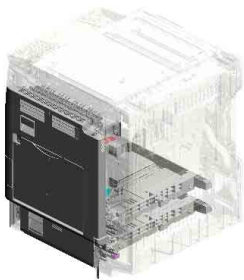
U006
MAIN DRIVE



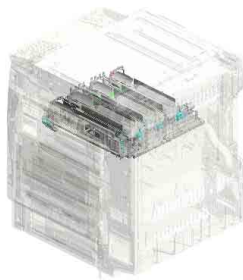
U007
LASER UNIT



U008
PCDU



U009
PAPER FEED



U010
TONER SUPPLY



U011
FUSING

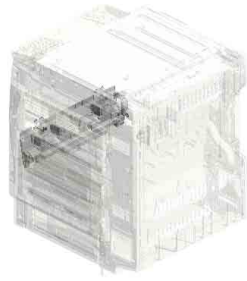


U012
IMAGE TRANSFER

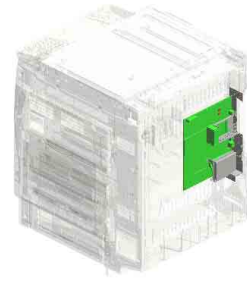
Unit All



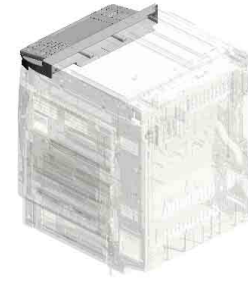
U013
SEPARATION/TRANSPORT



U014
TONER COLLECTION



U015
CONTROLLER



U016
OPERATION

U001.SCANNER

U001_S004
D0251735
SCALE:LEFT:B:ASS'Y

U001_S003
D0391742
CARRIAGE:NO.2:SUB-ASS'Y

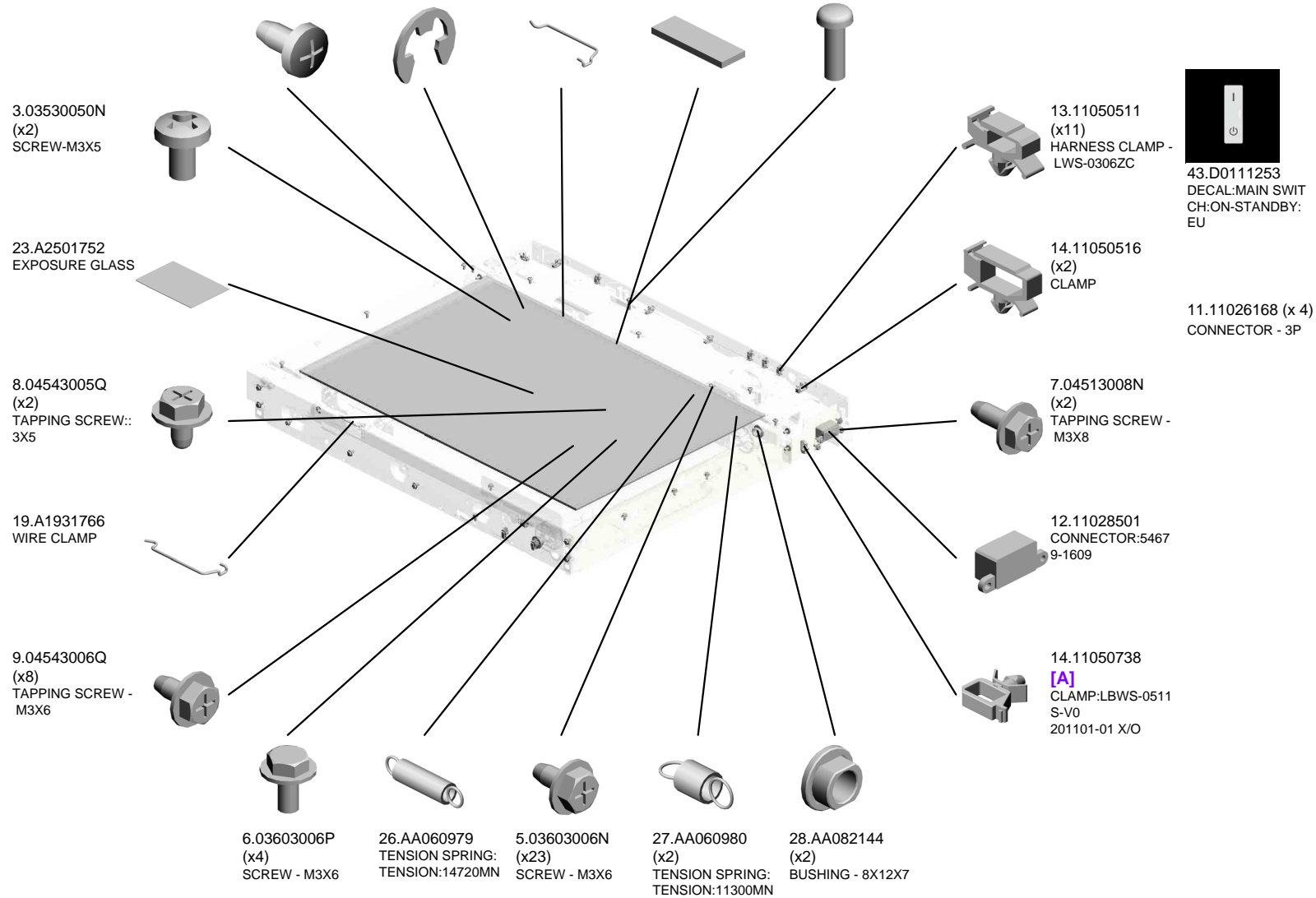
U001_S001
B2381715
STEPPER MOTOR DC3.9V

U001_S002
D0291715
CARRIAGE:NO.1:ASS'Y

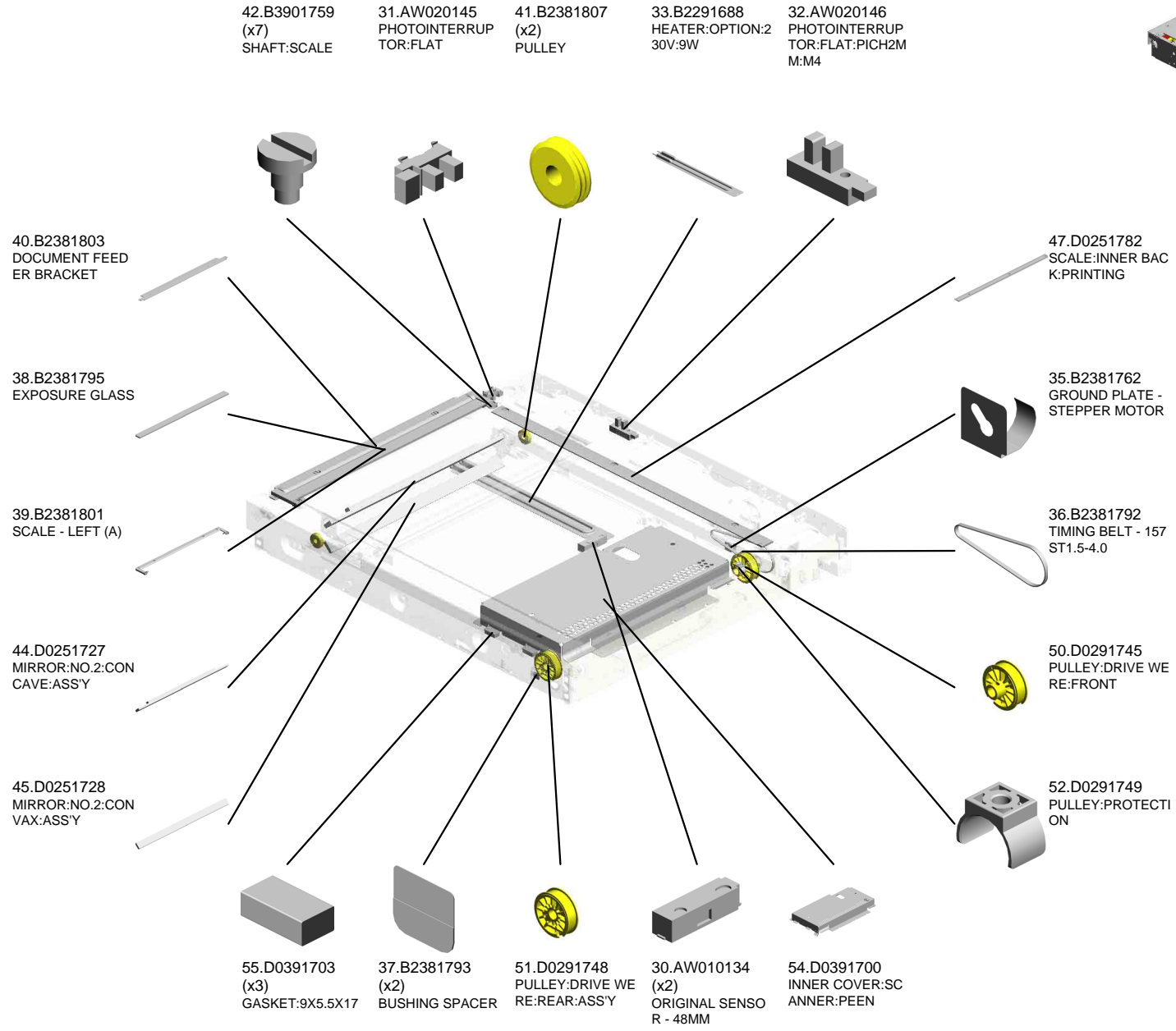
U001	U002	U003	U004	U005	U006	U007	U008	U009	U010	U011	U012	U013	U014	U015	U016
------	------	------	------	------	------	------	------	------	------	------	------	------	------	------	------

U001 SCANNER

- 4.03530060N (x8) BIND SCREW - M3 X6
- 10.07200040E (x2) RETAINING RING - M4
- 21.A1931769 CLAMP - REAR WI RE
- 15.54421924 (x2) EXPOSURE GLASS CUSHION
- 2.03140120N SCREW - M4X12



U001 SCANNER



U001 SCANNER



- 72.G5701225 SENSOR SHIELDING PLATE
- 75.G5702834 PULLEY - HIGH VOLTAGE SUPPLY CORD
- 63.D0391747 GUIDE:HIGH VOLTAGE SUPPLY CORD
- 69.D0395401 STABILIZER
- 66.D0391770 GROUND PLATE:SENSOR:AKS

- 74.G5702833 PULLEY HOLDER

- 68.D0391823 COVER:HEATER:SCANNER

- 61.D0391733 XENON LAMP:DIA10:ASSY

- 65.D0391751 (x4) HOLDER:EXPOSURE GLASS

- 70.G4042810 (x4) SPRING PLATE - 2ND MIRROR

- 76.08046123 (x5) HEXAGONAL BOLT:W/WASHER:M3X8

- 60.D0391720 (x2) PULLEY:IDLER:LEFT REAR:PEEN

- 67.D0391801 LENS:HOLDER:ASSY

- 58.D0391717 SHAFT:SCANNER:DRIVE

- 56.D0391705 GROUND PLATE:HARNES:SBU

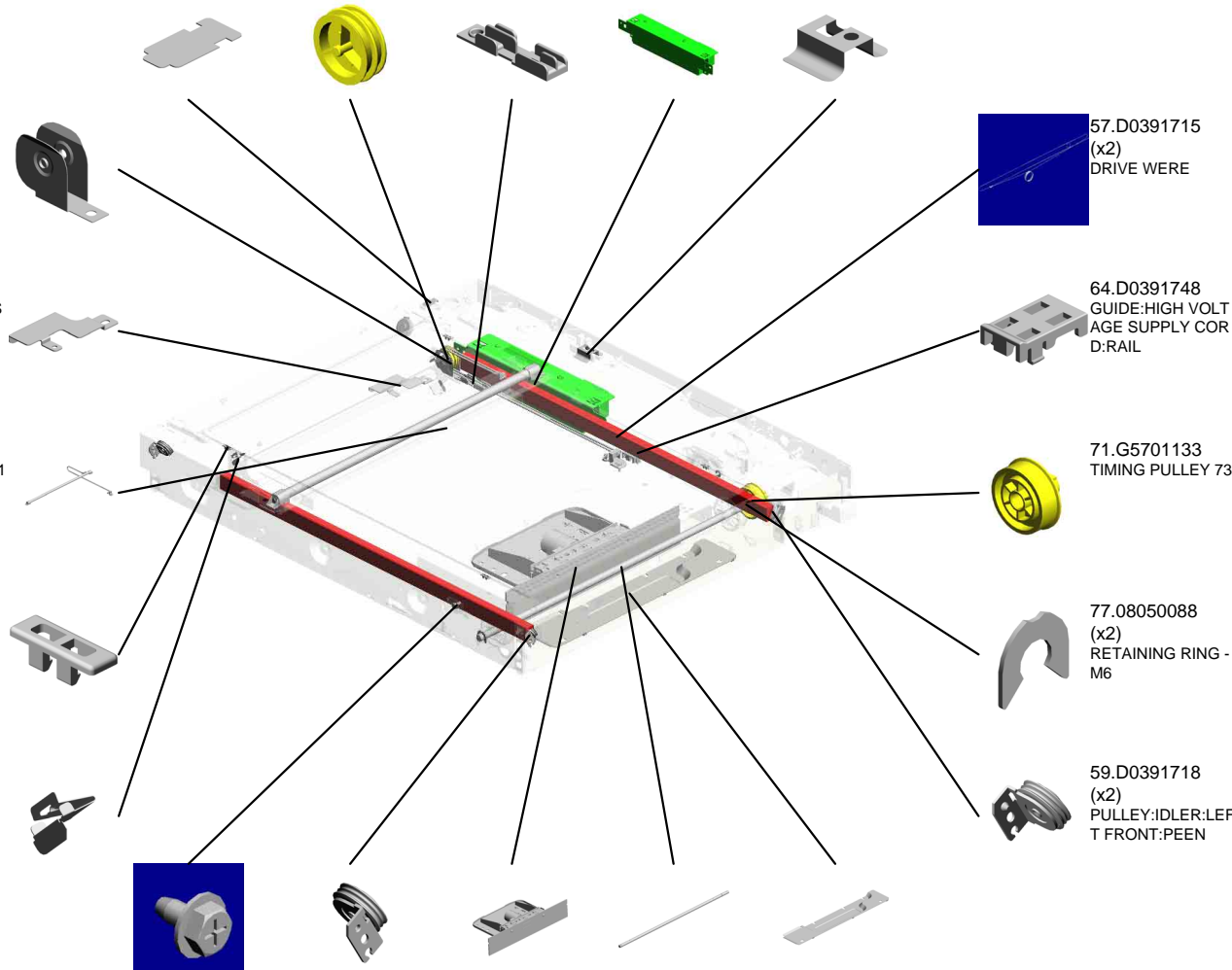
- 57.D0391715 (x2) DRIVE WERE

- 64.D0391748 GUIDE:HIGH VOLTAGE SUPPLY CORD:RAIL

- 71.G5701133 TIMING PULLEY 73

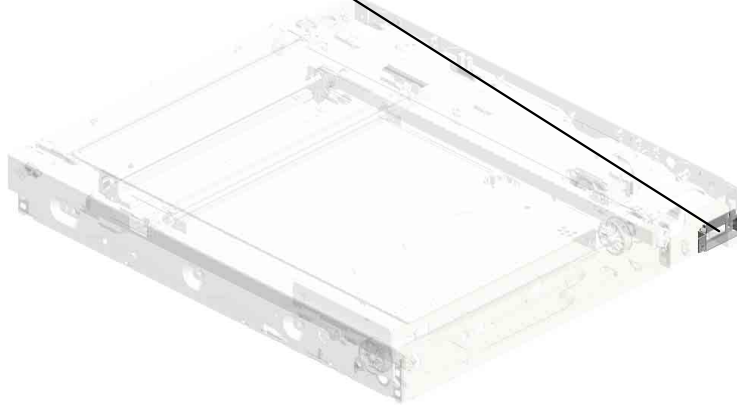
- 77.08050088 (x2) RETAINING RING - M6

- 59.D0391718 (x2) PULLEY:IDLER:LEFT FRONT:PEEN



U001
SCANNER

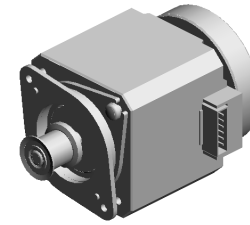
78.D0391792
BRACKET:CONNE
CTOR:DOCUMENT
FEEDER
201108-13



11050516
[A]
CLAMP
201101-01 X/O

U001_S001
STEPPER MOTOR DC3.9V

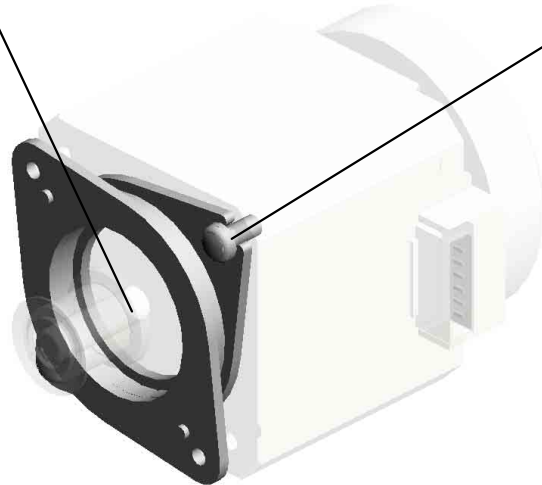
22.A2324666
CUSHION - STEPP
ER MOTOR



34.B2381715
STEPPER MOTOR
DC3.9V



1.03130060N
(x2)
SCREW - M3X6



U001	U002	U003	U004	U005	U006	U007	U008	U009	U010	U011	U012	U013	U014	U015	U016
------	------	------	------	------	------	------	------	------	------	------	------	------	------	------	------

U001_S002
CARRIAGE:NO.1:ASS'Y

18.A1001714
REFLECTOR

49.D0291719
(x2)
SHEET:CARRIAGE:
NO.1

48.D0291715
CARRIAGE:NO.1:A
SS'Y

29.AC030169
MIRROR:NO.1

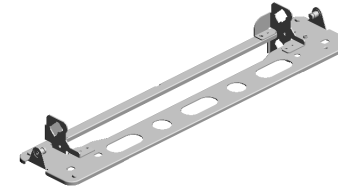
73.G5702730
(x4)
SLIDER - SCANNER

20.M0261815
(x2)
CLAMP:MIRROR:N
O.1
201011-06 O/O

U001	U002	U003	U004	U005	U006	U007	U008	U009	U010	U011	U012	U013	U014	U015	U016
------	------	------	------	------	------	------	------	------	------	------	------	------	------	------	------

U001_S003
CARRIAGE:NO.2:SUB-ASS'Y

24.A2501791
(x4)
2ND SCANNER SH
OE



62.D0391742
CARRIAGE:NO.2:S
UB-ASSY

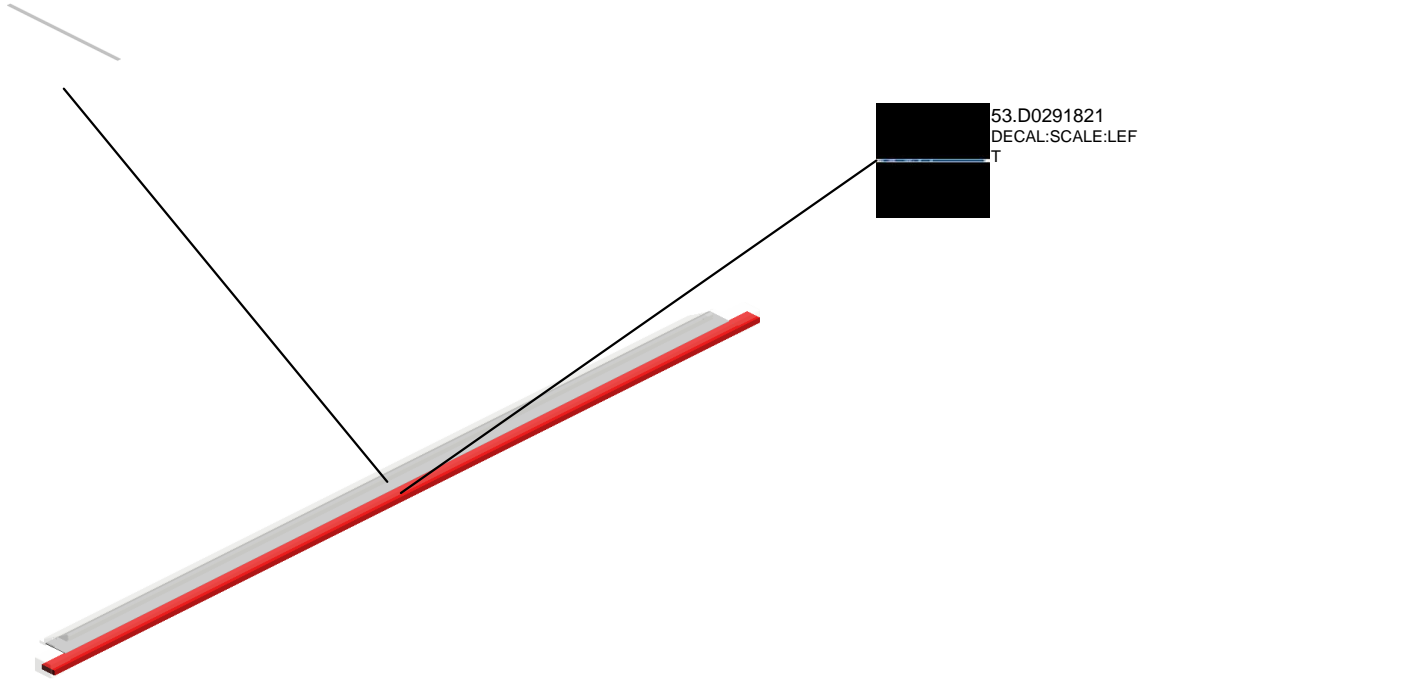


U001	U002	U003	U004	U005	U006	U007	U008	U009	U010	U011	U012	U013	U014	U015	U016
------	------	------	------	------	------	------	------	------	------	------	------	------	------	------	------

U001_S004
SCALE:LEFT:B:ASS'Y

25.A6283112
SHIELDING SHEET

46.D0251735
SCALE:LEFT:B:AS
SY

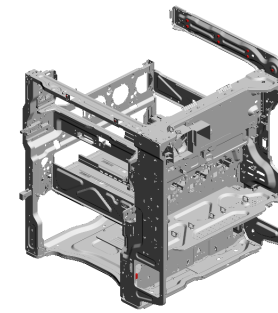


53.D0291821
DECAL:SCALE:LEF
T

U001	U002	U003	U004	U005	U006	U007	U008	U009	U010	U011	U012	U013	U014	U015	U016
------	------	------	------	------	------	------	------	------	------	------	------	------	------	------	------

U002 MAIN FRAME

- 3.04513006N (x125) TAPPING SCREW - 3X6
- 8.11050410 (x15) CARD SPACER - 4MM
- 6.04543006Q (x15) TAPPING SCREW - M3X6
- 4.04513008N (x2) TAPPING SCREW - M3X8
- 13.11050516 (x20) CLAMP



- 2.04503025N (x4) TAPPING SCREW: 3X25

- 9.11050487 (x10) HARNESS CLAMP

- 5.04513020N (x2) TAPPING SCREW: 3X20

- 17.11050692 (x2) CLAMP:LES-0503

- 21.AA143592 SCREW- M4X6

- 1.03130100N (x2) PAN HEAD SCREW :M3X10

- 7.04543008Q (x5) TAPPING SCREW: 3X8

- 20.AA143555 (x2) SCREW - M3X5

- 14.11050518 (x2) EDGE SADDLE - L ES-1010

- 18.11060458 (x2) BUSHING - 9.9MM

- 14.11050518 (x2) EDGE SADDLE - L ES-1010

- 16.11050534 (x35) CLAMP

- 10.11050488 (x7) HARNESS CLAMP

- 12.11050511 (x19) HARNESS CLAMP - LWS-0306ZC

- 11.11050489 (x6) HARNESS CLAMP - LWS 1316

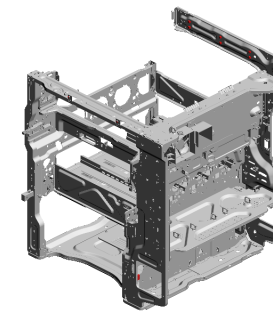


- 15.11050522 (x2) EDGE SADDLE - L ES0510



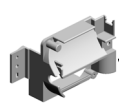
- 27.D0111253 (x1) DECAL:MAIN SWIT CH:ON-STANDBY: EU

U002 MAIN FRAME



- 37.D0396307 (x2) STOPPER:BELT CL EAINING
- 24.AX640200 (x3) FAN:MM60:DC 3.12 W
- 35.D0391322 DUCT:DEVELOPM ENT UNIT:REAR
- 29.D0391124 BRACKET:DRAW E R
- 33.D0391313 DUCT:FUSING:EXH AUST:UPPER

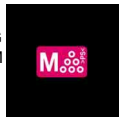
34.D0391321
DUCT:DEVELOPM ENT UNIT:FRONT



39.GA003030
DECAL:SHIELDING PLATE:DISPLAY:Y



40.GA003031
DECAL:SHIELDING PLATE:DISPLAY:M



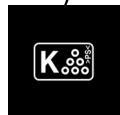
41.GA003032
DECAL:SHIELDING PLATE:DISPLAY:C



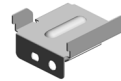
25.B1011097 (x5)
RUBBER FOOT:H5



36.D0391356 (x4)
DECAL:CLEANING: POSITIONING DISP LAY



42.GA003033
DECAL:SHIELDING PLATE:DISPLAY:K



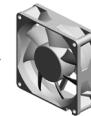
30.D0391305
PLATE:IMAGE FOR MING MD:FRONT



26.B2381119
LEVER - FRONT U PPER



38.D0412528
HEAT SINK:HEATE R:EU:ADHESION



23.AX640199
FAN:MM80:25MM:D C 2.16W



32.D0391312
DUCT:FUSING:EXH AUST:LOWER



28.D0391087
LEVER:LOCK:REA R



31.D0391306
PLATE:IMAGE FOR MING MD:REAR

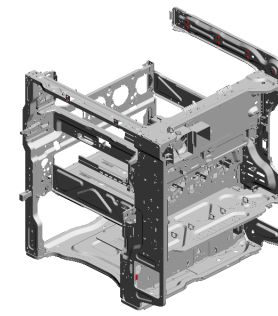


22.AX640196
FAN:AXIAL:MM40:2 4V

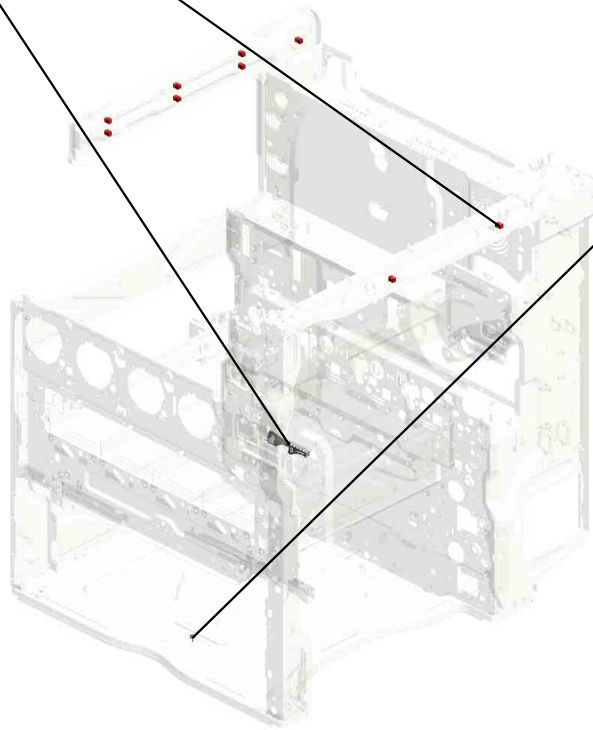
U002 MAIN FRAME

43.D0391066
LEVER:LOCK:FRO
NT

44.08046123
(x9)
HEXAGONAL BOLT
:W/WASHER:M3X8
201012-01



45.08025299
TAPPING SCREW -
M3X8



U001	U002	U003	U004	U005	U006	U007	U008	U009	U010	U011	U012	U013	U014	U015	U016
------	-------------	------	------	------	------	------	------	------	------	------	------	------	------	------	------

U003 EXTERIOR

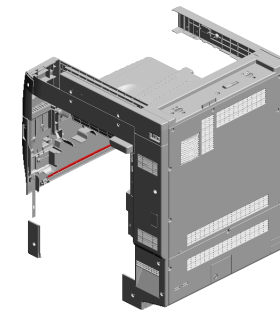
1.03603008N
(x5)
SCREW:M3X8

12.B2381373
CAP - LOUVER MM
80

7.AA010122
FILTER:REAR

2.04513008N
(x33)
TAPPING SCREW -
M3X8

15.D0391232
COVER:SCANNER:
RIGHT



10.B0771253
CAP:34X55

13.B2381396
CAP - REAR

11.B2231293
CAP:COVER:REAR

18.D0391246
INNER COVER:DC
BRUSHLESS MOT
OR:INTERMEDIAT
E TRANSFER

9.B0391367
RIVET - M6

6.AA012133
(x2)
FILTER:IMAGE FO
RMING MD
201101-02 O/O

19.D0391247
GROUND PLATE:DC
BRUSHLESS MO
TOR:INTERMEDIAT
E TRANSFER

16.D0391241
INNER COVER:UP
PER

20.D0391251
COVER:FRONT

5.52062686
(x2)
SNAP RING

17.D0391242
INNER COVER:RIG
HT

14.B2591367
(x2)
COVER MAGNET

4.04563008N
(x2)
TAPPING SCREW -
M3X8

8.B0241264
(x2)
MAGNET CATCH

3.04543006Q
TAPPING SCREW -
M3X6

U003 EXTERIOR

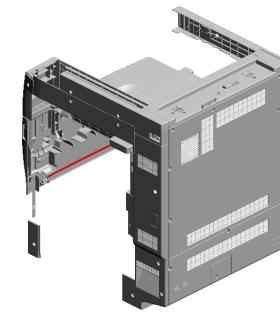
25.D0391260
COVER:UPPER

28.D0391271
COVER:RIGHT REAR

26.D0391262
COVER:UPPER:EXIT

40.D0391353
DECAL:COLORED
DISPLAY:INNER COVER:M

29.D0391272
COVER:RIGHT UPPER



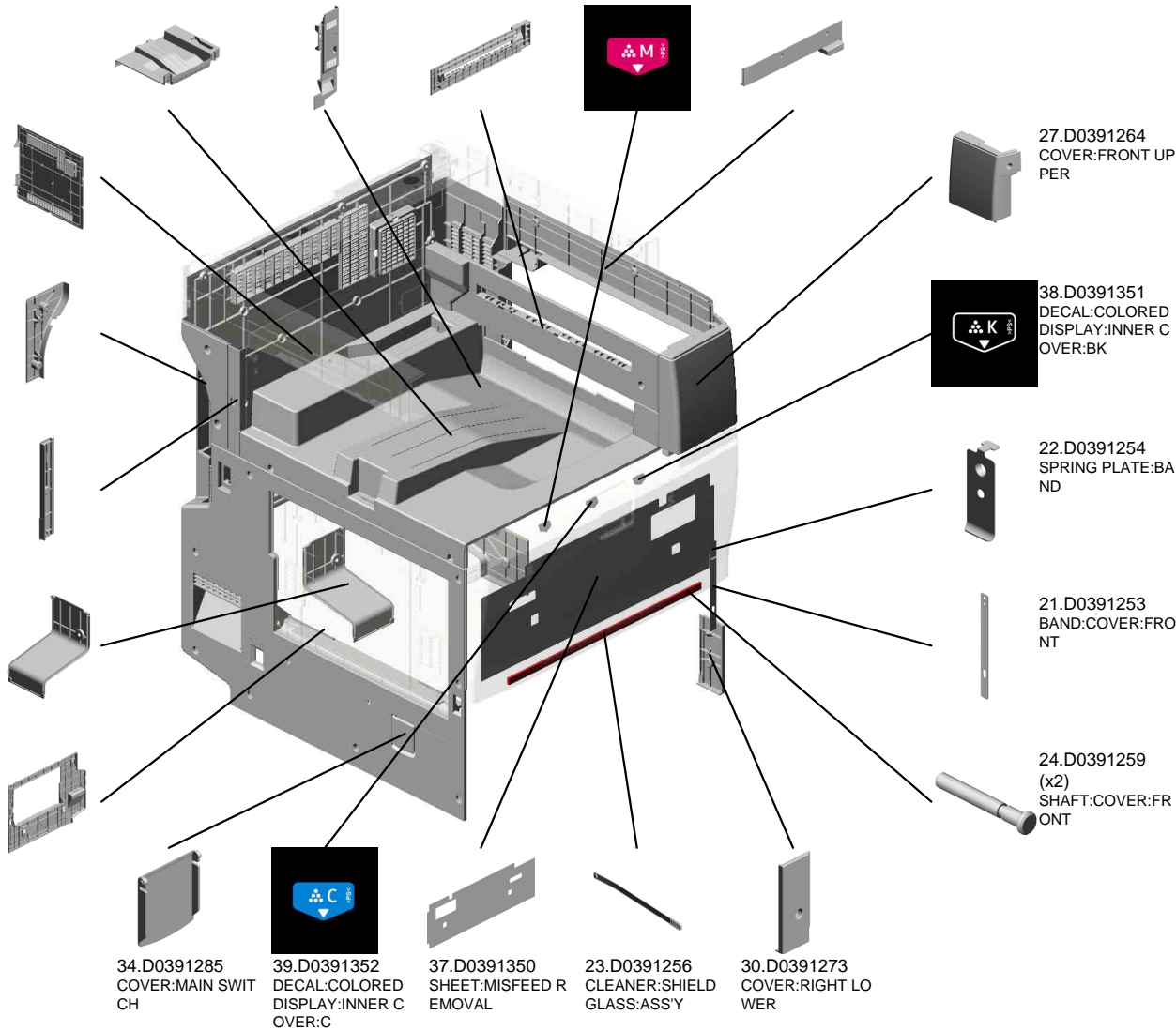
35.D0391291
COVER:REAR

32.D0391283
COVER:LEFT UPPER REAR

33.D0391284
COVER:LEFT OPTION

36.D0391293
COVER:REAR: HARNESS

31.D0391281
COVER:LEFT



34.D0391285
COVER:MAIN SWITCH

39.D0391352
DECAL:COLORED
DISPLAY:INNER COVER:C

37.D0391350
SHEET:MISFEED REMOVAL

23.D0391256
CLEANER:SHIELD GLASS:ASS'Y

30.D0391273
COVER:RIGHT LOWER

27.D0391264
COVER:FRONT UPPER

38.D0391351
DECAL:COLORED
DISPLAY:INNER COVER:BK

22.D0391254
SPRING PLATE: BAND

21.D0391253
BAND:COVER:FRONT

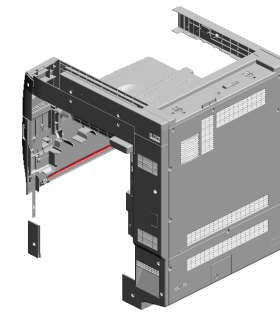
24.D0391259
(x2)
SHAFT:COVER:FRONT

U003 EXTERIOR

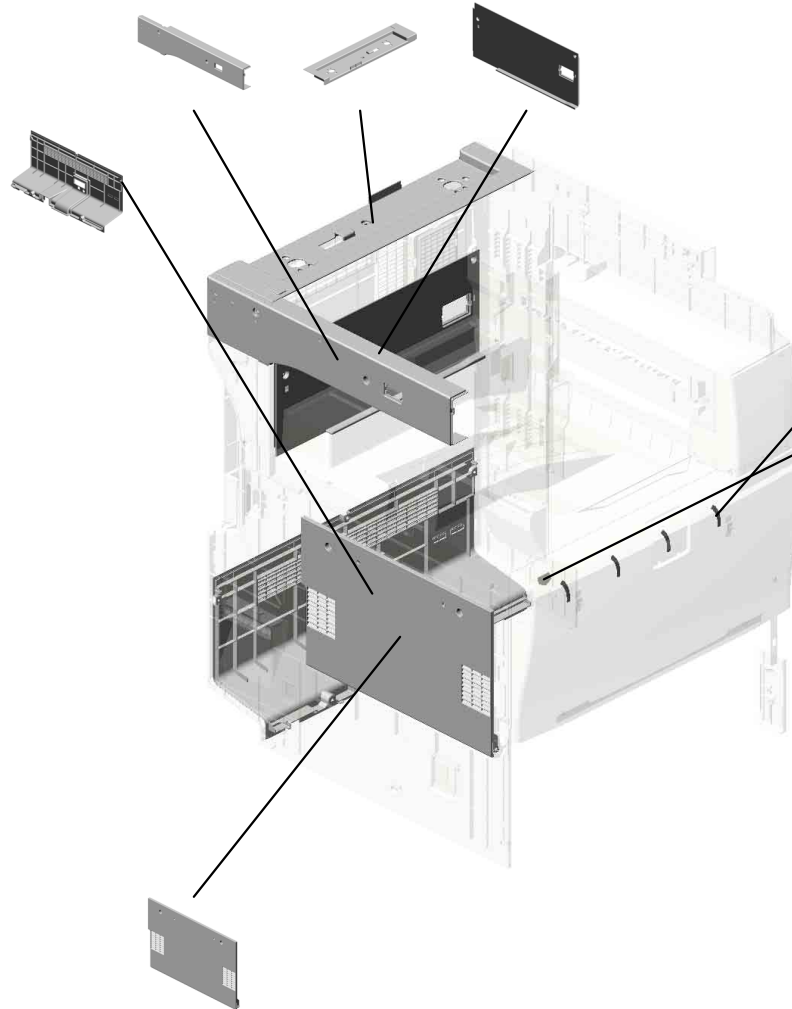
43.D0411233 COVER:SCANNER:
LEFT:EU

47.D0411234 COVER:SCANNER:
REAR:EU

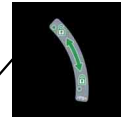
44.D0411261 COVER:UPPER:IN
NER BACK:EU



46.D0411292
COVER:REAR LO
WER:EU



45.D0411282
COVER:LEFT MIDD
LE:EU



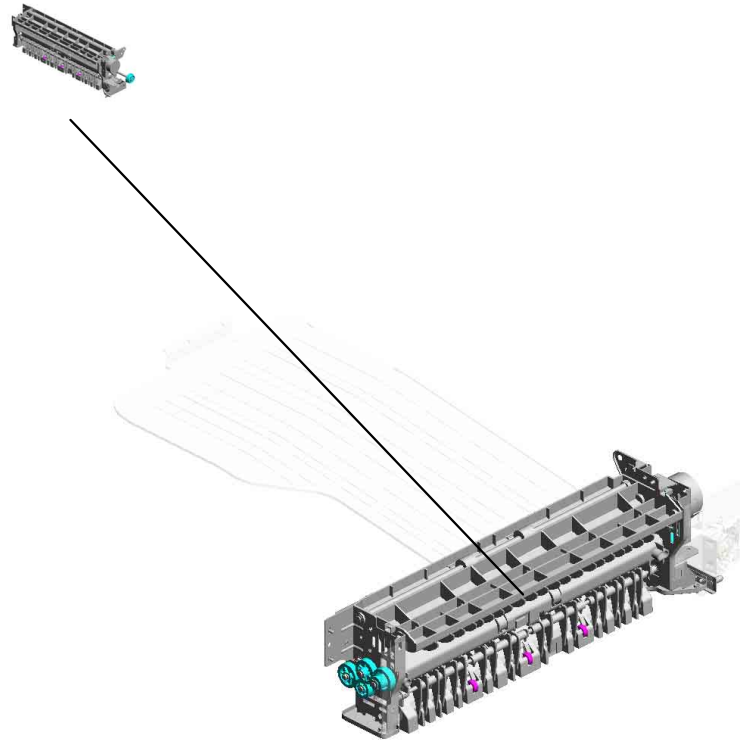
42.D0391355
(x4)
DECAL:TONER BO
TTLE:LOCK



41.D0391354
DECAL:COLORED
DISPLAY:INNER C
OVER:Y

U004.PAPER EXIT

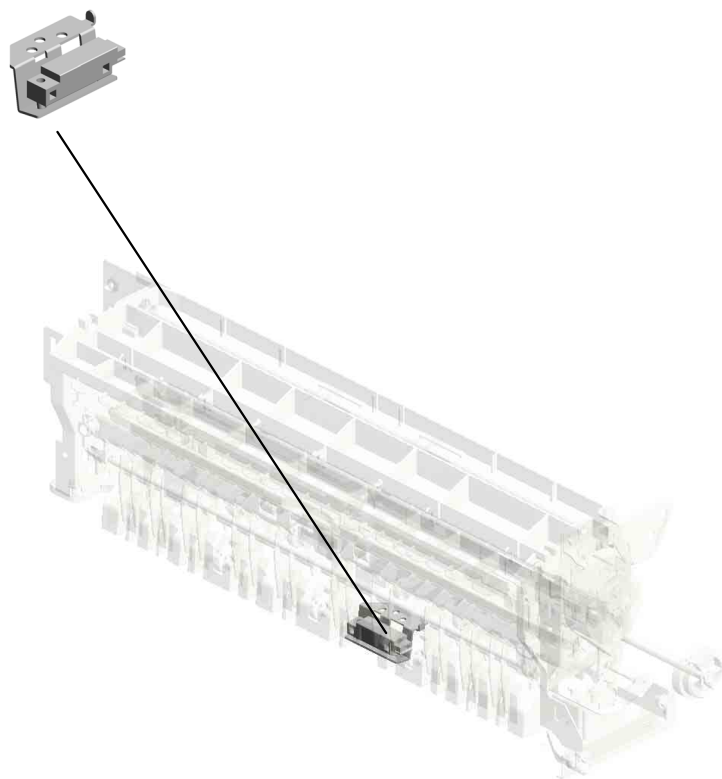
U004_S001
D0394402
PAPER EXIT UNIT:ASSY



U001	U002	U003	U004	U005	U006	U007	U008	U009	U010	U011	U012	U013	U014	U015	U016
------	------	------	------	------	------	------	------	------	------	------	------	------	------	------	------

U004_S001.PAPER EXIT UNIT:ASS'Y

U004_S001_S001
D0394955
BRACKET:SENSOR:FUSING
EXIT:ASS'Y

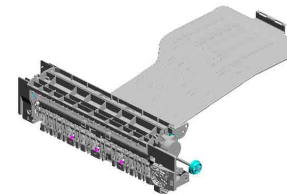


U001	U002	U003	U004	U005	U006	U007	U008	U009	U010	U011	U012	U013	U014	U015	U016
------	------	------	------	------	------	------	------	------	------	------	------	------	------	------	------

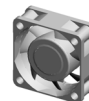
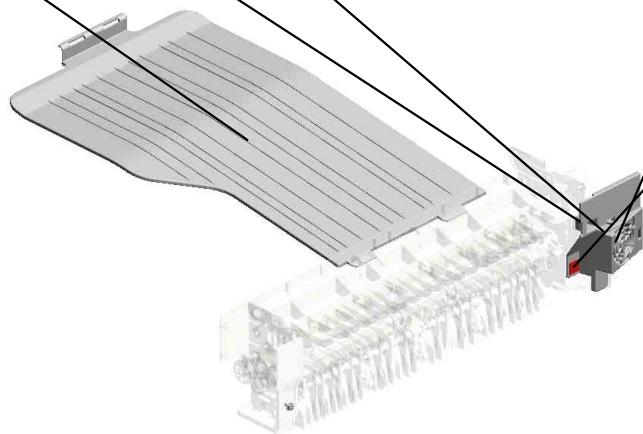
U004 PAPER EXIT

3.04513006N
(x2)
TAPPING SCREW -
3X6

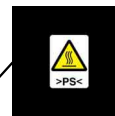
43.D0394907
INNER COVER:PA
PER EXIT UNIT:RE
AR
201108-19



28.D0394905
TRAY:REVERSE



15.AX640202
FAN:MM40X15:NID
EC:H



11.AA000252
DECAL:H-TEMP W
ARNING

U004_S001 PAPER EXIT UNIT:ASS'Y

24.D0394471
GEAR:IDLER:INPU
T:ROLLER CLUTC
H

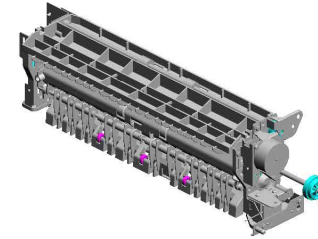
6.04563008N
(x6)
TAPPING SCREW -
M3X8

18.D0094485
(x2)
BUSHING - GATE

20.D0394419
SHEET:EXIT:UNIF
ORM
090309

16.B2274673
(x2)
EXIT ROLLER

19.D0394402
[A]
PAPER EXIT UNIT:
ASS'Y
201009-03 O/O



7.07200040E
(x5)
RETAINING RING -
M4

3.04513006N
(x14)
TAPPING SCREW -
3X6

25.D0394472
GEAR:IDLER:ROLL
ER CLUTCH:CONN
ECTING

17.D0094455
CUSHION - DC SO
LENOID

13.AF040571
(x10)
GUIDE ROLLER

31.D0394972
LEVER:GATE PAW
L:REAR

23.D0394469
GEAR:IDLER:REVE
RSE:CONNECTING

27.D0394488
DC SOLENOID:PAP
ER EXIT UNIT:SUB-
ASS'Y

1.03530040N
(x2)
SCREW - M3X4

26.D0394484
TENSION SPRING:
DC SOLENOID:PAP
ER EXIT UNIT

22.D0394468
GEAR:IDLER:REVE
RSE

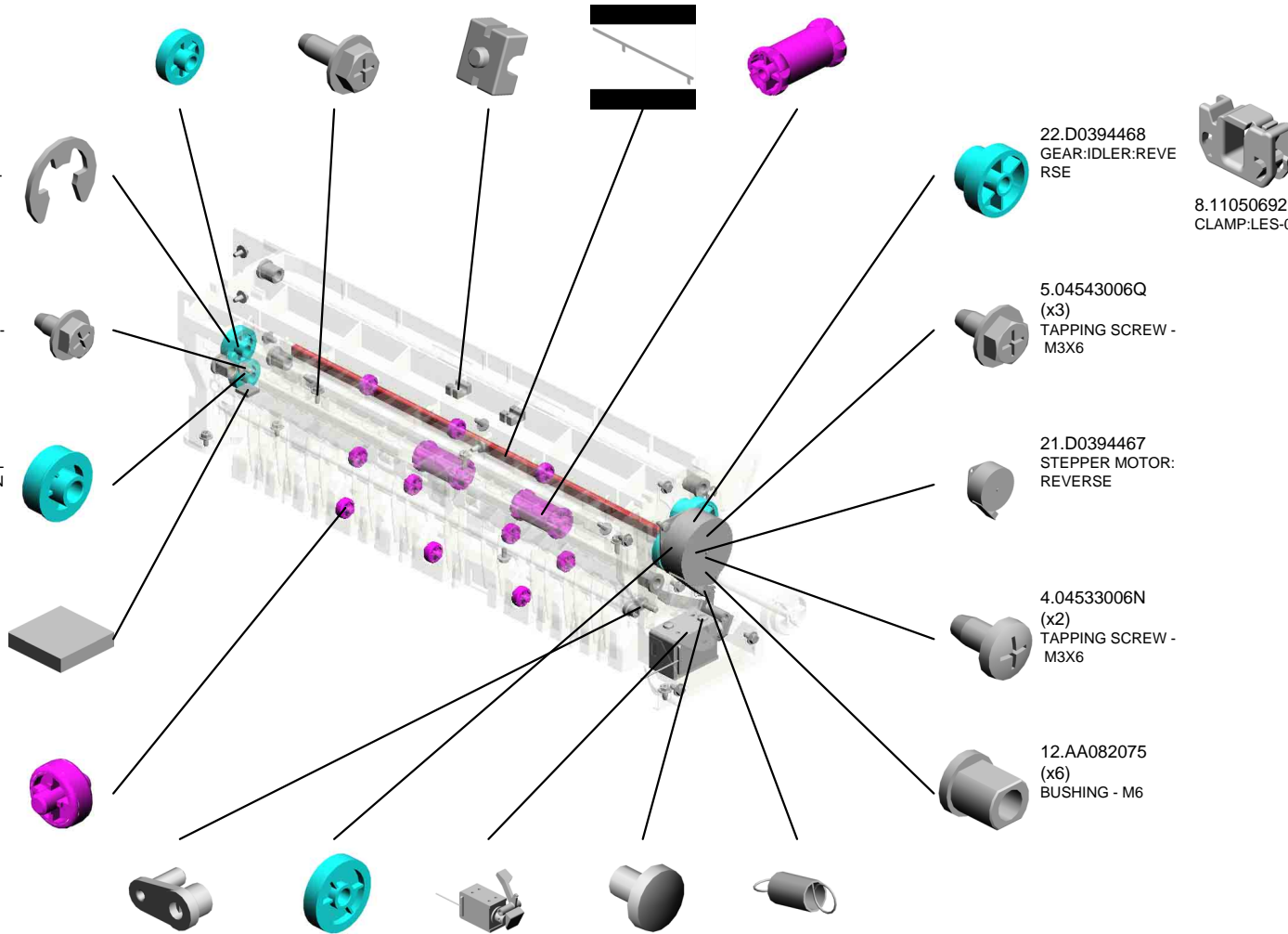
8.11050692
CLAMP:LES-0503

5.04543006Q
(x3)
TAPPING SCREW -
M3X6

21.D0394467
STEPPER MOTOR:
REVERSE

4.04533006N
(x2)
TAPPING SCREW -
M3X6

12.AA082075
(x6)
BUSHING - M6



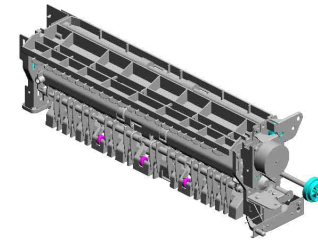
U001 U002 U003 U004 U005 U006 U007 U008 U009 U010 U011 U012 U013 U014 U015 U016

U004_S001
PAPER EXIT UNIT:ASS'Y

37.D0394425 (x2)
COMPRESSION SPRING:EXIT ROLLER:DRIVEN

39.D0394942
TRANSPORT ROLLER:REVERSE CONNECTING

40.D0394947
REVERSE ROLLER



19.D0394402
[A]
PAPER EXIT UNIT: ASS'Y
201009-03 O/O

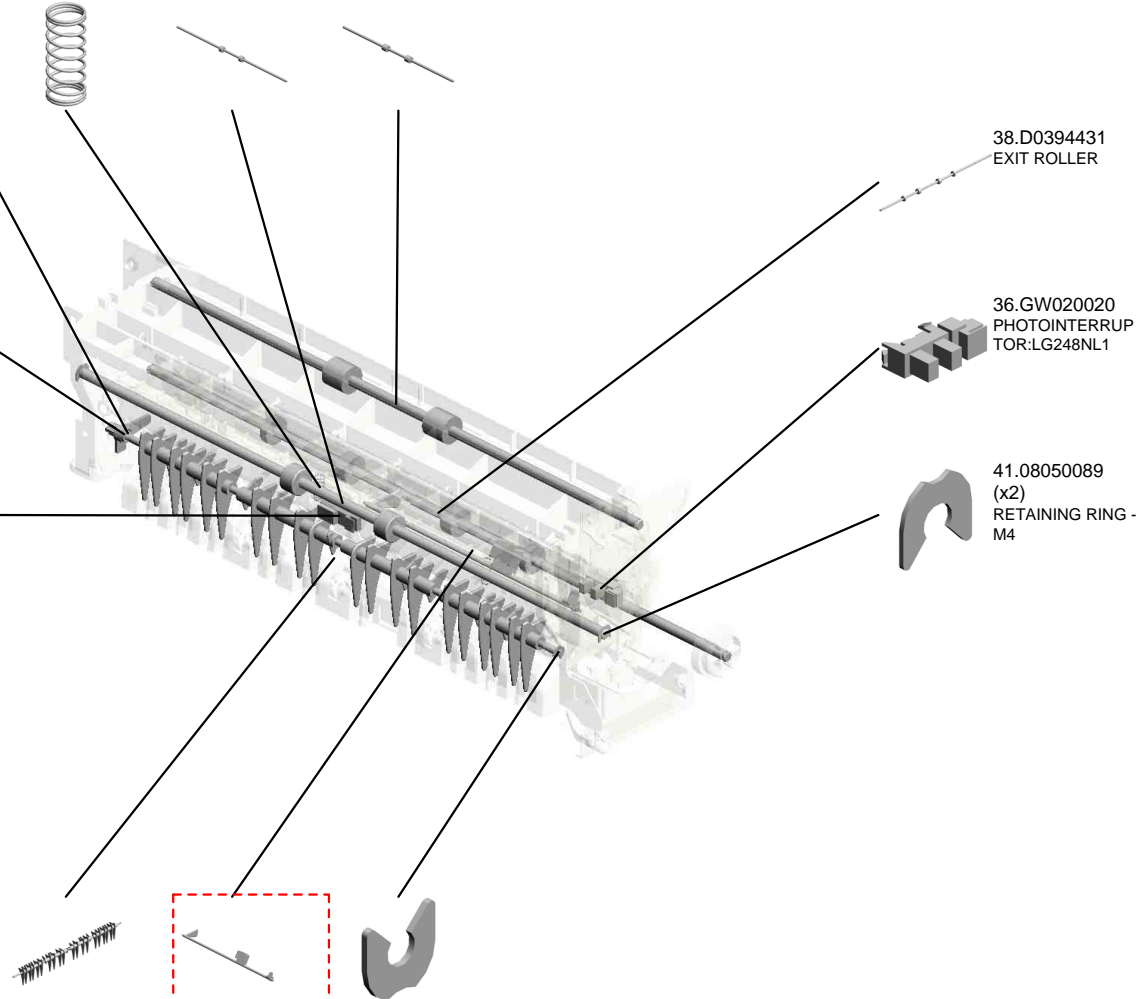
32.D0394973
LEVER:GATE PAWL:FRONT



33.D0394974
TORSION SPRING:LEVER:GATE PAWL



35.GW010007
PHOTO REFLECTIVE SENSOR:EXIT



38.D0394431
EXIT ROLLER

36.GW020020
PHOTO INTERRUPTOR:TOR:LG248NL1

41.08050089 (x2)
RETAINING RING - M4

34.D0394975
GATE PAWL:EXIT: ASS'Y

44.D0394415
FEELER:PHOTO INTERRUPTOR:EXIT
201108-18

42.08050092
RETAINING RING - 3M



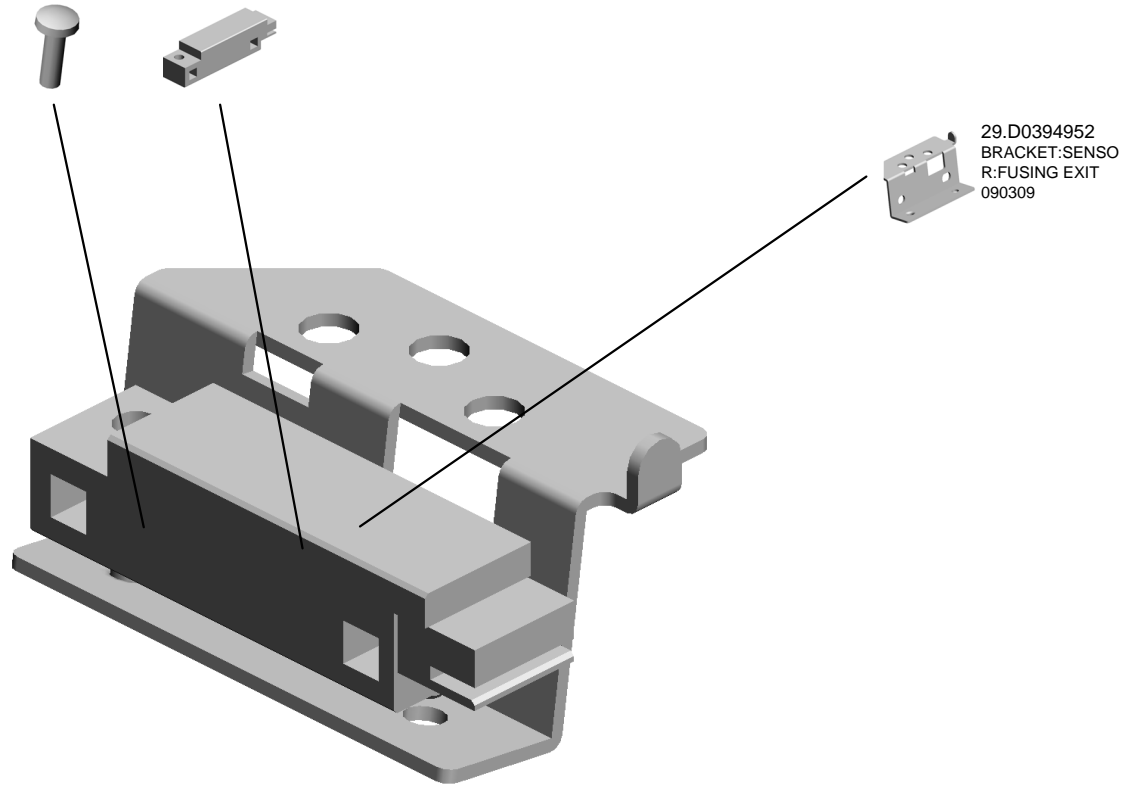
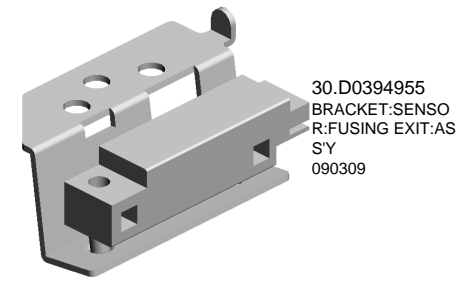
D0394401
[A]
PAPER EXIT UNIT: ASS'Y
201009-03 O/O

U001	U002	U003	U004	U005	U006	U007	U008	U009	U010	U011	U012	U013	U014	U015	U016
------	------	------	------	------	------	------	------	------	------	------	------	------	------	------	------

U004_S001_S001
BRACKET:SENSOR:FUSING EXIT:ASS'Y

2.03530100N
SCREW-M3X10

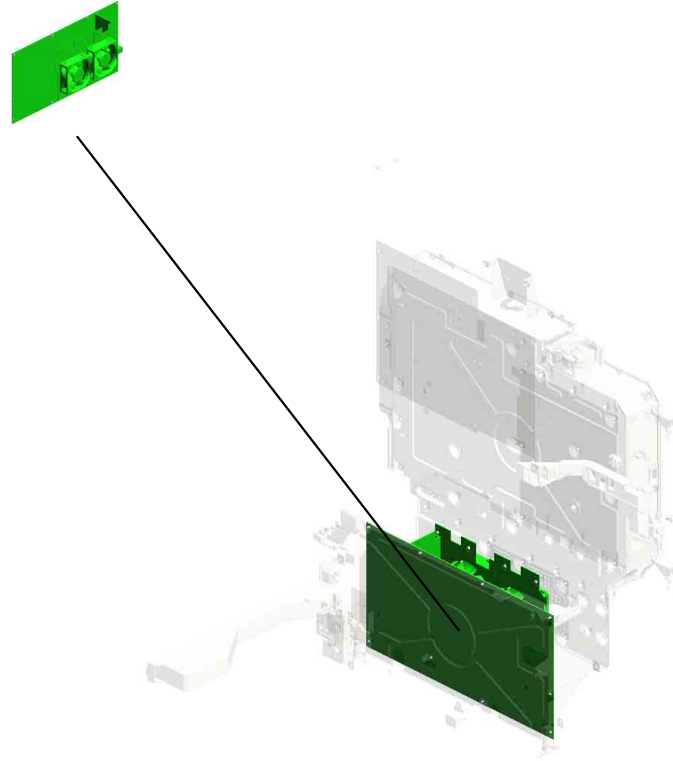
14.AW010143
PHOTO REFLECTIO
N SENSOR:PSR11
TL1R-C



U001	U002	U003	U004	U005	U006	U007	U008	U009	U010	U011	U012	U013	U014	U015	U016
------	------	------	-------------	------	------	------	------	------	------	------	------	------	------	------	------

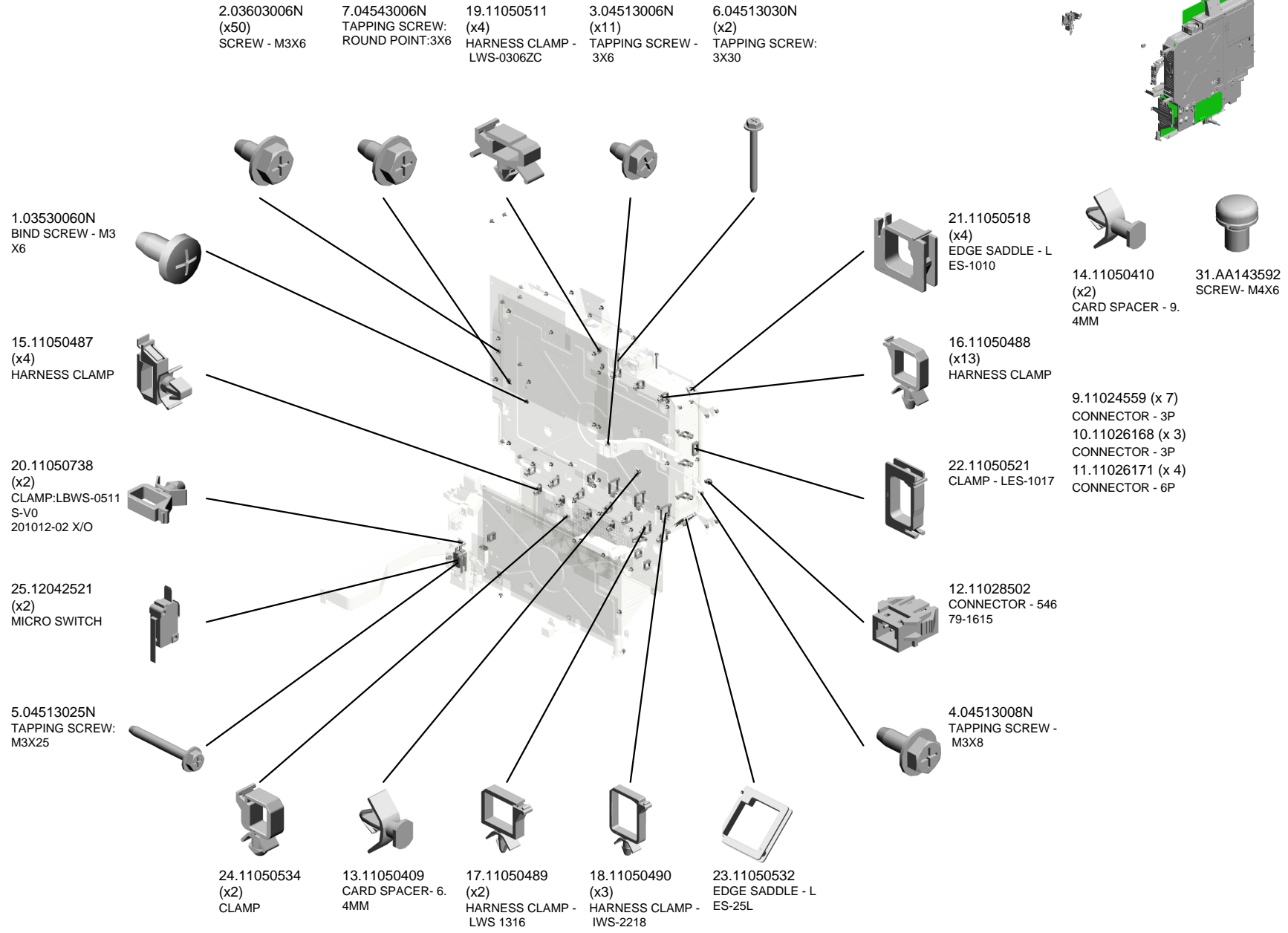
U005.ELECTRICAL

U005_S001
AZ240128
POWER SUPPLY UNIT:EU/A
A/CHN



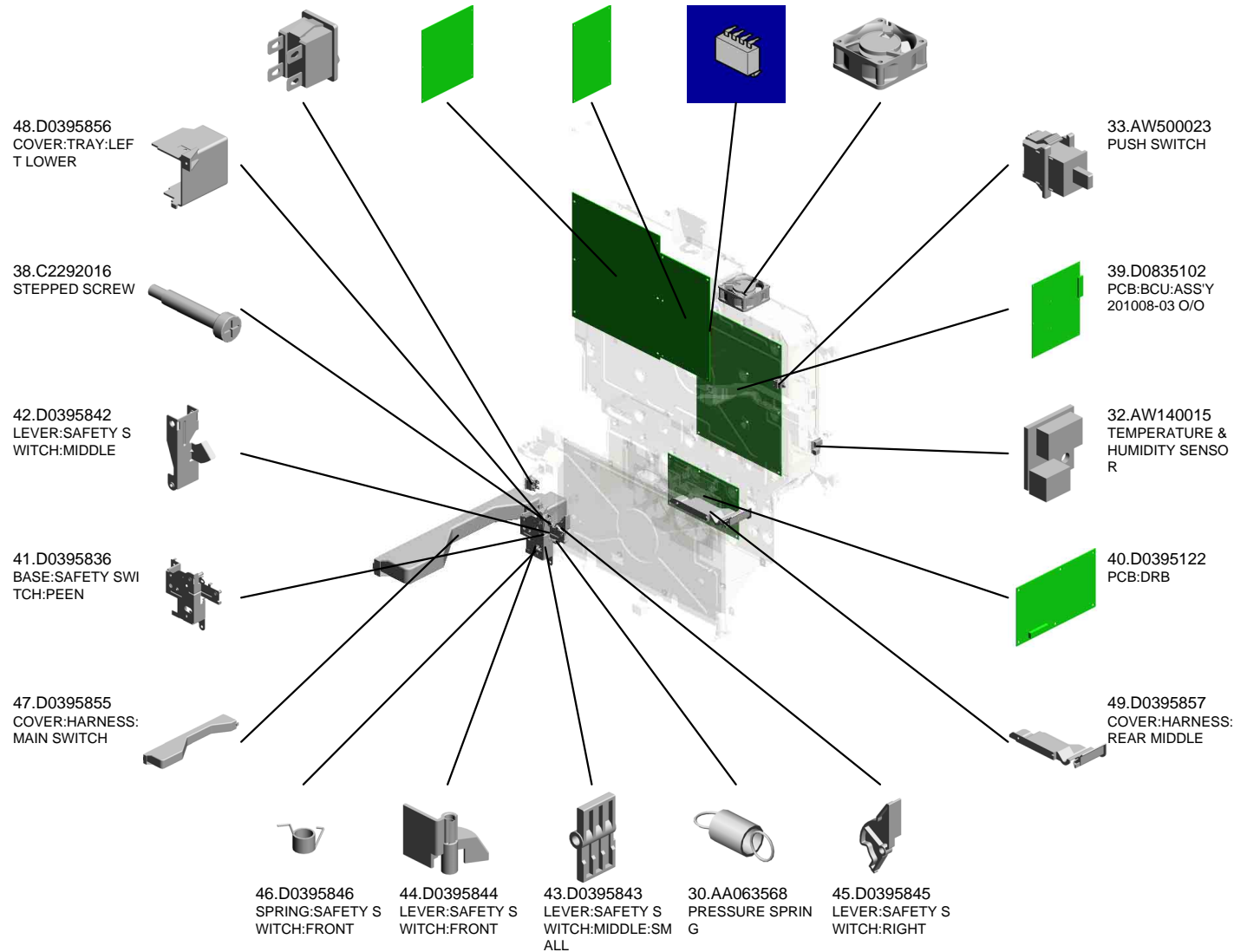
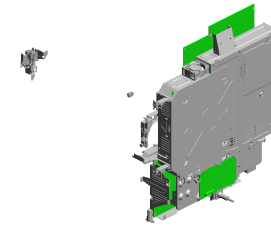
U001	U002	U003	U004	U005	U006	U007	U008	U009	U010	U011	U012	U013	U014	U015	U016
------	------	------	------	------	------	------	------	------	------	------	------	------	------	------	------

U005 ELECTRICAL



U005 ELECTRICAL

- 26.12042608
ROCKER SWITCH:
SDDJE33900
- 37.AZ320181
POWER PACK:CB
- 36.AZ320180
POWER PACK:TTS
:AT-C2
- 27.14077036
EEPROM:AT24C12
8B-PU
- 34.AX640170
FAN MOTOR - MM6
0 DC24V



U001	U002	U003	U004	U005	U006	U007	U008	U009	U010	U011	U012	U013	U014	U015	U016
------	------	------	------	------	------	------	------	------	------	------	------	------	------	------	------

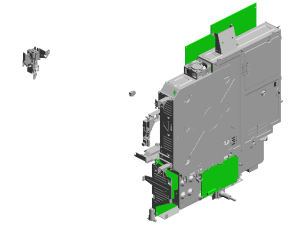
U005 ELECTRICAL

52.D0395862
COVER:TRAY:LEF
T UPPER

59.D0395828
COVER:FAX CONT
ROL UNIT

53.D0395863
COVER:HARNESS:
SCANNER:PEEN

50.D0395858
CASE:HARNESS:F
USING



56.D0415897
COVER:SWITCH:H
EATER

62.08050092
(x2)
RETAINING RING -
3M

54.D0395899
HOLDER:TEMPER
ATURE & HUMIDIT
Y SENSOR

55.D0415355
POWER SUPPLY C
ORD:STOPPER:EU
:ASS'Y

61.08046123
(x6)
HEXAGONAL BOLT
:W/WASHER:M3X8

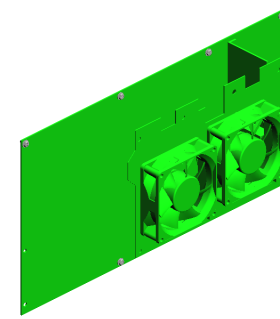
57.D0415899
COVER:CONNECT
OR:HEATER

51.D0395859
(x2)
COVER:BASE:POSI
TIONING PIN

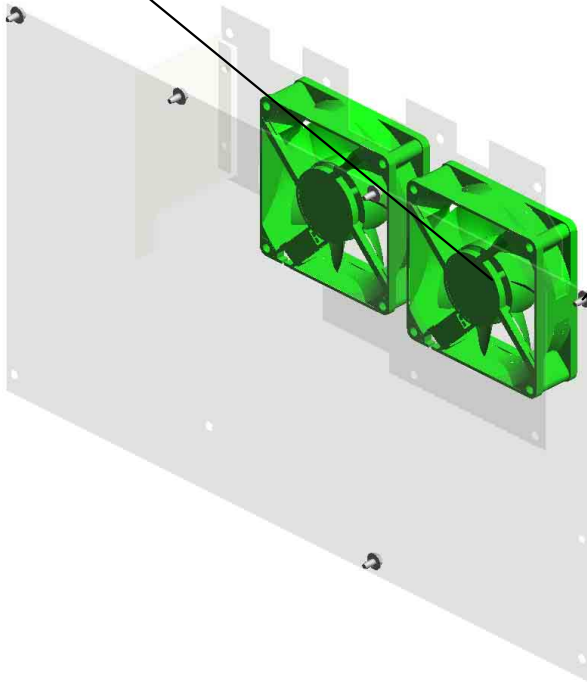
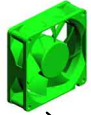
U001	U002	U003	U004	U005	U006	U007	U008	U009	U010	U011	U012	U013	U014	U015	U016
------	------	------	------	-------------	------	------	------	------	------	------	------	------	------	------	------

U005_S001
POWER SUPPLY UNIT:EU/AA/CHN

58.N6114000
(x2)
FAN:MM80



35.AZ240128
POWER SUPPLY U
NIT:EU/AA/CHN



8.09543006N
(x5)
SCREW - M3X6

U001	U002	U003	U004	U005	U006	U007	U008	U009	U010	U011	U012	U013	U014	U015	U016
------	------	------	------	------	------	------	------	------	------	------	------	------	------	------	------

U006.MAIN DRIVE

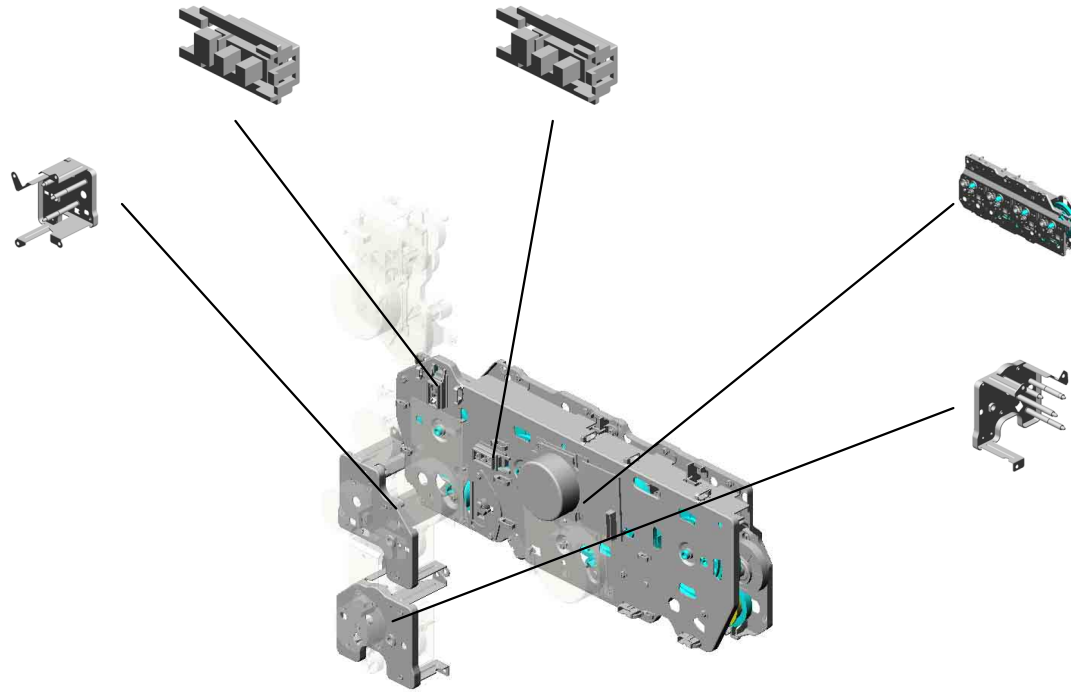
U006_S002
D0391148
POSITIONING SENSOR:DRU
M:ASS'Y

U006_S003
D0391148
POSITIONING SENSOR:DRU
M:ASS'Y

U006_S004
D0391158
BRACKET:PAPER FEED:NO.
1:ASS'Y

U006_S001
D0391188
DRIVE UNIT:DRUM:DEVELO
PMENT:ASS'Y

U006_S005
D0391172
BRACKET:PAPER FEED:NO.
2:ASS'Y



U001	U002	U003	U004	U005	U006	U007	U008	U009	U010	U011	U012	U013	U014	U015	U016
------	------	------	------	------	-------------	------	------	------	------	------	------	------	------	------	------

U006 MAIN DRIVE

25.AB017769
GEAR:EXIT:NO.1

23.AB017767
GEAR:FUSING:NO.
1

26.AB017770
GEAR:EXIT:NO.2

20.AB016000
GEAR:EXIT:NO.3

24.AB017768
GEAR:FUSING:NO.
2

22.AB017766
GEAR:REGISTRATION

28.AX050303
STEPPER MOTOR:
REGISTRATION:DI
A49

4.04543006Q
(x8)
TAPPING SCREW -
M3X6

7.07200040E
(x12)
RETAINING RING -
M4

21.AB017765
(x4)
GEAR:PAPER FEE
D:NO.1

3.04533006N
(x6)
TAPPING SCREW -
M3X6

27.AX050302
(x2)
STEPPER MOTOR:
TRANSPORT

18.AB011288
GEAR:PAPER FEE
D:NO.3

19.AB011289
GEAR:PAPER FEE
D:NO.4

11.11050738
CLAMP:LBWS-0511
S-V0
201005-01 O/O

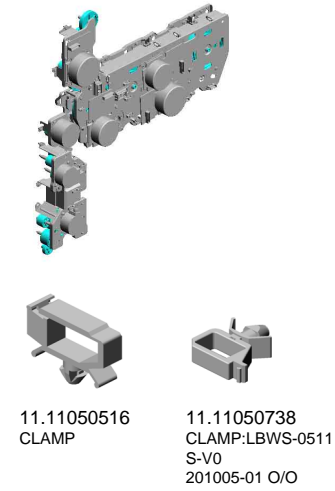
29.AX060000
BRUSHLESS MOT
OR:DRUM

17.AB011287
(x2)
GEAR:PAPER FEE
D:NO.2

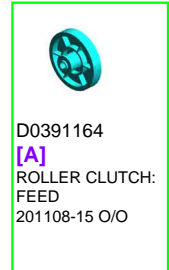
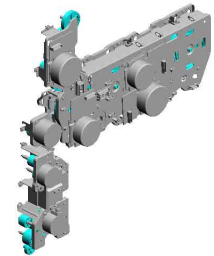
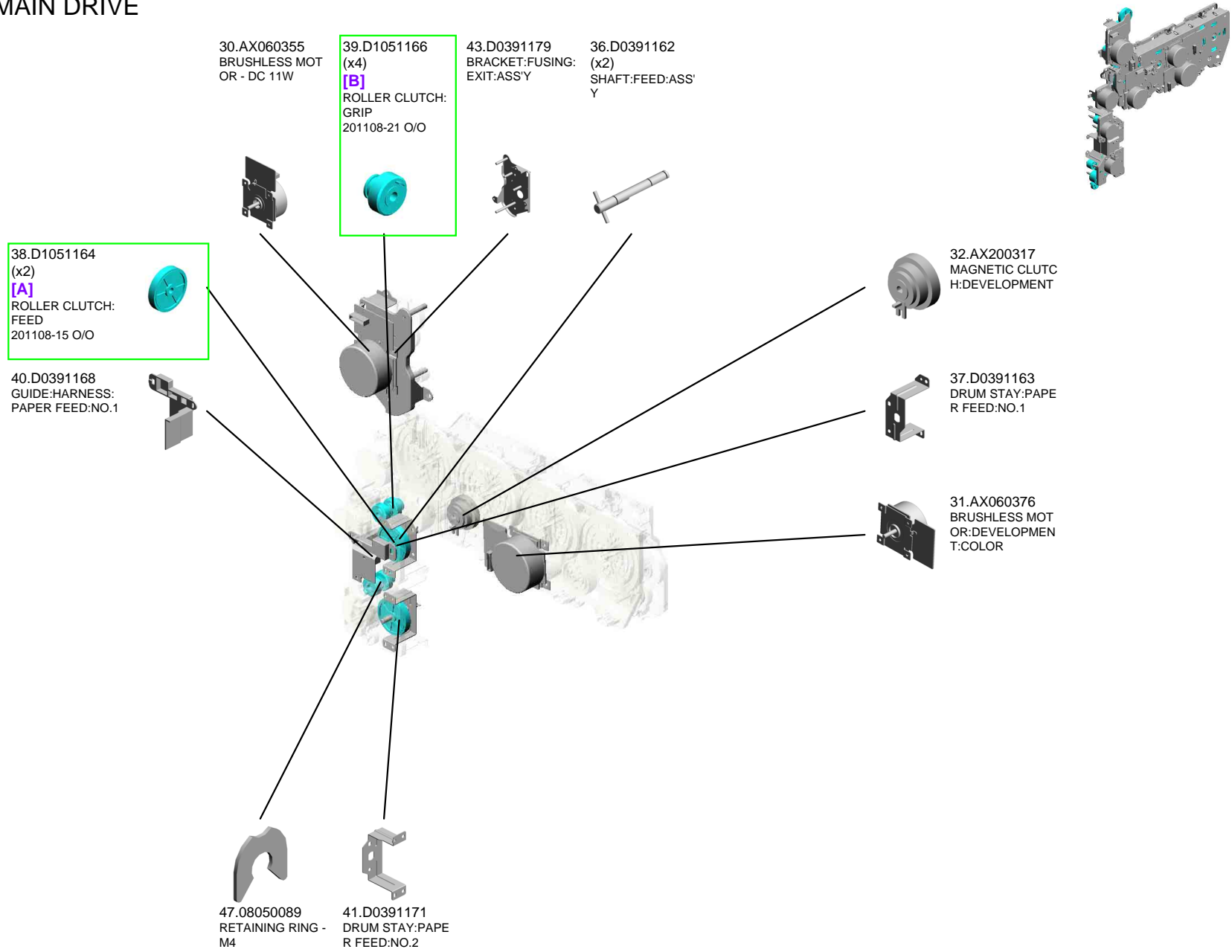
2.04513006N
(x11)
TAPPING SCREW -
3X6

1.03603006N
(x9)
SCREW - M3X6

15.AA082101
(x2)
BUSHING - 6X10X6



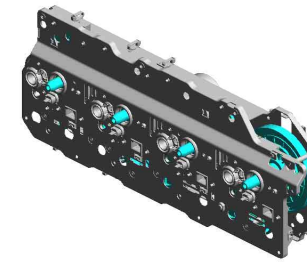
U006 MAIN DRIVE



U001	U002	U003	U004	U005	U006	U007	U008	U009	U010	U011	U012	U013	U014	U015	U016
------	------	------	------	------	------	------	------	------	------	------	------	------	------	------	------

U006_S001
DRIVE UNIT:DRUM:DEVELOPMENT:ASS'Y

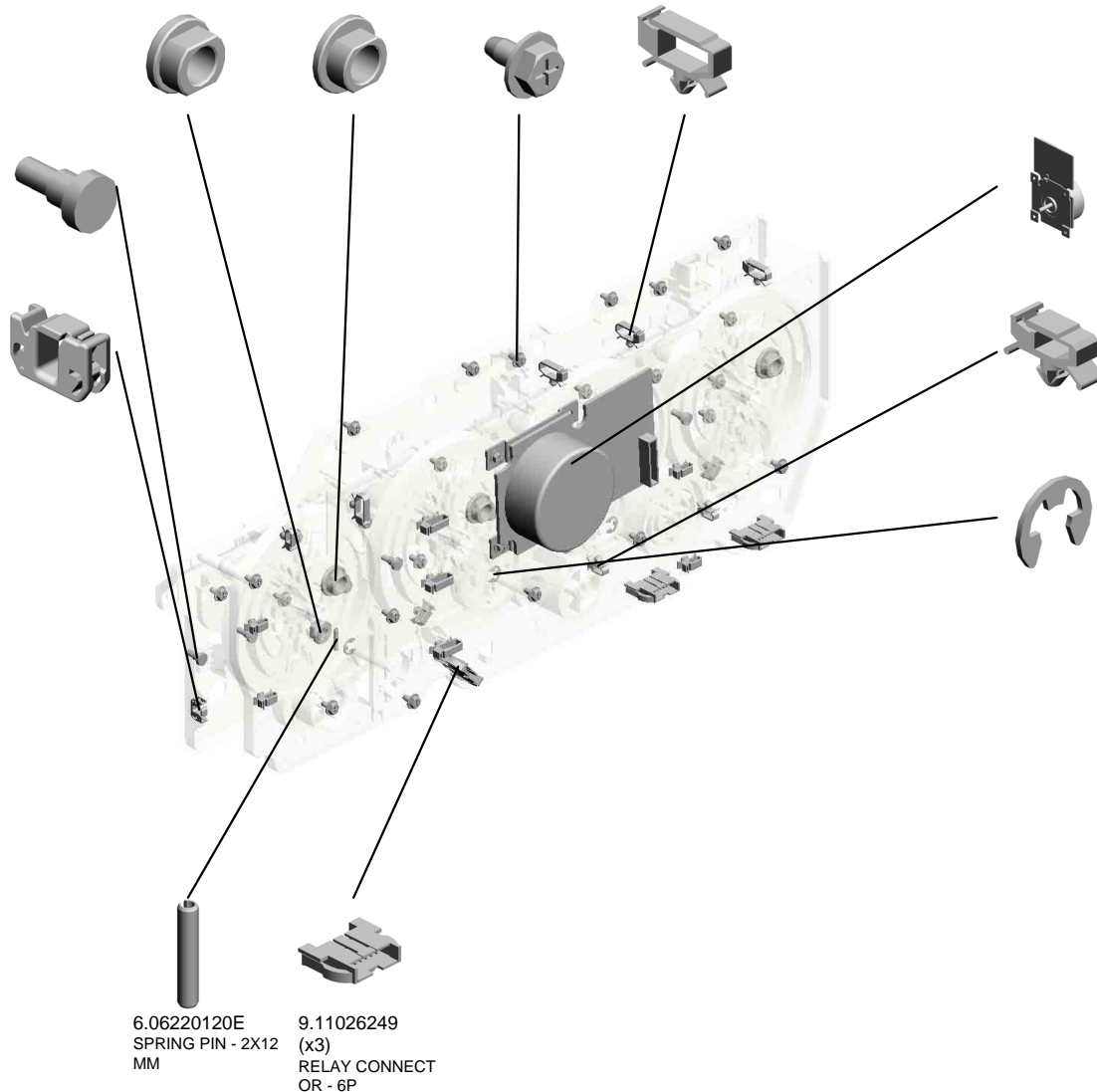
15.AA082101 BUSHING - 6X10X6
16.AA082104 (x4) BUSHING - 8X12X7
1.03603006N (x31) SCREW - M3X6
11.11050516 (x7) CLAMP



44.D0391188
[A]
DRIVE UNIT:DRUM
:DEVELOPMENT:A
SS'Y
090309 X/O

13.52164198
(x8)
STEPPED SCREW -
GUIDE PLATE

12.11050692
CLAMP:LES-0503



6.06220120E
SPRING PIN - 2X12
MM

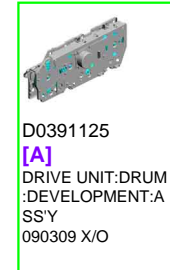
9.11026249
(x3)
RELAY CONNECT
OR - 6P

29.AX060000
BRUSHLESS MOT
OR:DRUM

5.04563008N (x 1)
TAPPING SCREW - M3X8
8.11026171 (x 4)
CONNECTOR - 6P

10.11050511
(x10)
HARNESS CLAMP -
LWS-0306ZC

7.07200040E
(x4)
RETAINING RING -
M4

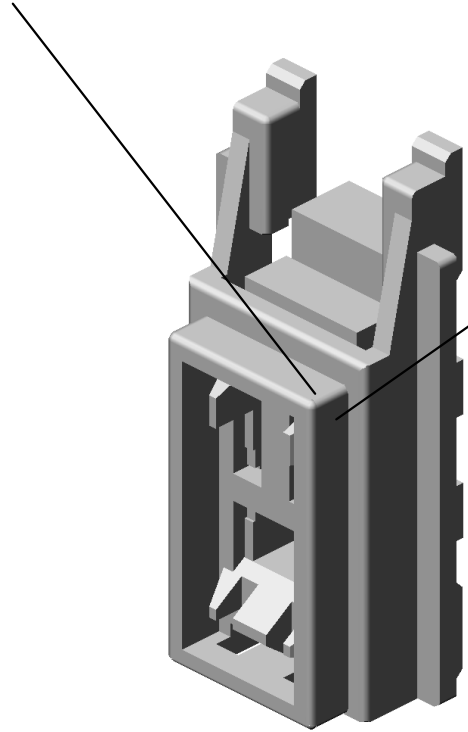
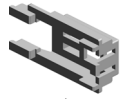


D0391125
[A]
DRIVE UNIT:DRUM
:DEVELOPMENT:A
SS'Y
090309 X/O

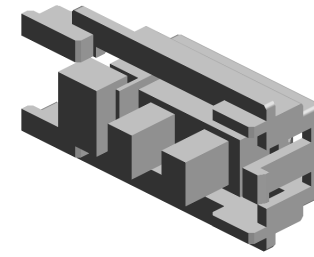
U006_S002

POSITIONING SENSOR:DRUM:ASS'Y

33.B2231144
HOLDER:POSITIO
NING SENSOR



45.GW020020
PHOTOINTERRUP
TOR:LG248NL1

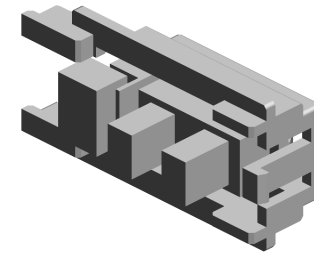
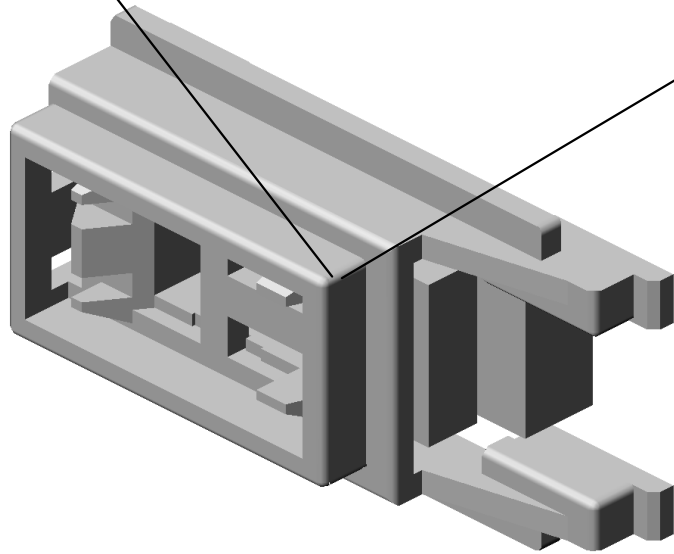


34.D0391148
POSITIONING SEN
SOR:DRUM:ASS'Y

U001	U002	U003	U004	U005	U006	U007	U008	U009	U010	U011	U012	U013	U014	U015	U016
------	------	------	------	------	-------------	------	------	------	------	------	------	------	------	------	------

U006_S003
POSITIONING SENSOR:DRUM:ASS'Y

45.GW020020
PHOTOINTERRUP
TOR:LG248NL1



34.D0391148
POSITIONING SEN
SOR:DRUM:ASS'Y

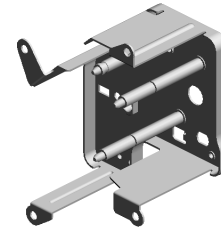


33.B2231144
HOLDER:POSITIO
NING SENSOR

U001	U002	U003	U004	U005	U006	U007	U008	U009	U010	U011	U012	U013	U014	U015	U016
------	------	------	------	------	-------------	------	------	------	------	------	------	------	------	------	------

U006_S004
BRACKET:PAPER FEED:NO.1:ASS'Y

15.AA082101
BUSHING - 6X10X6

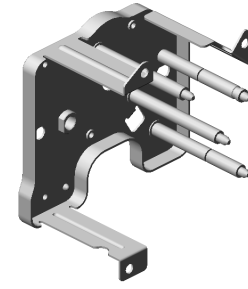
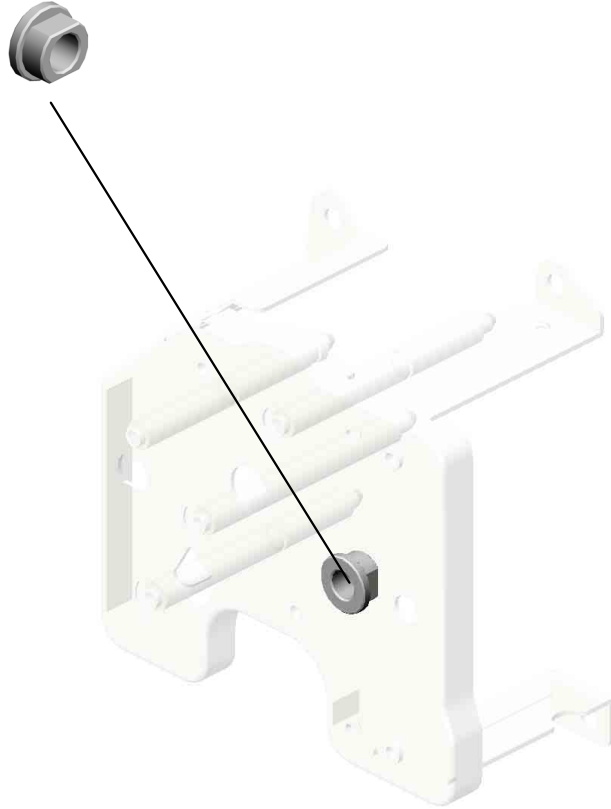


35.D0391158
BRACKET:PAPER
FEED:NO.1:ASS'Y

U001	U002	U003	U004	U005	U006	U007	U008	U009	U010	U011	U012	U013	U014	U015	U016
------	------	------	------	------	-------------	------	------	------	------	------	------	------	------	------	------

U006_S005
BRACKET:PAPER FEED:NO.2:ASS'Y

15.AA082101
BUSHING - 6X10X6

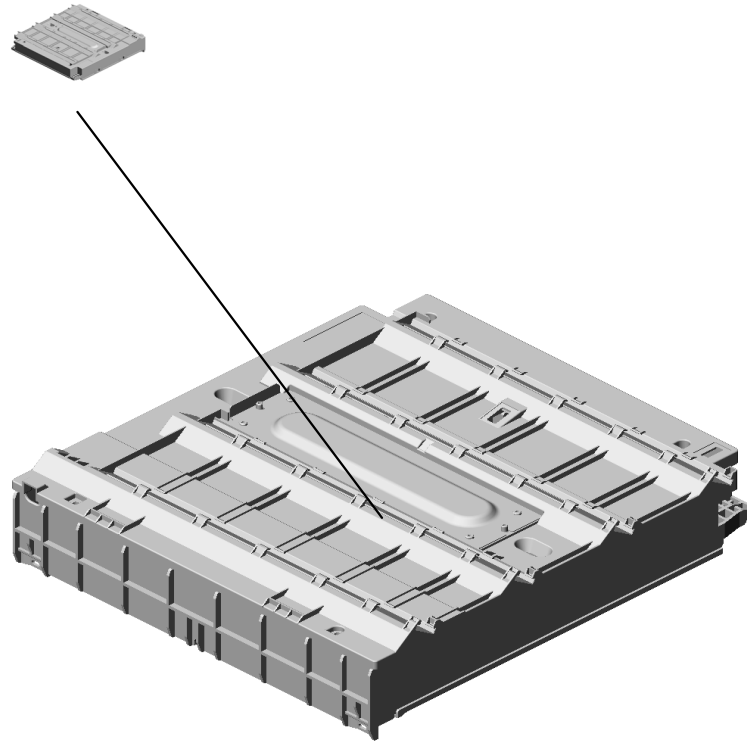


42.D0391172
BRACKET:PAPER
FEED:NO.2:ASS'Y

U001	U002	U003	U004	U005	U006	U007	U008	U009	U010	U011	U012	U013	U014	U015	U016
------	------	------	------	------	-------------	------	------	------	------	------	------	------	------	------	------

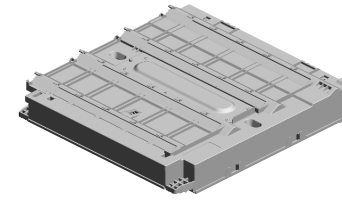
U007.LASER UNIT

U007_S001
D0391855
IMAGE FORMING SECTION:
SERVICE PARTS:ASS'Y



U001	U002	U003	U004	U005	U006	U007	U008	U009	U010	U011	U012	U013	U014	U015	U016
------	------	------	------	------	------	------	------	------	------	------	------	------	------	------	------

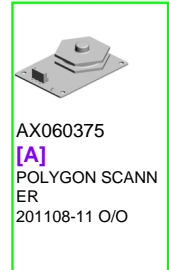
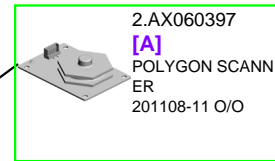
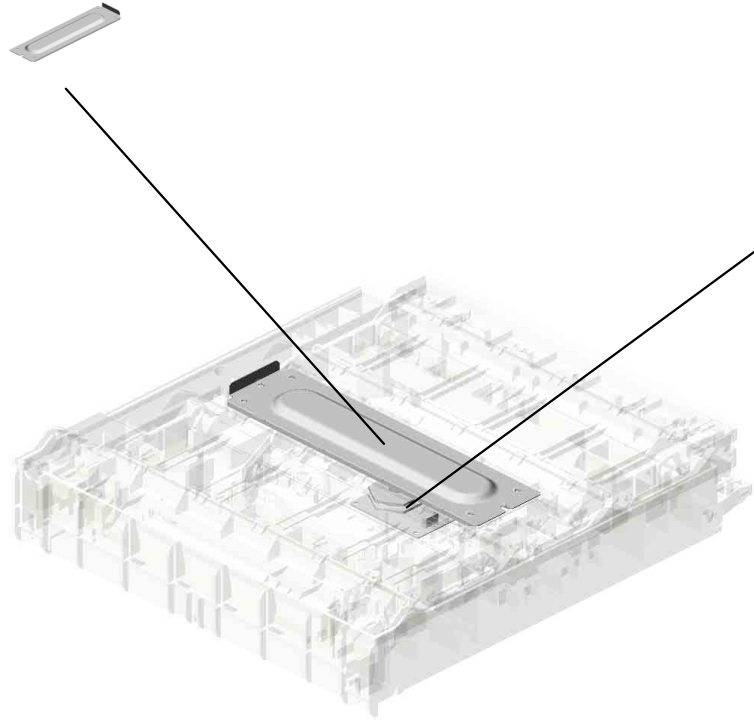
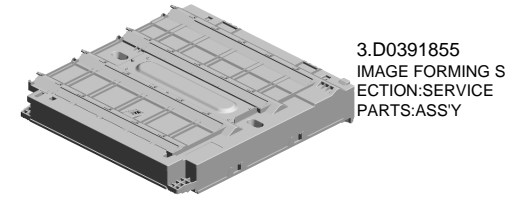
U007
LASER UNIT



U001	U002	U003	U004	U005	U006	U007	U008	U009	U010	U011	U012	U013	U014	U015	U016
------	------	------	------	------	------	------	------	------	------	------	------	------	------	------	------

U007_S001
IMAGE FORMING SECTION:SERVICE PARTS:ASS'Y

4.D0391975
COVER:POLYGON
SCANNER:ASS'Y



U001	U002	U003	U004	U005	U006	U007	U008	U009	U010	U011	U012	U013	U014	U015	U016
------	------	------	------	------	------	------	------	------	------	------	------	------	------	------	------

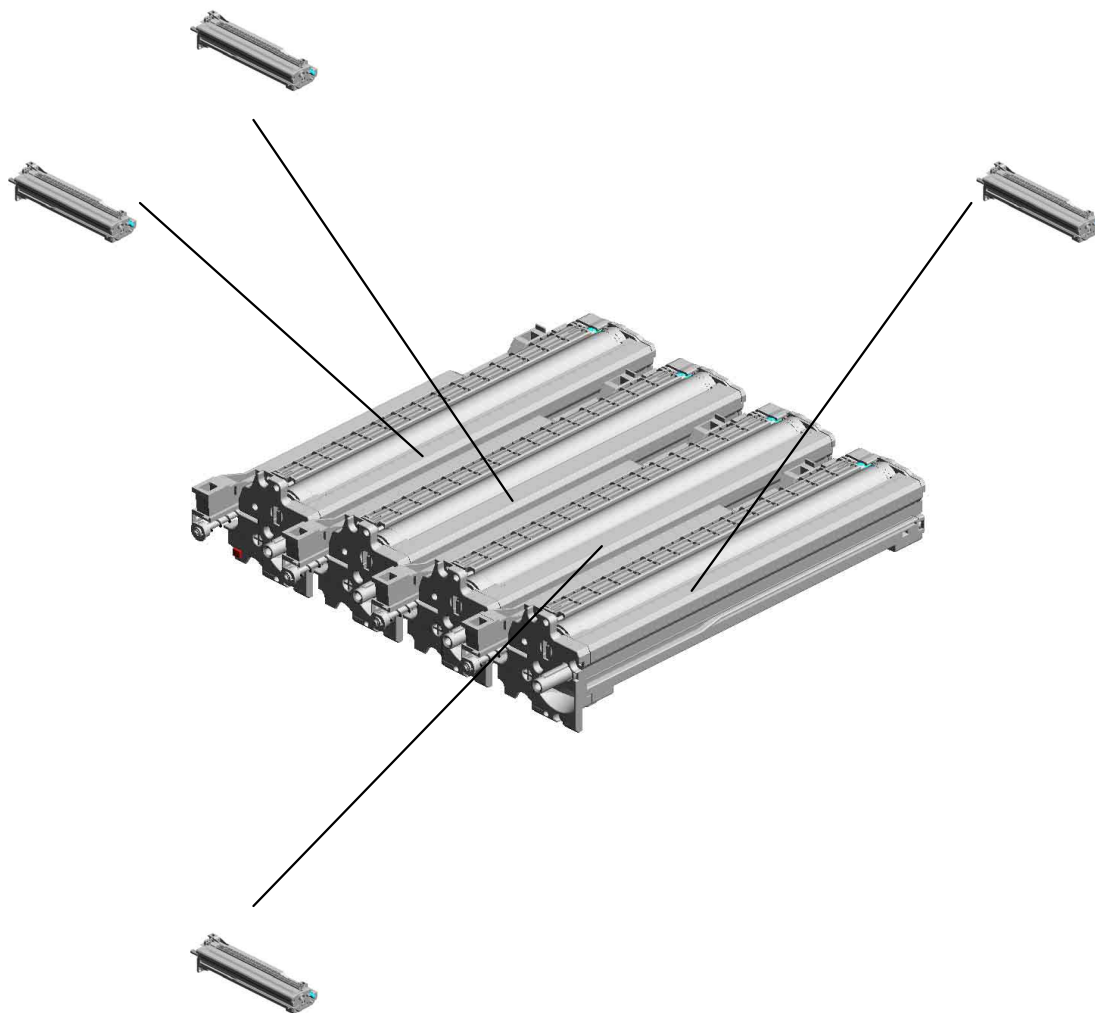
U008.PCDU

U008_S003
D8092012
PCU:M:SERVICE

U008_S004
D8092013
PCU:Y:SERVICE

U008_S001
D8092010
PCU:BK:SERVICE

U008_S002
D8092011
PCU:C:SERVICE



U001	U002	U003	U004	U005	U006	U007	U008	U009	U010	U011	U012	U013	U014	U015	U016
------	------	------	------	------	------	------	-------------	------	------	------	------	------	------	------	------

U008_S001.PCU:BK:SERVICE

U008_S001_S001
D8093001
DEVELOPMENT UNIT: BK:SE
RVICE: ASS'Y



U001	U002	U003	U004	U005	U006	U007	U008	U009	U010	U011	U012	U013	U014	U015	U016
------	------	------	------	------	------	------	-------------	------	------	------	------	------	------	------	------

U008_S002.PCU:C:SERVICE

U008_S002_S001
D8093002
DEVELOPMENT UNIT:C:SER
VICE:ASSY



U001	U002	U003	U004	U005	U006	U007	U008	U009	U010	U011	U012	U013	U014	U015	U016
------	------	------	------	------	------	------	-------------	------	------	------	------	------	------	------	------

U008_S003.PCU:M:SERVICE

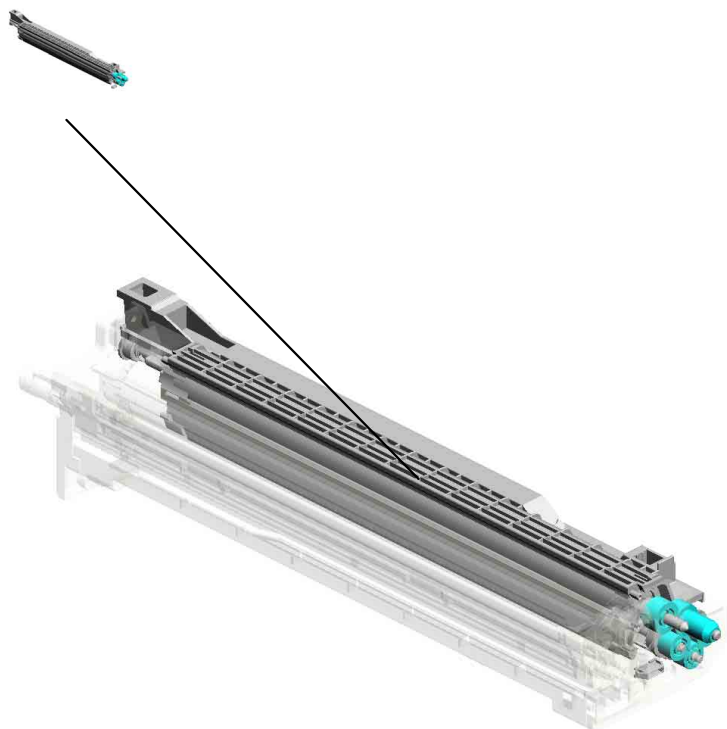
U008_S003_S001
D8093003
DEVELOPMENT UNIT:M:SER
VICE:ASSY



U001	U002	U003	U004	U005	U006	U007	U008	U009	U010	U011	U012	U013	U014	U015	U016
------	------	------	------	------	------	------	-------------	------	------	------	------	------	------	------	------

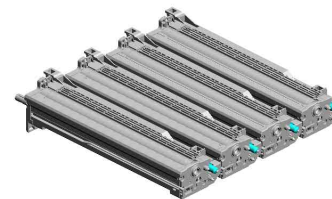
U008_S004.PCU:Y:SERVICE

U008_S004_S001
D8093004
DEVELOPMENT UNIT:Y:SER
VICE:ASSY



U001	U002	U003	U004	U005	U006	U007	U008	U009	U010	U011	U012	U013	U014	U015	U016
------	------	------	------	------	------	------	-------------	------	------	------	------	------	------	------	------

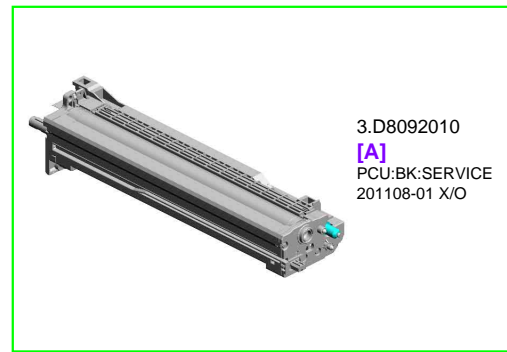
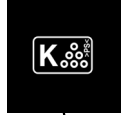
U008
PCDU



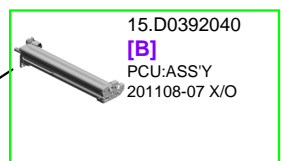
U001	U002	U003	U004	U005	U006	U007	U008	U009	U010	U011	U012	U013	U014	U015	U016
------	------	------	------	------	------	------	-------------	------	------	------	------	------	------	------	------

U008_S001
PCU:BK:SERVICE

14.GA003033
DECAL:SHIELDING
PLATE:DISPLAY:K



3.D8092010
[A]
PCU:BK:SERVICE
201108-01 X/O



15.D0392040
[B]
PCU:ASS'Y
201108-07 X/O



D0392030
[B]
PCU:DIANA:ASS'Y
201108-07 X/O



D8092000
[A]
PCU:BK:SERVICE
201108-01 X/O

U001	U002	U003	U004	U005	U006	U007	U008	U009	U010	U011	U012	U013	U014	U015	U016
------	------	------	------	------	------	------	-------------	------	------	------	------	------	------	------	------

U008_S001_S001
DEVELOPMENT UNIT: BK: SERVICE: ASS'Y

1.AA152138
(x4)
SEAL - G6X10X2

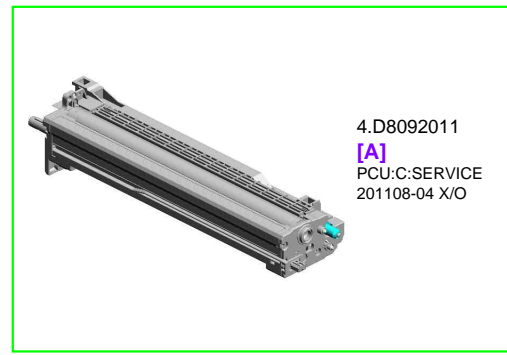


7.D8093001
DEVELOPMENT U
NIT: BK: SERVICE: A
SS'Y

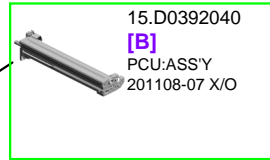
U001	U002	U003	U004	U005	U006	U007	U008	U009	U010	U011	U012	U013	U014	U015	U016
------	------	------	------	------	------	------	-------------	------	------	------	------	------	------	------	------

U008_S002
PCU:C:SERVICE

13.GA003032
DECAL:SHIELDING
PLATE:DISPLAY:C



4.D8092011
[A]
PCU:C:SERVICE
201108-04 X/O



15.D0392040
[B]
PCU:ASS'Y
201108-07 X/O



D0392030
[B]
PCU:DIANA:ASS'Y
201108-07 X/O



D8092001
[A]
PCU:C:SERVICE
201108-04 X/O

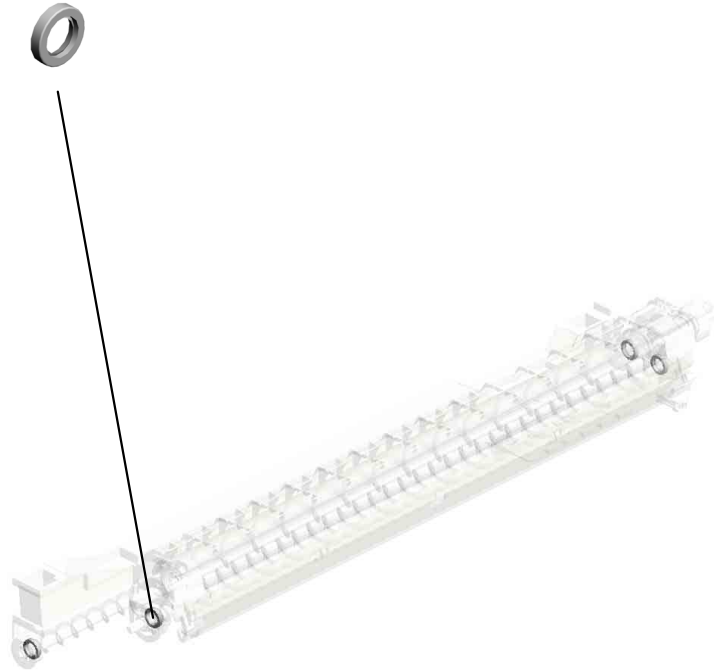
U001	U002	U003	U004	U005	U006	U007	U008	U009	U010	U011	U012	U013	U014	U015	U016
------	------	------	------	------	------	------	-------------	------	------	------	------	------	------	------	------

U008_S002_S001
DEVELOPMENT UNIT:C:SERVICE:ASS'Y

1.AA152138
(x4)
SEAL - G6X10X2



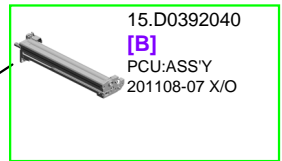
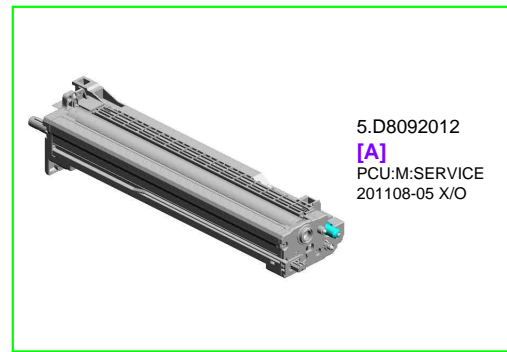
8.D8093002
DEVELOPMENT U
NIT:C:SERVICE:AS
SY



U001	U002	U003	U004	U005	U006	U007	U008	U009	U010	U011	U012	U013	U014	U015	U016
------	------	------	------	------	------	------	-------------	------	------	------	------	------	------	------	------

U008_S003
PCU:M:SERVICE

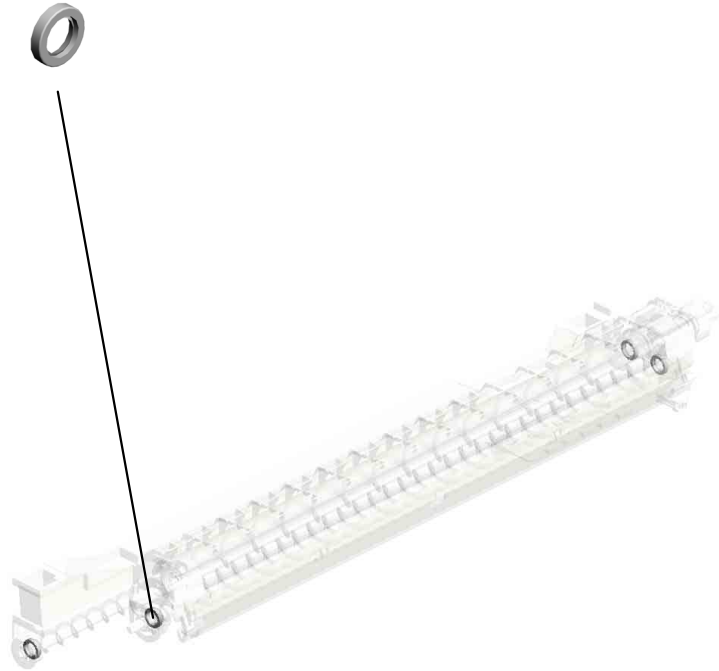
12.GA003031
DECAL:SHIELDING
PLATE:DISPLAY:M



U001	U002	U003	U004	U005	U006	U007	U008	U009	U010	U011	U012	U013	U014	U015	U016
------	------	------	------	------	------	------	-------------	------	------	------	------	------	------	------	------

U008_S003_S001
DEVELOPMENT UNIT:M:SERVICE:ASS'Y

1.AA152138
(x4)
SEAL - G6X10X2

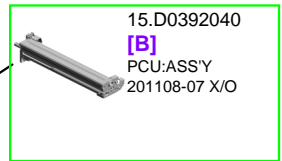
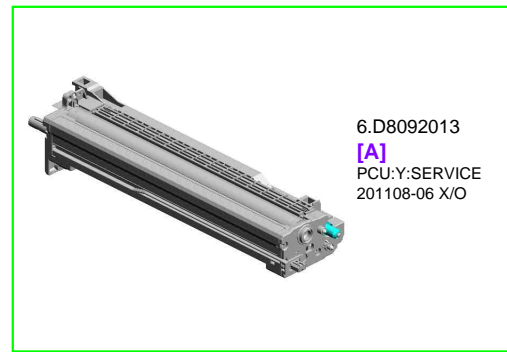


9.D8093003
DEVELOPMENT U
NIT:M:SERVICE:AS
SY

U001	U002	U003	U004	U005	U006	U007	U008	U009	U010	U011	U012	U013	U014	U015	U016
------	------	------	------	------	------	------	-------------	------	------	------	------	------	------	------	------

U008_S004
PCU:Y:SERVICE

11.GA003030
DECAL:SHIELDING
PLATE:DISPLAY:Y



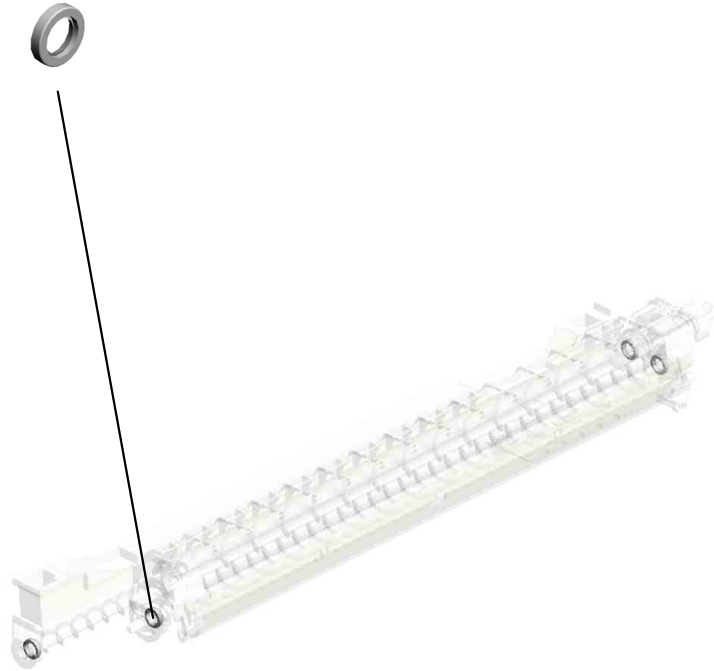
U001	U002	U003	U004	U005	U006	U007	U008	U009	U010	U011	U012	U013	U014	U015	U016
------	------	------	------	------	------	------	-------------	------	------	------	------	------	------	------	------

U008_S004_S001
DEVELOPMENT UNIT:Y:SERVICE:ASS'Y

1.AA152138
(x4)
SEAL - G6X10X2



10.D8093004
DEVELOPMENT U
NIT:Y:SERVICE:AS
SY



U001	U002	U003	U004	U005	U006	U007	U008	U009	U010	U011	U012	U013	U014	U015	U016
------	------	------	------	------	------	------	-------------	------	------	------	------	------	------	------	------

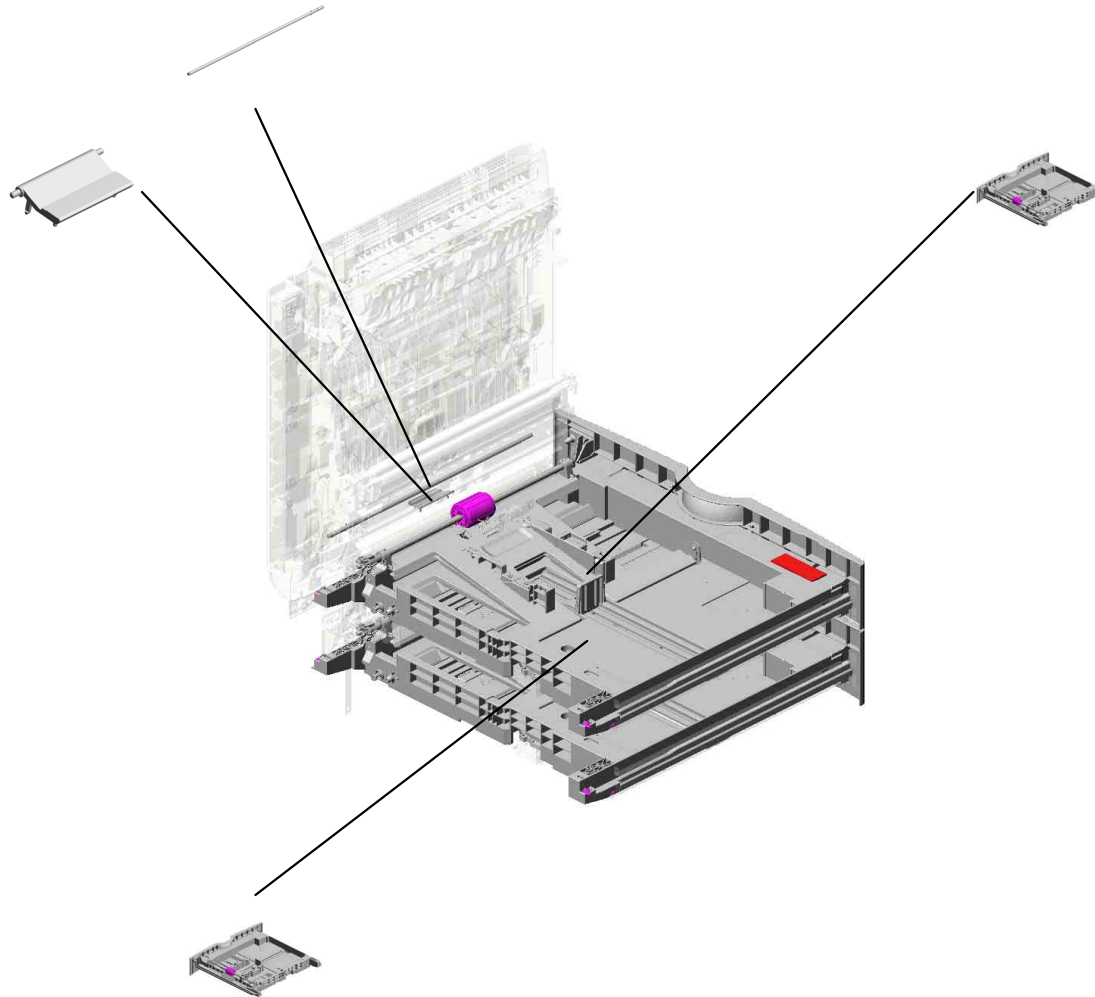
U009.PAPER FEED

U009_S004
D0392796
SHAFT:CAM:ASS'Y

U009_S003
B2614650
SEPARATION PAD

U009_S001
D1062521
PAPER TRAY:NO.1:EU:ASS'Y

U009_S002
D1062522
PAPER TRAY:NO.2:EU:ASS'Y



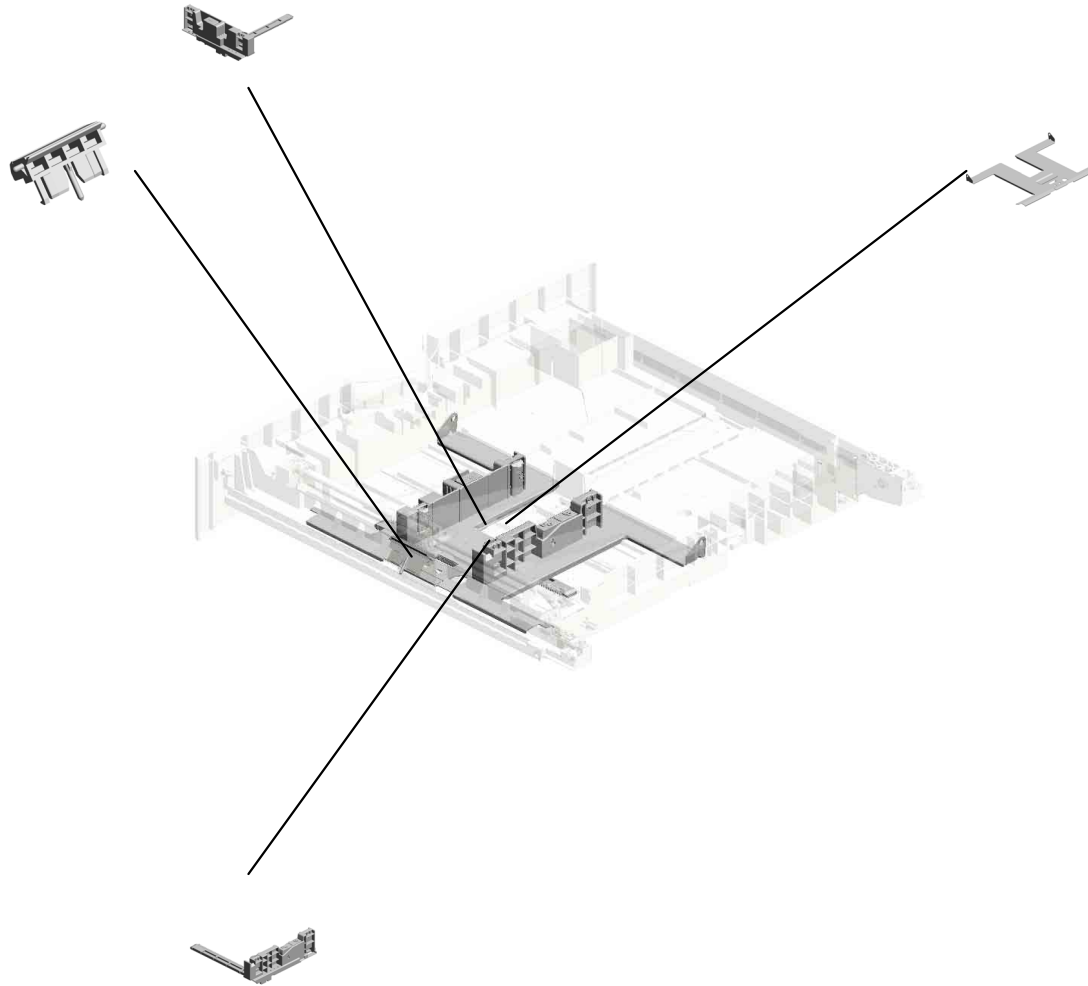
U001	U002	U003	U004	U005	U006	U007	U008	U009	U010	U011	U012	U013	U014	U015	U016
------	------	------	------	------	------	------	------	------	------	------	------	------	------	------	------

U009_S001.PAPER TRAY:NO.1:EU:ASS'Y

U009_S001_S002
D0392583
SIDE FENCE:FRONT:ASS'Y

U009_S001_S001
B1542722
FRICTION PAD:ASS'Y

U009_S001_S004
D0392585
TRAY BOTTOM PLATE:ASS'Y



U009_S001_S003
D0392584
SIDE FENCE:REAR:ASS'Y

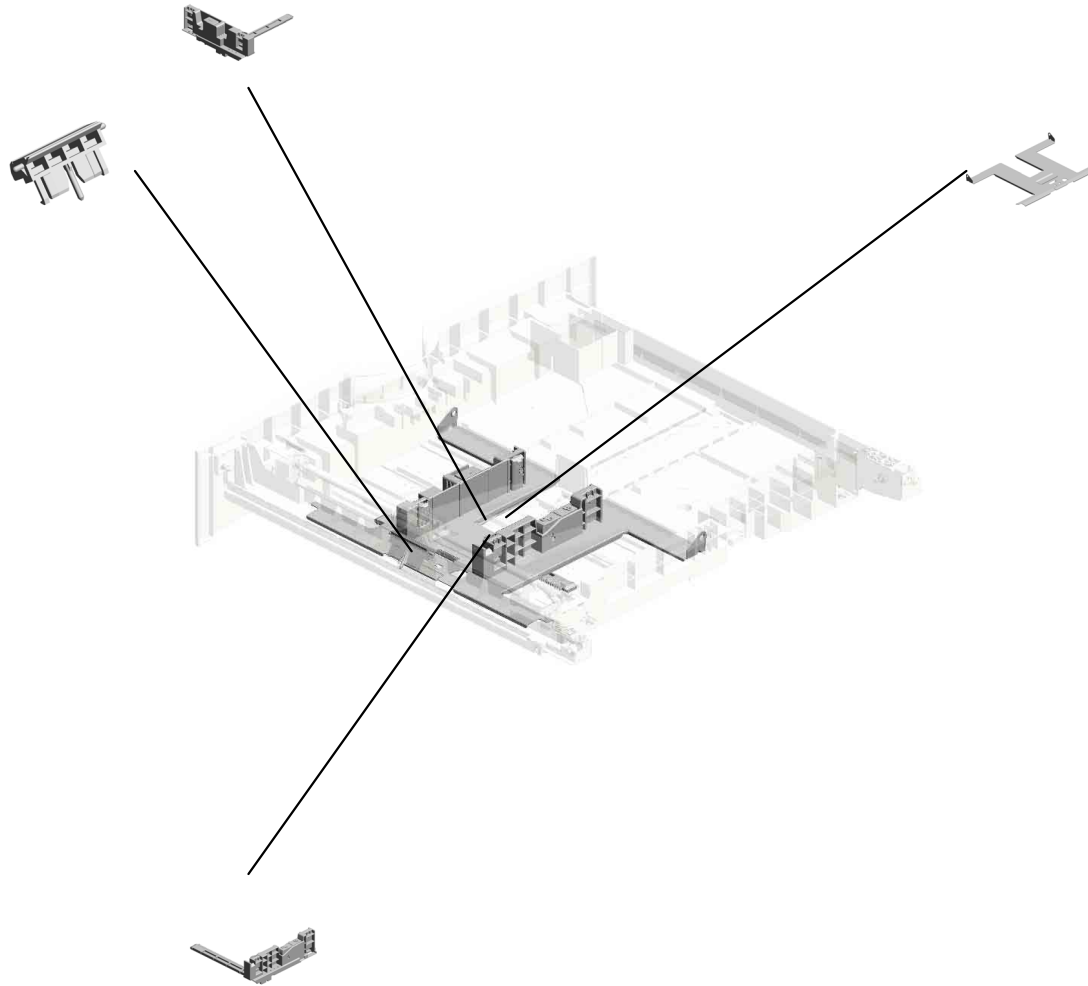
U001	U002	U003	U004	U005	U006	U007	U008	U009	U010	U011	U012	U013	U014	U015	U016
------	------	------	------	------	------	------	------	------	------	------	------	------	------	------	------

U009_S002.PAPER TRAY:NO.2:EU:ASS'Y

U009_S002_S02
D0392583
SIDE FENCE:FRONT:ASS'Y

U009_S002_S001
B1542722
FRICTION PAD:ASS'Y

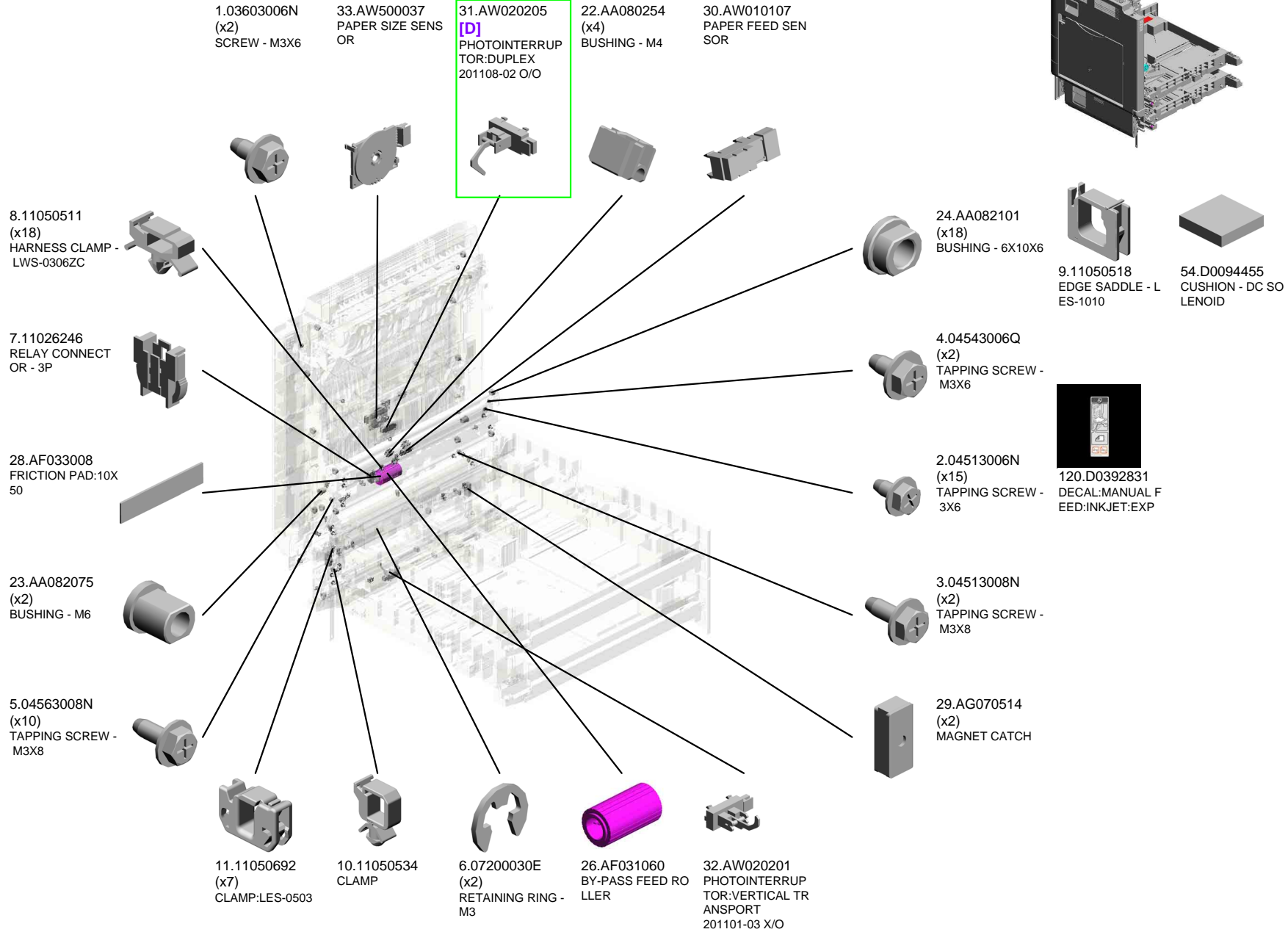
U009_S002_S004
D0392585
TRAY BOTTOM PLATE:ASS'Y



U009_S002_S003
D0392584
SIDE FENCE:REAR:ASS'Y

U001	U002	U003	U004	U005	U006	U007	U008	U009	U010	U011	U012	U013	U014	U015	U016
------	------	------	------	------	------	------	------	------	------	------	------	------	------	------	------

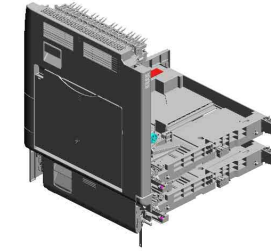
U009 PAPER FEED



U001	U002	U003	U004	U005	U006	U007	U008	U009	U010	U011	U012	U013	U014	U015	U016
------	------	------	------	------	------	------	------	------	------	------	------	------	------	------	------

U009 PAPER FEED

- 56.D0094487 (x4) COMPRESSION SPRING - GATE
- 46.B2234552 (x2) BUSHING-DIA4
- 57.D0094489 (x2) DRIVEN ROLLER
- 55.D0094485 (x4) BUSHING - GATE
- 45.B2234464 (x4) TIMING PULLEY:23 T



50.B2382751
DECAL - SCALE



69.D0392611
REGISTRATION ROLLER:DRIVE



58.D0094664
(x2)
DRIVEN ROLLER



36.B0392628
BOTTOM PLATE PAD



35.AX050302
STEPPER MOTOR:
TRANSPORT



59.D0292677
(x3)
TRANSPORT BELT
:DRIVEN:VERTICAL
TRANSPORT



39.B0434685
SPRING - 2.8N



66.D0392591
GUIDERAIL:RIGHT:
NO.1:ASSY



68.D0392595
GUIDERALE:RIGHT
:NO.2:ASSY



34.AW500038
(x2)
PUSH SWITCH:PA
PER SIZE SENSOR



49.B2382675
(x2)
REGISTRATION ROLLER BUSHING



52.D0092573
(x3)
PULLEY - VERTICAL
TRANSPORT



53.D0092574
(x3)
PULLEY - IDLER



38.B0392730
(x2)
PAPER END SENSOR



67.D0392592
(x2)
GUIDERALE:LEFT:
ASSY



U009 PAPER FEED

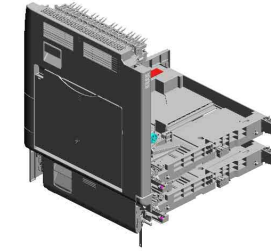
87.D0392735
COVER:MANUAL FEED TABLE

89.D0392738
COVER:PAPER:TRAILING EDGE

78.D0392652
SHEET:REGISTRATION:RIGHT

77.D0392651
GUIDE PLATE:REGISTRATION:RIGHT

71.D0392621
REGISTRATION ROLLER:DRIVEN



88.D0392737
FEELER:PAPER:TRAILING EDGE



73.D0392623
GEAR:REGISTRATION:24Z



70.D0392612
GEAR:REGISTRATION:33Z



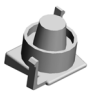
72.D0392622
GEAR:REGISTRATION:21Z



84.D0392720
GEAR:CAM:RIGHT



82.D0392714
HOLDER:COMPRESSION SPRING:SEPARATION PAD



81.D0392713
GUIDE PLATE:MANUAL FEED UNIT:LOWER



83.D0392716
GUIDE PLATE:MANUAL FEED UNIT:UPPER



80.D0392711
LEVER:COMPRESSION SPRING:SEPARATION PAD



86.D0392725
FEELER:MANUAL FEED



79.D0392676
(x2)
TENSION SPRING:REGISTRATION



85.D0392722
GEAR:CAM:LEFT REAR



75.D0392642
SHEET:CLEANER:1ST



74.D0392641
BRACKET:CLEANER

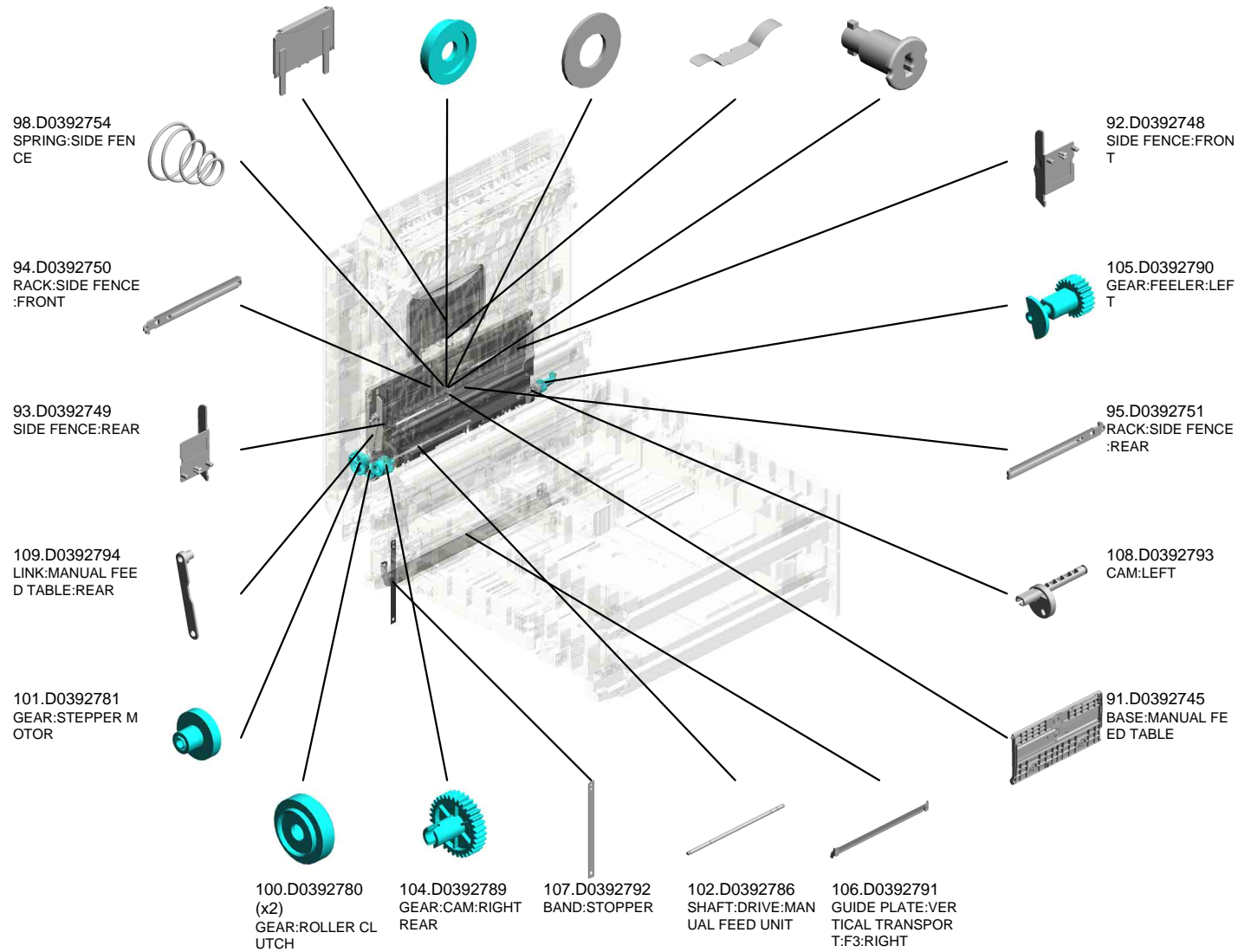
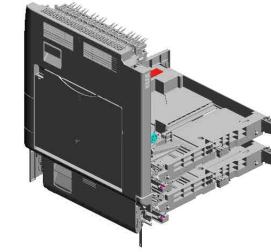


76.D0392645
GUIDE PLATE:REGISTRATION:LEFT



U009 PAPER FEED

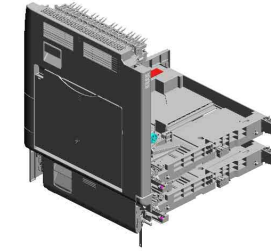
90.D0392739 EXTENSION TRAY: MANUAL FEED
 97.D0392753 GEAR:SIDE FENCE
 96.D0392752 DISC:SIDE FENCE
 99.D0392779 SPRING PLATE:EXTENSION TRAY
 103.D0392788 PIN:SIDE FENCE



U001	U002	U003	U004	U005	U006	U007	U008	U009	U010	U011	U012	U013	U014	U015	U016
------	------	------	------	------	------	------	------	------	------	------	------	------	------	------	------

U009 PAPER FEED

126.D0392912 ROLLER:VERTICAL
TRANSPORT:DRIVE:F1
112.D0392797 TORSION SPRING:
PAPER END SENSOR
113.D0392798 (x2)
SPRING:BASE:2.5N
114.D0392799 RETAINING RINGS
-C:DIA4
110.D0392795 LINK:MANUAL FEED
D TABLE:FRONT



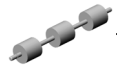
121.D0392832
DECAL:SIDE FENCE:MANUAL FEED



128.D0392921
GUIDE PLATE:VERTICAL TRANSPORT:F1



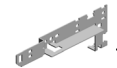
134.D0392933
ROLLER:DRIVEN:F2



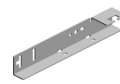
125.D0392909
ROLLER:VERTICAL TRANSPORT:DRIVE:F2



129.D0392923
BRACKET:PHOTO INTERRUPTOR:F2



124.D0392906
ROLLER:VERTICAL TRANSPORT:DRIVE:F3



132.D0392929
BRACKET:PHOTO INTERRUPTOR:F3



137.D0392936
COVER:VERTICAL TRANSPORT



136.D0392935
ROLLER:DRIVEN:F3



133.D0392930
GUIDE PLATE:VERTICAL TRANSPORT:F3:LEFT



135.D0392934
(x4)
BUSHING:DIA4:VERTICAL TRANSPORT



127.D0392916
GUIDE PLATE:VERTICAL TRANSPORT:F2



131.D0392928
SHEET:VERTICAL TRANSPORT:SWIVEL



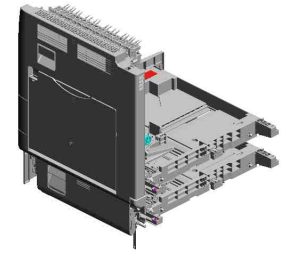
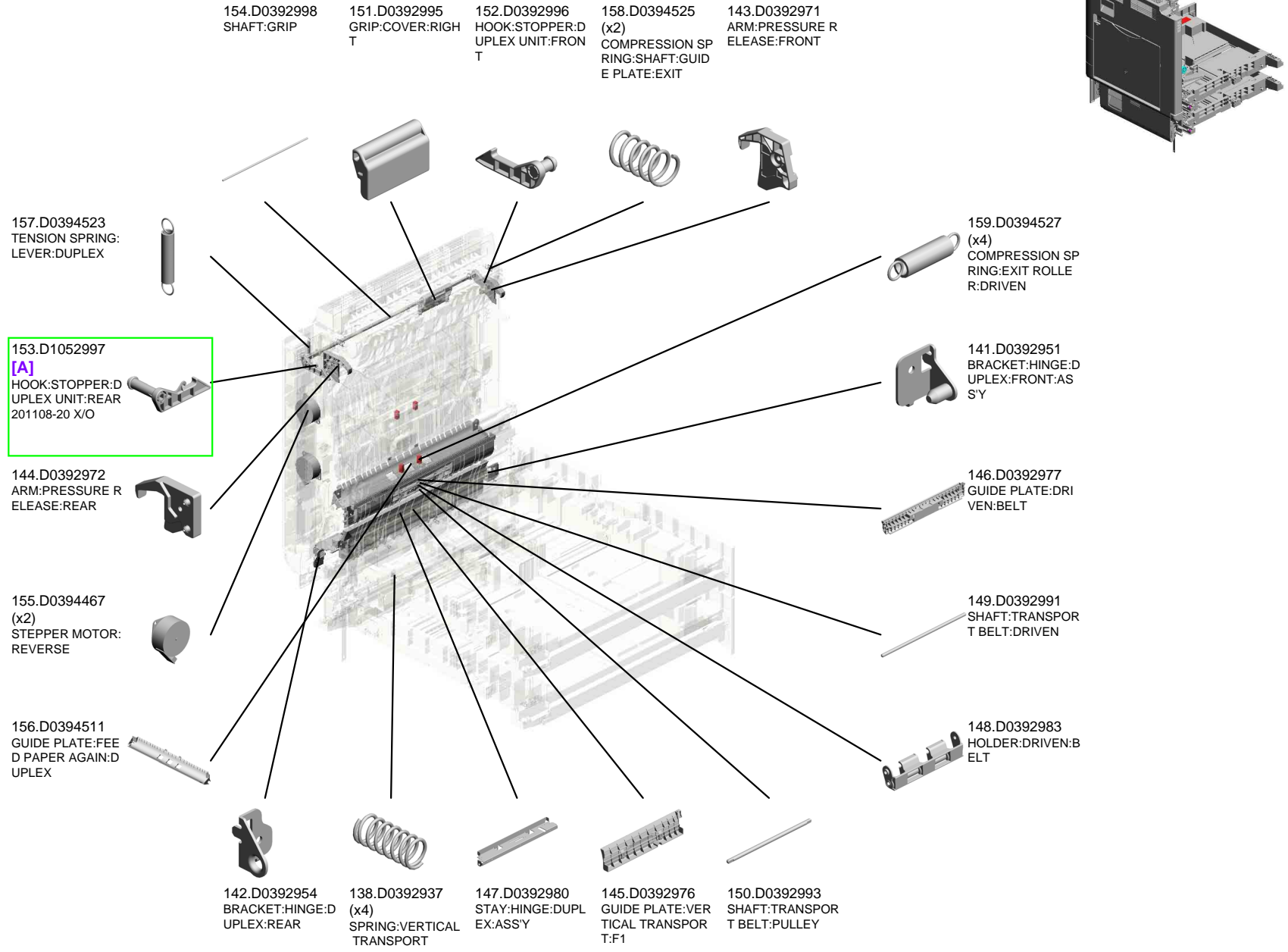
115.D0392801
GROUND PLATE:VERTICAL TRANSPORT



130.D0392927
GUIDE PLATE:VERTICAL TRANSPORT:SWIVEL



U009 PAPER FEED



U001	U002	U003	U004	U005	U006	U007	U008	U009	U010	U011	U012	U013	U014	U015	U016
------	------	------	------	------	------	------	------	------	------	------	------	------	------	------	------

U009 PAPER FEED

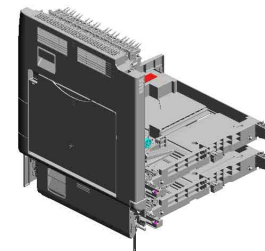
169.D0394542
DRIVEN ROLLER:ENTRANCE:DUPL

177.D0394570
GUIDE PLATE:DUPL
LEX:ENTRANCE

162.D0394530
TRANSPORT ROLLER:DUPL
EX:ENTRANCE

180.D0394583
GATE PAWL:DUPL
EX:ENTRANCE:ASSY

172.D0394547
BRACKET:LEVER:
DUPL:FRONT:ASSY



178.D0394578
FEELER:DUPL:ENTRANCE SENSOR

163.D0394531
TRANSPORT ROLLER:DUPL:ENTRANCE:LOWER

176.D0394569
(x2)
GEAR:DRIVE:DUPL

179.D0394580
COVER:RIGHT

174.D0394564
(x2)
GEAR:IDLER:DUPL

173.D0394553
COVER:CONNECTOR:DUPL

175.D0394565
LINK:DUPL:ASSY

164.D0394532
TRANSPORT ROLLER:DUPL:EXIT

171.D0394544
COVER:SENSOR:DUPL:LOWER

165.D0394533
TRANSPORT ROLLER:DUPL:EXIT

170.D0394543
DECAL:GRIP:Z

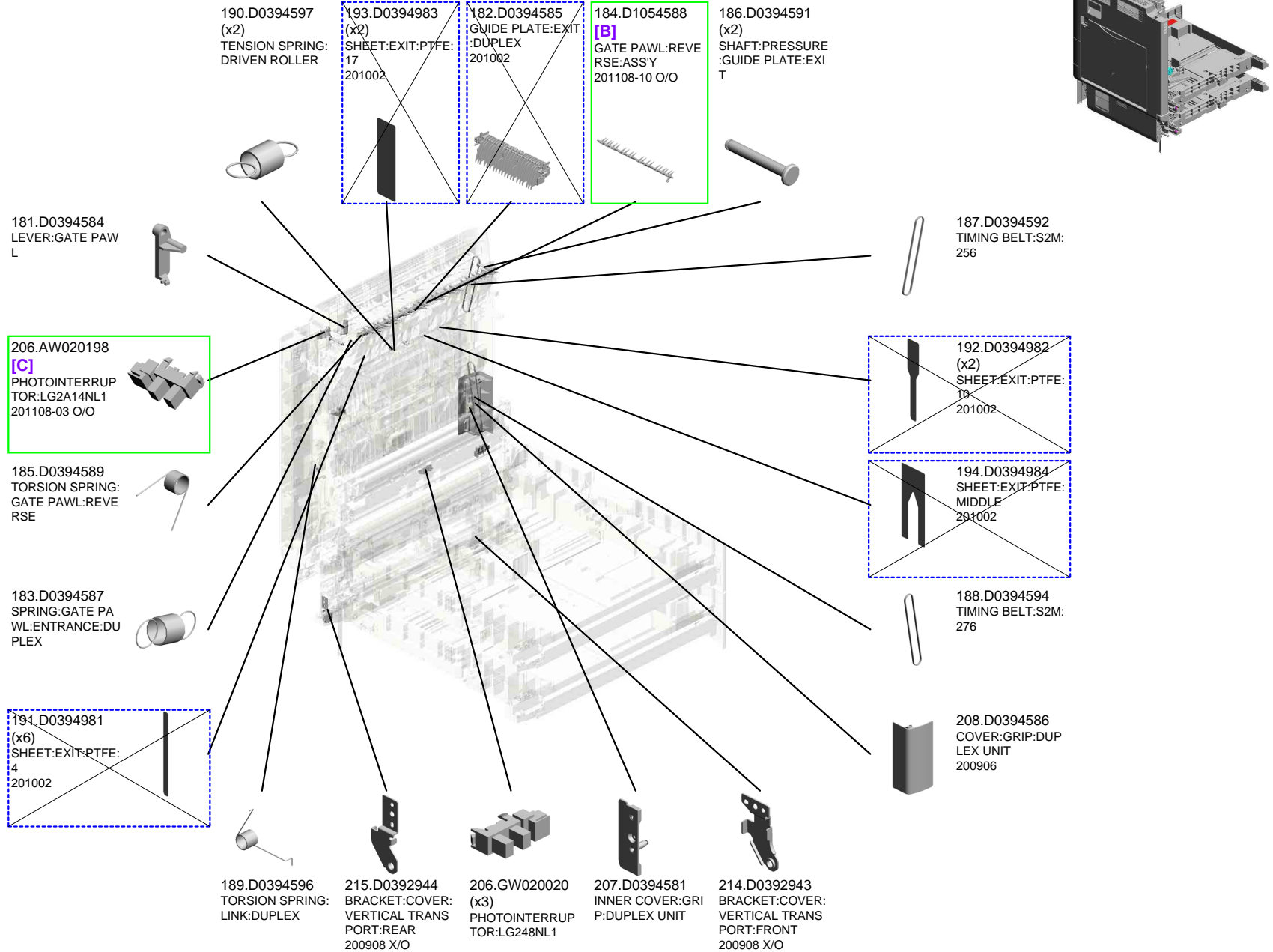
168.D0394541
GUIDE PLATE:ROLLER:DRIVEN

161.D0394529
STOPPER:GUIDE PLATE:ROLLER:DRIVEN

166.D0394539
GUIDE PLATE:ROLLER:DRIVEN

167.D0394540
LINK:DUPL:UNIT:FRONT

U009 PAPER FEED

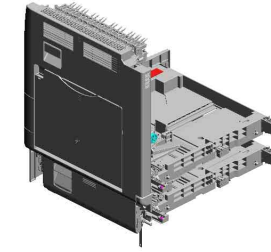


U009 PAPER FEED

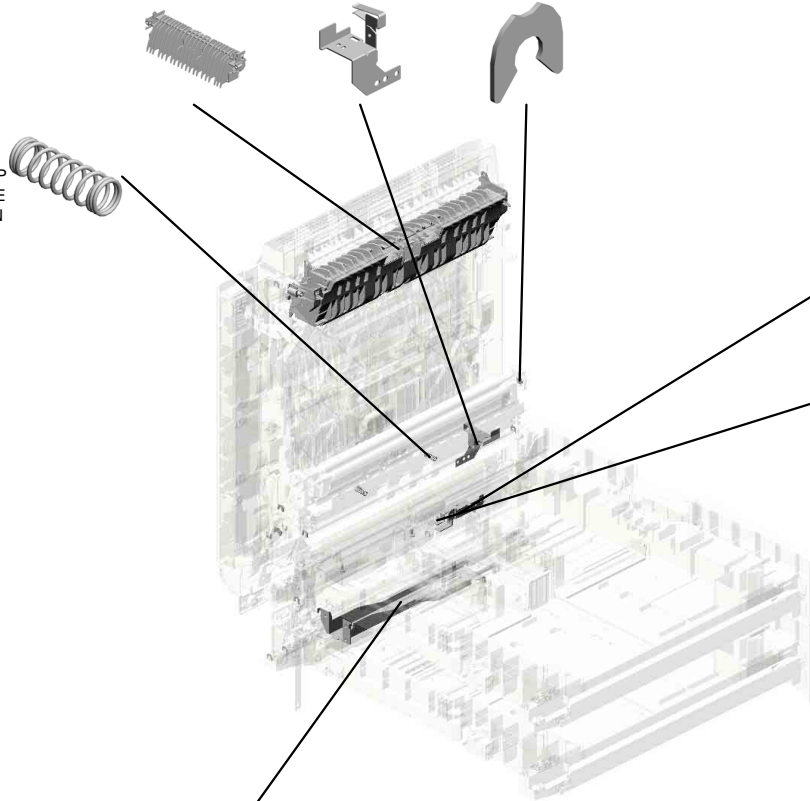
219.D0394985
GUIDE PLATE:EXIT
:DUPLEX:ADHESIO
N
201002

221.D0392712
BRACKET:HOME P
OSITION SENSOR:
PEEN

224.08050089
(x14)
RETAINING RING -
M4



218.D0394538
(x2)
COMPRESSION SP
RING:FLAT CONVE
YER BELT:DRIVEN
201002 X/O



217.D0392571
BRACKET:PAPER
END SENSOR:NO.
1





222.08025305
(x4)
TAPPING SCREW -
M3X6

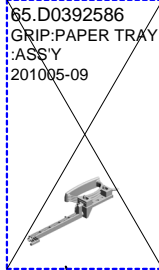


227.D0392572
BRACKET:PAPER
END SENSOR:NO.
2
201108-12



 AW020174 [D] PHOTOINTERRUPTOR:ACTUATOR 201108-02 O/O	 D0392997 [A] HOOK:STOPPER:DUPLEX UNIT:REAR 201108-20 X/O
 D0394588 [B] GATE PAWL:REVERSE ASS'Y 201108-10 O/O	 GW020020 [C] PHOTOINTERRUPTOR:LG248NL1 201108-03 O/O

U009_S001
PAPER TRAY:NO.1:EU:ASS'Y



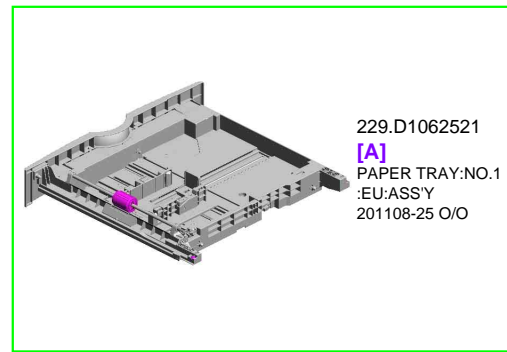
85.D0392586
GRIP:PAPER TRAY
:ASS'Y
201005-09

47.B2382526
DECAL - GRIP

27.AF031084
PAPER FEED ROLL
ER MM36

42.B1542726
SHAFT:PAPER FEE
D ROLLER:ASS'Y

119.D0392828
DECAL:PAPER SE
T DIRECTION



229.D1062521
[A]
PAPER TRAY:NO.1
:EU:ASS'Y
201108-25 O/O

12.52152621
SNAP RING - M6

37.B0392727
(x2)
BUSHING - 8X12X1
0

116.D0392815
SPRING:BASE

40.B0512725
SHEET - FURICTIO
N PAD

117.D0392825
SUPPORTING PLA
TE:PAPER TRAY

118.D0392826
GROUND PLATE:S
UPPORTING PLAT
E

44.B2232936
GEAR - 16Z

19.AA060866
LEVER SPRING

18.A2322987
(x4)
ROLLER - PAPER T
RAY

123.D0392834
SPRING:TRAY:REA
R

25.AF017025
END FENCE

20.AA063629
SPRING - 2.8N

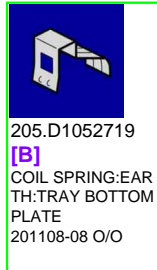
21.AA063630
SPRING

60.D0392552
JOINT:SHAFT:PAP
ER FEED ROLLER

225.08050092
RETAINING RING -
3M

61.D0392569
GROUND PLATE:F
EED

122.D0392833
SHAFT:COIL SPRI
NG

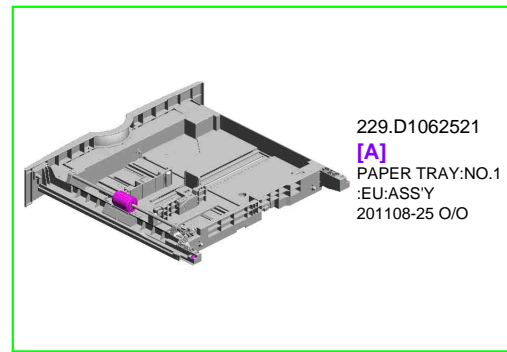


205.D1052719
[B]
COIL SPRING:EAR
TH:TRAY BOTTOM
PLATE
201108-08 O/O

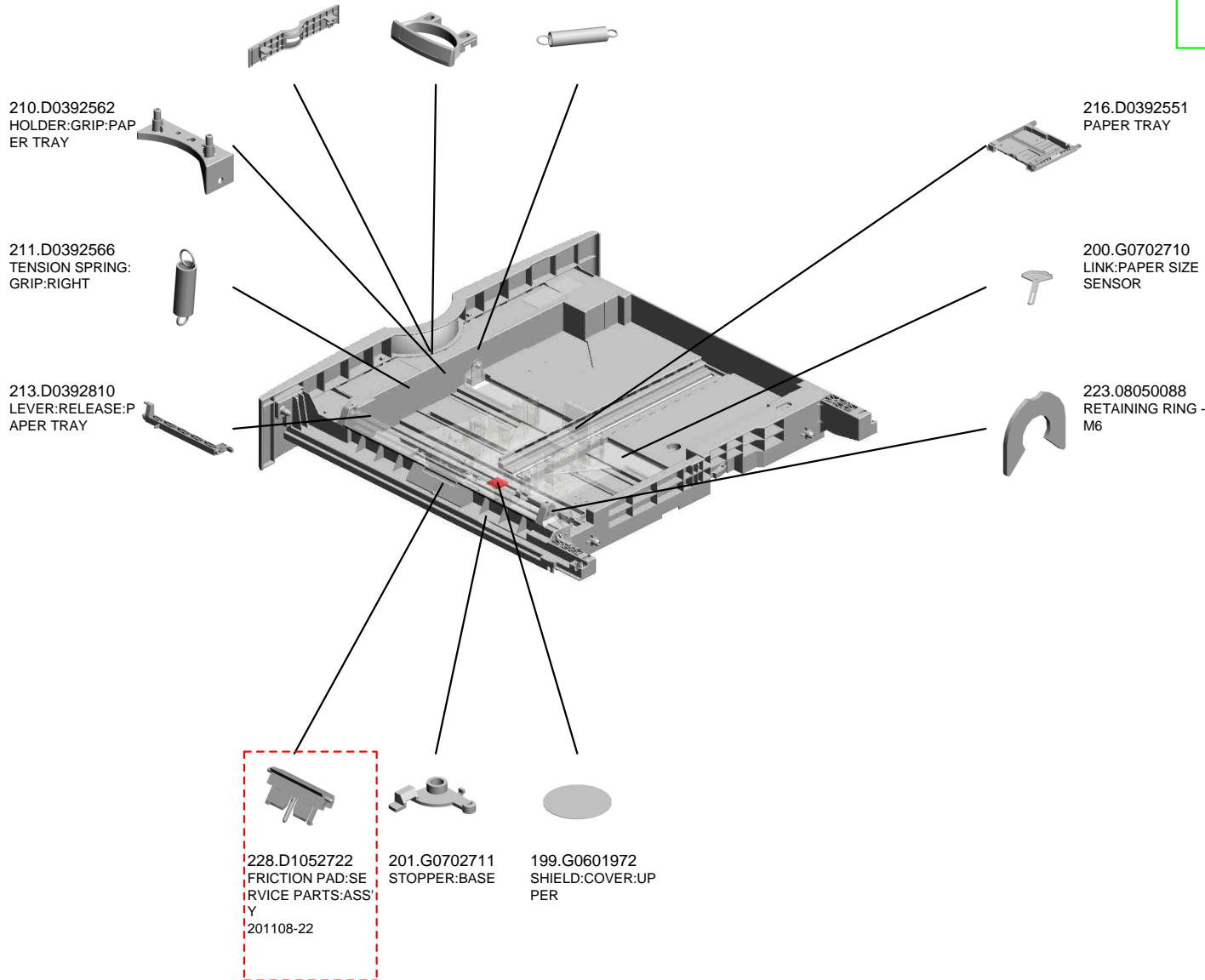
U001	U002	U003	U004	U005	U006	U007	U008	U009	U010	U011	U012	U013	U014	U015	U016
------	------	------	------	------	------	------	------	------	------	------	------	------	------	------	------

U009_S001
PAPER TRAY:NO.1:EU:ASS'Y

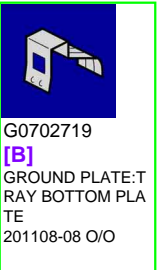
197.D0412557 COVER:PAPER TRAY:NO.1:EU
209.D0392561 GRIP:PAPER TRAY
212.D0392567 TENSION SPRING:GRIP:LEFT



229.D1062521
[A]
PAPER TRAY:NO.1:EU:ASS'Y
201108-25 O/O



D0412521
[A]
PAPER TRAY:NO.1:EU:ASS'Y
201108-25 O/O

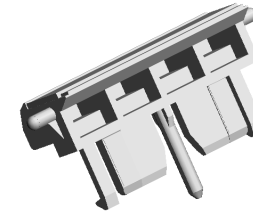


G0702719
[B]
GROUND PLATE:TRAY BOTTOM PLATE
201108-08 O/O

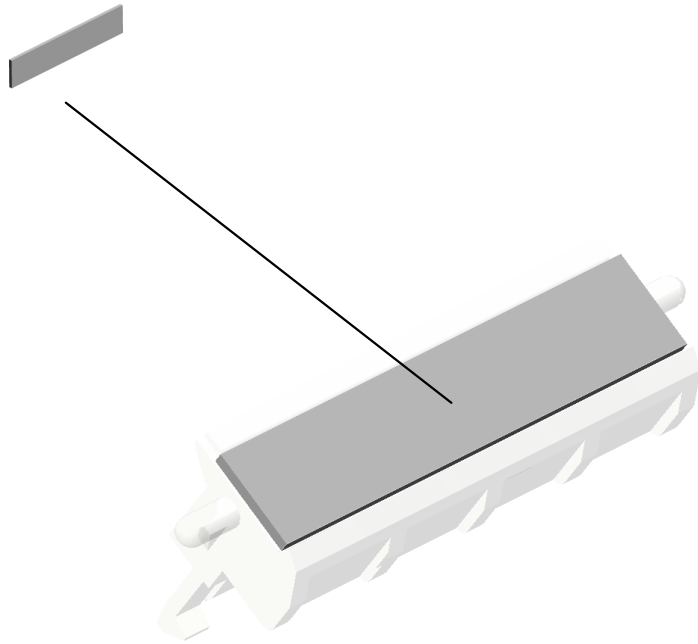
U001	U002	U003	U004	U005	U006	U007	U008	U009	U010	U011	U012	U013	U014	U015	U016
------	------	------	------	------	------	------	------	------	------	------	------	------	------	------	------

U009_S001_S001
FRICTION PAD:ASS'Y

28.AF033008
FRICTION PAD:10X
50



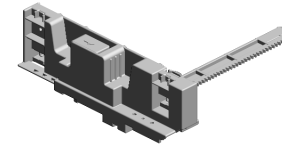
41.B1542722
FRICTION PAD:AS
S'Y



U001	U002	U003	U004	U005	U006	U007	U008	U009	U010	U011	U012	U013	U014	U015	U016
------	------	------	------	------	------	------	------	------	------	------	------	------	------	------	------

U009_S001_S002
SIDE FENCE:FRONT:ASS'Y

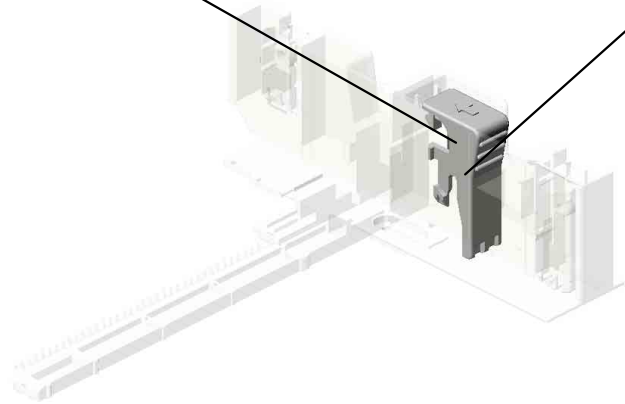
202.G0702713
SPRING PLATE:ST
OPPER



62.D0392583
SIDE FENCE:FRON
T:ASS'Y



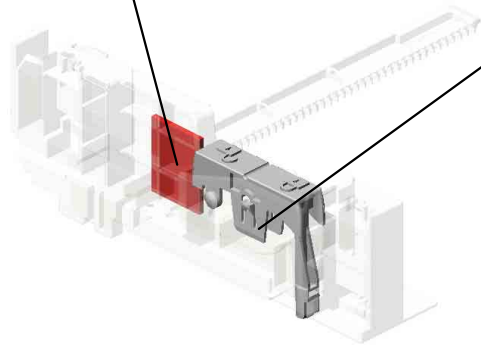
203.G0702714
LEVER:STOPPER:
FRONT



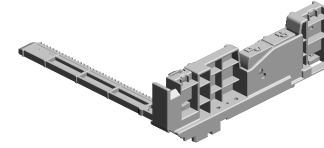
U001	U002	U003	U004	U005	U006	U007	U008	U009	U010	U011	U012	U013	U014	U015	U016
------	------	------	------	------	------	------	------	------	------	------	------	------	------	------	------

U009_S001_S003
SIDE FENCE:REAR:ASS'Y

43.B2232873
DECAL - SIDE FEN
CE REAR



204.G0702718
LEVER:STOPPER:
REAR

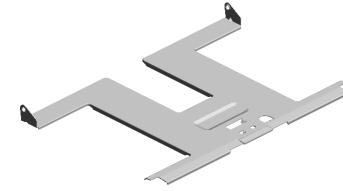


63.D0392584
SIDE FENCE:REAR
:ASS'Y

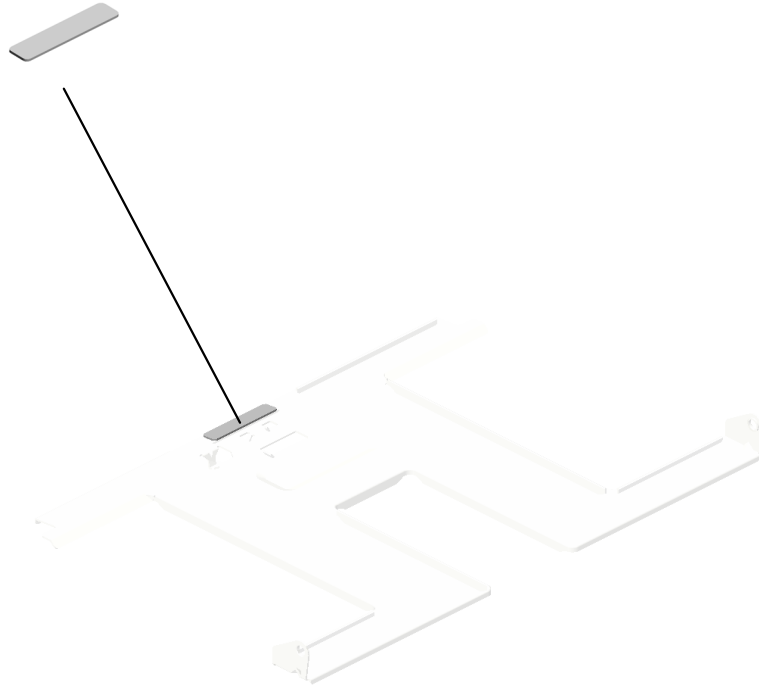
U001	U002	U003	U004	U005	U006	U007	U008	U009	U010	U011	U012	U013	U014	U015	U016
------	------	------	------	------	------	------	------	------	------	------	------	------	------	------	------

U009_S001_S004
TRAY BOTTOM PLATE:ASS'Y

13.52152713
BOTTOM PLATE P
AD

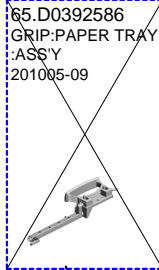


64.D0392585
TRAY BOTTOM PL
ATE:ASS'Y



U001	U002	U003	U004	U005	U006	U007	U008	U009	U010	U011	U012	U013	U014	U015	U016
------	------	------	------	------	------	------	------	------	------	------	------	------	------	------	------

U009_S002
 PAPER TRAY:NO.2:EU:ASS'Y



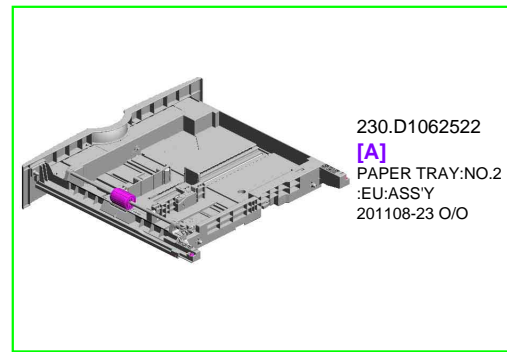
85.D0392586
 GRIP: PAPER TRAY
 ASS'Y
 201005-09

48.B2382527
 DECAL - GRIP

27.AF031084
 PAPER FEED ROLL
 ER MM36

42.B1542726
 SHAFT: PAPER FEE
 D ROLLER: ASS'Y

116.D0392815
 SPRING: BASE



230.D1062522
 [A]
 PAPER TRAY:NO.2
 :EU:ASS'Y
 201108-23 O/O

12.52152621
 SNAP RING - M6



37.B0392727
 (x2)
 BUSHING - 8X12X1
 0



20.AA063629
 SPRING - 2.8N



40.B0512725
 SHEET - FURICTIO
 N PAD



117.D0392825
 SUPPORTING PLA
 TE: PAPER TRAY



118.D0392826
 GROUND PLATE:S
 UPPORTING PLAT
 E



199.G0601972
 SHIELD: COVER:UP
 PER



19.AA060866
 LEVER SPRING



18.A2322987
 (x4)
 ROLLER - PAPER T
 RAY



122.D0392833
 SHAFT: COIL SPRI
 NG



25.AF017025
 END FENCE



21.AA063630
 SPRING



60.D0392552
 JOINT: SHAFT: PAP
 ER FEED ROLLER



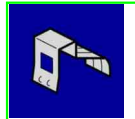
61.D0392569
 GROUND PLATE: F
 EED



123.D0392834
 SPRING: TRAY: REA
 R



119.D0392835
 DECAL: PAPER SE
 T DIRECTION
 201009-02 X/O

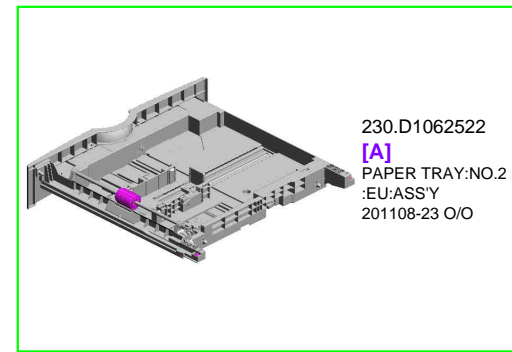


205.D1052719
 [B]
 COIL SPRING: EAR
 TH: TRAY BOTTOM
 PLATE
 201108-08 O/O

U001	U002	U003	U004	U005	U006	U007	U008	U009	U010	U011	U012	U013	U014	U015	U016
------	------	------	------	------	------	------	------	------	------	------	------	------	------	------	------

U009_S002
 PAPER TRAY:NO.2:EU:ASS'Y

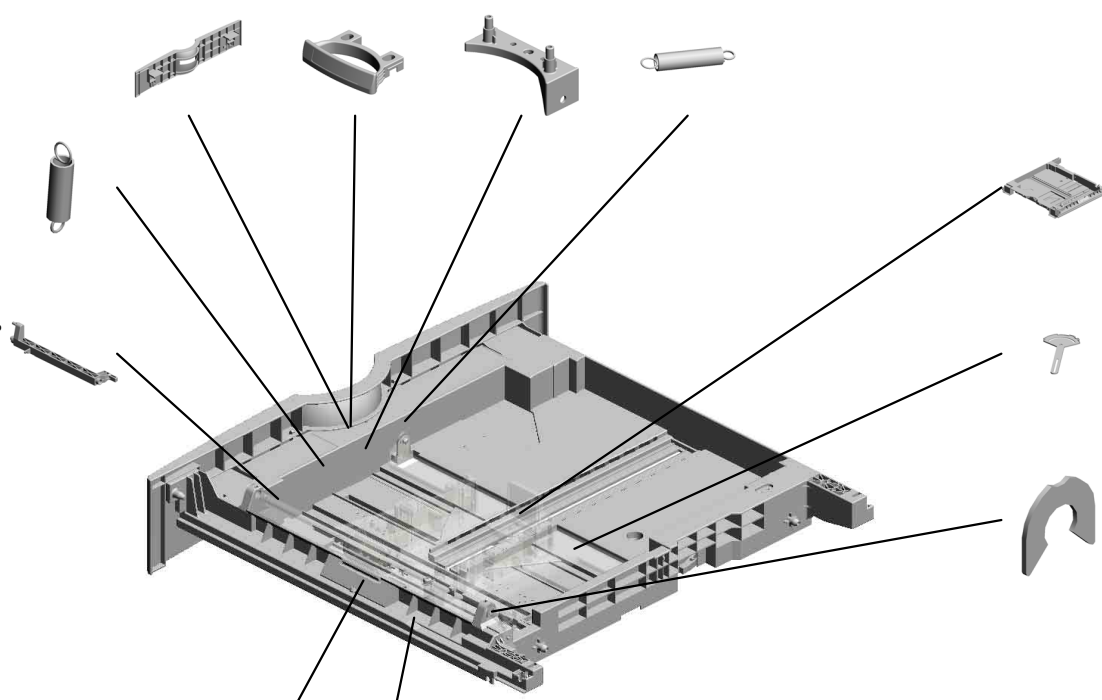
226.D0412558 COVER:PAPER TRAY:NO.2:EU
 209.D0392561 GRIP:PAPER TRAY
 210.D0392562 HOLDER:GRIP:PAPER TRAY
 212.D0392567 TENSION SPRING:GRIP:LEFT



230.D1062522
[A]
 PAPER TRAY:NO.2:EU:ASS'Y
 201108-23 O/O

211.D0392566 TENSION SPRING:GRIP:RIGHT

213.D0392810 LEVER:RELEASE:PAPER TRAY



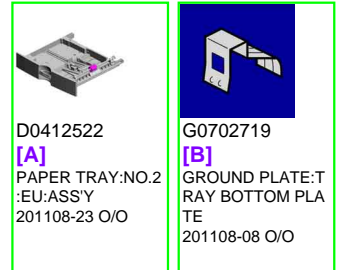
216.D0392551 PAPER TRAY

200.G0702710 LINK:PAPER SIZE SENSOR

223.08050088 RETAINING RING - M6

228.D1052722 FRICTION PAD:SERVICE PARTS:ASS'Y
 201108-22

201.G0702711 STOPPER:BASE



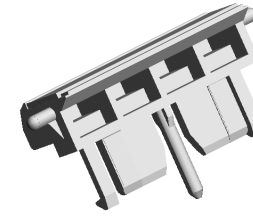
D0412522
[A]
 PAPER TRAY:NO.2:EU:ASS'Y
 201108-23 O/O

G0702719
[B]
 GROUND PLATE:TRAY BOTTOM PLATE
 201108-08 O/O

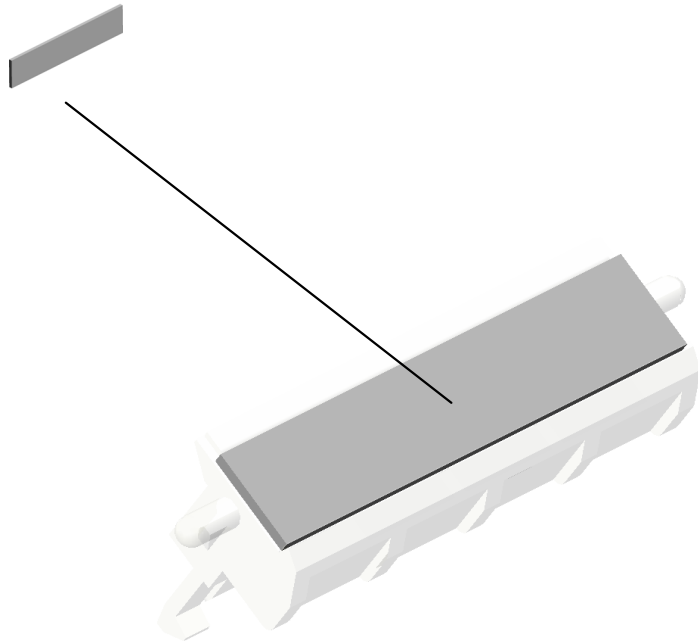
U001	U002	U003	U004	U005	U006	U007	U008	U009	U010	U011	U012	U013	U014	U015	U016
------	------	------	------	------	------	------	------	------	------	------	------	------	------	------	------

U009_S002_S001
FRICTION PAD:ASS'Y

28.AF033008
FRICTION PAD:10X
50



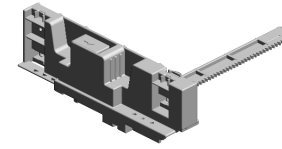
41.B1542722
FRICTION PAD:AS
S'Y



U001	U002	U003	U004	U005	U006	U007	U008	U009	U010	U011	U012	U013	U014	U015	U016
------	------	------	------	------	------	------	------	------	------	------	------	------	------	------	------

U009_S002_S002
SIDE FENCE:FRONT:ASS'Y

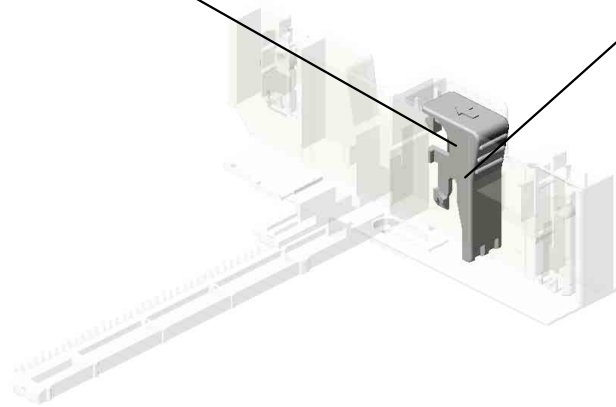
202.G0702713
SPRING PLATE:ST
OPPER



62.D0392583
SIDE FENCE:FRON
T:ASS'Y



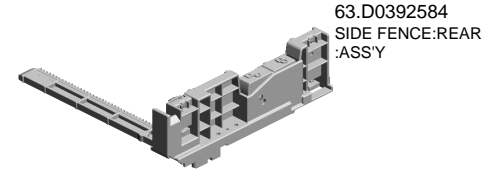
203.G0702714
LEVER:STOPPER:
FRONT



U001	U002	U003	U004	U005	U006	U007	U008	U009	U010	U011	U012	U013	U014	U015	U016
------	------	------	------	------	------	------	------	------	------	------	------	------	------	------	------

U009_S002_S003
SIDE FENCE:REAR:ASS'Y

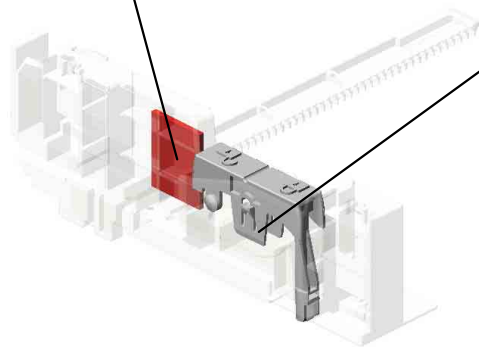
43.B2232873
DECAL - SIDE FEN
CE REAR



63.D0392584
SIDE FENCE:REAR
:ASS'Y



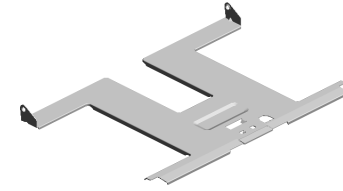
204.G0702718
LEVER:STOPPER:
REAR



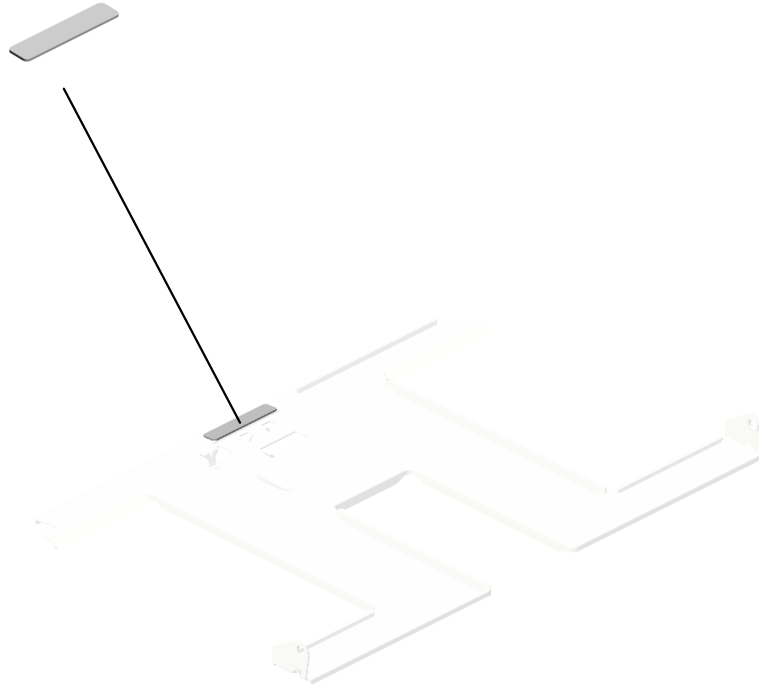
U001	U002	U003	U004	U005	U006	U007	U008	U009	U010	U011	U012	U013	U014	U015	U016
------	------	------	------	------	------	------	------	------	------	------	------	------	------	------	------

U009_S002_S004
TRAY BOTTOM PLATE:ASS'Y

13.52152713
BOTTOM PLATE P
AD



64.D0392585
TRAY BOTTOM PL
ATE:ASS'Y



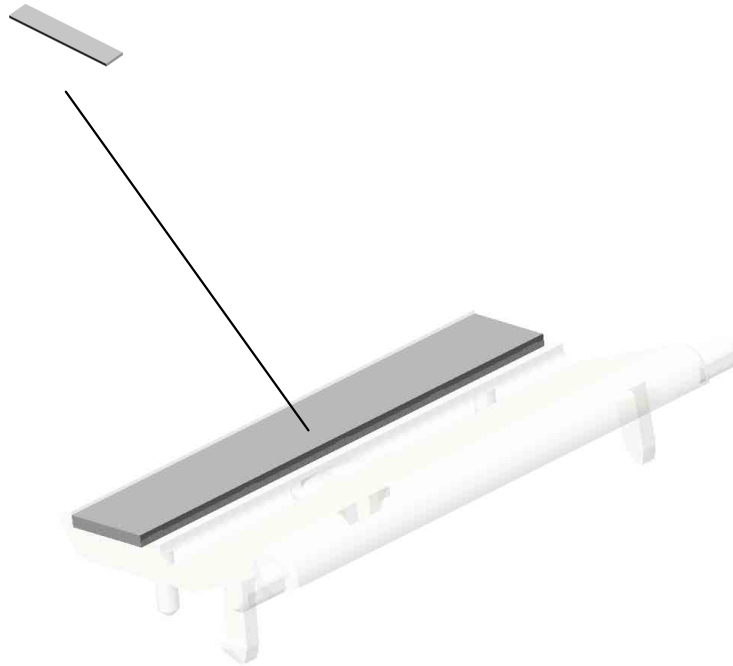
U001	U002	U003	U004	U005	U006	U007	U008	U009	U010	U011	U012	U013	U014	U015	U016
------	------	------	------	------	------	------	------	------	------	------	------	------	------	------	------

U009_S003
SEPARATION PAD

198.G0302670
FRICTION PAD:PU
R

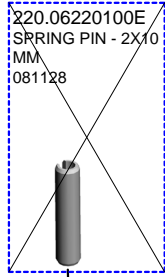


51.B2614650
SEPARATION PAD



U001	U002	U003	U004	U005	U006	U007	U008	U009	U010	U011	U012	U013	U014	U015	U016
------	------	------	------	------	------	------	------	------	------	------	------	------	------	------	------

U009_S004
SHAFT:CAM:ASS'Y



111.D0392796
SHAFT:CAM:ASS'Y

U001	U002	U003	U004	U005	U006	U007	U008	U009	U010	U011	U012	U013	U014	U015	U016
------	------	------	------	------	------	------	------	------	------	------	------	------	------	------	------

U010.TONER SUPPLY

U010_S006
D0393317
DRIVE UNIT:TONER SUPPLY
SUB-UNIT:ASS'Y

U010_S001
D8093045
TONER SUPPLY UNIT:BK

U010_S005
D0393317
DRIVE UNIT:TONER SUPPLY
SUB-UNIT:ASS'Y

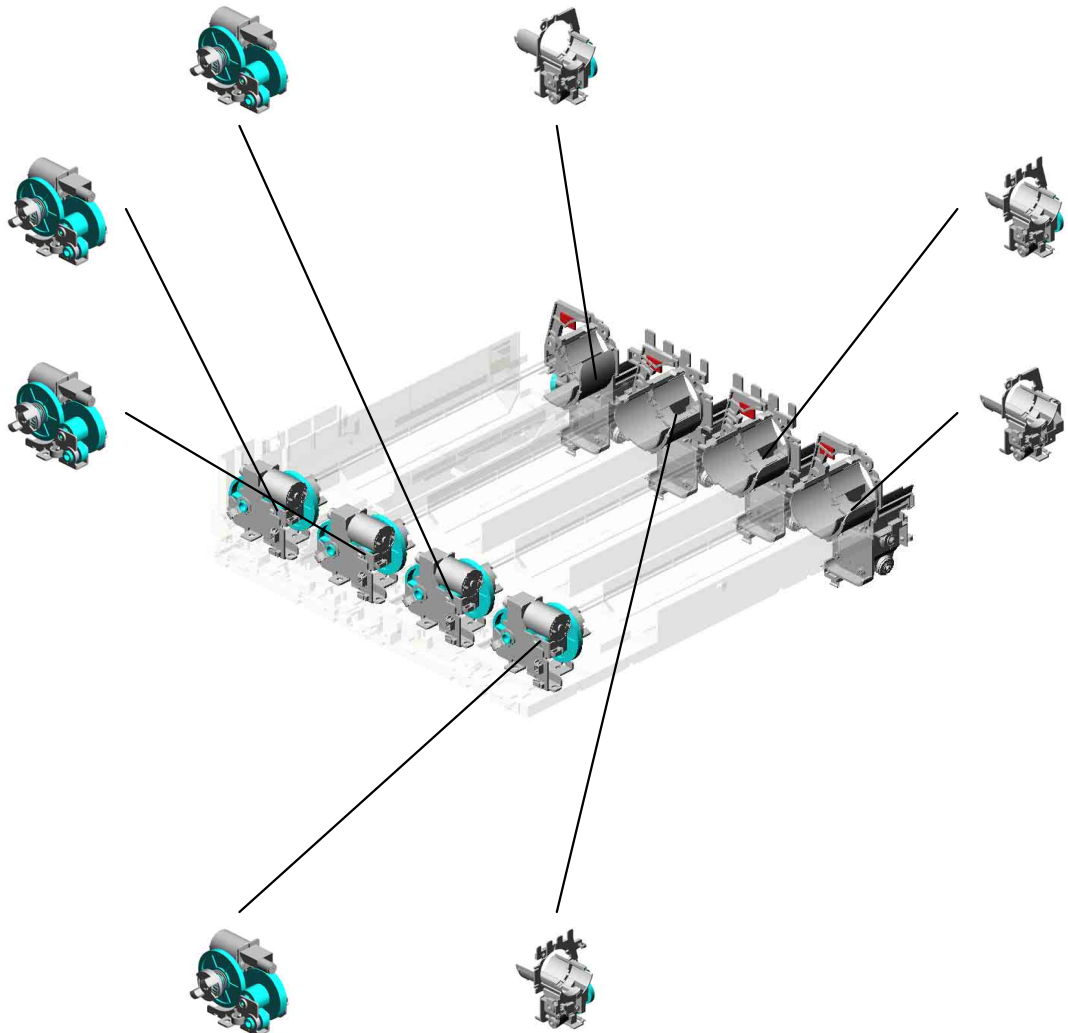
U010_S003
D8093047
TONER SUPPLY UNIT:M

U010_S007
D0393317
DRIVE UNIT:TONER SUPPLY
SUB-UNIT:ASS'Y

U010_S004
D8093048
TONER SUPPLY UNIT:Y

U010_S008
D0393317
DRIVE UNIT:TONER SUPPLY
SUB-UNIT:ASS'Y

U010_S002
D8093046
TONER SUPPLY UNIT:C



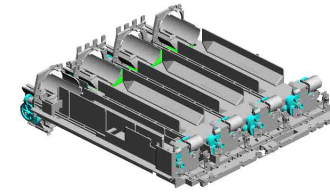
U001	U002	U003	U004	U005	U006	U007	U008	U009	U010	U011	U012	U013	U014	U015	U016
------	------	------	------	------	------	------	------	------	-------------	------	------	------	------	------	------

U010 TONER SUPPLY

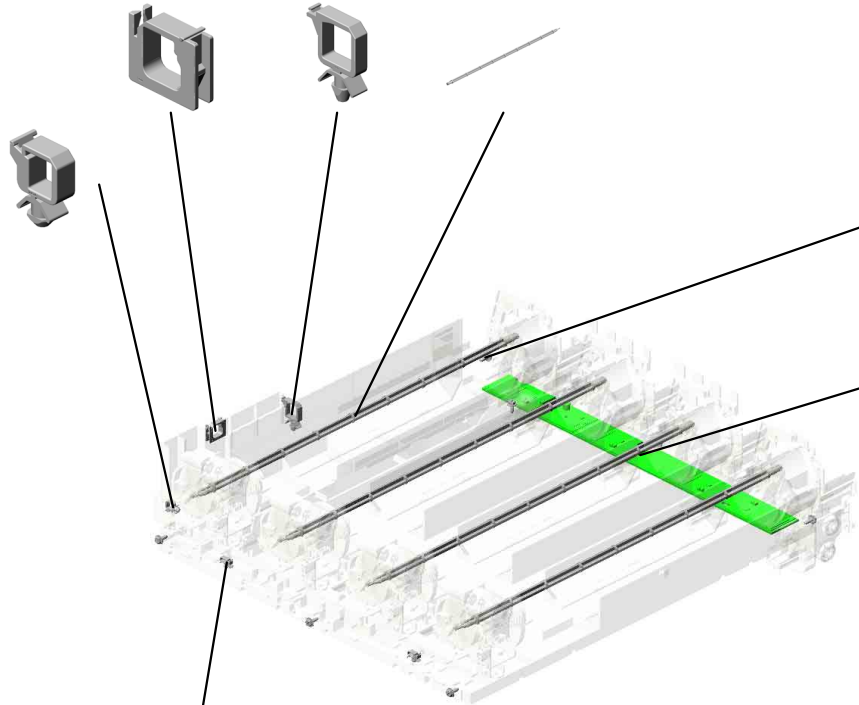
5.11050518
EDGE SADDLE - L
ES-1010

3.11050488
HARNESS CLAMP

8.AA141018
(x4)
SHAFT:DRIVE:TON
ER SUPPLY



6.11050534
CLAMP



1.04563008N
(x7)
TAPPING SCREW -
M3X8

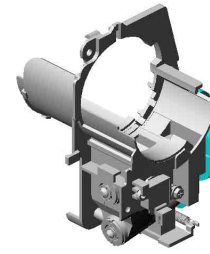
14.D0395178
PCB:RFID-RW

4.11050511
(x2)
HARNESS CLAMP -
LWS-0306ZC

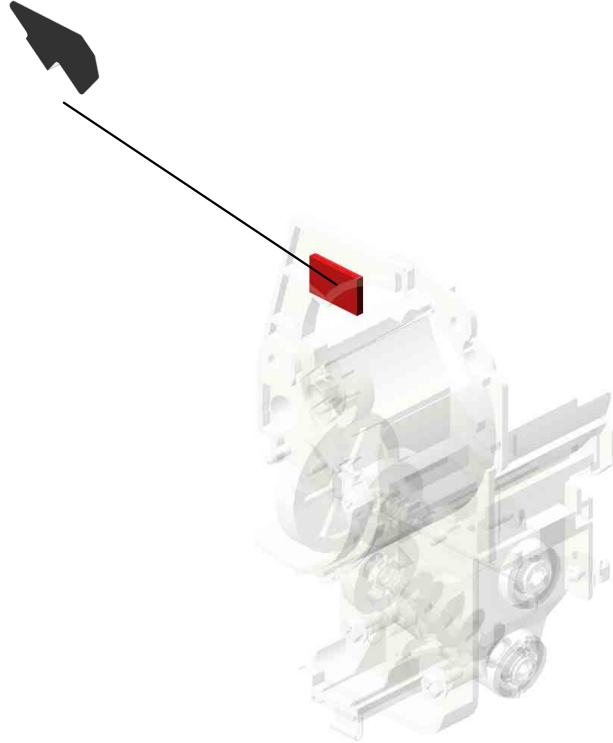
U001	U002	U003	U004	U005	U006	U007	U008	U009	U010	U011	U012	U013	U014	U015	U016
------	------	------	------	------	------	------	------	------	------	------	------	------	------	------	------

U010_S001
TONER SUPPLY UNIT: BK

11.D0393350
GUIDE: TONER BO
TTLE: 9MM
090131



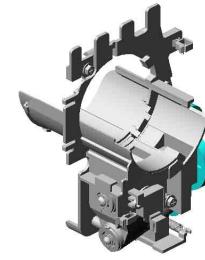
15.D8093045
TONER SUPPLY U
NIT: BK



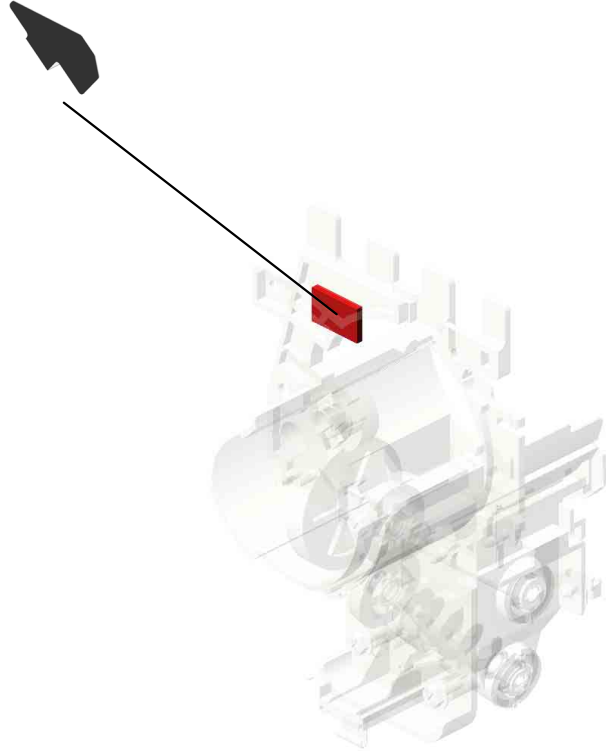
U001	U002	U003	U004	U005	U006	U007	U008	U009	U010	U011	U012	U013	U014	U015	U016
------	------	------	------	------	------	------	------	------	------	------	------	------	------	------	------

U010_S002
TONER SUPPLY UNIT:C

11.D0393350
GUIDE:TONER BO
TTLE:9MM
090131



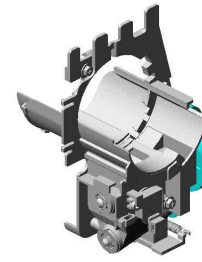
16.D8093046
TONER SUPPLY U
NIT:C



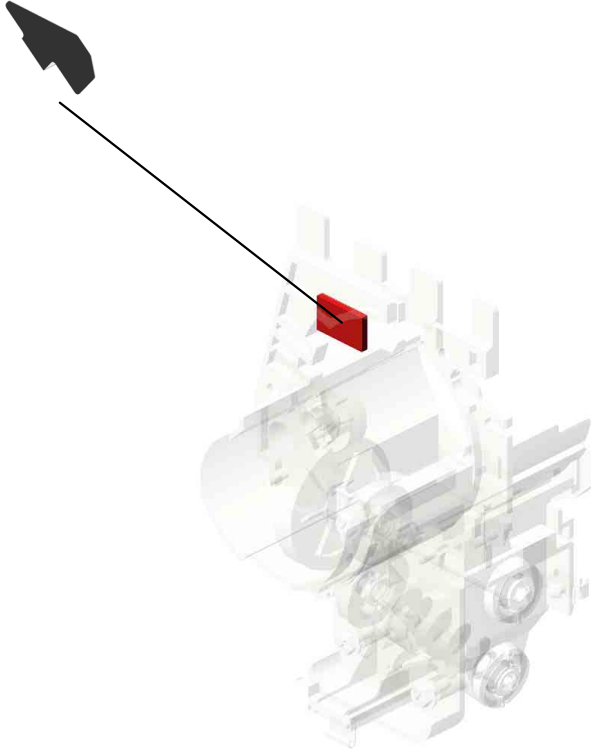
U001	U002	U003	U004	U005	U006	U007	U008	U009	U010	U011	U012	U013	U014	U015	U016
------	------	------	------	------	------	------	------	------	------	------	------	------	------	------	------

U010_S003
TONER SUPPLY UNIT:M

11.D0393350
GUIDE:TONER BO
TTLE:9MM
090131



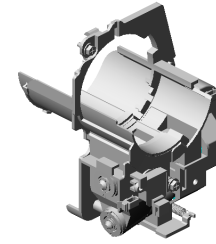
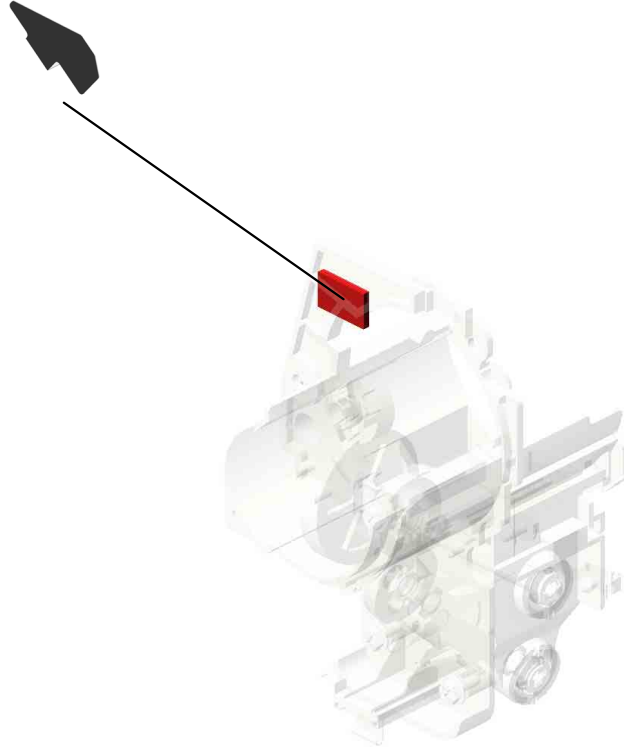
17.D8093047
TONER SUPPLY U
NIT:M



U001	U002	U003	U004	U005	U006	U007	U008	U009	U010	U011	U012	U013	U014	U015	U016
------	------	------	------	------	------	------	------	------	------	------	------	------	------	------	------

U010_S004
TONER SUPPLY UNIT:Y

11.D0393350
GUIDE:TONER BO
TTLE:9MM
090131



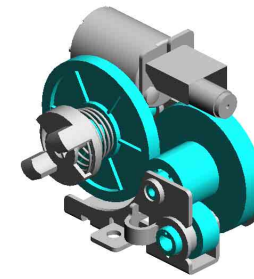
18.D8093048
TONER SUPPLY U
NIT:Y

U001	U002	U003	U004	U005	U006	U007	U008	U009	U010	U011	U012	U013	U014	U015	U016
------	------	------	------	------	------	------	------	------	------	------	------	------	------	------	------

U010_S005
 DRIVE UNIT:TONER SUPPLY SUB-UNIT:ASS'Y

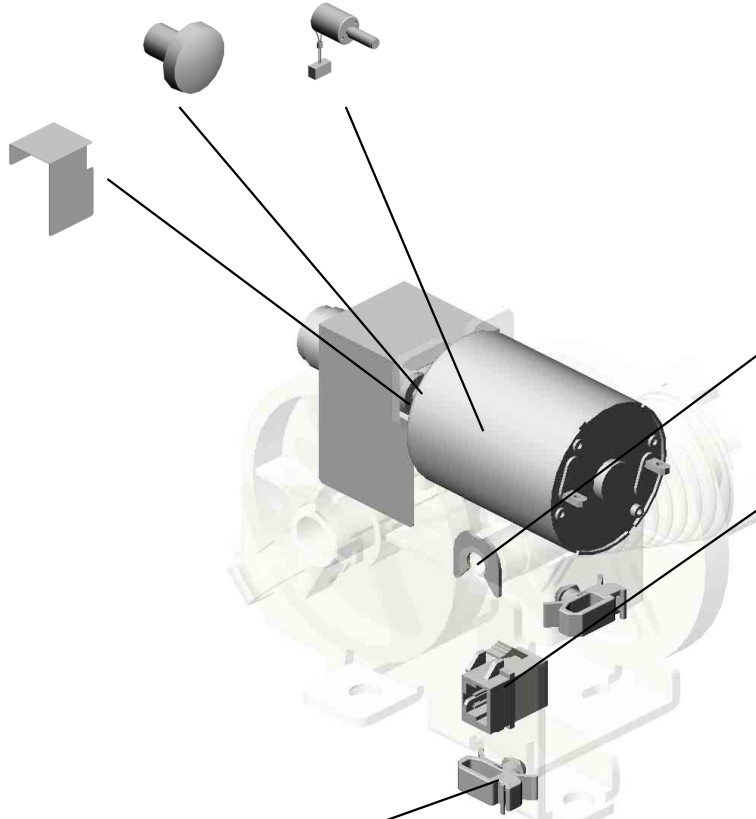
13.D0393368
 (x2)
 SCREW:M3X3.5
 090309 X/O

10.D0393318
 DC MOTOR:TONE
 R SUPPLY SUB-UN
 IT:ASS'Y



9.D0393317
 DRIVE UNIT:TONE
 R SUPPLY SUB-UN
 IT:ASS'Y

12.D0393367
 SHEET:BRACKET:
 TONER SUPPLY



21.08050089
 RETAINING RING -
 M4

2.11024473
 CT CONNECTOR -
 2P

4.11050511
 (x2)
 HARNESS CLAMP -
 LWS-0306ZC

U001	U002	U003	U004	U005	U006	U007	U008	U009	U010	U011	U012	U013	U014	U015	U016
------	------	------	------	------	------	------	------	------	------	------	------	------	------	------	------

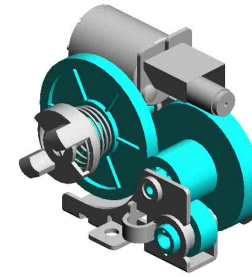
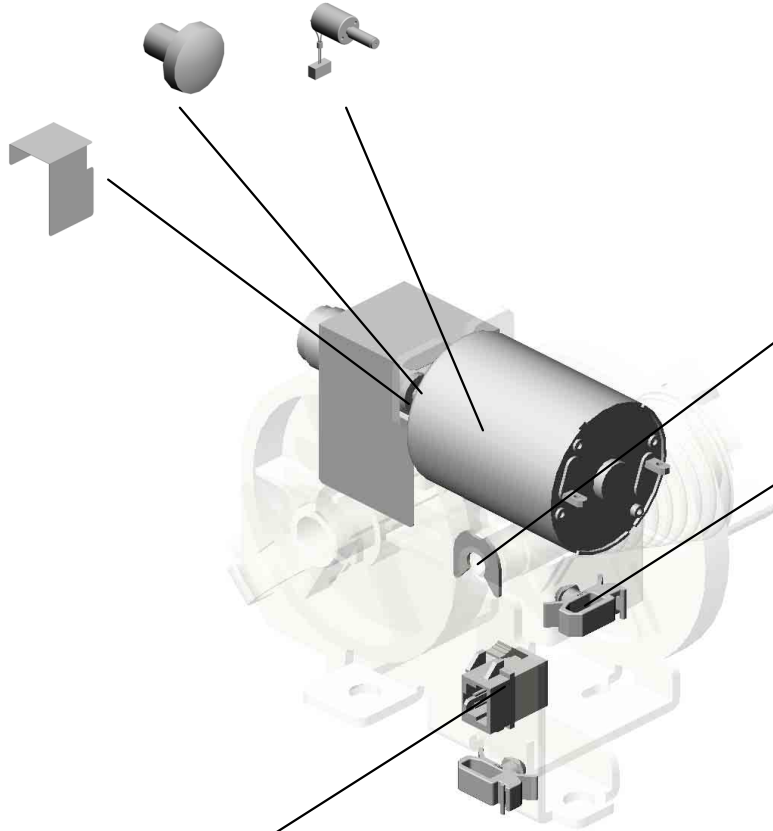
U010_S006

DRIVE UNIT:TONER SUPPLY SUB-UNIT:ASS'Y

13.D0393368
(x2)
SCREW:M3X3.5
090309 X/O

10.D0393318
DC MOTOR:TONE
R SUPPLY SUB-UN
IT:ASS'Y

12.D0393367
SHEET:BRACKET:
TONER SUPPLY



9.D0393317
DRIVE UNIT:TONE
R SUPPLY SUB-UN
IT:ASS'Y

21.08050089
RETAINING RING -
M4

4.11050511
(x2)
HARNESS CLAMP -
LWS-0306ZC



2.11024473
CT CONNECTOR -
2P

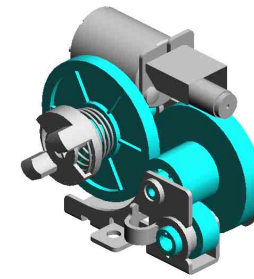
U001	U002	U003	U004	U005	U006	U007	U008	U009	U010	U011	U012	U013	U014	U015	U016
------	------	------	------	------	------	------	------	------	------	------	------	------	------	------	------

U010_S007

DRIVE UNIT:TONER SUPPLY SUB-UNIT:ASS'Y

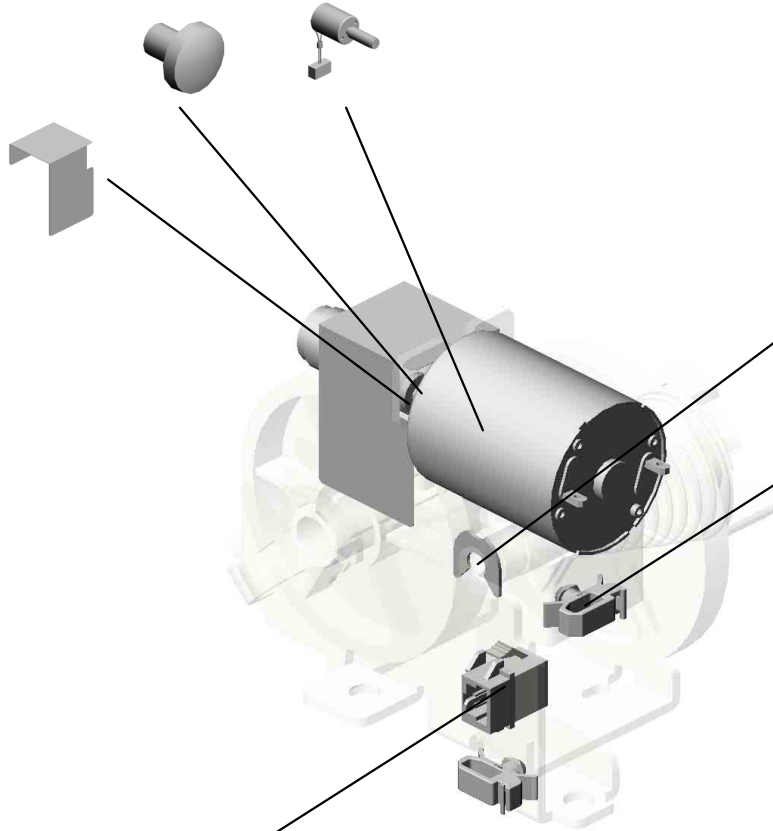
13.D0393368
(x2)
SCREW:M3X3.5
090309 X/O

10.D0393318
DC MOTOR:TONE
R SUPPLY SUB-UN
IT:ASS'Y



9.D0393317
DRIVE UNIT:TONE
R SUPPLY SUB-UN
IT:ASS'Y

12.D0393367
SHEET:BRACKET:
TONER SUPPLY



21.08050089
RETAINING RING -
M4

4.11050511
(x2)
HARNESS CLAMP -
LWS-0306ZC



2.11024473
CT CONNECTOR -
2P

U001	U002	U003	U004	U005	U006	U007	U008	U009	U010	U011	U012	U013	U014	U015	U016
------	------	------	------	------	------	------	------	------	------	------	------	------	------	------	------

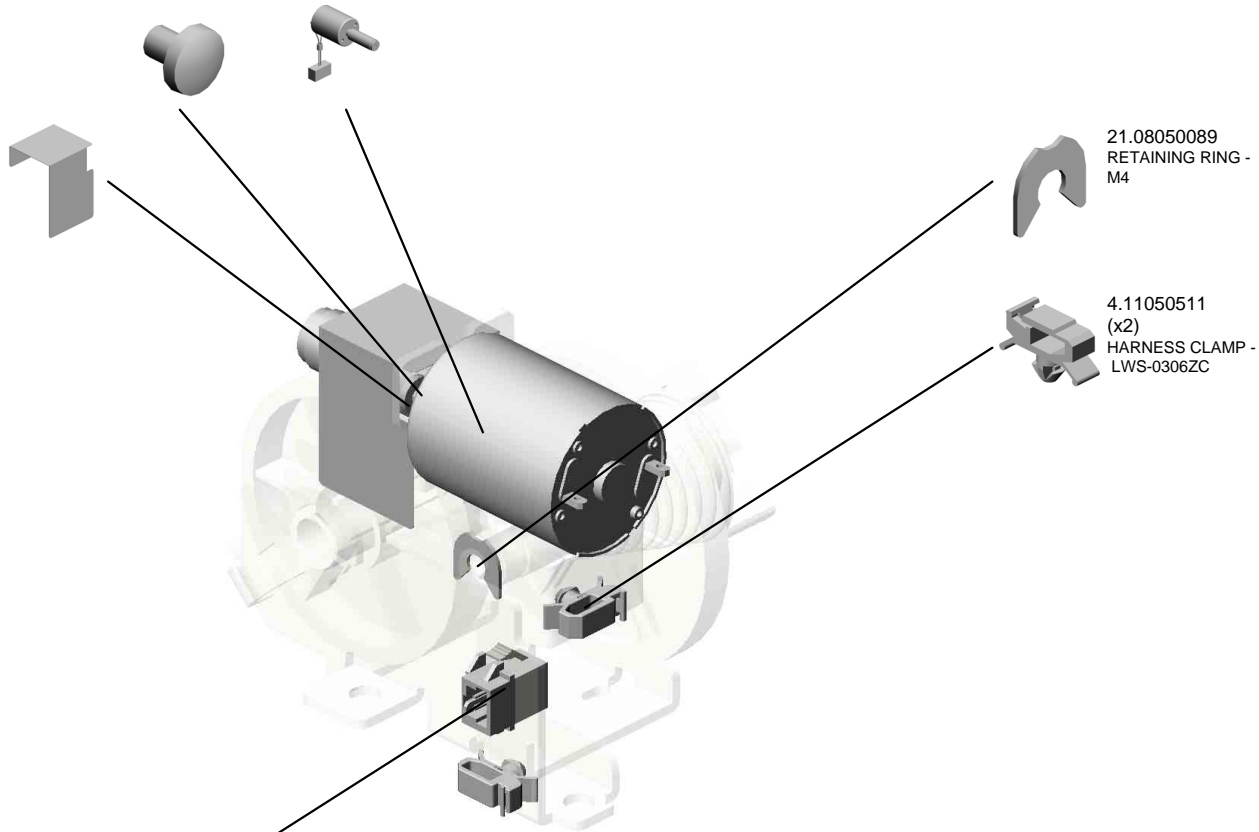
U010_S008

DRIVE UNIT:TONER SUPPLY SUB-UNIT:ASS'Y

13.D0393368
(x2)
SCREW:M3X3.5
090309 X/O

10.D0393318
DC MOTOR:TONE
R SUPPLY SUB-UN
IT:ASS'Y

12.D0393367
SHEET:BRACKET:
TONER SUPPLY



21.08050089
RETAINING RING -
M4

4.11050511
(x2)
HARNESS CLAMP -
LWS-0306ZC



2.11024473
CT CONNECTOR -
2P

9.D0393317
DRIVE UNIT:TONE
R SUPPLY SUB-UN
IT:ASS'Y

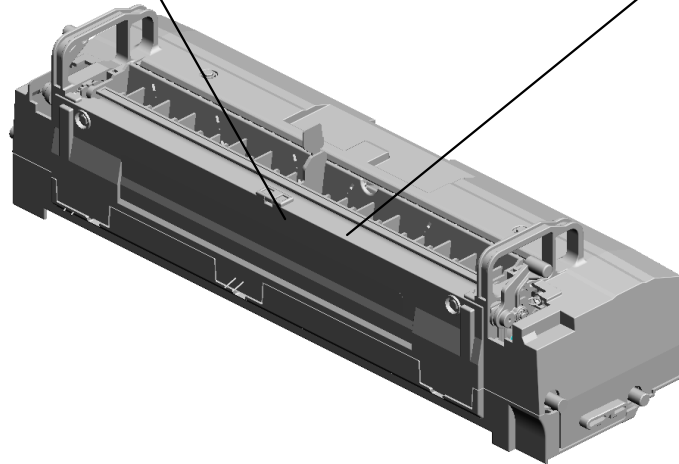
U001 U002 U003 U004 U005 U006 U007 U008 U009 U010 U011 U012 U013 U014 U015 U016

U011.FUSING

U011_S002
D0394380
STAY:PRESSURE:OIL SUPPL
Y ROLLER:ASS'Y(Optional)



U011_S001
D0394017
FUSING UNIT:EU:SUB-ASS'Y



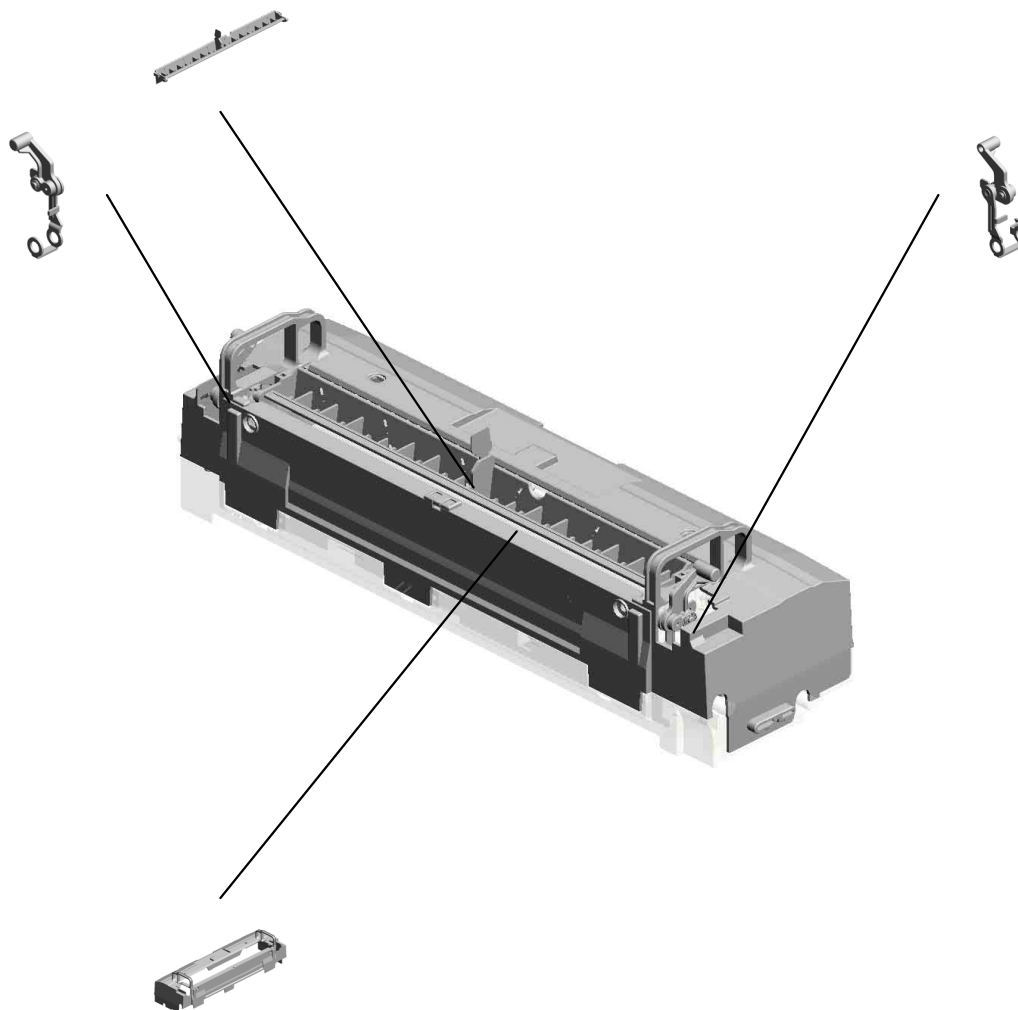
U001	U002	U003	U004	U005	U006	U007	U008	U009	U010	U011	U012	U013	U014	U015	U016
------	------	------	------	------	------	------	------	------	------	------	------	------	------	------	------

U011_S001.FUSING UNIT:EU:SUB-ASS'Y

U011_S001_S003
D0394234
GUIDE PLATE:FUSING EXIT:
ASS'Y

U011_S001_S001
D0394177
LEVER:PRESSURE:FRONT:S
UB-ASS'Y

U011_S001_S002
D0394188
LEVER:PRESSURE:REAR:SU
B-ASS'Y

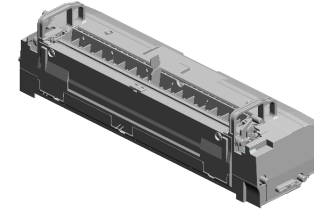


U011_S001_S004
D0394262
FUSING COVER:UPPER:ASS'
Y

U001	U002	U003	U004	U005	U006	U007	U008	U009	U010	U011	U012	U013	U014	U015	U016
------	------	------	------	------	------	------	------	------	------	------	------	------	------	------	------

U011 FUSING

67.08046123 53.D0394361
HEXAGONAL BOLT HOLDER:THERMO
:W/WASHER:M3X8 PILE



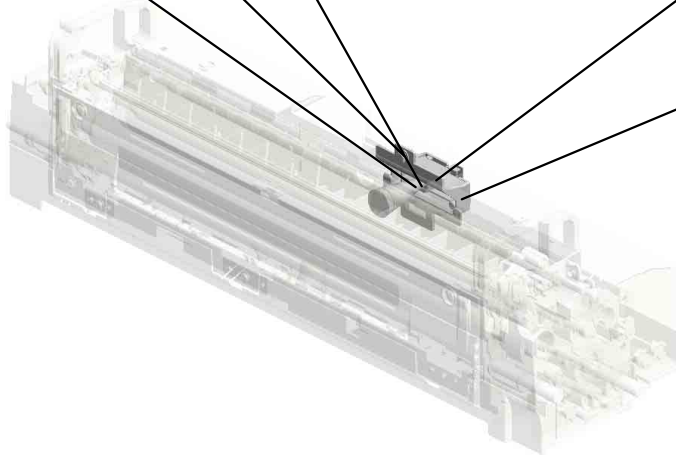
30.AW100124
THERMOPILE



54.D0394362
COVER:THERMOPI
LE

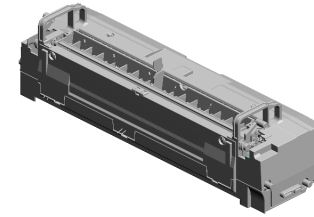


2.04563008N
(x2)
TAPPING SCREW -
M3X8



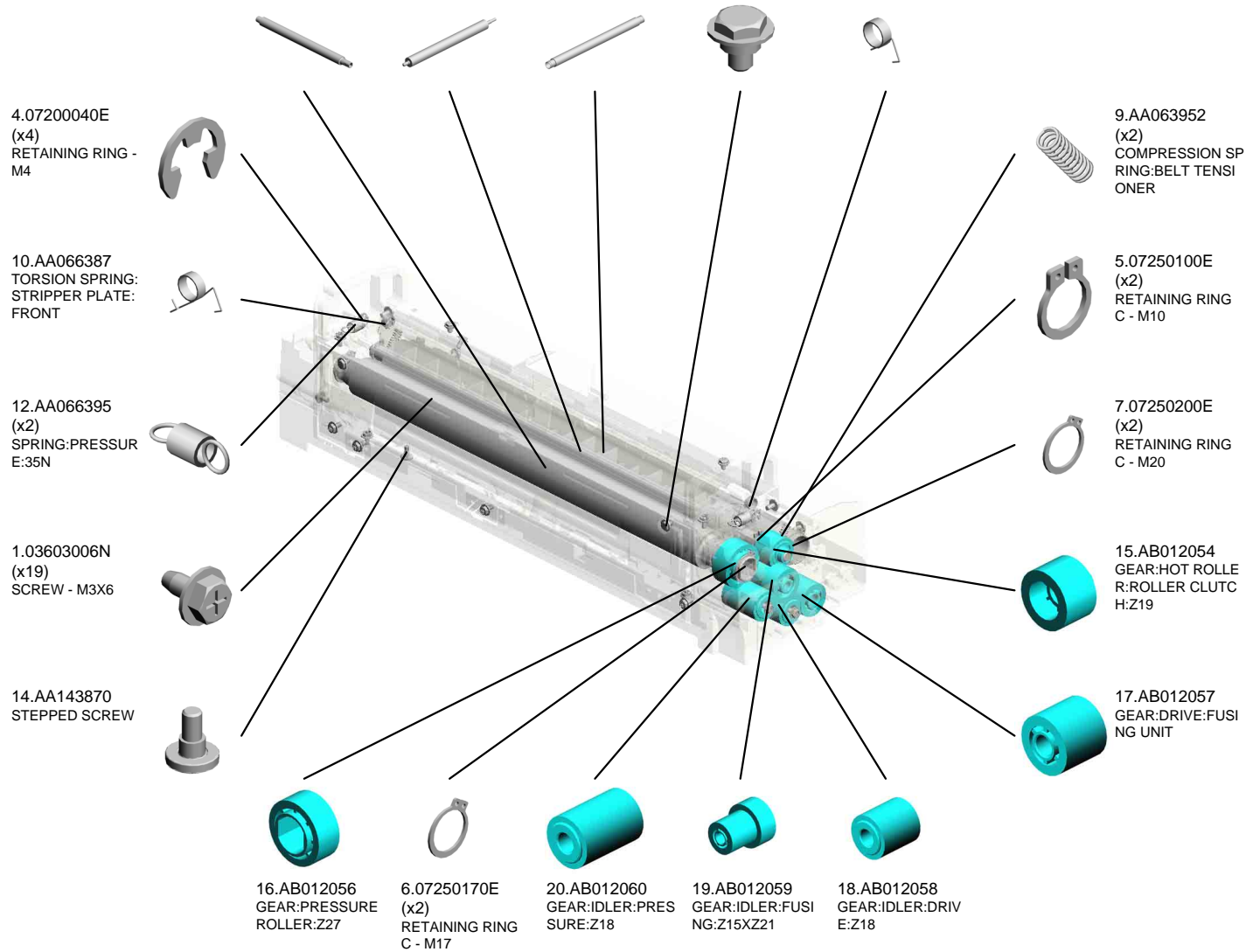
U001	U002	U003	U004	U005	U006	U007	U008	U009	U010	U011	U012	U013	U014	U015	U016
------	------	------	------	------	------	------	------	------	------	------	------	------	------	------	------

U011_S001
FUSING UNIT:EU:SUB-ASS'Y



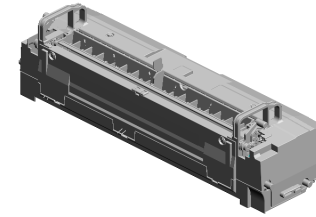
64.D0394017
[A]
FUSING UNIT:EU:S
UB-ASS'Y
201010-02 O/O

23.AE020175 PRESSURE ROLLER: DIA30
21.AE010074 HOT ROLLER: DIA29
22.AE012034 HEAT ROLLER: DIA24: COAT
13.AA143520 (x4) SHOULDER SCREW - M3
11.AA066388 TORSION SPRING: STRIPPER PLATE: REAR



U001 U002 U003 U004 U005 U006 U007 U008 U009 U010 U011 U012 U013 U014 U015 U016

U011_S001
FUSING UNIT:EU:SUB-ASS'Y



64.D0394017
[A]
FUSING UNIT:EU:S
UB-ASS'Y
201010-02 O/O

26.AE030078 (x2) BALL BEARING:DIA 10XDIA19X5
29.AW100123 THERMISTOR:FUSI NG:FRONT
43.D0394183 STAY:PRESSURE: ASS'Y
35.AX430172 HEATER:230V:420 W
48.D0394232 STRIPPER PLATE: COAT

46.D0394221 BRACKET:HEATER :PRESSURE:FRON T

25.AE030074 (x2) BALL BEARING:DIA 17XDIA26X5

44.D0394211 BRACKET:HEATER :FUSING:FRONT

32.AW100128 THERMISTOR:PRE SSURE:FRONT

31.AW100127 THERMISTOR:PRE SSURE:MIDDLE

34.AW110078 THERMOSTAT:146 C

39.D0394056 FUSING BELT:DIA5 0:ASS'Y

28.AE040070 ROLLER:BELT TEN SIONER:DIA11

47.D0394222 BRACKET:HEATER :PRESSURE:REAR

45.D0394212 BRACKET:HEATER :FUSING:REAR

33.AW110075 THERMOSTAT:HE AT ROLLER:ASS'Y

40.D0394121 HOUSING:THERM OSTAT:HEAT ROLL ER

27.AE031072 (x2) BUSHING:FUSING SUB-UNIT

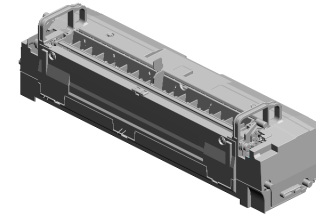
24.AE030059 (x2) BALL BEARING:MM 20XMM32X7

37.C2442601 (x5) FRONT STEPPED SCREW

U001	U002	U003	U004	U005	U006	U007	U008	U009	U010	U011	U012	U013	U014	U015	U016
------	------	------	------	------	------	------	------	------	------	------	------	------	------	------	------

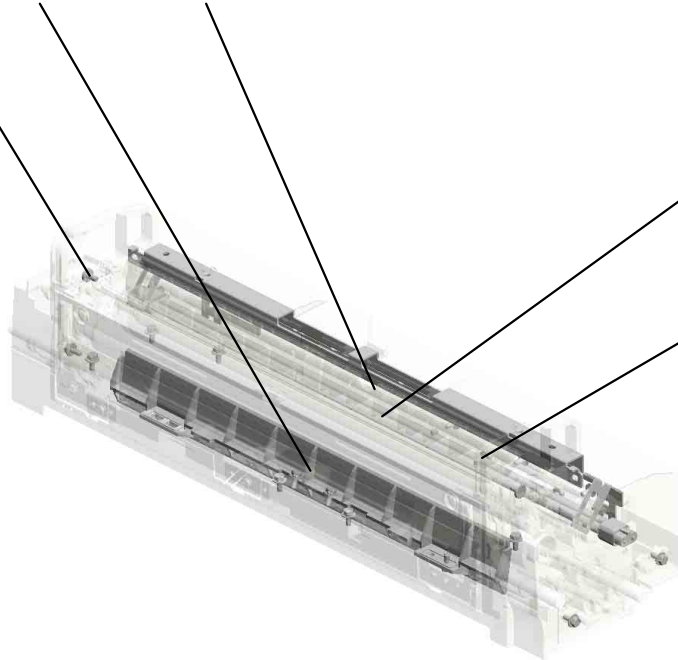
U011_S001
FUSING UNIT:EU:SUB-ASS'Y

51.D0394241 57.D0394171
FUSING ENTRANC STAY:UPPER
E GUIDE PLATE



64.D0394017
[A]
FUSING UNIT:EU:S
UB-ASS'Y
201010-02 O/O

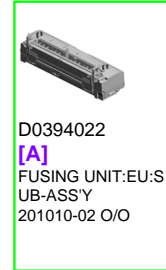
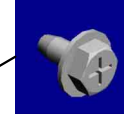
56.G0043519
(x2)
SCREW:SLIDER:S
EPARATION



60.AX440300
HEATER:230V:660
W/470W
200908 X/O



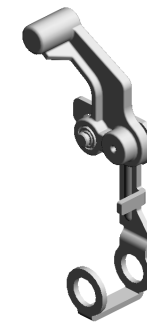
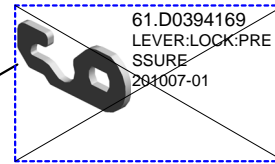
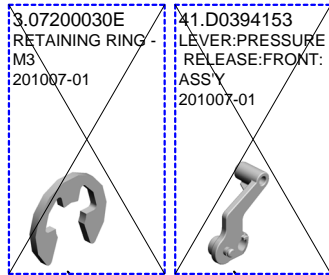
67.08046123
(x18)
HEXAGONAL BOLT
:W/WASHER:M3X8



D0394022
[A]
FUSING UNIT:EU:S
UB-ASS'Y
201010-02 O/O

U001	U002	U003	U004	U005	U006	U007	U008	U009	U010	U011	U012	U013	U014	U015	U016
------	------	------	------	------	------	------	------	------	------	------	------	------	------	------	------

U011_S001_S001
LEVER:PRESSURE:FRONT:SUB-ASS'Y

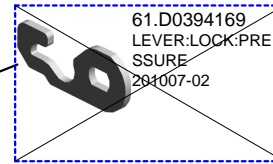
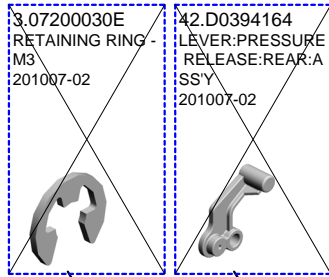


65.D0394177
LEVER:PRESSURE
:FRONT:SUB-ASS'
Y
201007-01 X/O

U001	U002	U003	U004	U005	U006	U007	U008	U009	U010	U011	U012	U013	U014	U015	U016
------	------	------	------	------	------	------	------	------	------	------	------	------	------	------	------

U011_S001_S002

LEVER:PRESSURE:REAR:SUB-ASS'Y

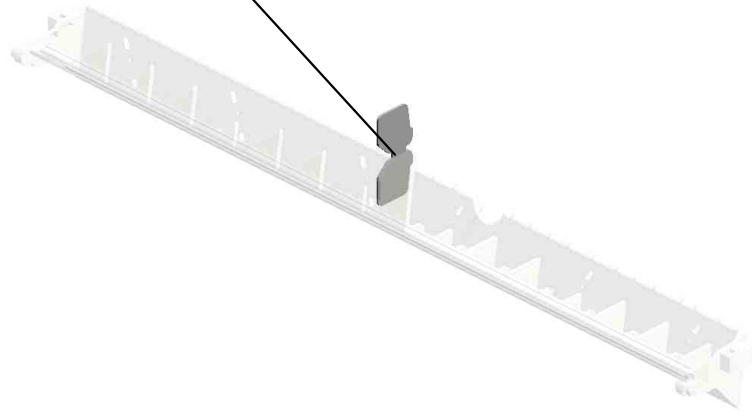
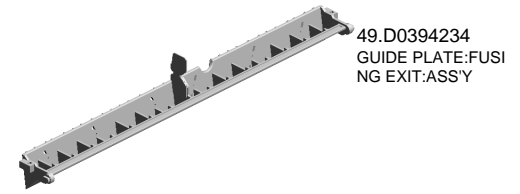


66.D0394188
LEVER:PRESSURE
:REAR:SUB-ASS'Y
201007-02 X/O

U001	U002	U003	U004	U005	U006	U007	U008	U009	U010	U011	U012	U013	U014	U015	U016
------	------	------	------	------	------	------	------	------	------	------	------	------	------	------	------

U011_S001_S003
GUIDE PLATE:FUSING EXIT:ASS'Y

50.D0394238
DECAL:FUSING:LE
VER:C

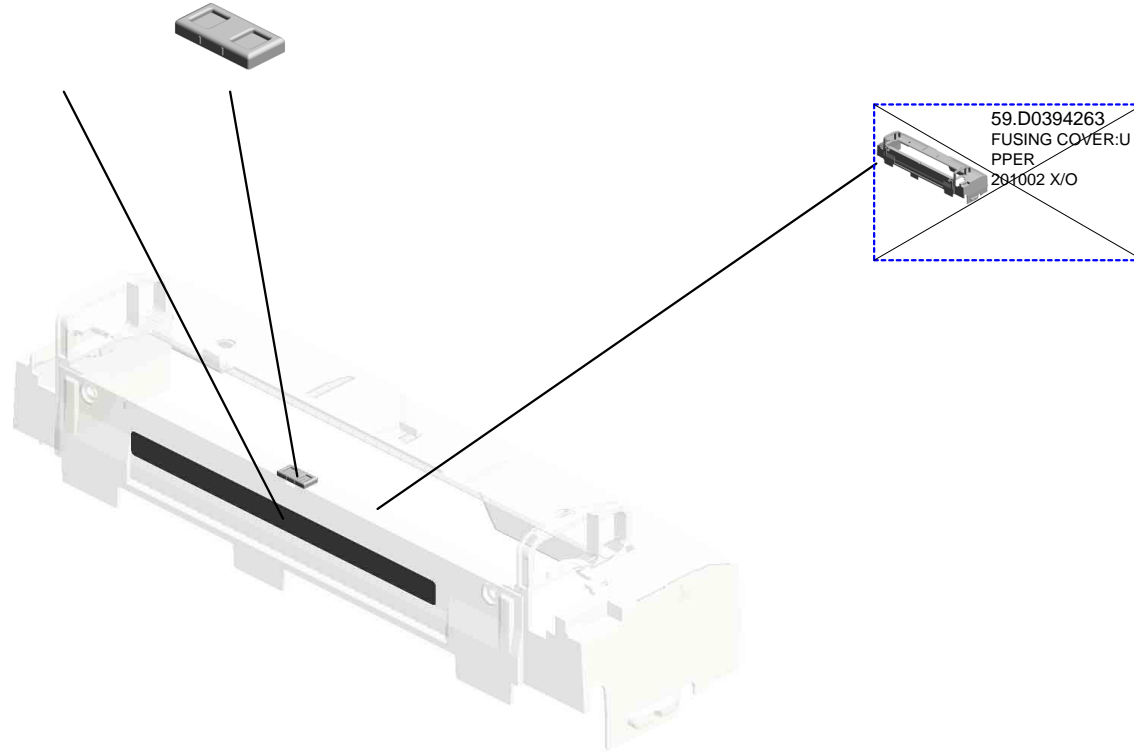
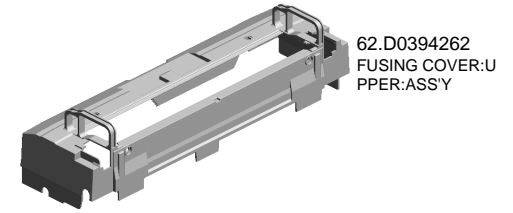


U001	U002	U003	U004	U005	U006	U007	U008	U009	U010	U011	U012	U013	U014	U015	U016
------	------	------	------	------	------	------	------	------	------	------	------	------	------	------	------

U011_S001_S004
FUSING COVER:UPPER:ASS'Y

52.D1124264
DECAL:WARNING (HIGH TEMPERATU RE):FUSING 201010-06 X/O

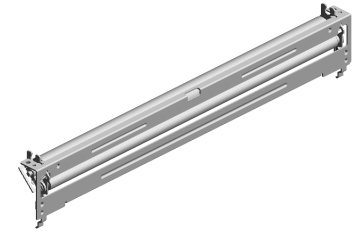
58.D0394268
SPACER:GUIDE PLATE:FUSING EXIT: ASS'Y 200906



U001	U002	U003	U004	U005	U006	U007	U008	U009	U010	U011	U012	U013	U014	U015	U016
------	------	------	------	------	------	------	------	------	------	------	------	------	------	------	------

U011_S002

STAY:PRESSURE:OIL SUPPLY ROLLER:ASS'Y(Optional)



55.D0394380
STAY:PRESSURE:
OIL SUPPLY ROLL
ER:ASS'Y(Optional)



43.D0394183
STAY:PRESSURE:
ASS'Y

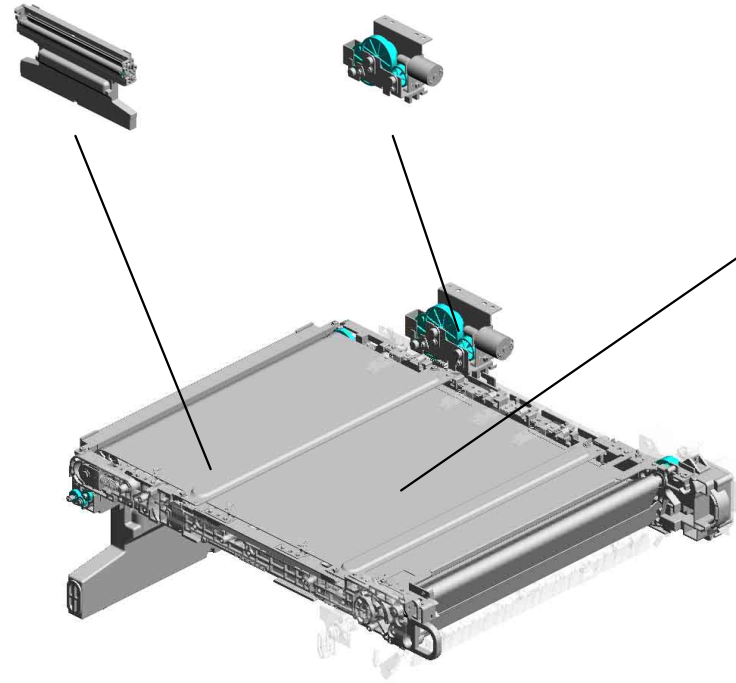
3.07200030E (x 4)
RETAINING RING - M3

U001	U002	U003	U004	U005	U006	U007	U008	U009	U010	U011	U012	U013	U014	U015	U016
------	------	------	------	------	------	------	------	------	------	------	------	------	------	------	------

U012.IMAGE TRANSFER

U012_S002
D1056036
CLEANING UNIT:INTERMEDI
ATE TRANSFER:SERVICE:AS
S'Y

U012_S003
D0396048
DRIVE UNIT:ON-OFF:TRANS
FER ROLLER:ASS'Y



U012_S001
D1056003
TRANSFER UNIT:INTERMEDI
ATE TRANSFER:SERVICE:AS
S'Y

U001	U002	U003	U004	U005	U006	U007	U008	U009	U010	U011	U012	U013	U014	U015	U016
------	------	------	------	------	------	------	------	------	------	------	------	------	------	------	------

U012 IMAGE TRANSFER

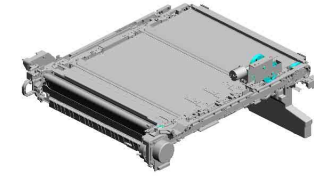
42.D0396306
FEELER:TONER COLLECTION COIL

41.D0396305
HOLDER:USED TO
NER SENSOR:BELT
CLEANING

28.AW020145
PHOTOINTERRUPTOR:FLAT

15.11050692
CLAMP:LES-0503

5.04513006N
(x15)
TAPPING SCREW -
3X6



6.04513025N
(x4)
TAPPING SCREW:
M3X25

22.AA063458
COMPRESSION SPRING:KNOB

27.AA143867
SCREW:DIA4:M3

23.AA066391
(x2)
TENSION SPRING:
ON-OFF

47.D0396325
BUSHING:DENSITY
SENSOR:FRONT

44.D0396321
DENSITY SENSOR

46.D0396324
GUIDE PLATE:TRANSFER:ENTRANCE

45.D0396323
BRACKET:SENSOR:TM

49.D0396327
(x6)
SPACER:SENSOR:TM

48.D0396326
BUSHING:DENSITY
SENSOR:REAR

7.04563008N
(x3)
TAPPING SCREW -
M3X8

39.D0396122
GEAR:INTERMEDIATE TRANSFER:NO.1

2.03530040N
(x3)
SCREW - M3X4

38.D0396119
BRACKET:INTERMEDIATE TRANSFER:DRIVE:ASSY

30.AX050298
BRUSHLESS MOTOR:INTERMEDIATE TRANSFER

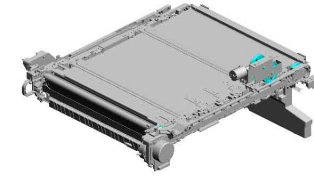
13.11050516
CLAMP

14.11050534
CLAMP

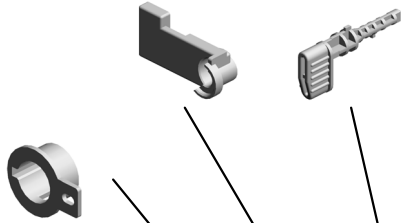
3.03603020N (x 1)
SCREW:M3X20
4.03603030N (x 1)
SCREW:M3X30

U012 IMAGE TRANSFER

52.D0396337 SHUTTER:ON-OFF: BK
53.D0396338 KNOB:ON-OFF:INT
ERMEDIATE TRANSFER: BK
090131 X/O



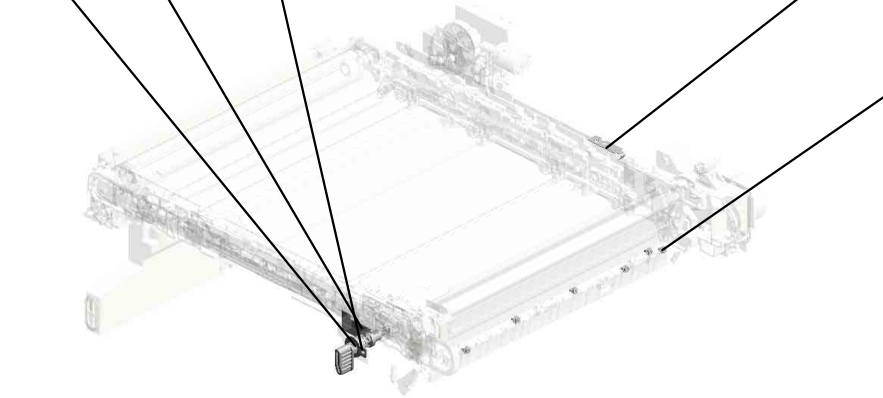
51.D0396334 HOLDER:KNOB:ON-OFF: BK



50.D0396330 GROUND PLATE:BIAS: BK



58.08025299 (x6) TAPPING SCREW - M3X8

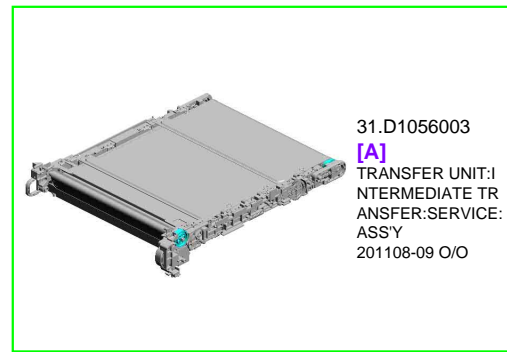


U001	U002	U003	U004	U005	U006	U007	U008	U009	U010	U011	U012	U013	U014	U015	U016
------	------	------	------	------	------	------	------	------	------	------	------	------	------	------	------

U012_S001

TRANSFER UNIT:INTERMEDIATE TRANSFER:SERVICE:ASS'Y

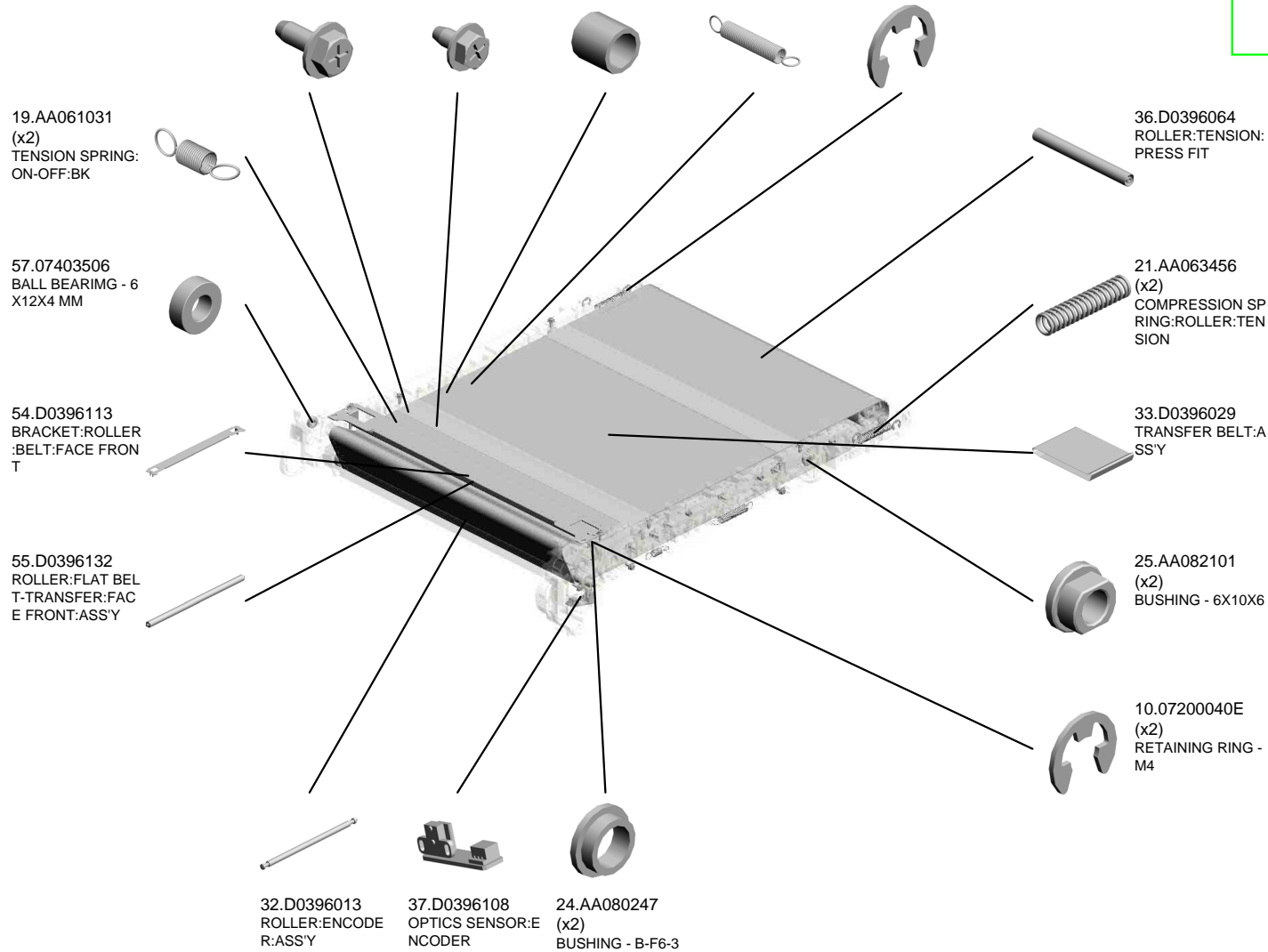
- 7.04563008N (x27) TAPPING SCREW - M3X8
- 5.04513006N (x2) TAPPING SCREW - 3X6
- 8.07074050N (x6) BUSHING - 4X5
- 20.AA061032 (x2) TENSION SPRING: ON-OFF:FC
- 11.07200060E (x6) RETAINING RING - M6



31.D1056003
[A]
TRANSFER UNIT:INTERMEDIATE TR:
ANSFER:SERVICE:ASS'Y
201108-09 O/O



D0396003
[A]
TRANSFER UNIT:INTERMEDIATE TR:
ANSFER:SERVICE:ASS'Y
201108-09 O/O



U001	U002	U003	U004	U005	U006	U007	U008	U009	U010	U011	U012	U013	U014	U015	U016
------	------	------	------	------	------	------	------	------	------	------	------	------	------	------	------

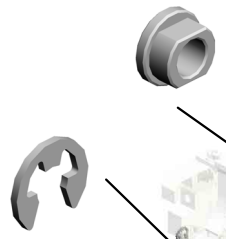
U012_S002
 CLEANING UNIT:INTERMEDIATE TRANSFER:SERVICE:ASS'Y

25.AA082101
 BUSHING - 6X10X6



34.D1056036
 [A]
 CLEANING UNIT:IN
 TERMEDIATE TRA
 NSFER:SERVICE:A
 SS'Y
 201108-17 O/O

9.07200030E
 (x2)
 RETAINING RING -
 M3



59.08050089
 (x2)
 RETAINING RING -
 M4



26.AA132013
 SPACER



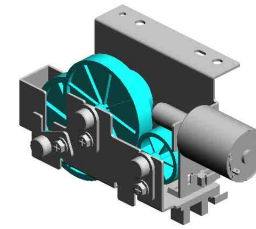
D0396036
 [A]
 CLEANING UNIT:IN
 TERMEDIATE TRA
 NSFER:SERVICE:A
 SS'Y
 201108-17 O/O

U001	U002	U003	U004	U005	U006	U007	U008	U009	U010	U011	U012	U013	U014	U015	U016
------	------	------	------	------	------	------	------	------	------	------	------	------	------	------	------

U012_S003
 DRIVE UNIT:ON-OFF:TRANSFER ROLLER:ASS'Y

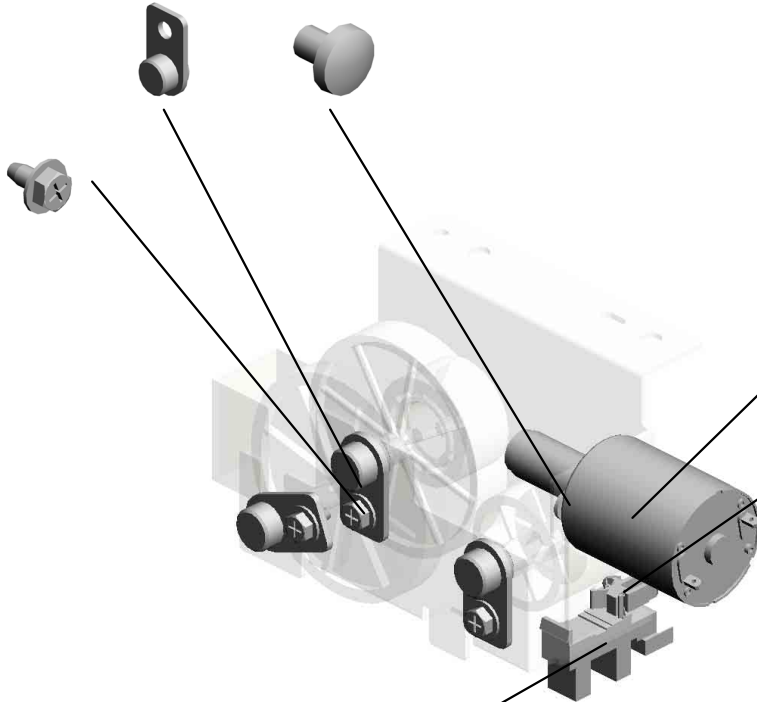
43.D0396315 (x3)
 BUSHING:GEAR:O
 N-OFF

1.03530030N (x2)
 SCREW:M3X3



35.D0396048
 DRIVE UNIT:ON-OFF:
 F:TRANSFER ROLL
 ER:ASS'Y

5.04513006N (x3)
 TAPPING SCREW -
 3X6



40.D0396134
 DC MOTOR:ON-OFF
 F:ASS'Y

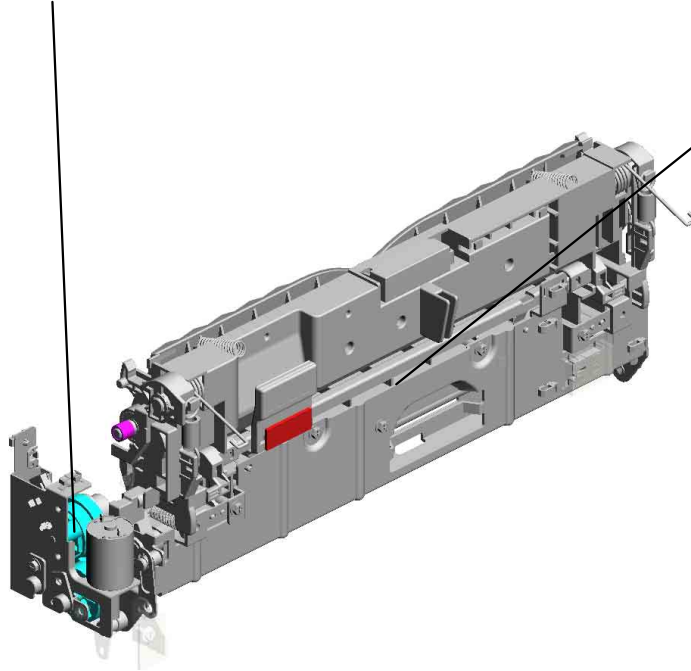
12.11050511
 HARNESS CLAMP -
 LWS-0306ZC

29.AW020190
 PHOTOINTERRUPTOR

U001	U002	U003	U004	U005	U006	U007	U008	U009	U010	U011	U012	U013	U014	U015	U016
------	------	------	------	------	------	------	------	------	------	------	------	------	------	------	------

U013.SEPARATION/TRANSPORT

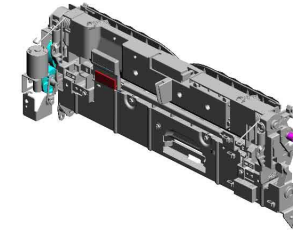
U013_S002
D0396340
DRIVE UNIT:ON-OFF:TRANS
FER ROLLER:SECOND:ASS'
Y



U013_S001
D0396204
TRANSFER/SEPARATION UN
IT:SECOND:ASS'Y

U001	U002	U003	U004	U005	U006	U007	U008	U009	U010	U011	U012	U013	U014	U015	U016
------	------	------	------	------	------	------	------	------	------	------	------	------	------	------	------

U013 SEPARATION/TRANSPORT



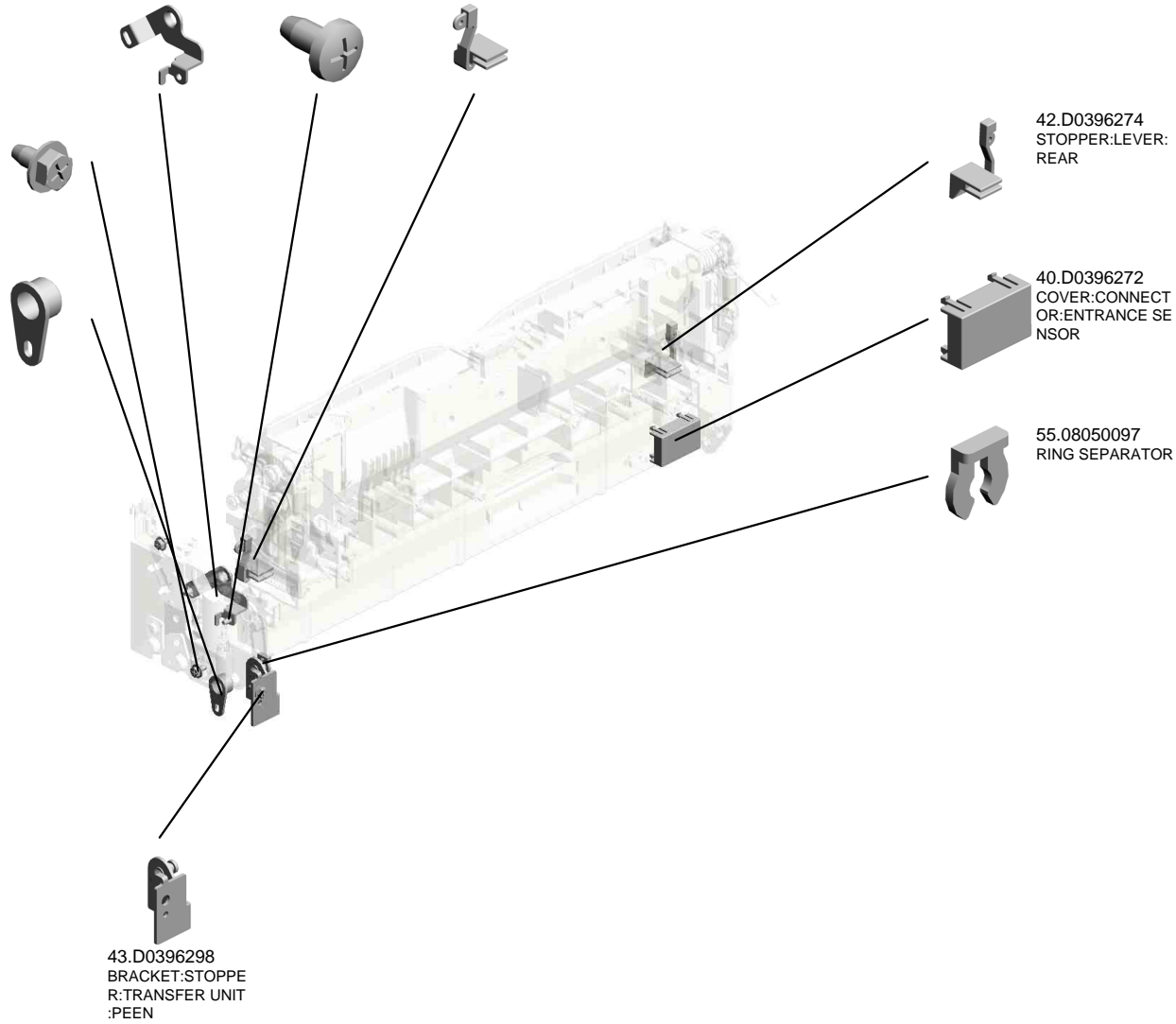
51.D0396350
BRACKET:ON-OFF

3.04533006N
(x2)
TAPPING SCREW -
M3X6

41.D0396273
STOPPER:LEVER:
FRONT

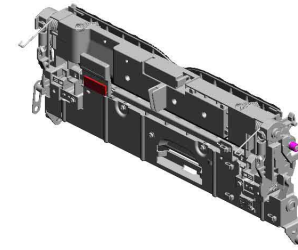
2.04513006N
(x4)
TAPPING SCREW -
3X6

35.D0396261
BUSHING:POSITIO
NING:TRANSFER/S
EPARATION UNIT



U001	U002	U003	U004	U005	U006	U007	U008	U009	U010	U011	U012	U013	U014	U015	U016
------	------	------	------	------	------	------	------	------	------	------	------	-------------	------	------	------

U013_S001
TRANSFER/SEPARATION UNIT:SECOND:ASS'Y



52.D0396204
[A]
TRANSFER/SEPARATION UNIT:SECOND:ASS'Y
201101-05 X/O

6.07200060E (x2) RETAINING RING - M6
20.D0396227 LEVER:TRANSFER /SEPARATION UNIT:FRONT
4.04563010N (x5) TAPPING SCREW - M3X10
12.AW010118 PAPER FEED SENSOR
14.D0396210 TRANSFER/SEPARATION UNIT:SECOND:ASSY

25.D0396232 TORSION SPRING: LEVER:SET:FRONT

24.D0396231 (x2) TENSION SPRING: LEVER:SET

22.D0396229 LEVER:SET:FRONT

16.D0396223 LEVER:PRESSURE:TRANSFER ROLLER:FRONT

18.D0396225 (x2) COMPRESSION SPRING:PRESSURE:TRANSFER ROLLER:FRONT

28.D0396236 SHAFT:RELEASE

27.D0396235 TERMINAL:EARTH

8.11026284 CONNECTOR - 3P

19.D0396226 (x2) TERMINAL:EARTH:TRANSFER ROLLER

9.11050511 (x5) HARNESS CLAMP - LWS-0306ZC

7.11026168 (x2) CONNECTOR - 3P

15.D0396241 GUIDE PLATE:TRANSFER UNIT
201010-04 X/O

21.D0396228 LEVER:TRANSFER /SEPARATION UNIT:REAR

26.D0396233 TORSION SPRING: LEVER:SET:REAR

23.D0396230 LEVER:SET:REAR

17.D0396224 LEVER:PRESSURE:TRANSFER ROLLER:REAR

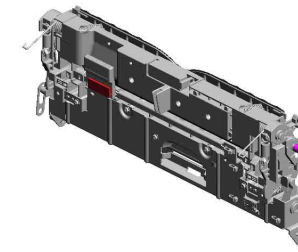
U001 U002 U003 U004 U005 U006 U007 U008 U009 U010 U011 U012 U013 U014 U015 U016

U013_S001
TRANSFER/SEPARATION UNIT:SECOND:ASS'Y

39.D0396271
DECAL:GRIP:B

31.D0396239
GRIP:RELEASE

54.D0396270
BRACKET:FUSING:
ENTRANCE SENS
OR



52.D0396204
[A]
TRANSFER/SEPARATION UNIT:SECO
ND:ASS'Y
201101-05 X/O

29.D0396242
LEVER:RELEASE:T
RANSFER/SEPARA
TION UNIT:FRONT
201011-02 X/O

37.D0396268
LEVER:ON-OFF:TR
ANSFER ROLLER:
FRONT

34.D0396259
LINK:GUIDE PLATE
:TRANSFER



53.D0396260
BRACKET:ENTRAN
CE SENSOR

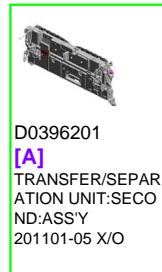
36.D0396262
(x2)
COMPRESSION SP
RING:TRANSPORT
SUB-UNIT

38.D0396269
LEVER:ON-OFF:TR
ANSFER ROLLER:
REAR

32.D0396251
BASE:TRANSFER/
SEPARATION UNIT
:SECOND:PEEN

33.D0396258
SHAFT:ON-OFF:DI
A8

30.D0396243
LEVER:RELEASE:T
RANSFER/SEPARA
TION UNIT:REAR
201012-05 X/O

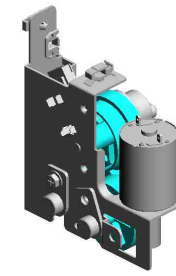


D0396201
[A]
TRANSFER/SEPARATION UNIT:SECO
ND:ASS'Y
201101-05 X/O

U013_S002

DRIVE UNIT:ON-OFF:TRANSFER ROLLER:SECOND:ASS'Y

9.11050511 (x2) HARNESS CLAMP - LWS-0306ZC
 10.11050692 CLAMP:LES-0503
 50.D0396349 CAM:ON-OFF

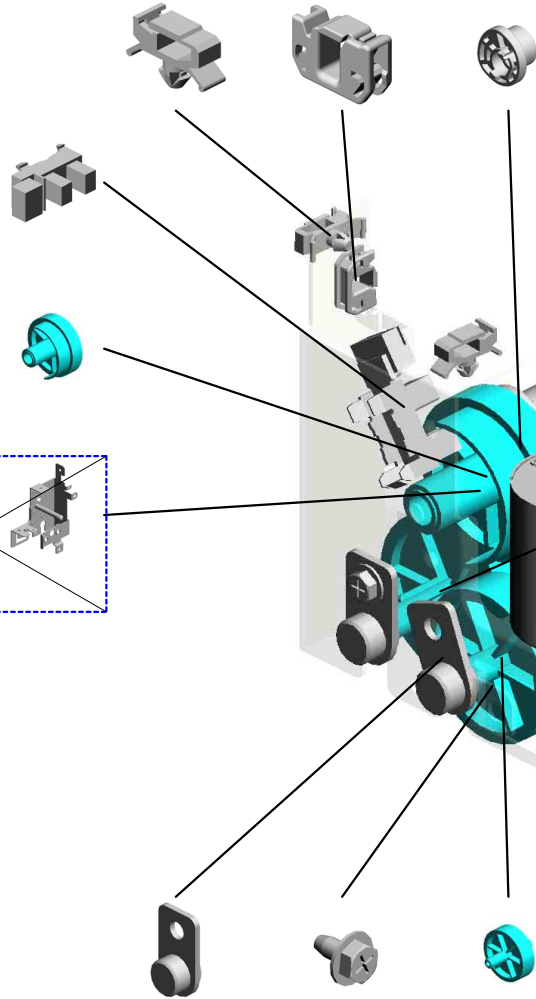


56.D0396340
 DRIVE UNIT:ON-OFF:
 F:TRANSFER ROLL
 ER:SECOND:ASS'Y

13.AW020145
 PHOTOINTERRUP
 TOR:FLAT

49.D0396348
 GEAR:ON-OFF

46.D0396343
 BRACKET:ON-OFF:
 ASS'Y
 201008-01 X/O



44.D0396315 (x2)
 BUSHING:GEAR:O
 N-OFF

2.04513006N (x2)
 TAPPING SCREW -
 3X6

47.D0396346
 GEAR:ON-OFF:IDL
 ER:1

45.D0396341
 DC MOTOR:ON-OF
 F:TRANSFER ROLL
 ER:SECOND:ASS'Y

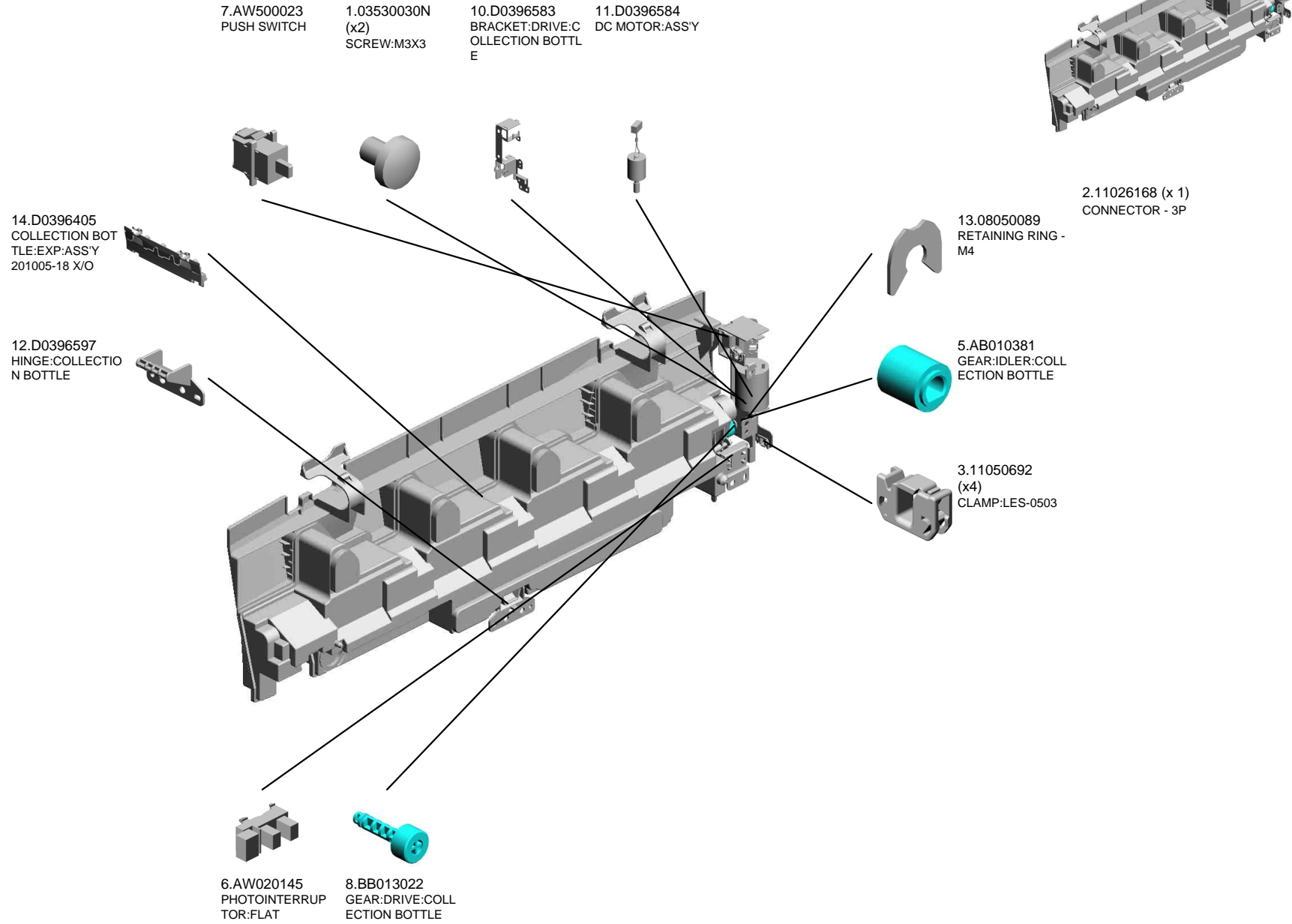
48.D0396347
 GEAR:ON-OFF:IDL
 ER:2

1.03530030N (x2)
 SCREW:M3X3

5.07200040E (x 1)
 RETAINING RING - M4
 7.11026168 (x 1)
 CONNECTOR - 3P

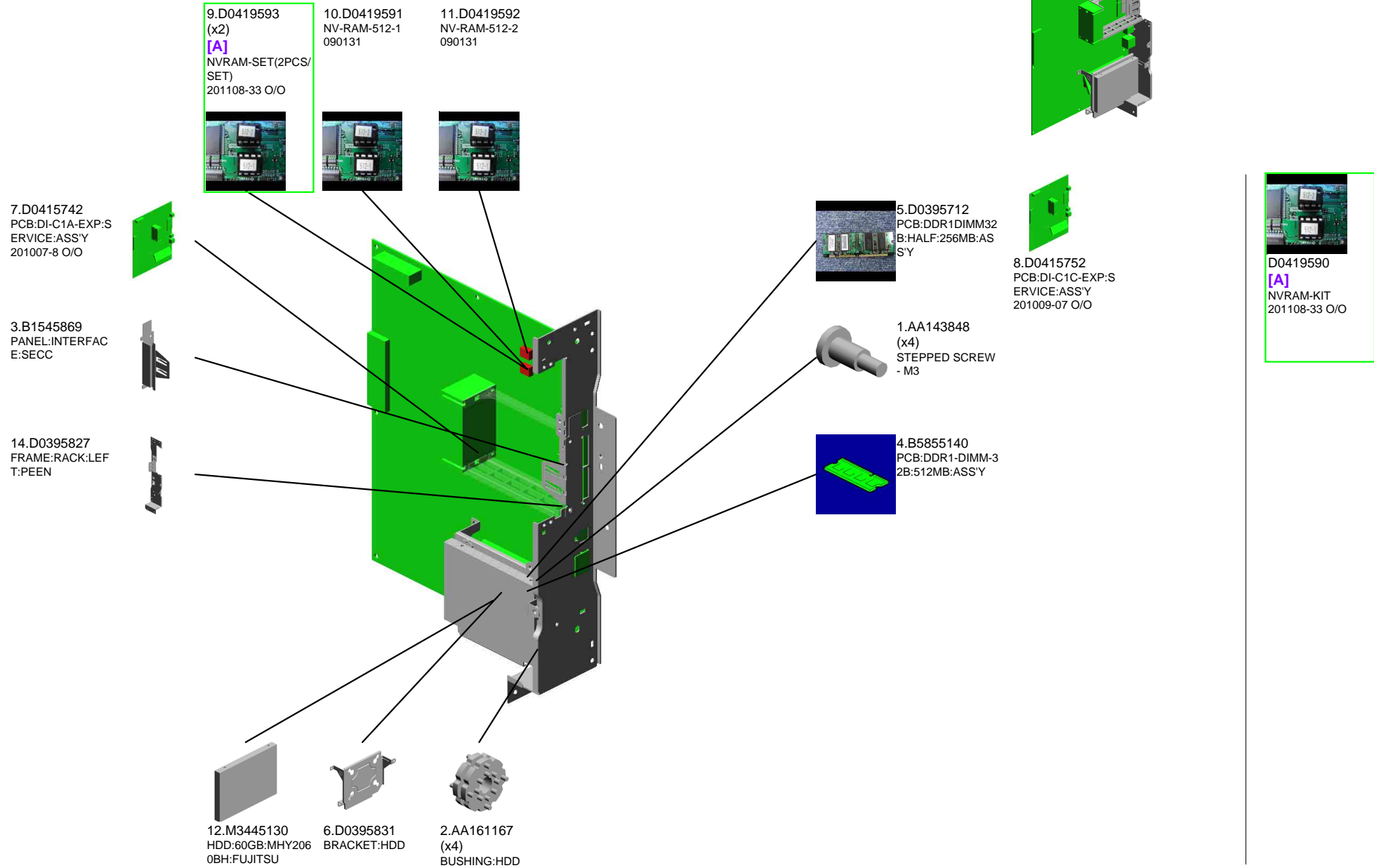
U001	U002	U003	U004	U005	U006	U007	U008	U009	U010	U011	U012	U013	U014	U015	U016
------	------	------	------	------	------	------	------	------	------	------	------	------	------	------	------

U014 TONER COLLECTION



U001	U002	U003	U004	U005	U006	U007	U008	U009	U010	U011	U012	U013	U014	U015	U016
------	------	------	------	------	------	------	------	------	------	------	------	------	-------------	------	------

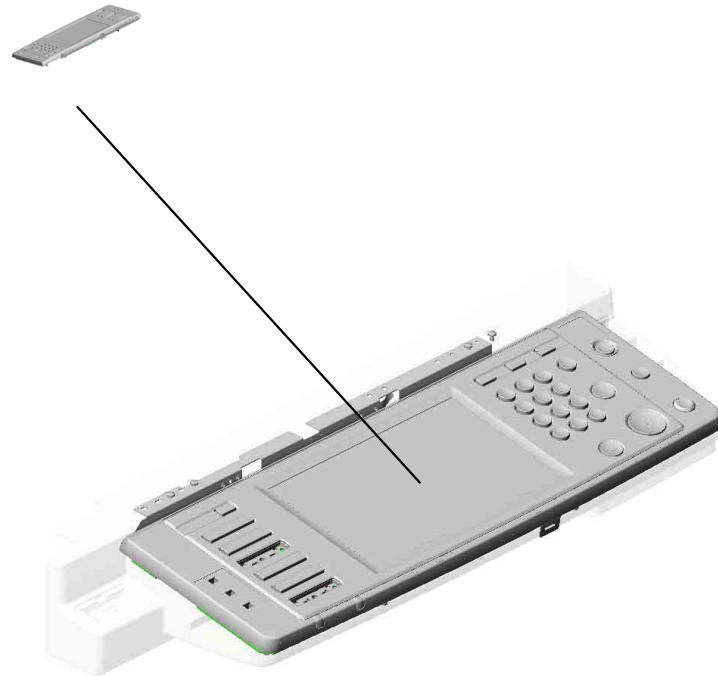
U015 CONTROLLER



U001	U002	U003	U004	U005	U006	U007	U008	U009	U010	U011	U012	U013	U014	U015	U016
------	------	------	------	------	------	------	------	------	------	------	------	------	------	------	------

U016.OPERATION

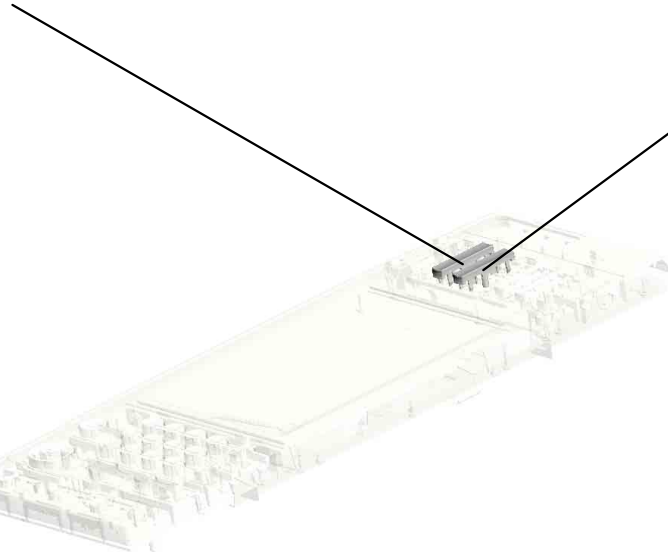
U016_S001
D0391442
OPERATION SUB-UNIT:EU:A
SS'Y



U001	U002	U003	U004	U005	U006	U007	U008	U009	U010	U011	U012	U013	U014	U015	U016
------	------	------	------	------	------	------	------	------	------	------	------	------	------	------	-------------

U016_S001.OPERATION SUB-UNIT:EU:ASS'Y

U016_S001_S002
B2231538
KEYTOP:SCANNER:EU



U016_S001_S001
B2231537
KEYTOP:PRINTER:EU

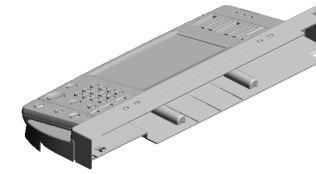


U001	U002	U003	U004	U005	U006	U007	U008	U009	U010	U011	U012	U013	U014	U015	U016
------	------	------	------	------	------	------	------	------	------	------	------	------	------	------	------

U016 OPERATION

3.04513008N
(x2)
TAPPING SCREW -
M3X8

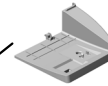
38.D0391231
COVER:SCANNER:
FRONT



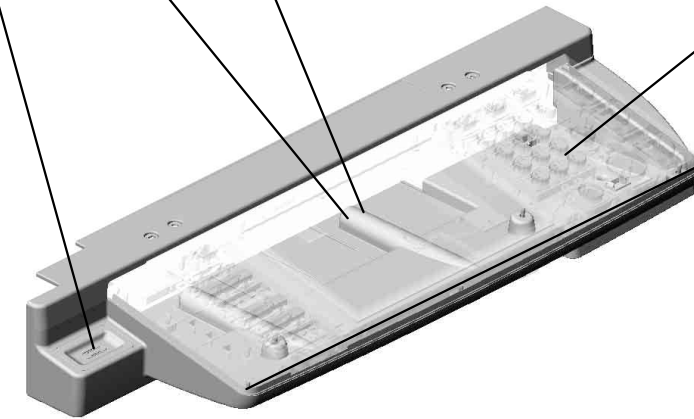
40.D0391239
CAP:COVER:OPER
ATION SUB-UNIT



39.D0391236
COVER:SCANNER:
FRONT LOWER

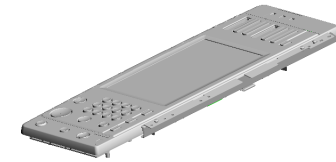


4.04563010N
(x5)
TAPPING SCREW -
M3X10



U016_S001 OPERATION SUB-UNIT:EU:ASS'Y

9.B2231520 KEYTOP - CLEAR/STOP
 17.B2381509 KEYTOP - INTERR UPT
 10.B2231521 KEYTOP:10KEY
 22.B2381534 (x2) LCD SPACER A
 23.B2381535 (x2) LCD SPACER B



43.D0391442
 [A]
 OPERATION SUB-UNIT:EU:ASS'Y
 201005-10 X/O

15.B2381504
KEYTOP - START



16.B2381506
KEYTOP - TRY PRINT



27.B2381552
KEYTOP - KANTAN



26.B2381550
KEYTOP - LOGIN



25.B2381549
KEYTOP - POWER SOURCE



2.04503010N (x25)
TAPPING SCREW - M3X10



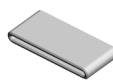
1.03530060N (x4)
BIND SCREW - M3X6



21.B2381519
LENS - FRONT



6.16072053
FERRITE CORE:E0 4FG210810



24.B2381547
SPACER - KEYTOP

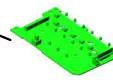


12.B2231535
KEYTOP:DOC:EU

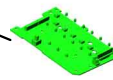


8.B2231518
KEYTOP - BLANK FB

11.B2231534
KEYTOP:COPY:EU



7.B2231497
PCB:APC1:OP-L:S UB-ASS'Y



18.B2381511
KEYTOP - COUNTER

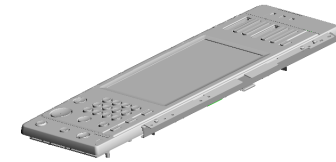


5.11050032
CLAMP



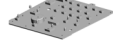
U016_S001
OPERATION SUB-UNIT:EU:ASS'Y

28.B2381583 KEYTOP - CLEAR MODES
 36.D0091557 PANEL:UPPER:EU
 35.D0091504 SHADEING PLATE: TOUCH PANEL
 33.D0091488 TOUCH PANEL:W-VGA:MA

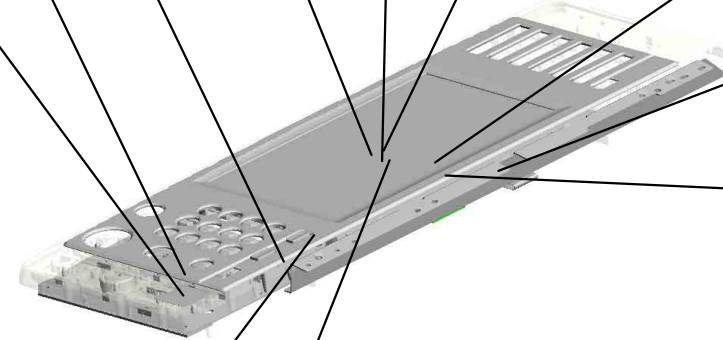
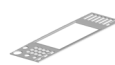


43.D0391442
[A]
 OPERATION SUB-UNIT:EU:ASS'Y
 201005-10 X/O

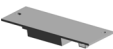
30.D0091470
 PCB:OP-R
 201010-07 O/O



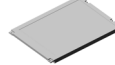
29.B2861479
 SHEET:POWER SOURCE:N-C2:EU



31.D0091486
 INVERTOR:TFT



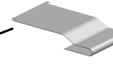
34.D0091498
 LCD:TFT:W-VGA:MOV



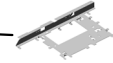
44.D0391482
 PCB:LCDC:EU:ASS'Y
 201005-12 X/O



32.D0091487
 CABLE:FFC:TFT:LCD



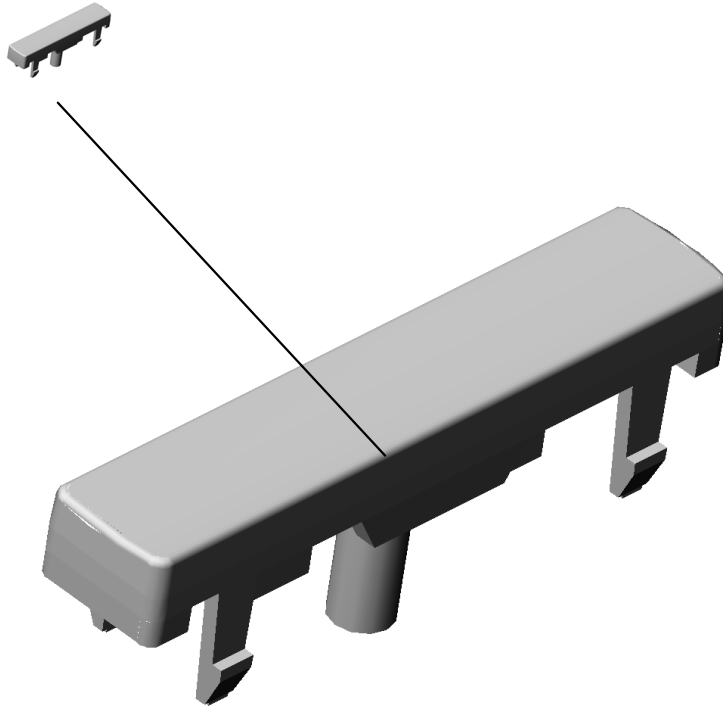
37.D0191505
 BRACKET- LCDC BOARD



D0391412
[A]
 OPERATION SUB-UNIT:EU:ASS'Y
 201005-10 X/O

U016_S001_S001
KEYTOP:PRINTER:EU

19.B2381515
KEYTOP - PRINTE
R

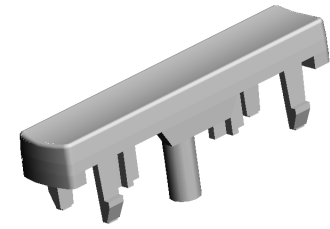
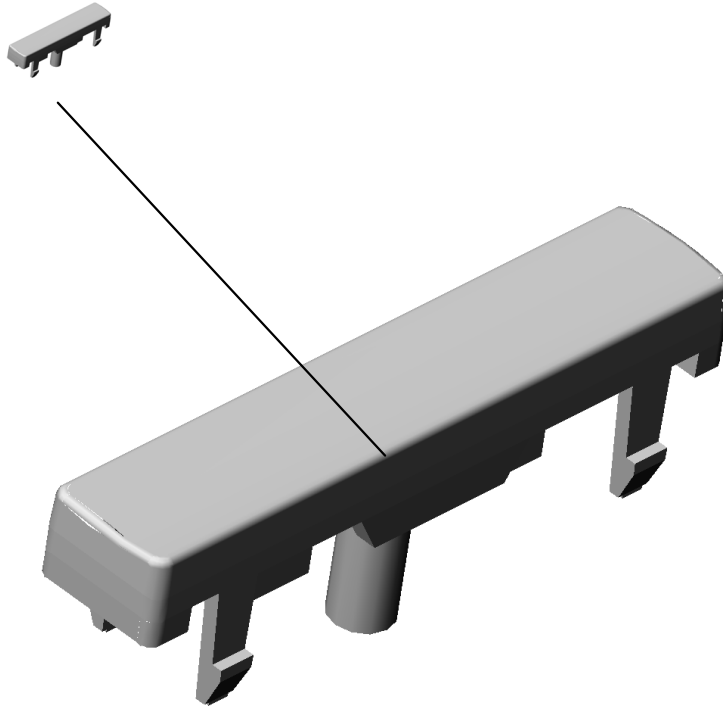


13.B2231537
KEYTOP:PRINTER:
EU

U001	U002	U003	U004	U005	U006	U007	U008	U009	U010	U011	U012	U013	U014	U015	U016
------	------	------	------	------	------	------	------	------	------	------	------	------	------	------	------

U016_S001_S002
KEYTOP:SCANNER:EU

20.B2381516
KEYTOP - SCANNER



14.B2231538
KEYTOP:SCANNER:EU

U001	U002	U003	U004	U005	U006	U007	U008	U009	U010	U011	U012	U013	U014	U015	U016
------	------	------	------	------	------	------	------	------	------	------	------	------	------	------	------

Accessories



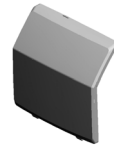
1.AA000239
DECAL:COLOR:MFP



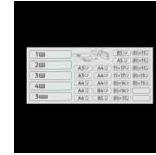
2.AA001477
DECAL:ENERGY-STAR



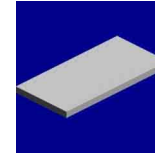
3.B1217450
DECAL - WEEE



4.B2231253
EMBLEM COVER



5.B2382524
DECAL - PAPER SIZE



6.B6522379
DECAL:CAUTION:ORIGINAL:5-LANG



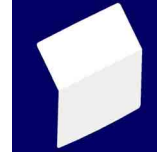
7.D0111251
DECAL:MAIN SWITCH:O-I



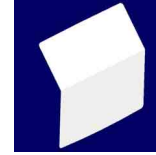
8.D0386601
(x2)
SHEET:EMBLEM:D038:RIC:EXP



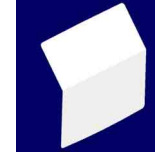
9.D0386605
(x2)
SHEET:EMBLEM:D038:NSA



10.D0386606
(x2)
SHEET:EMBLEM:D038:REX



11.D0386608
(x2)
SHEET:EMBLEM:D038:INF



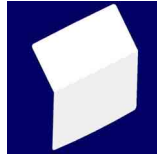
12.D0386609
(x2)
SHEET:EMBLEM:D038:GES:EU



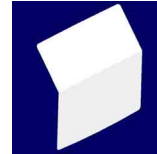
13.D0391359
DECAL:CAUTION:ORIGINAL:ENGLISH



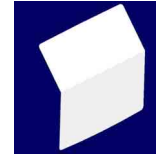
14.D0394586
COVER:GRIP:DUPLX UNIT



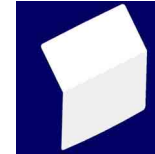
15.D0416601
SHEET:EMBLEM:D041:RIC:EXP



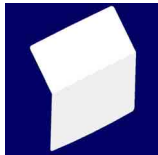
16.D0416605
SHEET:EMBLEM:D041:NSA



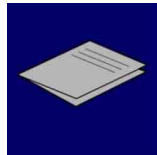
17.D0416606
SHEET:EMBLEM:D041:REX



18.D0416608
SHEET:EMBLEM:D041:INF



19.D0416609
SHEET:EMBLEM:D041:GES:EU



20.D0417921
SHEET:NOTES_POWER:GB
201005-03

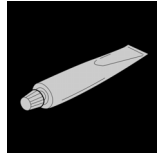
Special Tools



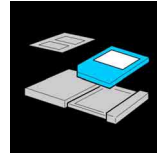
1.A0929503
C4 Color Test Chart (3 pcs/set)



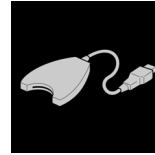
2.A1849501
OPTICS ADJUSTMENT TOOL



3.A2579300
Grease - Barrierta S552R



4.B6455010
SD Card



5.B6456830
USB Reader/Writer



6.C4019503
20X Magnification Scope



7.VSSM9000
Digital Multimeter-FLUKE189/FVF

Exclusive Parts

Number	Part Name	Group	ID
52062686	SNAP RING	U003	5
52152621	SNAP RING - M6	U009_S001	12
		U009_S002	12
		U009_S001_S004	13
52152713	BOTTOM PLATE PAD	U009_S002_S004	13
		U006_S001	13
52164198	STEPPED SCREW - GUIDE PLATE	U001	15
54421924	EXPOSURE GLASS CUSHION	Special Tools	1
A0929503	C4 Color Test Chart (3 pcs/set)	U001_S002	18
A1001714	REFLECTOR	Special Tools	2
A1849501	OPTICS ADJUSTMENT TOOL	U001	19
A1931766	WIRE CLAMP	U001	21
A1931769	CLAMP - REAR WIRE	U009_S001	18
A2322987	ROLLER - PAPER TRAY	U009_S002	18
		U001_S001	22
A2324666	CUSHION - STEPPER MOTOR	U001	23
A2501752	EXPOSURE GLASS	U001_S003	24
A2501791	2ND SCANNER SHOE	Special Tools	3
A2579300	Grease - Barrierta S552R	U001_S004	25
A6283112	SHIELDING SHEET	Accessories	1
AA000239	DECAL:COLOR:MFP	U004	11
AA000252	DECAL:H-TEMP WARNING	Accessories	2
AA001477	DECAL:ENERGY-STAR	U003	7
AA010122	FILTER:REAR	U003	6
AA012133	FILTER:IMAGE FORMING MD	U009_S001	19
		U009_S002	19
AA060866	LEVER SPRING	U001	26
AA060979	TENSION SPRING:TENSION:14720 MN	U001	27
AA060980	TENSION SPRING:TENSION:11300 MN	U012_S001	19
AA061031	TENSION SPRING:ON-OFF:BK	U012_S001	20
AA061032	TENSION SPRING:ON-OFF:FC	U012_S001	21
AA063456	COMPRESSION SPRING:ROLLER:TENSION	U012	22
AA063458	COMPRESSION SPRING:KNOB	U005	30
AA063568	PRESSURE SPRING	U009_S001	20
AA063629	SPRING - 2.8N	U009_S002	20

Number	Part Name	Group	ID
AA063630	SPRING	U009_S001	21
		U009_S002	21
AA063952	COMPRESSION SPRING:BELT TENSIONER	U011_S001	9
AA066387	TORSION SPRING:STRIPPER PLATE:FRONT	U011_S001	10
AA066388	TORSION SPRING:STRIPPER PLATE:REAR	U012	23
AA066391	TENSION SPRING:ON-OFF	U011_S001	12
AA066395	SPRING:PRESSURE:35N	U012_S001	24
AA080247	BUSHING - B-F6-3	U009	22
AA080254	BUSHING - M4	U004_S001	12
AA082075	BUSHING - M6	U009	23
		U006	15
AA082101	BUSHING - 6X10X6	U006_S001	15
		U006_S004	15
		U006_S005	15
		U009	24
		U012_S001	25
AA082104	BUSHING - 8X12X7	U012_S002	25
AA082144	BUSHING - 8X12X7	U006_S001	16
AA132013	SPACER	U001	28
AA141018	SHAFT:DRIVE:TONER SUPPLY	U012_S002	26
AA143520	SHOULDER SCREW - M3	U010	8
AA143555	SCREW - M3X5	U011_S001	13
AA143592	SCREW- M4X6	U002	20
		U002	21
		U005	31
AA143848	STEPPED SCREW - M3	U015	1
AA143867	SCREW:DIA4:M3	U012	27
AA143870	STEPPED SCREW	U011_S001	14
AA152138	SEAL - G6X10X2	U008_S001_S001	1
		U008_S002_S001	1
		U008_S003_S001	1
		U008_S004_S001	1
AA161167	BUSHING:HDD	U015	2
AB010381	GEAR:IDLER:COLLECTION BOTTL	U014	5

Exclusive Parts

Number	Part Name	Group	ID
	E		
AB011287	GEAR:PAPER FEED:NO.2	U006	17
AB011288	GEAR:PAPER FEED:NO.3	U006	18
AB011289	GEAR:PAPER FEED:NO.4	U006	19
AB012054	GEAR:HOT ROLLER:ROLLER CLU TCH:Z19	U011_S001	15
AB012056	GEAR:PRESSURE ROLLER:Z27	U011_S001	16
AB012057	GEAR:DRIVE:FUSING UNIT	U011_S001	17
AB012058	GEAR:IDLER:DRIVE:Z18	U011_S001	18
AB012059	GEAR:IDLER:FUSING:Z15XZ21	U011_S001	19
AB012060	GEAR:IDLER:PRESSURE:Z18	U011_S001	20
AB016000	GEAR:EXIT:NO.3	U006	20
AB017765	GEAR:PAPER FEED:NO.1	U006	21
AB017766	GEAR:REGISTRATION	U006	22
AB017767	GEAR:FUSING:NO.1	U006	23
AB017768	GEAR:FUSING:NO.2	U006	24
AB017769	GEAR:EXIT:NO.1	U006	25
AB017770	GEAR:EXIT:NO.2	U006	26
AC030169	MIRROR:NO.1	U001_S002	29
AE010074	HOT ROLLER:DIA29	U011_S001	21
AE012034	HEAT ROLLER:DIA24:COAT	U011_S001	22
AE020175	PRESSURE ROLLER:DIA30	U011_S001	23
AE030059	BALL BEARING:MM20XMM32X7	U011_S001	24
AE030074	BALL BEARING:DIA17XDIA26X5	U011_S001	25
AE030078	BALL BEARING:DIA10XDIA19X5	U011_S001	26
AE031072	BUSHING:FUSING SUB-UNIT	U011_S001	27
AE040070	ROLLER:BELT TENSIONER:DIA11	U011_S001	28
AF017025	END FENCE	U009_S001	25
		U009_S002	25
AF031060	BY-PASS FEED ROLLER	U009	26
AF031084	PAPER FEED ROLLER MM36	U009_S001	27
		U009_S002	27
AF033008	FRICITION PAD:10X50	U009	28
		U009_S001_S001	28
		U009_S002_S001	28
AF040571	GUIDE ROLLER	U004_S001	13
AG070514	MAGNET CATCH	U009	29
AW010107	PAPER FEED SENSOR	U009	30

Number	Part Name	Group	ID
AW010118	PAPER FEED SENSOR	U013_S001	12
AW010134	ORIGINAL SENSOR - 48MM	U001	30
AW010143	PHOTO REFLECTION SENSOR:PS R11TL1R-C	U004_S001_S001	14
AW020145	PHOTOINTERRUPTOR:FLAT	U001	31
		U012	28
		U013_S002	13
		U014	6
AW020146	PHOTOINTERRUPTOR:FLAT:PICH 2MM:M4	U001	32
AW020190	PHOTOINTERRUPTOR	U012_S003	29
AW020198	PHOTOINTERRUPTOR:LG2A14NL1	U009	206
AW020201	PHOTOINTERRUPTOR:VERTICAL TRANSPORT	U009	32
AW020205	PHOTOINTERRUPTOR:DUPLEX	U009	31
AW100123	THERMISTOR:FUSING:FRONT	U011_S001	29
AW100124	THERMOPILE	U011	30
AW100127	THERMISTOR:PRESSURE:MIDDLE	U011_S001	31
AW100128	THERMISTOR:PRESSURE:FRONT	U011_S001	32
AW110075	THERMOSTAT:HEAT ROLLER:ASS 'Y	U011_S001	33
AW110078	THERMOSTAT:146C	U011_S001	34
AW140015	TEMPERATURE & HUMIDITY SEN SOR	U005	32
AW500023	PUSH SWITCH	U005	33
		U014	7
AW500037	PAPER SIZE SENSOR	U009	33
AW500038	PUSH SWITCH:PAPER SIZE SENS OR	U009	34
AX050298	BRUSHLESS MOTOR:INTERMEDIA TE TRANSFER	U012	30
AX050302	STEPPER MOTOR:TRANSPORT	U006	27
		U009	35
AX050303	STEPPER MOTOR:REGISTRATION :DIA49	U006	28
AX060000	BRUSHLESS MOTOR:DRUM	U006	29
		U006_S001	29

Exclusive Parts

Number	Part Name	Group	ID
AX060355	BRUSHLESS MOTOR - DC 11W	U006	30
AX060376	BRUSHLESS MOTOR:DEVELOPMENT:COLOR	U006	31
AX060397	POLYGON SCANNER	U007_S001	2
AX200317	MAGNETIC CLUTCH:DEVELOPMENT	U006	32
AX430172	HEATER:230V:420W	U011_S001	35
AX440300	HEATER:230V:660W/470W	U011_S001	60
AX640170	FAN MOTOR - MM60 DC24V	U005	34
AX640196	FAN:AXIAL:MM40:24V	U002	22
AX640199	FAN:MM80:25MM:DC 2.16W	U002	23
AX640200	FAN:MM60:DC 3.12W	U002	24
AX640202	FAN:MM40X15:NIDEC:H	U004	15
AZ240128	POWER SUPPLY UNIT:EU/AA/CHN	U005_S001	35
AZ320180	POWER PACK:TTS:AT-C2	U005	36
AZ320181	POWER PACK:CB	U005	37
B0241264	MAGNET CATCH	U003	8
B0391367	RIVET - M6	U003	9
B0392628	BOTTOM PLATE PAD	U009	36
B0392727	BUSHING - 8X12X10	U009_S001	37
		U009_S002	37
B0392730	PAPER END SENSOR	U009	38
B0434685	SPRING - 2.8N	U009	39
B0512725	SHEET - FRICTION PAD	U009_S001	40
		U009_S002	40
B0771253	CAP:34X55	U003	10
B1011097	RUBBER FOOT:H5	U002	25
B1217450	DECAL - WEEE	Accessories	3
B1542722	FRICTION PAD:ASS'Y	U009_S001_S001	41
		U009_S002_S001	41
B1542726	SHAFT:PAPER FEED ROLLER:ASS'Y	U009_S001	42
		U009_S002	42
B1545869	PANEL:INTERFACE:SECC	U015	3
B2231144	HOLDER:POSITIONING SENSOR	U006_S002	33
		U006_S003	33
B2231253	EMBLEM COVER	Accessories	4
B2231293	CAP:COVER:REAR	U003	11
B2231497	PCB:APC1:OP-L:SUB-ASS'Y	U016_S001	7

Number	Part Name	Group	ID
B2231518	KEYTOP - BLANK FB	U016_S001	8
B2231520	KEYTOP - CLEAR/STOP	U016_S001	9
B2231521	KEYTOP:10KEY	U016_S001	10
B2231534	KEYTOP:COPY:EU	U016_S001	11
B2231535	KEYTOP:DOC:EU	U016_S001	12
B2231537	KEYTOP:PRINTER:EU	U016_S001_S001	13
B2231538	KEYTOP:SCANNER:EU	U016_S001_S002	14
B2232873	DECAL - SIDE FENCE REAR	U009_S001_S003	43
		U009_S002_S003	43
B2232936	GEAR - 16Z	U009_S001	44
B2234464	TIMING PULLEY:23T	U009	45
B2234552	BUSHING:DIA4	U009	46
B2274673	EXIT ROLLER	U004_S001	16
B2291688	HEATER:OPTION:230V:9W	U001	33
B2381119	LEVER - FRONT UPPER	U002	26
B2381373	CAP - LOUVER MM80	U003	12
B2381396	CAP - REAR	U003	13
B2381504	KEYTOP - START	U016_S001	15
B2381506	KEYTOP - TRY PRINT	U016_S001	16
B2381509	KEYTOP - INTERRUPT	U016_S001	17
B2381511	KEYTOP - COUNTER	U016_S001	18
B2381515	KEYTOP - PRINTER	U016_S001_S001	19
B2381516	KEYTOP - SCANNER	U016_S001_S002	20
B2381519	LENS - FRONT	U016_S001	21
B2381534	LCD SPACER A	U016_S001	22
B2381535	LCD SPACER B	U016_S001	23
B2381547	SPACER - KEYTOP	U016_S001	24
B2381549	KEYTOP - POWER SOURCE	U016_S001	25
B2381550	KEYTOP - LOGIN	U016_S001	26
B2381552	KEYTOP - KANTAN	U016_S001	27
B2381583	KEYTOP - CLEAR MODES	U016_S001	28
B2381715	STEPPER MOTOR DC3.9V	U001_S001	34
B2381762	GROUND PLATE - STEPPER MOTOR	U001	35
B2381792	TIMING BELT - 157ST1.5-4.0	U001	36
B2381793	BUSHING SPACER	U001	37
B2381795	EXPOSURE GLASS	U001	38
B2381801	SCALE - LEFT (A)	U001	39

Exclusive Parts

Number	Part Name	Group	ID
B2381803	DOCUMENT FEEDER BRACKET	U001	40
B2381807	PULLEY	U001	41
B2382524	DECAL - PAPER SIZE	Accessories	5
B2382526	DECAL - GRIP	U009_S001	47
B2382527	DECAL - GRIP	U009_S002	48
B2382675	REGISTRATION ROLLER BUSHING	U009	49
B2382751	DECAL - SCALE	U009	50
B2591367	COVER MAGNET	U003	14
B2614650	SEPARATION PAD	U009_S003	51
B2861479	SHEET:POWER SOURCE:N-C2:EU	U016_S001	29
B3901759	SHAFT:SCALE	U001	42
B5855140	PCB:DDR1-DIMM-32B:512MB:ASS'Y	U015	4
B6455010	SD Card	Special Tools	4
B6456830	USB Reader/Writer	Special Tools	5
B6522379	DECAL:CAUTION:ORIGINAL:5-LAN	Accessories	6
BB013022	GEAR:DRIVE:COLLECTION BOTTLE	U014	8
C2292016	STEPPED SCREW	U005	38
C2442601	FRONT STEPPED SCREW	U011_S001	37
C4019503	20X Magnification Scope	Special Tools	6
D0091470	PCB:OP-R	U016_S001	30
D0091486	INVERTOR:TFT	U016_S001	31
D0091487	CABLE:FFC:TFT:LCD	U016_S001	32
D0091488	TOUCH PANEL:W-VGA:MA	U016_S001	33
D0091498	LCD:TFT:W-VGA:MV	U016_S001	34
D0091504	SHADEING PLATE:TOUCH PANEL	U016_S001	35
D0091557	PANEL:UPPER:EU	U016_S001	36
D0092573	PULLEY - VERTICAL TRANSPORT	U009	52
D0092574	PULLEY - IDLER	U009	53
D0094455	CUSHION - DC SOLENOID	U004_S001	17
		U009	54
D0094485	BUSHING - GATE	U004_S001	18
		U009	55
D0094487	COMPRESSION SPRING - GATE	U009	56
D0094489	DRIVEN ROLLER	U009	57

Number	Part Name	Group	ID
D0094664	DRIVEN ROLLER	U009	58
D0111251	DECAL:MAIN SWITCH:O-I	Accessories	7
D0111253	DECAL:MAIN SWITCH:ON-STANDBY:EU	U001	43
		U002	27
D0191505	BRACKET- LCDC BOARD	U016_S001	37
D0251727	MIRROR:NO.2:CONCAVE:ASS'Y	U001	44
D0251728	MIRROR:NO.2:CONVAX:ASS'Y	U001	45
D0251735	SCALE:LEFT:B:ASS'Y	U001_S004	46
D0251782	SCALE:INNER BACK:PRINTING	U001	47
D0291715	CARRIAGE:NO.1:ASS'Y	U001_S002	48
D0291719	SHEET:CARRIAGE:NO.1	U001_S002	49
D0291745	PULLEY:DRIVE WERE:FRONT	U001	50
D0291748	PULLEY:DRIVE WERE:REAR:ASS'Y	U001	51
D0291749	PULLEY:PROTECTION	U001	52
D0291821	DECAL:SCALE:LEFT	U001_S004	53
D0292677	TRANSPORT BELT:DRIVEN:VERTICAL TRANSPORT	U009	59
D0386601	SHEET:EMBLEM:D038:RIC:EXP	Accessories	8
D0386605	SHEET:EMBLEM:D038:NSA	Accessories	9
D0386606	SHEET:EMBLEM:D038:REX	Accessories	10
D0386608	SHEET:EMBLEM:D038:INF	Accessories	11
D0386609	SHEET:EMBLEM:D038:GES:EU	Accessories	12
D0391066	LEVER:LOCK:FRONT	U002	43
D0391087	LEVER:LOCK:REAR	U002	28
D0391124	BRACKET:DRAWER	U002	29
D0391148	POSITIONING SENSOR:DRUM:ASS'Y	U006_S002	34
		U006_S003	34
D0391158	BRACKET:PAPER FEED:NO.1:ASS'Y	U006_S004	35
D0391162	SHAFT:FEED:ASS'Y	U006	36
D0391163	DRUM STAY:PAPER FEED:NO.1	U006	37
D0391168	GUIDE:HARNESS:PAPER FEED:NO.1	U006	40
D0391171	DRUM STAY:PAPER FEED:NO.2	U006	41
D0391172	BRACKET:PAPER FEED:NO.2:ASS'Y	U006_S005	42
D0391179	BRACKET:FUSING:EXIT:ASS'Y	U006	43

Exclusive Parts

Number	Part Name	Group	ID
D0391188	DRIVE UNIT:DRUM:DEVELOPMENT:ASS'Y	U006_S001	44
D0391231	COVER:SCANNER:FRONT	U016	38
D0391232	COVER:SCANNER:RIGHT	U003	15
D0391236	COVER:SCANNER:FRONT LOWER	U016	39
D0391239	CAP:COVER:OPERATION SUB-UNIT	U016	40
D0391241	INNER COVER:UPPER	U003	16
D0391242	INNER COVER:RIGHT	U003	17
D0391246	INNER COVER:DC BRUSHLESS MOTOR:INTERMEDIATE TRANSFER	U003	18
D0391247	GROUND PLATE:DC BRUSHLESS MOTOR:INTERMEDIATE TRANSFER	U003	19
D0391251	COVER:FRONT	U003	20
D0391253	BAND:COVER:FRONT	U003	21
D0391254	SPRING PLATE:BAND	U003	22
D0391256	CLEANER:SHIELD GLASS:ASS'Y	U003	23
D0391259	SHAFT:COVER:FRONT	U003	24
D0391260	COVER:UPPER	U003	25
D0391262	COVER:UPPER:EXIT	U003	26
D0391264	COVER:FRONT UPPER	U003	27
D0391271	COVER:RIGHT REAR	U003	28
D0391272	COVER:RIGHT UPPER	U003	29
D0391273	COVER:RIGHT LOWER	U003	30
D0391281	COVER:LEFT	U003	31
D0391283	COVER:LEFT UPPER REAR	U003	32
D0391284	COVER:LEFT:OPTION	U003	33
D0391285	COVER:MAIN SWITCH	U003	34
D0391291	COVER:REAR	U003	35
D0391293	COVER:REAR:HARNESS	U003	36
D0391305	PLATE:IMAGE FORMING MD:FRONT	U002	30
D0391306	PLATE:IMAGE FORMING MD:REAR	U002	31
D0391312	DUCT:FUSING:EXHAUST:LOWER	U002	32
D0391313	DUCT:FUSING:EXHAUST:UPPER	U002	33
D0391321	DUCT:DEVELOPMENT UNIT:FRONT	U002	34

Number	Part Name	Group	ID
D0391322	DUCT:DEVELOPMENT UNIT:REAR	U002	35
D0391350	SHEET:MISFEED REMOVAL	U003	37
D0391351	DECAL:COLORED DISPLAY:INNER COVER:BK	U003	38
D0391352	DECAL:COLORED DISPLAY:INNER COVER:C	U003	39
D0391353	DECAL:COLORED DISPLAY:INNER COVER:M	U003	40
D0391354	DECAL:COLORED DISPLAY:INNER COVER:Y	U003	41
D0391355	DECAL:TONER BOTTLE:LOCK	U003	42
D0391356	DECAL:CLEANING:POSITIONING DISPLAY	U002	36
D0391359	DECAL:CAUTION:ORIGINAL:ENGLISH	Accessories	13
D0391442	OPERATION SUB-UNIT:EU:ASS'Y	U016_S001	43
D0391482	PCB:LCDC:EU:ASS'Y	U016_S001	44
D0391700	INNER COVER:SCANNER:PEEN	U001	54
D0391703	GASKET:9X5.5X17	U001	55
D0391705	GROUND PLATE:HARNESS:SBU	U001	56
D0391715	DRIVE WERE	U001	57
D0391717	SHAFT:SCANNER:DRIVE	U001	58
D0391718	PULLEY:IDLER:LEFT FRONT:PEEN	U001	59
D0391720	PULLEY:IDLER:LEFT REAR:PEEN	U001	60
D0391733	XENON LAMP:DIA10:ASS'Y	U001	61
D0391742	CARRIAGE:NO.2:SUB-ASS'Y	U001_S003	62
D0391747	GUIDE:HIGH VOLTAGE SUPPLY CORD	U001	63
D0391748	GUIDE:HIGH VOLTAGE SUPPLY CORD:RAIL	U001	64
D0391751	HOLDER:EXPOSURE GLASS	U001	65
D0391770	GROUND PLATE:SENSOR:AKS	U001	66
D0391792	BRACKET:CONNECTOR:DOCUMENT FEEDER	U001	78
D0391801	LENS:HOLDER:ASS'Y	U001	67
D0391823	COVER:HEATER:SCANNER	U001	68
D0391855	IMAGE FORMING SECTION:SERVICE PARTS:ASS'Y	U007_S001	3

Exclusive Parts

Number	Part Name	Group	ID
D0391975	COVER:POLYGON SCANNER:ASS'Y	U007_S001	4
D0392040	PCU:ASS'Y	U008_S001	15
		U008_S002	15
		U008_S003	15
		U008_S004	15
D0392551	PAPER TRAY	U009_S001	216
		U009_S002	216
D0392552	JOINT:SHAFT:PAPER FEED ROLLER	U009_S001	60
		U009_S002	60
D0392561	GRIP:PAPER TRAY	U009_S001	209
		U009_S002	209
D0392562	HOLDER:GRIP:PAPER TRAY	U009_S001	210
		U009_S002	210
D0392566	TENSION SPRING:GRIP:RIGHT	U009_S001	211
		U009_S002	211
D0392567	TENSION SPRING:GRIP:LEFT	U009_S001	212
		U009_S002	212
D0392569	GROUND PLATE:FEED	U009_S001	61
		U009_S002	61
D0392571	BRACKET:PAPER END SENSOR:NO.1	U009	217
D0392572	BRACKET:PAPER END SENSOR:NO.2	U009	227
D0392583	SIDE FENCE:FRONT:ASS'Y	U009_S001_S002	62
		U009_S002_S002	62
D0392584	SIDE FENCE:REAR:ASS'Y	U009_S001_S003	63
		U009_S002_S003	63
D0392585	TRAY BOTTOM PLATE:ASS'Y	U009_S001_S004	64
		U009_S002_S004	64
D0392591	GUIDERAIL:RIGHT:NO.1:ASS'Y	U009	66
D0392592	GUIDERALE:LEFT:ASS'Y	U009	67
D0392595	GUIDERALE:RIGHT:NO.2:ASS'Y	U009	68
D0392611	REGISTRATION ROLLER:DRIVE	U009	69
D0392612	GEAR:REGISTRATION:33Z	U009	70
D0392621	REGISTRATION ROLLER:DRIVEN	U009	71
D0392622	GEAR:REGISTRATION:21Z	U009	72
D0392623	GEAR:REGISTRATION:24Z	U009	73

Number	Part Name	Group	ID
D0392641	BRACKET:CLEANER	U009	74
D0392642	SHEET:CLEANER:1ST	U009	75
D0392645	GUIDE PLATE:REGISTRATION:LEFT	U009	76
D0392651	GUIDE PLATE:REGISTRATION:RIGHT	U009	77
D0392652	SHEET:REGISTRATION:RIGHT	U009	78
D0392676	TENSION SPRING:REGISTRATION	U009	79
D0392711	LEVER:COMPRESSION SPRING:SEPARATION PAD	U009	80
D0392712	BRACKET:HOME POSITION SENSOR:PEEN	U009	221
D0392713	GUIDE PLATE:MANUAL FEED UNIT:LOWER	U009	81
D0392714	HOLDER:COMPRESSION SPRING:SEPARATION PAD	U009	82
D0392716	GUIDE PLATE:MANUAL FEED UNIT:UPPER	U009	83
D0392720	GEAR:CAM:RIGHT	U009	84
D0392722	GEAR:CAM:LEFT REAR	U009	85
D0392725	FEELER:MANUAL FEED	U009	86
D0392735	COVER:MANUAL FEED TABLE	U009	87
D0392737	FEELER:PAPER:TRAILING EDGE	U009	88
D0392738	COVER:PAPER:TRAILING EDGE	U009	89
D0392739	EXTENSION TRAY:MANUAL FEED	U009	90
D0392745	BASE:MANUAL FEED TABLE	U009	91
D0392748	SIDE FENCE:FRONT	U009	92
D0392749	SIDE FENCE:REAR	U009	93
D0392750	RACK:SIDE FENCE:FRONT	U009	94
D0392751	RACK:SIDE FENCE:REAR	U009	95
D0392752	DISC:SIDE FENCE	U009	96
D0392753	GEAR:SIDE FENCE	U009	97
D0392754	SPRING:SIDE FENCE	U009	98
D0392779	SPRING PLATE:EXTENSION TRAY	U009	99
D0392780	GEAR:ROLLER CLUTCH	U009	100
D0392781	GEAR:STEPPER MOTOR	U009	101
D0392786	SHAFT:DRIVE:MANUAL FEED UNIT	U009	102

Exclusive Parts

Number	Part Name	Group	ID
D0392788	PIN:SIDE FENCE	U009	103
D0392789	GEAR:CAM:RIGHT REAR	U009	104
D0392790	GEAR:FEELER:LEFT	U009	105
D0392791	GUIDE PLATE:VERTICAL TRANSPORT:F3:RIGHT	U009	106
D0392792	BAND:STOPPER	U009	107
D0392793	CAM:LEFT	U009	108
D0392794	LINK:MANUAL FEED TABLE:REAR	U009	109
D0392795	LINK:MANUAL FEED TABLE:FRONT	U009	110
D0392796	SHAFT:CAM:ASS'Y	U009_S004	111
D0392797	TORSION SPRING:PAPER END SENSOR	U009	112
D0392798	SPRING:BASE:2.5N	U009	113
D0392799	RETAINING RINGS-C:DIA4	U009	114
D0392801	GROUND PLATE:VERTICAL TRANSPORT	U009	115
D0392810	LEVER:RELEASE:PAPER TRAY	U009_S001	213
		U009_S002	213
D0392815	SPRING:BASE	U009_S001	116
		U009_S002	116
D0392825	SUPPORTING PLATE:PAPER TRAY	U009_S001	117
		U009_S002	117
D0392826	GROUND PLATE:SUPPORTING PLATE	U009_S001	118
		U009_S002	118
D0392828	DECAL:PAPER SET DIRECTION	U009_S001	119
D0392831	DECAL:MANUAL FEED:INKJET:EXP	U009	120
D0392832	DECAL:SIDE FENCE:MANUAL FEED	U009	121
D0392833	SHAFT:COIL SPRING	U009_S001	122
		U009_S002	122
D0392834	SPRING:TRAY:REAR	U009_S001	123
		U009_S002	123
D0392835	DECAL:PAPER SET DIRECTION	U009_S002	119
D0392906	ROLLER:VERTICAL TRANSPORT:DRIVE:F3	U009	124
D0392909	ROLLER:VERTICAL TRANSPORT:	U009	125

Number	Part Name	Group	ID
	DRIVE:F2		
D0392912	ROLLER:VERTICAL TRANSPORT:DRIVE:F1	U009	126
D0392916	GUIDE PLATE:VERTICAL TRANSPORT:F2	U009	127
D0392921	GUIDE PLATE:VERTICAL TRANSPORT:F1	U009	128
D0392923	BRACKET:PHOTOINTERRUPTOR:F2	U009	129
D0392927	GUIDE PLATE:VERTICAL TRANSPORT:SWIVEL	U009	130
D0392928	SHEET:VERTICAL TRANSPORT:SWIVEL	U009	131
D0392929	BRACKET:PHOTOINTERRUPTOR:F3	U009	132
D0392930	GUIDE PLATE:VERTICAL TRANSPORT:F3:LEFT	U009	133
D0392933	ROLLER:DRIVEN:F2	U009	134
D0392934	BUSHING:DIA4:VERTICAL TRANSPORT	U009	135
D0392935	ROLLER:DRIVEN:F3	U009	136
D0392936	COVER:VERTICAL TRANSPORT	U009	137
D0392937	SPRING:VERTICAL TRANSPORT	U009	138
D0392943	BRACKET:COVER:VERTICAL TRANSPORT:FRONT	U009	214
D0392944	BRACKET:COVER:VERTICAL TRANSPORT:REAR	U009	215
D0392951	BRACKET:HINGE:DUPLEX:FRONT:ASS'Y	U009	141
D0392954	BRACKET:HINGE:DUPLEX:REAR	U009	142
D0392971	ARM:PRESSURE RELEASE:FRONT	U009	143
D0392972	ARM:PRESSURE RELEASE:REAR	U009	144
D0392976	GUIDE PLATE:VERTICAL TRANSPORT:F1	U009	145
D0392977	GUIDE PLATE:DRIVEN:BELT	U009	146
D0392980	STAY:HINGE:DUPLEX:ASS'Y	U009	147
D0392983	HOLDER:DRIVEN:BELT	U009	148

Exclusive Parts

Number	Part Name	Group	ID
D0392991	SHAFT:TRANSPORT BELT:DRIVEN	U009	149
D0392993	SHAFT:TRANSPORT BELT:PULLEY	U009	150
D0392995	GRIP:COVER:RIGHT	U009	151
D0392996	HOOK:STOPPER:DUPLEX UNIT:FRONT	U009	152
D0392998	SHAFT:GRIP	U009	154
D0393317	DRIVE UNIT:TONER SUPPLY SUB-UNIT:ASS'Y	U010_S005	9
		U010_S006	9
		U010_S007	9
		U010_S008	9
D0393318	DC MOTOR:TONER SUPPLY SUB-UNIT:ASS'Y	U010_S005	10
		U010_S006	10
		U010_S007	10
		U010_S008	10
D0393350	GUIDE:TONER BOTTLE:9MM	U010_S001	11
		U010_S002	11
		U010_S003	11
		U010_S004	11
D0393367	SHEET:BRACKET:TONER SUPPLY	U010_S005	12
		U010_S006	12
		U010_S007	12
		U010_S008	12
D0393368	SCREW:M3X3.5	U010_S005	13
		U010_S006	13
		U010_S007	13
		U010_S008	13
D0394017	FUSING UNIT:EU:SUB-ASS'Y	U011_S001	64
D0394056	FUSING BELT:DIA50:ASS'Y	U011_S001	39
D0394121	HOUSING:THERMOSTAT:HEAT ROLLER	U011_S001	40
D0394171	STAY:UPPER	U011_S001	57
D0394177	LEVER:PRESSURE:FRONT:SUB-ASS'Y	U011_S001_S001	65
D0394183	STAY:PRESSURE:ASS'Y	U011_S001	43
		U011_S002	43
D0394188	LEVER:PRESSURE:REAR:SUB-ASS'Y	U011_S001_S002	66

Number	Part Name	Group	ID
D0394211	BRACKET:HEATER:FUSING:FRONT	U011_S001	44
D0394212	BRACKET:HEATER:FUSING:REAR	U011_S001	45
D0394221	BRACKET:HEATER:PRESSURE:FRONT	U011_S001	46
D0394222	BRACKET:HEATER:PRESSURE:REAR	U011_S001	47
D0394232	STRIPPER PLATE:COAT	U011_S001	48
D0394234	GUIDE PLATE:FUSING EXIT:ASS'Y	U011_S001_S003	49
D0394238	DECAL:FUSING:LEVER:C	U011_S001_S003	50
D0394241	FUSING ENTRANCE GUIDE PLATE	U011_S001	51
D0394262	FUSING COVER:UPPER:ASS'Y	U011_S001_S004	62
D0394268	SPACER:GUIDE PLATE:FUSING EXIT:ASS'Y	U011_S001_S004	58
D0394361	HOLDER:THERMOPILE	U011	53
D0394362	COVER:THERMOPILE	U011	54
D0394380	STAY:PRESSURE:OIL SUPPLY ROLLER:ASS'Y(Optional)	U011_S002	55
D0394402	PAPER EXIT UNIT:ASS'Y	U004_S001	19
D0394415	FEELER:PHOTO INTERRUPTOR:EXIT	U004_S001	44
D0394419	SHEET:EXIT:UNIFORM	U004_S001	20
D0394425	COMPRESSION SPRING:EXIT ROLLER:DRIVEN	U004_S001	37
D0394431	EXIT ROLLER	U004_S001	38
D0394467	STEPPER MOTOR:REVERSE	U004_S001	21
		U009	155
D0394468	GEAR:IDLER:REVERSE	U004_S001	22
D0394469	GEAR:IDLER:REVERSE:CONNECTING	U004_S001	23
D0394471	GEAR:IDLER:INPUT:ROLLER CLUTCH	U004_S001	24
D0394472	GEAR:IDLER:ROLLER CLUTCH:CONNECTING	U004_S001	25
D0394484	TENSION SPRING:DC SOLENOID:PAPER EXIT UNIT	U004_S001	26
D0394488	DC SOLENOID:PAPER EXIT UNIT:SUB-ASS'Y	U004_S001	27

Exclusive Parts

Number	Part Name	Group	ID
D0394511	GUIDE PLATE:FEED PAPER AGAIN:DUPLEX	U009	156
D0394523	TENSION SPRING:LEVER:DUPLEX	U009	157
D0394525	COMPRESSION SPRING:SHAFT:GUIDE PLATE:EXIT	U009	158
D0394527	COMPRESSION SPRING:EXIT ROLLER:DRIVEN	U009	159
D0394529	STOPPER:GUIDE PLATE:ROLLER:DRIVEN	U009	161
D0394530	TRANSPORT ROLLER:DUPLEX:ENTRANCE	U009	162
D0394531	TRANSPORT ROLLER:DUPLEX:ENTRANCE:LOWER	U009	163
D0394532	TRANSPORT ROLLER:DUPLEX:EXIT:UPPER	U009	164
D0394533	TRANSPORT ROLLER:DUPLEX:EXIT	U009	165
D0394538	COMPRESSION SPRING:FLAT CONVEYER BELT:DRIVEN	U009	218
D0394539	GUIDE PLATE:GUIDE PLATE:ROLLER:DRIVEN	U009	166
D0394540	LINK:DUPLEX UNIT:FRONT	U009	167
D0394541	GUIDE PLATE:ROLLER:DRIVEN	U009	168
D0394542	DRIVEN ROLLER:ENTRANCE:DUPLEX	U009	169
D0394543	DECAL:GRIP:Z	U009	170
D0394544	COVER:SENSOR:DUPLEX:LOWER	U009	171
D0394547	BRACKET:LEVER:DUPLEX:FRONT:ASS'Y	U009	172
D0394553	COVER:CONNECTOR:DUPLEX UNIT	U009	173
D0394564	GEAR:IDLER:DUPLEX	U009	174
D0394565	LINK:DUPLEX:ASS'Y	U009	175
D0394569	GEAR:DRIVE:DUPLEX	U009	176
D0394570	GUIDE PLATE:DUPLEX:ENTRANCE	U009	177
D0394578	FEELER:DUPLEX:ENTRANCE SENSOR	U009	178

Number	Part Name	Group	ID
D0394580	COVER:RIGHT	U009	179
D0394581	INNER COVER:GRIP:DUPLEX UNIT	U009	207
D0394583	GATE PAWL:DUPLEX:ENTRANCE:ASS'Y	U009	180
D0394584	LEVER:GATE PAWL	U009	181
D0394586	COVER:GRIP:DUPLEX UNIT	Accessories U009	14 208
D0394587	SPRING:GATE PAWL:ENTRANCE:DUPLEX	U009	183
D0394589	TORSION SPRING:GATE PAWL:REVERSE	U009	185
D0394591	SHAFT:PRESSURE:GUIDE PLATE:EXIT	U009	186
D0394592	TIMING BELT:S2M:256	U009	187
D0394594	TIMING BELT:S2M:276	U009	188
D0394596	TORSION SPRING:LINK:DUPLEX	U009	189
D0394597	TENSION SPRING:DRIVEN ROLLER	U009	190
D0394905	TRAY:REVERSE	U004	28
D0394907	INNER COVER:PAPER EXIT UNIT:REAR	RU004	43
D0394942	TRANSPORT ROLLER:REVERSE:CONNECTING	U004_S001	39
D0394947	REVERSE ROLLER	U004_S001	40
D0394952	BRACKET:SENSOR:FUSING EXIT	U004_S001_S001	29
D0394955	BRACKET:SENSOR:FUSING EXIT:ASS'Y	U004_S001_S001	30
D0394972	LEVER:GATE PAWL:REAR	U004_S001	31
D0394973	LEVER:GATE PAWL:FRONT	U004_S001	32
D0394974	TORSION SPRING:LEVER:GATE PAWL	U004_S001	33
D0394975	GATE PAWL:EXIT:ASS'Y	U004_S001	34
D0394985	GUIDE PLATE:EXIT:DUPLEX:ADHESION	U009	219
D0395122	PCB:DRB	U005	40
D0395178	PCB:RFID-RW	U010	14
D0395401	STABILIZER	U001	69
D0395712	PCB:DDR1DIMM32B:HALF:256MB:	U015	5

Exclusive Parts

Number	Part Name	Group	ID
	ASS'Y		
D0395827	FRAME:RACK:LEFT:PEEN	U015	14
D0395828	COVER:FAX CONTROL UNIT	U005	59
D0395831	BRACKET:HDD	U015	6
D0395836	BASE:SAFETY SWITCH:PEEN	U005	41
D0395842	LEVER:SAFETY SWITCH:MIDDLE	U005	42
D0395843	LEVER:SAFETY SWITCH:MIDDLE: SMALL	U005	43
D0395844	LEVER:SAFETY SWITCH:FRONT	U005	44
D0395845	LEVER:SAFETY SWITCH:RIGHT	U005	45
D0395846	SPRING:SAFETY SWITCH:FRONT	U005	46
D0395855	COVER:HARNESS:MAIN SWITCH	U005	47
D0395856	COVER:TRAY:LEFT LOWER	U005	48
D0395857	COVER:HARNESS:REAR MIDDLE	U005	49
D0395858	CASE:HARNESS:FUSING	U005	50
D0395859	COVER:BASE:POSITIONING PIN	U005	51
D0395862	COVER:TRAY:LEFT UPPER	U005	52
D0395863	COVER:HARNESS:SCANNER:PEE N	U005	53
D0395899	HOLDER:TEMPERATURE & HUMID ITY SENSOR	U005	54
D0396013	ROLLER:ENCODER:ASS'Y	U012_S001	32
D0396029	TRANSFER BELT:ASS'Y	U012_S001	33
D0396048	DRIVE UNIT:ON-OFF:TRANSFER R OLLER:ASS'Y	U012_S003	35
D0396064	ROLLER:TENSION:PRESS FIT	U012_S001	36
D0396108	OPTICS SENSOR:ENCODER	U012_S001	37
D0396113	BRACKET:ROLLER:BELT:FACE FR ONT	U012_S001	54
D0396119	BRACKET:INTERMEDIATE TRANS FER:DRIVE:ASS'Y	U012	38
D0396122	GEAR:INTERMEDIATE TRANSFER: NO.1	U012	39
D0396132	ROLLER:FLAT BELT-TRANSFER:F ACE FRONT:ASS'Y	U012_S001	55
D0396134	DC MOTOR:ON-OFF:ASS'Y	U012_S003	40
D0396204	TRANSFER/SEPARATION UNIT:SE COND:ASS'Y	U013_S001	52

Number	Part Name	Group	ID
D0396210	TRANSFER/SEPARATION UNIT:SE COND:ASS'Y	U013_S001	14
D0396223	LEVER:PRESSURE:TRANSFER RO LLER:FRONT	U013_S001	16
D0396224	LEVER:PRESSURE:TRANSFER RO LLER:REAR	U013_S001	17
D0396225	COMPRESSION SPRING:PRESSU RE:TRANSFER ROLLER:18N	U013_S001	18
D0396226	TERMINAL:EARTH:TRANSFER RO LLER	U013_S001	19
D0396227	LEVER:TRANSFER/SEPARATION UNIT:FRONT	U013_S001	20
D0396228	LEVER:TRANSFER/SEPARATION UNIT:REAR	U013_S001	21
D0396229	LEVER:SET:FRONT	U013_S001	22
D0396230	LEVER:SET:REAR	U013_S001	23
D0396231	TENSION SPRING:LEVER:SET	U013_S001	24
D0396232	TORSION SPRING:LEVER:SET:FR ONT	U013_S001	25
D0396233	TORSION SPRING:LEVER:SET:RE AR	U013_S001	26
D0396235	TERMINAL:EARTH	U013_S001	27
D0396236	SHAFT:RELEASE	U013_S001	28
D0396239	GRIP:RELEASE	U013_S001	31
D0396241	GUIDE PLATE:TRANSFER UNIT	U013_S001	15
D0396242	LEVER:RELEASE:TRANSFER/SEP ARATION UNIT:FRONT	U013_S001	29
D0396243	LEVER:RELEASE:TRANSFER/SEP ARATION UNIT:REAR	U013_S001	30
D0396251	BASE:TRANSFER/SEPARATION U NIT:SECOND:PEEN	U013_S001	32
D0396258	SHAFT:ON-OFF:DIA8	U013_S001	33
D0396259	LINK:GUIDE PLATE:TRANSFER	U013_S001	34
D0396260	BRACKET:ENTRANCE SENSOR	U013_S001	53
D0396261	BUSHING:POSITIONING:TRANSFE R/SEPARATION UNIT	U013	35
D0396262	COMPRESSION SPRING:TRANSP ORT SUB-UNIT	U013_S001	36

Exclusive Parts

Number	Part Name	Group	ID
D0396268	LEVER:ON-OFF:TRANSFER ROLLER:FRONT	U013_S001	37
D0396269	LEVER:ON-OFF:TRANSFER ROLLER:REAR	U013_S001	38
D0396270	BRACKET:FUSING:ENTRANCE SENSOR	U013_S001	54
D0396271	DECAL:GRIP:B	U013_S001	39
D0396272	COVER:CONNECTOR:ENTRANCE SENSOR	U013	40
D0396273	STOPPER:LEVER:FRONT	U013	41
D0396274	STOPPER:LEVER:REAR	U013	42
D0396298	BRACKET:STOPPER:TRANSFER UNIT:PEEN	U013	43
D0396305	HOLDER:USED TONER SENSOR:BELT CLEANING	U012	41
D0396306	FEELER:TONER COLLECTION COIL	U012	42
D0396307	STOPPER:BELT CLEANING	U002	37
D0396315	BUSHING:GEAR:ON-OFF	U012_S003	43
		U013_S002	44
D0396321	DENSITY SENSOR	U012	44
D0396323	BRACKET:SENSOR:TM	U012	45
D0396324	GUIDE PLATE:TRANSFER:ENTRANCE	U012	46
D0396325	BUSHING:DENSITY SENSOR:FRONT	U012	47
D0396326	BUSHING:DENSITY SENSOR:REAR	U012	48
D0396327	SPACER:SENSOR:TM	U012	49
D0396330	GROUND PLATE:BIAS:BK	U012	50
D0396334	HOLDER:KNOB:ON-OFF:BK	U012	51
D0396337	SHUTTER:ON-OFF:BK	U012	52
D0396338	KNOB:ON-OFF:INTERMEDIATE TRANSFER:BK	U012	53
D0396340	DRIVE UNIT:ON-OFF:TRANSFER ROLLER:SECOND:ASS'Y	U013_S002	56
D0396341	DC MOTOR:ON-OFF:TRANSFER ROLLER:SECOND:ASS'Y	U013_S002	45

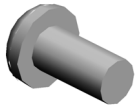
Number	Part Name	Group	ID
D0396346	GEAR:ON-OFF:IDLER:1	U013_S002	47
D0396347	GEAR:ON-OFF:IDLER:2	U013_S002	48
D0396348	GEAR:ON-OFF	U013_S002	49
D0396349	CAM:ON-OFF	U013_S002	50
D0396350	BRACKET:ON-OFF	U013	51
D0396405	COLLECTION BOTTLE:EXP:ASS'Y	U014	14
D0396583	BRACKET:DRIVE:COLLECTION BOTTLE	U014	10
D0396584	DC MOTOR:ASS'Y	U014	11
D0396597	HINGE:COLLECTION BOTTLE	U014	12
D0411233	COVER:SCANNER:LEFT:EU	U003	43
D0411234	COVER:SCANNER:REAR:EU	U003	47
D0411261	COVER:UPPER:INNER BACK:EU	U003	44
D0411282	COVER:LEFT MIDDLE:EU	U003	45
D0411292	COVER:REAR LOWER:EU	U003	46
D0412528	HEAT SINK:HEATER:EU:ADHESION	U002	38
D0412557	COVER:PAPER TRAY:NO.1:EU	U009_S001	197
D0412558	COVER:PAPER TRAY:NO.2:EU	U009_S002	226
D0415355	POWER SUPPLY CORD:STOPPER:EU:ASS'Y	U005	55
D0415742	PCB:DI-C1A-EXP:SERVICE:ASS'Y	U015	7
D0415752	PCB:DI-C1C-EXP:SERVICE:ASS'Y	U015	8
D0415897	COVER:SWITCH:HEATER	U005	56
D0415899	COVER:CONNECTOR:HEATER	U005	57
D0416601	SHEET:EMBLEM:D041:RIC:EXP	Accessories	15
D0416605	SHEET:EMBLEM:D041:NSA	Accessories	16
D0416606	SHEET:EMBLEM:D041:REX	Accessories	17
D0416608	SHEET:EMBLEM:D041:INF	Accessories	18
D0416609	SHEET:EMBLEM:D041:GES:EU	Accessories	19
D0417921	SHEET:NOTES_POWER:GB	Accessories	20
D0419591	NV-RAM-512-1	U015	10
D0419592	NV-RAM-512-2	U015	11
D0419593	NVRAM-SET(2PCS/SET)	U015	9
D0835102	PCB:BCU:ASS'Y	U005	39
D1051164	ROLLER CLUTCH:FEED	U006	38
D1051166	ROLLER CLUTCH:GRIP	U006	39
D1052719	COIL SPRING:EARTH:TRAY BOTTLE	U009_S001	205

Exclusive Parts

Number	Part Name	Group	ID
	OM PLATE	U009_S002	205
D1052722	FRICION PAD:SERVICE PARTS:ASS'Y	U009_S001	228
		U009_S002	228
D1052997	HOOK:STOPPER:DUPLEX UNIT:REAR	U009	153
D1054588	GATE PAWL:REVERSE:ASS'Y	U009	184
D1056003	TRANSFER UNIT:INTERMEDIATE TRANSFER:SERVICE:ASS'Y	U012_S001	31
D1056036	CLEANING UNIT:INTERMEDIATE TRANSFER:SERVICE:ASS'Y	U012_S002	34
D1062521	PAPER TRAY:NO.1:EU:ASS'Y	U009_S001	229
D1062522	PAPER TRAY:NO.2:EU:ASS'Y	U009_S002	230
D1124264	DECAL:WARNING (HIGH TEMPERATURE):FUSING	U011_S001_S004	52
D8092010	PCU:BK:SERVICE	U008_S001	3
D8092011	PCU:C:SERVICE	U008_S002	4
D8092012	PCU:M:SERVICE	U008_S003	5
D8092013	PCU:Y:SERVICE	U008_S004	6
D8093001	DEVELOPMENT UNIT:BK:SERVICE:ASS'Y	U008_S001_S001	7
D8093002	DEVELOPMENT UNIT:C:SERVICE:ASS'Y	U008_S002_S001	8
D8093003	DEVELOPMENT UNIT:M:SERVICE:ASS'Y	U008_S003_S001	9
D8093004	DEVELOPMENT UNIT:Y:SERVICE:ASS'Y	U008_S004_S001	10
D8093045	TONER SUPPLY UNIT:BK	U010_S001	15
D8093046	TONER SUPPLY UNIT:C	U010_S002	16
D8093047	TONER SUPPLY UNIT:M	U010_S003	17
D8093048	TONER SUPPLY UNIT:Y	U010_S004	18
G0043519	SCREW:SLIDER:SEPARATION	U011_S001	56
G0302670	FRICION PAD:PUR	U009_S003	198
G0601972	SHIELD:COVER:UPPER	U009_S001	199
		U009_S002	199
G0702710	LINK:PAPER SIZE SENSOR	U009_S001	200
		U009_S002	200
G0702711	STOPPER:BASE	U009_S001	201
		U009_S002	201

Number	Part Name	Group	ID
G0702713	SPRING PLATE:STOPPER	U009_S001_S002	202
		U009_S002_S002	202
G0702714	LEVER:STOPPER:FRONT	U009_S001_S002	203
		U009_S002_S002	203
G0702718	LEVER:STOPPER:REAR	U009_S001_S003	204
		U009_S002_S003	204
G4042810	SPRING PLATE - 2ND MIRROR	U001	70
G5701133	TIMING PULLEY 73	U001	71
G5701225	SENSOR SHIELDING PLATE	U001	72
G5702730	SLIDER - SCANNER	U001_S002	73
G5702833	PULLEY HOLDER	U001	74
G5702834	PULLEY - HIGH VOLTAGE SUPPLY CORD	U001	75
GA003030	DECAL:SHIELDING PLATE:DISPLAY:Y	U002	39
		U008_S004	11
GA003031	DECAL:SHIELDING PLATE:DISPLAY:Y:M	U002	40
		U008_S003	12
GA003032	DECAL:SHIELDING PLATE:DISPLAY:Y:C	U002	41
		U008_S002	13
GA003033	DECAL:SHIELDING PLATE:DISPLAY:Y:K	U002	42
		U008_S001	14
GW010007	PHOTO REFLECTION SENSOR:EXIT	U004_S001	35
GW020020	PHOTOINTERRUPTOR:LG248NL1	U004_S001	36
		U006_S002	45
		U006_S003	45
		U009	206
M0261815	CLAMP:MIRROR:NO.1	U001_S002	20
M3445130	HDD:60GB:MHY2060BH:FUJITSU	U015	12
N6114000	FAN:MM80	U005_S001	58
VSSM9000	Digital Multimeter-FLUKE189/FVF	Special Tools	7

Standard Parts



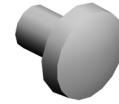
03130060N
SCREW - M3X6



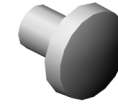
03130100N
PAN HEAD SCREW:M3X10



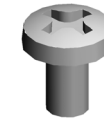
03140120N
SCREW - M4X12



03530030N
SCREW:M3X3



03530040N
SCREW - M3X4



03530050N
SCREW-M3X5



03530060N
BIND SCREW - M3X6



03530100N
SCREW-M3X10



03603006N
SCREW - M3X6



03603006P
SCREW - M3X6



03603008N
SCREW:M3X8



03603020N
SCREW:M3X20



03603030N
SCREW:M3X30



04503010N
TAPPING SCREW - M3X10



04503025N
TAPPING SCREW:3X25



04513006N
TAPPING SCREW - 3X6



04513008N
TAPPING SCREW - M3X8



04513020N
TAPPING SCREW:3X20



04513025N
TAPPING SCREW:M3X25



04513030N
TAPPING SCREW:3X30



04533006N
TAPPING SCREW - M3X6



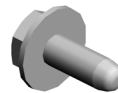
04543005Q
TAPPING SCREW::3X5



04543006N
TAPPING SCREW:ROUND P
OINT:3X6



04543006Q
TAPPING SCREW - M3X6



04543008Q
TAPPING SCREW:3X8



04563008N
TAPPING SCREW - M3X8

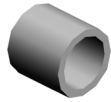


04563010N
TAPPING SCREW - M3X10



06220120E
SPRING PIN - 2X12MM

Standard Parts



07074050N
BUSHING - 4X5



07200030E
RETAINING RING - M3



07200040E
RETAINING RING - M4



07200060E
RETAINING RING - M6



07250100E
RETAINING RING C - M10



07250170E
RETAINING RING C - M17



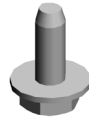
07250200E
RETAINING RING C - M20



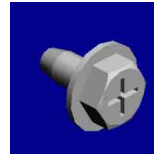
07403506
BALL BEARING - 6X12X4 MM



08025299
TAPPING SCREW - M3X8



08025305
TAPPING SCREW - M3X6



08046123
HEXAGONAL BOLT:W/WASH
ER:M3X8



08050088
RETAINING RING - M6



08050089
RETAINING RING - M4



08050092
RETAINING RING - 3M



08050097
RING SEPARATOR



09543006N
SCREW - M3X6



11024473
CT CONNECTOR - 2P



11024559
CONNECTOR - 3P



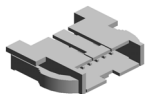
11026168
CONNECTOR - 3P



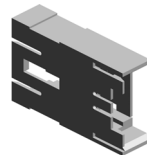
11026171
CONNECTOR - 6P



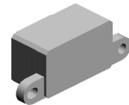
11026246
RELAY CONNECTOR - 3P



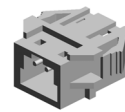
11026249
RELAY CONNECTOR - 6P



11026284
CONNECTOR - 3P



11028501
CONNECTOR:54679-1609



11028502
CONNECTOR - 54679-1615



11050032
CLAMP



11050409
CARD SPACER- 6.4MM



11050410
CARD SPACER - 9.4MM

Standard Parts



11050487
HARNESS CLAMP



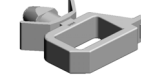
11050488
HARNESS CLAMP



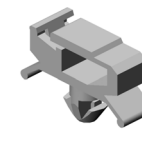
11050489
HARNESS CLAMP - LWS 131
6



11050490
HARNESS CLAMP - IWS-2218



11050508
HARNESS CLAMP - LWS-071
1



11050511
HARNESS CLAMP - LWS-030
6ZC



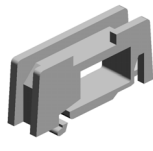
11050516
CLAMP



11050518
EDGE SADDLE - LES-1010



11050521
CLAMP - LES-1017



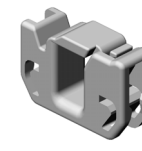
11050522
EDGE SADDLE - LES0510



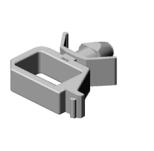
11050532
EDGE SADDLE - LES-25L



11050534
CLAMP



11050692
CLAMP:LES-0503



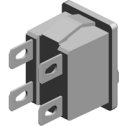
11050738
CLAMP:LBWS-0511S-V0



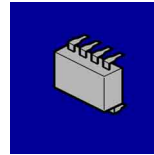
11060458
BUSHING - 9.9MM



12042521
MICRO SWITCH



12042608
ROCKER SWITCH:SDDJE339



14077036
EEPROM:AT24C128B-PU



16072053
FERRITE CORE:E04FG21081
0

PM Part List

Number	Part Name	Num	Group	ID
AA010122	FILTER:REAR	1	U003	7
AE010074	HOT ROLLER:DIA29	1	U011_S001	21
AF031084	PAPER FEED ROLLER MM36	2	U009_S001	27
			U009_S002	27
B1542722	FRICTION PAD:ASS'Y	2	U009_S001_S001	41
			U009_S002_S001	41
D0394056	FUSING BELT:DIA50:ASS'Y	1	U011_S001	39

Design Change List

Number	Title	Set	Old Part		New Part		Index No.		Q'ty	Interchg		Reason	Cut-in S/N
			P/N	Name	P/N	Name	Group	ID		Indiv.	Set		
201108-01	1108 Modification	-	D8092000	PCU:BK:SERVICE	D8092010	PCU:BK:SERVICE	U008_S001	3	1	X/O			D03867:
201108-02	1108 Modification	-	AW020174	PHOTOINTERRUPTOR:ACTUATOR	AW020205	PHOTOINTERRUPTOR:DUPLICATE	U009	31	1	O/O			D03867:
201108-03	1108 Modification	-	GW020020	PHOTOINTERRUPTOR:LG248NL1	AW020198	PHOTOINTERRUPTOR:LG2A14NL1	U009	206	1	O/O			D03867:
201108-04	1108 Modification	-	D8092001	PCU:C:SERVICE	D8092011	PCU:C:SERVICE	U008_S002	4	1	X/O			D03867:
201108-05	1108 Modification	-	D8092002	PCU:M:SERVICE	D8092012	PCU:M:SERVICE	U008_S003	5	1	X/O			D03867:
201108-06	1108 Modification	-	D8092003	PCU:Y:SERVICE	D8092013	PCU:Y:SERVICE	U008_S004	6	1	X/O			D03867:
201108-07	1108 Modification	-	D0392030	PCU:DIANA:ASSY	D0392040	PCU:ASSY	U008_S001	15	1	X/O			D03867:
			D0392030	PCU:DIANA:ASSY	D0392040	PCU:ASSY	U008_S002	15	1	X/O			
			D0392030	PCU:DIANA:ASSY	D0392040	PCU:ASSY	U008_S003	15	1	X/O			
			D0392030	PCU:DIANA:ASSY	D0392040	PCU:ASSY	U008_S004	15	1	X/O			
201108-08	1108 Modification	-	G0702719	GROUND PLATE:TRAY BOTTOM PLATE	D1052719	COIL SPRING:EARTRH:TRAY BOTTOM PLATE	U009_S002	205	1	O/O			D03867:
			G0702719	GROUND PLATE:TRAY BOTTOM PLATE	D1052719	COIL SPRING:EARTRH:TRAY BOTTOM PLATE	U009_S001	205	1	O/O			
201108-09	1108 Modification	-	D0396003	TRANSFER UNIT:INTERMEDIATE TRANSFER:SERVICE:ASSY	D1056003	TRANSFER UNIT:INTERMEDIATE TRANSFER:SERVICE:ASSY	U012_S001	31	1	O/O			D03867:
201108-10	1108 Modification	-	D0394588	GATE PAWL:REV	D1054588	GATE PAWL:REV	U009	184	1	O/O			D03867:

Design Change List

Number	Title	Set	Old Part		New Part		Index No.		Q'ty	Interchg		Reason	Cut-in S/N
			P/N	Name	P/N	Name	Group	ID		Indiv.	Set		
		-		ERSE:ASS'Y		ERSE:ASS'Y							
201108-11	1108 Modification	-	AX060375	POLYGON SCANNER	AX060397	POLYGON SCANNER	U007_S001	2	1	O/O			D03867:
201108-12	1108 Modification	-			D0392572	BRACKET:PAPE R END SENSOR: NO.2	U009	227	1				D03867:
201108-13	1108 Modification	-			D0391792	BRACKET:CONN ECTOR:DOCUME NT FEEDER	U001	78	1				D03867:
201108-15	1108 Modification	-	D0391164	ROLLER CLUTCH:FEED	D1051164	ROLLER CLUTCH:FEED	U006	38	2	O/O			D03867:
201108-17	1108 Modification	-	D0396036	CLEANING UNIT: INTERMEDIATE TRANSFER:SER VICE:ASS'Y	D1056036	CLEANING UNIT: INTERMEDIATE TRANSFER:SER VICE:ASS'Y	U012_S002	34	1	O/O			D03867:
201108-18	1108 Modification	-			D0394415	FEELER:PHOTOI NTERRUPTOR:EX IT	U004_S001	44	1				D03867:
201108-19	1108 Modification	-			D0394907	INNER COVER:PA PER EXIT UNIT: REAR	U004	43	1				D03867:
201108-20	1108 Modification	-	D0392997	HOOK:STOPPER :DUPLX UNIT:R EAR	D1052997	HOOK:STOPPER :DUPLX UNIT:R EAR	U009	153	1	X/O			D03867:
201108-21	1108 Modification	-	D0391166	ROLLER CLUTCH:GRIP	D1051166	ROLLER CLUTCH:GRIP	U006	39	4	O/O			D03867:
201108-22	1108 Modification	-			D1052722	FRICTION PAD:SER VICE PARTS: ASS'Y	U009_S002	228	1				D03867:
					D1052722	FRICTION PAD:SER	U009_S001	228	1				

Design Change List

Number	Title	Set	Old Part		New Part		Index No.		Q'ty	Interchg		Reason	Cut-in S/N
			P/N	Name	P/N	Name	Group	ID		Indiv.	Set		
		-				ERVICE PARTS: ASS'Y							
201108-23	1108 Modification	-	D0412522	PAPER TRAY:NO .2:EU:ASS'Y	D1062522	PAPER TRAY:NO .2:EU:ASS'Y	U009_S002	230	1	O/O			D03867:
201108-25	1108 Modification	-	D0412521	PAPER TRAY:NO .1:EU:ASS'Y	D1062521	PAPER TRAY:NO .1:EU:ASS'Y	U009_S001	229	1	O/O			D03867:
201108-33	1108 Modification	-	D0419590	NVRAM-KIT	D0419593	NVRAM-SET(2PC S/SET)	U015	9	1	O/O			D03867:
			D0419590	NVRAM-KIT	D0419593	NVRAM-SET(2PC S/SET)	U015	9	1	O/O			
201005-01	1005 Modification	-	11050516	CLAMP	11050738	CLAMP:LBWS-05 11S-V0	U006	11	1	O/O			D03867:
			11050516	CLAMP	11050738	CLAMP:LBWS-05 11S-V0	U006	11	1	O/O			
201005-02	1005 Modification	-			D0396260	BRACKET:ENTR ANCE SENSOR	U013_S001	53	1				D03867:
201005-03	1005 Modification	-			D0417921	SHEET:NOTES_ POWER:GB	Accessories	20	1				D03867:
201005-09	1005 Modification	-	D0392586	GRIP:PAPER TR AY:ASS'Y			U009_S001	65	1				D03867:
							U009_S002	65	1				
201005-10	1005 Modification	-	D0391412	OPERATION SUB -UNIT:EU:ASS'Y	D0391442	OPERATION SUB -UNIT:EU:ASS'Y	U016_S001	43	1	X/O			D03867:
201005-12	1005 Modification	-	D0391462	PCB:DIAC1:LCD C:EU:ASS'Y	D0391482	PCB:LCDC:EU:A SS'Y	U016_S001	44	1	X/O			D03867:
201005-13	1005 Modification	-			D0412558	COVER:PAPER T RAY:NO.2:EU	U009_S002	226	1				D03867:
201005-18	1005 Modification	-	D0396401	COLLECTION BO TTLE:EXP:ASS'Y	D0396405	COLLECTION BO TTLE:EXP:ASS'Y	U014	14	1	X/O			D03867:
201006-03	1006 Modification	-			11050518	EDGE SADDLE - LES-1010	U002	14	1				D03867:

Design Change List

Number	Title	Set	Old Part		New Part		Index No.		Q'ty	Interchg		Reason	Cut-in S/N
			P/N	Name	P/N	Name	Group	ID		Indiv.	Set		
201007-01	1007 Modification	A			D0394177	LEVER:PRESSURE:FRONT:SUB-ASS'Y	U011_S001_S001	65	1	X/O	X/O		D03867:
			07200030E	RETAINING RING - M3			U011_S001_S001	3	1				
			D0394153	LEVER:PRESSURE RELEASE:FRONT:ASS'Y			U011_S001_S001	41	1				
			D0394169	LEVER:LOCK:PRESSURE			U011_S001_S001	61	1				
201007-02	1007 Modification	A			D0394188	LEVER:PRESSURE:REAR:SUB-ASS'Y	U011_S001_S002	66	1	X/O	X/O		D03867:
			07200030E	RETAINING RING - M3			U011_S001_S002	3	1				
			D0394164	LEVER:PRESSURE RELEASE:REAR:ASS'Y			U011_S001_S002	42	1				
			D0394169	LEVER:LOCK:PRESSURE			U011_S001_S002	61	1				
201007-03	1007 Modification	-			D0396113	BRACKET:ROLLER:BELT:FACE FRONT	U012_S001	54	1				D03867:
201007-04	1007 Modification	-			D0396115	HARNESS:INTERMEDIATE TRANSFER:BIAS:TRANSFER/SEPARATION							D03867:
201007-05	1007 Modification	-			D0396132	ROLLER:FLAT BELT-TRANSFER:	U012_S001	55	1				D03867:

Design Change List

Number	Title	Set	Old Part		New Part		Index No.		Q'ty	Interchg		Reason	Cut-in S/N
			P/N	Name	P/N	Name	Group	ID		Indiv.	Set		
		-				FACE FRONT:ASSY							
201007-7	1007 Modification	-			D0395827	FRAME:RACK:LEFT:PEEN	U015	14	1				D03867:
201007-8	1007 Modification	-	D0415740	PCB:D038-EXP:SERVICE:ASSY	D0415742	PCB:DI-C1A-EXP:SERVICE:ASSY	U015	7	1	O/O			D03867:
201008-01	1008 Modification	-	D0396343	BRACKET:ON-OFF:ASSY			U013_S002	46	1	X/O			D03867:
					D0396340	DRIVE UNIT:ON-OFF:TRANSFER ROLLER:SECOND:ASSY	U013_S002	56	1	X/O			
201008-03	1008 Modification	-	D0395102	PCB:BCU:ASSY	D0835102	PCB:BCU:ASSY	U005	39	1	O/O			D03867:
201009-01	1009 Modification	-			D0392712	BRACKET:HOME POSITION SENSOR:PEEN	U009	221	1				D03867:
201009-02	1009 Modification	-	D0392828	DECAL:PAPER SET DIRECTION	D0392835	DECAL:PAPER SET DIRECTION	U009_S002	119	1	X/O			D03867:
201009-03	1009 Modification	-	D0394401	PAPER EXIT UNIT:ASSY	D0394402	PAPER EXIT UNIT:ASSY	U004_S001	19	1	O/O			D03867:
201009-04	1009 Modification	-			D0394431	EXIT ROLLER	U004_S001	38	1				D03867:
201009-05	1009 Modification	-			D0394947	REVERSE ROLLER	U004_S001	40	1				D03867:
201009-07	1009 Modification	-	D0415750	PCB:D041-EXP:SERVICE:ASSY	D0415752	PCB:DI-C1C-EXP:SERVICE:ASSY	U015	8	1	O/O			D03867:
201010-02	1010 Modification	-	D0394022	FUSING UNIT:EU:SUB-ASSY	D0394017	FUSING UNIT:EU:SUB-ASSY	U011_S001	64	1	O/O			D03867:
201010-03	1010 Modification	-			D0394942	TRANSPORT ROLLER:REVERSE:CONNECTING	U004_S001	39	1				D03867:

Design Change List

Number	Title	Set	Old Part		New Part		Index No.		Q'ty	Interchg		Reason	Cut-in S/N
			P/N	Name	P/N	Name	Group	ID		Indiv.	Set		
201010-04	1010 Modification	-	D0396221	GUIDE PLATE:TRANSFER UNIT	D0396241	GUIDE PLATE:TRANSFER UNIT	U013_S001	15	1	X/O			D03867:
201010-06	1010 Modification	-	D0394264	DECAL:WARNING (HIGH TEMPERATURE):FUSING	D1124264	DECAL:WARNING (HIGH TEMPERATURE):FUSING	U011_S001_S004	52	1	X/O			D03867:
201010-07	1010 Modification	-	D0091466	PCB:ALC1:OP-R:SUB-ASS'Y	D0091470	PCB:OP-R	U016_S001	30	1	O/O			D03867:
201011-02	1011 Modification	-	D0396237	LEVER:RELEASE:TRANSFER/SEPARATION UNIT:FRONT	D0396242	LEVER:RELEASE:TRANSFER/SEPARATION UNIT:FRONT	U013_S001	29	1	X/O			D03867:
201011-06	1011 Modification	-	A1931767	1ST MIRROR HOLDER	M0261815	CLAMP:MIRROR:NO.1	U001_S002	20	2	O/O			D03867:
201012-01	1012 Modification	-			08046123	HEXAGONAL BOLT:W/WASHER:M3X8	U002	44	1				D03867:
					08046123	HEXAGONAL BOLT:W/WASHER:M3X8	U002	44	1				
					08046123	HEXAGONAL BOLT:W/WASHER:M3X8	U002	44	1				
					08046123	HEXAGONAL BOLT:W/WASHER:M3X8	U002	44	1				
					08046123	HEXAGONAL BOLT:W/WASHER:M3X8	U002	44	1				
					08046123	HEXAGONAL BOLT:W/WASHER:M3X8	U002	44	1				

Design Change List

Number	Title	Set	Old Part		New Part		Index No.		Q'ty	Interchg		Reason	Cut-in S/N
			P/N	Name	P/N	Name	Group	ID		Indiv.	Set		
		-				LT:W/WASHER:M 3X8							
					08046123	HEXAGONAL BO LT:W/WASHER:M 3X8	U002	44	1				
					08046123	HEXAGONAL BO LT:W/WASHER:M 3X8	U002	44	1				
					08046123	HEXAGONAL BO LT:W/WASHER:M 3X8	U002	44	1				
201012-02	1012 Modification	-	11050516	CLAMP	11050738	CLAMP:LBWS-05 11S-V0	U005	20	1	X/O			D03867:
			11050516	CLAMP	11050738	CLAMP:LBWS-05 11S-V0	U005	20	1	X/O			
201012-03	1012 Modification	-	D0392020	PCU:ASS'Y	D0392030	PCU:DIANA:ASS' Y	U008_S001	2	1	O/O			D03867:
			D0392020	PCU:ASS'Y	D0392030	PCU:DIANA:ASS' Y	U008_S002	2	1	O/O			
			D0392020	PCU:ASS'Y	D0392030	PCU:DIANA:ASS' Y	U008_S003	2	1	O/O			
			D0392020	PCU:ASS'Y	D0392030	PCU:DIANA:ASS' Y	U008_S004	2	1	O/O			
201012-04	1012 Modification	-	D0395244	HARNESS:MAIN: RIGHT	D0395243	HARNESS:MAIN: RIGHT				X/O			D03867:
201012-05	1012 Modification	-	D0396238	LEVER:RELEASE :TRANSFER/SEP ARATION UNIT:R EAR	D0396243	LEVER:RELEASE :TRANSFER/SEP ARATION UNIT:R EAR	U013_S001	30	1	X/O			D03867:
201101-01	1101 Modification	-	11050516	CLAMP	11050738	CLAMP:LBWS-05	U001	14	1	X/O			D03867:

Design Change List

Number	Title	Set	Old Part		New Part		Index No.		Q'ty	Interchg		Reason	Cut-in S/N
			P/N	Name	P/N	Name	Group	ID		Indiv.	Set		
		-				11S-V0							
201101-02	1101 Modification	-	AA010121	FILTER:IMAGE FORMING MD	AA012133	FILTER:IMAGE FORMING MD	U003	6	2	O/O			D03867:
201101-03	1101 Modification	-	AW020191	PHOTOINTERRUPTOR:VERTICAL TRANSPORT	AW020201	PHOTOINTERRUPTOR:VERTICAL TRANSPORT	U009	32	1	X/O			D03867:
201101-05	1101 Modification	-	D0396201	TRANSFER/SEPARATION UNIT:SECOND:ASS'Y	D0396204	TRANSFER/SEPARATION UNIT:SECOND:ASS'Y	U013_S001	52	1	X/O		D0396201"D0396202"D0396204	D03867:
201101-06	1101 Modification	-			D0396270	BRACKET:FUSING:ENTRANCE SENSOR	U013_S001	54	1				D03867:
201002	1002 Modification	-			D0392571	BRACKET:PAPER END SENSOR: NO.1	U009	217	1				D03867:
			D0394528	COMPRESSION SPRING:FLAT CONVEYER BELT: DRIVEN	D0394538	COMPRESSION SPRING:FLAT CONVEYER BELT: DRIVEN	U009	218	1	X/O			
			D0394528	COMPRESSION SPRING:FLAT CONVEYER BELT: DRIVEN	D0394538	COMPRESSION SPRING:FLAT CONVEYER BELT: DRIVEN	U009	218	1	X/O			
					D0394169	LEVER:LOCK:PRESSURE	U011_S001	61	1				
							U011_S001	61	1				
					D0392551	PAPER TRAY	U009_S001	216	1				
							U009_S002	216	1				
					D0394262	FUSING COVER:	U011_S001	62	1	X/O			

Design Change List

Number	Title	Set	Old Part		New Part		Index No.		Q'ty	Interchg		Reason	Cut-in S/N
			P/N	Name	P/N	Name	Group	ID		Indiv.	Set		
		-				UPPER:ASS'Y	_S004						
					D0394985	GUIDE PLATE:EX IT:DUPLEX:ADHE SION	U009	219	1				
			D0394585	GUIDE PLATE:EX IT:DUPLEX			U009	182	1				
			D0394981	SHEET:EXIT:PTF E:4			U009	191	6				
			D0394982	SHEET:EXIT:PTF E:10			U009	192	2				
			D0394983	SHEET:EXIT:PTF E:17			U009	193	2				
			D0394984	SHEET:EXIT:PTF E:MIDDLE			U009	194	1				
			D0394263	FUSING COVER: UPPER			U011_S001 _S004	59	1	X/O			
			D0394012	FUSING UNIT:EU :SUB-ASS'Y	D0394022	FUSING UNIT:EU :SUB-ASS'Y	U011	63	1	X/O			
			D0395200	INTERFACE CAB LE:SCANNER:LV DS	D0395205	INTERFACE CAB LE:SCANNER:LV DS:PEEN				X/O			
200908	0908 Modification	-	D0392938	BRACKET:COVE R:VERTICAL TRA NSPORT:FRONT	D0392943	BRACKET:COVE R:VERTICAL TRA NSPORT:FRONT	U009	214	1	X/O			D03867:
			D0392939	BRACKET:COVE R:VERTICAL TRA NSPORT:REAR	D0392944	BRACKET:COVE R:VERTICAL TRA NSPORT:REAR	U009	215	1	X/O			
					D0394263	FUSING COVER: UPPER	U011_S001 _S004	59	1				
					D0391066	LEVER:LOCK:FR	U002	43	1				

Design Change List

Number	Title	Set	Old Part		New Part		Index No.		Q'ty	Interchg		Reason	Cut-in S/N
			P/N	Name	P/N	Name	Group	ID		Indiv.	Set		
		-				ONT							
					D0392561	GRIP:PAPER TRAY	U009_S001	209	1				
							U009_S002	209	1				
					D0392562	HOLDER:GRIP:PAPER TRAY	U009_S001	210	1				
							U009_S002	210	1				
					D0392566	TENSION SPRING:GRIP:RIGHT	U009_S001	211	1				
							U009_S002	211	1				
					D0392567	TENSION SPRING:GRIP:LEFT	U009_S001	212	1				
							U009_S002	212	1				
					D0392810	LEVER:RELEASE:PAPER TRAY	U009_S001	213	1				
							U009_S002	213	1				
					D0396201	TRANSFER/SEPARATION UNIT:SECOND:ASS'Y	U013	52	1				
					D0391462	PCB:DIAC1:LCD C:EU:ASS'Y	U016_S001	42	1				
					D0411234	COVER:SCANNER:REAR:EU	U003	47	1				
			AX440292	HEATER:230V:660W/470W	AX440300	HEATER:230V:660W/470W	U011_S001	60	1	X/O			
200906	0906 Modification	-			D0394171	STAY:UPPER	U011_S001	57	1				D03867:
					D0394581	INNER COVER:GRIP:DUPLICATION UNIT	U009	207	1				
					D0394425	COMPRESSION SPRING:EXIT ROLLER:DRIVEN	U004_S001	37	2				
					D0395828	COVER:FAX CONTROL UNIT	U005	59	1				
					D0394586	COVER:GRIP:DUPLICATION UNIT	U009	208	1				

Design Change List

Number	Title	Set	Old Part		New Part		Index No.		Q'ty	Interchg		Reason	Cut-in S/N
			P/N	Name	P/N	Name	Group	ID		Indiv.	Set		
		-				PLEX UNIT							
					D0394268	SPACER:GUIDE PLATE:FUSING E XIT:ASS'Y	U011_S001 _S004	58	1				
200904	0904 Modification	-			D0392552	JOINT:SHAFT:PA PER FEED ROLL ER	U009_S001 _S002	60	1				D03867:
					D0392569	GROUND PLATE: FEED	U009_S001 _S002	61	1				
					D0392583	SIDE FENCE:FR ONT:ASS'Y	U009_S001 _S002	62	1				
							U009_S002 _S002	62	1				
					D0392584	SIDE FENCE:RE AR:ASS'Y	U009_S001 _S003	63	1				
							U009_S002 _S003	63	1				
					D0392585	TRAY BOTTOM P LATE:ASS'Y	U009_S001 _S004	64	1				
							U009_S002 _S004	64	1				
					D0392586	GRIP:PAPER TR AY:ASS'Y	U009_S001 _S002	65	1				
							U009_S002 _S002	65	1				
					D0392815	SPRING:BASE	U009_S001 _S002	116	1				
							U009_S002 _S002	116	1				
					D0392825	SUPPORTING PL ATE:PAPER TRA Y	U009_S001 _S002	117	1				
							U009_S002 _S002	117	1				
					D0392826	GROUND PLATE: SUPPORTING PL	U009_S001 _S002	118	1				
							U009_S002 _S002	118	1				

Design Change List

Number	Title	Set	Old Part		New Part		Index No.		Q'ty	Interchg		Reason	Cut-in S/N
			P/N	Name	P/N	Name	Group	ID		Indiv.	Set		
		-				ATE							
					D0392833	SHAFT:COIL SPRING	U009_S001	122	1				
							U009_S002	122	1				
					D0392834	SPRING:TRAY:REAR	U009_S001	123	1				
							U009_S002	123	1				
					D0394153	LEVER:PRESSURE RELEASE:FRONT:ASS'Y	U011_S001	41	1				
					D0394164	LEVER:PRESSURE RELEASE:REAR:ASS'Y	U011_S001	42	1				
					D0396334	HOLDER:KNOB:ON-OFF:BK	U012	51	1				
					D0396337	SHUTTER:ON-OFF:BK	U012	52	1				
					D0412557	COVER:PAPER TRAY:NO.1:EU	U009_S001	197	1				
090309	0903 Modification	-			D0394419	SHEET:EXIT:UNIFORM	U004_S001	20	1				D03867:
					AW010143	PHOTO REFLECTION SENSOR:PSR11TL1R-C	U004_S001	14	1				
					D0394952	BRACKET:SENSOR:FUSING EXIT	U004_S001	29	1				
					D0394955	BRACKET:SENSOR:FUSING EXIT:ASS'Y	U004_S001	30	1				
					D0392923	BRACKET:PHOTO INTERRUPTOR:F2	U009	129	1				

Design Change List

Number	Title	Set	Old Part		New Part		Index No.		Q'ty	Interchg		Reason	Cut-in S/N
			P/N	Name	P/N	Name	Group	ID		Indiv.	Set		
		-			D0392929	BRACKET:PHOTO INTERRUPTOR:F3	U009	132	1				
			03530030N	SCREW:M3X3	D0393368	SCREW:M3X3.5	U010_S005	13	2	X/O			
							U010_S006	13	2				
							U010_S007	13	2				
							U010_S008	13	2				
			D0391125	DRIVE UNIT:DRUM:DEVELOPMENT:ASS'Y	D0391188	DRIVE UNIT:DRUM:DEVELOPMENT:ASS'Y	U006_S001	44	1	X/O			
					D0391264	COVER:FRONT UPPER	U003	27	1				
			D0395202	HARNESS:SCANNER:BASE:H	D0395206	HARNESS:SCANNER:BASE:H P to P ; D4(2/2)					X/O		
			D0395251	HARNESS:AC:MAIN SWITCH	D0395352	HARNESS:AC:MAIN SWITCH P to P ; D1(1/2)					X/O		
			D0395253	HARNESS:FUSING:MAIN	D0395353	HARNESS:FUSING:MAIN P to P ; G2(2/2)					X/O		
			D0395258	HARNESS:AC:HEATER:BANK	D0395358	HARNESS:AC:HEATER:BANK P to P ; C1(1/2)					X/O		
			D0395260	HARNESS:POWER SUPPLY UNIT:DC POWER SUPPLY	D0395360	HARNESS:POWER SUPPLY UNIT:DC POWER SUPPLY P to P ; A2(1/2)					X/O		
			D0395272	HARNESS:HIGH	D0395372	HARNESS:HIGH					X/O		

Design Change List

Number	Title	Set	Old Part		New Part		Index No.		Q'ty	Interchg		Reason	Cut-in S/N
			P/N	Name	P/N	Name	Group	ID		Indiv.	Set		
				VOLTAGE LINE:TRANSFER		VOLTAGE LINE:TRANSFER P to P ; D6(2/2)							
			D0395282	HARNESS:PAPER FEED:NO.2:CONNECTING	D0395382	HARNESS:PAPER FEED:NO.2:CONNECTING P to P ; B2(2/2)					X/O		
			D0395288	HARNESS:DENSITY SENSOR:CONNECTING	D0395388	HARNESS:DENSITY SENSOR:CONNECTING P to P ; B1(2/2)					X/O		
			D0395310	HARNESS:BCU:TRANSPORT SECTION	D0395210	HARNESS:BCU:TRANSPORT SECTION P to P ; C3(2/2)					X/O		
			D0395312	HARNESS:BCU:MAIN:UPPER	D0395212	HARNESS:BCU:MAIN:UPPER P to P ; C8(2/2)					X/O		
			D0395322	HARNESS:TONE R SUPPLY UNIT: MOTOR	D0395222	HARNESS:TONE R SUPPLY UNIT: MOTOR P to P ; E,V(1/2)					X/O		
			D0395324	HARNESS:TONE R SUPPLY UNIT: TONER END SENSOR	D0395326	HARNESS:TONE R SUPPLY UNIT: TONER END SENSOR P to P ; B7(2/2)					X/O		
			D0395330	HARNESS:DRB:MAIN:LEFT REAR	D0395230	HARNESS:DRB:MAIN:LEFT REAR P to P ; D9(1/2)					X/O		

Design Change List

Number	Title	Set	Old Part		New Part		Index No.		Q'ty	Interchg		Reason	Cut-in S/N
			P/N	Name	P/N	Name	Group	ID		Indiv.	Set		
		-	D0395333	HARNESS:DRB:MAIN:RIGHT	D0395233	HARNESS:DRB:MAIN:RIGHT P to P ; D8(1/2)				X/O			
			D0395340	HARNESS:MAIN:LEFT	D0395240	HARNESS:MAIN:LEFT P to P ; F4(2/2)				X/O			
			D0395341	HARNESS:MAIN:REAR MIDDLE	D0395241	HARNESS:MAIN:REAR MIDDLE P to P ; F4(2/2)				X/O			
			D0395344	HARNESS:MAIN:RIGHT	D0395244	HARNESS:MAIN:RIGHT P to P ; B1(2/2)				X/O			
			D0396124	HARNESS:MOTOR:INTERMEDIATE TRANSFER	D0396136	HARNESS:MOTOR:INTERMEDIATE TRANSFER P to P ; B3(2/2)				X/O			
			D0405202	HARNESS:SCANNER:BASE:L	D0405206	HARNESS:SCANNER:BASE:L P to P ; D4(2/2)				X/O			
			D0405331	HARNESS:DRB:MAIN:LEFT REAR:C1L	D0405231	HARNESS:DRB:MAIN:LEFT REAR:C1L P to P ; D9(1/2)				X/O			
			D0415257	HARNESS:AC:HEATER:MAIN:EXP	D0415354	HARNESS:AC:HEATER:MAIN:EXP P to P ; A1(1/2)				X/O			
			D0415325	HARNESS:TONE R SUPPLY UNIT:RFID:EXP	D0415225	HARNESS:TONE R SUPPLY UNIT:RFID:EXP P to P ; B7(2/2)				X/O			

Design Change List

Number	Title	Set	Old Part		New Part		Index No.		Q'ty	Interchg		Reason	Cut-in S/N
			P/N	Name	P/N	Name	Group	ID		Indiv.	Set		
					D0395236	HARNESS:ICTL:S YNC DETECTOR P to P ; F10(1/2)							
			D0395318	HARNESS:BCU:D RIVE UNIT	D0395218	HARNESS:BCU:D RIVE UNIT P to P ; G6(2/2)					X/O		
			D0405319	HARNESS:BCU:D RIVE UNIT:C1L	D0405219	HARNESS:BCU:D RIVE UNIT:C1L P to P ; G6(2/2)					X/O		
					G0702711	STOPPER:BASE	U009_S001	201	1				
							U009_S002	201	1				
					N6114000	FAN:MM80	U005_S001	58	2				
					G0302670	FRICITION PAD:P UR	U009_S003	198	1				
					G0702714	LEVER:STOPPE R:FRONT	U009_S001 _S002	203	1				
							U009_S002 _S002	203	1				
					G0702719	GROUND PLATE: TRAY BOTTOM P LATE	U009_S001	205	1				
							U009_S002	205	1				
					G0702710	LINK:PAPER SIZ E SENSOR	U009_S001	200	1				
							U009_S002	200	1				
					GW020020	PHOTOINTERRU PTOR:LG248NL1	U004_S001	36	1				
							U006_S002	45	1				
							U006_S003	45	1				
							U009	206	4				
					G0702718	LEVER:STOPPE R:REAR	U009_S001 _S003	204	1				
							U009_S002	204	1				

Design Change List

Number	Title	Set	Old Part		New Part		Index No.		Q'ty	Interchg		Reason	Cut-in S/N
			P/N	Name	P/N	Name	Group	ID		Indiv.	Set		
		-					_S003						
					D0394981	SHEET:EXIT:PTF E:4	U009	191	1				
					D0394981	SHEET:EXIT:PTF E:4	U009	191	1				
					D0394981	SHEET:EXIT:PTF E:4	U009	191	1				
					D0394981	SHEET:EXIT:PTF E:4	U009	191	1				
					D0394981	SHEET:EXIT:PTF E:4	U009	191	1				
					D0394981	SHEET:EXIT:PTF E:4	U009	191	1				
					G0601972	SHIELD:COVER: UPPER	U009_S001	199	1				
							U009_S002	199	1				
					G0702713	SPRING PLATE:S TOPPER	U009_S001	202	1				
							U009_S002	202	1				
					G0043519	SCREW:SLIDER: SEPARATION	U011_S001	56	2				
					D0396274	STOPPER:LEVE R:REAR	U013	42	1				
090131	0901 Modification	-			D0392938	BRACKET:COVE R:VERTICAL TRA NSPORT:FRONT	U009	139	1				D03867:
					D0392939	BRACKET:COVE R:VERTICAL TRA NSPORT:REAR	U009	140	1				
					D0393350	GUIDE:TONER B	U010_S001	11	1				

Design Change List

Number	Title	Set	Old Part		New Part		Index No.		Q'ty	Interchg		Reason	Cut-in S/N
			P/N	Name	P/N	Name	Group	ID		Indiv.	Set		
		-				OTTLE:9MM							
					D0393350	GUIDE:TONER B OTTLE:9MM	U010_S002	11	1				
					D0393350	GUIDE:TONER B OTTLE:9MM	U010_S003	11	1				
					D0393350	GUIDE:TONER B OTTLE:9MM	U010_S004	11	1				
					D0394183	STAY:PRESSUR E:ASS'Y	U011_S001	43	1				
							U011_S002	43	1				
					D0394234	GUIDE PLATE:FU SING EXIT:ASS'Y	U011_S001 _S003	49	1				
			D0396336	KNOB:ON-OFF:IN TERMEDIATE TR ANSFER:BK	D0396338	KNOB:ON-OFF:IN TERMEDIATE TR ANSFER:BK	U012	53	1	X/O			
					D0394586	COVER:GRIP:DU PLEX UNIT	Accessories	14	1				
					D0419591	NV-RAM-512-1	U015	10	1				
					D0419592	NV-RAM-512-2	U015	11	1				
081128	0811 Modification	-	D0395898	HARNESS:TEMP ERATURE & HU MIDITY SENSOR	D0395896	HARNESS:TEMP ERATURE & HU MIDITY SENSOR				X/O			D03867:
			06220100E	SPRING PIN - 2X 10MM			U009_S004	220	1				
					D0391236	COVER:SCANNE R:FRONT LOWE R	U016	39	1				
					D0394012	FUSING UNIT:EU :SUB-ASS'Y	U011	38	1				

