



C7 CORVETTE INSTALLATION MANUAL

**PLEASE REVIEW THIS INSTALLATION MANUAL
CAREFULLY BEFORE BEGINNING ANY WORK**



PROUDLY MADE IN USA

Rev. 4.0 122015

Tech Support: 877-NAV-TOOL WWW.NAVTOOL.COM

Table Of Contents

PRECAUTIONS.....3

DESCRIPTION.....4

WIRING CONNECTIONS.....5-8

FEATURE PROGRAMMING.....9

INSTALLERS INFO.....10

QUICK START GUIDE11-12

IMPORTANT WARNING

This product includes instructions for installation which must be carefully followed. The instructions are worded in such a manner to assume that the installer is capable of completing these type of electronic installations. If you are unclear as to what you are instructed to do or believe that you do not understand the instructions so as to properly and safely complete the installation you should consult a technician who does have this knowledge and understanding.

Failure to follow these instructions carefully and to install the interface as described could cause harm to the vehicle or to safety systems on the vehicle. Interference with certain safety systems could cause harm to persons as well. If you have any questions in this regard please call the NavTool Help line at 1-877-628-8665 and for ordering questions call NavTool at 1-877-628-8665.

PRECAUTIONS: Please read before you start the installation

- **Please study these instructions carefully before installing NavTool interface.**
- **Many new vehicles use low-voltage or data-bus systems that can be damaged by test lights and logic probes. Test all circuits with a digital multi-meter before making connections.**
- **Do not disconnect the battery if the vehicle has an anti-theft-coded radio, unless you have the radio code.**
- **If installing an external push button switch, check with the customer about where to install the switch.**
- **To avoid accidental battery drainage turn off the interior lights or remove the dome light fuse.**
- **Roll down a window to avoid being locked out of the car.**
- **Use of this product in a manner different to its intended way of operation may result in property damage, personal injury, or death.**
- **Set Parking brake.**
- **Remove the negative battery cable.**
- **Protect fenders before starting.**
- **Using protective blankets to cover front seats, interior of the vehicle and center console.**
- **Always install a fuse 6-12 inches away from NavTool interface, 5 amp fuse should be used.**
- **Always secure interface with Velcro or double side tape to prevent rattling of the interface.**
- **When securing NavTool interface make sure that panels can be closed back easily.**
- **Use electrical tape on all you connections and splices, do not leave any exposed connections.**
- **Route all wires along factory harnesses, try not to drill or make any unnecessary holes.**
- **Make sure you are not connecting to any data wires; always check your connections with a multi-meter.**
- **Always use help of a professional installer to prevent any damage to the vehicle or NavTool interface.**

Description

Video Inputs:

HDMI Input: Connect any video source that has HDMI output, most popular application is smartphone/tablet connection. All iOS Apple device will require lightning to HDMI adapter made by Apple. Some Android smartphones have micro HDMI port and some will require MHL adapters, please refer to your smartphone user manual for correct MHL adapter.

WHEN PLACING THE INTERFACE BEHIND PANELS TAKE CARE TO AVOID ANY PRESSURE ON THE HDMI CONNECTOR, AS IT MAY BREAK OFF THE BOARD IF TOO MUCH FORCE IS APPLIED.

Video 1: Composite video input for front camera.

(if installing front camera make sure the camera doesn't not have reverse image enabled, otherwise left and right view will be reversed.)

Video 2: Composite video input for an aftermarket back-up camera.

(we recommend asking customer if they plan to use camera while driving, in this event you will connect the camera to a +12V accessory power instead of +12V reverse trigger.

Video 3: Composite video input for left camera.

Video 4: Composite video input for right camera.

Audio Output:

3.5 mm Audio Output Jack: 3.5mm audio jack provides audio output from connected HDMI source. 3.5mm aux audio jack can be connected to 3.5mm AUX audio jack input of vehicle stereo system.

USB:

Micro USB update port: configuration of features and settings that may need to be adjusted prior to installation.

USB charger port: provides 2 amp power output.

Plug and Play Harness:

DVI Input: HMI Cable.

DVI Output: HMI Cable.

Plug and Play Harness: 100% plug and play harness for power and Data for NavTool.

WIRING CONNECTIONS

- Before making your connections, plan entire wire routing inside the vehicle prior to starting the installation.

- There are few acceptable ways of making a wire connections:

Solder connections, strip and tape connections and crimp connectors. When soldering connection be careful not drop solder on interior dash panels. When doing strip and tape wiring method, best way is to strip insulation off a wire, make a hole in a wire and route a wire thru a hole and then use tape to insulate. When using crimp connectors make sure not to crimp to insulation as this may cause wire to break.

- Low quality electrical tape is not a reliable insulator. It often falls off in hot weather, always use high quality electrical tape.

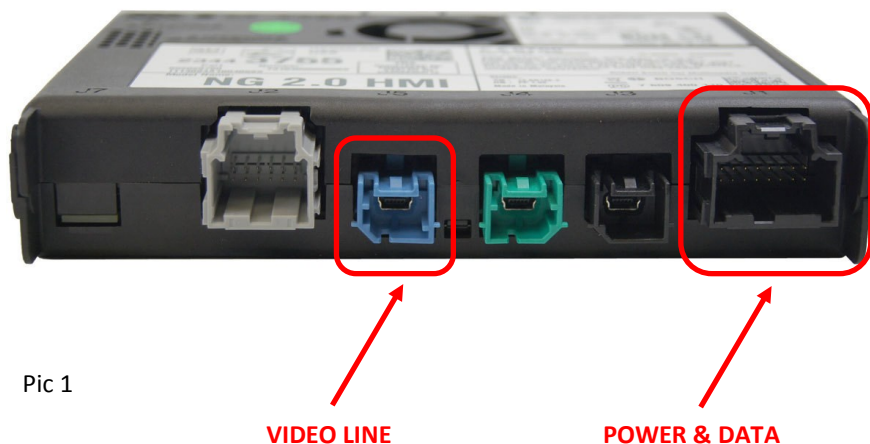
- Never twist and tape wires together without soldering.

- Never use fuse taps as they can damage fuse box terminals.

- If you use wire-tap connectors such as T-Taps, avoid using them. These connectors are inferior in quality and should be avoided.

INSTALLATION LOCATION:

C7 Corvette plug and play harness should be installed directly at the HMI module located in the drivers kick panel. See page 8.



Pic 1

VIDEO LINE

POWER & DATA

Plug & Play Harness Installation

PLUG & PLAY C7 CORVETTE HARNESS INSTALLATION:

All connections of the C7 CORVETTE plug and play installation harness in Corvette vehicles are done at the HMI module in the drivers kick panel.

Step 1: Access the connectors at the HMI module, see Pic 2 on page 8.

Step 2: Disconnect 16-pin black male connector from the HMI module.

Step 3: Insert 16-pin black male connector of the C7 CORVETTE plug-and-play harness into the HMI module.

Step 4: Insert previously disconnected factory 16-pin black male connector into the 16-pin black female connector of the C7 CORVETTE plug-and-play harness.

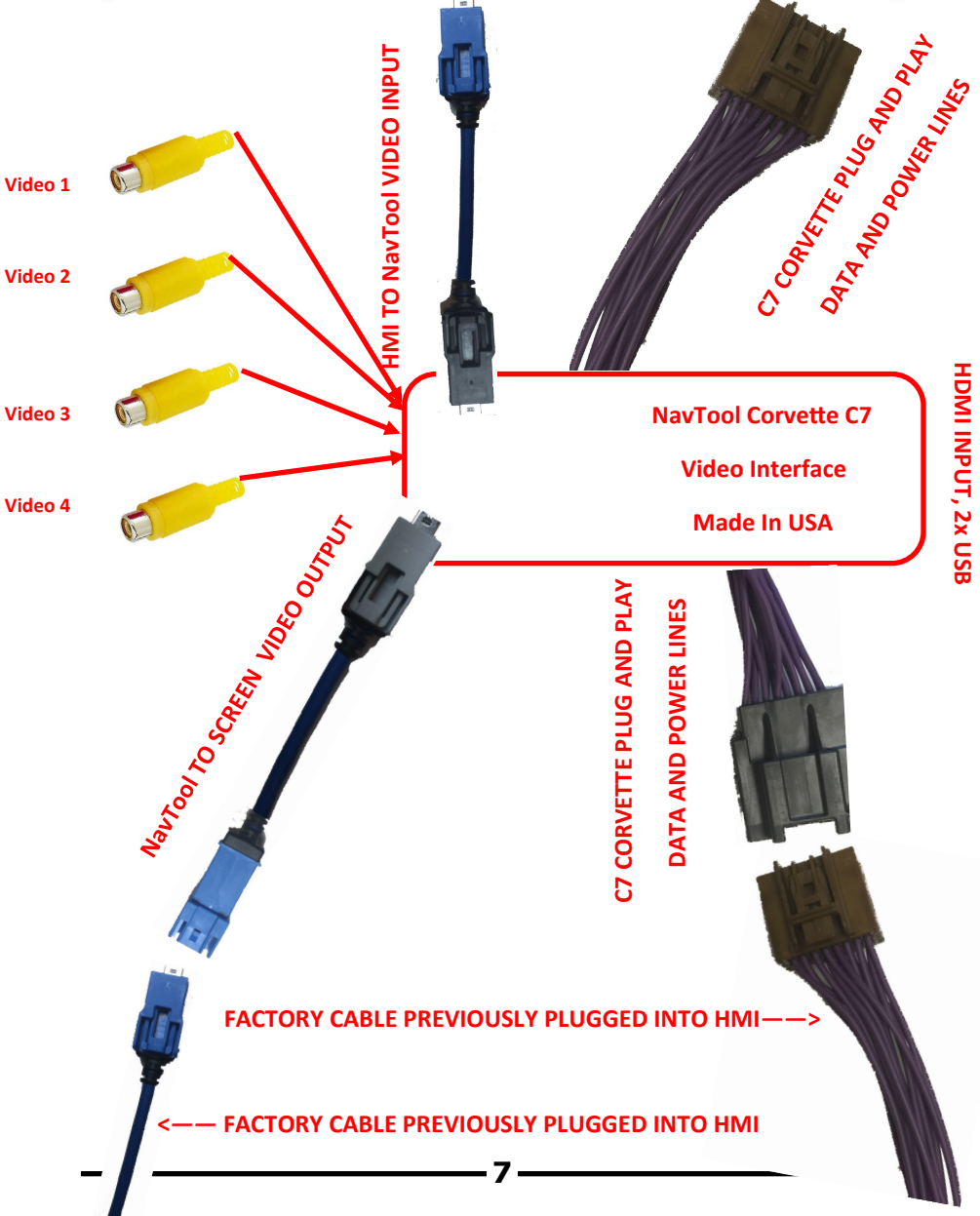
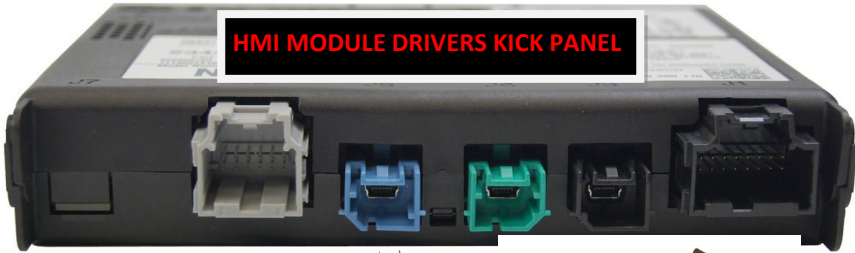
Step 5: Connect C7 CORVETTE harness to the C7 CORVETTE video interface.

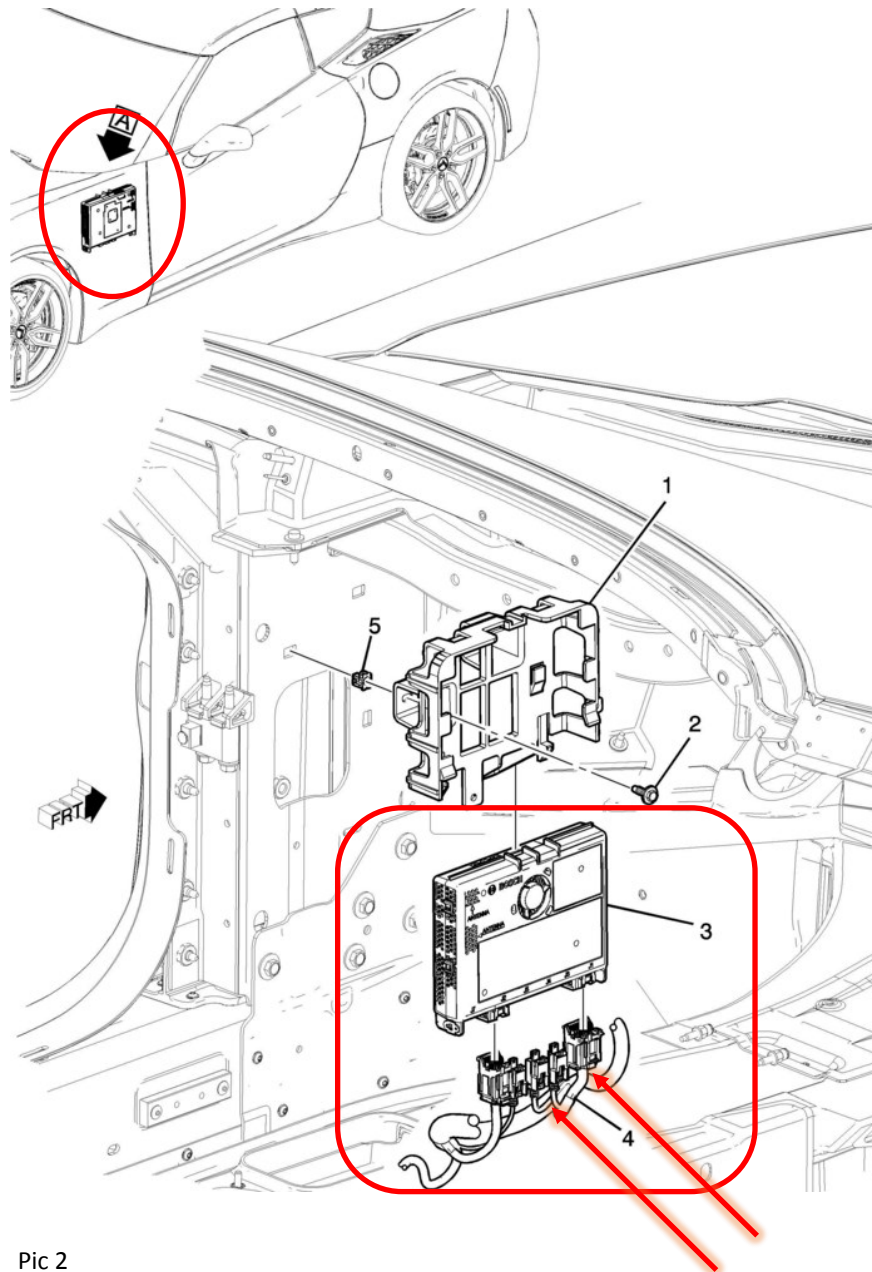
Step 6: Disconnect BLUE connector from the HMI module.

Step 3: Insert BLUE male connector of the C7 CORVETTE plug-and-play harness into the HMI module.

Step 4: Insert previously disconnected factory BLUE male connector into the BLUE female connector of the C7 CORVETTE plug-and-play harness.

Step 5: Connect both C7 CORVETTE harness to the C7 CORVETTE video interface.





Pic 2

Feature Programming

Most installations of interface do not require any type of programming prior to installation.

In some cases certain features and setting of the interface must be adjusted for video image to be displayed correctly.

To do that please follow instructions below:

Download and install NavTool online updater on your computer.

There will be 3 components installed on your PC

1. NavTool online updater
2. Database Connector
3. TeamViewer

NavTool online updater is only compatible with Microsoft Windows based PC.

After installation is complete go to your start menu locate folder with NavTool online updater and run the program.

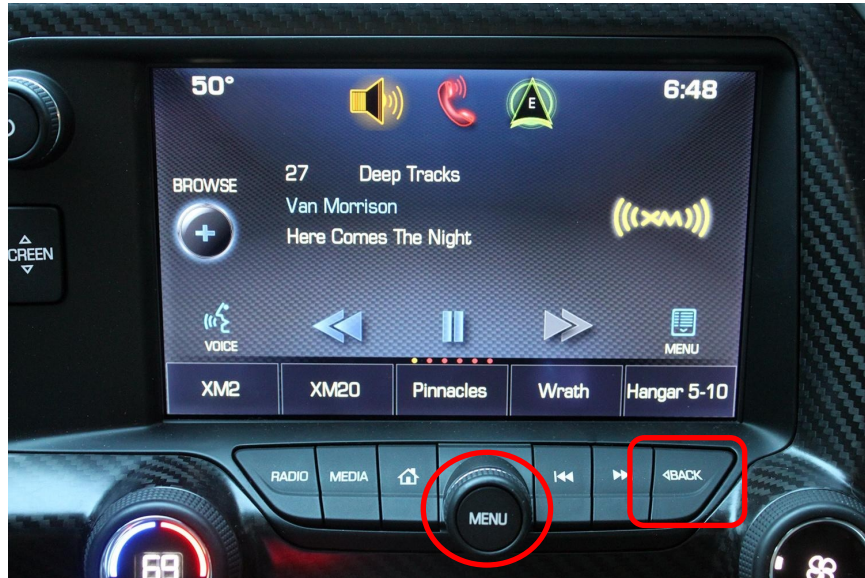
We have built in NavTool Team Viewer feature and live chat for tech support in case you have any question during update and require immediate support.

On the bottom left corner of the NavTool online updater you will find a button for remote support.

Click remote support button and TeamViewer will open

It will generate one time ID and Password (ID and password changes every time program is open)

Provide us with this information and we will be able to help you remotely if such help is required.



Back button operation: When you first start your vehicle, the color/navigation screen will display factory image.

- Press and hold the back button for 3 seconds to activate/deactivate the interface.
- Rotate menu wheel to the right or left to cycle between HDMI, Video 1, Video 2, Video 3, Video 4 inputs.

Press and hold the back button for 3 seconds or longer to return back to factory display image.

QUICK START GUIDE

Thank you for purchasing C7 CORVETTE interface.

Back button operation: When you first start your vehicle, the color/navigation screen will display factory image.

- Press and hold the back button for 3 seconds to activate/deactivate the interface.
- Rotate menu wheel to the right or left to cycle between HDMI, Video 1, Video 2, Video 3, Video 4 inputs.

Press and hold the back button for 3 seconds or longer to return back to factory display image.

HDMI input: If you have connected smartphone tablet or any other HDMI video source, you can activate HDMI video input by rotating menu wheel until your HDMI source is displayed on vehicles screen.

Video Input 1/Front camera input: If you have installed front view camera, you can activate video 1 by rotating menu wheel until front camera is displayed on vehicles screen.

Video Input 2/Back-up camera Input: If you have installed an aftermarket back-up camera, your aftermarket back-up camera will turn on automatically in reverse.

Video Input 3/Left camera Input: If you have installed an aftermarket left lane watch camera, your aftermarket left lane watch camera will turn on automatically with left turn signal at speeds above 15 mph.

Video Input 4/Right camera Input: If you have installed an aftermarket right lane watch camera, your aftermarket right lane watch camera will turn on automatically with right turn signal at speeds above 15 mph.

DISCLAIMER: WARNING!!! WARNING!!!

NavTool is designed to be used only when the vehicle is immobilized. The driver is responsible for maintaining full attention while operating a motor vehicle. The removal or bypassing of safety features in NavTool products will result in termination of warranty. Using NavTool unit improperly may result in injury, citation or arrest by authorities. Therefore NavTool owners and employees are not responsible for unauthorized use.

TEAR HERE

**NavTool Video Integration Solutions
WWW.NAVTOOL.COM**

**FOR INFORMATION ON THIS AND OTHER
NavTool SOLUTIONS PLEASE VISIT
WWW.NavTool.COM**

TEAR HERE

**NavTool Video Integration Solutions
[WWW.NavTool .COM](http://WWW.NavTool.COM)**