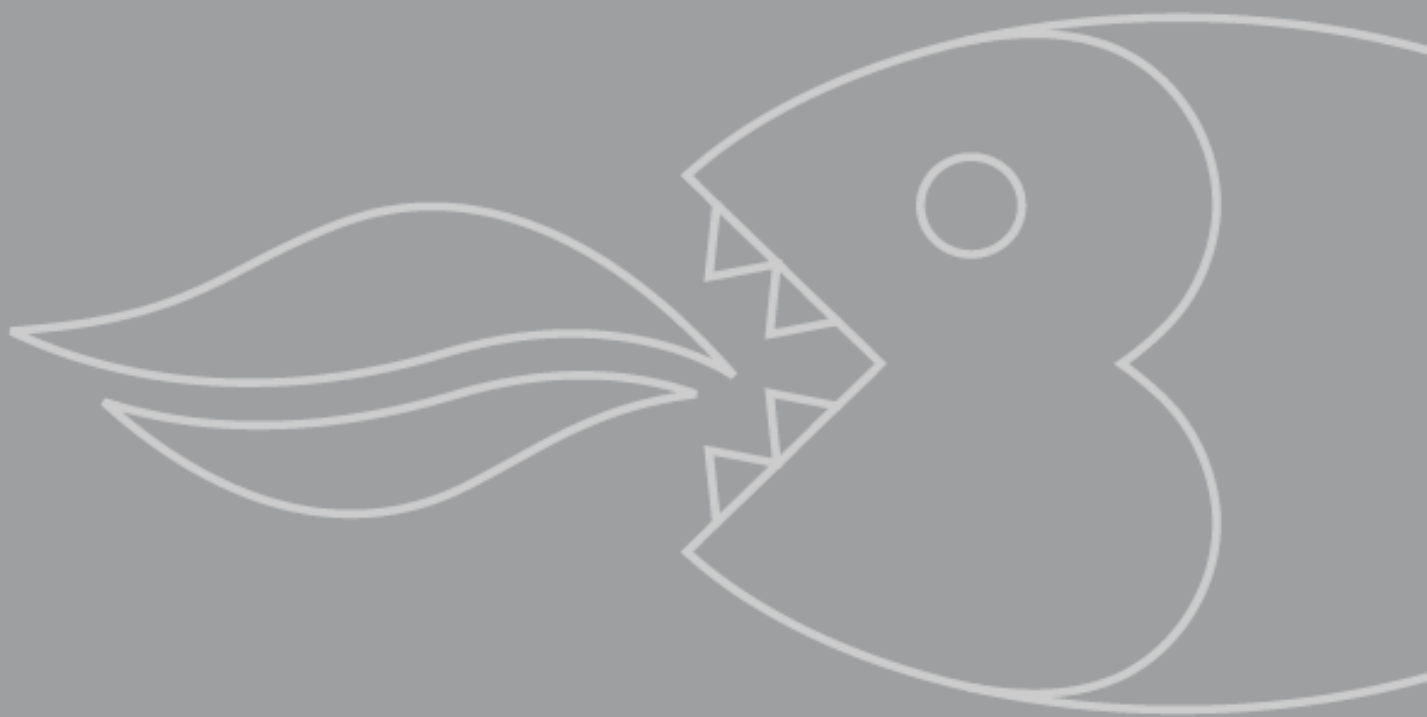


**BTM20.5SS 20 Litre
microwave oven**

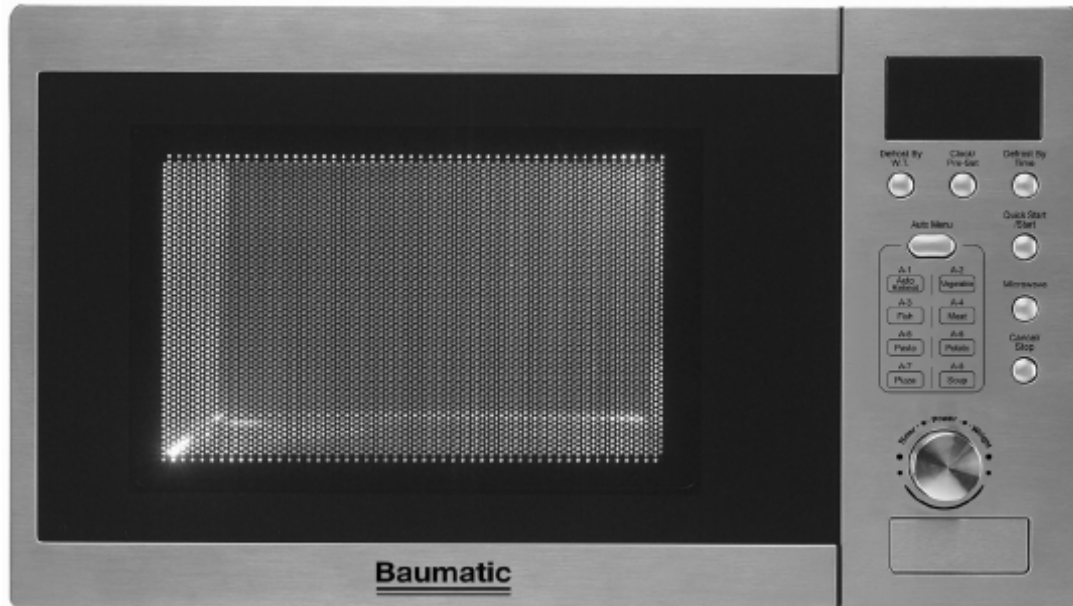
INSTRUCTION MANUAL



User Manual for your Baumatic

BTM20.5SS

20 Litre microwave oven



NOTE: This User Instruction Manual contains important information, including safety & installation points, which will enable you to get the most out of your appliance. Please keep it in a safe place so that it is easily available for future reference; for you or any person not familiar with the operation of the appliance.

GS 02/04/13

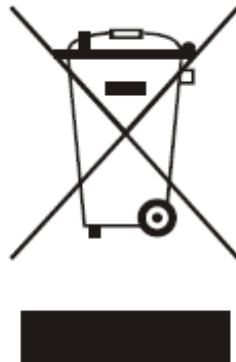
Environmental note	4
Important safety information	5 – 8
Specifications	9 - 12
Product dimensions	9
Product specifications	9
Description of the appliance	10
Control panel	11
The turntable	11
LED display	12
Using your microwave	13 – 22
Setting the clock	13
Before first use	13
Cooking food	14
Quick start	15
Microwave power level chart	15
Time setting chart	15
Interrupting a cooking cycle	15
Cancelling a cooking cycle	16
Enquiry mode	16
Defrost by time	16
Defrost by weight	17
Setting multiple cooking phases	17
Setting a cooking time in advance	18
Auto menu function	19
Auto menu chart	19
Safety lock	20
Microwave cooking guidelines	20 – 21
Materials you can use in a microwave oven	21 - 22
Materials not to be placed in a microwave oven	22
Cleaning and maintenance	22 - 23
The appliance exterior	22
The appliance interior	23
Turntable and turntable support	23
General cleaning advice	23
Installation	24 – 25
Positioning	24
Electrical connection	24 - 25
My appliance isn't working correctly	26 – 27
Baumatic consumables	28
Contact details	29

This appliance is marked according to the European directive 2002/96/EC on Waste electrical and Electronic Equipment (WEEE). By ensuring this product is disposed of correctly, you will help prevent potential negative consequences for the environment and human health, which could otherwise be caused by inappropriate waste handling of this product.

The symbol  on the product, or on the documents accompanying the product, indicates that this appliance may not be treated as household waste. Instead it shall be handed over to the applicable collection point for the recycling of electrical and electronic equipment.

Disposal must be carried out in accordance with local environmental regulations for waste disposal.

For more detailed information about treatment, recovery and recycling of this product, please contact your local city office, your household waste disposal service or the shop where you purchased the product.



- The packaging materials that Baumatic uses are environmentally friendly and can be recycled.
- Please discard all packaging material with due regard for the environment.

IMPORTANT SAFETY INFORMATION



Your safety is of the utmost importance to Baumatic. Please make sure that you read this instruction booklet **before** attempting to install or use the appliance. If you are unsure of any of the information contained in this booklet, please contact the Baumatic Customer Care Department.

General Information

- This appliance is designed for domestic household use. It can **NOT** be used as a built-in microwave and must be used as a freestanding appliance.
- You should only operate the appliance when the rotating plate and rotating base are in position.
- You should only use ovenware that is suitable for being used in a microwave.
- To prevent corrosion occurring due to moisture/condensation, the cavity and the door of the microwave should be wiped dry after each use of the appliance.
- The appliance must not be left unattended if you are heating or cooking food in containers that are made of paper, plastic or other flammable materials. If left unattended, they could pose a **fire hazard**.
- If you notice smoke coming from the appliance, you should keep the door of the microwave closed and then disconnect it from your mains supply. **DO NOT** use your microwave oven, if you think it is not operating correctly.

Installation

- **IMPORTANT:** *Only the freestanding installation sanctioned by Baumatic and outlined in this manual should be followed.*
- Ventilation gaps **MUST** be left around the microwave; at least 10 cm to the rear, 5 cm to both sides and 20 cm above the appliance.
- The use of this appliance for any other purpose or in any other environment without the express agreement of Baumatic Ltd. will invalidate any warranty or liability claim.

- Your new appliance is guaranteed against electrical or mechanical defects, subject to certain exclusions that are noted in Baumatic's Conditions Of Guarantee. The foregoing does not affect your statutory rights.

Service

- Your microwave complies with all relevant safety standards. In order for it to continue to operate safely, ***only an engineer that is approved by the Baumatic Customer Care Department should work on the appliance.***
- ***IMPORTANT:*** *It is dangerous for a non qualified person to work on the appliance, in particular if they remove the cover that provides protection against exposure to microwave energy.*
- If you notice that the door seal, door surfaces, power cord and plug are damaged. You should stop using the appliance, disconnect it from the mains supply and contact the Baumatic Customer Care Department.
- Only genuine Baumatic spare parts should be fitted to your appliance. These can be obtained from the Baumatic Spares Department.

Warning and safety instructions

- This appliance complies with all current European safety legislation. Baumatic do wish to emphasise that this compliance does not remove the fact that the appliance surfaces ***will become hot during use and retain heat after operation.***
- DO NOT place anything between the door and the door frame.
- DO NOT store anything that is flammable inside of the microwave. When it is switched on, the items could catch fire.
- DO NOT switch the appliance on if there is no food or liquid inside of the microwave. If you run the microwave whilst it is empty, there is a chance that it will overload.
- The door seals and the door surfaces should ALWAYS be kept clean and free from debris.

Child Safety

- Baumatic strongly recommend that babies and young children are prevented from being near to the appliance and not allowed to touch the appliance **at any time**.
- If it is necessary for younger family members to be in the kitchen, please ensure that they are kept under close supervision at all times.
- **IMPORTANT:** *This appliance should only be operated by adults. You SHOULD NOT allow young children to use the microwave without supervision. Older children should only operate the appliance if they have been thoroughly instructed on how to use the microwave and the consequences of improper usage.*

General Safety

- **Do not** allow electrical fittings or cables to come into contact with areas on the appliance that get hot.
- **Do not** use the appliance to heat the room it is located in.
- **Do not** use the appliance to dry paper, textiles or animals.
- **Do not** install the appliance next to curtains or soft furnishings.
- **Do not** use the appliance to heat unopened bottles or cans etc.
- **Do not** heat cooking oil or liquid containing alcohol, as there is the chance of spontaneous combustion.
- **Do not** boil eggs or similar foods in their shells, otherwise they may burst. It is possible to poach eggs in your microwave, providing you prick the yolks first.
- **Do not** attempt to lift or move cooking appliances by using the oven door, as this may cause damage to the appliance or result in injury to the person lifting the appliance.

Cleaning

- Cleaning of the oven should be carried out on a regular basis.
- Great care should be taken whilst using this appliance and when following the cleaning procedure.
- ***IMPORTANT:*** *The appliance must be disconnected from the mains before following the cleaning procedure.*

Installation



This appliance must be correctly installed by a suitably qualified person, strictly in accordance with the manufacturer's instructions.

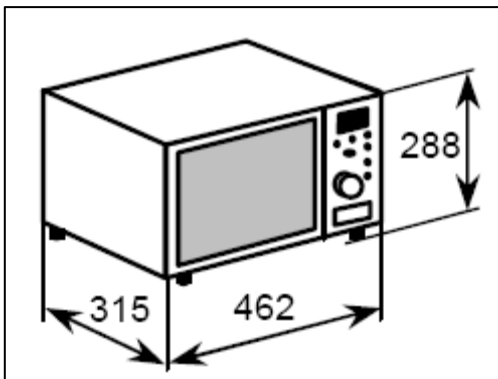
- ***Baumatic Ltd. declines any responsibility for injury or damage, to person or property, as a result of improper use or installation of this appliance.***
- Heat, steam and moisture will be created during use of the appliance, take care to avoid injury and ensure that the room is adequately ventilated. If the appliance is going to be used for prolonged periods of time, then additional ventilation may be required.
- Please consult with your qualified installer if you are in any doubt about the amount of ventilation that you will require.

Declaration of conformity

- **CE:** Appliance conforming to the European directives 89/336/EEC, 93/68/EEC, 73/23/EEC and subsequent revisions and "RoHS" directive 2002/95/CE.*
- The manufacturer declares that the oven is built using certified materials and requires the appliance to be installed in accordance with the standards currently in force. This appliance must be used by a trained person for domestic purposes only.
- * The RoHS directive stands for "the restriction of the use of certain hazardous substances in electrical and electronic equipment". This directive bans the placing on the EU market of new electrical and electronic equipment containing more than the agreed levels of lead, cadmium, mercury, hexavalent chromium, polybrominated biphenyl (PBB) and polybrominated diphenyl ether (PBDE) flame retardants.

Specifications

Product dimensions*



Height: 288 mm
Width: 462 mm
Depth: 340 mm

* Please refer to the installation instructions contained in this user manual, to see the ventilation gaps you will need to leave around the appliance.

Product specifications

- **5 power levels**
- **8 cooking functions:** Auto-reheat
Vegetable
Fish
Meat
Pasta
Potato
Pizza
Soup
- **Capacity:** 20 litres
- **Microwave output:** 800 W
- Push button/knob control operation
- Safety lock
- Interior light
- LED full programmer with function display
- Quick start function
- Defrosting by weight and by time modes
- Stainless steel exterior and interior
- Viewing window

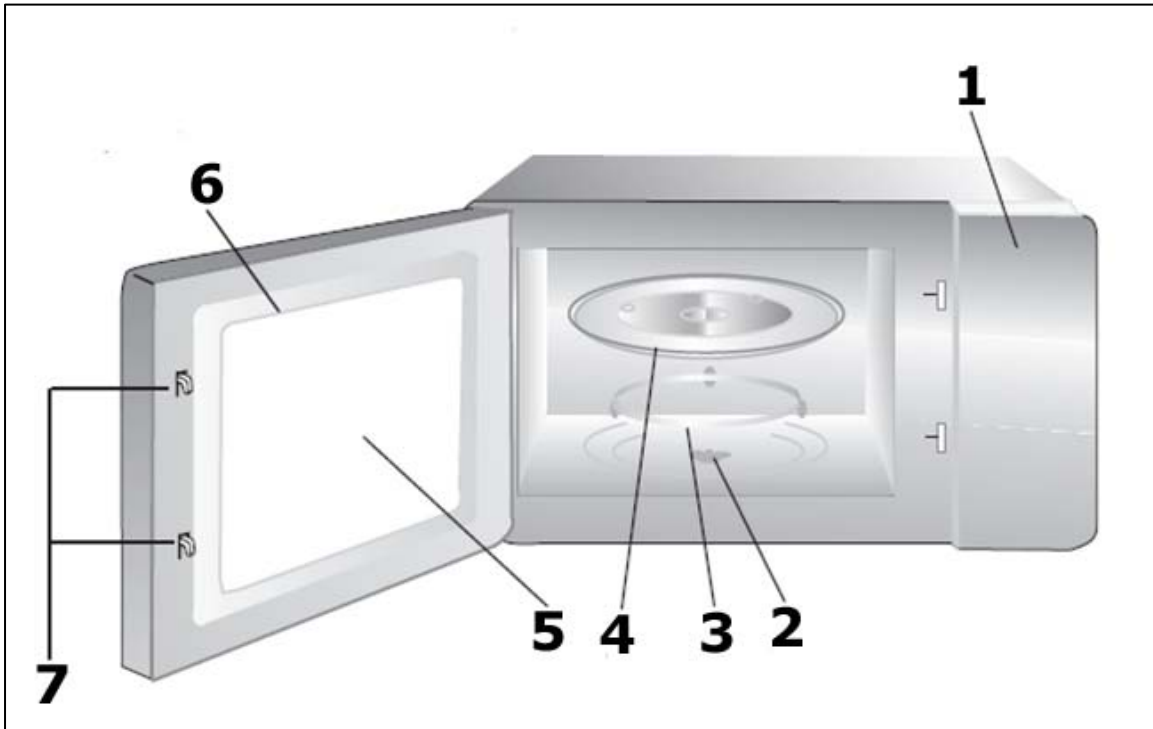
For future reference please record the following information which can be found on the rating plate and the date of purchase which can be found on your sales invoice. The rating plate for your oven can be located by opening the microwave oven door and looking on the right hand side of the chassis and/or on the rear of the appliance.

Model Number

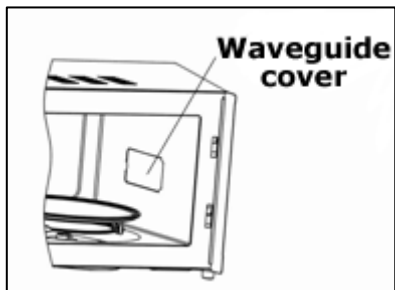
Serial Number

Date of Purchase

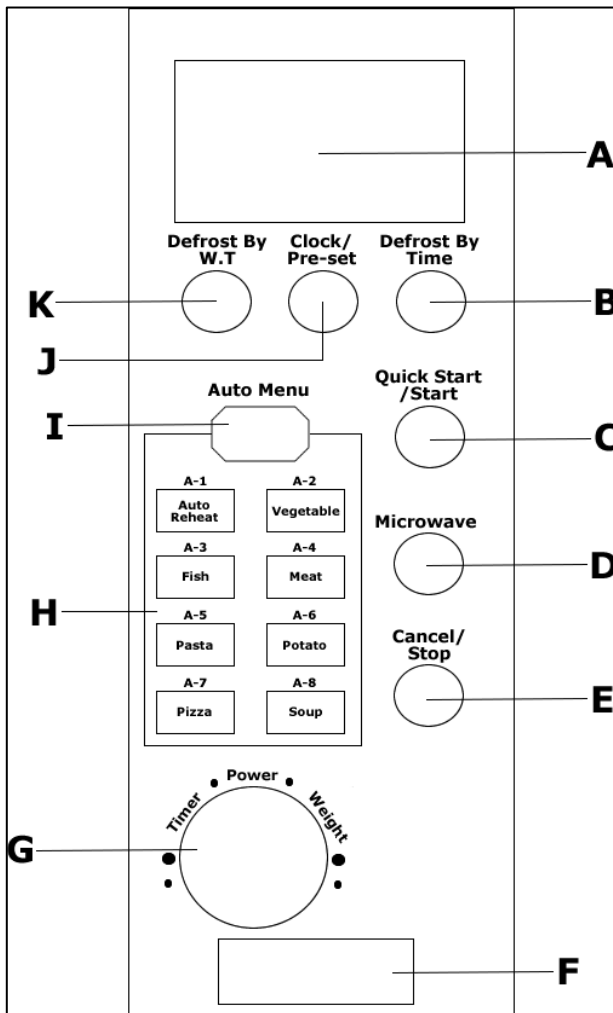
Description of the appliance



- 1) Control panel
- 2) Slot for the rotating base
- 3) Rotating base
- 4) Rotating plate
- 5) Door glass
- 6) Door
- 7) Door catches

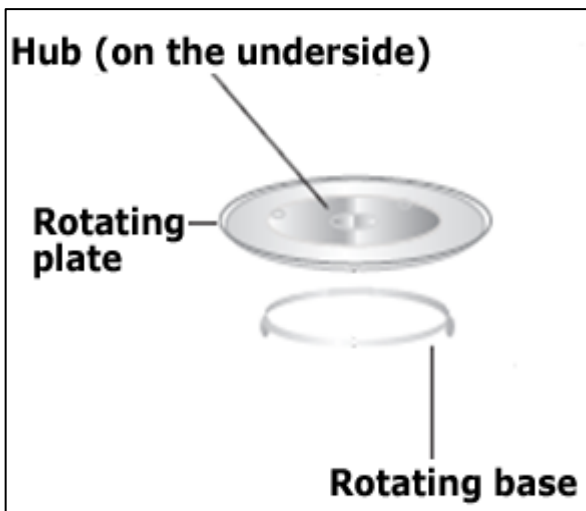


Control panel



- A) LED display
- B) Defrost by time button
- C) Quick Start/Start button
- D) Microwave button
- E) Cancel/Stop button
- F) Door button
- G) Adjustment dial
- H) Auto Menu
- I) Auto Menu button
- J) Clock/Pre-set time button
- K) Defrost by weight button

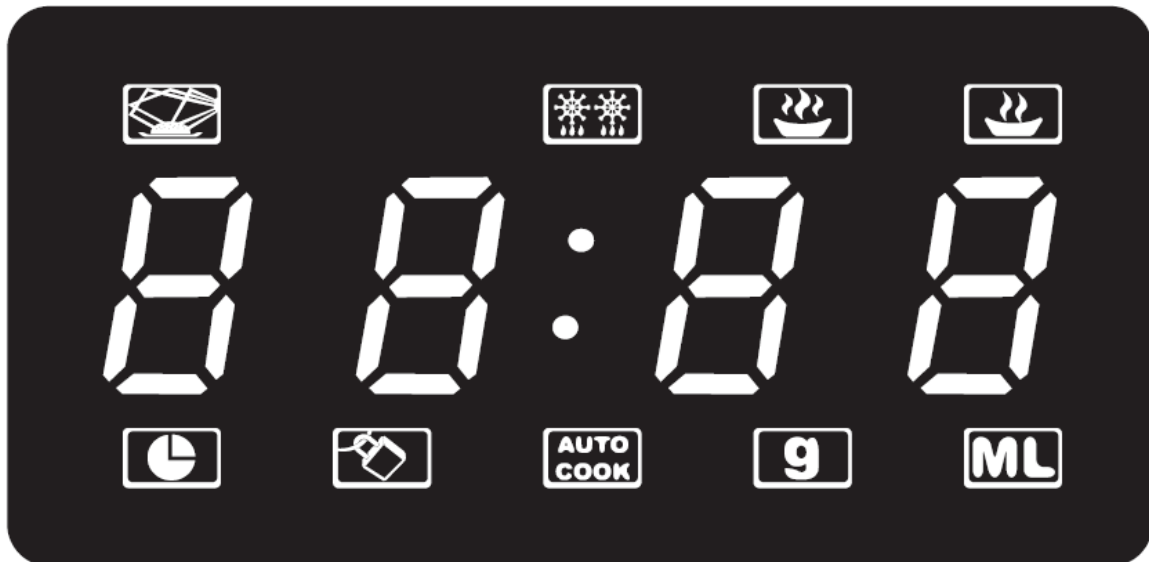
The turntable



- **Never** place the rotating plate upside down.
- The rotating plate and rotating base **MUST** always be used during cooking.
- All food and food containers must **ALWAYS** be placed on the rotating plate during cooking.

- If the rotating plate or rotating base cracks or breaks, it must be replaced immediately. Genuine Baumatic parts can be obtained from the Baumatic Spares Department.

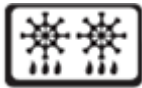
LED display



- The LED display will show the time of day, or if the microwave is in use, it will show the cooking time.



Indicates that microwave cooking is taking place.



Indicates that defrosting is taking place.



Indicates that a high power level is selected.



Indicates that a low power level is selected.



Indicates that the time of day is shown on the display.



Indicates that the safety lock is engaged.



Indicates that the auto menu function has been selected.



Indicates that grams are shown on the LED display.



Indicates that millimetres are shown on the LED display.

Setting the clock

- When your appliance is connected to the power supply for the first time, the LED display **(A)** will show 0.00 and an audible signal will sound once.
- Press the Clock/Pre-set time button **(J)**, the hour digits will flash.
- Use the adjustment dial **(G)** to adjust the hour time.
- Press the Clock/Pre-set time button **(J)** to confirm the hour time. The minute digits will flash.
- Use the adjustment dial **(G)** to adjust the minute time.
- Press the Clock/Pre-set time button **(J)** to confirm the minute time. The ":" symbol will flash and the time of day will light on the LED display **(A)**.

Before first use

- To remove any residue from the oven that may have been left from the manufacturing process, you should place a cup that is half filled with water in the microwave.
- Set the microwave on its highest power level for 2 minutes.
- The oven cavity and outside of the appliance should be cleaned with warm soapy water, using either a sponge or soft cloth. No abrasive cleaners should be used. The appliance should be thoroughly dried afterwards.

Cooking food

- Once the clock has been set, your microwave is then ready to use.
- Use the door button **(F)** to open the door of the microwave.
- Check that the rotating base and rotating plate are correctly assembled in the slot for the rotating base.
- Place whatever you are cooking in the centre of the microwave cavity and then close the microwave door. **IMPORTANT:** *You should make sure that the door of the microwave is shut securely.*
- Press the microwave button **(D)** and the LED display **(A)** will show "P100", indicating that the appliance will cook at its highest power level.
- To adjust the power level, turn the adjustment dial **(G)**.
- Once the power level that you require appears on the LED display **(A)**, press the microwave button **(D)** again.
- Turn the adjustment dial **(G)** to set the cooking time that you require. The maximum cooking time that you can set is 95 minutes.
- Press the Quick Start/Start button **(C)** and your microwave will start to heat.
- If you have set the incorrect power level or time, press the Cancel/Stop button **(E)** and the LED display **(A)** will return to showing the time of day.
- At the end of the cooking time, your microwave will give an audible signal and the LED display **(A)** will return to showing the time of day.
- Use the door button **(F)** to open the door of the microwave.
- **IMPORTANT:** *The inside of the microwave and the food that you have been cooking may be extremely hot. So care should be taken when removing items from the microwave. We would recommend that you use an oven glove.*
- After the food has been removed from the microwave, you should make sure that the door is closed.

Quick start

- If you want to cook on the highest power level setting for a period of time, then you can use the Quick Start/Start button **(C)**.
- Press the Quick Start/Start button **(C)** once and your microwave will operate on full power for 1 minute.
- Each time you press the Quick Start/Start button **(C)** the cooking time will increase by 1 minute.

Microwave power level chart

Power	High	Medium high	Medium	Medium low	Low
Display shows	P100	P80	P50	P30	P10

Time setting chart

When you are setting a cooking time, the clock will count in the following time intervals.

Time period being set	Time intervals
0 – 1 minute	5 seconds
1 – 5 minutes	10 seconds
5 – 10 minutes	30 seconds
10 – 30 minutes	1 minute
30 – 95 minutes	5 minutes

Interrupting a cooking cycle

- If you wish to temporarily interrupt a cooking cycle when it is in progress (for example to stir what you are heating), you should press the door button **(F)**.
- The door of the microwave will open and it will stop heating immediately.
- To restart the cooking cycle, close the microwave door and then press the Quick Start/Start button **(C)**.

Cancelling a cooking cycle

- If you wish to cancel a cooking cycle when it is in progress, you should press the Cancel/Stop button **(E)**.
- The microwave will stop heating immediately, give an audible signal and the LED display **(A)** will return to showing the time of day.
- Use the door button **(F)** to open the door of the microwave.
- **IMPORTANT:** *The inside of the microwave and the food that you have been cooking may be extremely hot. So care should be taken when removing items from the microwave.*
- After the food has been removed from the microwave, you should make sure that the door is closed.

Enquiry mode

- Whilst the microwave is in use, the LED display **(A)** will countdown the cooking time that you have set.
- To check the power level that the microwave is cooking at, press the microwave button **(D)** and the power level will appear on the LED display **(A)** for a few seconds.
- To check the time of day, press the Clock/Pre-set button **(J)** and the time of day will flash on the LED display **(A)** for a few seconds.

Defrost by time

- Press the defrost by time button **(B)** and the LED display **(A)** will show "dEF2".
- Turn the adjustment dial **(G)** to set the defrost time that you require.
- Press the Quick Start/Start button **(C)** and your microwave will start to defrost the food.

Defrost by weight

- Press the defrost by weight button **(K)** and the LED display **(A)** will show "dEF1".
- Turn the adjustment dial **(G)** to select the weight of the food that you want to defrost. The letter "g" will appear on the LED display **(A)** to indicate grams.
- The microwave will automatically calculate the defrost time, based on the weight that you have selected.
- Press the Quick Start/Start button **(C)** and your microwave will start to defrost the food.

Setting multiple cooking phases

- It is possible to set the microwave to cook at different power levels within a single cooking time. A maximum number of 3 cooking phases can be set at once.
- Press the microwave button **(D)** and set the power level for the first cooking phase, using the adjustment dial **(G)**.
- Once the power level that you require for the first phase appears on the LED display **(A)**, press the microwave button **(D)** again.
- Turn the adjustment dial **(G)** to set the cooking time for the first cooking phase.
- Press the microwave button **(D)** and then follow the same procedure for the second cooking phase and third cooking phase (if required).
- Press the Quick Start/Start button **(C)** and the microwave will proceed with the cooking phases that you have set.
- If you have set the incorrect power level or time, press the Cancel/Stop button **(E)** and the LED display **(A)** will return to showing the time of day.
- At the end of the cooking time, your microwave will give an audible signal and the LED display **(A)** will return to showing the time of day.

Setting a cooking time in advance

- This function will allow you to set a time in the future that the microwave will switch on at.
- **IMPORTANT:** *You must make sure that the clock is set to the correct time before using this feature.*
- Press the microwave button **(D)** and then use the adjustment dial **(G)** to set the power level that you require.
- Press the microwave button **(D)** again and then use the adjustment dial **(G)** to set the cooking time that you require.
- **IMPORTANT:** *Do not press the Quick Start/Start button **(C)** at this point, otherwise the microwave will start to heat straight away.*
- Press the Clock/Pre-set time button **(J)**, the hour digits will flash.
- Use the adjustment dial **(G)** to set the hour time that you want the microwave to switch on at.
- Press the Clock/Pre-set time button **(J)** to confirm the hour time. The minute digits will flash.
- Use the adjustment dial **(G)** to set the minute time that you want the microwave to switch on at.
- Press the Quick Start/Start button **(C)** to confirm all settings.
- When the time of day that you have programmed is reached, the microwave will beep twice and then the microwave will start cooking automatically.
- **IMPORTANT:** *If the microwave door is not shut when the time of day that you have programmed is reached, then cooking will not commence.*



IMPORTANT: *Although your microwave has a set in advance time feature, we do not recommend that the microwave is **EVER** programmed to switch on when it is unattended.*

Auto menu function

- Your microwave has menus pre-programmed into it, where it will cook particular types of food on pre-set power levels and for pre-set periods of time.
- Press the auto menu button **(I)** to access the auto menu function, the LED display **(A)** will show "A-1".
- Turn the adjustment dial **(G)** to select the food type that you want to cook.
- Press the auto menu button **(I)** to confirm the food type.
- Turn the adjustment dial **(G)** to select the weight of the food that you want to cook. The letter "g" will appear on the LED display **(A)** to indicate grams.
- Press the Quick Start/Start button **(C)** and your microwave will start to heat. The gram symbol will go out and the cooking time will start counting down on the LED display **(A)**.

Auto menu chart

<i>Auto menu</i>	<i>Weight</i>	<i>Display</i>
A-1 Auto reheat	200 g	200
	400 g	400
	600 g	600
A-2 Vegetable	200 g	200
	300 g	300
	400 g	400
A-3 Fish	250 g	250
	350 g	350
	450 g	450
A-4 Meat	250 g	250
	350 g	350
	450 g	450
A-5 Pasta	50 g (with cold water 450 g)	50
	100 g (with cold water 800 g)	100
A-6 Potato	200 g	200
	400 g	400
	600 g	600
A-7 Pizza	200 g	200
	400 g	400
A-8 Soup	200 ml	200
	400 ml	400

Safety lock

- When the microwave is not heating, it is possible to switch on the safety lock.
- Press and hold down the Cancel/Stop button **(E)** for 3 seconds.
- The microwave will emit a long audible signal and the LED display **(A)** will display a padlock symbol.
- Until the safety lock is switched off, all buttons on the microwave will be disabled.
- To switch off the safety lock, press and hold down the Cancel/Stop button **(E)** for 3 seconds. The microwave will emit a long audible signal and the padlock symbol will disappear from the LED display **(A)**.

Microwave cooking guidelines

- If you are heating liquid in the microwave, then you must also place a teaspoon in the container. This will ensure that the liquid does not boil suddenly after being removed from the microwave cavity.
- This phenomenon is called “delayed boiling”, this means that a liquid can be close to boiling point, even if there is no steam coming off the liquid or the liquid is not bubbling. If the liquid container is even gently shaken, then the liquid can without warning boil over or even spurt. This could **scald the end user**.
- If the food you are cooking has a skin or peel (e.g. sausages, tomatoes, potatoes etc), then you should pierce the skin or peel with a fork. This will ensure that if steam is created during the heating process, it can escape and the food will not burst.
- When heating baby food, the bottle or jar containing the food should **NEVER** have a top or lid on. After cooking, to ensure that the food has been heated uniformly, you should stir or shake the food. **IMPORTANT:** *You must check the temperature of the food before feeding it to a child.*
- When heating food in a microwave, it will transmit the heat to the container that the food is in or on. You should **ALWAYS** use oven gloves when removing items from the microwave.
- You should make sure that you do not cook food for too long or at too high a power level. This could cause certain areas of the food to dry out or even ignite.

- You should not use ceramic or porcelain crockery, or porous earthenware inside of your microwave. These dishes could absorb moisture from the food whilst it is cooking, which could cause pressure to build up and shatter the dish.
- If you are heating certain foods and any liquid, moisture will evaporate and condensation may occur. This does not indicate that the appliance is faulty and it can be particularly noticeable if the ambient temperature of the room is high.
- **IMPORTANT:** *Any condensation should be wiped up with a soft cloth as soon as you have finished using the microwave.*
- After the cooking time has completed, you should let the food stand for a few minutes. This is called “standing time” and will allow the heat generated by the microwave to spread evenly throughout the food.

Materials you can use in a microwave oven

Material	Remarks
Aluminium foil	To be used for shielding only. Small smooth pieces can be used to cover thin parts of meat or poultry to prevent overcooking. Arcing can occur if foil is too close to the cavity walls. The foil should be at least 2.5 cm away from the cavity walls.
Browning dish	Follow the manufacturer's instructions. The bottom of the browning dish must be at least 5 mm thick above the turntable. Incorrect usage may cause the turntable to break.
Dinnerware	Microwave-safe only. Follow the manufacturer's instructions. Do not use cracked or chipped dishes.
Glass jars	Always remove the lid. Use only to heat food until just warm. Most glass jars are not heat resistant and may break.
Glassware	Heat-resistant oven glassware only. Make sure there is no metallic trim. Do not use cracked or chipped dishes.
Oven cooking bags	Follow the manufacturer's instructions. Do not close with a metal tie. Make slits in the bag to allow steam to escape.
Paper plates and cups	Use for short-term cooking/warming only. Do not leave the oven unattended whilst cooking.
Paper towels	Use to cover food for reheating and absorbing fat. Use under supervision and for short-term cooking only.
Parchment paper	Use as a cover to prevent splattering or as a wrap for steaming

Plastic	Microwave-safe only. Follow the manufacturer's instructions. It should be labelled as "microwave safe". Some plastic containers soften as the food inside gets hot. "Boiling bags" and tightly closed plastic bags should be slit, pierced or vented, as described by the package.
Plastic wrap	Microwave-safe only. Use to cover food during cooking to retain moisture. Do not allow the plastic wrap to touch the food.
Thermometers	Microwave-safe only. Meat and candy thermometers.
Wax paper	Use as a cover to prevent splattering and to retain moisture.

Materials not to be placed in a microwave oven

<i>Material</i>	<i>Remarks</i>
Aluminium tray	May cause arcing. Transfer food into a microwave-safe dish.
Food carton with metal handle	May cause arcing. Transfer food into a microwave-safe dish.
Metal or metal-trimmed utensils	Metal shields the food from microwave energy. The metal trim may cause arcing.
Metal twist ties	May cause arcing and could cause a fire in the oven.
Paper bags	May cause a fire in the oven.
Plastic foam	Plastic foam may melt or contaminate the liquid inside when exposed to a high temperature.
Wood	Wood will dry out when used in the microwave oven and may split or crack.

Cleaning and maintenance



Cleaning operations must only be carried out when the oven is cool.

The appliance should be disconnected from your mains supply before commencing any cleaning process.

The appliance exterior

- You should wipe over the front of the appliance with a soft cloth and warm water mixed with a little washing up liquid.
- **DO NOT** use abrasive cleaners or sharp objects to clean the front surface of the microwave.

The appliance interior

- You should wipe over the inside of the appliance with a soft cloth and warm water mixed with a little washing up liquid.
- You should pay particular attention to the door seal and the surrounding area.
- **DO NOT** use abrasive cleaners or sharp objects to clean the inside of the microwave.

Turntable and turntable support

- The rotating base and rotating plate should be removed from the microwave for cleaning purposes after each use.
- Clean the rotating base and rotating plate in warm water mixed with a little washing up liquid.

General cleaning advice

- **IMPORTANT:** *Any condensation should be wiped up with a soft cloth as soon as you have finished using the microwave.*
- To remove odours from inside of the microwave, you should boil one cup of water mixed with several tablespoons of lemon juice inside of the cavity.
- The microwave should be thoroughly cleaned before it is operated for the first time and after each use. This will avoid residual food stuffs becoming baked on the oven cavity. After residues have been baked on several times, they are far more difficult to remove.
- **Never** clean the oven surfaces by steam cleaning.
- If you use any form of oven cleaner on your appliance, then you must check with the manufacturer of the cleaner that it is suitable for use on your appliance.
- ***Any damage that is caused to the appliance by a cleaning product will not be fixed by Baumatic free of charge, even if the appliance is within the guarantee period.***

Installation

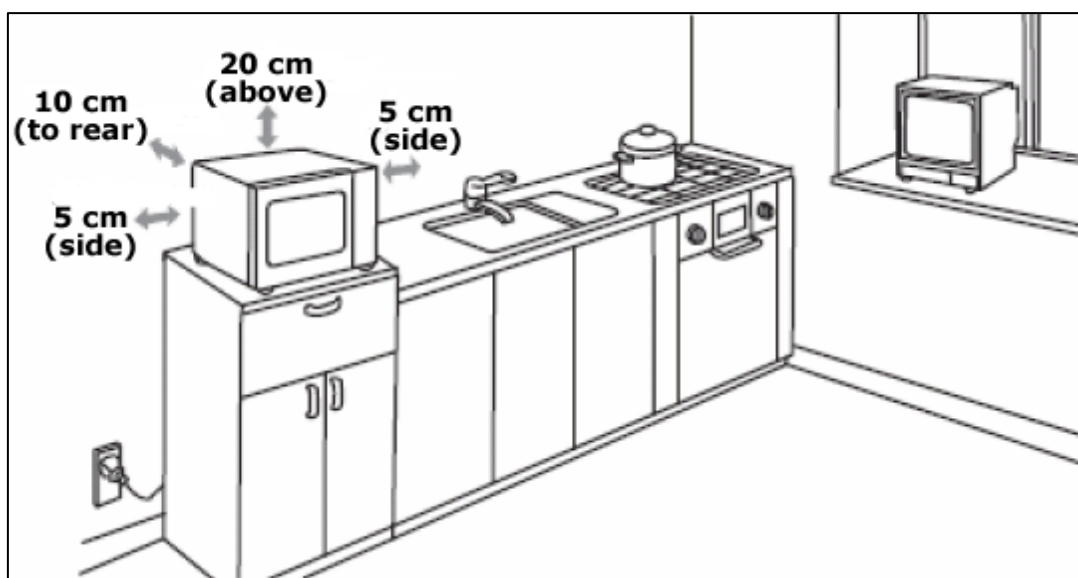


IMPORTANT: THIS INSTALLATION MUST BE COMPLETED BY A SUITABLY QUALIFIED PERSON. BAUMATIC ONLY SANCTION THE INSTALLATION GIVEN IN THIS INSTRUCTION MANUAL.



Before beginning to install your appliance, check that there is no sign of damage (on the inside or the outside of the microwave), and that there are no packing materials or accessories inside the cavity. Remove any protective film on the microwave.

Positioning



Electrical connection



- Before connecting the appliance, make sure that the supply voltage marked on the rating plate corresponds with your mains supply voltage.
- We recommend that the appliance is connected by a qualified electrician, who is a member of the N.I.C.E.I.C. and who will comply with the I.E.E. and local regulations.
- **WARNING: THIS APPLIANCE MUST BE EARTHED.**
- This appliance is supplied with a moulded plug, which must be connected to an earthed socket.

- If in future you need to change the fuse in this plug, then a 13 amp ASTA approved (BS 1362) fuse **must** be used.
- The socket must still be accessible even when your microwave is located on the worktop.
- The wiring in the mains lead is coloured as follows:

Brown	Live
Blue	Neutral
Green and yellow	Earth

- As the colours of the wires in the appliance's mains lead may not correspond with the coloured markings identifying the terminals in your spur box, please proceed as follows:

The **brown wire** must be connected to the terminal marked "L" (live), or coloured **red**.

The **blue wire** must be connected to the terminal marked "N" (neutral), or coloured **black**.

The **green and yellow wire** must be connected to the terminal marked "E" (earth), or by the earth symbol, or coloured **green and yellow**.

- When the connection is completed, no stray strands or cut wire should be present. The cord clamp must be secured over the outer sheath.
- Broken or damaged power leads must only be replaced by a suitably qualified person. A power lead of a similar type must be used in replacement.

Troubleshooting

- ***The microwave will not switch on.***
 - * Check that the appliance has been connected to the mains supply correctly.
 - * Check that the fuse in the moulded plug has not blown.
 - * Check that the fuses in your fuse box have not blown.
 - * If fuses blow on a regular basis, then we would recommend that you consult with a qualified electrician.
 - * Check that there has not been a power cut.

- ***The microwave will not start cooking.***
 - * Check that the door is properly shut.
 - * Check that the door seal and surrounding areas are clean.

- ***The turntable is not turning.***
 - * Check that the rotating base is connected to the drive motor correctly.
 - * Check that the ovenware is not larger than the rotating plate.
 - * Check that the food you are cooking does not extend beyond the rotating plate.
 - Check that there is nothing underneath the rotating base that is preventing it from turning.

- ***The microwave does not switch off.***
 - * Isolate the microwave from your mains supply and then contact the Baumatic Customer Care Department.

- ***The interior light bulb is not working.***
 - * Call the Baumatic Customer Care Department. The interior light bulb can only be replaced by a trained service technician.

- ***My food is not cooking properly.***
 - * Check that the power level and cooking time that you have set, is appropriate for the food that you are cooking.
 - * If you are cooking a double amount of food, then you will normally need to almost double the cooking time.
 - * If the food that you have placed in the cavity is colder than normal, then the power level and cooking time may need to be increased.

- ***I am getting condensation in my oven.***
- * Steam and condensation are a natural by product of cooking in a microwave.
- * Do not leave food in the oven to cool after it has been cooked and the oven has been switched off.
- * Use a covered container, where practical, when cooking to reduce the amount of condensation that forms.
- * You should wipe over any condensation that has formed, as soon as the food has stopped cooking.



IMPORTANT: If your appliance appears not to be operating correctly, then you should disconnect it from your mains supply and then contact Baumatic Customer Care on telephone number (0118) 933 6911.

DO NOT ATTEMPT TO REPAIR THE APPLIANCE YOURSELF.

Please note that if an engineer is asked to attend whilst the product is under guarantee and finds that the problem is not the result of an appliance fault, then you may be liable for the cost of the call out charge.

The appliance must be accessible for the engineer to perform any necessary repair. If your appliance is installed in such a way that an engineer is concerned that damage will be caused to the appliance or your kitchen, then he will not complete a repair.

This includes situations where appliances have been tiled in, sealed in with sealant, have wooden obstructions placed in front of the appliance, like plinths. Or any installation other than the one specified by Baumatic Ltd. has been completed.

Please refer to the conditions of guarantee that appear on the warranty card that you receive with the appliance.

IMPORTANT: Baumatic Ltd. operates a policy of continuous improvement and reserves the right to adjust and modify its products without prior notification.

Baumatic Consumables

- **BC001** Degreaser for Dishwashers (200 g)
- **BC002** Descaler for Washing Machines and Dishwashers (200 g)
- **BC003** Ceramic Hob Cleaner (250 ml)
- **BC004** Oven Cleaner (250 ml)
- **BC005** Stainless Steel Cleaner and Protector (250 ml)
- **BC007** E-Cloth – General Purpose Cloth
- **BC008** Microwave Cover

To order a Baumatic consumable product please call 0123 5437 244 and quote the product code. You can also order online from eshop.baumatic.co.uk



United Kingdom

Baumatic Ltd.,
Baumatic Buildings,
6 Bennet Road,
Reading, Berkshire
RG2 0QX
United Kingdom

Sales Telephone

(0118) 933 6900

Sales Fax

(0118) 931 0035

Customer Care Telephone

(0118) 933 6911

Customer Care Fax

(0118) 986 9124

Spares Telephone

(01235) 437244

Advice Line Telephone

(0118) 933 6933

E-mail:

sales@baumatic.co.uk
customercare@baumatic.co.uk
spares@baumatic.co.uk
technical@baumatic.co.uk

Website:

www.baumatic.co.uk

Facebook:

www.facebook.com/baumatic.uk

Republic of Ireland

Service Telephone

1-890 812 724

Spares Telephone

091 756 771

Czech Republic

Baumatic CR s.r.o.
Lípová 665
460 01 Liberec 4
Czech Republic

+420 483 577 200

www.baumatic.cz

Slovakia

Baumatic Slovakia, s.r.o.
Panenská 34
811 03 Bratislava - Staré Mesto
Slovakia

+421 255 640 618

www.baumatic.sk

Germany

Baumatic GmbH
Bachstr.10-12
D-32 257 Bünde
Deutschland

+49 (0) 5223 99408 0

www.baumatic.de

Italy

Baumatic Italia S.R.L.
Via Galvani N.3
35011 Campodarsego (PD)

+3904 9920 2297

www.baumatic.it

Holland

+31(0)36 549 1553 / 1555

www.baumatic.nl

