

# **Jodale • Perry Corporation**

P.O. Box 909

300 Route 100

Morden, Manitoba, Canada

R6M 1A8

Ph: (204) 822-9100

Fax: (204) 822-9111

Email: admin@jodaleperry.com

## **Operator's Manual**

**This manual must remain with the BOXER ROPS cab:**

**Serial #:** \_\_\_\_\_

**If it is stolen, lost, or misplaced, contact Jodale Perry  
for an immediate replacement prior to operating the tractor.**

New Holland TC45 Series

**BOXER ROPS Cab**

Printed in Canada: 2002/01

# *1.0 Introduction*

We at Jodale Perry are pleased that you have chosen a BOXER ROPS cab for your New Holland TC45 Series tractor. The BOXER cab has evolved through ideas and suggestions submitted to us by customers such as yourself.

We ask that you study this manual and adopt the practices outlined in it.

We ask that for practices and operations not outlined in this manual, you follow the instructions given in the operator's manual supplied with the tractor. Before putting the tractor in service, become familiar with all the information described in both manuals.

Tractor in this manual is defined as the vehicle mounted with BOXER cab (i.e. tractor, mower, etc.)

## 2.0 Safety

Carefully review the procedures given in this manual and the tractor operator's manual with all operators annually. It is important that all operators be familiar with, and follow, safety precautions.

Operating instructions must be given to everyone using the tractor before operation and at least once yearly thereafter in compliance with OSHA Regulations 1928.57 (United States).

### 2.1 General Safety

2.1.1. Never let an unqualified or untrained driver operator operate the tractor.

2.1.2. Keep a fire extinguisher, with ABC rating securely fastened in the cab. Maintain it and be familiar with its use.

2.1.3. Never carry passengers.

2.1.4. Never operator the tractor in a closed building. Provide adequate ventilation. Engine exhaust fumes are poisonous and can kill.

2.1.5. Always keep sleeves, jackets, or other clothing relatively tight, and belted. Loose clothing may catch in moving parts, and result in personal injury or death.

2.1.6. Provide a first-aid kit, securely attached in the cab for use in case of accident.

2.1.7. Never jump from the tractor. There is a danger of catching clothing on protruding parts.

2.1.8. Use steps and handholds when mounting and dismounting the tractor, or for servicing components too high to reach from the ground.

2.1.9. Do not use the cab fender as a step.

2.1.10. Fasten seat belt before starting the engine. If the tractor is not equipped with seat belts, purchase approved seat belts from the tractor manufacturer or Jodale Perry prior to operating the tractor.

2.1.11. Safety devices and shields are intended to protect operators from injury or death. Under no circumstances should they be disabled or removed.

### 2.2 Operating Safety

2.2.1. Always operate the tractor controls while sitting in the operator's seat.

2.2.2. Lock seat in position and buckle seat belt before operating the tractor. If the tractor is not equipped with seat belts, purchase approved seat belts from the tractor manufacturer or Jodale Perry prior to operating the tractor.

2.2.3. Avoid abrupt turns, starts, or stops, especially at high speeds.

2.2.4. Keep all shields in place when operating the tractor.

2.2.5. Do not operate the tractor when you are tired, sick, or impaired.

2.2.6. Never operate the tractor in confined areas; visibility next to the tractor is reduced. Injury to bystanders, or damage to the cab or equipment may result.

## **2.3 Safe Operation in Rough Terrain**

2.3.1. Drive the tractor slowly on hillsides and curves to eliminate the danger of tipping. Avoid slopes which are too steep for safe operation. Avoid sharp uphill turns.

2.3.2. Always drive slowly over rough ground or obstructions. Drive at speeds slow enough to ensure your safety.

2.3.3. When driving out of a ditch, gully, or up a steep hillside, engage the clutch slowly. Avoid sharp uphill turns.

2.3.4. When descending steep grades, select a sufficiently low gear to maintain control with minimum braking.

2.3.5. Use caution when driving near the edge of a ditch or gully. It may cave in, causing the tractor to roll over.

2.3.6. Be especially alert when operating near trees, slopes, and around obstructions.

## **2.4 Maintenance Safety**

2.4.1. Ensure all hose connections are tight, and lines and hoses undamaged. Before disconnecting heater or air conditioner lines, relieve all pressure.

2.4.2. Remove mud, crop residue, chains, and tools from steps and operator's platform. They may interfere with pedal operation or entry/exit from tractor.

2.4.3. When servicing components are too high to reach from the ground use steps and handholds. Do not use fenders or shields that are not designed as steps.

## **2.5 Safe Highway Operation**

2.5.1. Before operating tractor on, or near, public roadways, check with authorities for local regulations.

2.5.2. Equip towed implements with slow moving vehicle (SMV) signs when traveling on public roads.

2.5.3. Install additional lights on implement rear to safeguard against rear end collisions.

2.5.4. Use hazard warning flashers as required by law when transporting or driven on public roads. If the tractor warning flashers were removed when mounting the cabm they must be replaced prior to operation on public roads.

2.5.5. Keep to the right, yielding right-of-way traffic, especially when pulling implements. Pull off the road and stop to allow motorists to pass. Drive on the road shoulder, if permitted by law.

2.5.6. Use extreme caution when pulling heavy loads at road speeds. Avoid hard application of the tractor brakes at high speed.

2.5.7. Always drive slowly near curbs, approaches, or ditches.

2.5.8. Ensure headlights are aligned so they will not blind the operator's of oncoming vehicles. If the tractor is not equipped with turn signals, and law requires them, install them prior to operating on or near public roads.

2.5.9. Use your turn signals, checking for traffic well in advance of turning. If the

tractor is not equipped with turn signals, and law requires them, install them prior to operating on or near public roads.

## **2.6 Safety decals**

2.6.1. Keep decals clean. Remove dirt with a wet clean cloth when necessary.

2.6.2. Replace safety decals if destroyed, missing, painted over, or unreadable. IF the tractor safety decals are covered, or obscured when the cab is mounted, purchase replacement decals from the tractor manufacturer. Mount them in a readable location at, or near, their original location before operating the tractor.

2.6.3. New BOXER cab decals and tractor decals are available from your tractor dealer.

## **2.7 ROPS Cab Safety**

2.7.1. Install the ROPS in accordance with Jodale Perry mounting instructions. Failure to do so may affect the cab's ability to withstand a roll over.

2.7.2. If the ROPS cab is subjected to alteration, structural damage, or involved in an over turn accident, the entire structure must be replaced. Failure to do so may result in injury or death in the event of a roll over.

2.7.3. If the tractor is not equipped with seat belts, purchase approved seat belts from the tractor manufacturer prior to operating the tractor.

2.7.4. Always fasten seat belts prior to operating the tractor.

2.7.5. Always operate the tractor from the operator's seat.

2.7.6. Remove mud, crop residue, chains, and tools from steps and operator's platform. They may interfere with pedal operation or entry/exit from the tractor.

2.7.7. Remove all loose chains, tools, and equipment from the cab. Failure to do so may cause injury or death in the event of a roll over.

2.7.8. Do not install the cab on a tractor model that the cab is not designated for (tractor designation is printed on the cab serial number plate). Installing the cab on a non-designated tractor may result in injury or death.

## **2.8 Emergency Exits**

The typical BOXER cab has two exits which may be used in an emergency: left side door, and right escape window.

### *Right Escape Window Exit:*

Lift the window latch arm and push the window out until the slot in the top surface of the latch arm is over the latch arm pin. Push the latch arm down and away from the pin. Now push the escape window to a full open position. Familiarize operators with the emergency escape window exit prior to operating the tractor.

The full open position of the escape window is for emergency exits only. Do not leave the escape window in the full open position for normal operation of the tractor. The escape window may swing back and break against the side window.

# 3.0 Operating Instructions

## IMPORTANT

The following section locates, identifies, and briefly describes the functions of all cab controls. All operators should familiarize themselves with control location and function prior to operating the tractor. Failure to do so may result in unsafe operation of the tractor and possible injury or death to operators and bystanders.

### 3.1 Left Switchplate Controls

The left switchplate is located on the headliner console left which directly faces the operator.

#### 1. Front Worklight Switch (optional)

Rocker switch

Low position: Off

High Position: On

#### 2. Rear Worklight Switch (optional)

Rocker switch

Low position: Off

High position: On

#### 3. Front Wiper Switch (standard)

Rocker switch

Low position: Low

Centre position: Off

High position: Washer\*

\* if equipped with windshield washer option only/momentary switch otherwise

#### 4. Rear Wiper Switch (optional)

Rocker switch

Low position: Low

Centre position: Off

High position: Washer\*

\* if equipped with windshield washer option only/momentary switch otherwise

#### 5. Heater Switch (optional)

Rotating switch

Set position: Off

Heating position: As knobs turns counter-clockwise, temperature rises

#### 6. Fan Switch (optional)

Rotating switch

Set position: Off

First position: Low

Second position: Medium

Third position: High

#### 7. Air Conditioner Switch (optional)

Rotating switch

Set position: Off

First position:	Low	Low position:	Off
Second position:	Medium	High position:	On
Third position:	High	<b>2. Louvers (optional)</b>	

### **8. Auxiliary Heater Pump (optional)**

Push button switch

In position: On

Out position: Off

The louvers are located on the lower fascia of the headliner console. They are adjustable to direct air flow where required.

## **3.2 Right Switchplate Controls**

The right switchplate is located on the headliner right side of the console which faces the operator at an angle

### **1. Hazard/Beacon Switch (optional)**

Rocker switch

Low position: Off

High position: On

### **2. Turn Signal Lever (optional)**

Left position: Left

Right position: Right

## **3.3 Other Controls**

### **1. Domelight (standard)**

The domelight is located in the right rear corner of the headliner console. It is adjustable to direct light where required.

Rocker switch

## 4.0 *Post-Mounting Instructions*

Before starting a tractor equipped with a BOXER cab:

1. Clear the cab and tractor of all tools. Tools left in or around the cab and tractor can cause operator interference which could lead to bodily injury and/or damage to the machine.
2. Inspect the cab and tractor to ensure all bolts, screws, and heater connections are tight.
3. Ensure that all pedals, levers, and controls have adequate clearance for normal operation.
4. Ensure that all electrical components of both the cab and tractor operates normally.

Start the tractor and run standing at idle for a few minutes. Operate all pedals, levers, and controls checking for adequate cab clearance. Then run standing at PTO rpm speed for approximately five minutes and stop the tractor.

1. Inspect the heaters connections for leaks. Tighten as required.
2. Ensure that the water level in the tractor is to the required specification.



## 5.0 *Trouble Shooting*

In the following section, Jodale Perry has listed many of the problems, main causes, and practical solutions to the problems you may encounter. If you encounter a problem that is difficult to solve, contact your Jodale Perry dealer.

<b>Problem</b>	<b>Cause</b>	<b>Solution</b>
Poor air circulation	Plugged air filter	Clean or replace air filter
Too little heat	Air lock in system	Bleed air out of system
	Poor motor circulation	Install auxiliary pump
Poor wiper coverage	Wipe angle too narrow	Increase wipe angle on motor
Wiper blade contacts cab frame	Wipe angle too wide	Decrease wiper angle on motor

## **MAINTENANCE**

### **ALWAYS USE GENUINE PARTS WHEN REPLACEMENT PARTS ARE REQUIRED.**

1. Keep the tractor and cab properly maintained.
2. Park the tractor/cab on level ground, place the transmission in neutral, set the parking brake, disengage the PTO, lower all tractor attachments to the ground, place all control levers in neutral, shut off the engine and remove the ignition key and allow all moving parts to stop BEFORE making any tractor/cab adjustments.
3. To avoid injury, do not adjust, unblock the driving system, or service the cab with the tractor engine running. Make all moving parts have completely stopped before leaving the operator's seat.
4. Keep the tractor/cab clean. Snow, dirt, or ice build-up can lead to malfunction or personal injury from thawing and refreezing in the garage.
5. Always wear eye protection when cleaning or servicing the cab.
6. DO NOT service the tractor while the engine is running or hot, or if the unit is in motion. Always lower tractor attachments to the ground. If necessary to service attachments in raised position, securely support with stands or suitable blocking before working underneath. Do not rely on hydraulically supported devices for your safety. They can settle suddenly, leak down, or be accidentally lowered.
7. Do not attempt to service machine, clear obstructions, or unclog drive system with the engine running. Always shut off engine and allow all motion to cease.
8. The manufacturer will not claim responsibility for fitment of unapproved parts and/or accessories and any damages as a result of their use.
9. Make sure all shields and guards are securely in place following all service, cleaning, or repair work.
10. Do not modify or alter cab or any of its components or operating functions. If you have any questions concerning modifications, consult with your dealer.
11. Do not operate a cab that is defective or has missing parts. Make sure all recommended maintenance procedures are completed before operating cab.
12. Check all controls regularly and adjust where necessary. Make sure that the brakes are evenly adjusted.
13. Periodically check all nuts and bolts for tightness, especially wheel hub and rim nuts.
14. To avoid serious personal injury: Escaping hydraulic/diesel fluid under pressure can penetrate the skin causing serious injury. Do not use your hands to check for leaks. Use a piece of cardboard or paper to search for leaks.
15. Stop engine and relieve pressure before connecting or disconnecting hydraulic hoses. Tighten all connections before starting engine or pressurizing hoses.
16. Ensure cab hinges are properly lubricated. If hinges are closing hard, or partially seized, lubrication is required. Remove door/escape window/side vent windows to grease each part of the hinge separately. This should occur semi-annually.

## 6.0 Assembly

The following section consists of component breakdowns of the standard and optional parts contain in the Jodale Perry BOXER TC45 cab. For your convenience, part numbers have been assigned to those items, which may be ordered from Jodale Perry. If a required item doesn't have a part number associated with it, the part, with an associated part number, which contains that item must be ordered.

NOTE:

Each figure is only a general depiction of a cab and its components, and may not appear exactly the same as the cab you have received.

Figure key:

A/R	-as required
LF	-linear foot
SF	-square foot
TU	-tube
U	-unit

NOTE: Trim Rubber  
Not Shown on Glass

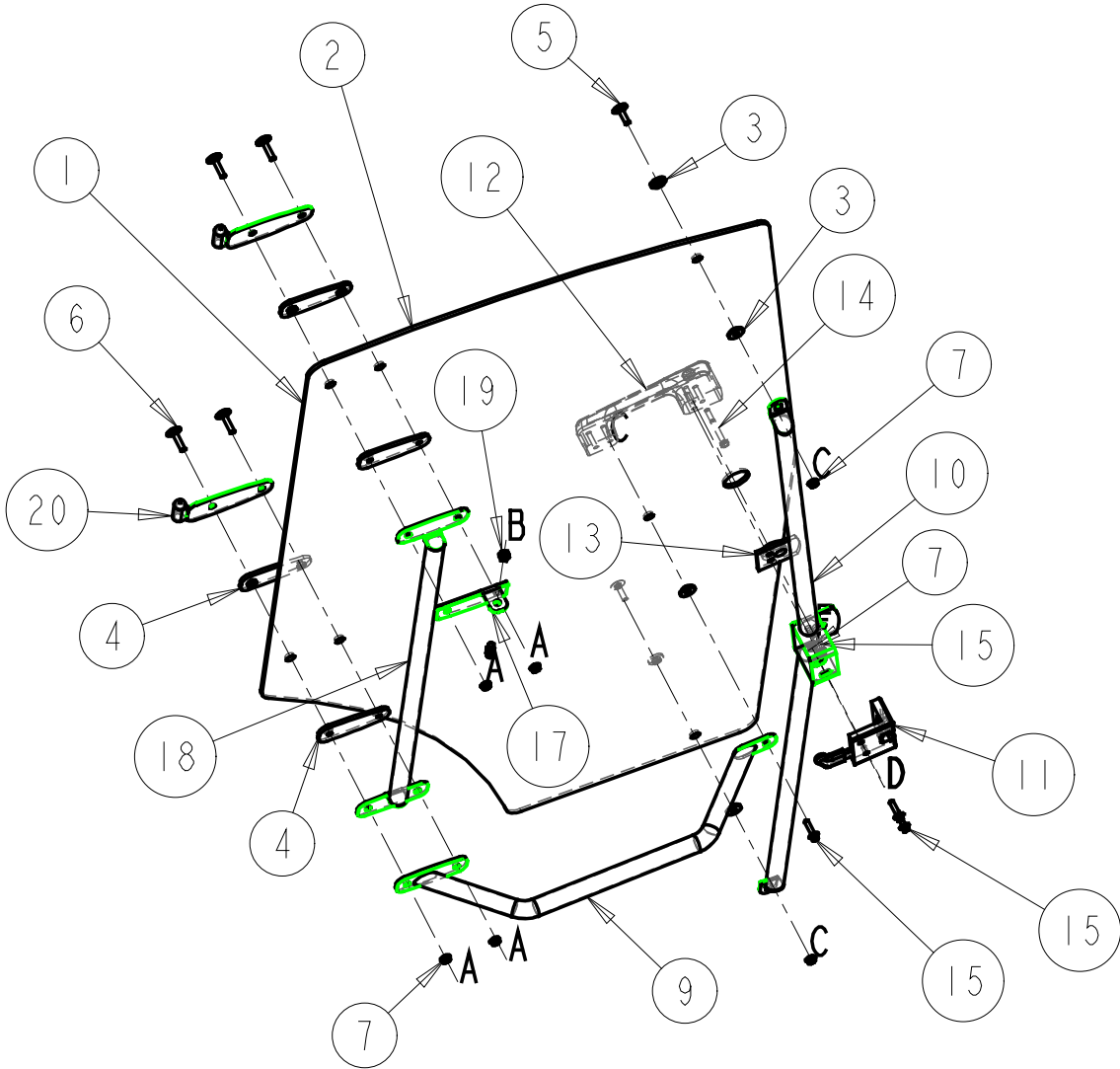


Figure	Door Assembly
--------	---------------

NOTE: Pinch welt  
is not shown on glass

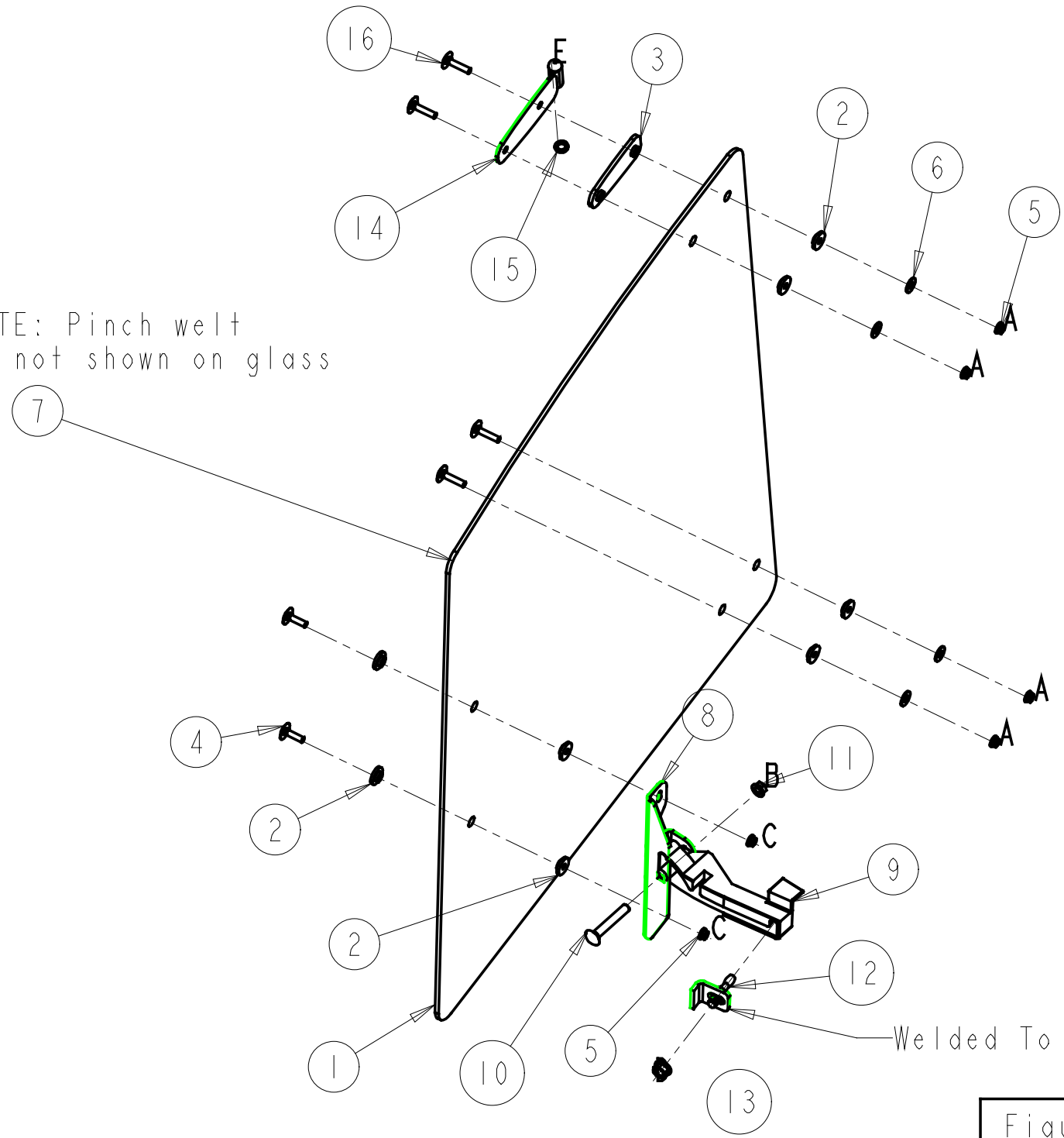
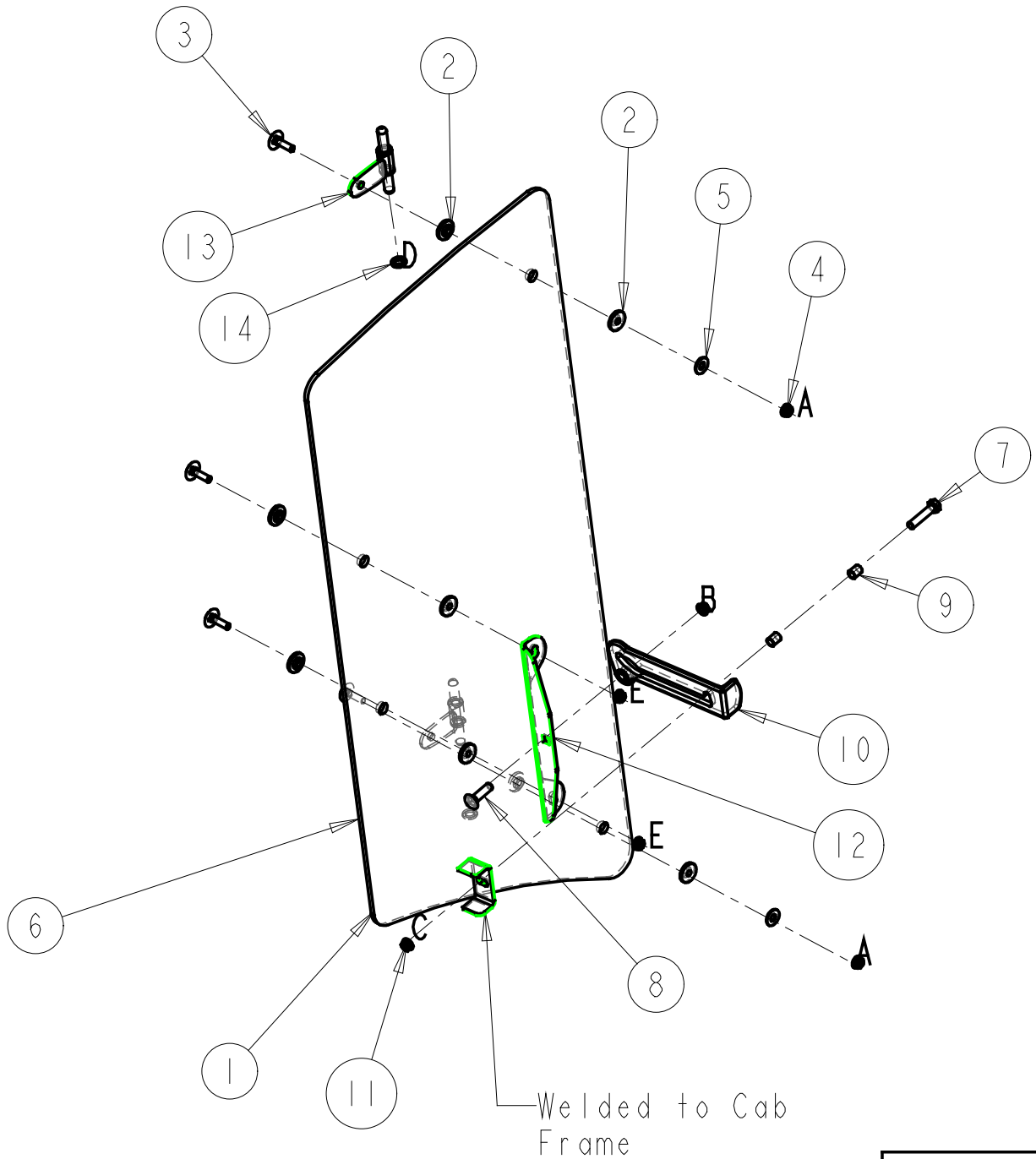
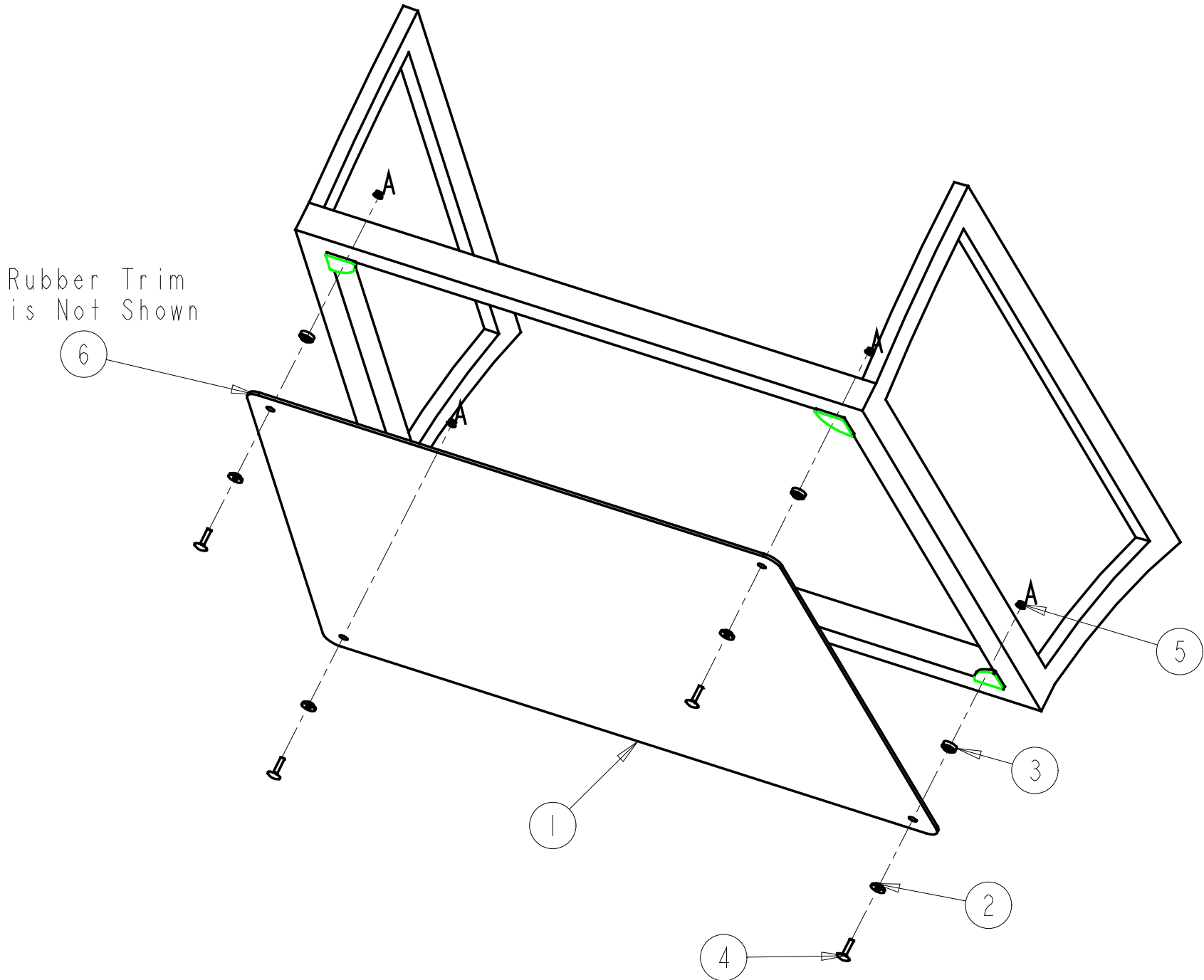


Figure	Escape Window
--------	---------------



SCALE 0.150

Figure	Boxer Side Window
--------	-------------------



Rubber Trim  
is Not Shown

6

1

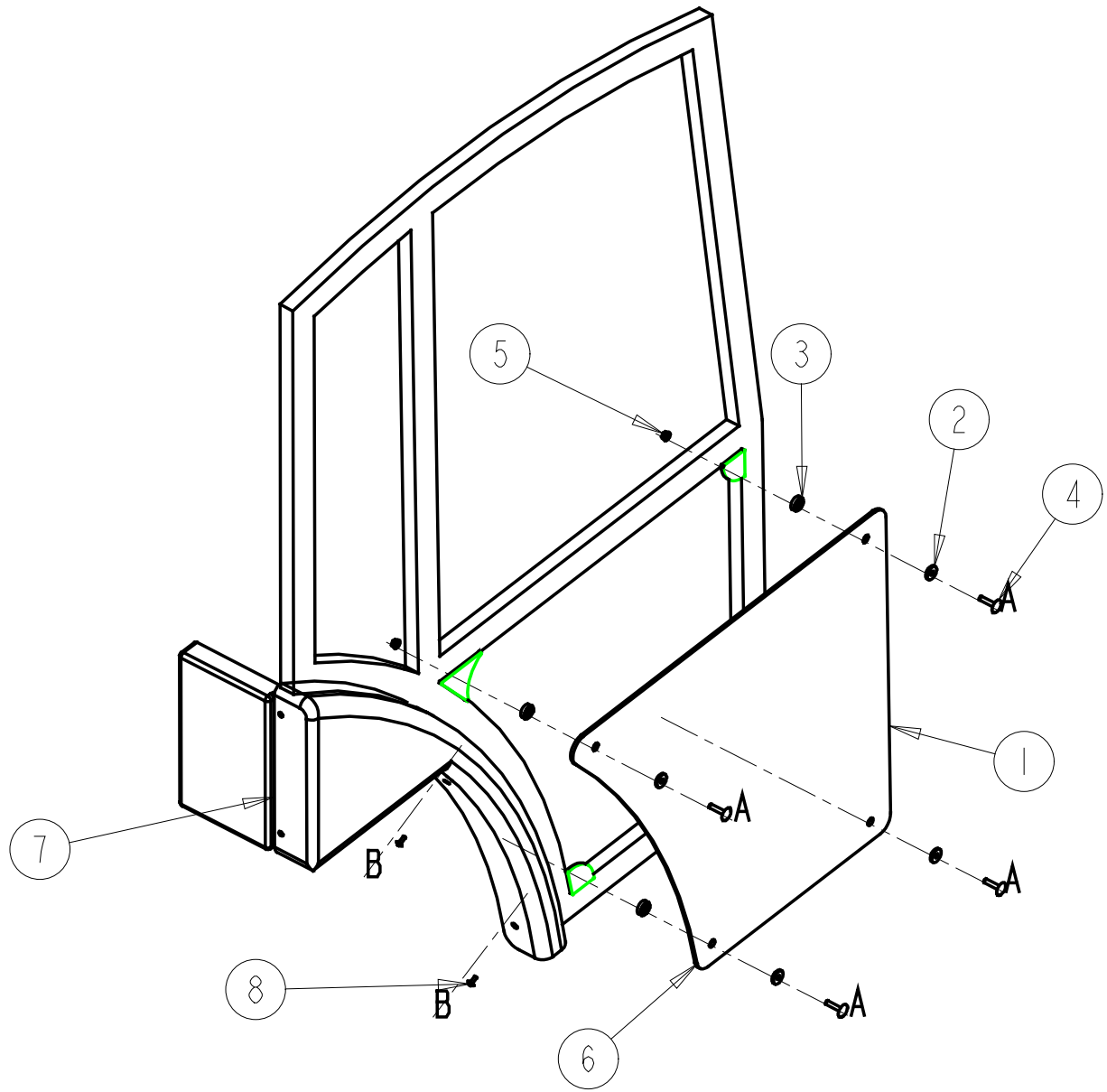
4

2

3

5

Figure Boxer Rear Window



NOTE: Pinch welt  
not shown on glass

Figure	Lower Right
--------	-------------



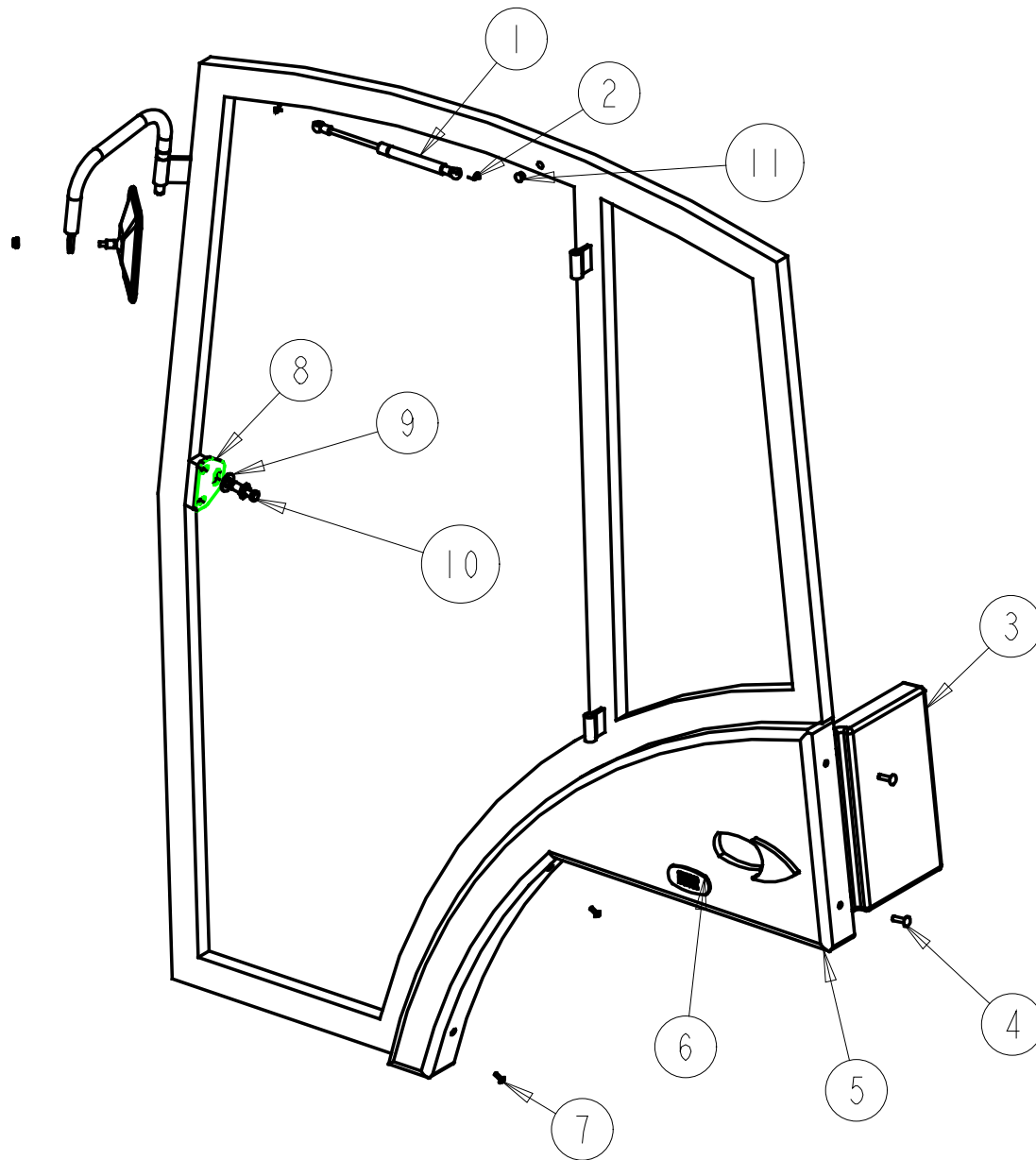


Figure Left Side Figure

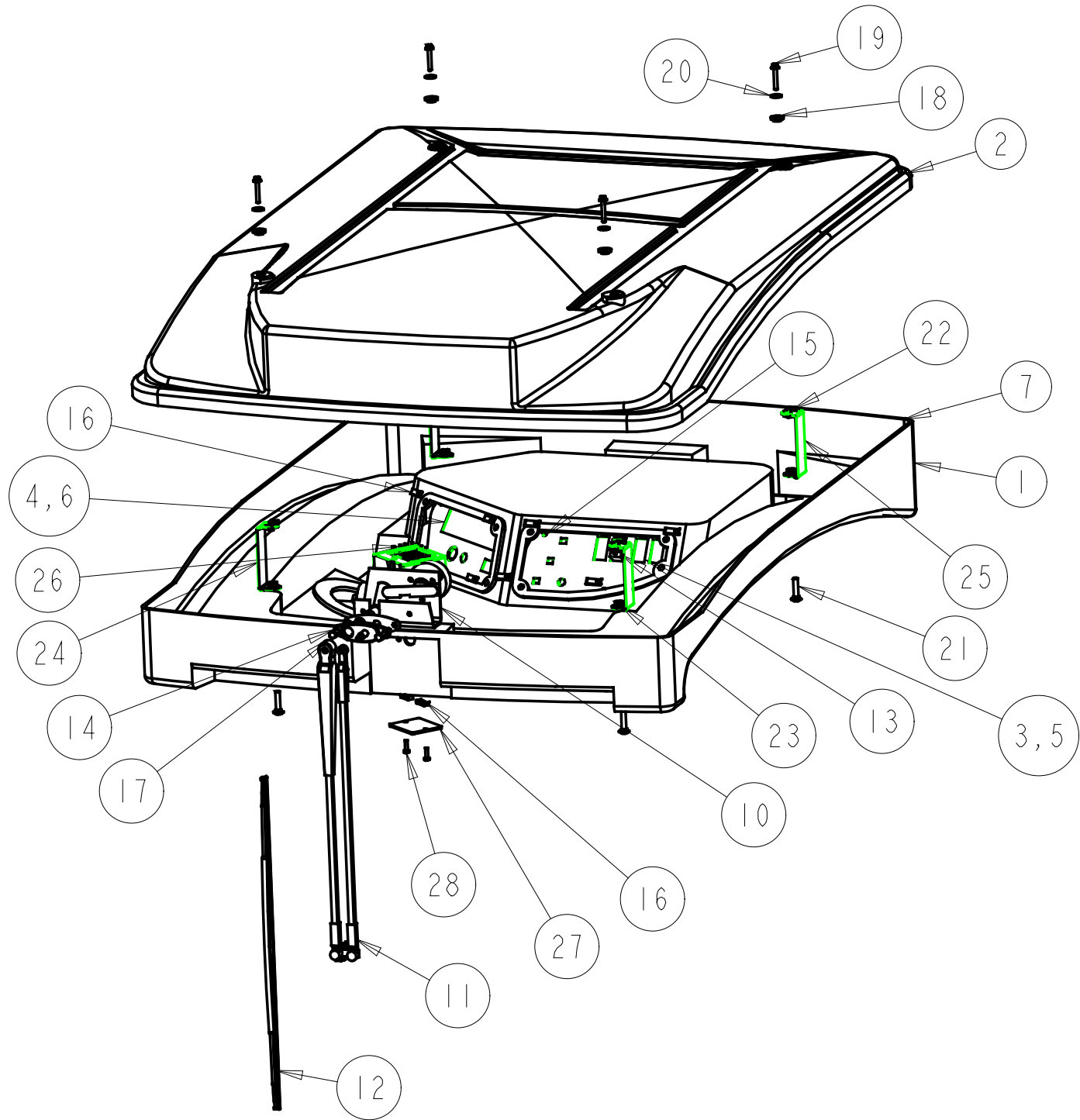


Figure	Headliner/Roof
--------	----------------

New Holland TC45

Item #	JDP Part #	Assembly	Sub-Assembly	Description	Material Description	Qty.	Size	Unit
		ROPS Cab Bracket/Fasteners Loose Panels						
	100114			Cab Mount Fasteners	Bolt, Flange, 5/8" x 3", Gr. 8, Yellow Dichrome	4	1.000	U
	100050			Cab Mount Fasteners	Nut, Hex, 5/8", Gr. 8, Yellow Dichrome	4	1.000	U
	100115			Cab Mount Fasteners	Washer, Flat, 5/8"	4	1.000	U
	100047			Cab Mount Fasteners	Washer, Rubber, Flat, 3/4" x 2 1/2"	4	1.000	U
	100048			Cab Mount Fasteners	Washer, Lock, 5/8"	4	1.000	U
	100046			Cab Isolator Mount	Isolator, Rubber, 3/4" x 2 1/2" x 1"	4	1.000	U
	100541			Front Bracket Mower Spacer	Bar, Flat, 1/2" x 2"	2	1.000	U
	100542			Left Front Loader Spacer	Weldment	1	1.000	U
	100543			Right Front Loader Spacer	Weldment	1	1.000	U
	100539			Left Front Cab Bracket	Weldment	1	1.000	U
	100540			Right Front Cab Bracket	Weldment	1	1.000	U
	100544			Front Bracket Fasteners	Bolt, Hex, M16 x 2.0 x 100MM, Yellow Dichrome, Gr. 10.8	8	1.000	U
	100048			Front Bracket Fasteners	Washer, Lock, 5/8"	8	1.000	U
	100536			Left Rear Cab Bracket	Weldment	1	1.000	U
	100537			Right Rear Cab Bracket	Weldment	1	1.000	U
	100538			Rear Bracket Fasteners	Bolt, Carriage, 5/8" x 3 1/2", Yellow Dichrome, Gr. 8	6	1.000	U
	100050			Rear Bracket Fasteners	Nut, Hex, 5/8", Gr. 8, Yellow Dichrome	6	1.000	U
	100048			Rear Bracket Fasteners	Washer, Lock, 5/8"	6	1.000	U
	100545			Left Lower Hood Shield	Sheet, 14GA	1	1.000	U
	100424			Left Brake Shield	Sheet, 14GA	1	1.000	U
	100425			Right Hydrostatic Pedal Shield	Sheet, 14GA	1	1.000	U
	100546			Right Lower Hood Shield	Sheet, 14GA	1	1.000	U
	100401			Shield Fasteners	Bolt, Flange, 1/4" x 3/4", Yellow Dichrome	14	1.000	U
	100223			Shield Fasteners	Nut, Flange, 1/4", Macro-Black	14	1.000	U
Item #	JDP Part #	Assembly	Sub-Assembly	Description	Material Description	Qty.	Size	Unit
		Upper/Lower Front Glass Assembly						
	100341			Windshield Glass	Glass, Tempered, 5MM, Green Tint, Bent	1	1.000	U
	100358			Glass Weatherstrip	Rubber, Clip-on, Double Bulb	1	12.192	LF
	100382			Window Glass Bushing	Bushing, Rubber, 5MM	4	1.000	U
	100381			Window Glass Bushing	Bushing, Rubber, 8MM	4	1.000	U
	100383			Glass Fastener	Bolt, Step, 1/4" x 1 1/4", Macro-black	4	1.000	U
	100223			Glass Fastener	Nut, Flange, 1/4", Macro-black	4	1.000	U
	100348			Lower Front Glass	Glass, 5MM, Clear, Tempered	2	1.000	U
	100358			Glass Weatherstrip	Rubber, Clip-on, Double Bulb	2	5.225	LF

New Holland TC45

	100382			Window Glass Bushing	Bushing, Rubber, 5MM	4	1.000	U
	100381			Window Glass Bushing	Bushing, Rubber, 8MM	4	1.000	U
	100383			Glass Fastener	Bolt, Step, 1/4" x 1 1/4", Macro-black	4	1.000	U
	100223			Glass Fastener	Nut, Flange, 1/4", Macro-black	4	1.000	U
<b>Item #</b>	<b>JDP Part #</b>	<b>Assembly</b>	<b>Sub-Assembly</b>	<b>Description</b>	<b>Material Description</b>	<b>Qty.</b>	<b>Size</b>	<b>Unit</b>
		Left Door Assembly						
1	100342			Door Glass	Glass, Tempered, 5MM, Greylite Tint	1	1.000	U
2	100358			Glass Weatherstrip	Rubber, Clip-on, Double Bulb	1	15.400	LF
3	100382			Window Glass Bushing	Bushing, Rubber, 5MM	5	1.000	U
4	100362			Boxer Door Glass Bushing	Bushing, Rubber, 5MM, Inj-Molded, 3" Hole Centre	4	1.000	U
5	100003			Glass Fastener	Bolt, Step, 1/4" x 1", Macro-black	2	1.000	U
6	100635			Glass Fastener	Bolt, Step, 1/4" x 1 1/2", Macro-black	4	1.000	U
7	100223			Glass Fastener	Nut, Flange, 1/4", Macro-black	6	1.000	U
9	100518			Door Grab Bar Weldment	Weldment	1	1.000	U
10	100519			Left Door Latch Weldment	Weldment	1	1.000	U
	100366			Gas Shock Stud	Stud, 10mm	2	1.000	U
11	100006			Door Latch	Latch, Door, Interior, Left	1	1.000	U
12	100009			Door Push Button Handle	Handle, Exterior, Black	1	1.000	U
13	100011			Door Gasket	Rubber, Injection Molded	1	1.000	U
14	100369			Push Button Hande Extension Bolt	Bolt, Hex, 1/4" x 2 1/2" UNC, Plated	1	1.000	U
15	100007			Door Latch Fasteners	Bolt, Flange, M6 x 1.0 x 25MM, Yellow Dichrome	5	1.000	U
16	100008			Door Latch Fasteners	Nut, Flange, M6, Yellow Dichrome	2	1.000	U
19	100005			Gas Shock Stud Fastener	Nut, Serrated, Flange, 5/16", Yellow Dichrome	1	1.000	U
17	100368			Left Gas Shock Mount Plate	Plate, 3/16"	1	1.000	U
18	100520			Door Hinge Support Weldment	Weldment	1	1.000	U
20	100377			Left Door Hinge Weldment	Hinge, Weldment	2	1.000	U
	100026			Hinge Brass Flat Washer	Washer, Brass	2	1.000	U
<b>Item #</b>	<b>JDP Part #</b>	<b>Assembly</b>	<b>Sub-Assembly</b>	<b>Description</b>	<b>Material Description</b>	<b>Qty.</b>	<b>Size</b>	<b>Unit</b>
		Right Escape Window Assembly						
1	100345			Escape Window Glass	Glass, 5MM, Tinted, Tempered	1	1.000	U
2	100382			Window Glass Bushing	Bushing, Rubber, 5MM	8	1.000	U
3	100362			Boxer Window Glass Bushing	Bushing, Rubber, 5MM, Injection-Molded, 3" Hole Centre	2	1.000	U
4	100003			Glass Fastener	Bolt, Step, 1/4" x 1", Macro-black	2	1.000	U
5	100223			Glass Fastener	Nut, Flange, Serrated, 1/4", Macro-black	6	1.000	U
6	100380			Glass Fastener	Washer, Flat, 1/4"Wide, Yellow Dichrome	4	1.000	U
7	100358			Glass Weatherstrip	Rubber, Clip-on, Double Bulb, 1/4"	1	11.367	LF

New Holland TC45

8	100385			Window Arm Bracket	Sheet, 10GA	1	1.000	U
9	100017			Window Arm	Handle, Window Arm, Right	1	1.000	U
10	100386			Window Latch Fastener	Bolt, Carriage, 3/8" x 2 1/2", Yellow Dichrome	1	1.000	U
11	100018			Window Latch Fastener	Nut, Serrated, Flange, 3/8", Yellow Dichrome	1	1.000	U
12	100019			Window Arm Pin	Pin, Window Arm	1	1.000	U
13	100020			Window Latch Stud Fastener	Nut, Flange, M10 x 1.5	1	1.000	U
14	100378			Right Door Hinge Weldment	Hinge, Weldment	2	1.000	U
15	100026			Hinge Brass Flat Washer	Washer, Brass	2	1.000	U
16	100383			Glass Fastener	Bolt, Step, 1/4" x 1 1/4", Macro-black	4	1.000	U
<b>Item #</b>	<b>JDP Part #</b>	<b>Assembly</b>	<b>Sub-Assembly</b>	<b>Description</b>	<b>Material Description</b>	<b>Qty.</b>	<b>Size</b>	<b>Unit</b>
		Left Side Window Assembly						
1	100343			Side Glass	Glass, Tempered, 5MM, Greylite Tint	1	1.000	U
2	100382			Window Glass Bushing	Bushing, Rubber, 5MM	8	1.000	U
3	100003			Glass Fastener	Bolt, Step, 1/4" x 1", Macro-black	4	1.000	U
4	100223			Glass Fastener	Nut, Flange, 1/4", Macro-black	4	1.000	U
5	100380			Glass Fastener	Washer, Flat, 1/4"Wide, Yellow Dichrome	2	1.000	U
6	100358			Glass Weatherstrip	Rubber, Clip-on, Double Bulb	1	9.167	LF
7	100376			Side Window Slide Bolt	Bolt, Hex, 5/16" x 1 1/2", Yellow Dichrome	1	1.000	U
8	100374			Pin Slide Bolt	Bolt, Carriage, 5/16" x 1", Yellow Dichrome	1	1.000	U
9	100033			Latch Bushing	Bushing, Latch	2	1.000	U
10	100027			Window Latch Slider	Latch, Left, Interior	1	1.000	U
11	100005			Window Latch Pin Nut	Nut, Serrated, Flange, 5/16", Yellow Dichrome	2	1.000	U
12	100521			Side Window Arm Bracket	Sheet, 10GA	1	1.000	U
13	100379			Side Window Hinge Weldment	Hinge, Weldment	2	1.000	U
14	100026			Hinge Brass Flat Washer	Washer, Brass	4	1.000	U
<b>Item #</b>	<b>JDP Part #</b>	<b>Assembly</b>	<b>Sub-Assembly</b>	<b>Description</b>	<b>Material Description</b>	<b>Qty.</b>	<b>Size</b>	<b>Unit</b>
		Right Side Window Assembly						
	100343			Side Glass	Glass, Tempered, 5MM, Greylite Tint	1	1.000	U
	100382			Window Glass Bushing	Bushing, Rubber, 5MM	8	1.000	U
	100003			Glass Fastener	Bolt, Step, 1/4" x 1", Macro-black	4	1.000	U
	100223			Glass Fastener	Nut, Flange, 1/4", Macro-black	4	1.000	U
	100380			Glass Fastener	Washer, Flat, 1/4"Wide, Yellow Dichrome	2	1.000	U
	100358			Glass Weatherstrip	Rubber, Clip-on, Double Bulb	1	9.167	LF
	100376			Side Window Slide Bolt	Bolt, Hex, 5/16" x 1 1/2", Yellow Dichrome	1	1.000	U
	100374			Pin Slide Bolt	Bolt, Carriage, 5/16" x 1", Yellow Dichrome	1	1.000	U
	100033			Latch Bushing	Bushing, Latch	2	1.000	U

New Holland TC45

	100028			Window Latch Slider	Latch, Right, Interior	1	1.000	U
	100005			Window Latch Pin Nut	Nut, Serrated, Flange, 5/16", Yellow Dichrome	2	1.000	U
	100521			Side Window Arm Bracket	Sheet, 10GA	1	1.000	U
	100379			Side Window Hinge Weldment	Hinge, Weldment	2	1.000	U
	100026			Hinge Brass Flat Washer	Washer, Brass	4	1.000	U
<b>Item #</b>	<b>JDP Part #</b>	<b>Assembly</b>	<b>Sub-Assembly</b>	<b>Description</b>	<b>Material Description</b>	<b>Qty.</b>	<b>Size</b>	<b>Unit</b>
		Upper/Lower Rear Window Assembly						
1	100329			Upper Rear Glass	Glass, Tempered, 5MM, Greylite Tint	1	1.000	U
2	100382			Window Glass Bushing	Bushing, Rubber, 5MM	4	1.000	U
3	100381			Window Glass Bushing	Bushing, Rubber, 8MM	4	1.000	U
4	100383			Glass Fastener	Bolt, Step, 1/4" x 1 1/4", Macro-black	4	1.000	U
5	100223			Glass Fastener	Nut, Flange, 1/4", Macro-black	4	1.000	U
6	100358			Upper Glass Weatherstrip	Rubber, Clip-on, Double Bulb	1	13.383	LF
	100347			Lower Rear Glass	Glass, Tempered, 5MM, Greylite Tint	1	1.000	U
	100382			Window Glass Bushing	Bushing, Rubber, 5MM	4	1.000	U
	100381			Window Glass Bushing	Bushing, Rubber, 8MM	4	1.000	U
	100383			Glass Fastener	Bolt, Step, 1/4" x 1 1/4", Macro-black	4	1.000	U
	100223			Glass Fastener	Nut, Flange, 1/4", Macro-black	4	1.000	U
	100358			Lower Glass Weatherstrip	Rubber, Clip-on, Double Bulb	1	5.408	LF
<b>Item #</b>	<b>JDP Part #</b>	<b>Assembly</b>	<b>Sub-Assembly</b>	<b>Description</b>	<b>Material Description</b>	<b>Qty.</b>	<b>Size</b>	<b>Unit</b>
		Lower Right Window Assembly						
1	100346			Lower Right Glass	Glass, Tempered, 5MM, Greylite Tint	1	1.000	U
2	100382			Window Glass Bushing	Bushing, Rubber, 5MM	4	1.000	U
3	100381			Window Glass Bushing	Bushing, Rubber, 8MM	4	1.000	U
4	100383			Glass Fastener	Bolt, Step, 1/4" x 1 1/4", Macro-black	4	1.000	U
5	100223			Glass Fastener	Nut, Flange, 1/4", Macro-black	4	1.000	U
6	100358			Glass Weatherstrip	Rubber, Clip-on, Double Bulb	1	9.533	LF
7	100441			Body Panel Fastener	Screw, Button Head, 1/4" x 1", Macro-black	1	1.000	U
8	100443			Body Panel Fastener	Screw, Pan Head, #8 x 3/4", Macro-black	3	1.000	U
	100442			Body Panel Fastener	Screw, Button Head, 1/4" x 1 1/4", Macro-black	1	1.000	U
	100223			Body Panel Fastener	Nut, Flange, 1/4", Macro-black	2	1.000	U
9	100525			Right Rear Body Panel	Plastic, Luran-S, 0.188"W, New Holland Blue	1	1.000	U
10	100524			Right Side Body Panel	Plastic, Luran-S, 0.188"W, New Holland Blue	1	1.000	U
<b>Item #</b>	<b>JDP Part #</b>	<b>Assembly</b>	<b>Sub-Assembly</b>	<b>Description</b>	<b>Material Description</b>	<b>Qty.</b>	<b>Size</b>	<b>Unit</b>
		Left Side Figure						
1	100365			Gas Shock	Shock, 40LB	1	1.000	U

New Holland TC45

2	100367			Gas Shock End Clip	Clip, Spring	2	1.000	U
3	100523			Left Rear Body Panel	Plastic, Luran-S, 0.188"W, New Holland Blue	1	1.000	U
4	100441			Body Panel Fastener	Screw, Button Head, 1/4" x 1", Macro-black	1	1.000	U
5	100522			Left Side Body Panel	Plastic, Luran-S, 0.188"W, New Holland Blue	1	1.000	U
6	100547			DomeTag BOXER Logo	Sticker, Logo, Large, Blue	1	1.000	U
7	100443			Body Panel Fastener	Screw, Pan Head, #8 x 3/4", Macro-black	3	1.000	U
	100442			Body Panel Fastener	Screw, Button Head, 1/4" x 1 1/4", Macro-black	1	1.000	U
	100223			Body Panel Fastener	Nut, Flange, 1/4", Macro-black	2	1.000	U
8	100012			Striker Plate	Plate, 3/16"	1	1.000	U
9	100431			Striker Pin Washer Spacer	Washer, 1/2", Gr. 8	1	1.000	U
10	100013			Striker Pin	Pin, Striker	1	1.000	U
	100384			Striker Plate Fasteners	Bolt, Flange, 1/4" x 1/2", Yellow Dichrome	2	1.000	U
11	100478			Lift Hole Plug Buttons	Button, Plug, 3/8" Diam	2	1.000	U
	100014			Striker Pin Nut	Nut, Striker	1	1.000	U
<b>Item #</b>	<b>JDP Part #</b>	<b>Assembly</b>	<b>Sub-Assembly</b>	<b>Description</b>	<b>Material Description</b>	<b>Qty.</b>	<b>Size</b>	<b>Unit</b>
		Headliner/Roof Assembly						
1	100526			Headliner	Plastic, Luran-S, Black, 0.188"W, Sand Finish	1	1.000	U
2	100527			Roof	Plastic, Luran-S, 0.188"W, New Holland Blue	1	1.000	U
3	100457			Boxer Switchplate	Sheet, 14GA	1	1.000	U
4	100458			Boxer Stereo Plate	Sheet, 14GA	1	1.000	U
5	100459			Boxer Switchplate Decal	Decal, Lexan	1	1.000	U
6	100460			Boxer Stereo Plate Decal	Decal, Lexan	1	1.000	U
7	100530			Headliner Weatherstrip	O-Rubber, Clip-on, 180°, 1/4" Throat	1	20.167	LF
	100548			DomeTag BOXER Logo	Sticker, Logo, Small, Blue	1	1.000	U
8	100253			Fuse Block Ground Wire Fastener	Nut, Hex, 10-24, Plated	1	1.000	U
10	100481			Front Wiper Motor Assembled	WWJ Motor, Drive Arm, Pivot Shaft, 1 1/4"	1	1.000	U
11	100535			Front Wiper Arm, Pantograph	Arm, Pantograph, 18"	1	1.000	U
12	100533			Front Wiper Blade	Blade, Wiper, 16"	1	1.000	U
13	100480			Front Wiper Switch	Switch, Rocker, On/Off/Momentary	1	1.000	U
14	100532			Pantograph Mount Plate	Mount, Pantograph	1	1.000	U
15	100477			Switchplate Fasteners	Screw, Button Head, 10-24 x 3/4", Macro-black	4	1.000	U
16	100475			Switchplate Fasteners	Nut, Panel, 10-24	4	1.000	U
15	100477			Stereo Plate Fasteners	Screw, Button Head, 10-24 x 3/4", Macro-black	4	1.000	U
16	100475			Stereo Plate Fasteners	Nut, Panel, 10-24	4	1.000	U
17	100482			Front Wiper Fastener	Bolt, Hex, 1/4" x 2", UNF, Plated	2	1.000	U
18	100382			Window Glass Bushing	Bushing, Rubber, 5MM	4	1.000	U

New Holland TC45

19	100479			Upper Roof Bolt	Bolt, Flange, 1/4" x 1 1/2", Yellow Dichrome	4	1.000	U
20	100380			Roof Fastener Flat Washer	Washer, Flat, 1/4"Wide, Yellow Dichrome	4	1.000	U
21	100489			Lower Roof Bolt	Bolt, Carriage, 5/16" x 1 1/2", Yellow Dichrome	4	1.000	U
22	100042			Roof Fastener Nuts	Nut, Extruded, Panel, 1/4"	4	1.000	U
23	100005			Roof Fastener Nuts	Nut, Flange, Serrated, 5/16", Yellow Dichrome	4	1.000	U
24	100487			Front Roof Coupler Panel	Sheet, 14GA	2	1.000	U
25	100488			Rear Roof Coupler Panel	Sheet, 14GA	2	1.000	U
26	100453			Fuse Block	Block, Fuse, 4-Port	2	1.000	U
27	100476			Fuse Block Access Panel	Plastic, Luran-S, Black, 0.220"W, Sand Finish	1	1.000	U
28	100486			Fuse Block Access Panel Fasteners	Screw, Nylon, Thumb, 10-24	2	1.000	U
16	100475			Fuse Block Nut Fastener	Nut, Panel, 10-24	2	1.000	U
<b>Item #</b>	<b>JDP Part #</b>	<b>Assembly</b>	<b>Sub-Assembly</b>	<b>Description</b>	<b>Material Description</b>	<b>Qty.</b>	<b>Size</b>	<b>Unit</b>
		Electrical	Harness Cab					
	100454			Cab Relay	Relay, 4 Pole, 30 Amp, Bracket	1	1.000	U
	100437			Cab Circuit Breaker	Breaker, Circuit, 30 Amp	1	1.000	U
	100485			Circuit Breaker/Relay Mount Fastener	Screw, Pan Head, 10-24 x 1", Plated	3	1.000	U
	100253			Circuit Breaker/Relay Mount Fastener	Nut, Hex, 10-24, Plated	3	1.000	U
	100484			Wire Connector, Marrett	Connector, Wing Nut, Blue	1	1.000	U
	100463			Front Wiper Harness	Harness Assembly	1	1.000	U
	100464			Worklight Power Harness	Harness Assembly	1	1.000	U
	100465			Front Wiper/Washer Power Harness	Harness Assembly	1	1.000	U
	100466			Rear Wiper/Washer Power Harness	Harness Assembly	1	1.000	U
	100467			Hazard/Flasher Power Harness	Harness Assembly	1	1.000	U
	100468			Fan Power Harness	Harness Assembly	1	1.000	U
	100483			Domelight/Defrost Fan Power Harness	Harness Assembly	1	1.000	U
	100469			Ignition Harness	Harness Assembly	1	1.000	U
	100470			Ground Harness	Harness Assembly	1	1.000	U
	100471			Power Jumper Harness	Harness Assembly	1	1.000	U
	100472			Power Harness	Harness Assembly	1	1.000	U
	100473			Cab Main Power Harness	Harness Assembly	1	1.000	U
	100474			Wire Tie	Tie, 3"	3	1.000	U



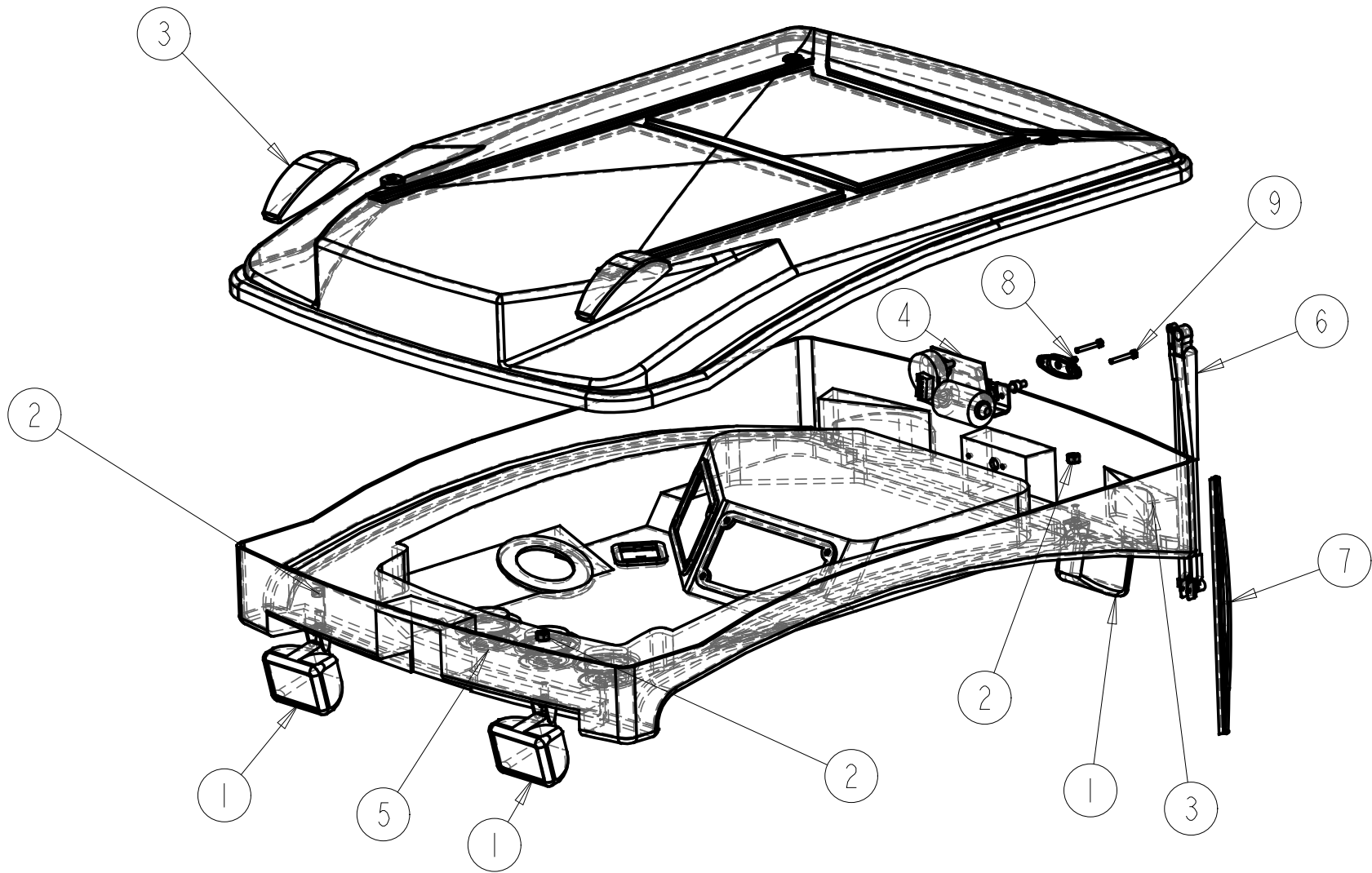


Figure	Options
--------	---------

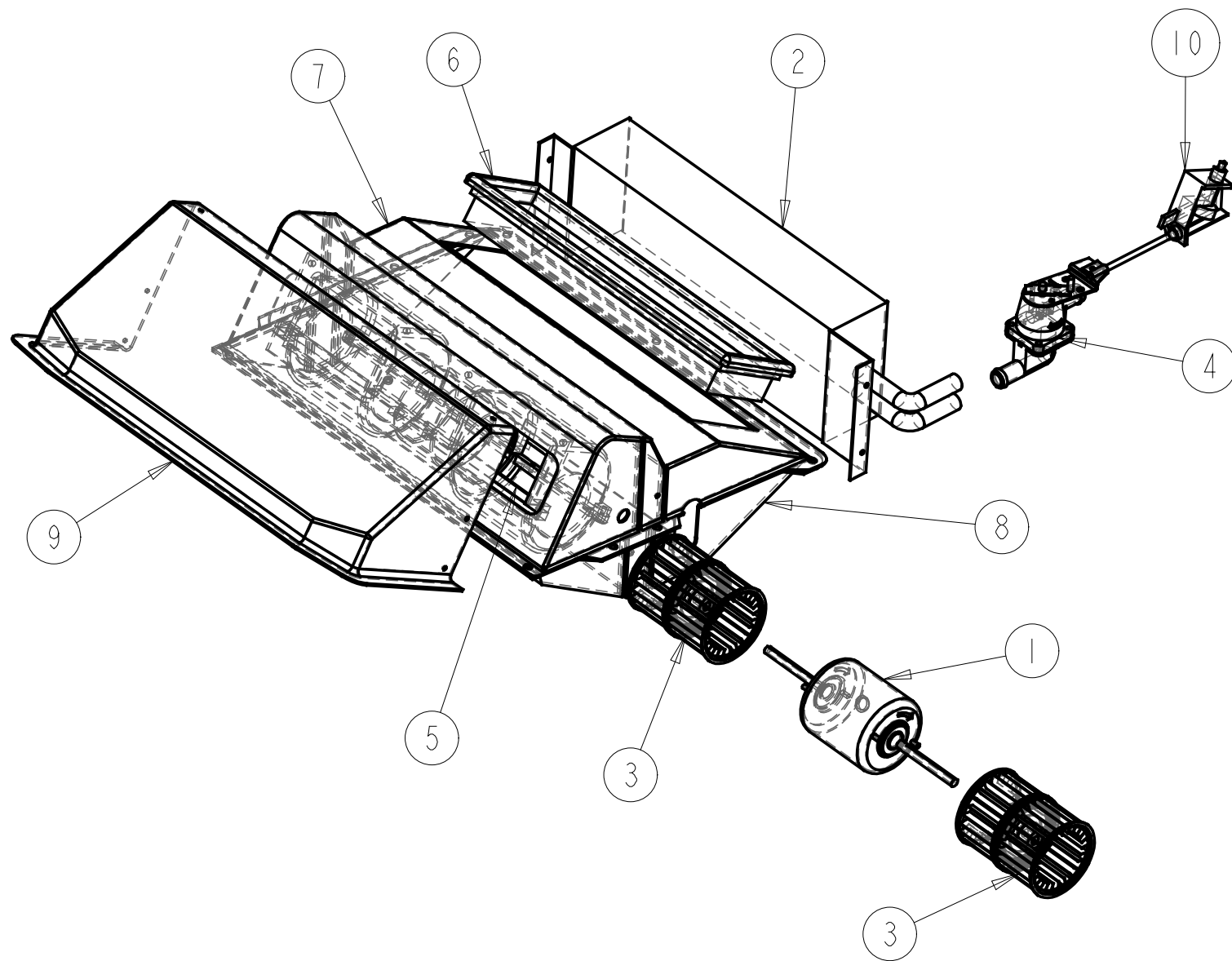


Figure | Boxer Heater

Boxer Options

Item #	JDP Part #	Assembly	Sub-Assembly	Description	Material Description	Qty.	Size	Unit
		Outside Mirror Option						
	100438			Mirror Bracket Mount, Left	Weldment	1	1.000	U
	100223			Glass Fastener	Nut, Flange, 1/4", Macro-black	2	1.000	U
	100440			Outside Mirror	Mirror, Convex	2	1.000	U
	100439			Mirror Bracket Mount, Right	Weldment	1	1.000	U
		Inside Mirror Option						
	100409			Fan Housing Fasteners	Screw, PH, #8 x 1", Macro-black	2	1.000	U
	100213			Inside Mirror	Mirror, Rear-View	1	1.000	U
		Front Worklights Option						
1	100731			Halogen Light	Light, Halogen, Rectangular, Black	2	1.000	U
2	100116			Light Fastener	Nut, Hex, 1/2", Gr. 8, Yellow Dichrome	2	1.000	U
		Rear Worklight Option						
1	100731			Halogen Light	Light, Halogen, Rectangular, Black	1	1.000	U
2	100116			Light Fastener	Nut, Hex, 1/2", Gr. 8, Yellow Dichrome	1	1.000	U
		Directional Signals/Flashers Option						
3	100492			Flasher Lights	Flasher Light, Amber	4	1.000	U
		Washer Option						
	100220			Wiper Washer Tank	Tank, White, Pump	1	1.000	U
	100217			Wiper Washer Hose	Hose, Clear, 1/8"ID	1	1.000	A/R
		Rear Wiper Option						
4	100481			Rear Wiper Motor Assembled	WWJ Motor, Drive Arm, Pivot Shaft, 1 1/4"	1	1.000	U
6	100535			Rear Wiper Arm, Pantograph	Arm, Pantograph, 18"	1	1.000	U
7	100535			Rear Wiper Blade	Blade, Wiper, 18"	1	1.000	U
8	100532			Pantograph Mount Plate	Mount, Pantograph	1	1.000	U
9	100482			Rear Wiper Fastener	Bolt, Hex, 1/4" x 2", UNF, Plated	2	1.000	U
5	100405			Louvres	Louvre, Black, Round	3	1.000	U
Item #	JDP Part #	Assembly	Sub-Assembly	Description	Material Description	Qty.	Size	Unit
		Fan/Heater Option						
1	100816			Fan Motor	Motor, 12V	1	1.000	U
2	100194			Heater Core	Core, 33000 BTU	1	1.000	U
3	100818			Fan Reels	Reel, Blower	2	1.000	U
4	100819			Heater Valve	Valve, Water	1	1.000	U
5	100821			Fan Motor Housing - Set	Plastic, Black, Set	1	1.000	U
6	100782			Air Filter	Filter, Air, WIX	1	1.000	U

Boxer Options

7	100917			Heater Box Upper	Plastic, ABS, 1/8"W	1	1.000	U
8	100918			Heater Box Lower	Plastic, ABS, 1/8"W	1	1.000	U
9	100919			Heater Box Discharge Hood	Plastic, ABS, 1/8"W	1	1.000	U
10	100820			Heater Actuator	Cable, Rotary Contol, Bowden	1	1.000	U
	100408			Heater Box Fasteners	Screw, PH, #8 x 1/2", Macro-black	10	1.000	U
	100409			Fan Housing Fasteners	Screw, PH, #8 x 1", Macro-black	6	1.000	U
	100441			Heater Box Fasteners	Screw, Button-Head, 1/4" x 1"	2	1.000	U
	100223			Heater Box Fasteners	Nut, Flange, 1/4", Macro-black	2	1.000	U
<b>Item #</b>	<b>JDP Part #</b>	<b>Assembly</b>	<b>Sub-Assembly</b>	<b>Description</b>	<b>Material Description</b>	<b>Qty.</b>	<b>Size</b>	<b>Unit</b>
		Switches/All Options						
	100901			Front Worklight Switch	Switch, Rocker, On/Off	1	1.000	U
	100901			Rear Worklight Switch	Switch, Rocker, On/Off	1	1.000	U
	100901			Hazard Switch	Switch, Rocker, On/Off	1	1.000	U
	100694			Flasher Switch	Switch, Hobbs, Rotary	1	1.000	U
	100890			Flasher Lever	Lever, Black	1	1.000	U
	100817			Heater Control Knobs	Knob, Black	2	1.000	U
	100158			Fan Switch	Switch, Rotary, 3-Speed	1	1.000	U
	100480			Rear Wiper Switch	Switch, Rocker, On/Off/Momentary	1	1.000	U