

BEAVER CONTESSA | 2008

BEAVER CONTESSA | 2008



# BEAVER CONTESSA | 2008

## A new lease on life.

Break free from the conformity of everyday life with the 2008 Contessa. Getting there is more than half the fun with Contessa's powerful Caterpillar® engine and smooth Roadmaster ride. A ride that's even smoother in the ultra-comfortable Ultraleather™ pilot and copilot seats. Being surrounded by beauty, luxury and comfort makes for a good trip, too. We've taken comfort to a new level with the addition of Villa furniture, including the optional leather hide-a-bed with air mattress available on several models. Taken as a whole, Contessa gives you everything you need to escape to an exciting new life.

### REAL WOOD FOR A REAL DIFFERENCE.

Perhaps the most noticeable Beaver difference is our beautiful and abundant wood cabinetry and trim. Handcrafted from the world's finest woods, it creates a stunning effect. New for 2008, Contessa has rich, rustic cherry wood available, along with tight knot walnut and white maple.





## 2008 HIGHLIGHTS

- The cockpit features an all-new, automotive-style dash with Bird's Eye Burl instrumentation panel, medallion gauges, chrome bezels and amber backlighting.
- The new Villa furniture is designed for great looks, high comfort and lasting durability.
- In the kitchen, we added a convenient countertop extension that easily rolls back into place after use.
- You'll be comfortable in any weather thanks to the new Aqua-Hot® 450 heating system with 50,000 BTUs and 6 heat exchangers with chrome exhaust tips.
- And finally, we've improved your view with our exclusive Panaview™ 1-Piece Windshield for a clear, unobstructed view of the road and all your surroundings.





**It's time to get started.**

Dive into a delicious new life with Contessa. The contemporary kitchen has everything you need — a high-output cooktop with oven, a convection microwave and a Norcold® refrigerator with ice maker. There's plenty of room on the high-gloss countertop with a new roll-out extension. Make every meal something special on the elegant legless dinette table. And in the cockpit you'll also find something new — the stylish automotive dash.

## Start every day off right.

Start off each day right with a restful night's sleep in Contessa's queen- or king-size bed (depending on model). Or, upgrade to a select comfort air mattress for the ultimate in comfort. The bedroom is the perfect place to relax with a Sony 23" LCD TV that's now standard. And, the bath features a one-piece round shower or an optional neo-angled bathtub.



### LIVE BIG.

Contessa has storage to spare with large exterior pass-through storage bays with slide-out trays and side-hinged doors. Speaking of big, Contessa now has an optional Aqua-Hot® 450 heating system and two 15M BTU roof air conditioners, so you'll always be comfortable.



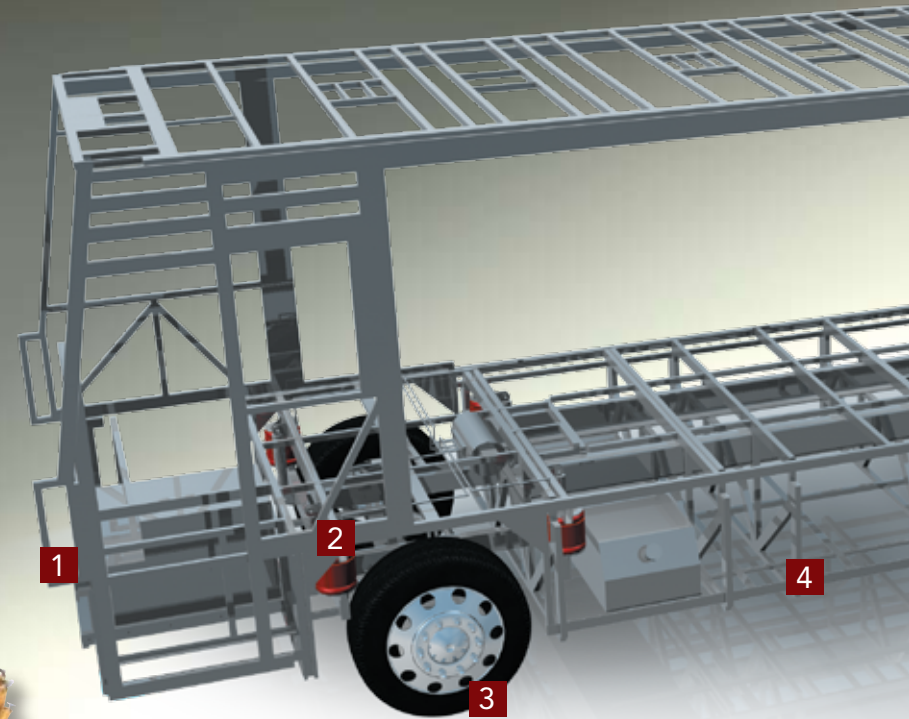
## ROADMASTER CHASSIS AND CONSTRUCTION

### A foundation for success.

Knowing full well the importance of a strong base, the Beaver Contessa relies exclusively on the incomparable Roadmaster chassis for its foundation. Roadmaster builds each chassis to the exact specifications of Beaver models and floorplans. What's more, because Roadmaster's entire focus is luxury motorhomes, the design, craftsmanship and quality of their chassis are second to none. Some of the most important benefits of a Roadmaster chassis are spelled out here. For a closer look, visit our website at [www.beavermotorcoaches.com](http://www.beavermotorcoaches.com) and look for the Roadmaster link.

### POWERED BY CATERPILLAR®

Beaver is proud to offer Caterpillar® engines with ACERT® technology. Road tested for millions of miles, CAT® engines offer unbeatable reliability and durability. Plus, a CAT® with ACERT® technology gives you high performance with the lowest operating costs in the industry. In fact, its maintenance intervals are 30,000 miles, compared with 25,000 for other engines. The C-9 outperforms the competition in horsepower and torque. The CAT® is also backed by an industry-leading 5-year/200,000-mile warranty with no deductible. And finally, ACERT® technology gives you the cleanest running engine available — and is fully compliant with EPA mandated standards.



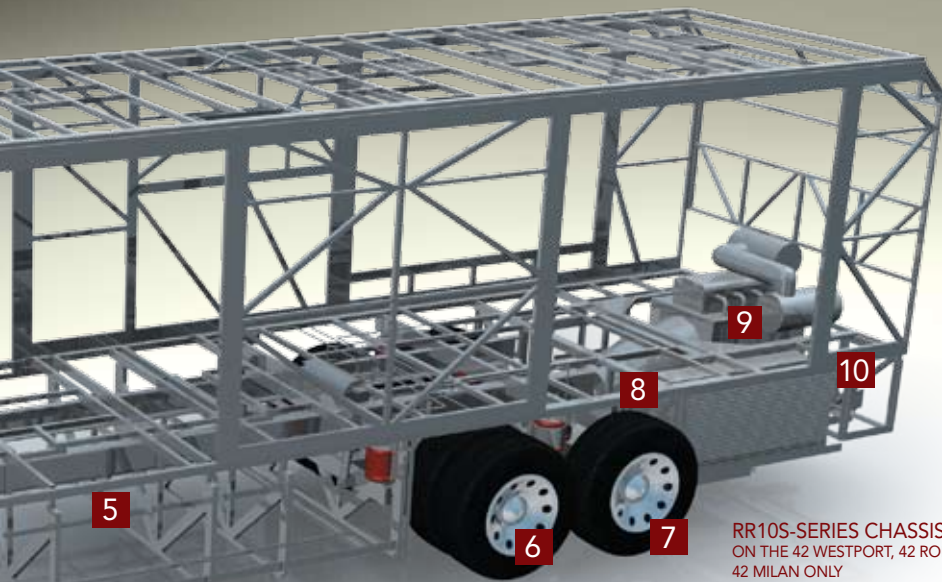
- 1 Equipped with a steel firewall and steel stepwell for added safety.
- 2 Three monitored leveling sensors (two in the rear, one in the front) continually adjust the air pressure within each air bag to maintain a level ride and eliminate nosediving, weight transfer, and floating on curved roads.
- 3 Anti-Lock Braking System with front disc brakes and rear drum brakes.

Automatic Traction Control (ATC) eliminates wheel slippage in slick conditions and heightens control. The Anti-Lock Braking System (ABS) gives you superior stopping power, especially on steep grades. Together, these sophisticated systems offer the very best safety on the road.

- 4 Our exclusive raised rail design provides for larger full pass-through storage bays with flush floors.



With the optional GPS navigation system, you're free to explore the middle of nowhere and always know exactly where you are.

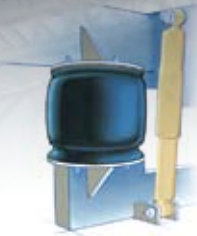


RR10S-SERIES CHASSIS IS AVAILABLE ON THE 42 WESTPORT, 42 ROME AND 42 MILAN ONLY

RR8S-SERIES CHASSIS IS AVAILABLE ON THE 38 HUNTINGTON AND 40 PACIFICA

### OUTBOARD AIR BAG SUSPENSION

The outboard-mounted air bags are protected by two steel plates and are placed farther apart than the competition, providing a wider, more stable platform for the coach. The active suspension automatically adjusts the pressure of the air bags as you drive and virtually eliminates nosediving and the side-to-side body sway associated with high wind conditions, curvy roads and emergency maneuvers.



- 5 Frame rails are constructed of 3-1/2" by 6-1/4" by 3/8" 100,000 PSI steel for greater strength; a side-mounted aluminum radiator and intercooler reduce weight, won't rust, and deliver better heat transfer than steel cooling components.
- 6 The Cushion Air Glide suspension features 10 gas-charged shocks and 10 air bags, 8 of which are outboard mounted.
- 7 Goodyear tires 295/80R/22.5.

### 9-LAYER ROOF CONSTRUCTION (top to bottom)

- One-piece molded crowned fiberglass roof
- Luau backing
- Thick, tapered bead foam insulation
- Aluminum double I-beam superstructure filled with fiberglass insulation
- Vapor barrier
- Structure foam: thermal insulative barrier
- 1/2" bead foam insulation
- Foam padding for extra insulation
- Padded vinyl ceiling



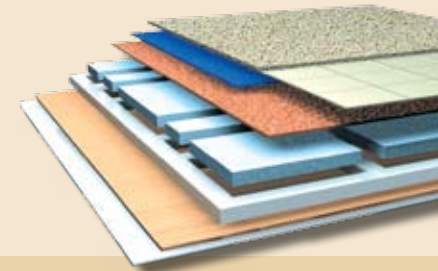
### 5-LAYER WALL CONSTRUCTION (left to right)

- Wallboard
- Aluminum framing
- Block foam insulation
- Luau
- Gel coat fiberglass exterior



### 7-LAYER FLOOR CONSTRUCTION (top to bottom)

- Carpet/tile
- Carpet padding
- Structure board
- Block foam insulation
- Aluminum framing
- Luau
- Three-ply outer layer



- 8 Allison® 3000 MH 6-speed transmission with electronic shifter. Our exclusive use of synthetic transmission fluid allows for up to three-year maintenance intervals for the Allison® transmission.
- 9 CAT® C-9 400 engine.
- 10 A 10,000 lb. tow hitch rating is the highest in its class. Pre-wired for supplemental braking system that works with your tow vehicle.

### WARRANTIES

12 Month/24,000 Mile basic limited warranty; 5 Year/50,000 Mile limited warranty on aluminum or steel frame structure of sidewall, roof, front and rear cap; 3 Year/50,000 Mile limited warranty on Roadmaster chassis. *Applies to certain models. See owner's manual for complete details.*

## Turn heads.

Out on the road, Contessa will now get more attention than ever. Because for 2008, Contessa has a dynamic new exterior — deluxe full-body paint with four fresh colors and exciting, full-fade graphics. The innovative looks extend to the interior as well, with totally revised decor choices. So pick the perfect combination that matches your own distinct life.

FABRICS | EXTERIOR | COLORS

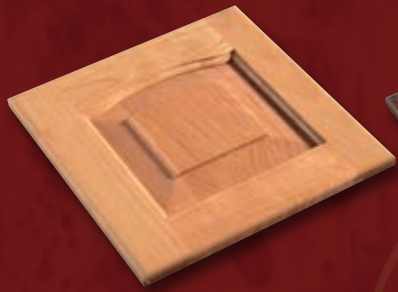


GODIVA

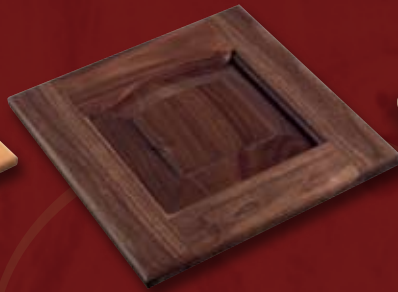


SANDAL WOOD II

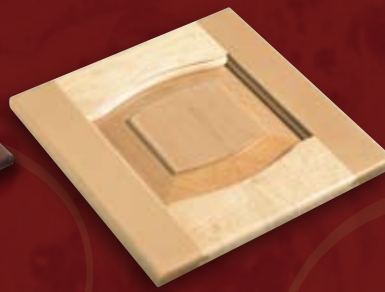




RUSTIC CHERRY



TIGHT KNOT WALNUT



WHITE MAPLE

### Marks of distinction.

Discover the many colors of elegance with our opulent choices of colors, fabrics and exterior packages. You can also choose which of our rich, vibrant woods are used to create handcrafted cabinets. We make sure the beauty lasts with quality materials and superior craftsmanship throughout the Contessa.



ISLAND SPLENDOR II

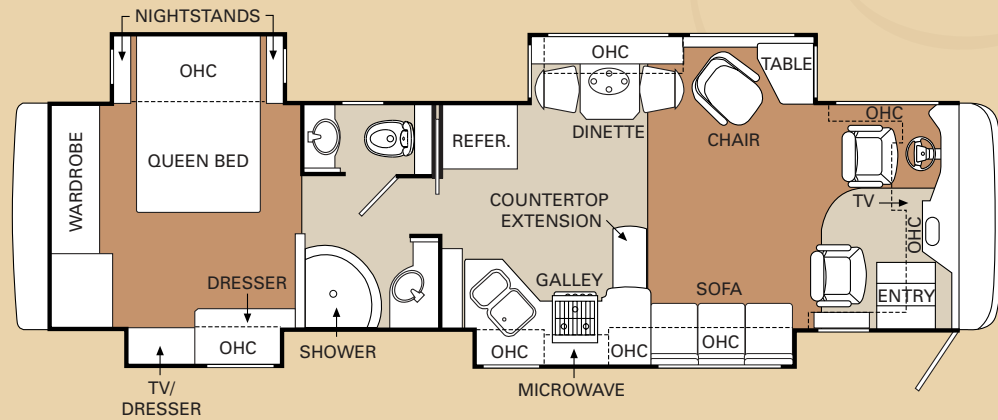


RAVEN WING

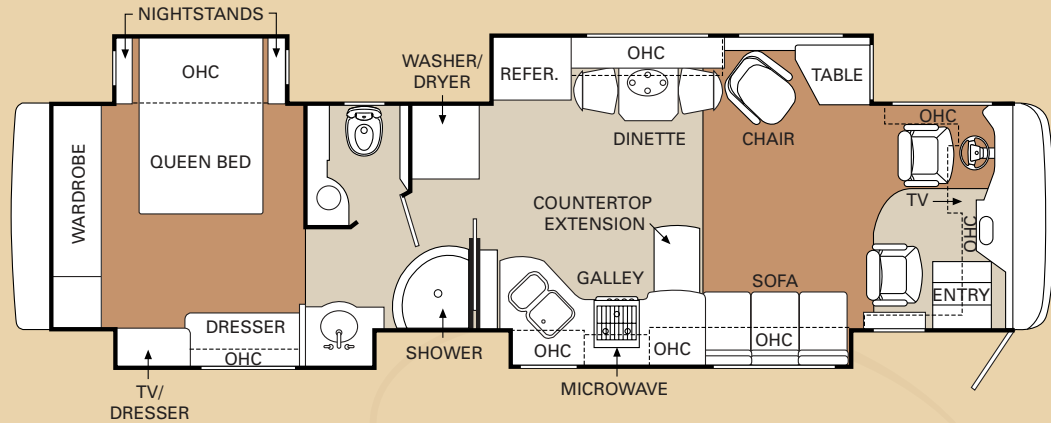
**A balanced plan.**

Contessa's floorplans go beyond merely defining what goes where. Individual needs, wants and tastes are answered with ingenious layouts, creative design and inspired options — making each Contessa as unique as the people who own it.

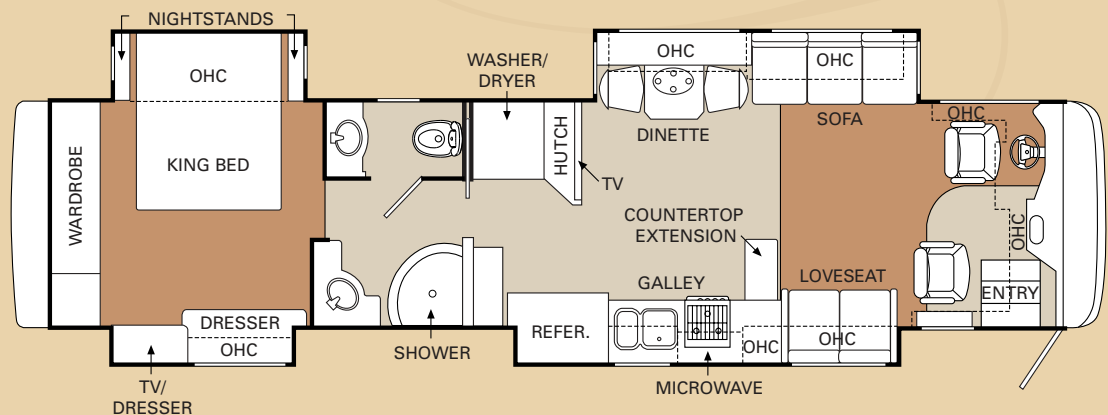
**38 HUNTINGTON**



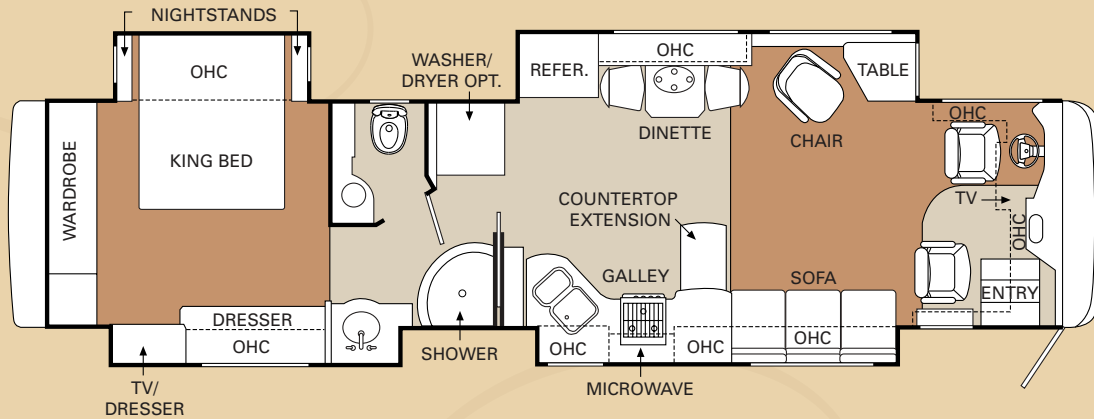
**40 PACIFICA**



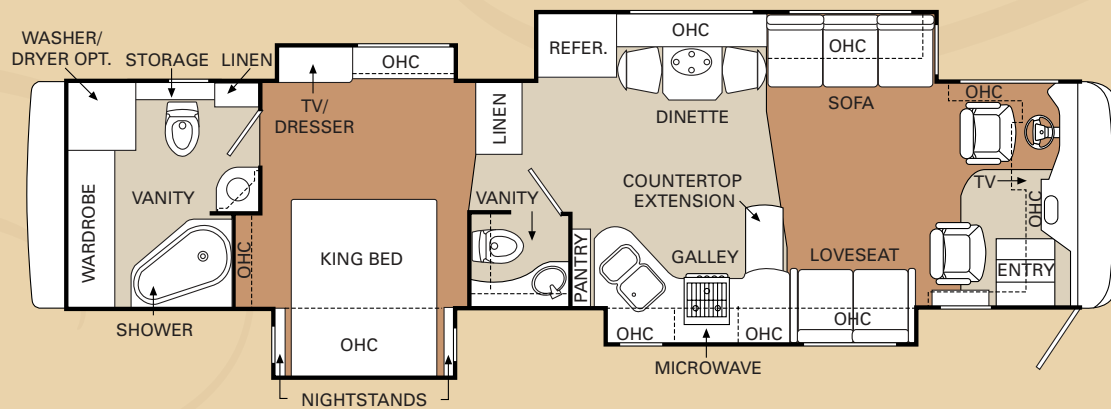
**42 WESTPORT**



## 42 ROME



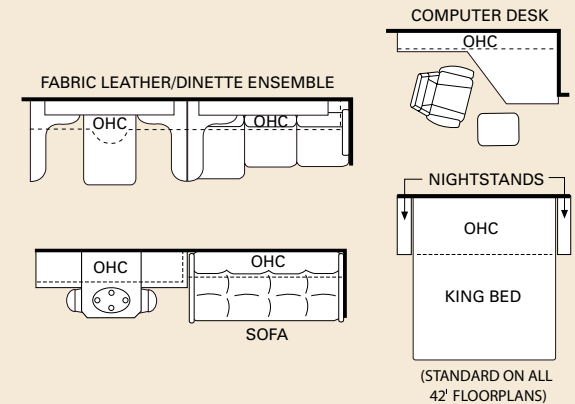
## 42 MILAN



CARPET  TILE

## FLOORPLAN OPTIONS

- King Bed (72" x 80") (38 Huntington, 40 Pacifica)
- Queen Bed Select Comfort Air Mattress
- King Bed Select Comfort Air Mattress
- Roadside: Fabric Hide-A-Bed with Air Mattress (N/A: 38 Huntington)
- Roadside: Leather Hide-A-Bed with Air Mattress (N/A: 38 Huntington)
- Roadside: Wraparound Computer Desk with Leather Euro-Recliner (N/A: 42 Westport, 42 Milan)
- Roadside: Leather Euro-Recliner (N/A: 42 Westport, 42 Milan)
- Roadside: Fabric/Leather Dinette Ensemble (N/A: 38 Huntington)
- Curbside: Leather Jackknife Sofa with Drawer (N/A: 42 Westport, 42 Rome)
- Neo-Angled Bathtub



Due to continuous product improvement, please see the website for the latest in standards and options, specifications, and technical data. Go to [www.beavermotorcoaches.com](http://www.beavermotorcoaches.com).

WEIGHTS	38 Huntington	40 Pacifica	42 Westport	42 Rome	42 Milan
Gross Vehicle Weight Rating (Lbs.)	34,600	34,600	44,600	44,600	44,600
Gross Combined Weight Rating <sup>1</sup> (Lbs.)	44,600	44,600	54,600	54,600	54,600
Front Gross Axle Weight Rating (Lbs.)	14,600	14,600	14,600	14,600	14,600
Rear Gross Axle Weight Rating (Lbs.)	23,000	23,000	20,000	20,000	20,000
Tag Gross Axle Weight Rating (Lbs.)	N/A	N/A	10,000	10,000	10,000

MEASUREMENTS	38 Huntington	40 Pacifica	42 Westport	42 Rome	42 Milan
Wheelbase	248"	272"	270.25"	TBD	TBD
Overall Length	39' 4"	41' 4"	43' 4"	43' 4"	43' 4"
Exterior Width	100.5"	100.5"	100.5"	100.5"	100.5"
Exterior Height	12' 10"	12' 10"	12' 10"	12' 10"	12' 10"
Interior Width	96"	96"	96"	96"	96"
Interior Height	84"	84"	84"	84"	84"

TANK CAPACITIES <sup>2</sup>	38 Huntington	40 Pacifica	42 Westport	42 Rome	42 Milan
Gray Tank (Gal.)	78	78	78	78	78
Black Tank (Gal.)	44	44	44	44	44
Fresh Tank (Gal.)	100	100	100	100	100
LP Tank <sup>3</sup> (Gal.)	31	31	31	31	31
Fuel Tank (Gal.)	130	130	130	130	130

<sup>1</sup> Towing capacity is limited by GCWR; your vehicle's towing capacity is the difference between the GCWR and the actual vehicle weight, including all water, fuel, passengers and cargo. Your towed vehicle should be equipped with auxiliary brakes if the weight of the towed vehicle exceeds 1,000 lbs. Consult your owner's manual for further towing information.

<sup>2</sup> All tank capacities are estimated based upon calculations provided by the tank manufacturers and represent approximate capacities. The actual "usable capacity" may be greater or less than the estimated capacities based upon fabrication and installation of the tanks.

<sup>3</sup> Actual filled LP capacity is 80% of listing due to safety shut-off required on tank.

The actual overall length of the recreational vehicle may differ from that indicated in the brochure due to variances in the manufacturing process and/or installed components. The actual length may be greater or less than that indicated. Due to the large variety of options and floorplan arrangements available to our customers, actual weights for each

unit can differ significantly. Beaver Motor Coaches provides a weight sticker on each unit we produce which includes that unit's tank capacities and approximate weight. Consult your local Beaver Motor Coaches dealer for unit availability and further information.

The information printed in this brochure reflects product design, fabrication, and component parts at the date of printing. The manufacturer reserves the right, at any time, to make changes in product design or material or component specifications as its sole option, without notice. This includes the substitution of components of a different brand or trade name which will result in comparable performance.

All information printed in this brochure is subject to change after the date of printing. Some features shown or mentioned in this brochure are optional and may only be available in selected floorplans. Photographs may show props or decorations that are not standard equipment on Beaver Motor Coach models. Beaver Motor Coaches, the Beaver logo and its design, are registered trademarks. All other products and company names are trademarks and/or registered

trademarks of their respective holders. While the color of the motorhome's exterior and the interior fabrics depicted in this sales brochure are fair and reasonable depictions, the colors depicted may not be an exact match of the actual colors because of the variances in photo-processing and variances caused by inserting the photographs within the sales brochure.

**Due to product improvements, changes during the model year and/or transcription errors that may occur, information represented within this brochure may not be accurate at the time of your purchase. If certain information is significant to your purchasing decision, please confirm the information with your dealer prior to submitting your order. Component part and appliance manufacturers issue limited warranties covering those portions of the recreational vehicle not covered by the Limited Warranties issued by Monaco Coach Corporation. To learn which specific component parts and appliances are excluded from the Limited Warranties issued by Monaco Coach Corporation, please contact your selling dealership or Monaco Coach Corporation directly, or review the warranty packet inside the recreational vehicle.**

## BODY CONSTRUCTION

### FEATURES

- › Aluminum Framed Superstructure
- › Seamless One-Piece Molded Crowned Fiberglass Roof
- › All-Season Foam Insulated Roof
- › Foam Insulated Floor Framing with 3-Ply Underbelly
- › Laminated Gel Coat Fiberglass Sidewalls
- › Aluminum Framed Laminated Floor on Steel Trusses
- › Foam Insulated Underbelly

- › Panaview™ 1-Piece Front Windshield
- › Recessed Side Docking Lights
- › Roof-Mounted Dual Trumpet Air Horns
- › Side-Hinged Baggage Doors with Chrome Door Latches
- › Ozite Lined Pass-Through Storage Compartments
- › Interlocking Aluminum Framed Slide-Out Houses
- › Rear Ladder

- › Full-Length "Beaver" Mud Flap
- › 3M Film Front Mask
- › Dual Head Power Controlled Heated Exterior Mirrors with Turn Indicator Lights
- › Front Molded Fiberglass Cap
- › Rear Molded Fiberglass Cap with Integrated Air Intake
- › Deluxe Full-Body Paint with New Graphics

### OPTIONS

- › Storage Bay Slide-Out Tray, Pass-Through (Bay 3)
- › Storage Bay Slide-Out Tray, Pass-Through (Bay 4) (N/A: 38 Huntington)

## CHASSIS/ENGINE/SUSPENSION

### FEATURES

- › Roadmaster RR8S-Series Chassis (38 Huntington, 40 Pacifica)
- › Roadmaster RR10S-Series Chassis (42 Westport, 42 Rome, 42 Milan)
- › CAT® C-9 425 Engine and Allison® 3000 MH 6-Speed Transmission with Electronic Shifter
- › Torque: (@ 1,400 RPM) 1,250 lbs./ft. Max. Net
- › Engine Displacement: 567 Cu. In. /9.3L
- › Dual Fuel Fill
- › 160 Amp Alternator
- › Rear Axle Ratio: 4.30:1

- › Tires: 295/80R/22.5
- › Polished Aluminum Wheels
- › Cushion Air Glide Suspension with Eight Outboard-Mounted Air Bags and Eight Shock Absorbers (38 Huntington, 40 Pacifica)
- › Cushion Air Glide Suspension with Ten Air Bags and Ten Shock Absorbers (42 Westport, 42 Rome, 42 Milan)
- › Automatic Traction Control
- › Anti-Lock Braking System with Front Disc Brakes and Rear Drum Brakes

- › Tag Axle with Anti-Lock Braking System (N/A: 38 Huntington, 40 Pacifica)
- › Auto Slack Adjusters on Brakes
- › Exhaust Brake
- › Prewire for Supplemental Braking System
- › Engine Block Heater
- › Automatic Leveling System (3 Point)
- › 10,000 Lb. Hitch Receiver with Dual Connector 4/7-Pin

### OPTIONS

- › Air Leveling (Replaces Standard Hydraulic Levelers)

## COCKPIT

### FEATURES

- › Automotive Dash with Bird's Eye Burl Instrumentation Panel
- › In-Dash AM/FM/CD Stereo Radio with Sirius-Ready Compatibility and Weather Band
- › Color Rear Vision System with Audio and Adjustable Camera
- › Message Center
- › Lighted VIP Smartwheel® Multiplexed Steering Wheel with Controls for Windshield Wipers, ICC and Cruise Control

- › Audible Turn Signals
- › Ultraleather™ Six-Way Power Pilot Seat and Co-Pilot Seat with Power Footrest
- › Carpeted Pilot and Co-Pilot Floor Mats

### OPTIONS

- › Interior Solar Privacy Sunscreens (Manual)
- › 3-Camera Rear Vision System with Audio and Adjustable Center Camera
- › GPS System
- › Sirius Radio Satellite System (Requires Subscription)
- › 10-Disc CD Changer

## APPLIANCES AND ACCESSORIES

### FEATURES

- › Norcold® 12 Cu. Ft. 2-Way 4-Door Refrigerator with Ice Maker
- › High-Output 3-Sealed-Burner Cooktop without Oven
- › Spacesaver Convection Microwave with Touch Control
- › Manual TV Antenna
- › CB Prep with Antenna
- › 32" Flatscreen LCD TV in Front Cockpit Overhead (N/A: 42 Westport)
- › 23" LCD TV in Front Cockpit Overhead (42 Westport)
- › 40" Flatscreen LCD TV in Living Room Hutch (42 Westport)
- › 23" LCD TV with Remote in Bedroom
- › Combination Washer/Dryer Prep
- › Sony® Home Theater System with DVD Player and Flush Speakers

### OPTIONS

- › Exterior Entertainment Center (26" LCD/AM/FM/CD Radio with Two Speakers) (N/A: 42 Westport)
- › Combination Washer and Dryer
- › Stackable Washer and Dryer (N/A: 38 Huntington, 42 Milan)
- › Stainless Steel Package (Includes Stainless Steel Refrigerator and Microwave)
- › Dometic Sidewise 14 Cu. Ft. 2-Way Refrigerator with Water and Ice Dispenser in the Door

- › In-Motion Digital Satellite Dish (Does Not Include Receiver)
- › DVD in Bedroom
- › Central Vacuum

## INTERIOR

### FEATURES

- › Solid Wood Arched Raised Panel Cabinet Doors with Adjustable Door Hinges
- › Rustic Cherry Cabinetry
- › Lined Cabinet Shelves
- › Heavy-Duty Ball Bearing Drawer Guides
- › Refrigerator Raised Panel Hardwood Inserts
- › Padded Vinyl Ceiling
- › Crown Molding in Bedroom and Living Area
- › High-Gloss Polished Solid Surface Kitchen Countertop with Solid Surface Sink and Two Sink Covers
- › Decorative Tile with Corian® Molding Backsplash in Galley and Lavatory

- › Roll-Out Polished Solid Surface Kitchen Countertop Extension
- › Polished Solid Surface Bathroom Countertop with Integrated Sinks
- › Day/Night Pleated Blackout Shades in Living Area and Bedroom; Mini Blinds in Kitchen and Private Bath
- › Plush Carpet in Living Area and Bedroom
- › Ceramic Tile in Entry, Kitchen and Bath Area
- › Bedroom Dresser with Polished Solid Surface Countertop
- › Bedroom Dresser/Wardrobe Cabinet with Drawers

- › Bedspread with Pillows
- › Bedroom Nightstands with Polished Solid Surface Countertops
- › Decorative Headboard
- › Decorative Hardwood Slide-Out Fascia Trim
- › Satin Nickel Cabinetry Hardware
- › Satin Nickel Bath Accessories
- › Oversized Rear Wardrobe Closet with Wood Framed Doors
- › Window Valances with Decorative Hardwood Center Block

### OPTIONS

- › Decors: Godiva, Sandal Wood II, Island Splendor II, Raven Wing
- › Gloss Finish Cabinetry Choices: Tight Knot Walnut, White Maple
- › Full-Tile Living Room

## FURNITURE

### FEATURES

- › Legless Polished Solid Surface Dinette Table with Two Dinette Chairs and Two Folding Chairs
- › Roadside: Ultraleather™ Chair with Fixed Living Area Table (N/A: 42 Westport, 42 Milan)
- › Roadside: Fabric Jackknife Sofa with Drawer (42 Westport, 42 Milan)
- › Curbside: Fabric Jackknife Sofa with Drawer (N/A: 42 Westport, 42 Milan)

- › Curbside: Fabric Loveseat (42 Westport, 42 Milan)
- › Queen Bed (60" x 80") with Polished Solid Surface Nightstands (38 Huntington, 40 Pacifica)
- › King Bed (72" x 80") with Polished Solid Surface Nightstands (42 Westport, 42 Rome, 42 Milan)

### OPTIONS

- › King Bed (72" x 80") (38 Huntington, 40 Pacifica)
- › Queen Bed (42 Westport, 42 Rome, 42 Milan)
- › Queen Bed Select Comfort Air Mattress
- › King Bed Select Comfort Air Mattress
- › Roadside: Fabric Hide-A-Bed with Air Mattress (N/A: 38 Huntington)
- › Roadside: Leather Hide-A-Bed with Air Mattress (N/A: 38 Huntington)
- › Roadside: Wraparound Computer Desk with Leather Euro-Recliner (N/A: 42 Westport, 42 Milan)
- › Roadside Leather Love Seat (N/A: 40 Pacifica, 42 Rome)

- › Roadside: Leather Euro-Recliner (N/A: 42 Westport, 42 Milan)
- › Roadside: Leather Recliner (N/A: 42 Westport, 42 Milan)
- › Roadside: Fabric/Leather Dinette Ensemble (N/A: 38 Huntington)
- › Curbside: Leather Loveseat (38 Huntington, 42 Westport, 42 Milan)
- › Curbside: Leather Jackknife Sofa with Drawer (N/A: 42 Westport, 42 Milan)
- › Curbside: Fabric Hide-A-Bed Sofa with Air Mattress (N/A: 42 Westport, 42 Milan)
- › Curbside: Leather Hide-A-Bed Sofa with Air Mattress (N/A: 42 Westport, 42 Milan)

## ELECTRICAL SYSTEMS AND LIGHTS

### FEATURES

- › 50 Amp 120V Distribution Panel and Power Cord Reel
- › Onan® 8.0 kW QD Generator on Power Slide-Out (38 Huntington, 40 Pacifica)
- › Onan® 10.0 kW QD Generator on Power Slide-Out (42 Westport, 42 Rome, 42 Milan)
- › 2,000 Watt Inverter
- › Auto Generator Start

- › Decorative Lighting
- › Cosmetic Vanity Light
- › Recessed Halogen Lighting under Living Room, Dinette Overhead and Bed Overhead
- › Fluorescent Light in Living Room, Bath Area and Bedroom
- › Porch Light
- › Lighted Exterior Storage Compartments

- › Four 6V Deep Cycle Coach Batteries
- › Two 12V Deep Cycle Chassis Batteries
- › Multiplex 12V Wiring for All Lighting Throughout Interior of Coach
- › Battery Disconnect Switch at Front Door
- › Battery Disconnect Switch in Battery Compartment
- › Electrical Systems and Lights Options

### OPTIONS

- › Solar Panel with Regulator (100 Watt)

## The inside track.

Beaver dealer links, service center finders, owner news and the latest information on the 2008 Contessa can be found on our website. It's a direct link to everything Beaver that can be accessed anytime, day or night, from home or on the road.

[www.beavermotorcoaches.com](http://www.beavermotorcoaches.com)



## PLUMBING AND LP SYSTEMS

FEATURES

- › Central Water Filtration System
- › Demand Water System and Water Pump
- › Insulated Systems Compartment with Easy Access to Hook-Ups
- › Water Pump Switches in Galley, Bath and Water Bay

- › China Toilet Electric Silent Plus (42 Rome, 42 Milan)
- › China Toilet (Aqua-Magic)
- › Black Holding Tank Rinsing System
- › No-Fuss Flush Holding Tank Rinsing System
- › Shower inside Wet Bay with Hot and Cold Water

- › Kitchen Sink Faucet with Pullout Sprayer
- › Single Handle Satin Nickel Shower Faucet with Slide Bar and Shut-Off Valve at Shower Head
- › One-Piece Round Shower with Reeded Glass Door (N/A: 42 Milan)
- › Neo-Angled Bathtub (42 Milan)

OPTIONS

- › Neo-Angled Bathtub (N/A: 42 Milan)
- › RV Sani-Con Tank Drainage System
- › Electronic Automatic Winterization
- › Power Water Hose Reel

## HEATING, VENTS AND AIR CONDITIONING

FEATURES

- › Aqua-Hot® 450 Heating System 50M BTU, 6 Heat Exchangers (Engine Preheat Included)
- › Two 15M BTU Roof Air Conditioners and One 13.5M BTU Roof Air Conditioner with Wall Thermostats and Heat Pumps (42 Westport, 42 Rome, 42 Milan)

- › Two Low-Profile Duo Therm 15M BTU Ducted Low-Profile Roof Air Conditioners with Ceiling Ducting and Heat Pumps (38 Huntington, 40 Pacifica)
- › Electronic AC/Heat Climate Control System

- › Dash Heating and Air Conditioner System with Defroster
- › 12V Attic Fan in Kitchen, Hall Bath and Private Bath

OPTIONS

- › Ceiling Fan in Bedroom

## WINDOWS, DOORS AND AWNINGS

FEATURES

- › Flush-Mounted Radius Dual Pane Safety Glass Dark Tinted Windows
- › Front Entry Door with Removable Screen
- › Keyless Entry in Grab Handle with Baggage Door Lock Release and Doorbell

- › Tinted Neo-Angled Skylight in Bathroom with ABS Shroud
- › Window Awnings on All Slide-Out House Windows except Kitchen Windows; Slide-Out Windows under Patio Awning and Bedroom Windows

- › Slide-Out Topper Awnings
- › Automatic Front Door Awning
- › Eclipse Automatic Patio Awning

OPTIONS

- › Mirage Automatic Patio Awning (N/A: 42 Westport)
- › Window Awning (Passenger Side Bedroom Window)

## SAFETY

FEATURES

- › Backup Alarm
- › Fire Extinguisher
- › Deadbolt Lock on Entrance Door
- › Lighted Interior and Exterior Grab Handle

- › 120V GFI Protected Circuit (Kitchen, Bath and Exterior)
- › Fire Extinguisher
- › Smoke Detector

- › Integrated Driver and Passenger Three-Point Seatbelts (Lap and Shoulder)
- › Third Brake Safety Light
- › Egress Window(s)

OPTIONS

- › Deluxe Security Alarm System



**ASSISTANCE**

SALES • TECH • ROADSIDE

**1-877-4MONACO**

## WE'RE HERE. ANYTIME, EVERY TIME.

- Reach us anytime – literally – via our live customer support line.
- Drive in to one of our 350 Service Centers.
- Enjoy the first year free when you enroll in our Owner Advantage Roadside Assistance Program.

- See where it all begins with a tour of one of our facilities in Indiana or Oregon.

**Call 1-800-650-7337 or  
1-800-634-0855 to find out more.**

## BEAVER CONTESSA | 2008



### Different by design.

It's no accident that Beaver motorhomes stand apart from the others. We were never going for mass appeal. At Beaver, our goal has always been to cater to those individuals who want something more. Something special. So we create luxury motorhomes that are exclusive and unique.

Some differences are obvious, like our famous handcrafted wood cabinetry. Others aren't as apparent, such as our exclusive Roadmaster chassis and seamlessly integrated engineering. But when you drive a Beaver, it all comes together to create a one-of-a-kind experience you won't soon forget. The 2008 Contessa from Beaver. Different by design.



MONACO COACH CORPORATION

Monaco is traded on the New York Stock Exchange under the listing MNC.

© 2007, Monaco Coach Corporation Litho in USA

0907 NPN: BROBTSS

BEING DIFFERENT MAKES ALL THE DIFFERENCE.

*"No other manufacturer can match Monaco's offerings. No one even comes close."*

*Kay*  
KAY TOOLSON, CEO



At Monaco, we always strive to be the best. And that means thinking outside the box. Giving you more of what you want in an RV. Like our exclusive Roadmaster chassis. Three factory-owned service centers. And programs like Monaco Financial Services and 24/7 roadside assistance. No other manufacturer can match Monaco's offerings. No one even comes close. Why not discover the difference for yourself? Go Monaco.

877-252-4666 | [www.monacodifferent.com](http://www.monacodifferent.com)

THE BEAVER LINE OF MOTOR COACHES:

MARQUIS® • PATRIOT® THUNDER • CONTESSA



Different by Design.

**BEAVER MOTOR COACH**

91320 Coburg Industrial Way, Coburg, OR 97408

[www.beavermotorcoaches.com](http://www.beavermotorcoaches.com)

Daily factory tours.

(800) 634-0855