

# Aeroprakt Ltd.

24, Polevaya str., Kiev, Ukraine

Tel: 0038 044 496-77-21

Fax: 0038 044 496-77-31

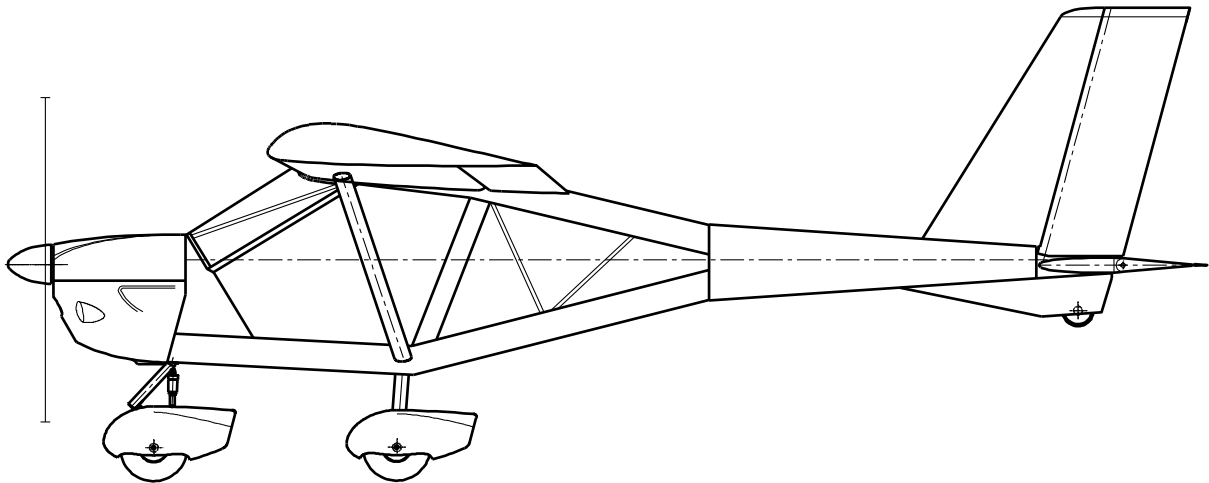
e-mail: [air@prakt.kiev.ua](mailto:air@prakt.kiev.ua)

[www.aeroprakt.kiev.ua](http://www.aeroprakt.kiev.ua)

## AEROPRAKT-22LS

### Pilot Operating Handbook

### A22LS-POH-04



**Airplane Model:**

**AEROPRAKT-22LS (A-22LS)**

**Airplane Registration Number:**

**Airplane Serial Number:**

**Date of issue:**

**Approved by:**

**Yuriy Yakovlyev**

**Position:**

**Chief designer**

**Date of approval:**

***This manual must be carried in the airplane at all times.***

***This airplane is to be operated in compliance with information and limitations contained herein.***

**RECORD OF MANUAL REVISIONS**

No part of this manual may be reproduced or changed in any manner without a written consent of the Manufacturer.

Any revision of the present manual, except actual weighing data, must be recorded in the following table according to information from the Manufacturer.

New or amended text in the revised pages will be indicated by a black vertical line on the left hand margin, and the Revision No. and the date will be shown on the bottom left hand side of the page.

Rev. No.	Affected Section	Affected Pages	Date	Approval	Date	Date Inserted	Signature

## Table of contents

<b>1</b>	<b>Introduction.....</b>	<b>5</b>
<b>2</b>	<b>General information .....</b>	<b>6</b>
2.1	General description of the airplane .....	6
2.2	Airplane specifications .....	6
<b>3</b>	<b>Limitations .....</b>	<b>7</b>
3.1	Airspeeds and Airspeed Indicator markings .....	7
3.2	Service ceiling .....	8
3.3	Maneuvering load factors .....	8
3.4	Approved maneuvers .....	8
3.5	Fuel capacity and type .....	8
3.6	Engine .....	9
3.7	Kinds of operation limits .....	9
3.8	Crosswind limitation .....	9
<b>4</b>	<b>Emergency procedures.....</b>	<b>10</b>
4.1	General .....	10
4.2	Emergency checklists .....	10
<b>5</b>	<b>Normal Procedures .....</b>	<b>15</b>
5.1	General .....	15
5.2	Preflight check.....	15
5.3	Engine starting .....	17
5.4	Taxiing.....	18
5.5	Before takeoff .....	18
5.6	Normal takeoff.....	18
5.7	Short/soft field takeoff .....	19
5.8	Climb.....	19
5.9	Cruise.....	19
5.10	Approach.....	19
5.11	Normal landing .....	20
5.12	Short/soft field landing.....	20
5.13	Balked landing.....	20
<b>6</b>	<b>Performance.....</b>	<b>21</b>
6.1	General .....	21
6.2	Takeoff and landing distances.....	21
6.3	Climb performance .....	21
6.4	Cruise speeds and fuel consumption at various RPM settings.....	21
<b>7</b>	<b>Weight and Balance and Equipment List .....</b>	<b>22</b>
7.1	Weight and Balance Chart .....	22
7.2	Installed equipment list.....	23

<b>8 Airplane and Systems Descriptions .....</b>	<b>24</b>
8.1 General .....	24
8.2 Airframe.....	24
8.3 Landing gear .....	25
8.4 Engine and its controls .....	25
8.5 Propeller.....	25
8.6 Fuel system.....	26
8.7 Airplane control systems .....	27
8.8 Instrument panel .....	33
8.9 Full and static pressure system.....	35
8.10 Electrical system .....	35
8.11 Seats and harness belts.....	41
8.12 Cockpit doors .....	41
8.13 Baggage container .....	41
<b>9 Aircraft Ground Handling and Servicing .....</b>	<b>42</b>
9.1 Introduction .....	42
9.2 Towing, parking and tie-down instructions .....	42
9.3 Servicing fuel, oil and coolant.....	42
9.4 Approved fuel and oil .....	43
9.5 Cleaning and care .....	43
9.6 Disassembling and assembling the airplane .....	43
<b>10 Supplements .....</b>	<b>46</b>
10.1 General .....	46
10.2 Engine manual .....	46
10.3 Avionics and special engine instruments .....	46
10.4 Recovery system.....	46
10.5 Floats .....	46
10.6 List of installed equipment.....	47
10.7 Actual empty weight and CG position data.....	48
10.8 Airplane Flight Training Supplement .....	49
10.9 Airplane Owner Feedback to Manufacturer.....	52

# 1 Introduction

This Pilot Operating Handbook has been prepared to provide the airplane owner and operators with information required for the safe and efficient operation of this airplane.

The following ASTM standards have been and/or shall be used for the design, construction and continued airworthiness of this Aeroprakt-22LS (A-22LS) airplane:

F2245-14 Standard Specification for Design and Performance of a Light Sport Airplane,

F2295-10 Standard Practice for Continued Operational Safety Monitoring of a Light Sport Aircraft,

F2316-12 Standard Specification for Airframe Emergency Parachutes,

F2339-06 Standard Practice for Design and Manufacture of Reciprocating Spark Ignition Engines for Light Sport Aircraft,

F2506-13 Standard Specification for Design and Testing of Light Sport Aircraft Propellers,

F2746-14 Standard Specification for Pilot's Operating Handbook (POH) for Light Sport Airplane,

F2972-14 Standard Specification for Light Sport Aircraft Manufacturer's Quality Assurance System.

This A-22LS airplane was manufactured by:

Aeroprakt Ltd.

Address: 24 Polyova str.

Kyiv, 03056

UKRAINE

Tel.: +380 44 496-77-21

Fax: +380 44 496-77-31

E-mail: [air@prakt.kiev.ua](mailto:air@prakt.kiev.ua)

[www.aeroprakt.kiev.ua](http://www.aeroprakt.kiev.ua)

Should the original manufacturer of the aircraft lose its ability to support this aircraft make and model, contact:

Peter Harlow

Foxbat Australia

8 A Regent Street

Brighton East

Victoria 3187

AUSTRALIA

Tel/fax - +61 (0) 3 9592 3101

Mobile/cell - +61 (0) 413 900 892

## 2 General information

### 2.1 General description of the airplane

AEROPRAKT-22LS (A-22LS) is a two-seat, high-wing strut braced monoplane of "classic" aerodynamic layout with closed cockpit, non-retractable landing gear with steerable nose wheel, Rotax-912 engine with tractor three-blade on-ground adjustable pitch propeller.

AEROPRAKT-22LS is approved for flying in VFR, simple meteorological conditions.

AEROPRAKT-22LS is certified in the LSA (Light Sport Airplane) category.

### 2.2 Airplane specifications

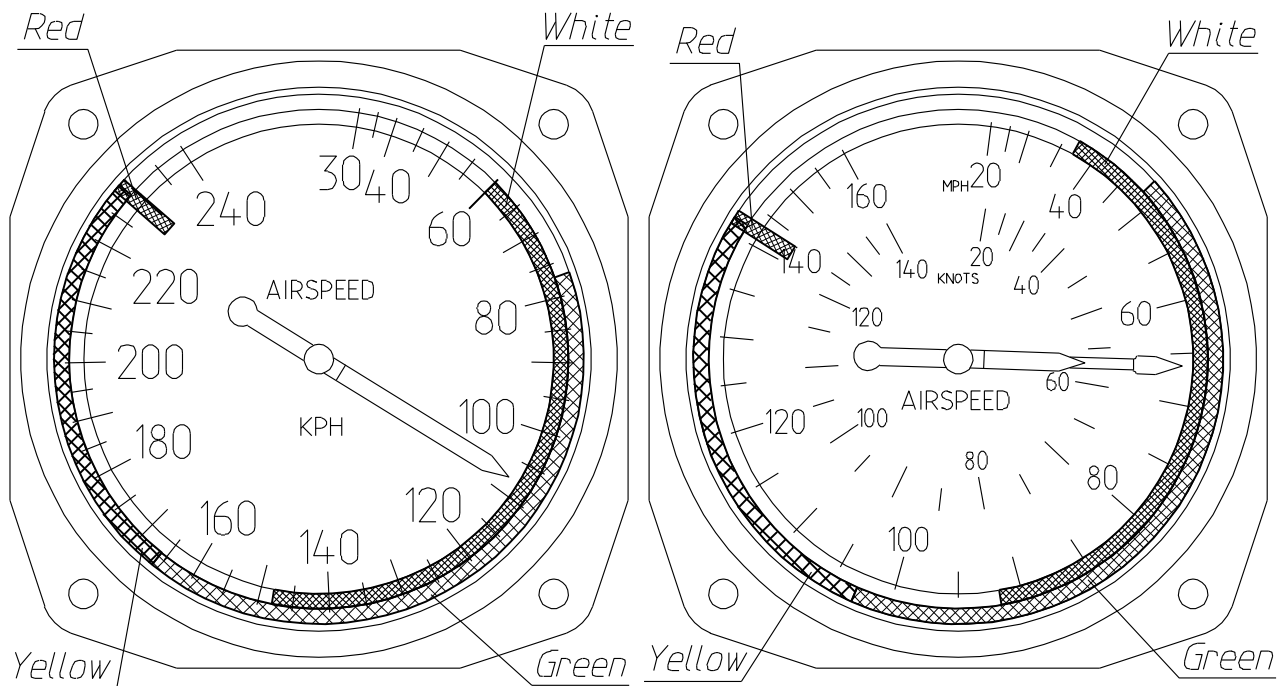
Specification	US units	Metric
Wing span	31 ft 4 in	9.55 m
Wing area	136 sq ft	12.62 m <sup>2</sup>
Length	20 ft 5 in	6.23 m
Height	8 ft 2 in	2.47 m
Wheel base	4 ft 2 in	1.26 m
Wheel track	5 ft 7 in	1.71 m
Gross weight (Maximum Take-Off Weight, MTOW)	1320 lb	600 kg
Top speed at sea level, ISA conditions (with wheels landing gear)	114 mph	183 km/h
Cruising speed at 1000 ft, ISA conditions, and engine RPM:		
	4000	68 mph 110 km/h
	4600	92 mph 148 km/h
	4800	97 mph 156 km/h
	5000	100 mph 161 km/h
	5200	104 mph 167 km/h
Range with full tanks (with 2x45 l tanks, 30 min. reserve) at 1000 ft, ISA conditions, 4000 RPM (with wheels landing gear)	609 sm	981 km
Best angle of climb speed ( $V_X$ ), IAS	56 mph	90 km/h
Best rate of climb speed ( $V_Y$ ), IAS	62 mph	100 km/h
Stalling speed at MTOW, flaps up ( $V_S$ ), IAS	48 mph	77 km/h
Stalling speed at MTOW, full flaps ( $V_{S0}$ ), IAS	37 mph	60 km/h
Maximum engine power at 5800 RPM (5 minutes limit)	100 hp	73.5 kW
Total fuel capacity	23.8 US gal	90 l
Usable fuel	23.5 US gal	89 l
Approved fuel types: unleaded mogas min. RON 95 or avgas 100LL		

### 3 Limitations

#### 3.1 Airspeeds and Airspeed Indicator markings

Scheme of color markings of airspeed indicator is shown on **Fig. 1**. Explanations are given in the table below:

Marking	IAS value or range			Significance
	km/h	mph	kts	
White arc start	60	37	32	Stalling speed at maximum takeoff weight with full flaps ( $V_{S0}$ )
Green arc start	77	48	42	Stalling speed at maximum takeoff weight with flaps up ( $V_S$ )
White arc	60-148	37-92	32-80	Flap extended speed range ( $V_{S0}$ to $V_{FE}$ )
Green arc	77-166	48-103	42-89	Normal operating range ( $V_S$ to $V_A$ )
Green arc end - Yellow arc start	166	103	89	Maneuvering speed ( $V_A$ ) at gross weight and minimum weight
Yellow arc	166-229	103-142	89-124	Maneuvers must be conducted with caution and only in smooth air ( $V_A$ to $V_{NE}$ )
Red line	229	142	124	Maximum speed for all operations ( $V_{NE}$ )



**Fig. 1**

### 3.2 Service ceiling

Service ceiling of A-22LS with Rotax-912ULS (100 hp) engine is equal to at least 5000 m. However A-22LS has neither pressurized cockpit no oxygen equipment and therefore may not be used for high-altitude flight.

### 3.3 Maneuvering load factors

Limit load factors for the airplane at gross weight of 600 kg (1320 lb) are as follows:

Maximum positive limit load factor +4.0

Maximum negative limit load factor -2.0

### 3.4 Approved maneuvers

A-22LS airplane belongs to a non-aerobatic category. All maneuvers shall be done within its airspeed and maneuvering load factor limits (G limits). Approved maneuvers include:

- turns with bank angles up to 60°,
- side-slipping with angles up to 15°,
- level and accelerated stalls without spinning,
- diving at a speed below  $V_{NE}$  of 229 km/h (142 mph, 124 kts) IAS.

**Any aerobatics including intentional spinning is prohibited!**

### 3.5 Fuel capacity and type

Capacity of tanks: 2×45l (2x11.9 US gal)

Total fuel capacity: 90 l (23.8 US gal)

Total usable fuel: 89 l (23.5 US gal)

Non-usable fuel: 1 l (0.3 US gal)

Approved fuel types: unleaded mogas min. RON 95 or avgas 100LL.



### 3.6 Engine

Engine data and operational limitations are given in the table below:

Engine manufacturer:	BOMBARDIER-Rotax-GmbH (Austria)
Engine model:	Rotax-912ULS
Maximum takeoff power:	100 h.p.
Time limit at full power:	5 min (5800 rpm)
Max. revolutions (no time limit)	5500 rpm
Min. revolutions at idle	1400 rpm
Maximum coolant temperature at pick-up point:	120°C (248°F)
Oil temperature, normal minimum maximum	90-110°C (190-230°F) 50°C (122°F) 130°C (266°F)
Max. exhaust gas temperature:	950°C (1742°F)
Oil pressure, normal minimum maximum	2.0-5.0 bar (29-73 psi) (above 3500 RPM) 0.8 bar (12 psi) (below 3500 RPM) 7 bar (100 psi) (at cold start, allowed for a short time)
Fuel pressure, normal maximum	0.15-0.4 bar (2.2-5.8 psi) 0.4 bar (5.8 psi)
Fuel:	unleaded mogas min. RON 95 or avgas 100LL
Oil:	any automotive oil of API classification "SF" or "SG"
Ambient air temperature range	from -25°C (-13°F) to +50°C (+122°F)

**NOTE: On all issues of engine operation see Rotax engine Operator's Manual.  
Follow its instructions to ensure safe and efficient operation of the engine.**

### 3.7 Kinds of operation limits

This aircraft is approved for flying day and night, VFR, simple meteorological conditions. Flight into icing conditions is prohibited.

### 3.8 Crosswind limitation

Maximum crosswind component for A-22LS airplane is 7 m/s (14 kts).

It is highly recommended to choose upwind direction for takeoff and landing with the least crosswind. It will significantly shorten takeoff and landing distances and increase degree of safety.

## **4 Emergency procedures**

### **4.1 General**

This section contains recommendations to the pilots in case of emergency in flight. However such situations, caused by airframe or engine malfunction are extremely rare provided that pre-flight inspections and checks are performed regularly.

### **4.2 Emergency checklists**

#### **4.2.1 Engine fire during start**

1. Throttle – IDLE
2. Ignition – OFF.
3. Fuel valves – CLOSE.
4. Unfasten seat belts, abandon cockpit.
5. Take measures to extinguish the fire.

#### **4.2.2 Engine failure during takeoff**

##### **4.2.2.1 during takeoff roll**

1. Throttle – IDLE.
2. Ignition – OFF.
3. Brakes – APPLY as necessary.

##### **4.2.2.2 immediately after takeoff**

1. Direction – NO TURN BACK.
2. Airspeed – 100 km/h (62 mph, 54 kts) - best glide.
3. Throttle – IDLE.
4. Ignition – OFF.
5. Master switch – OFF.
6. Fuel valves – CLOSE.
7. Landing – STRAIGHT AHEAD, avoid colliding with obstacles.

#### **4.2.3 Loss of engine power in flight**

##### **4.2.3.1 during climb**

1. Airspeed – 100 km/h (62 mph, 54 kts) - best glide.
2. Throttle – IDLE.
3. Ignition – OFF.
4. Fuel valves – CLOSE.
5. Direction – TURN to the airfield (if altitude permits).
6. Landing – STRAIGHT AHEAD, avoid colliding with obstacles.

#### **4.2.3.2 in level flight**

1. Airspeed – 100 km/h (62 mph, 54 kts) - best glide.
2. Landing area – SELECT (consider altitude and wind).
3. Engine – RESTART (if time and altitude permit), see section 4.2.4.
4. Unable to restart – follow emergency landing procedure, see section **4.2.5**.

#### **4.2.4 Restarting engine in flight**

1. Throttle – IDLE.
2. Fuel valves – check OPEN.
3. Fuel level – CHECK.
4. Ignition – ON.
5. Master key – turn to START.

#### **4.2.5 Emergency landing without engine power**

1. Airspeed – 100 km/h (62 mph, 54 kts) - best glide.
2. Flaps – position 1.
3. Ignition – OFF.
4. Fuel valves – CLOSE.
5. Landing area – SELECT, consider altitude and wind. (No place suitable for landing – use recovery system.)
6. Emergency call – TRANSMIT (121.5 MHz or nearest airfield frequency).
7. Flaps – EXTEND FULLY on final.
8. Landing – in the SELECTED place, avoid colliding with obstacles.
9. Touchdown – at minimum speed.

#### **4.2.6 Precautionary landing with engine power**

(In case of decision to discontinue the flight with engine running)

1. Airspeed – SELECT SAFE for the particular situation.
2. Throttle – SET to maintain selected airspeed.
3. Fuel – CHECK level and valves.
4. Map – CHECK for nearest airfields/area suitable for landing.
5. Landing area – SELECT.
6. Radio – REPORT decision to land on the selected place if necessary.
7. Landing – follow NORMAL or SHORT-FIELD landing procedure as appropriate.

#### **4.2.7 Fire in flight**

1. Ignition – OFF.
2. Fuel valves – CLOSE.
3. Yoke – PUSH to descend.
4. Airspeed – BELOW 229 km/h (142 mph, 124 kts).
5. Landing area – SELECT (consider altitude and wind).
6. Landing – in the SELECTED place, avoid colliding with obstacles.
7. Unfasten seat belts, abandon cockpit.
8. Take measures to extinguish the fire.

#### **4.2.8 Loss of oil pressure**

1. Follow PRECAUTIONARY LANDING procedure, see section **4.2.6**.
2. Engine overheating or stopped – follow EMERGENCY LANDING procedure, see section **4.2.5**.

#### **4.2.9 High oil pressure**

1. Throttle – REDUCE rpm, IDLE if necessary.
2. Airspeed – 100 km/h (62 mph, 54 kts) - best glide.
3. Oil pressure – CONTROL.
4. Oil pressure normal – follow PRECAUTIONARY LANDING procedure, see section **4.2.6**.
5. Oil pressure high – follow EMERGENCY LANDING procedure, see section **4.2.5**.

#### **4.2.10 Emergency descent**

1. Yoke – PUSH to descend.
2. Throttle – IDLE.
3. Airspeed – BELOW 229 km/h (142 mph, 124 kts).
4. Engine speed – BELOW 5800 rpm.
5. Air traffic – CONTROL to avoid collisions.
6. Altitude – CONTROL.
7. Terrain – CONTROL.
8. At safe altitude – PULL YOKE GENTLY to level off.
9. G loads – DO NOT EXCEED +4g.

#### **4.2.11 Alternator failure**

Follow PRECAUTIONARY LANDING procedure, see section **4.2.6**.

#### **4.2.12 Overvoltage**

1. Additional electrical consumers (landing light, strobes, etc.) – switch ON.
2. Voltage – CHECK.
3. Voltage normal – CONTINUE normal flight.
4. Voltage high – REMOVE battery charge fuse and FOLLOW PRECAUTIONARY LANDING procedure, see section **4.2.6**.

#### 4.2.13 Inadvertent spin

1. Rudder pedals – FULLY AGAINST ROTATION.
2. Yoke – PUSH to stops.
3. Rotation stopped – rudder pedals NEUTRAL.
4. Speed reached 100 km/h (62 mph, 54 kts) – PULL YOKE GENTLY to recover from diving.

**Do not exceed +4g and 229 km/h (142 mph, 124 kts)!**

#### **WARNING: Intentional spinning in A-22LS is prohibited!**

NOTE: In level flight and during turn stall warning is assured by the aerodynamic characteristics of A-22LS – gentle shaking of the airplane and yoke due to the starting airflow separation.

#### 4.2.14 Inadvertent icing encounter

1. Abandon icing build-up area.
2. Icing build-up not stopped – FOLLOW PRECAUTIONARY LANDING procedure, see section 4.2.6.

#### 4.2.15 Loss of primary instruments

##### 4.2.15.1 ASI failure due to full pressure line blockage

Signs of the blockage – airspeed indicator reading either:

- does not change with changing airspeed in level flight or,
- reduces during a steady descent or,
- increases during a steady climb.

1. Airspeed indicator readings – IGNORE.
2. In level flight – SET THROTTLE to 4000-4500 rpm.
3. Altitude – MAINTAIN.
4. In descent – SET THROTTLE to IDLE.
5. Sink rate – SET to 3 m/s (600 ft/min).
6. Follow PRECAUTIONARY LANDING procedure, see section 4.2.6.

##### 4.2.15.2 Altimeter, VSI and ASI failure due to static pressure line blockage

Signs of the blockage:

- altimeter and vertical speed indicator readings do not change with changing altitude or,
- airspeed indicator reading increases during a steady descent or,
- airspeed indicator reading reduces during a steady climb.

1. IGNORE altimeter, VSI and ASI readings.
2. Airplane attitude – CONTROL by the position of the horizon line with relation to the wings and engine cowling.
3. Airspeed and vertical speed – CONTROL using throttle.
4. Follow PRECAUTIONARY LANDING procedure, see section 4.2.6.

**4.2.15.3 Powerplant instruments failure**

(Tachometer, oil, water and exhaust temperature indicators, fuel quantity indicator)

1. IGNORE powerplant instruments readings.
2. Engine rpm – CONTROL by engine noise.
3. Follow PRECAUTIONARY LANDING procedure, see section **4.2.6**.

**4.2.16 Loss of flight controls**

1. Elevator control fails – use elevator TRIM TAB control.
2. Rudder control fails – use AILERONS to control direction.
3. Aileron control fails – use RUDDER to control bank.

## **5 Normal Procedures**

### **5.1 General**

This section describes normal procedures recommended for safe operation of the A-22LS.

### **5.2 Preflight check**

Pilots must inspect the general condition of the airplane during its preflight check. The airplane must have no damage or maladjustments that may be critical for the flight safety. The cockpit glass, propeller, wing and empennage must be clean of rainwater, snow, frost, ice, and dirt as they impair visibility and aerodynamics and increase weight.

Preflight check must be performed according to the following order and requirements:

#### **5.2.1 Entire airplane**

1. Covers and clamps – REMOVED.
2. Airplane – CLEAN of rainwater, snow, frost, ice and dirt.
3. Rigging – CHECK visually.
4. External damage – NONE.

#### **5.2.2 Power plant**

1. Propeller and spinner – CLEAN, INTACT and SECURE.
2. Top cowling – REMOVE for engine inspection.
3. Oil, coolant and braking fluid – CHECK level.
4. Engine mount and vibration dampers – NO CRACKS and INTACT.
5. Cables and hoses – INTACT and SECURE.
6. Fuel, oil, coolant leaks – NONE.
7. Exhaust system, its attachments, joints and springs – NO CRACKS and INTACT.
8. Top cowling – INSTALL back.
9. Cowling and its locks – INTACT and LOCKED.

#### **5.2.3 Landing gear**

1. Wheel fairings – CLEAN, INTACT and SECURE.
2. Wheel pressure – OK.
3. Tires – NO CRACKS, WEAR OK.
4. Main wheel brakes – CLEAN, INTACT and SECURE.
5. Braking fluid – NO LEAKS.
6. Nose and main legs – NO CRACK and INTACT.
7. Nose leg shock absorber – INTACT.

### **5.2.4 Right wing**

1. Wing and strut surface – CLEAN and INTACT.
2. Wing and strut attachment fittings and bolts – IN PLACE, INTACT and SECURE.
3. Wing fuel tank cap – IN PLACE and SECURE.
4. Fuel leaks – NONE.
5. Fuel tank vent outlet – CLEAN and INTACT.
6. Wing tip and navigation/strobe light – INTACT.
7. Flaperon clamp – REMOVED.
8. Flaperon – CLEAN and INTACT.
9. Flaperon hinge brackets – INTACT, BOLTS SECURE, HINGES GREASED.
10. Flaperon control linkage attachment – INTACT and SECURE.

### **5.2.5 Right side of fuselage**

1. Fuselage surface – CLEAN and INTACT.
2. Cockpit glass – CLEAN, INTACT and NO CRACKS.
3. Door hinges and lock – INTACT.
4. Recovery system condition – CHECK visually.
5. Drain valve – CLOSED, NO FUEL LEAKS.
6. Fuel residue – DRAIN and CHECK.

### **5.2.6 Empennage**

1. Empennage surface – CLEAN and INTACT.
2. Clamps/stops – REMOVED.
3. Horizontal stabilizer attachment fittings and bolts – INTACT and SECURE.
4. Rudder, elevator and trim tab – CLEAN and INTACT.
5. Rudder, elevator and trim tab hinge brackets – INTACT, SECURE and GREASED.
6. Rudder, elevator and trim tab control linkage attachment – INTACT and SECURE.

### **5.2.7 Left side of fuselage**

1. Fuselage surface – CLEAN and INTACT.
2. Cockpit glass – CLEAN, INTACT and NO CRACKS.
3. Door hinges and lock – INTACT.
4. Battery and power cables' attachment – SECURE, CONDITION OK.
5. Control system linkages inside the rear fuselage – CHECK visually.
6. Baggage container condition – CHECK visually.



### 5.2.8 Left wing

1. Flaperon control linkage attachment – INTACT and SECURE.
2. Flaperon hinge brackets – INTACT, BOLTS SECURE, HINGES GREASED.
3. Flaperon – CLEAN and INTACT.
4. Flaperon clamp – REMOVED.
5. Fuel tank vent outlet – CLEAN and INTACT.
6. Fuel leaks – NONE.
7. Wing fuel tank cap – IN PLACE and SECURE.
8. Wing tip and navigation/strobe light – INTACT.
9. Wing and strut attachment fittings and bolts – IN PLACE, INTACT and SECURE.
10. Wing and strut surface – CLEAN and INTACT.
11. Pitot/static pressure probe – COVER REMOVED, CLEAN and INTACT.

### 5.2.9 Cockpit

1. Cockpit interior – CLEAN, INTACT, NO FOREIGN OBJECTS.
2. Seats – INTACT, ADJUSTED and SECURE.
3. Harness belts – INTACT, ADJUSTED and LOCKED (with pilots in the seats).
4. Doors – CLOSED and LOCKED.
5. Flight planning including weight and CG check – PERFORMED.
6. Onboard documentation/maps required for the flight – AVAILABLE.
7. Baggage container – BAGGAGE SECURED, CONTAINER CLOSED.
8. Starter key – REMOVED
9. All electrical switches – OFF.
10. Flight instruments – INTACT, CHECK READINGS.
11. Movements of controls – check FREE and FULL.
12. Yokes, rudder pedals, elevator trim tab lever – NEUTRAL.
13. Flaps – RETRACTED.
14. Parking brake – ON.

### 5.3 Engine starting

1. Starter key – INSERT, set to ON.
2. Fuel level – CHECK.
3. Fuel valves – CHECK.
4. Throttle – IDLE.
5. Doors – check CLOSED.
6. Carburetor heating (**cold engine only**) – ON.
7. Choke lever (**cold engine only**) – set FULLY FORWARD.
8. Propeller – CHECK CLEAR.

9. Starter key (**cold engine only**) – set to START for 5 seconds with ignition OFF.
10. Ignition – ON.
11. Starter key – set to START until engine starts (10 seconds maximum).
12. Throttle – set MINIMUM STABLE REVOLUTIONS (approx. 1600-1700 RPM).
13. Choke lever – FULLY BACK (gradually, when engine runs smoothly).
14. Carburetor heating – OFF.
15. Engine – WARM UP at 2000-2500 RPM.
16. Required electric equipment/instruments – switch ON and ADJUST.
17. Ignition – TEST at 4000 RPM holding brakes.
18. Oil pressure – check 2.0-5.0 bar (29-73 psi) at above 3500 RPM.

#### **5.4 Taxiing**

1. Throttle – IDLE.
2. Parking brake – OFF.
3. Coolant and oil temperature – CHECK
4. Taxiway – CHECK CLEAR.
5. Throttle – SET REQUIRED TAXI SPEED.
6. Yoke – elevator NEUTRAL, ailerons AGAINST crosswind.
7. Brakes – use as required, set throttle to IDLE when stopping.
8. To stop immediately – IGNITION OFF and ENGAGE BRAKES.

#### **5.5 Before takeoff**

1. Hold position – OCCUPY.
2. Brakes – ENGAGE.
3. Coolant temperature – CHECK minimum 60°C (140°F).
4. Oil temperature – CHECK minimum 50°C (122°F).
5. Fuel level – CHECK.
6. Fuel valves – CHECK.
7. Flaps – EXTEND position 1. Wind stronger 8 m/s (16 kts) – FLAPS UP.

#### **5.6 Normal takeoff**

1. Hold position – OCCUPY.
2. Rudder pedals – NEUTRAL.
3. Brakes – RELEASE.
4. Throttle – gradually FULL POWER.
5. Yoke – elevator NEUTRAL, ailerons AGAINST CROSSWIND.
6. Rudder pedals – maintain takeoff direction.
7. Yoke – PULL gently to lift the nose wheel at 40 km/h (25 mph, 22 kts).

8. Liftoff – at 80 km/h.
9. Accelerate to at least 100 km/h (62 mph, 54 kts) at 1-2 m (3-7 ft) and start to climb.

### **5.7 Short/soft field takeoff**

1. Flaps – EXTEND FULLY.
2. Hold position – OCCUPY.
3. Takeoff distance – CHECK if sufficient.
4. Rudder pedals – NEUTRAL.
5. Throttle – gradually FULL POWER.
6. Brakes – RELEASE.
7. Yoke – elevator NEUTRAL, ailerons AGAINST CROSSWIND.
8. Rudder pedals – maintain takeoff direction.
9. Yoke – PULL gently to lift the nose wheel at 40 km/h (25 mph, 22 kts).
10. Liftoff – at 65 km/h (40 mph, 35 kts).
11. Accelerate to at least 90 km/h (56 mph, 49 kts) at 1-2 m (3-7 ft) and start to climb.
12. Speed – SET best angle of climb speed  $V_X = 90$  km/h (56 mph, 49 kts).

### **5.8 Climb**

1. Speed – SET: best angle of climb speed  $V_X = 90$  km/h (56 mph, 49 kts) or  
best rate of climb speed  $V_Y = 100$  km/h (62 mph, 54 kts)  
in strong turbulence +10 km/h (6 mph, 5 kts).
2. Flaps – RETRACT SLOWLY at safe altitude.
3. EGT – max. 850°C (1562°F).
4. Coolant temp. – max. 120°C (248°F).
5. Oil pressure – max. 5.0 bar (73 psi).

### **5.9 Cruise**

1. Flight altitude – OCCUPY and monitor, in strong turbulence – at least 100 m (300 ft).
2. Cruise speed – SET, in strong turbulence – minimum 100 km/h (62 mph, 54 kts),  
maximum 166 km/h (103 mph, 89 kts).
3. Elevator trim tab – ADJUST as required.
4. Fuel level – MONITOR.
5. Fuel valves – check OPEN for fuel tank with fuel, CLOSE empty fuel tank.
6. Turns – perform with caution in strong turbulence and at low altitudes.

### **5.10 Approach**

1. Speed – REDUCE below 148 km/h (92 mph, 80 kts), minimum 100 km/h (62 mph, 54 kts).
2. Flaps – EXTEND position 1. Wind stronger 8 m/s (16 kts) – FLAPS UP.
3. Elevator trim tab – ADJUST as required.

4. Approach speed on final – 100 km/h (62 mph, 54 kts), +10 km/h (6 mph, 5 kts) in rain or strong turbulence.
5. Too high on final – REDUCE RPM, at idle – SLIP.
6. Too low on final – INCREASE RPM. **DO NOT RETRACT FLAPS when flying low over high obstacles or close to the ground!**

### 5.11 Normal landing

1. Direction – ALIGN the airplane WITH THE RUNWAY using rudder pedals.
2. Side drift – ELIMINATE by banking against the drift (crosswind, if any).
3. Flare – start at 3 m (15 ft), level off at approximately 0.3 m (1 ft).  
Gradually reduce bank and side drift while flaring and leveling off.
4. Throttle – IDLE.
5. Touchdown – at minimum speed. **Avoid touching ground with the tail.**
6. Yoke – HOLD to reduce the speed and PUSH gently to lower the nose wheel slowly.
7. Flaps – RETRACT.
8. Brakes – ENGAGE as required. **Avoid braking at a high speed or nose wheel up!**

### 5.12 Short/soft field landing

1. Flaps – EXTEND FULLY.
2. Approach distance – REDUCE by side slipping when clear of obstacles.
3. Approach speed on final – 90 km/h (56 mph, 49 kts), +10 km/h (6 mph, 5 kts) in rain or strong turbulence.
4. Direction – ALIGN the airplane WITH THE RUNWAY using rudder pedals.
5. Side drift – ELIMINATE by banking against the drift (crosswind, if any).
6. Flare – start at 3 m (15 ft), level off at approximately 0.3 m (1 ft).  
Gradually reduce bank and side drift while flaring and leveling off.
7. Throttle – IDLE.
8. Touchdown – at minimum speed at the beginning of the runway.  
**Avoid touching ground with the tail.**
9. Flaps – RETRACT.
10. Yoke – HOLD to reduce the speed and PUSH gently to lower the nose wheel slowly.
11. Brakes – soft field: DO NOT USE;  
short field – ENGAGE as required.  
**Avoid braking at a high speed or nose wheel up!**

### 5.13 Balked landing

1. Throttle – gradually FULL POWER.
2. Descent – DISCONTINUE.
3. Speed – accelerate to at least 100 km/h (62 mph, 54 kts) flying level.
4. Climb – at 100 km/h (62 mph, 54 kts).
5. Flaps – RETRACT SLOWLY at safe altitude.

## 6 Performance

### 6.1 General

This section contains performance data of A-22LS airplane of standard (basic) configuration at maximum takeoff weight in the following environmental conditions: ICAO standard atmosphere (ISA), mean sea level (MSL), no wind, hard and even runway. Those data may vary depending upon the configuration and technical condition of a particular aircraft and actual environmental conditions of its operation.

### 6.2 Takeoff and landing distances

The minimum takeoff and landing distances of A-22LS for the above conditions are specified below. However pilots should always keep in mind that actual takeoff and landing distances depend on condition of the aircraft, environment and pilot skill.

Takeoff/Landing run ..... 100 m (328 ft)

Takeoff/Landing distance to/from 15 m (50 ft) ..... 243 m (797 ft)

### 6.3 Climb performance

The rate of climb depends on atmospheric conditions, airplane takeoff weight and flap setting. The climb performance data of A-22LS in ISA conditions at MSL, maximum takeoff weight are specified below:

Best angle of climb speed  $V_X$  ..... 90 km/h (56 mph, 49 kts)

Best rate of climb speed  $V_Y$  ..... 100 km/h (62 mph, 54 kts)

Maximum rate of climb at  $V_X$  ..... 3.3 m/s (650 fpm)

Maximum rate of climb at  $V_Y$  ..... 3.5 m/s (690 fpm)

### 6.4 Cruise speeds and fuel consumption at various RPM settings

The cruise speeds and fuel consumption depend upon a multitude of factors: propeller pitch and engine adjustments, fuel quality, atmospheric conditions, flight altitude, aircraft loading and condition of its outer surface, etc.

With the KievProp three-blade propeller adjusted to take-off RPM of 5100 per minute and standard condition of atmosphere and aircraft the following cruise speeds and fuel consumption values may be used for flight planning:

RPM	Cruise speed, IAS	Fuel consumption, US gal/h
4000	110 km/h (68 mph, 59 kts)	10 l/h (2.6 US gal/h)
4600	148 km/h (92 mph, 80 kts)	15 l/h (3.9 US gal/h)
5000	161 km/h (100 mph, 87kts)	19 l/h (5.0 US gal/h)
5400	180 km/h (112 mph, 97 kts)	25 l/h (6.6 US gal/h)

However these values should be considered as approximate as they may vary due to effect of the above mentioned factors. It is recommended to verify those values for the particular conditions in which the exact values are required.

## 7 Weight and Balance and Equipment List

This section contains information about weight and balance requirements for the safe operation of the airplane. It is responsibility of the pilot in command to ensure before every flight that weight and balance of the airplane remains within the specified limits. Failure to do so may cause deterioration in airplane's flight performance and stability characteristics and, as consequence, lead to unsafe operation.

### 7.1 Weight and Balance Chart

This subsection contains weighing and CG location data of the aircraft in configuration "as manufactured". Any permanent modification of the aircraft configuration (such as replacement, removal/installation of any parts or/and equipment) essentially affecting those data shall be accounted for in this weight and balance chart by appropriate revisions of this subsection data.

Weight readings at: front wheel ... 71.8 kg  
                             left wheel.... 130.3 kg  
                             right wheel.. 129.2 kg  
 Total empty weight:..... 331.3 kg  
 Total maximum take-off weight ..... 600 kg

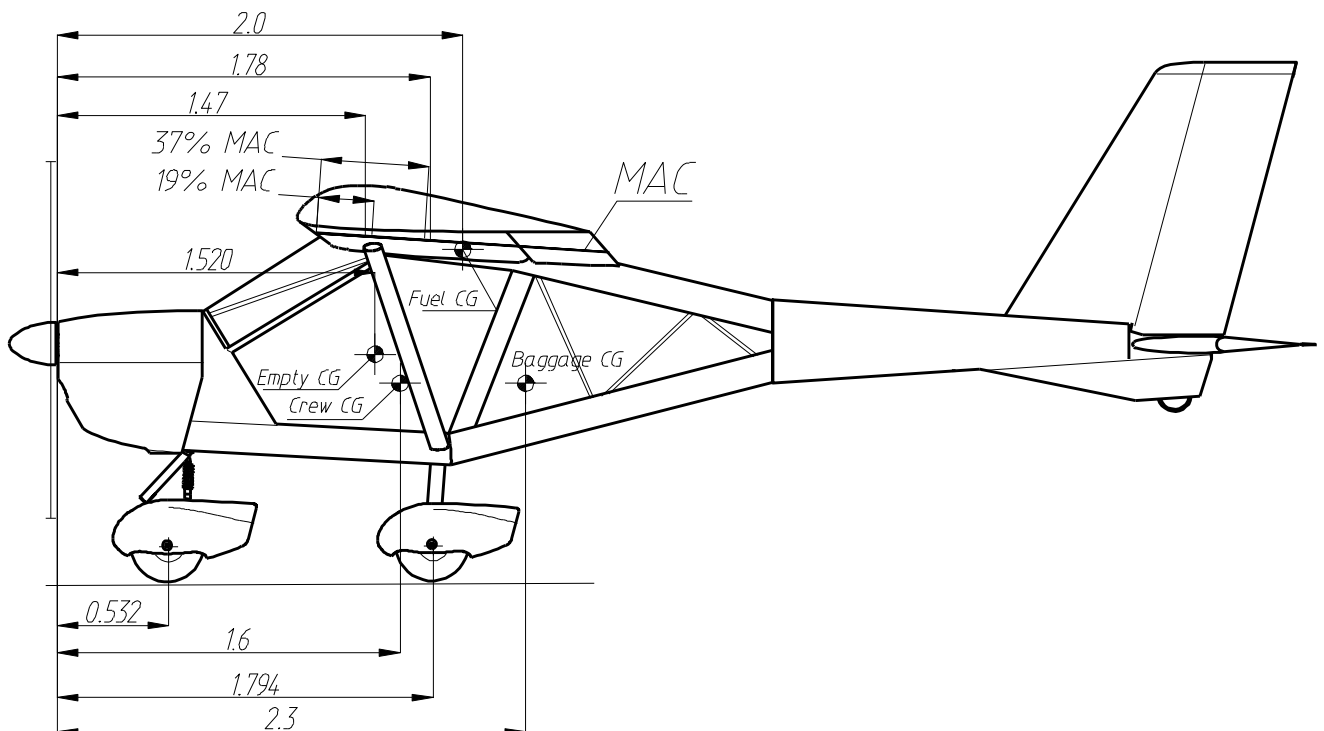


Fig. 2

Empty C.G. position from the datum (engine flange):

$$X_{CG_{empty}} = (71.8 \times 0.532 + (129.2 + 130.3) \times 1.794) / 331.3 = 1.520$$

C.G. position for the maximum take-off weight:

Item	Weight, kg	×	CG arm, m	=	Moment, kg×m
Empty weight	331.3	×	1.520	=	503.7
Crew (2×90 kg)	180.0	×	1.60	=	288.0
Baggage	20.0	×	2.30	=	46.0
Full fuel (90 l)	64.8	×	2.0	=	129.6
<b>Total:</b>	<b>596.1</b>				<b>967.3</b>
X <sub>CG</sub> = Total moment / Total weight =					1.623 m

**Note:** X<sub>CG</sub> must be between 1.47 m and 1.78 m (19% and 37% MAC) as shown in Fig. 2.

### 7.2 Installed equipment list

This subsection contains a table with the list of the installed optional equipment affecting weight and balance of the aircraft. It is responsibility of the aircraft owner/operator that any such equipment installed in the aircraft after the date of its manufacture is listed in the table below.

No.	Equipment description and Part No.	Weight, kg	CG arm, m
1.			
2.			
3.			
4.			
5.			
6.			

## 8 Airplane and Systems Descriptions

### 8.1 General

This section provides description and operation of the airplane and its systems. Some equipment described herein is optional and may not be installed in the airplane. Refer to Section 9, Supplements, for details of other optional systems and equipment.

### 8.2 Airframe

Wing: high placed, strut braced, constant chord. Wing section is P-IIIa-15%. Wing primary structure consists of a single spar, ribs and aft web. Forward of the spar the wing has 2024T3 aluminum alloy skin of 0.020-0.032 in sheet, which together with the spar web forms the wing torsion box. Aft of the spar the wing is covered with the metal skin on top and thermoshrinkable fabric on the bottom side. Wing ribs are made of 6061T6 sheet of 0.020-0.032 in thickness. The spar is a riveted structure consisting of a web, made of 0.032 in 6061T6 sheet, and caps, made of an extruded section (D16chT alloy angle). The wing strut attachment bracket and front attachment bracket of the wing are fixed to the spar. The rear attachment bracket of the wing is fixed to the aft web. The flaperon (drooping aileron) hinge brackets are fixed to ribs No. 1, 5, 9 and 13. All brackets are made of 5 mm 2024T3 sheet.

The primary structure of the flaperon consists of the leading edge skin, spar, trailing edge section and ribs. The LE skin and spar comprise the torsion box. Flaperon covering is made of synthetic thermoshrinkable fabric.

The fuselage is an all-metal structure. The mid section is made of the 2024T3 aluminum alloy bent sheet sections of 0.063 to 0.080 in thickness, which form the edges of the mid section. The tail boom is a monocoque structure made of 0.032 in 2024T3 aluminum alloy sheet.

Engine cowling is made of composites.

The fuselage has 6 frames (bulkheads). Frames No. 1, 2, 4, 5 and 6 are press-formed of an aluminum alloy sheet; frame No. 3 is made of bent sheet sections. Power plant and nose LG attachment points are attached to the frame No. 1, the engine mount taking part in transferring the loads from the nose LG onto the fuselage structure.

The wing and strut attachment brackets as well as the main LG legs attachment brackets are attached to the frame No. 3. Frames No. 4, 5, 6 are installed in the tail boom.

The fin and ventral fin with the tail wheel are attached to the frames No. 5 and 6.

The bottom and part of the topside of the mid fuselage section are covered with aluminum alloy sheets of 0.020 in thickness.

The doors, cockpit and part of the fuselage have windows of organic glass.

The primary structure of the stabilizer consists of ribs and a spar. The skin is a 2024T3 aluminum alloy sheet of 0.020 in thickness. The stabilizer has brackets of its attachment to fuselage and 3 elevator hinge brackets.

The fin, structurally similar to the stabilizer, is made as integral part of the fuselage.

Elevator and rudder structures are similar to that of the flaperons.



### 8.3 Landing gear

Airplane landing gear is of tricycle type with steerable nose wheel. The main LG is of the cantilever spring type. The main LG leg is a spring machined of a round aluminum bar. It is attached to the lower boom of the frame No. 3 at two points: upper and lower supports. The support brackets are machined of aluminum alloy. The main LG wheels are fitted with hydraulic disk brakes.

The nose LG leg is steerable, of trailing link type. The steering is ensured using the rudder pedals via pushrods, connecting the left and right side pedals with bellcrank on the strut. The leg consists of a strut and a trailing link in form of nose wheel fork. The trailing link is connected to the strut with a spring shock absorber/damper.

The nose leg is attached to the frame No. 1 at 2 points – on upper and lower supports. The upper support is made of 5 mm 2024T3 aluminum alloy sheet and the lower one is build-up. The supports are fitted with brass bearings.

Each wheel is fitted with a wheel spat (fairing) or mud screens (in case of the low-profile tires and 6.00×6 wheels).

Landing gear data: wheel base – 1.71 m (5 ft 7 in),  
wheel track – 1.26 m (4 ft 2 in),  
min. turn radius ~ 2 m (7 ft).

Main wheels: size – 5.00×5 or 6.00×6  
pressure – 1.6 bar (22.7 psi)

Nose wheel: size – 5.00×5 or 6.00×6 brakeless wheel  
steering angle –  $\pm 30^\circ$   
pressure – 1.6 bar (22.7 psi)

### 8.4 Engine and its controls

This aircraft is equipped with a four-cylinder four-stroke Rotax-912ULS (100 hp) carburetor combined cooling engine produced by BOMBARDIER-ROTAX Inc. (Austria).

The engine is has the flat-four layout, dry sump lubrication system with a separate oil tank of 3 l (0.8 US gal) capacity, automatic valve clearance adjustment, two carburetors, mechanical membrane fuel pump, double electronic ignition system, integrated water pump, electrical starter, integrated gearbox of 2.43 reduction ratio.

All engine systems (fuel, electrical, cooling) are assembled in accordance with Rotax-912 engine operation manual.

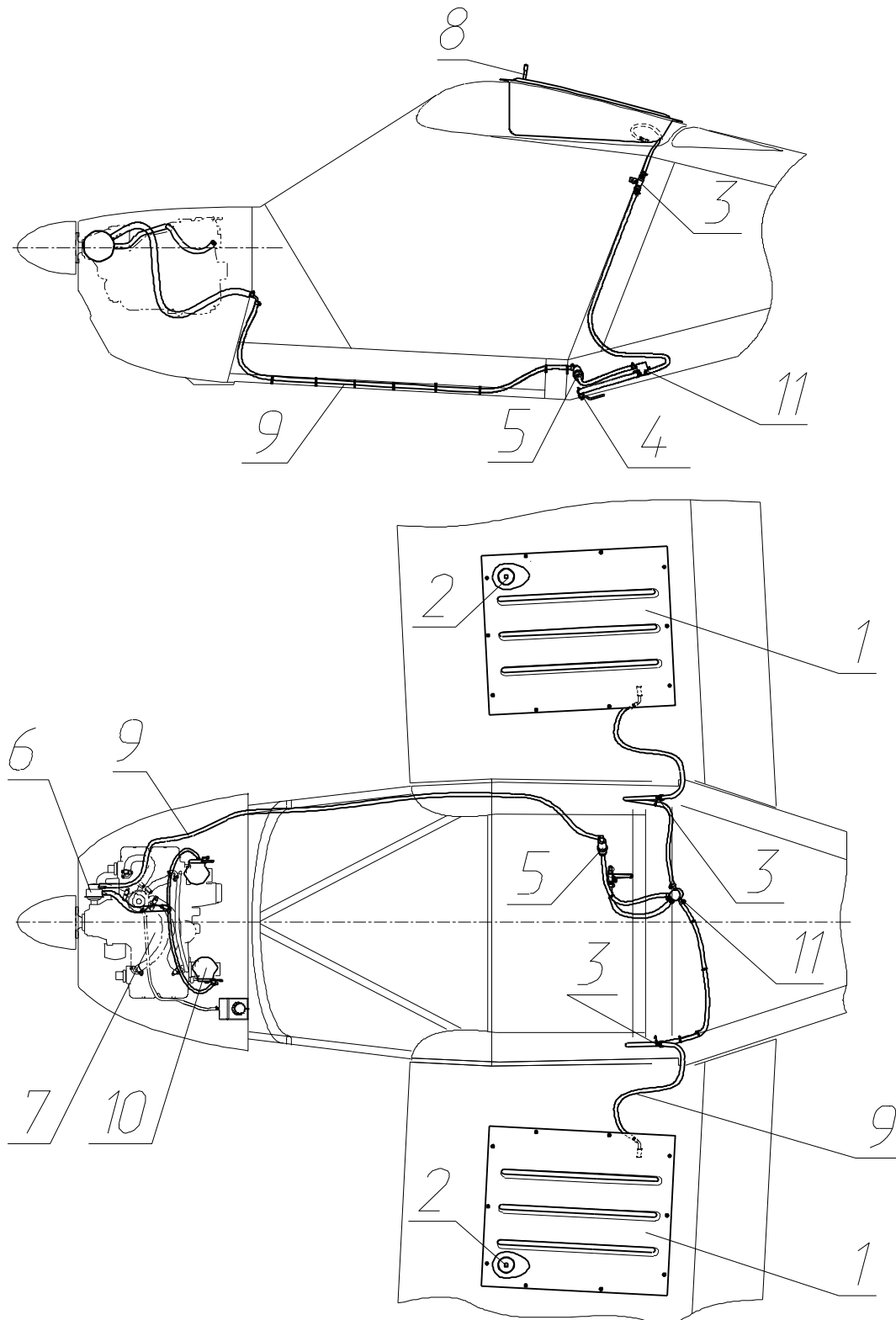
The engine is fitted with an air intake pre-heater box designed by Aeroprakt, which improves engine operating conditions, preventing carburetor icing in cold weather and increasing the engine output in hot weather.

### 8.5 Propeller

This aircraft is equipped with KievProp three-blade on-ground adjustable propeller of 1.8 m (71 in) diameter.

## 8.6 Fuel system

The fuel system (see **Fig. 3**) includes two wing fuel tanks 1 (each 45 l capacity, 57 l fuel tanks are optional) with filler inlets 2 and fuel lines 9 connecting the tanks to each other and to the engine fuel pump 6 (that is feeding fuel to the engine carburetors 10) via two fuel valves 3, mud box 11 and fuel filter 5. Fuel can be drained from the tanks using the drain valve 4. The fuel tanks are connected with the atmosphere via the vent lines 8 in inlet covers 2.



**Fig. 3. Fuel system schematic**

NOTE: When both tanks are full, fuel may flow from one tank to the other (e.g. due to the lateral forces during side slipping or when wings are not level on parking or during taxiing), overfill it and spill out through the vent line. To prevent this close one of the fuel valves.

**CAUTION! At all times during the flight ensure fuel coming to the engine by opening the valve(s) of the tank(s) WITH fuel. If one of the tanks is empty, close its valve to prevent air getting into the fuel line and causing engine malfunction or even failure.**

Capacity of tanks: 2×45 l (2x11.9 US gal)  
 Total fuel capacity: 90 l (23.8 US gal)  
 Total usable fuel: 89 l (23.5 US gal)  
 Non-usable fuel: 1 l (0.3 US gal)  
 Fuel: unleaded avgas with RON 95 or above

## 8.7 Airplane control systems

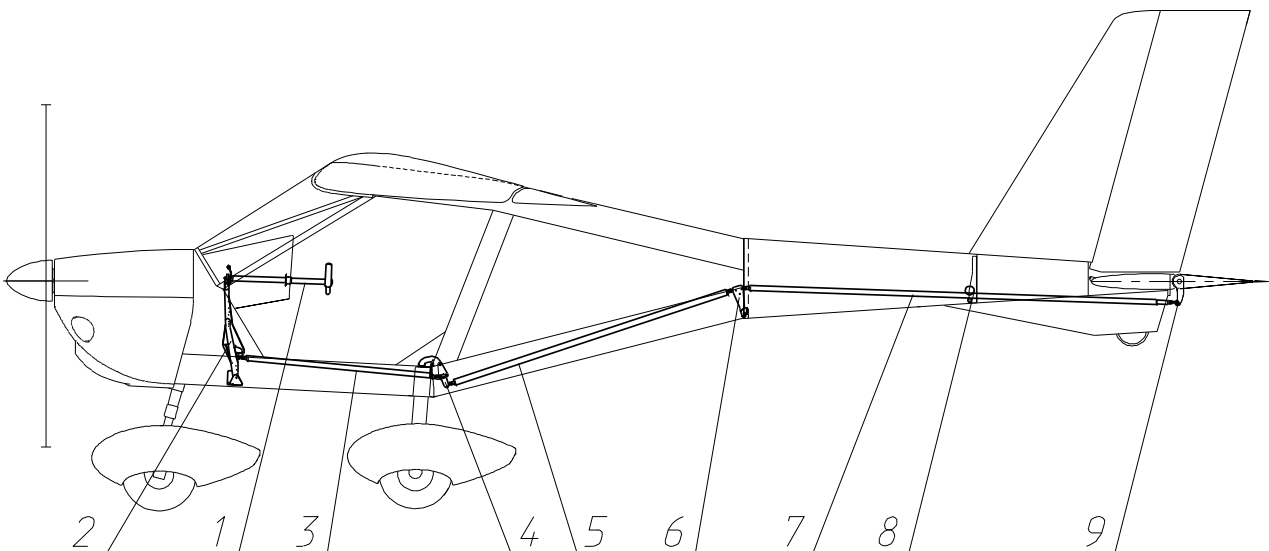
Airplane control systems include control systems for drooping ailerons (flaperons), elevator with trim tab, rudder and nose wheel, engine and brakes.

The control system is combined consisting of foot- and hand-actuated subsystems.

Ailerons and elevator are hand-actuated and are controlled using yokes.

### 8.7.1 Elevator control system

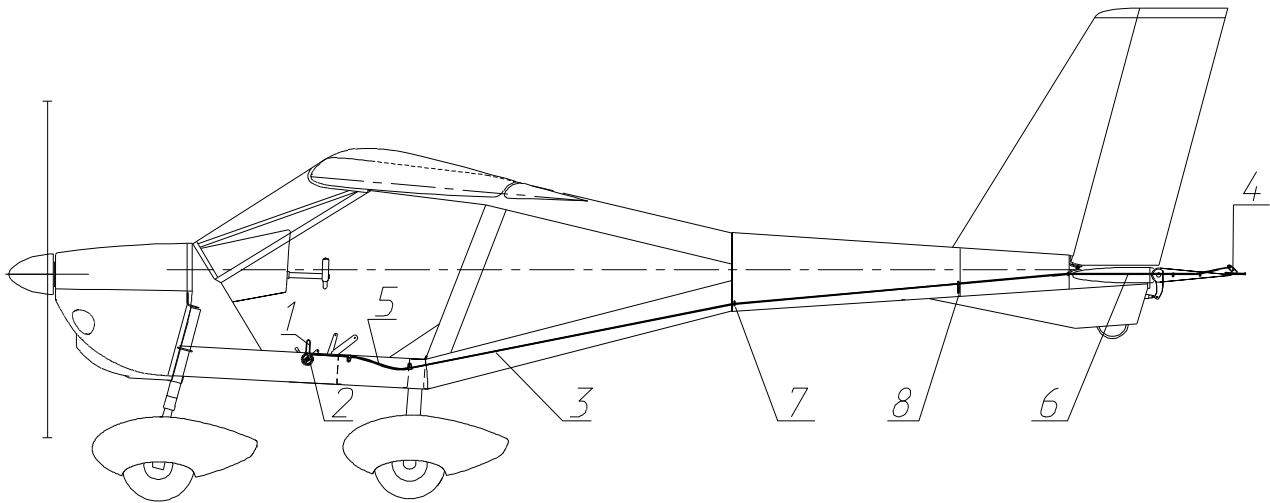
The elevator control system linkage (see **Fig. 4**) is rigid, comprising 3 pushrods and 2 bellcranks. “Push” and “pull” forces are applied by the pilot to the yoke 1 is passed via the control column 2 to the pushrod 3, then via the bellcrank 4 to the pushrod 5. The force is transferred to the elevator via the pushrod 7, attached to the bellcrank 6. And the pushrod 7 is supported by the rollers 8 and connected to the elevator arm 9.



**Fig. 4**

### 8.7.2 Elevator trim tab control system

Elevator trim tab is used for controlling the force on control yokes in pitch. The trim tab control lever is accessible from both pilot seats.



**Fig. 5**

The trim tab control lever 1 (**Fig. 5**) is placed on the central console. It is retained in place by friction adjusted using the wheel 2.

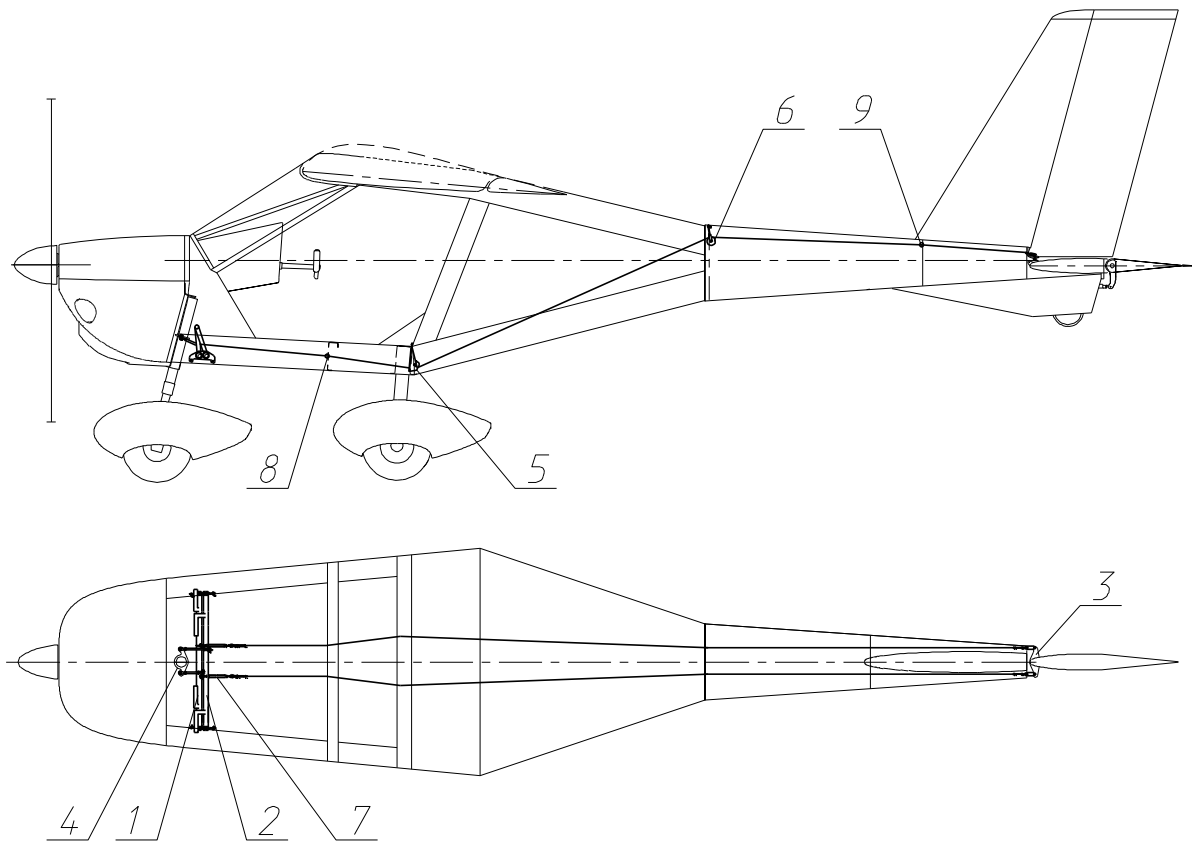
The trim tab control lever is connected with a cable 3 to the trim tab control arm 4. The cable is running through the flexible conduits 5 (in the central console) and 6 (in stabilizer) and cable fairleads 7 and 8 inside the tail boom. The trim tab is hinged to the elevator trailing edge on a wire serving also as a torsion spring.

The trim tab angles of deflection are: upward  $21\pm 1^\circ$ , downward  $22\pm 1^\circ$ .

### 8.7.3 Rudder and nose wheel control system

Rudder and nose landing gear are controlled using pedals. Rudder is connected to the pedals in the cockpit with two cables of 2.7 mm (0.11 in) diameter. The pedals are attached to two shafts (shaft for left pedals 1 and shaft for right pedals 2) hinged to the lower fuselage beams (**Fig. 6**). Each shaft has two arms. One of the arms is connected with a cable to the rudder control arm 3, the other - with a rod - to the nose landing gear control arm 4. Rudder control cables are running from the pedals to the rudder control arms via pulleys 5, 6 installed at frames No. 3 and 4 and fairleads 8, 9 on pilot seat beam and frame 5. Tension of the cables is adjusted using turnbuckles 7 attached to the pedal shaft arms.

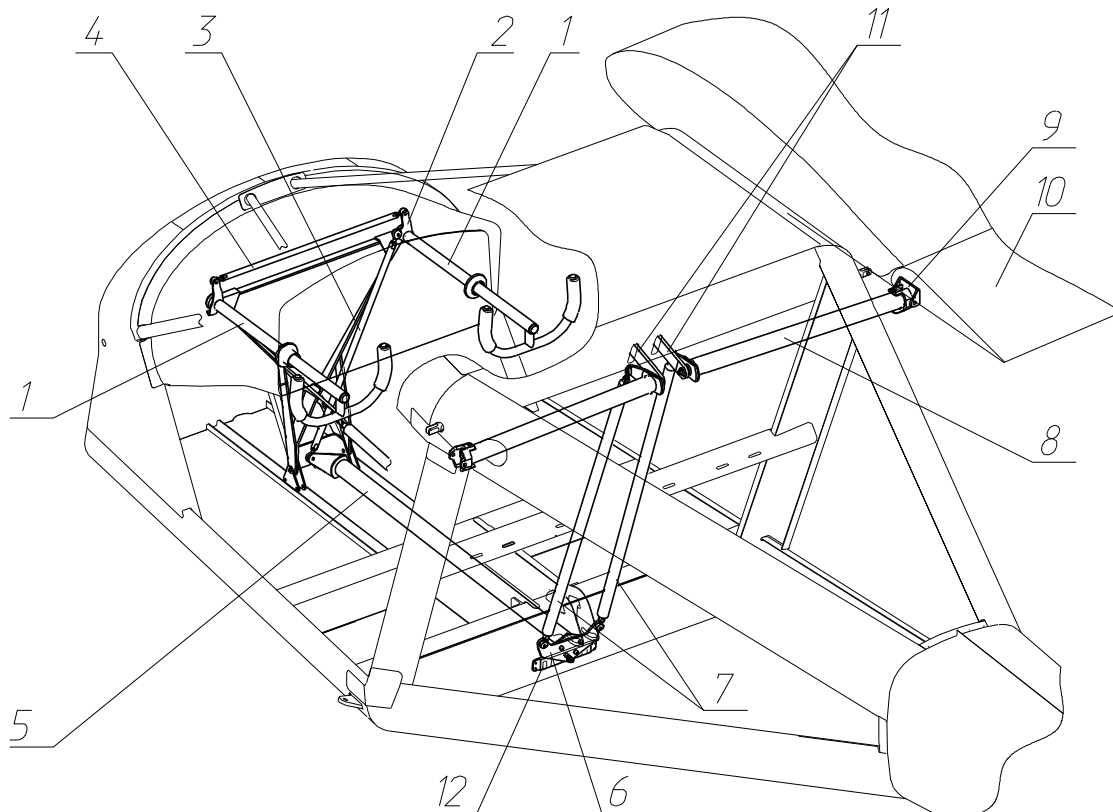
In its neutral position the rudder is rotated to the right by the angle of  $+2^{\circ}20'$  for compensation of the engine torque. The rudder deflection angle is  $25 \pm 1^{\circ}$ .



**Fig. 6. Rudder and nose landing gear control system**

### 8.7.4 Control system of flaperons (drooping ailerons)

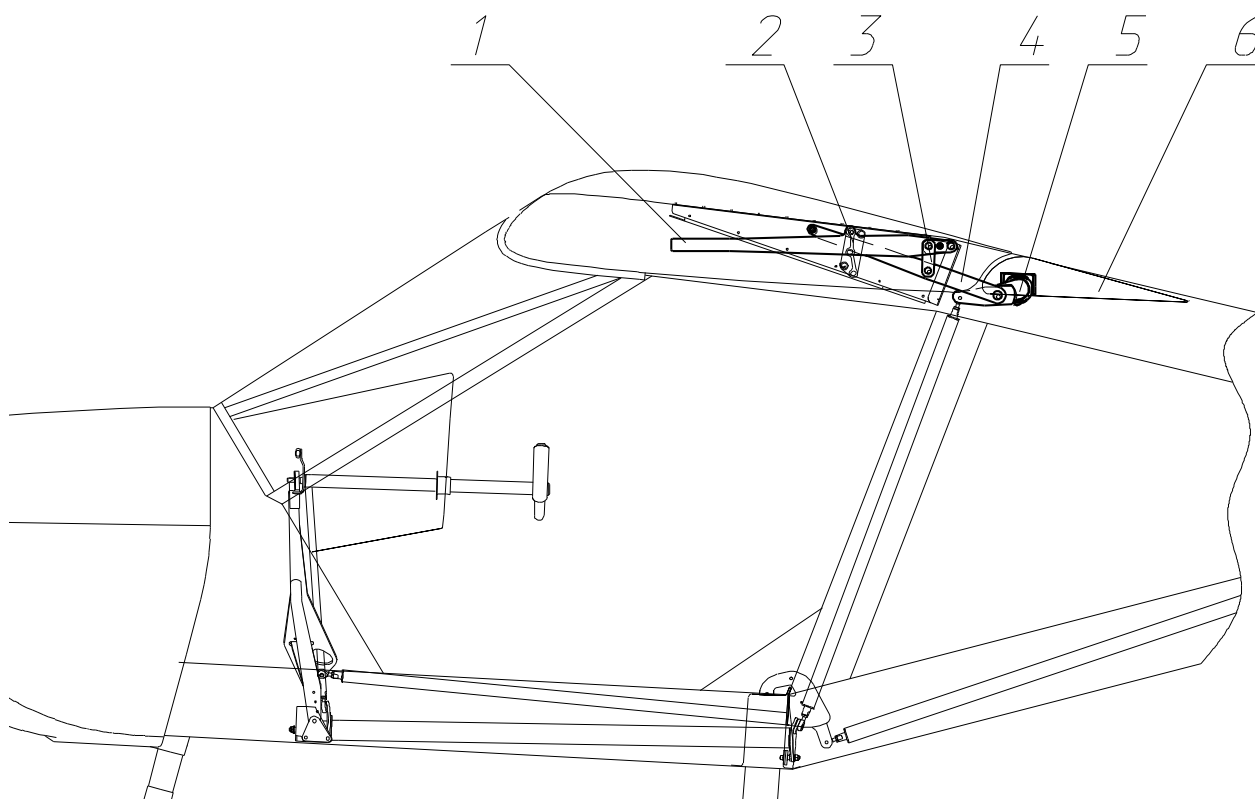
The airplane is equipped with flaperons (drooping ailerons), which serve as both ailerons and flaps. The flaperon control system ensures independent function of flaperons as ailerons and flaps using a differential mechanism.



**Fig. 7. Control system of flaperons (drooping ailerons)**

The control force in roll (to turn the yoke, **Fig. 7**) applied by the pilot to the yoke 1 is passed via the lever 2 to the pushrod 3 and then to the central control shaft 5. The yokes are interconnected with the pushrod 4. Then from the bellcrank 6 attached to the shaft it is passed via the pushrods 7 to the flaperon control shafts 8. The shafts are attached via a Cardan joint 9 to the bracket at the root end rib of the flaperon 10 at one end and to the trunnion on the levers 11 of the flap control mechanism at the other. Stops 12 limit the rotation angle of bellcrank 6 on the central control shaft and, therefore, angles of yoke rotation and aileron deflection.

Deflection angles of the flaperons (as ailerons): up –  $19 \pm 1^\circ$ , down –  $13 \pm 1^\circ$ .



**Fig. 8. Flap extension mechanism**

As flaps (**Fig. 8**) the flaperons are extended by setting the flap extension lever 1 to the required positions and thus rotating the flap shafts 5 by the respective angles via link 3 and levers 4. Locking of the flap setting is achieved by means of the stopper block 2 with three slots for the locking pin on the flap extension lever. Unlocking is achieved by bending the flexible flap extension lever to the side and thus taking the locking pin out of the fixing slot. When the required flap setting is selected the locking pin is aligned with the fixing slot and the flap extension lever springs back inserting the locking pin into the fixing slot.

Deflection angles of the flaperons (as flaps): 1<sup>st</sup> position  $-9^{\circ}30' \pm 1^{\circ}$ , 2<sup>nd</sup> position  $-18^{\circ}50' \pm 1^{\circ}$ .

### 8.7.5 Engine controls

The engine controls are accessible from both right and left side pilot seat. Engine RPM is controlled using a single throttle lever located on the central console. Two control cables connect the throttle lever to the left and right carburetors on the engine.

The fuel mixture control (for engine starting) is achieved using the choke lever also located on the central console near the throttle lever. The choke lever is connected to the carburetors with cables as well.

Carburetor heating control knob is located on the instrument panel. It controls position of a shutter in the air intake box. When the shutter is open, the colder outside air is coming through the air scoop into the air intake box and then to the carburetors. When the shutter is closed, the carburetors are supplied with the hotter air from the engine compartment and thus the carburetor heating is ensured.

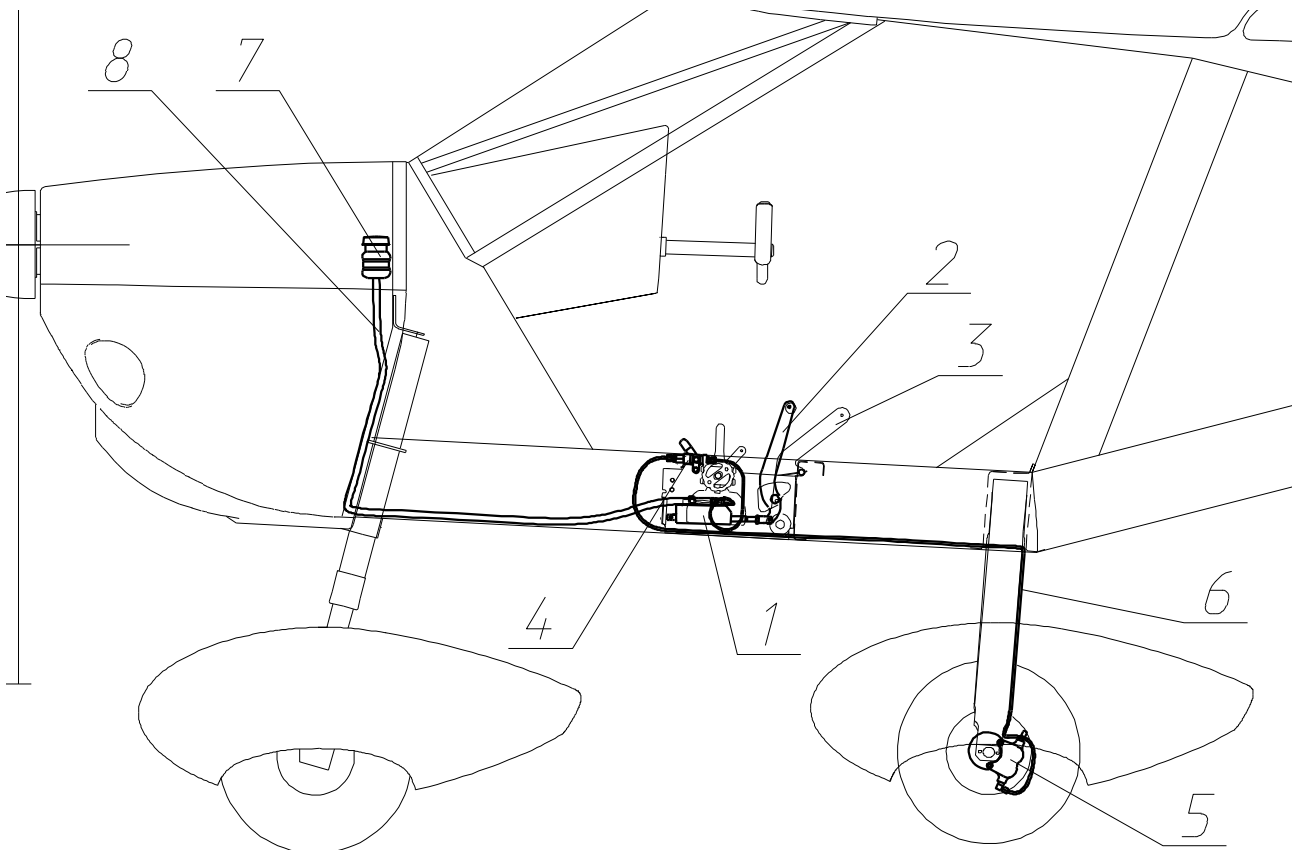
### 8.7.6 Brake control system

The main wheel brakes (Fig. 9) are actuated hydraulically using the brake lever 2 (installed next to the throttle lever 3) controlling the pressure supplied from the master cylinder 1 to the slave cylinders 5 in the wheels.

The main LG wheels have disk brakes. The cylinders are connected to each other with copper tubing 6 with outside diameter of 3 mm. The master cylinder 1 is connected with a hose 8 to the extension tank 7, installed on the firewall in the engine compartment.

When the brake lever is pulled the brake pads squeeze the brake disc creating the braking moment proportional to the applied force.

A-22LS is equipped also with a parking brake, which is actuated with a lever 4 on the central console. To use the parking brake, set the lever to 'Parking brake ON', then pull and release the brake lever. The brake pads will remain pressed to the brake disc. To release the parking brake set its control lever to its initial position ('Parking brake OFF').



**Fig. 9. Brake control system**



### 8.8 Instrument panel

This airplane has the following flight instruments set and instrument panel arrangement:

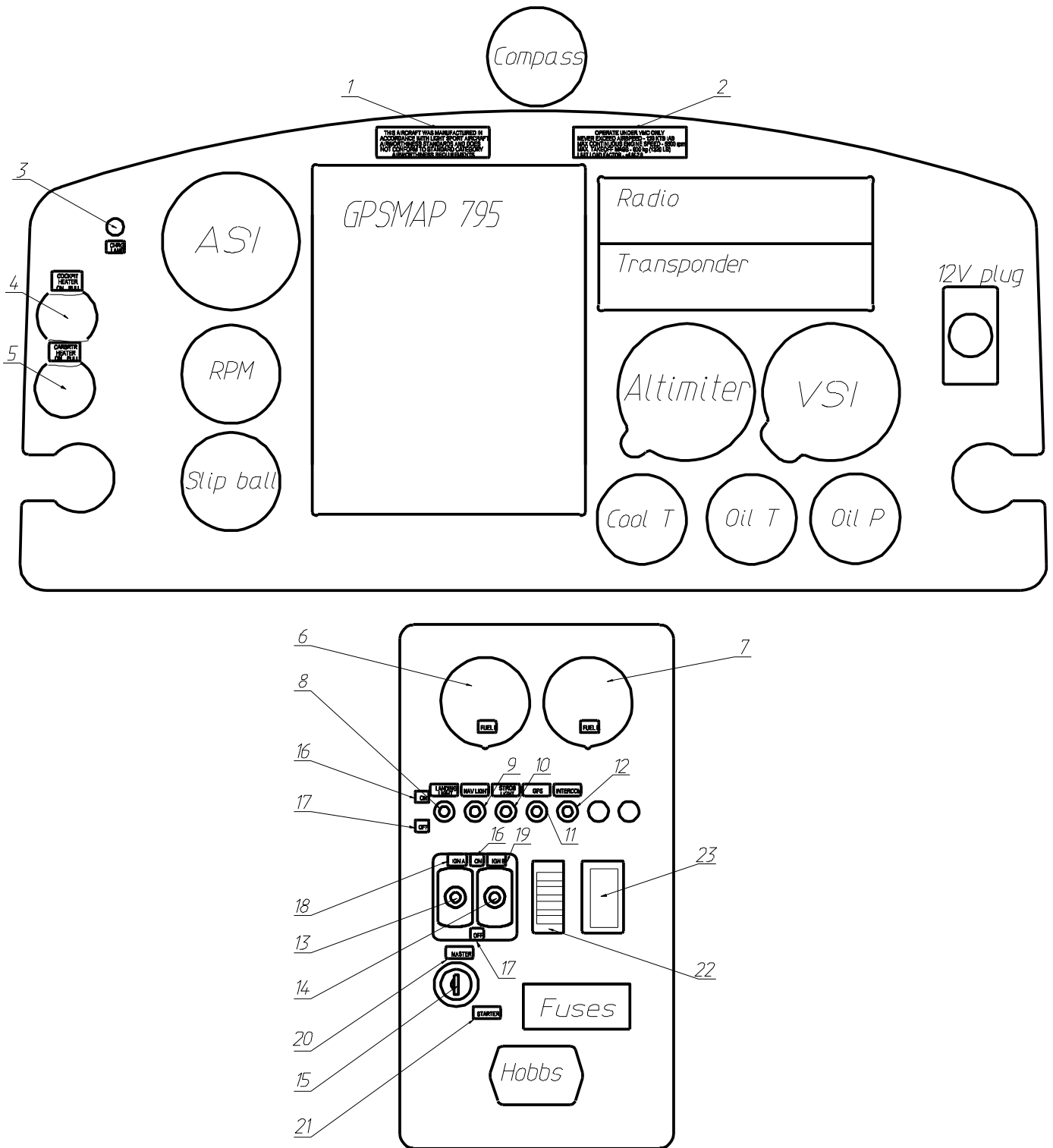


Fig. 10

**Numbers in Fig. 10 denote the following:**

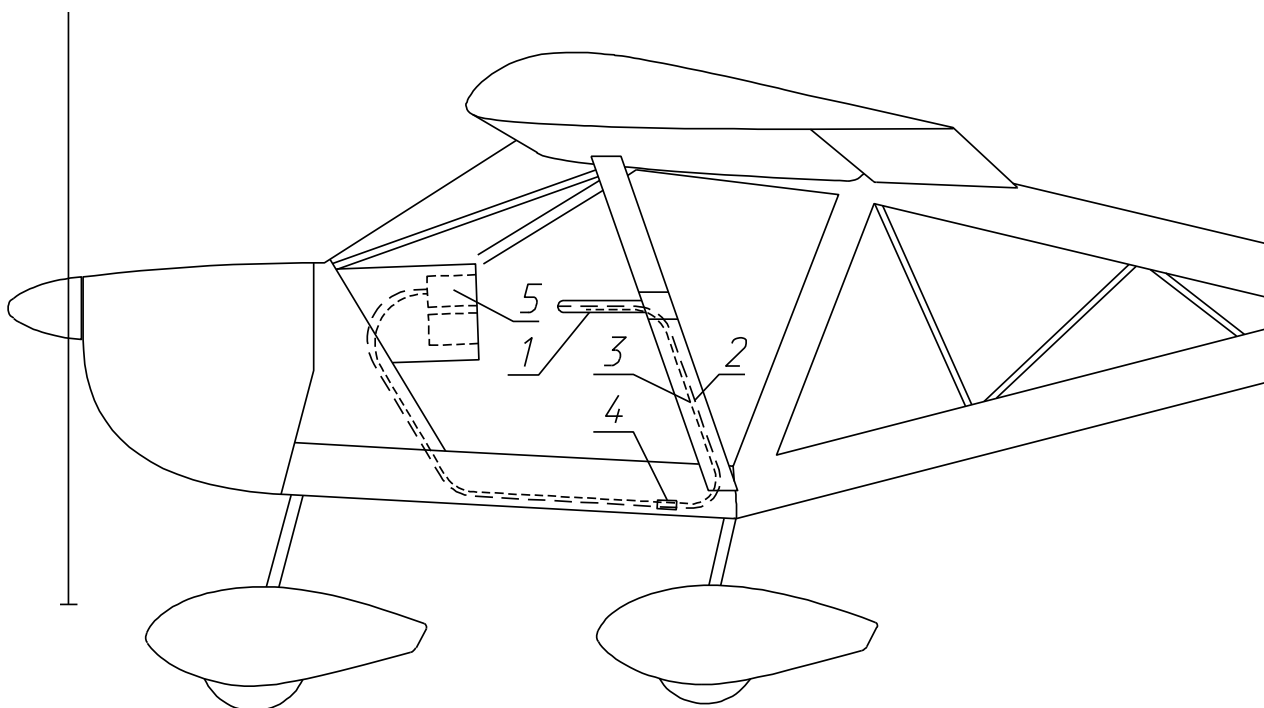
1. Placard with passenger warning: "THIS AIRCRAFT WAS MANUFACTURED IN ACCORDANCE WITH LIGHT SPORT AIRCRAFT AIRWORTHINESS STANDARDS AND DOES NOT CONFORM TO STANDARD CATEGORY AIRWORTHINESS REQUIREMENTS"
2. Placard with operating limitations: OPERATE UNDER VFR ONLY  
NEVER EXCEED SPEED = 124 KTS IAS  
MAX CONTINUOUS ENGINE SPEED = 5500 RPM  
MAX TAKEOFF MASS = 600 KG (1320 LB)  
LIMIT LOAD FACTOR = +4.0 / -2.0
3. NO CHARGE indicator and marking
4. Cockpit heating control knob and marking
5. Carburetor heating control knob and marking
6. Left tank fuel level indicator and marking "FUEL R"
7. Right tank fuel level indicator and marking "FUEL L"
8. Landing light switch and marking
9. Navigation lights switch and marking
10. Strob. lights switch and marking
11. GPS switch and marking
12. Intercom switch and marking
13. IGN A switch
14. IGN B switch
15. Master and starter key
16. ON marking for electric and ignition switches
17. OFF marking for electric and ignition switches
18. IGN A marking
19. IGN B marking
20. Master marking
21. Starter marking
22. Trim tab indicator
23. Trim tab button

## 8.9 Full and static pressure system

This system supplies the full (dynamic) and static pressure of the outside air to the instruments measuring the flight parameters: airspeed, rate of climb and altitude. The system consists of the full and static pressure probe 1 and full 2 and static 3 pressure lines connecting the probe to the instruments (see **Fig. 11**). Full and static pressure lines have joints 4 used to disconnect the lines when the left wing is removed during aircraft disassembly.

The full and static pressure lines are connected to the airspeed indicator(s). Static pressure for altimeter and vertical speed indicator is supplied from the cockpit.

Good condition of the full and static pressure system is important for correct measurement of the flight parameters and therefore for flight safety. Pilots must take measures to keep the system in good condition: protect the full and static pressure probe with a cover (marked with a red "Remove before flight" flag) and inspect the probe and lines during the preflight check to make sure that they are not damaged or blocked (by water, ice, dirt, etc.).



**Fig. 11. Full and static pressure system**

## 8.10 Electrical system

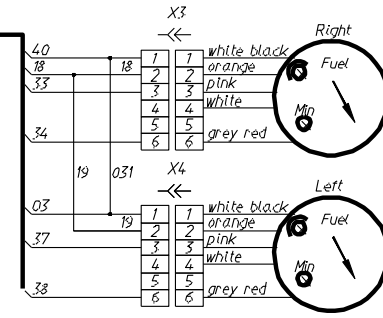
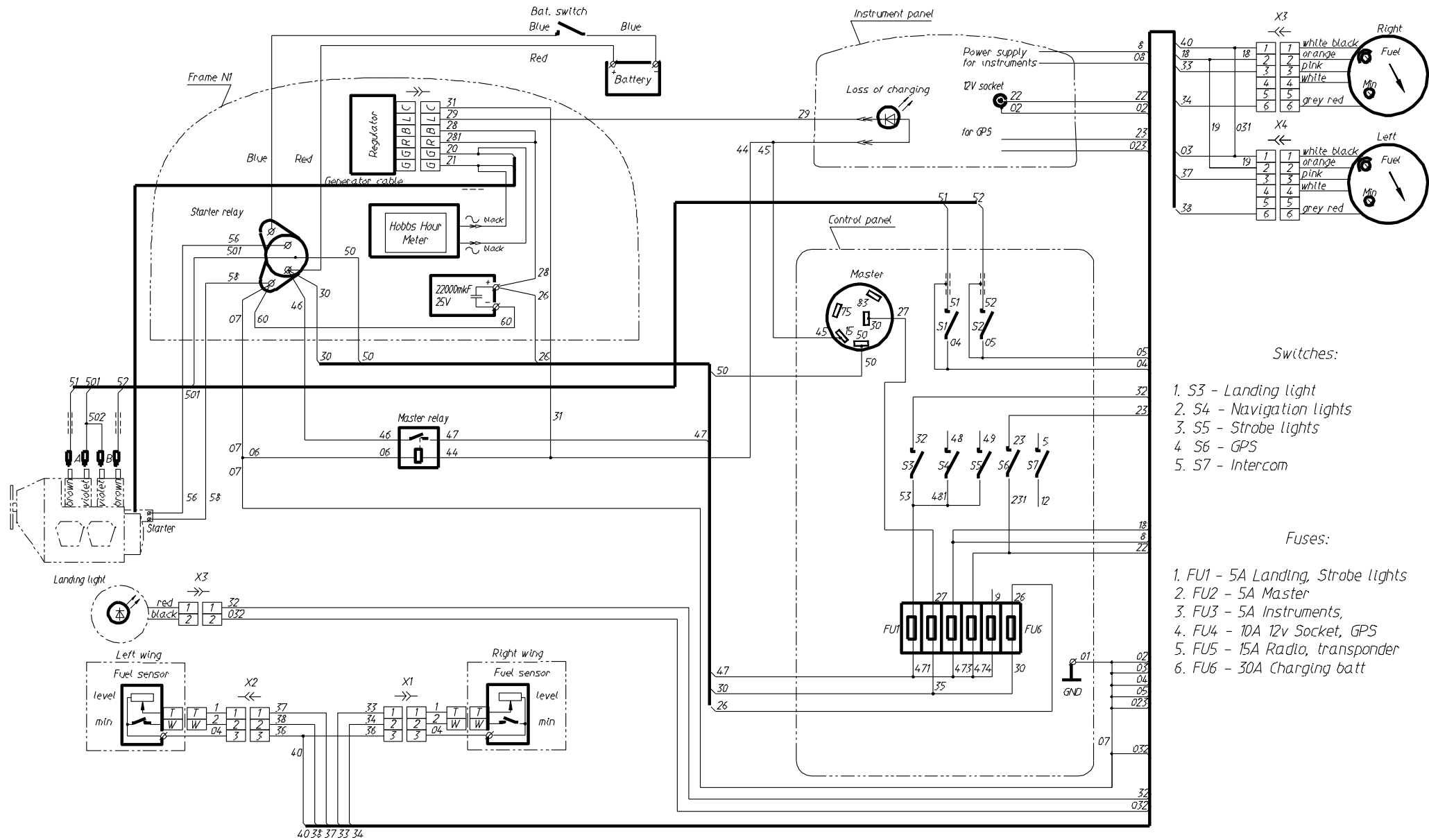
Electrical system of A-22LS serves for generation of electrical power and supplying it to the onboard electrical consumers.

When engine is running (its RPM is above 1400), electrical power is generated by the engine alternator, converted by a rectifier-regulator (located on the firewall) and is stored in a 14V DC 19Ah battery, located behind the left pilot seat. The battery is supplying electrical power to the consumers (engine starter, instruments, lights, etc.) through the electrical cables of appropriate section (depending on the consumed current), switches and fuses (located on the instrument panel). The fuses are required to protect the electrical system and consumers from short circuit and must be of appropriate type and size.

MASTER switch controls power supplies of all onboard consumers (except for the engine ignition system and consumers with their own built-in power source, e.g. GPS) together

with the electrical switches for separate consumers. The engine ignition system may be switched ON/OFF only with the ignition switches.

Electrical system wiring depends on the electrical equipment/instruments installed in the aircraft and therefore has main and additional (optional) portions. The respective wiring diagrams are shown on **Fig. 12**, to **Fig. 18**.



Switches:

1. S3 - Landing light
2. S4 - Navigation lights
3. S5 - Strobe lights
4. S6 - GPS
5. S7 - Intercom

Fuses:

1. FU1 - 5A Landing, Strobe lights
2. FU2 - 5A Master
3. FU3 - 5A Instruments,
4. FU4 - 10A 12v Socket, GPS
5. FU5 - 15A Radio, transponder
6. FU6 - 30A Charging batt

Fig. 12. Wiring diagram of A-22LS electrical system (main)

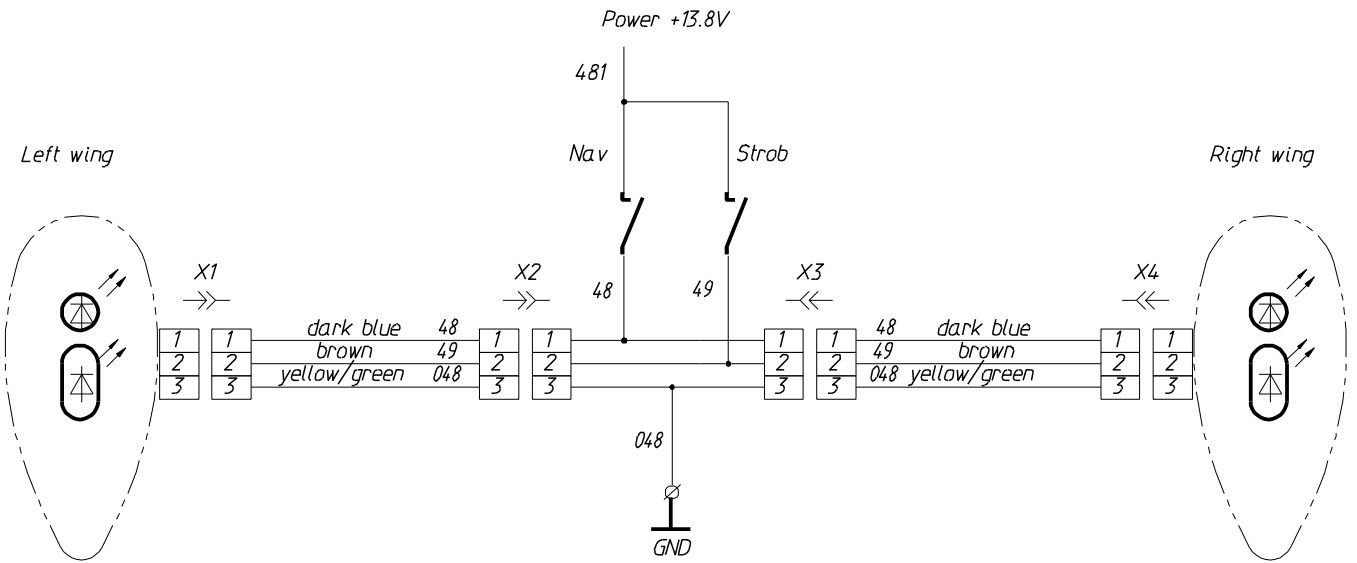


Fig. 13. Wiring diagram for installation of strobes

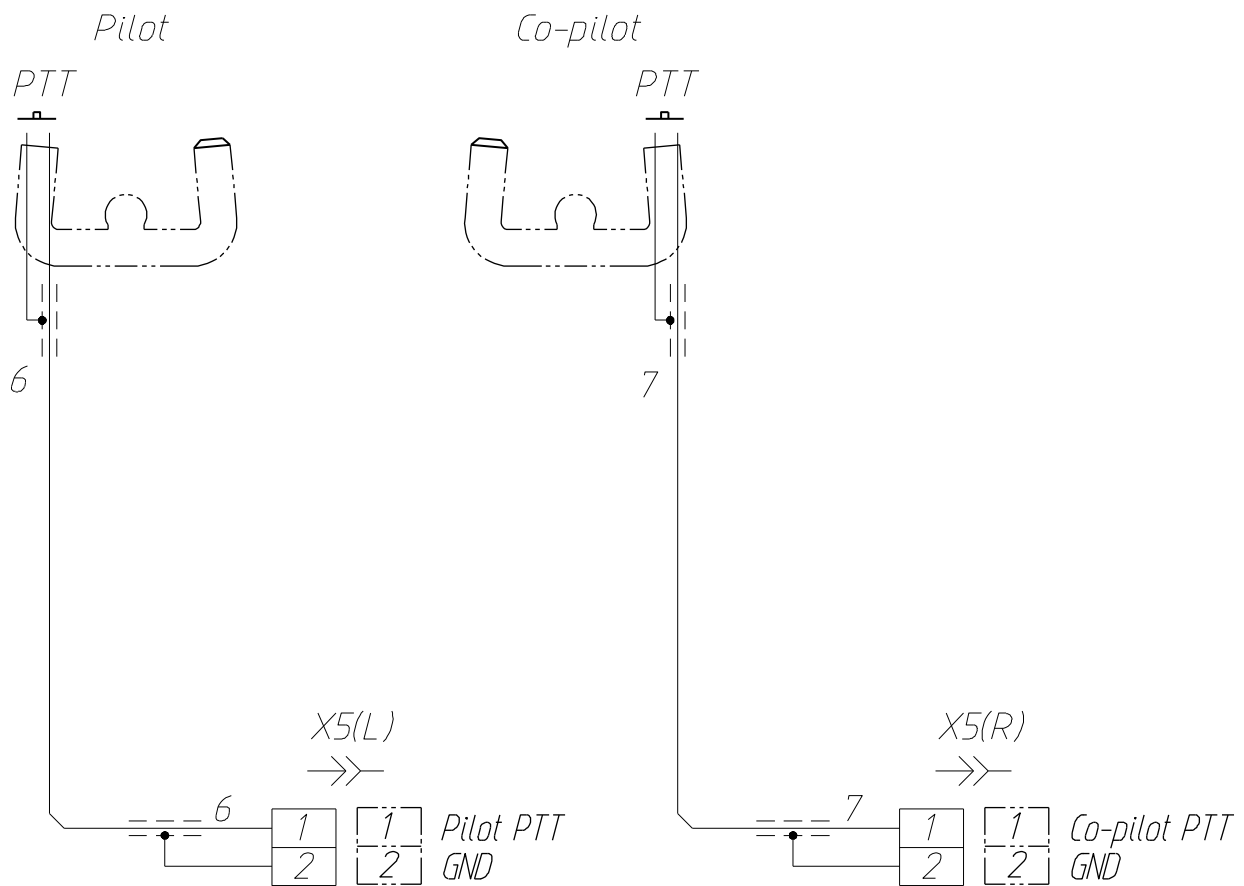
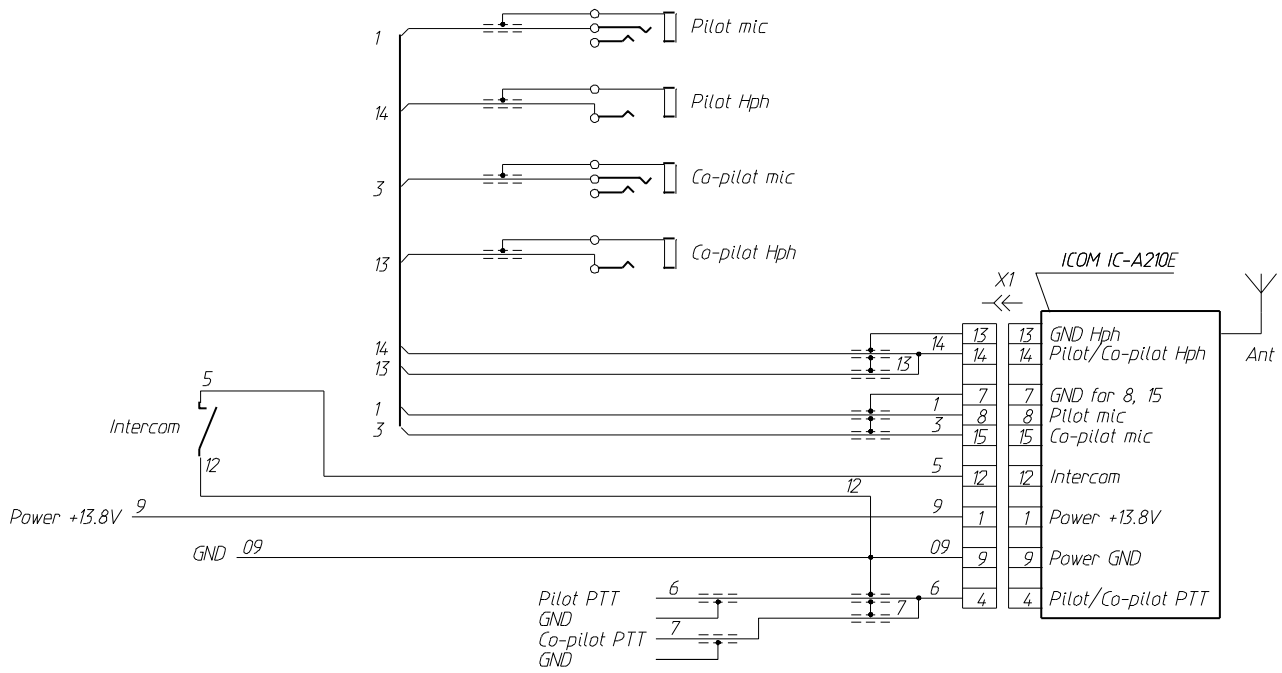
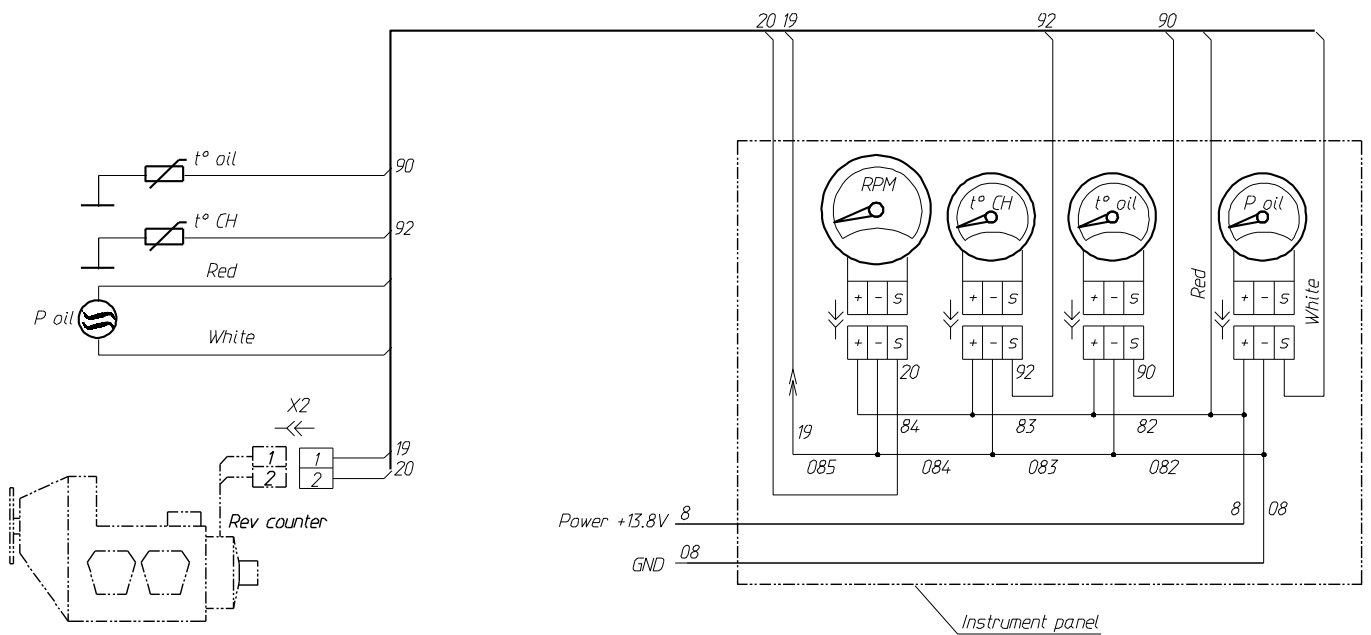


Fig. 14. Wiring diagram for installation PTT buttons



**Fig. 15. Wiring diagram for installation of ICOM-210 radio**



**Fig. 16. Wiring diagram for installation of analog engine instruments**

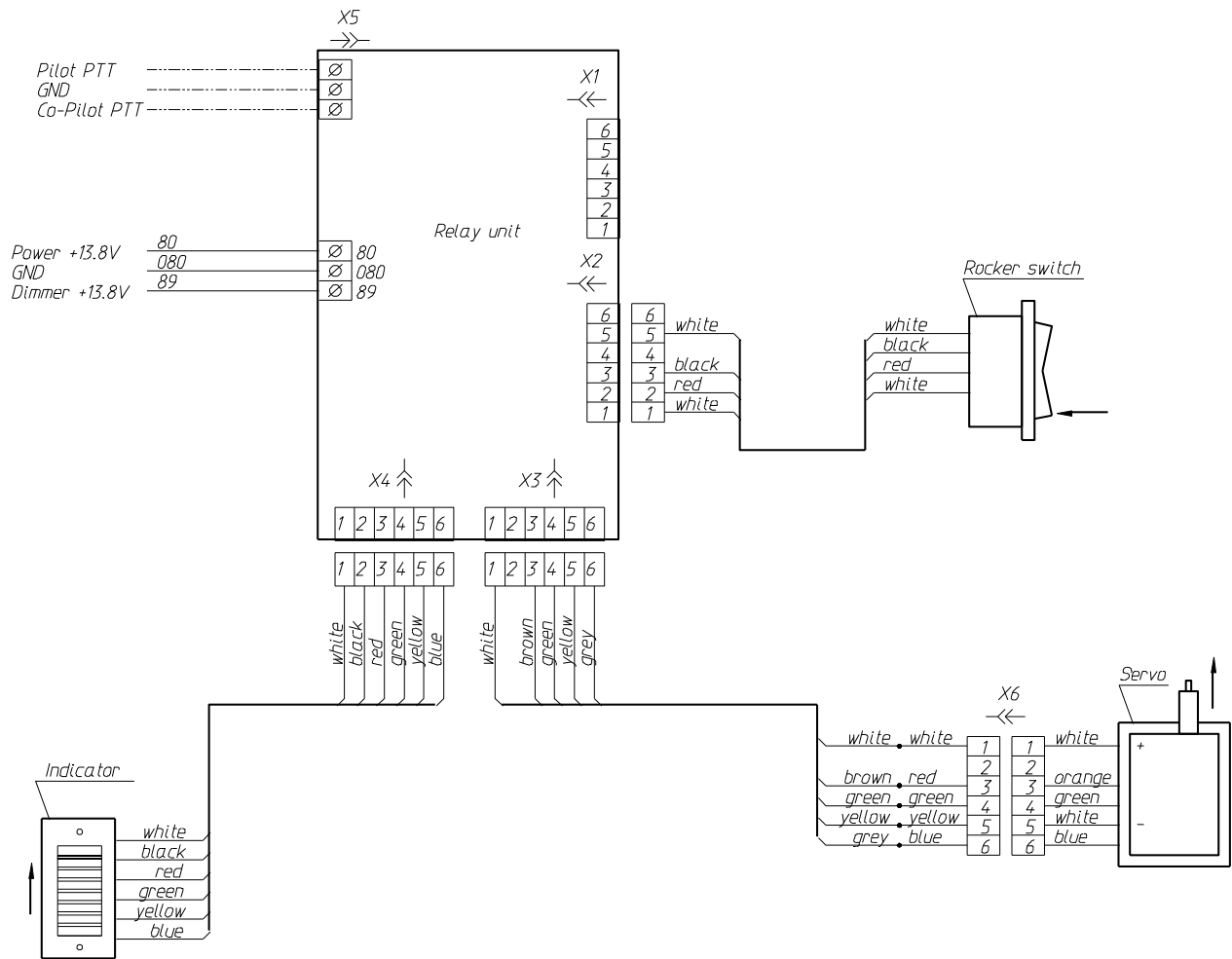


Fig. 17. Wiring diagram for elektrotimmer installation

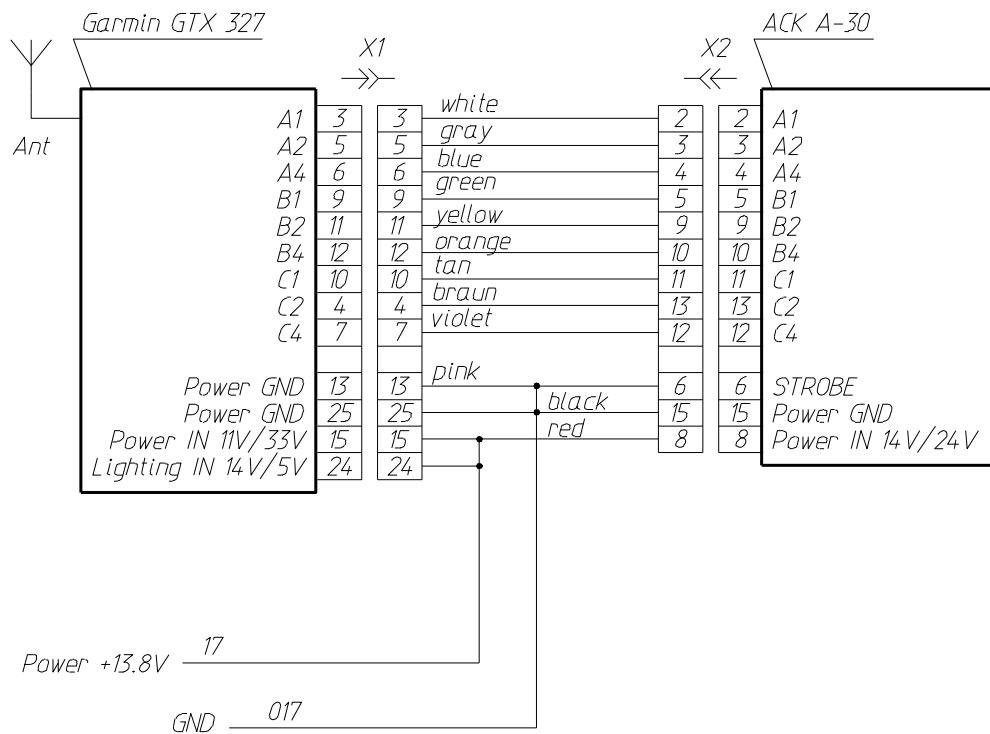


Fig. 18. Wiring diagram for Garmin GTX-327 installation



### **8.11 Seats and harness belts**

The airplane is equipped with adjustable seats with soft cushions. The seats are attached to two transverse beams inside fuselage. The harness belts are of the 4-point type. Two shoulder belts are passed over the shoulders from behind and are joined to the waist belts with adjustable buckles. The lock is attached to the waist belts.

Before climbing into the cockpit the pilots should adjust the seat position. After getting into the seats the pilots should fasten the belt locks and adjust the belts to their size.

The seats and harness belts properly adjusted and fastened do not restrict pilot motions necessary to control the airplane and ensure pilots' safety in flight and during airplane motion on the ground.

### **8.12 Cockpit doors**

The cockpit doors consist of organic glass, attached to the metal tubular framework. The doors are hinged on top and open upward. In their open and closed position the doors are retained by pneumatic cylinders. Each door can be fixed in the closed position with a lock.

Both left and right doors have air scoops for ventilation, de-misting of the glass and providing pilot view for landing in poor visibility conditions (snow, rain, etc.).

### **8.13 Baggage container**

The baggage container is located behind the pilot seats and is accessible from inside of the cockpit – on ground and in flight as well. The container is a soft bag fixed on a rigid framework. The container has an opening flap with a zipper.

**The weight of baggage in the container may not exceed 20 kg (44 lb).**

## **9 Aircraft Ground Handling and Servicing**

### **9.1 Introduction**

This section contains recommendations on aircraft ground handling and servicing important for safe and efficient operation of this aircraft. Besides owners/pilots should keep contact with the aircraft manufacturer in order to obtain in time all service bulletins relevant to their aircraft.

### **9.2 Towing, parking and tie-down instructions**

A-22LS may be towed manually or using any suitable towing device (towing block, car, etc.).

Before towing the airplane, make sure that the parking brake is off and the wheels are not blocked by chocks or anything else.

When towing use strong areas of the airplane structure for pulling/pushing, e.g. propeller blades near the spinner, wing struts near their attachment points, nose wheel axle for attaching a towing bar.

Avoid maneuvering the airplane by pushing against its fuselage/wing/empennage skins or cockpit glazing to prevent damaging them.

For easier towing the airplane backwards hold it by the leading edge of the fin or stabilizer near their forward attachment points and press the tail down to lift the nose wheel up. Before doing this, make sure that there is no heavy load in the cockpit.

Airplane parking and tie-down shall be done with its nose into the wind (preferably) or at least across the wind but never tail to the wind to avoid damaging the control surfaces.

For tying the airplane down use the wing struts near their attachment points to the wing and propeller shaft.

Use suitable clamps to fix the ailerons and elevator when the airplane is tied down outside.

When storing the airplane outside it is recommended to protect the cockpit glass with suitable covers.

Never left the cockpit doors open even for a shortest time in a windy weather! Wind may shut the door abruptly and damage it.

### **9.3 Servicing fuel, oil and coolant**

Pilots must check level of fuel, oil and coolant during preflight checks.

Use only those grades of fuel, oil and coolant that are recommended by the Rotax engine operation manual.

Fuel tank inlets in A-22LS are not fitted with a fuel filter/strainer therefore fuel must be filled into the tanks using fuel pumps or/and funnels with a fine mesh.

Fuel residue must be drained regularly from the tanks via the drain valve into a clean transparent container for checking.

**WARNING:** At all times take care not to spill fuel on the cockpit glass – fuel may cause glass dimness and cracks.

When checking oil and coolant level follow the instructions of the Rotax engine operation manual.

If the engine is not operated for long time, oil from the engine will flow to the lowest point of the lubrication system, i.e. oil tank. So before checking the oil level on the cold engine open the oil tank, remove and clean the oil probe and turn the propeller several times until you hear the sound of air bubbles coming into the oil tank which means that the oil from the oil tank was pumped thus into the engine forcing the air from it back into the oil tank. Wait a little while the oil lets out the air bubbles and insert the oil probe to see the actual oil level.

**WARNING:** Do not turn the propeller against the direction of engine rotation – this may damage the engine.

**CAUTION: Do not open the expansion tank of the cooling system while engine is hot! Coolant is under pressure and may burst out and bring injuries or harm.**

## 9.4 Approved fuel and oil

Approved fuel types: unleaded mogas min. RON 95 or avgas 100LL.

Approved oil types: any automotive oil of API classification “SF” or “SG”.

## 9.5 Cleaning and care

Keeping the aircraft clean is essential for its efficient and safe operation. Pilots must make sure during the preflight check that the airplane is clean and free of corrosion. Airplane washing should be done using cloth or soft sponge abundantly soaked in water with addition of mild washing agents.

**Never use gasoline, solvents or other aggressive liquids for washing the airplane and especially the cockpit glass!**

Cockpit glass must be finally washed with plenty of water. It is recommended to let water dry and not to wipe it with a cloth as dust particles stuck in the cloth may scratch the glass.

After airplane washing inspect the parts that must be protected from corrosion (hinges, joints, etc.). Clean them of any remaining water and old grease and lubricate anew.

## 9.6 Disassembling and assembling the airplane

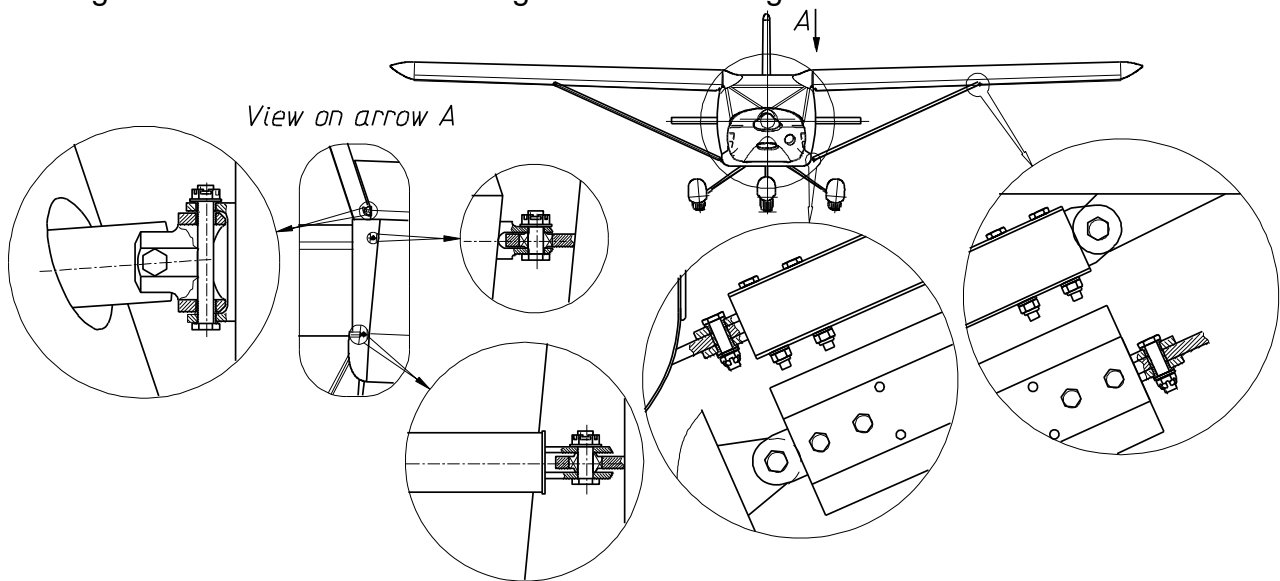
Aircraft operation and servicing in some cases may require to disassemble (and assemble back) the airplane or remove some of its components. This section describes how to disassemble correctly the airplane by removing its main components: left and right wings, horizontal tail, propeller, engine.

### 9.6.1 Wing removal

Left and right wings shall be removed in turn (in any order) according to the following sequence (see **Fig. 19**):

1. Disconnect the aileron control shaft.
2. Disconnect the electrical connectors of fuel level sender cable.
3. Disconnect the fuel lines.
4. Disconnect the full and static pressure lines at their joints (left wing, see **Fig. 19**).
5. Remove the wing strut brace by disconnecting it from the wing and fuselage while holding the wing.
6. Disconnect the wing at its forward and rear attachment points.

After disconnecting the wings it is recommended to insert all the fasteners back and lock them with safety wire or pins not to loose them. Also secure with safety wire the spherical bearings in the forward and rear wing attachment fittings.



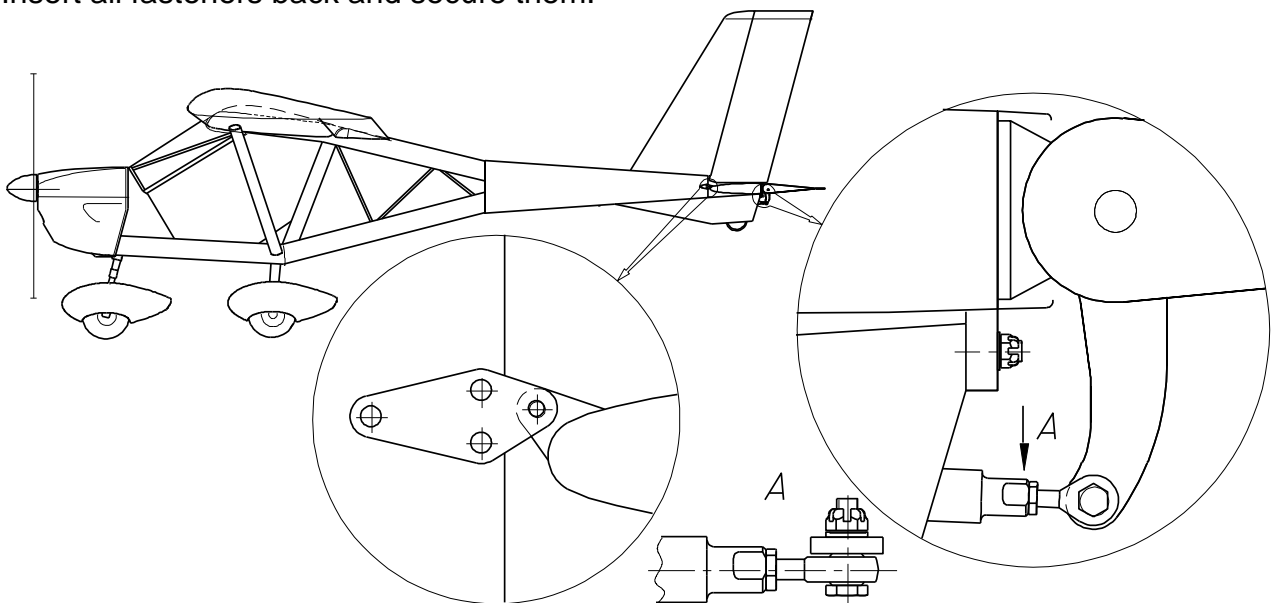
**Fig. 19 Wing removal**

### 9.6.2 Stabilizer removal

Remove the stabilizer (see **Fig. 20**) as follows:

1. Disconnect the control cable from the trim tab arm.
2. Disconnect the rudder rod from the elevator arm.
3. Undo the nut from the rear attachment bolt
4. Unfasten the forward bolts of horizontal tail attachment to fuselage and remove the stabilizer.

Insert all fasteners back and secure them.



**Fig. 20. Disconnection of the horizontal tail**

### 9.6.3 Propeller removal

Before dismantling the engine from the aircraft remove the propeller as follows:

- remove the locking wire from the studs;
- undo nuts and remove the studs;
- remove the propeller by pulling gently by its hub.

When installing the engine on the aircraft propeller should be installed in reversed order. Locking of the nuts on the studs should be done in such a way that the wire prevents loosening of the nuts. Disassembled propeller should be carried in a soft package.

### 9.6.4 Engine removal

Engine removal shall be done in the following order:

- remove the engine cowling panels;
- drain the cooling liquid and close all drain openings with plugs;
- remove the water cooler;
- drain the oil and close all drain openings with plugs;
- remove the oil cooler;
- disconnect electrical system cables (connector is installed on the firewall);
- disconnect the throttle and choke control cables;
- disconnect fuel lines;
- drain the fuel from the float chambers of the carburetors;
- pull away the exhaust pipes and remove the exhaust muffler;
- remove the split pins from engine mount attachment studs;
- undo the nuts, take out the bolts and remove the engine.

Engine installation should be performed in reversed order. After installation of the engine install the propeller on it.

NOTE: Before wing removal empty the wing tanks!

### 9.6.5 Aircraft assembling

Aircraft assembling must be done in exactly reversed order. When installing the horizontal tail it is necessary to lead the trim tab control cable first through its conduit in the stabilizer. All hinges and fittings must be cleaned and greased before assembling the aircraft.

## **10 Supplements**

### **10.1 General**

This section contains information concerning the particular configuration of this airplane (list of installed equipment) along with its actual empty weight and balance data. Any additional manuals for the installed equipment are indicated here.

### **10.2 Engine manual**

A separate engine manual is supplied with every aircraft. On all issues concerning the engine operation and service airplane owner/pilot must consult the engine manual and strictly follow its instructions to ensure safe operation of the aircraft.

### **10.3 Avionics and special engine instruments**

This airplane may be equipped with some optional avionics and special engine instruments. In that case the airplane is supplied with the manuals for that kind of equipment or special instruments. Airplane owner/pilot must follow the instructions of those manuals and respective subsections of this manual to ensure safe and efficient operation of the airplane.

### **10.4 Recovery system**

This airplane may be equipped with a parachute recovery system on customer's request. In that case the airplane is supplied with an operation manual for the recovery system. Airplane owner/pilot must follow the instructions of the recovery system manual and respective subsections of this manual to ensure safe operation of the recovery system installed in the airplane.

### **10.5 Floats**

This aircraft may be equipped with floats for operation on water. In that case the airplane is supplied with a manual for operation and maintenance of the floats. Airplane owner/pilot must follow the instructions of the floats' manual and respective subsections of this manual to ensure safe operation of the airplane and floats.

### 10.6 List of installed equipment

All equipment installed or replaced in this airplane must be listed in the table below. The equipment affecting weight and balance of the airplane must be also listed in the table of the section **7.2 Installed equipment list**.

No.	Description	Installed by	Date	Signature	Remarks
1.					
2.					
3.					
4.					
5.					
6.					

### 10.7 Actual empty weight and CG position data

This subsection contains information about the actual empty weight and respective CG position of the airplane. After final assembly, major repair/overhaul, replacement and/or additional installation of any equipment the aircraft must be weighed and respective weight and balance data recorded in the table below:

Empty weight	CG position	Weighed by	Date	Signature	Remarks



## 10.8 Airplane Flight Training Supplement

Flight training on Aeroprakt-22LS airplane foresees 5 hours of flying in accordance with the normal flight procedures, described in Pilot Operating Handbook (POH).

It covers the following:

1. Preflight preparation including determining the takeoff mass and airplane CG position, preflight check and preflight servicing of the airplane.
2. Airfield traffic and flight to the training area.
3. Airfield circuit flight.
4. Balked landing.
5. Low speed flight, recognizing the starting and ongoing stall and stall recovery.
6. High speed flight, recognizing and recovery from steep diving spiral.
7. Short field takeoff and landing with overflying obstacles.
8. Crosswind takeoff and landing.
9. Flights with imitated engine failure.

### 10.8.1 Preflight preparation

Preflight preparation includes preflight check and determining the takeoff mass and CG position of the airplane. It shall be done in accordance with the section 5.2 before every flight.

### 10.8.2 Airfield traffic and flight to the training area

To adapt to the airplane controllability and flight characteristics a flight (its elements are described in the POH) shall be performed that includes the following:

- a) Level flight at various airspeeds and engine power settings.  
Elevator trim tab shall be used for trimming the airplane in pitch.
- b) Climb at various airspeeds and full power of the engine.  
Elevator trim tab shall be used for trimming the airplane in pitch.
- c) Descending at various airspeeds, flap settings and minimum engine power.  
Elevator trim tab shall be used for trimming the airplane in pitch.
- d) Turns to the left and to the right at various speeds and bank angles.

Total flight time – 40 minutes. Number of flights – 2. Number of landings – 2.

### 10.8.3 Airfield circuit flight

Airfield circuit flight shall be performed for familiarization with the main flight elements, as well as takeoff and landing. It consists of the following:

1. Before starting the engine, the door locks shall be checked along with the harness belts, elevator trim tab lever, parking brake and carburetor heating knob; flaps shall be set to 1st position, choke lever shall be moved forward (if the engine is cold), then the master switch and radio shall be turned on. Fuel level and position of the fuel valves (at least one must be open) shall be checked. Radio communication shall be checked, ignition switches set to ON and engine started. After engine begins to run smoothly the choke lever shall be moved back (if it was used). After engine is warmed to the required temperature ignition system check shall be done. Before taxiing the parking brake must be set to OFF.

2. Taxiing is described in the section **5.4**. Airfield traffic shall be performed in accordance with the airfield traffic diagram. Before lining up full and free movements of the flight controls must be checked.
3. After lining up the engine power setting shall be increased to full and takeoff shall be performed. The takeoff procedure is described in the section **5.6**.
4. Upon reaching the speed of climb of 100 km/h (62 mph, 54 kts) the flaps shall be retracted at safe altitude. No pitch re-trimming or loss of altitude occurs after that. The crosswind turn shall be performed during climb after reaching 300 ft altitude.
5. Climb is described in the section **5.8**. Upon climbing to 200 m (600 ft) the airplane shall be set to level flight. The engine speed shall be reduced to 4000-4200 RPM so that the airspeed of level flight sets in the range of 120-140 km/h (75-87 mph, 65-76 kts). Then the downwind turn shall be performed with the bank angle up to 30°.
6. Between downwind and base turn the elevator trim tab shall be adjusted, if necessary, and engine parameters shall be checked.
7. It is recommended to perform the base turn with a bank angle below 30° in a place where the distance remaining for descend after the final turn is equal to at least 1000 m (3000 ft).
8. After making the base turn it is necessary to reduce the engine speed to 3000 RPM, reduce the airspeed to 120 km/h (75 mph, 65 kts) and extend the flaps to 1st position. In this case a nose-down pitching moment appears that shall be countered by pulling the yoke back. Then the airspeed must be reduced to 100 km/h (62 mph, 54 kts) and engine speed adjusted so that in the beginning of the final turn the airplane is at approximately 150 m (500 ft).
9. It is recommended to make the final turn with a bank angle below 20°. While making the final turn its radius may be corrected by changing the bank angle in order to ensure airplane aligning with the runway after the turn. It is recommended to keep the airspeed in the range of 90-100 km/h (56-62 mph, 49-54 kts).
10. The required descend angle on final shall be set by adjusting the engine RPM. When engine RPM is increased a slight nose-up pitching moment occurs that shall be countered by pushing the yoke forward. When engine RPM is reduced the effect is opposite. Heading corrections shall be done using rudder pedals. Lateral deviations shall be corrected with S-turns of appropriate bank angle. Recommended airspeed on final 90-110 km/h (56-68 mph, 49-59 kts).
11. At about 5 m (15 ft) the engine shall be set to idle and airspeed and sink rate reduced by pulling the yoke back gradually so that at the moment of touchdown the airplane reaches the pitch angle required for landing (the top of the engine cowling is slightly higher than the horizon sightline).
12. Direction of the landing roll shall be controlled with rudder pedals. If a series of circuit flights are performed, the touch-and-go technique shall be used. After several seconds of the touchdown the engine speed shall be set to maximum and takeoff shall be performed. When engine power is increased a nose-up pitching moment appears that shall be countered by pushing the yoke a bit forward. In case of a full-stop landing the main wheel brakes may be used when the nose wheel is on the ground.
13. Retract the flaps before vacating the runway.

Total time of circuit flying training – 2 h. Number of flights – 4. Number of landings – 20.

#### **10.8.4 Balked landing**

Balked landing (go around) situation occurs due to errors made during approach which can not be corrected or in case if an obstacle is suddenly detected on the runway. The balked landing procedure is described in the section **5.13**.

Total time of balked landing training – 20 minutes. Number of flights – 1. Number of landings – 1.

#### **10.8.5 Low speed flight, recognizing the starting and ongoing stall and stall recovery**

The aircraft has no adverse handling features at low speeds and at stall with any of flaps settings. A light vibration of controls in roll may be noticed that warns about approaching to the stalling speed. The stall occurs in form of airplane pitch angle decrease without a noticeable change in bank angle. The airplane recovers from stall immediately if the flight controls are returned to their neutral position. During a low speed flight with wings level deflection of ailerons does not initiate stall. However during a turn at a low speed abrupt aileron deflection may cause stall with noticeable increase in bank angle.

Stall recovery procedure is described in the section **4.2.13**.

Total time of low speed flight training – 20 minutes. Number of flights – 1. Number of landings – 1.

#### **10.8.6 High speed flight, recognizing and recovery from steep diving spiral**

The aircraft has no peculiar handling features at high speeds. The control forces increase with airspeed growing and that impedes the abrupt control inputs and exceeding the limit loads due to that. During high speed flight the engine parameters must be monitored and exceeding its operational limits must be prevented.

To recover from a steep spiral the engine RPM must be reduced first and then the airplane must be brought to level flight by deflecting gently the ailerons and elevator.

Total time of high speed flight training – 20 minutes. Number of flights – 1. Number of landings – 1.

#### **10.8.7 Short field takeoff and landing with overflying obstacles**

Short field takeoff and landing procedures are described in the sections **5.7** and **5.12**. To fly over the obstacles (if any) during the climb and approach it is recommended to set the flaps to 2<sup>nd</sup> position and fly at the best climb angle speed  $V_x = 90$  km/h (56 mph, 49 kts).

Total time of short field takeoff and landing training – 20 minutes. Number of flights – 1. Number of landings – 4.

#### **10.8.8 Crosswind takeoff and landing**

It is recommended to use 1<sup>st</sup> flap setting during crosswind takeoff or landing.

In case of crosswind takeoff it is necessary to rotate the yoke by 1/3 of its full travel against the wind direction to counter the downwind drift and control the heading using the rudder pedals. Then the takeoff will occur with some bank angle. After the takeoff the wings shall be set level, the downwind drift shall be countered with an appropriate change of heading and climb shall be continued.

In case of crosswind landing it is recommended to keep the airplane aligned with the runway using rudder pedals while countering the downwind drift with a bank angle against the wind direction. The bank angle value shall be appropriate to the crosswind strength. The bank shall be maintained until touchdown which will occur with one of the main wheels

touching the ground before the other. During the landing roll the nose wheel shall be kept lifted as long as possible and the heading shall be maintained using the rudder pedals. Immediately before the nose wheel is finally touching the ground the rudder pedals shall be set neutral in order to prevent the side load on the nose leg.

Total time of crosswind takeoff and landing training – 30 minutes. Number of flights – 1.  
Number of landings – 6.

#### **10.8.9 Flights with imitated engine failure**

The emergency procedures in case of engine failure are described in the sections **4.2.2 - 4.2.5**. When imitating the engine failure it is recommended to reduce the engine RPM to idle. While doing that it should be kept in mind that sink rate with the engine stopped is by 100 fpm higher than that with the engine at idle because of the remaining propeller thrust. Special attention shall be paid to maintaining the airspeed. The imitated engine failures shall be done at every leg of the airfield circuit.

Total time of imitated engine failure training – 30 minutes. Number of flights – 1. Number of landings – 4.

### **10.9 Airplane Owner Feedback to Manufacturer**

To ensure continued operational safety of the airplane the airplane owner(s) must keep in contact with the airplane manufacturer and report all issues associated with the operational safety of the airplane to the airplane manufacturer. The Feedback Form for operational safety reporting is contained in the Aircraft Maintenance Manual.

Besides airplane owner(s) must inform the airplane manufacturer about the changes in their address or airplane ownership rights. No particular form for that is prescribed. Information about the change of address or airplane ownership rights may be delivered to the airplane manufacturer in writing by fax or e-mail. This information must be accurate and sufficiently detailed for keeping contact between the airplane manufacturer and owner.