

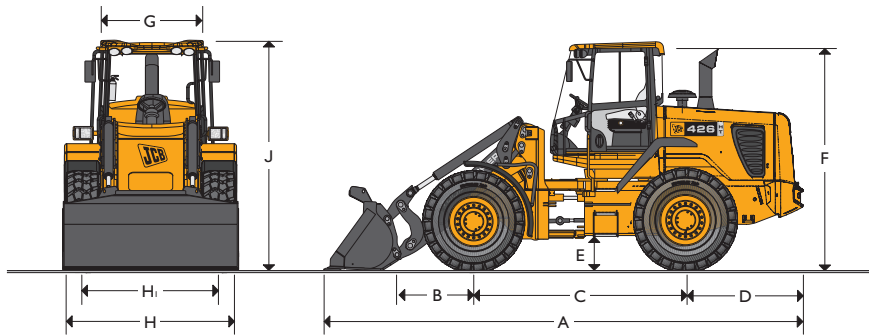


JCB WHEEL LOADER | 426 HT TIER III

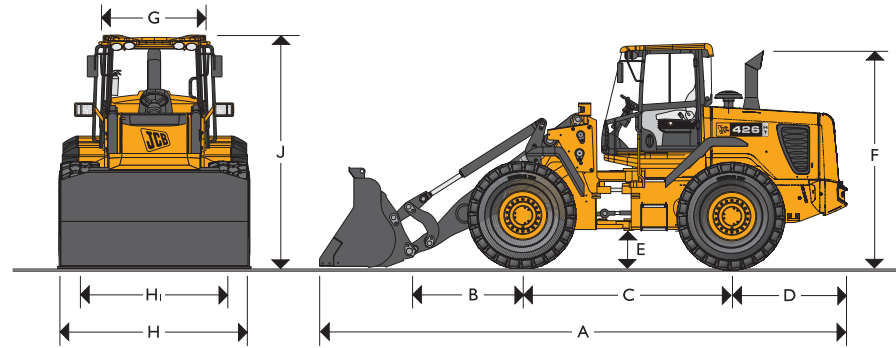


MAX. ENGINE POWER: 165hp (123kW)
 MAX. OPERATING WEIGHT: 3247lb(14210kg)
 MAX. LOADER CAPACITY: 3.5yd³(2.7m³)

STATIC DIMENSIONS – Standard height arm



STATIC DIMENSIONS – High lift arm



STATIC DIMENSIONS – Standard height arm

		ft-in (mm)
A	Overall length with standard bucket	22-5 (6831)
B	Axle to pivot pin	3-7 (1096)
C	Wheel Base	9-8 (3000)
D	Axle to counterweight face	5-11 (1816)
E	Minimum ground clearance	1-5 (442)
F	Height over exhaust	10-6 (3192)
G	Width over cab	4-7 (1400)
H	Width over tires	8-2 (2482)
Hi	Wheel track	6-5 (1955)
J	Height over cab	10-11 (3335)
	Pin height (maximum)	12-10 (3906)
	Overall operating height	16-9 (5095)
	Front axle weight	lb (kg) 12289 (5574)
	Rear axle weight	lb (kg) 15710 (7126)
	Total weight	lb (kg) 28000 (12700)
	Inside radius	9-7 (2920)
	Maximum radius	19-0 (5790)
	Articulation angle	±40°

STATIC DIMENSIONS – High lift arm

		ft-in (mm)
A	Overall length with standard bucket	23-9 (7244)
B	Axle to pivot pin	3-7 (1509)
C	Wheel Base	9-8 (3000)
D	Axle to counterweight face	5-11 (1816)
E	Minimum ground clearance	1-5 (442)
F	Height over exhaust	10-6 (3192)
G	Width over cab	4-7 (1400)
H	Width over tires	8-6 (2597)
Hi	Wheel track	6-9 (2070)
J	Height over cab	10-11 (3335)
	Pin height (maximum)	14-3 (4336)
	Overall operating height	18-2 (5525)
	Front axle weight	lb (kg) 12939 (5869)
	Rear axle weight	lb (kg) 15655 (7101)
	Total weight	lb (kg) 28594 (12970)
	Inside radius	9-3 (2825)
	Maximum radius	20-7 (6282)
	Articulation angle	±40°

Data based on machine equipped with a 2.5 yd³ (1.9m³) bucket with bolt-on toeplates and 20.5R25 XHA (L3) tires.

Data based on machine equipped with a 2.5 yd³ (1.9m³) bucket with bolt-on toeplates and 20.5R25 XHA (L3) tires.

JCB WHEEL LOADER | 426 HT TIER III

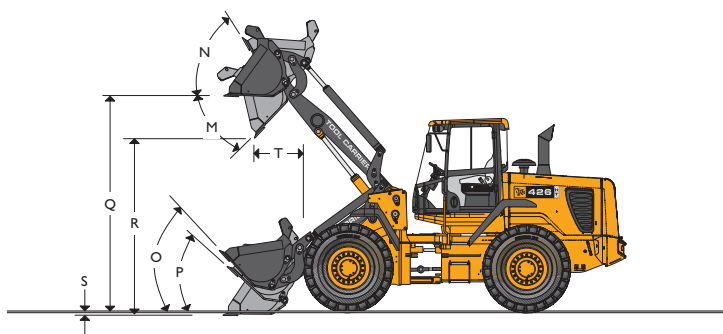
Helping You Get the Job Done!



JCB WHEEL LOADER | 426 HT TIER III



LOADER DIMENSIONS – Standard height arm



CHANGES TO OPERATING PERFORMANCE AND DIMENSIONS

Tire size	Manufacturer	Type	Rating	Op. weight lb (kg)	Tipping loads			Dimensions	
					Straight lb (kg)	Full turn lb (kg)	Vertical in (mm)	Width in (mm)	
20.5 - 25 (crossply)	Frestone	SGG	L2	-770 (-348)	-540 (-245)	-475 (-215)	-0.354 (-9)	+0.197 (+5)	
20.5 - 25 (crossply)	Goodyear	SGL D/L	L2	-476 (-216)	-335 (-152)	-295 (-124)	-0.354 (-9)	+0.197 (+5)	
20.5 R 25 (radial)	Goodyear	RL - 2 +	L2	+168 (+76)	+120 (+54)	+104 (+47)	-0.354 (-9)	+0.197 (+5)	
20.5 R 25 (radial)	Michelin	XTLA	L2	-353 (-160)	-250 (-113)	-220 (-99)	-0.354 (-9)	+0.197 (+5)	
550/65 R 25 (radial)	Michelin	XLD	L3	-265 (-120)	-187 (-85)	-165 (-75)	0	0	
20.5 R 25 (radial)	Michelin	XRD1A	L4	+732 (+332)	+566 (+257)	+454 (+206)	+1.142 (+29)	+0.315 (+8)	
20.5 R 25 (radial)	Michelin	XMINED2	L5	+1500 (+680)	+1060 (+480)	+928 (+421)	+1.142 (+29)	-0.118 (-3)	
20.5 R 25 (radial)	Goodyear	RL-5K	L5	+1323 (+600)	+933 (+423)	+820 (+372)	+1.142 (+29)	-0.118 (-3)	
XD counterweight				+838 (+380)	+1559 (+707)	+1318 (+598)	0	0	

Assumes the machine is fitted with 2.5 yd³ (1.9m³) bucket with toeplates, XD counterweight and Michelin 20.5R25 XHA (L3) tires.

	Direct		Direct		Direct		Quickhitch		Quickhitch		Quickhitch		
	General Purpose	General Purpose	General Purpose	General Purpose	General Purpose	General Purpose	General Purpose	General Purpose	General Purpose	General Purpose	General Purpose	General Purpose	
Bucket mounting	Direct	Direct	Direct	Direct	Direct	Direct	Quickhitch	Quickhitch	Quickhitch	Quickhitch	Quickhitch	Quickhitch	
Bucket type	General Purpose	General Purpose	General Purpose	General Purpose	General Purpose	General Purpose	General Purpose	General Purpose	General Purpose	General Purpose	General Purpose	General Purpose	
Bucket equipment	Tipped teeth	Tipped teeth	Reversible t/plate	Reversible t/plate	Reversible t/plate	Reversible t/plate	Tipped teeth	Tipped teeth	Reversible t/plate	Reversible t/plate	Reversible t/plate	Reversible t/plate	
Bucket capacity (SAE heaped)	yd ³ (m ³)	2.4 (1.8)	2.6 (2.0)	2.5 (1.9)	2.8 (2.1)	3.1 (2.4)	3.5 (2.7)	2.4 (1.8)	2.6 (2.0)	2.5 (1.9)	2.8 (2.1)	3.1 (2.4)	3.5 (2.7)
Bucket capacity (struck)	yd ³ (m ³)	2.035 (1.556)	2.309 (1.765)	2.114 (1.616)	2.394 (1.830)	2.691 (2.057)	3.068 (2.346)	2.033 (1.554)	2.288 (1.749)	2.085 (1.594)	2.337 (1.787)	2.691 (2.057)	3.068 (2.346)
Bucket width	ft-in (mm)	8-4 (2550)	8-4 (2550)	8-4 (2550)	8-4 (2550)	8-10 (2700)	8-10 (2700)	8-4 (2550)	8-4 (2550)	8-4 (2550)	8-4 (2550)	8-10 (2700)	8-10 (2700)
Bucket weight	lb (kg)	1786 (810)	1875 (850)	1786 (810)	1875 (850)	2500 (1136)	2664 (1211)	1765 (800)	1875 (850)	1765 (800)	1875 (850)	2500 (1136)	2664 (1211)
Maximum material density	lb/yd ³ (kg/m ³)	4132 (2498)	3761 (2218)	3966 (2367)	3493 (2112)	3038 (1780)	2637 (1550)	3789 (2291)	3449 (2034)	3637 (2171)	3203 (1937)	2788 (1633)	2420 (1423)
Tipping load straight	lb (kg)	23210 (10526)	23161 (10504)	23210 (10526)	23161 (10504)	22140 (10041)	21728 (9854)	21366 (9690)	21093 (9566)	21366 (9690)	21093 (9566)	20421 (9261)	20046 (9091)
Tipping load full turn	lb (kg)	19832 (8994)	19556 (8869)	19832 (8994)	19556 (8869)	18835 (8542)	18460 (8372)	18187 (8248)	17938 (8135)	18187 (8248)	17938 (8135)	17289 (7841)	16941 (7683)
Payload	lb (kg)	9916 (4497)	9779 (4435)	9916 (4497)	9779 (4435)	9418 (4271)	9230 (4186)	9093 (4124)	8968 (4067)	9093 (4124)	8968 (4067)	8644 (3920)	8469 (3841)
Maximum break out force	lbf (kN)	31000 (138)	28800 (128)	31000 (138)	28800 (128)	27620 (123)	25820 (115)	27270 (121)	25490 (113)	27270 (121)	25490 (113)	23800 (106)	22240 (99)
M Dump angle maximum		49°	49°	49°	49°	49°	49°	49°	49°	49°	49°	49°	49°
N Roll back angle at full height		58°	58°	58°	58°	58°	58°	58°	58°	58°	58°	58°	58°
O Roll back at carry		48°	48°	48°	48°	48°	48°	48°	48°	48°	48°	48°	48°
P Roll back at ground level		43°	43°	43°	43°	43°	43°	43°	43°	43°	43°	43°	43°
Q Load over height	ft-in (mm)	11-11 (3627)	11-11 (3627)	11-10 (3612)	11-10 (3612)	11-10 (3610)	11-10 (3610)	11-11 (3627)	11-11 (3627)	11-10 (3612)	11-10 (3612)	11-10 (3610)	11-10 (3610)
R Dump height (45° dump)	ft-in (mm)	9-3 (2831)	9-1 (2781)	9-8 (2944)	9-6 (2896)	9-4 (2860)	9-2 (2796)	8-11 (2711)	8-9 (2661)	9-4 (2848)	9-0 (2775)	9-0 (2739)	8-9 (2676)
S Dig depth	ft-in (mm)	0-1.25 (32)	0-1.25 (32)	0-4.5 (47)	0-4.5 (47)	0-4.5 (47)	0-4.5 (47)	0-1.25 (32)	0-1.25 (32)	0-4.5 (47)	0-4.5 (47)	0-4.5 (47)	0-4.5 (47)
T Reach at dump height	ft-in (mm)	3-6 (1081)	3-8 (1131)	3-1 (946)	3-3 (996)	3-4 (1028)	3-7 (1092)	3-11 (1201)	4-1 (1250)	3-5 (1052)	3-8 (1118)	3-9 (1149)	4-0 (1213)
Reach maximum (45° dump)	ft-in (mm)	6-0 (1828)	6-2 (1878)	5-7 (1693)	5-8 (1743)	5-10 (1775)	6-0 (1839)	6-5 (1948)	6-6 (1997)	5-11 (1800)	6-1 (1865)	6-3 (1896)	6-5 (1960)
Operating weight lb (kg)													
(includes 175lb (80kg) operator and full fuel tank)		28841 (13080)	28930 (13120)	28841 (13080)	28930 (13120)	29558 (13405)	29723 (13480)	29459 (13360)	29569 (13410)	29459 (13360)	29569 (13410)	30200 (13696)	30363 (13770)

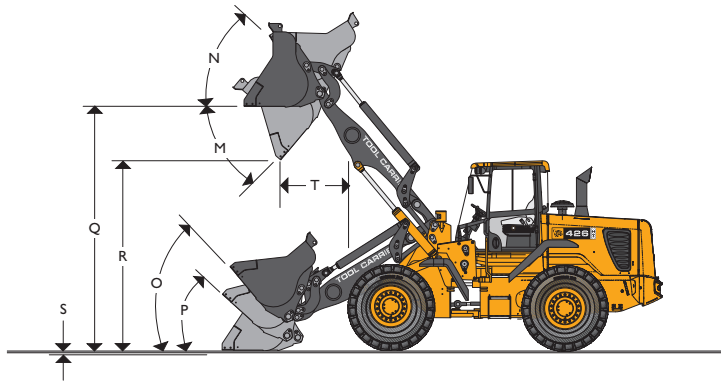
JCB WHEEL LOADER | 426 HT TIER III



JCB WHEEL LOADER | 426 HT TIER III



LOADER DIMENSIONS – High lift arm



CHANGES TO OPERATING PERFORMANCE AND DIMENSIONS

Tire size	Manufacturer	Type	Rating	Op. weight lb (kg)	Tipping loads			Dimensions	
					Straight lb (kg)	Full turn lb (kg)	Vertical in (mm)	Width in (mm)	
20.5 - 25 (crossply)	Firestone	SGG	L2	-770 (-348)	-450 (-204)	-394 (-179)	-0.354 (-9)	+0.197 (+5)	
20.5 - 25 (crossply)	Goodyear	SGL D/L	L2	-476 (-216)	-227 (-126)	-246 (-111)	-0.354 (-9)	+0.197 (+5)	
20.5 R 25 (radial)	Goodyear	RL - 2 +	L2	+168 (+76)	+99 (+45)	+86 (+39)	-0.354 (-9)	+0.197 (+5)	
20.5 R 25 (radial)	Michelin	XTLA	L2	-353 (-160)	-207 (-94)	-182 (-82)	-0.354 (-9)	+0.197 (+5)	
550/65 R 25 (radial)	Michelin	XLD	L3	-265 (-120)	-156 (-71)	-138 (-62)	0	0	
20.5 R 25 (radial)	Michelin	XRD1A	L4	+732 (+332)	+471 (+214)	+378 (+171)	+1.142 (+29)	+0.315 (+8)	
20.5 R 25 (radial)	Michelin	XMINED2	L5	+1500 (+680)	+880 (+399)	+772 (+350)	+1.142 (+29)	-0.118 (-3)	
20.5 R 25 (radial)	Goodyear	RL-5K	L5	+1323 (+600)	+776 (+352)	+682 (+310)	+1.142 (+29)	-0.118 (-3)	
XD counterweight				+838 (+380)	+1559 (+604)	+1318 (+513)	0	0	

Assumes the machine is fitted with 2.5 yd³ (1.9m³) bucket with toeplates, XD counterweight and Michelin 20.5R25 XHA (L3) tires.

	Direct		Direct		Direct		Quickhitch		Quickhitch		Quickhitch	
Bucket mounting	Direct	Direct	Direct	Direct	Direct	Direct	Quickhitch	Quickhitch	Quickhitch	Quickhitch	Quickhitch	Quickhitch
Bucket type	General Purpose	General Purpose	General Purpose	General Purpose	General Purpose	General Purpose	General Purpose	General Purpose	General Purpose	General Purpose	General Purpose	General Purpose
Bucket equipment	Tipped teeth	Tipped teeth	Reversible t/plate	Reversible t/plate	Reversible t/plate	Reversible t/plate	Tipped teeth	Tipped teeth	Reversible t/plate	Reversible t/plate	Reversible t/plate	Reversible t/plate
Bucket capacity (SAE heaped) yd ³ (m ³)	2.4 (1.8)	2.6 (2.0)	2.5 (1.9)	2.8 (2.1)	3.1 (2.4)	3.5 (2.7)	2.4 (1.8)	2.6 (2.0)	2.5 (1.9)	2.8 (2.1)	3.1 (2.4)	3.5 (2.7)
Bucket capacity (struck) yd ³ (m ³)	2.035 (1.556)	2.309 (1.765)	2.114 (1.616)	2.394 (1.830)	2.691 (2.057)	3.068 (2.346)	2.033 (1.554)	2.288 (1.749)	2.085 (1.594)	2.337 (1.787)	2.691 (2.057)	3.068 (2.346)
Bucket width ft-in (mm)	8-4 (2550)	8-4 (2550)	8-4 (2550)	8-4 (2550)	8-10 (2700)	8-10 (2700)	8-4 (2550)	8-4 (2550)	8-4 (2550)	8-4 (2550)	8-10 (2700)	8-10 (2700)
Bucket weight lb (kg)	1786 (810)	1875 (850)	1786 (810)	1875 (850)	2500 (1136)	2664 (1211)	1765 (800)	1875 (850)	1765 (800)	1875 (850)	2500 (1136)	2664 (1211)
Maximum material density lb/yd ³ (kg/m ³)	3454 (2089)	3145 (1854)	3317 (1979)	2920 (1766)	2540 (1488)	2205 (1296)	3169 (1916)	2885 (1701)	3042 (1815)	2678 (1619)	2333 (1366)	2024 (1190)
Tipping load straight lb (kg)	19407 (8803)	19365 (8784)	19407 (8803)	19365 (8784)	18514 (8398)	18170 (8242)	17868 (8105)	17639 (8001)	17868 (8105)	17639 (8001)	17076 (7746)	16763 (7604)
Tipping load full turn lb (kg)	16585 (7523)	16358(7419)	16588 (7523)	16358 (7419)	15756(7146)	15443 (7004)	15216 (6901)	15007 (6806)	15216 (6901)	15007 (6806)	14466 (6561)	14175 (6429)
Payload lb (kg)	8291 (3761)	8178 (3709)	8292 (3761)	8178 (3709)	7876 (3572)	7719 (3501)	7607 (3450)	7501 (3402)	7607 (3450)	7499 (3401)	7232 (3280)	7086 (3214)
Maximum break out force lbf (kN)	31000 (138)	28800 (128)	31000 (138)	28800 (128)	27620 (123)	25820 (115)	27270 (121)	25490 (113)	27270 (121)	25490 (113)	23800 (106)	22240 (99)
M Dump angle maximum	45°	45°	45°	45°	45°	45°	45°	45°	45°	45°	45°	45°
N Roll back angle at full height	58°	58°	58°	58°	58°	58°	58°	58°	58°	58°	58°	58°
O Roll back at carry	50°	50°	50°	50°	50°	50°	50°	50°	50°	50°	50°	50°
P Roll back at ground level	48°	48°	48°	48°	48°	48°	48°	48°	48°	48°	48°	48°
Q Load over height ft-in (mm)	13-3 (4057)	13-3 (4057)	13-2 (4042)	13-2 (4042)	13-2 (4040)	13-2 (4040)	13-3 (4057)	13-3 (4057)	13-2 (4042)	13-2 (4042)	13-2 (4040)	13-2 (4040)
R Dump height (45° dump) ft-in (mm)	10-8 (3261)	10-6 (3211)	11-1 (3374)	10-11 (3326)	10-10 (3290)	10-7 (3226)	10-4 (3141)	10-2 (3091)	10-9 (3278)	10-6 (3205)	10-4 (3169)	10-2 (3106)
S Dig depth ft-in (mm)	0-4 (95)	0-4 (95)	0-4 (110)	0-4 (110)	0-4 (110)	0-4 (110)	0-4 (95)	0-4 (95)	0-4 (110)	0-4 (110)	0-4 (110)	0-4 (110)
T Reach at dump height ft-in (mm)	4-1 (1243)	4-3 (1293)	3-8 (1108)	3-10 (1158)	3-11 (1190)	4-1 (1254)	4-6 (1363)	4-8 (1412)	4-0 (1214)	4-2 (1280)	4-3 (1311)	4-6 (1375)
Reach maximum (45° dump) ft-in (mm)	7-2 (2176)	7-4 (2226)	6-8 (2041)	6-10 (2091)	4-0 (2123)	4-2 (2187)	4-6 (2296)	4-8 (2345)	4-0 (2148)	4-3 (2213)	4-4 (2244)	4-6 (2308)
Operating weight lb (kg) (includes 175lb (80kg) operator and full fuel tank)	29431 (13350)	29524 (13390)	29436 (13350)	29524 (13390)	31542 (14305)	30318 (13750)	30054 (13630)	30164 (13680)	30054 (13630)	30164 (13680)	30794 (13966)	30958 (14040)

JCB WHEEL LOADER | 426 HT TIER III



JCB WHEEL LOADER | 426 HT TIER III



JCB WHEEL LOADER | 426 HT TIER III

LOADER

Widely spaced four cylinder geometry provides the combination of excellent visibility with high bucket torque characteristics throughout the working arc. The pin, bushings and sealing design on all pivot points provide extended maintenance intervals.

ENGINE

6-cylinder wastegated turbo-charged, liquid cooled, direct injection diesel. Air-to-air charge-air cooling ensure low emissions and provides minimum fuel consumption. A remote sump oil drain facility simplifies servicing.

Type	4 stroke direct injection	
Model	QB6.7	
Capacity	in ³ (liters)	409 (6.7)
Aspiration	Turbo charged	
Cylinders	6	
Max gross power to SAE J1995/ISO 14396	hp (kW) @ 2000rpm	165 (123)
Rated gross power to SAE J1995/ISO 14396	hp (kW) @ 2200rpm	160 (119)
Net power to SAE J1349/EEC 80/1269	hp (kW) @ 2200rpm	152 (113)
Max torque	lb.ft (Nm) @ 1400rpm	540 (732)

Emissions:- US EPA Tier 3, CARB Tier 3, EU Stage 3

TRANSMISSION

4 wheel drive, automatic smooth shift transmission electrically operated selector and gear change incorporating a speed inhibitor and modulation for smooth, responsive on-the-move direction and ratio changes. Single stage integral torque converter 4 forward and 3 reverse gears.

Type	Smooth shift powershift	
Make & model	ZF 4WG 160	
Torque converter stall ratio	2.549 : 1	
1st gear	mph (kph)	4.6 (7.5)
2nd gear	mph (kph)	9.0 (14.5)
3rd gear	mph (kph)	15.6 (25)
4th gear (forward only)	mph (kph)	23.5 (38)

AXLES

Type	Epicyclic hub reduction	
Make & model	JCB PR 12 front / PR 10 rear	
Overall axle ratio	21.098 : 1	
Rear axle oscillation	21°	

STEERING

Priority steer hydraulic system with emergency steering. Piston pump meters flow through steer valve @ 2756 psi (190 bar) to provide smooth low effort response. Steering angle \pm 40°. Steer cylinders located high in the chassis fabrication to provide protection from damage. Adjustable steering column.

BRAKES

Hydraulic power braking on all wheels, operating pressure 1160psi (80 bar). Dual circuit with accumulator back-up provide maximum safety under all conditions. Out-board mounted, oil immersed, multi-plate disc brakes with organic brake linings are environmentally acceptable. Parking brake, mechanical disc type operating on transmission output shaft.

TIRES

A variety of tire options are available including:
 20.5-25 SGG (L2). 20.5-25 SGL (L2). 20.5R25 RL-2+ (L2). 20.5R25 XLTA (L2).
 20.5R25 XHA (L3). 550/65R25 XLD (L3). 20.5R25 XRDIA (L4). 20.5R25 XMINED2 (L5). 20.5R25 RL-5K (L5).
 620-75 MEGAX BIB. 750-75 MEGAX BIB.

LOADER HYDRAULICS

Twin variable displacement piston pumps feed a "load sensing" system providing a fuel efficient and responsive distribution of power as required. Main services are servo actuated from a single lever (joystick) loader control. Auxiliary circuits controlled via additional lever or joystick mounted electrical buttons. Accumulator back-up is available to control loader in the event of loss of pump pressure.

Pump type	Twin variable displacement piston pumps	
Pump 1 max. flow	US gal/min (l/min)	35 (132)
Pump 1 max. pressure	lb/in ² (bar)	3625 (250)
Pump 2 max. flow	US gal/min (l/min)	35 (132)
Pmp 2 max. pressure	lb/in ² (bar)	2320 (160)
Hydraulic cycle times at full engine revs		seconds
Arms raise (full bucket)		4.4
Bucket dump (full bucket)		1.0
Arms lower (empty bucket)		2.7
Total cycle		8.1

Cylinder dimensions	Bore	Rod	Closed centers	Stroke	
Bucket cylinder x2	in (mm)	3.9 (100)	2.4 (60)	63.0 (1600)	41.5 (1055)
Lift cylinder x2	in (mm)	4.3 (110)	2.4 (60)	49.6 (1260)	32.3 (820)
Steer cylinder x2	in (mm)	3.1 (80)	2.0 (50)	24.4 (621)	12.3 (312)



JCB WHEEL LOADER | 426 HT TIER III



ELECTRICAL SYSTEM

24 volt negative ground system, 70 Amp alternator with 2 x 126 Amp hour low maintenance batteries. Isolator located in rear of machine. Ignition key start/stop and pre-heat cold start. Primary fuse box. Other electrical equipment includes quartz halogen, twin filament working lights, front/rear wash/wipe, heated rear windshield, full road going lights, clock, gauge and warning light monitoring. Connectors to IP67 standard.

System voltage	Volt	24
Alternator output	Amp hour	70
Battery capacity	Amp hour	2 x 145
Cold cranking	CCA	850

CAB

Resiliently mounted ROPS/FOPS structure (tested in accordance with ISO 3471-1 : 1986 / ISO 3449 : 1984). De-luxe operator environment combines ergonomically located controls with a high level of appointment and low internal noise levels. Entry/exit is via large rear hinged door and anti-slip steps. Excellent forward visibility is provided by a 3 section curved, laminated windshield and low waistline. Extensive instrumentation includes electronic monitoring panel and display (EMS). Heating / ventilation provides balanced and filtered air distribution throughout the cab via a powerful 37,530 BTU (11 kW) capacity heater. The unitary construction allows easy sealing and prevents ingress of dust. A transmission lock on the selector prevents inadvertent engagement and the loader controls can be isolated for safe road travel. Noise level measured in accordance with 86/662/EEC, amendment 95/27/EC

Interior pressure level : 73 Lp (A)
Exterior power level: 105 Lw (A)

ATTACHMENTS

An extensive range of attachments including pallet forks, crane jibs, high dumping buckets and timber grapples are available to fit directly or via the JCB quickhitch mounting.

SERVICE FILL CAPACITIES

	US gal (liters)
Hydraulic system	55 (210)
Fuel tank	61 (230)
Engine oil sump	3.7 (14)
Transmission oil system	7 (27)
Axle oil (front)	10.3 (39)
Axle oil (rear)	9.8 (37)
Engine coolant system	9 (35)

STANDARD EQUIPMENT

Loader: Bucket return to dig, loader arm kickout mechanism, loader control isolator, single lever servo control, high torque true parallel lift geometry combines with excellent visibility between the arms.

Engine: Air cleaner – 2 stage dry type – cyclonic with primary and safety elements, sedimenter, twin bowl fuel filters, fan guards.

Transmission: Single lever shift control, speed inhibitor, neutral start, disconnect on footbrake and loader lever, disconnect isolator switch, directional changes and kickdown on gear selector and loader control lever.

Axles: Epicyclic wheel hub reduction, fixed front, oscillating rear.

Brakes: Multi-plate wet disc brakes, organic linings, dual circuit hydraulic power assisted. Parking disc brake on transmission output shaft.

Hydraulics: Piston pumps with priority steer, emergency steering, 2 spool loader circuit with accumulator support, 3rd spool auxiliary hydraulic circuit as standard. Hydraulic tank located in the rear chassis fabrication.

Steering: Adjustable steering column, "soft feel" steering wheel 5 turns lock to lock, resilient stops on max lock.

Cab: ROPS/FOPS safety structure, cigar lighter, ashtray, interior reading light, center mounted master warning light. Electronic monitoring panel with LCD message display. Two speed intermittent front windshield wiper/washer and self park, single speed rear windshield wiper/washer and self park. 3 speed heater/ window defroster with replaceable air filter.

LH and RH opening windows, sun visor, sun blind, internal rear view mirror, heated external mirrors, adjustable suspension seat with belt, headrest and armrest, operator storage facilities, laminated windshield, heated rear windshield, loader control isolator, horn, fire extinguisher.

Electrical: Road lights front and rear, parking lights, front and rear working lights, reverse alarm and light, rear fog light, battery isolator, radio wiring and speakers, 70 amp alternator, rotating beacon.

Bodywork: Front and rear fenders, side and rear access panels, flexible bottom step, full width rear counterweight.

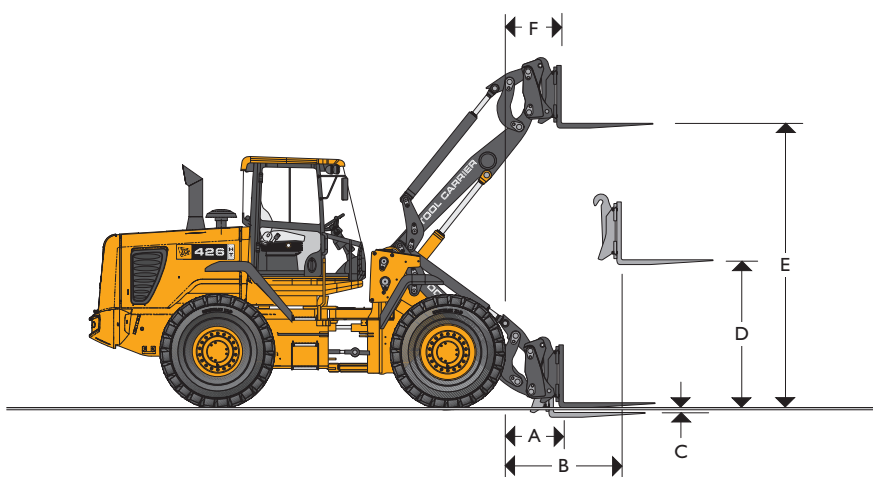
OPTIONAL EQUIPMENT

Auxiliary 4th spool hydraulic service, air conditioning, limited slip differentials front/rear axles, turbo 2 pre-cleaner, visibowl pre-cleaner, tooth guard, replaceable bucket wearparts, sealed alternator, epoxy coated radiator/coolers, stainless steel brake pipes, smooth ride system (SRS), hydraulic quickhitch, full rear fenders, reversing camera (color), auto greasing system, auxiliary control buttons on joystick, spark arrestor, 24V to 12V in cab converter, cab windshield guards, air suspension seat, front chasis apron mat, hydraulic reverse fan, canopycad, 12V trailer electrics, 24V trailer electrics, additional front and rear work lights, light guards, front and rearblinds, engineblock heater, biodegradable oil, cab filtration options.

JCB WHEEL LOADER | 426 HT TIER III



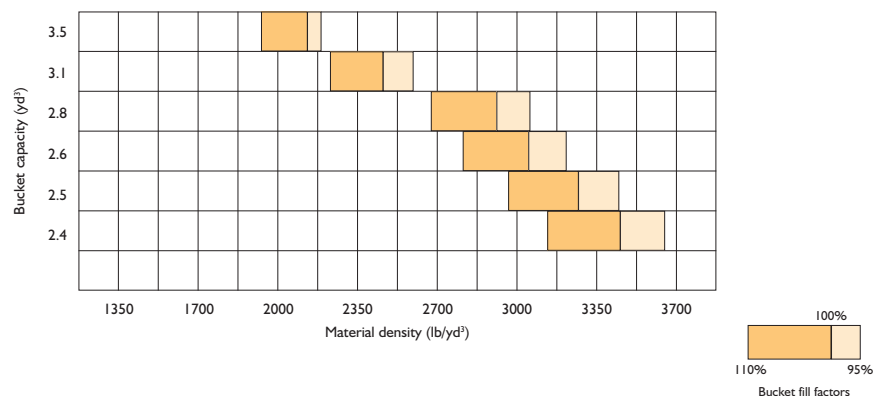
JCB WHEEL LOADER | 426 HT TIER III



LOADER DIMENSIONS – FORK FRAME WITH FORKS – Standard height arm

Assumes the fitment of Michelin 20.5R25 XHA (L3) tires		Parallel fork	Non parallel fork
Fork carriage width	ft-in (mm)	4-11 (1500)	4-11 (1500)
Length of tines	ft-in (mm)	4-0 (1220)	4-0 (1220)
A Reach at ground level	ft-in (mm)	2-6 (760)	2-6 (770)
B Reach at arms horizontal	ft-in (mm)	5-1 (1545)	5-1 (1545)
C Below ground level	ft-in (mm)	-0-2 (-52)	-0-1 (-25)
D Arms, horizontal height	ft-in (mm)	6-3 (1906)	6-1 (1867)
E Arms, maximum height	ft-in (mm)	12-2 (3718)	12-1 (3695)
F Reach at maximum height	ft-in (mm)	2-7 (792)	2-7 (800)
Payload*	lb (kg)	11023 (5000)	11023 (5000)
Tipping load straight	lb (kg)	16691 (7571)	16691 (7571)
Tipping load full turn (40°)	lb (kg)	14312 (6492)	14312 (6492)
Attachment weight	lb (kg)	970 (440)	970 (440)

*At the center-of-gravity distance 1ft-5½in (500mm). Based on 80% of full turn tipping load as defined by ISO 8313. Manual fork spacings at 2in (50mm) increments. Fork section 4in x 2in (100mm x 50mm).



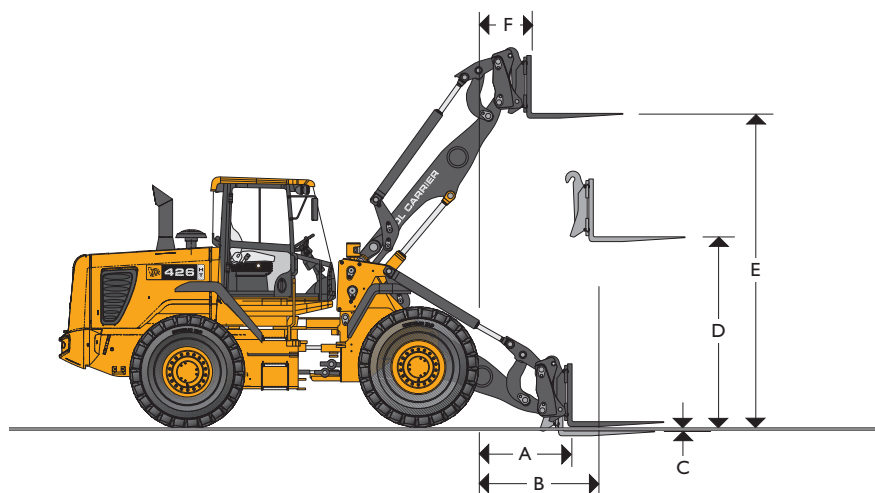
BUCKET SELECTOR

Material	Loose density		Fill factor
	lb/yd³	kg/m³	%
Snow (fresh)	337	200	110
Peat (dry)	674	400	100
Sugar beet	894	530	100
Coke (loose)	961	570	85
Barley	1012	600	85
Petroleum coke	1146	680	85
Wheat	1231	730	85
Coal bitumous	1290	765	100
Fertilizer (mixed)	1737	1030	85
Coal anthracite	1764	1046	100
Earth (dry) (loose)	1939	1150	100
Nitrate fertilizer	2180	1250	85
Sodium chloride (dry) (salt)	2192	1300	85
Cement Portland	2428	1440	100
Limestone (crushed)	2580	1530	100
Sand (dry)	2613	1550	100
Asphalt	2698	1600	100
Gravel (dry)	2782	1650	85
Clay (wet)	2832	1680	110
Sand (wet)	3187	1890	110
Fire clay	3507	2080	100
Copper (concentrate)	3878	2300	85
Slate	4721	2800	100
Magnetite	5402	3204	100

JCB WHEEL LOADER | 426 HT TIER III



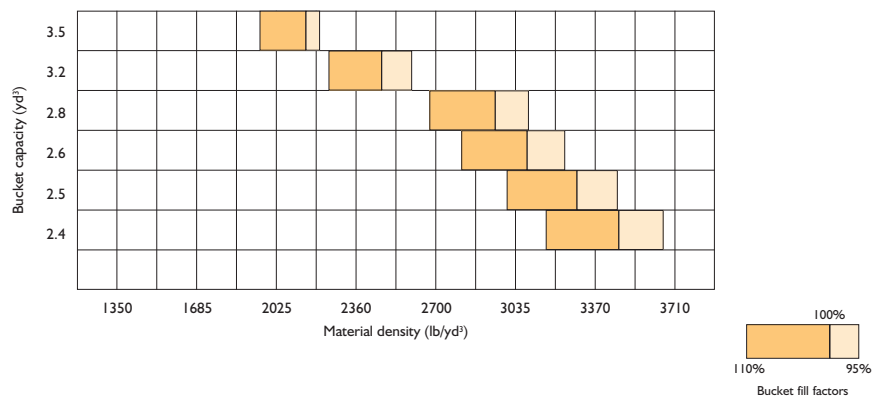
JCB WHEEL LOADER | 426 HT TIER III



LOADER DIMENSIONS – FORK FRAME WITH FORKS – High lift arm

Assumes the fitment of Michelin 20.5R25 XHA (L3) tires		Parallel fork	Non parallel fork
Fork carriage width	ft-in (mm)	4-11 (1500)	4-11 (1500)
Length of tines	ft-in (mm)	4-0 (1220)	4-0 (1220)
A Reach at ground level	ft-in (mm)	3-10 (1173)	3-11 (1183)
B Reach at arms horizontal	ft-in (mm)	6-3 (1893)	6-3 (1893)
C Below ground level	ft-in (mm)	0-0 (11)	0-1 (38)
D Arms, horizontal height	ft-in (mm)	6-3 (1906)	6-1 (1867)
E Arms, maximum height	ft-in (mm)	13-7 (4148)	13-6 (4125)
F Reach at maximum height	ft-in (mm)	3-2 (954)	3-2 (962)
Payload*	lb (kg)	9960 (4518)	9960 (4518)
Tipping load straight	lb (kg)	14521 (6587)	14521 (6587)
Tipping load full turn (40°)	lb (kg)	12452 (5648)	12452 (5648)
Attachment weight	lb (kg)	970 (440)	970 (440)

*At the center-of-gravity distance 1ft-5½in (500mm). Based on 80% of full turn tipping load as defined by ISO 8313. Manual fork spacings at 2in (50mm) increments. Fork section 4in x 2in (100mm x 50mm).



BUCKET SELECTOR

Material	Loose density		Fill factor
	lb/yd³	kg/m³	%
Snow (fresh)	337	200	110
Peat (dry)	674	400	100
Sugar beet	894	530	100
Coke (loose)	961	570	85
Barley	1012	600	85
Petroleum coke	1146	680	85
Wheat	1231	730	85
Coal bituminous	1290	765	100
Fertilizer (mixed)	1737	1030	85
Coal anthracite	1764	1046	100
Earth (dry) (loose)	1939	1150	100
Nitrate fertilizer	2180	1250	85
Sodium chloride (dry) (salt)	2192	1300	85
Cement Portland	2428	1440	100
Limestone (crushed)	2580	1530	100
Sand (dry)	2613	1550	100
Asphalt	2698	1600	100
Gravel (dry)	2782	1650	85
Clay (wet)	2832	1680	110
Sand (wet)	3187	1890	110
Fire clay	3507	2080	100
Copper (concentrate)	3878	2300	85
Slate	4721	2800	100
Magnetite	5402	3204	100

JCB WHEEL LOADER | 426 HT TIER III



JCB WHEEL LOADER | 426 HT TIER III



THE BEST BACK-UP IN THE BUSINESS

Buy any JCB model and you'll get a complete deal that extends beyond that of any rival.

FINANCE

Your JCB Dealer can meet your financial needs through a variety of plans for leasing, lease purchases with or without options, installment sales contracts and rental programs.

PARTS

JCB Dealers' convenient locations offer excellent 'over the counter' parts availability.

WARRANTY

JCB machines are covered by JCB's one year standard warranty, which is outlined in the JCB 'Certificate of Warranty'. Extended warranty coverage is also available. Contact your JCB Dealer for details.

REGIONAL PARTS DEPOTS

For the breakdown part your dealer may not have in stock, JCB has SDD 'Same Day Dispatch,' from one of two parts distribution centers in the United States and one in Canada.

SERVICE

JCB Dealer service people are committed to keeping your JCB up and running. JCB Dealer mechanics are enrolled in on-going training programs and supported by experienced JCB Service Representatives based throughout North America.



1588

JCB Headquarters Savannah, 2000 Bamford Blvd., Pooler, GA 31322. Tel: 912.447.2000. Fax: 912.447.2299. www.jcb.com

JCB reserves the right to change design, materials and/or specifications without notice. Specifications are applicable to units sold in the United States and Canada. The JCB logo is a registered trademark of J C Bamford Excavators Ltd.

USA 21069-11/05-1SS 2

JCB WHEEL LOADER | 426 HT TIER III

Helping You Get
the Job Done!