

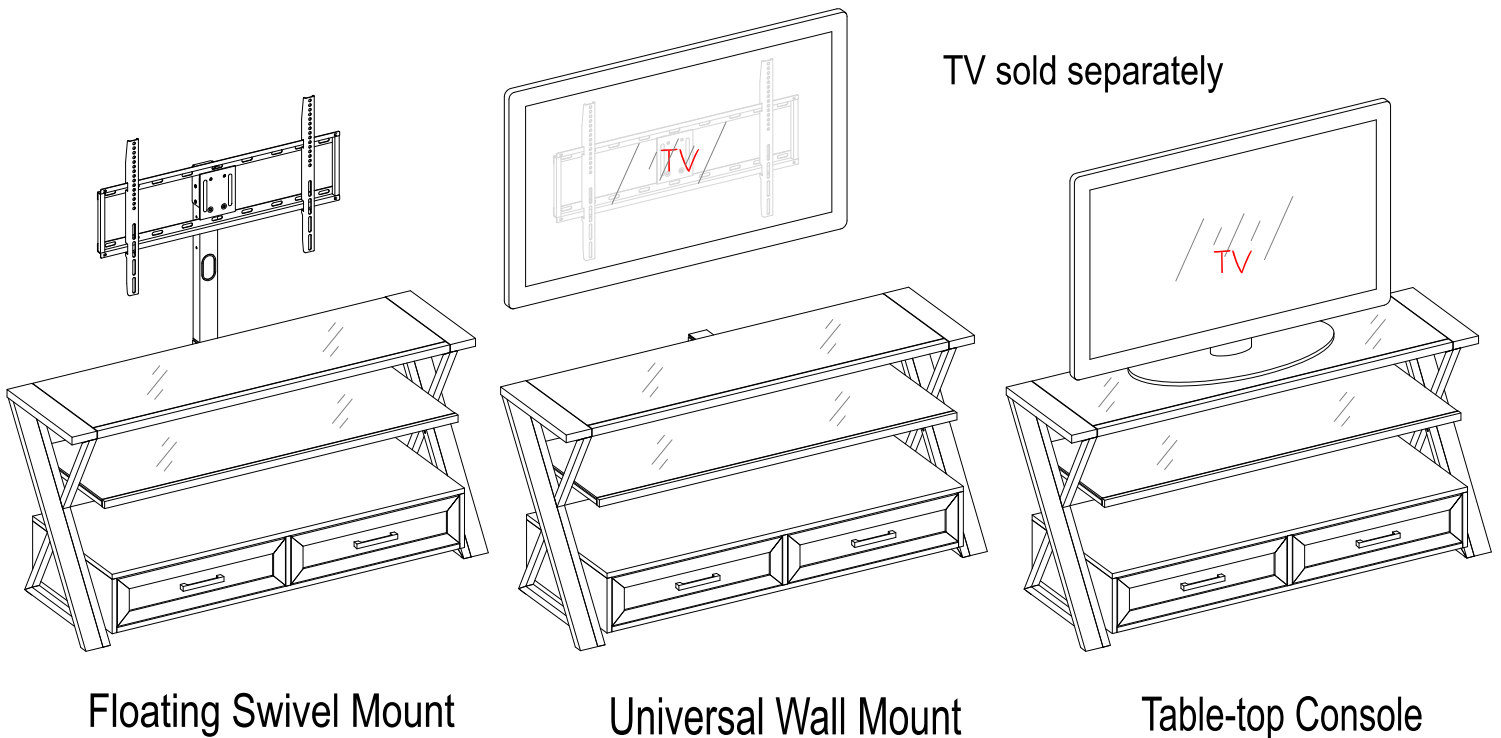


LOT NUMBER: _____
DATE PURCHASED: __/__/__

3-N-1™ TV Console with Drawer Model # XLDEC54-NV

U.S. Patent 8,561,551

This item is designed to be a 3-in-1 configuration. Please choose the option that best suits your needs. DO NOT discard any of the hardware or parts that you will not use on your chosen option. This will allow you to use this TV Console in different configurations at a later date, if desired.



ADULT ASSEMBLY REQUIRED

If you have any questions regarding assembly or if parts are missing, DO NOT return this item to the store where it was purchased. Please call our customer service number and have your instructions and parts list ready to provide the model name, part name or factory number:

1-866-942-5362

Pacific Standard Time: 8:30 a.m. - 4:30 p.m., Monday - Friday

Or visit our web site 24 hours a day, 7 days a week for product assistance at

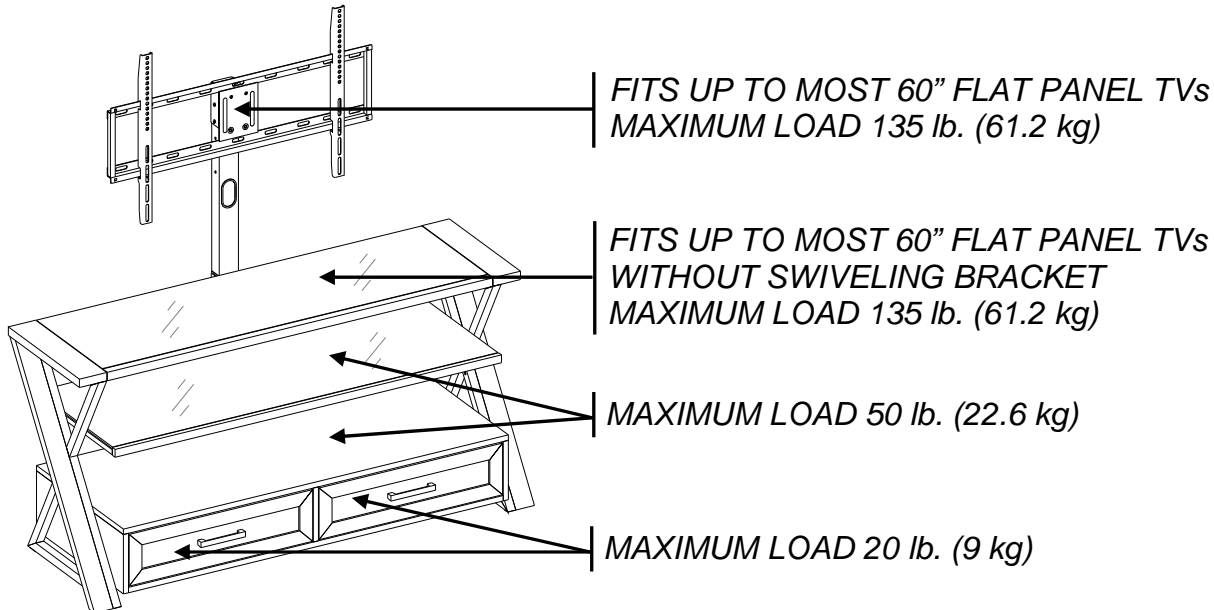
www.whalenfurniture.com

Or e-mail your request to parts@whalenfurniture.com

**THIS INSTRUCTION BOOKLET CONTAINS IMPORTANT SAFETY INFORMATION.
PLEASE READ AND KEEP FOR FUTURE REFERENCE.**

MAXIMUM RECOMMENDED WEIGHT LOADS

MANUFACTURER: Whalen Furniture Mfg., Inc.
 CATALOG: 3-N-1™ TV Console with Drawer (XLDEC54-NV)
 DATE OF MANUFACTURE: November 2013
 MADE IN CHINA



⚠ WARNING

THIS UNIT IS NOT INTENDED FOR USE WITH CRT TVS. USE ONLY WITH FLAT PANEL TVS AND AUDIO/VIDEO EQUIPMENT MEETING RECOMMENDED SIZE AND WEIGHT LIMITS. NEVER USE WITH LARGER/HEAVIER THAN RECOMMENDED FLAT PANEL TVS OR EQUIPMENT. TO AVOID INSTABILITY, PLACE FLAT PANEL TV IN THE CENTER OF THE UNIT; CRT TVS, IMPROPERLY POSITIONED FLAT PANEL TVS, OR FLAT PANEL TVS OR OTHER EQUIPMENT THAT EXCEED RECOMMENDED SIZE AND WEIGHT LIMITS COULD FALL OFF OR BREAK THE UNIT, CAUSING POSSIBLE SERIOUS INJURY.

GENERAL INFORMATION, TIPS and TRICKS

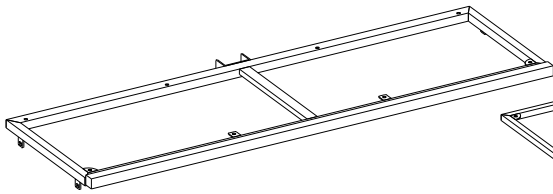
1. Please read the Assembly Instructions prior to assembling this product.
2. Remove all hardware from the box and sort by size.
3. Check to see that all hardware and parts are present BEFORE assembling.
4. Ask a friend to assist you with the assembly of this furniture.
5. To avoid damage, assemble the product on a sturdy, level and protective surface.
6. Please wait until all steps are completed before fully tightening Bolts.
7. Make sure all Bolts are tightly fastened before the unit is used.

This product is sold with one set of Tipping Restraint Hardware Kit. You must install the Tipping Restraint Hardware between the wall and the TV console to prevent any accidents or damages. When properly installed, this restraint can provide protection against the unexpected tipping of the unit due to small tremors, bumps or climbing. The restraint is only a deterrent and is not a substitute for proper adult supervision. Use of tip-over restraints may only reduce, but not eliminate, the risk of tip-over.

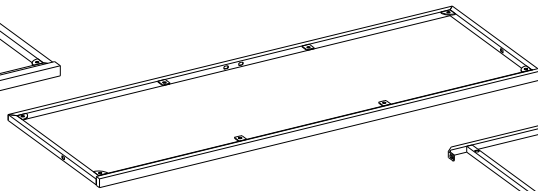
Please call for replacement parts or assistance: **1-866-942-5362**

Parts and Hardware List

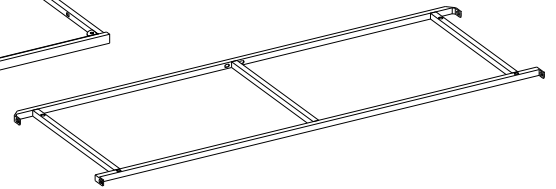
Please read completely through the instructions and verify that all listed parts and hardware are present before beginning assembly.



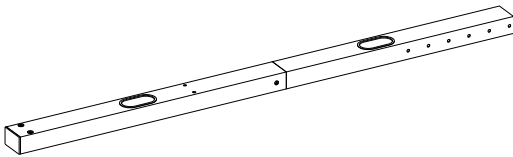
A- Top Shelf Frame (1)



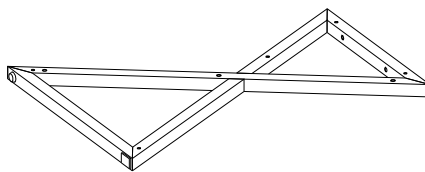
B- Middle Shelf Frame (1)



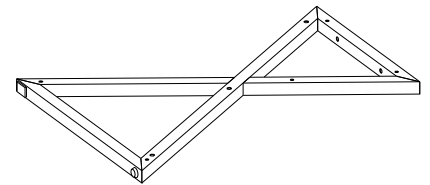
C- Bottom Shelf Frame (1)



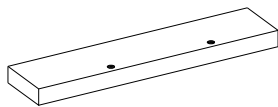
D- Spine Assembly (1)



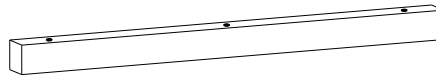
E- Left Metal Leg (1)



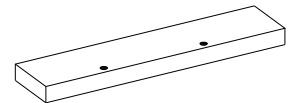
F- Right Metal Leg (1)



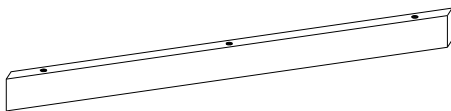
G- Left Leg Top Rail (1)



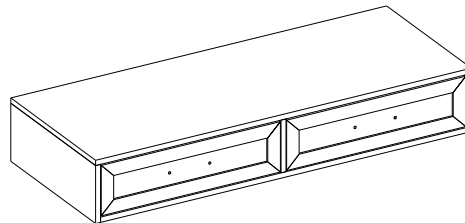
H- Left Wood Leg (1)



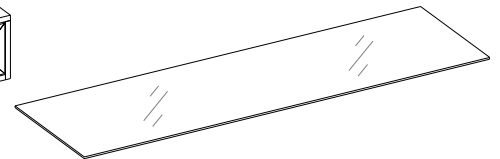
I- Right Leg Top Rail (1)



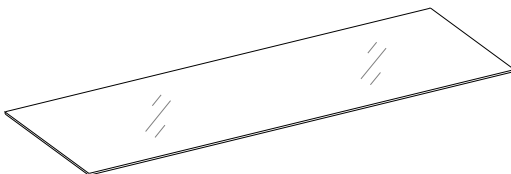
J- Right Wood Leg (1)



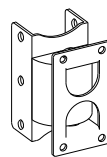
K- Drawer Box (1)



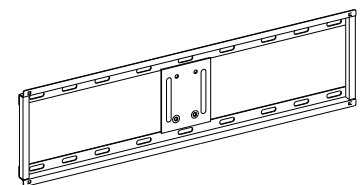
L- Top Glass (1)



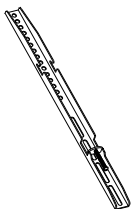
M- Glass Shelf (1)



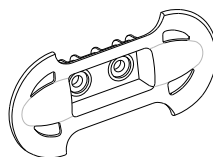
N- Swiveling Bracket (1)



O- Mounting Frame (1)



P- Monitor Bracket (2)

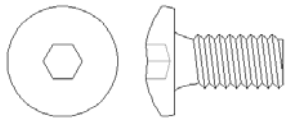


Q- Cable Wheel (2)

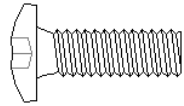


(1) Suction Cup (16+1 extra)

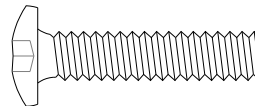
Parts and Hardware List



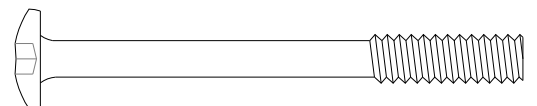
(2) 1/2" Bolt
(4+1 extra)



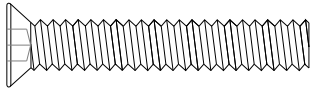
(3) 3/4" Bolt
(20+1 extra)



(4) 1-1/8" Bolt
(10+1 extra)



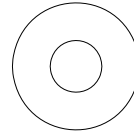
(5) 2-1/2" Bolt
(1+1 extra)



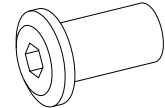
(6) 1-1/2" Bolt
(10+1 extra)



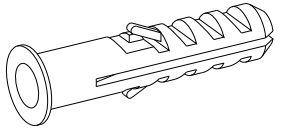
(7) Lock Washer
(21+1 extra)



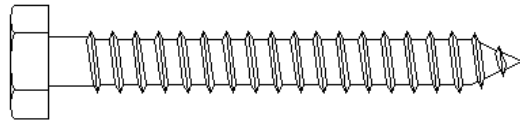
(8) Flat Washer
(21+1 extra)



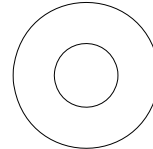
(9) Flange Nut
(1+1 extra)



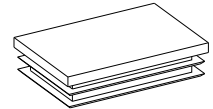
(10) Concrete Anchor
(4)



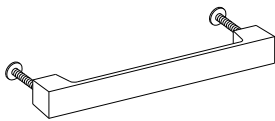
(11) 2-1/2" Lag Bolt
(4)



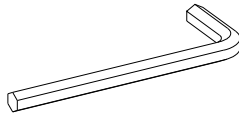
(12) Large Flat Washer
(4+1 extra)



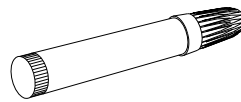
(13) Spine End Cap
(1)



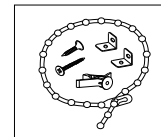
(14) Handle and Bolts
(2)



M4 Allen Wrench
(2)

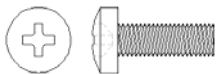


Touch-up Pen
(1)



Tipping Restraint Hardware Kit (1)
(Inside Plastic Bag)

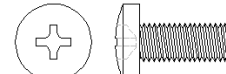
TV Mounting Kit



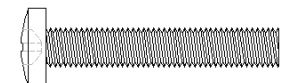
M4 x 12 Bolt (4)



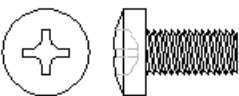
M4 x 30 Bolt (4)



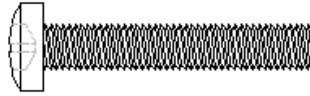
M5 x 12 Bolt (4)



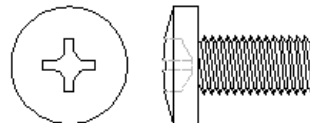
M5 x 30 Bolt (4)



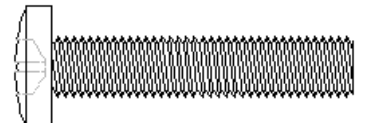
M6 x 12 Bolt (4)



M6 x 35 Bolt (4)



M8 x 16 Bolt (4)



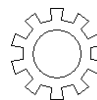
M8 x 40 Bolt (4)



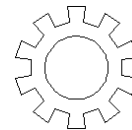
M4 Lock Washer (4)



M5 Lock Washer (4)



M6 Lock Washer (4)



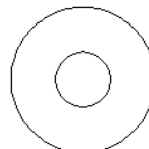
M8 Lock Washer (4)



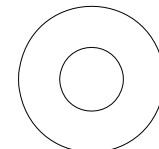
Large Spacer (4)



Small Spacer (4)



M4/M5 Flat Washer (8)

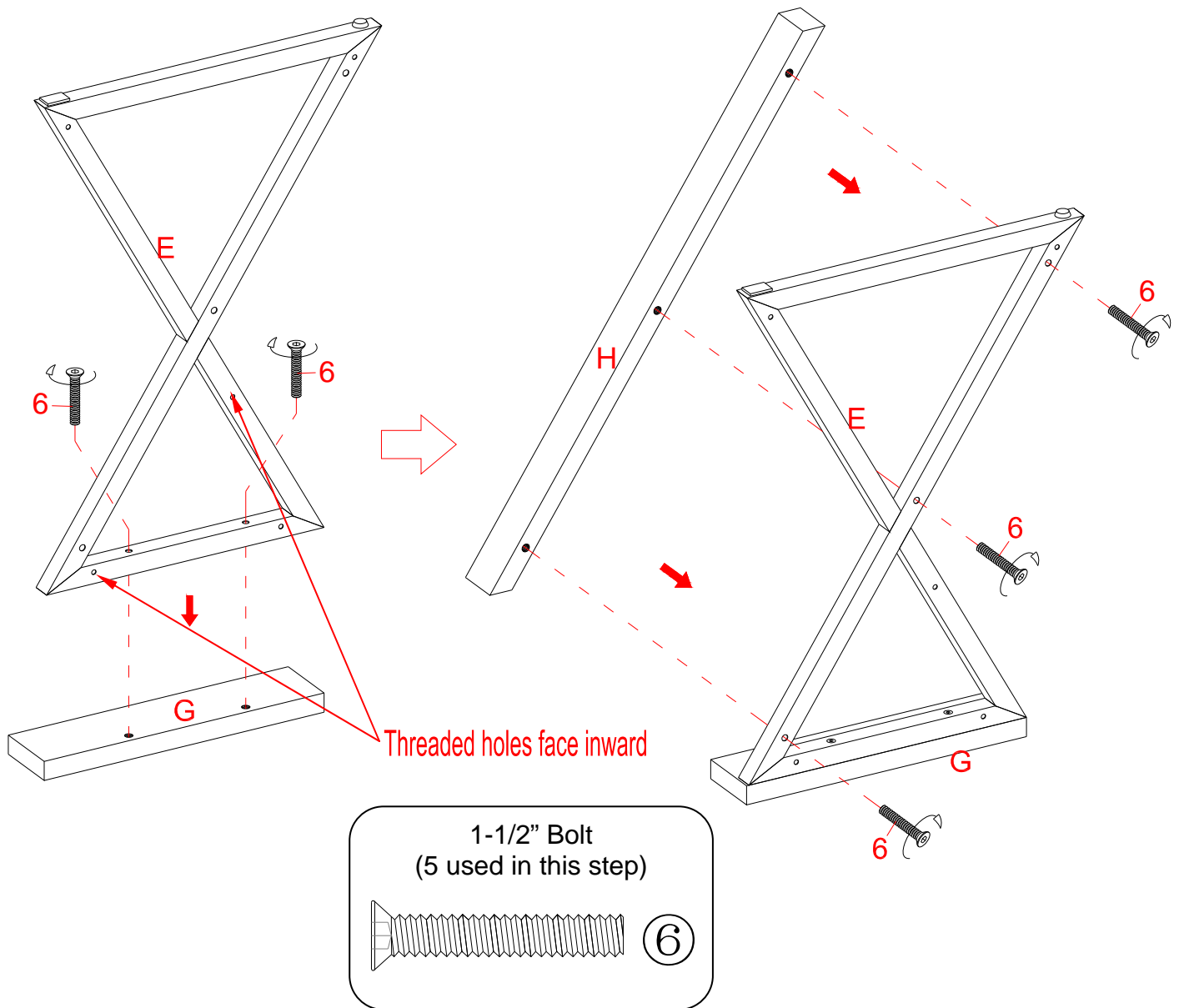


M6/M8 Flat Washer (4)

Tools required: Allen Wrench (provided) and Phillips screwdriver (not provided).

Please call for replacement parts or assistance: 1-866-942-5362

Assembly Instructions

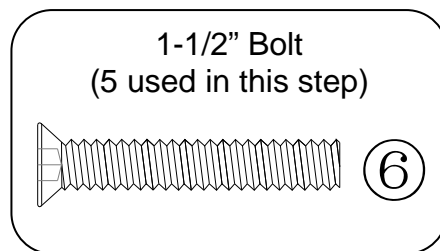
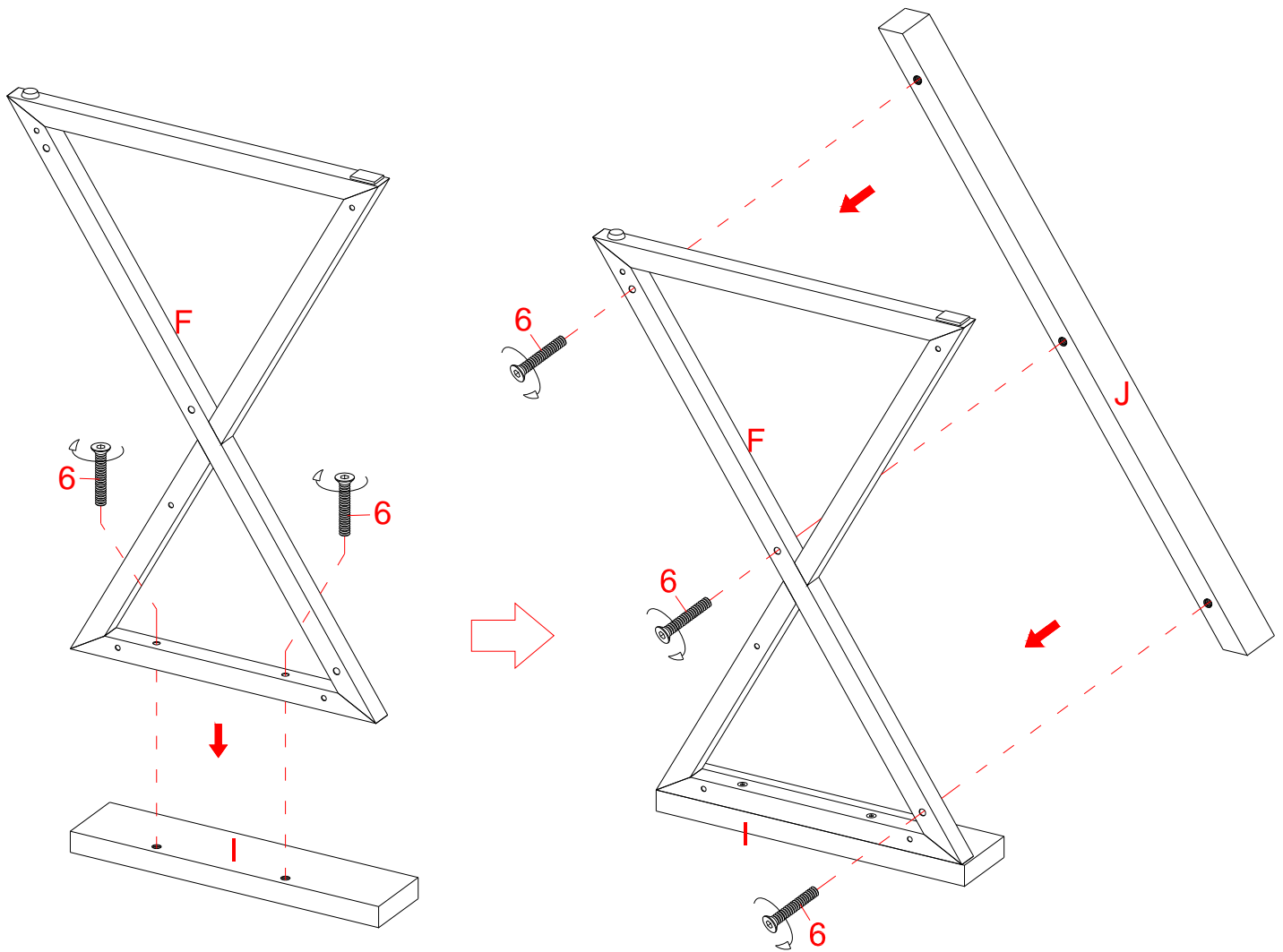


NOTE: Please do not fully tighten all bolts until you finish assembling all parts. Once assembled, go back and fully tighten all bolts. This will make the assembly easier.

1. Unpack the unit and confirm that you have all the hardware and required parts.
2. Locate the Left Leg Top Rail (G) on a scratch free surface with the threaded inserts facing up, as shown.
3. Align and attach Left Metal Leg (E) to the Left Leg Top Rail (G) using two 1-1/2" Bolts (6), as shown. Make sure that the front edges are even with each other.
4. Fasten the Left Wood Leg (H) to the Left Metal Leg (E) with three 1-1/2" Bolts (6). As shown.

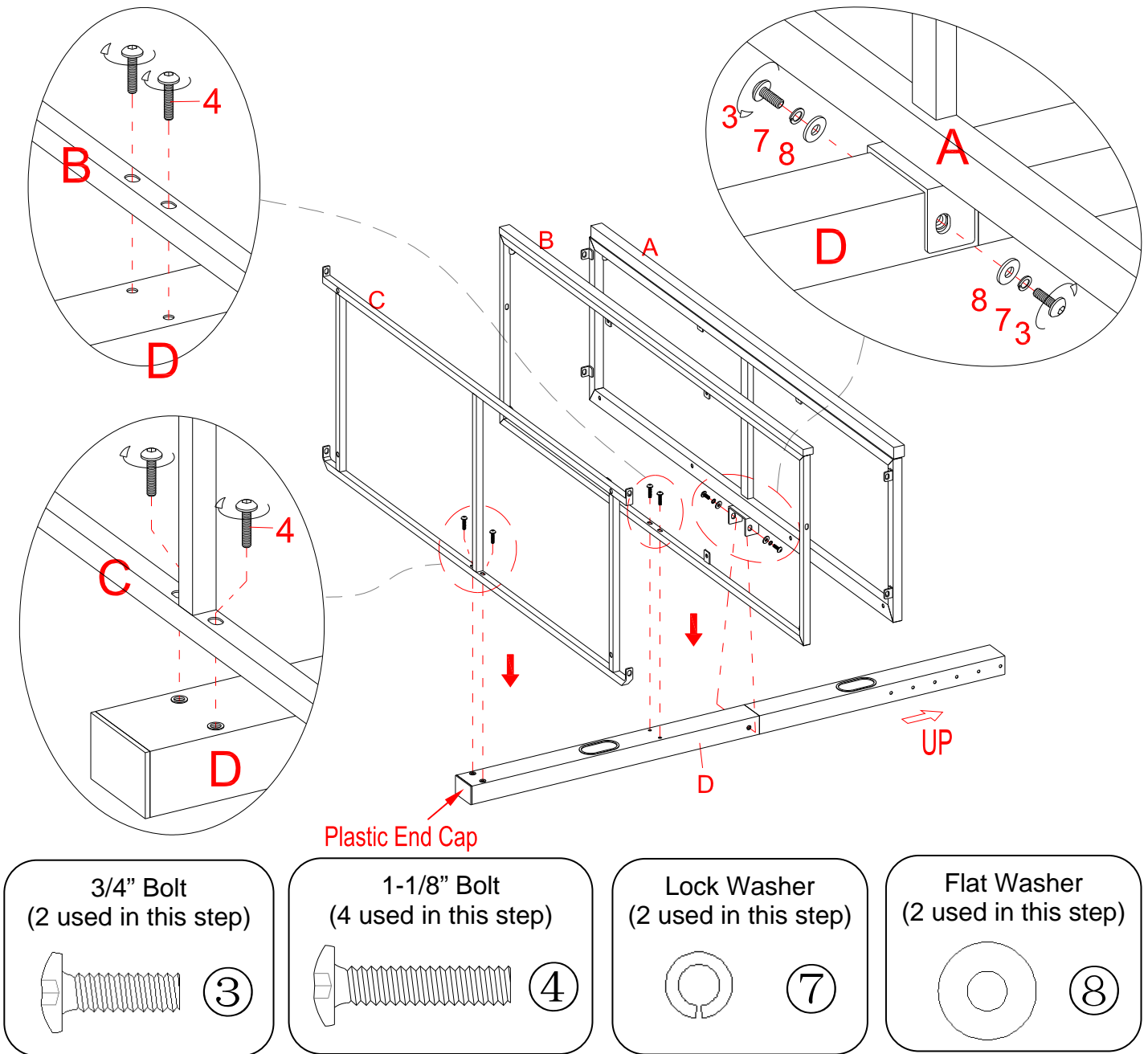
Please call for replacement parts or assistance: 1-866-942-5362

Assembly Instructions



5. Repeat the same procedure to assemble the Right Legs. As shown above.

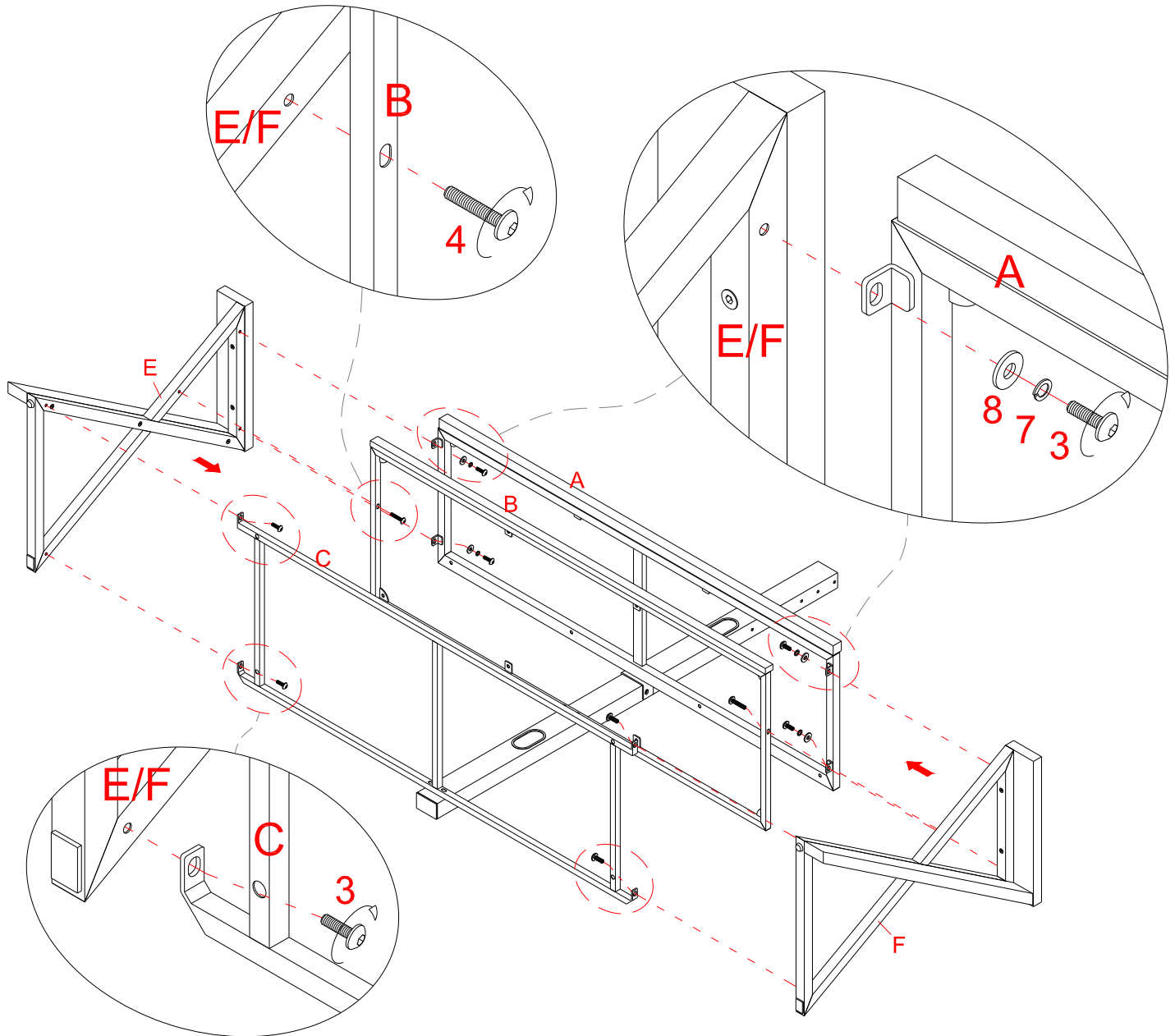
Assembly Instructions

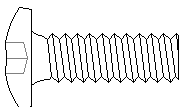
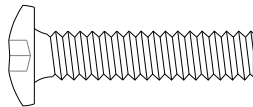

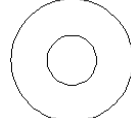


6. Locate the Spine Assembly (D) and set the back face down on a scratch-free surface, as shown above.
7. Fasten the Top Shelf Frame (A) to the Spine (D) by inserting two 3/4" Bolts (3) with Lock Washers (7) and Flat Washers (8) through the "U" shape bracket and screw in place. Make sure that the end brackets will face the bottom of the unit.
8. Fasten the Middle and Bottom Shelf Frames (B and C) to the Spine (D) using two 1-1/8" Bolts (4) in each. Make sure that the inside corner brackets on the Middle Shelf Frame will face up when the unit is turned upright.

Please call for replacement parts or assistance: 1-866-942-5362

Assembly Instructions

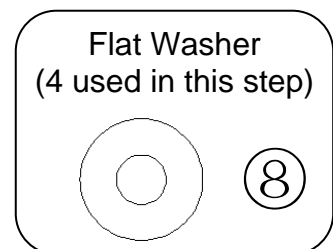
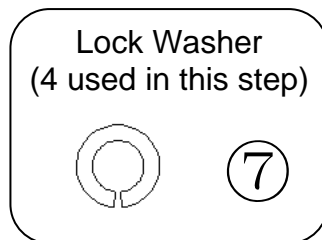
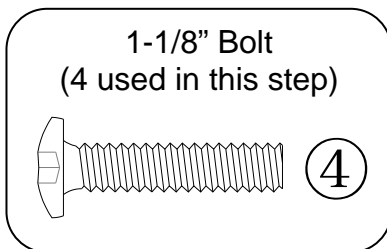
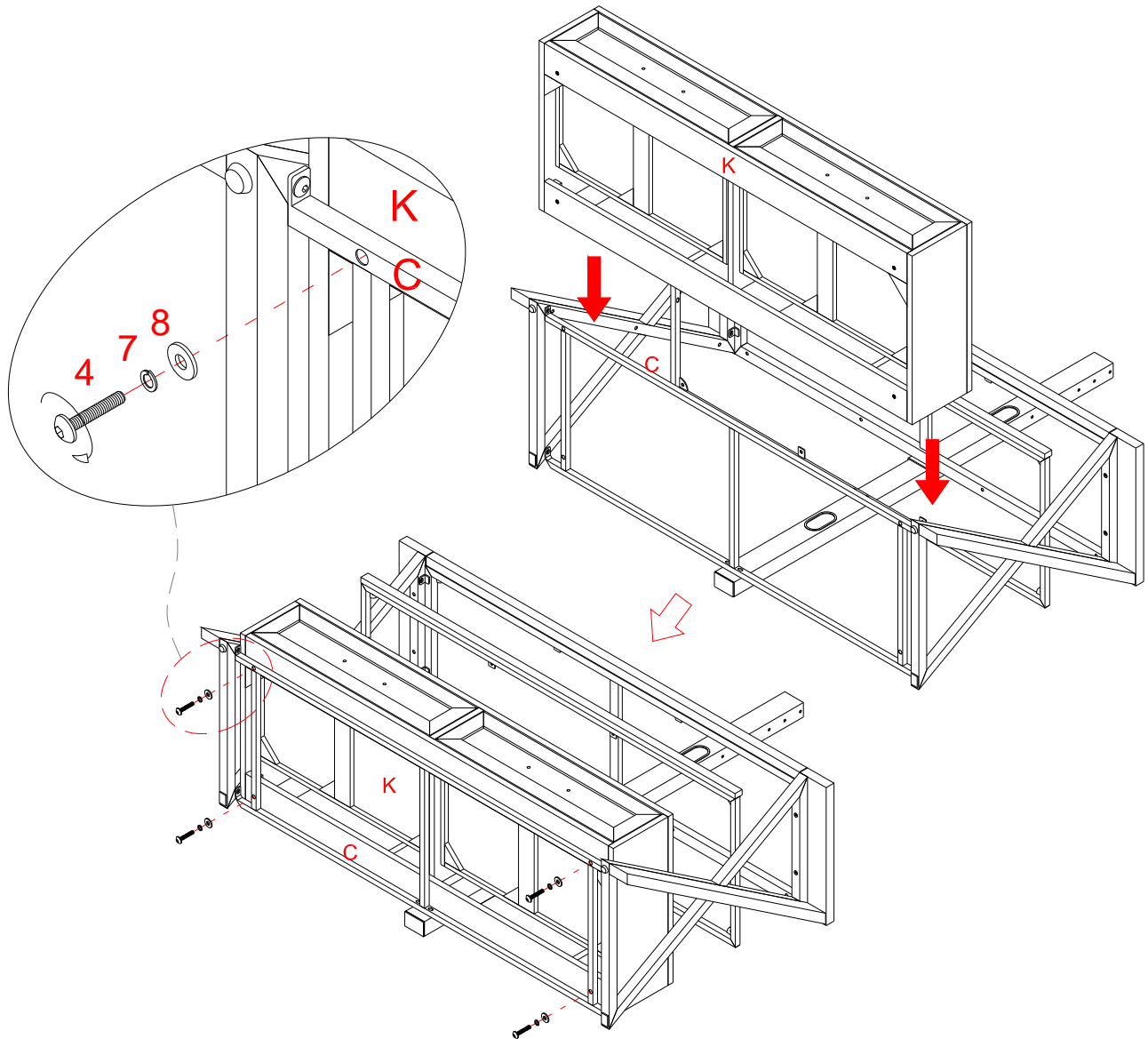


<p>3/4" Bolt (8 used in this step)</p>  <p>③</p>	<p>1-1/8" Bolt (2 used in this step)</p>  <p>④</p>	<p>Lock Washer (4 used in this step)</p>  <p>⑦</p>	<p>Flat Washer (4 used in this step)</p>  <p>⑧</p>
---	---	--	---

9. Align and attach the assembled Metal Legs (E and F) to the Shelf Frames (A, B and C). As shown above.

Please call for replacement parts or assistance: 1-866-942-5362

Assembly Instructions

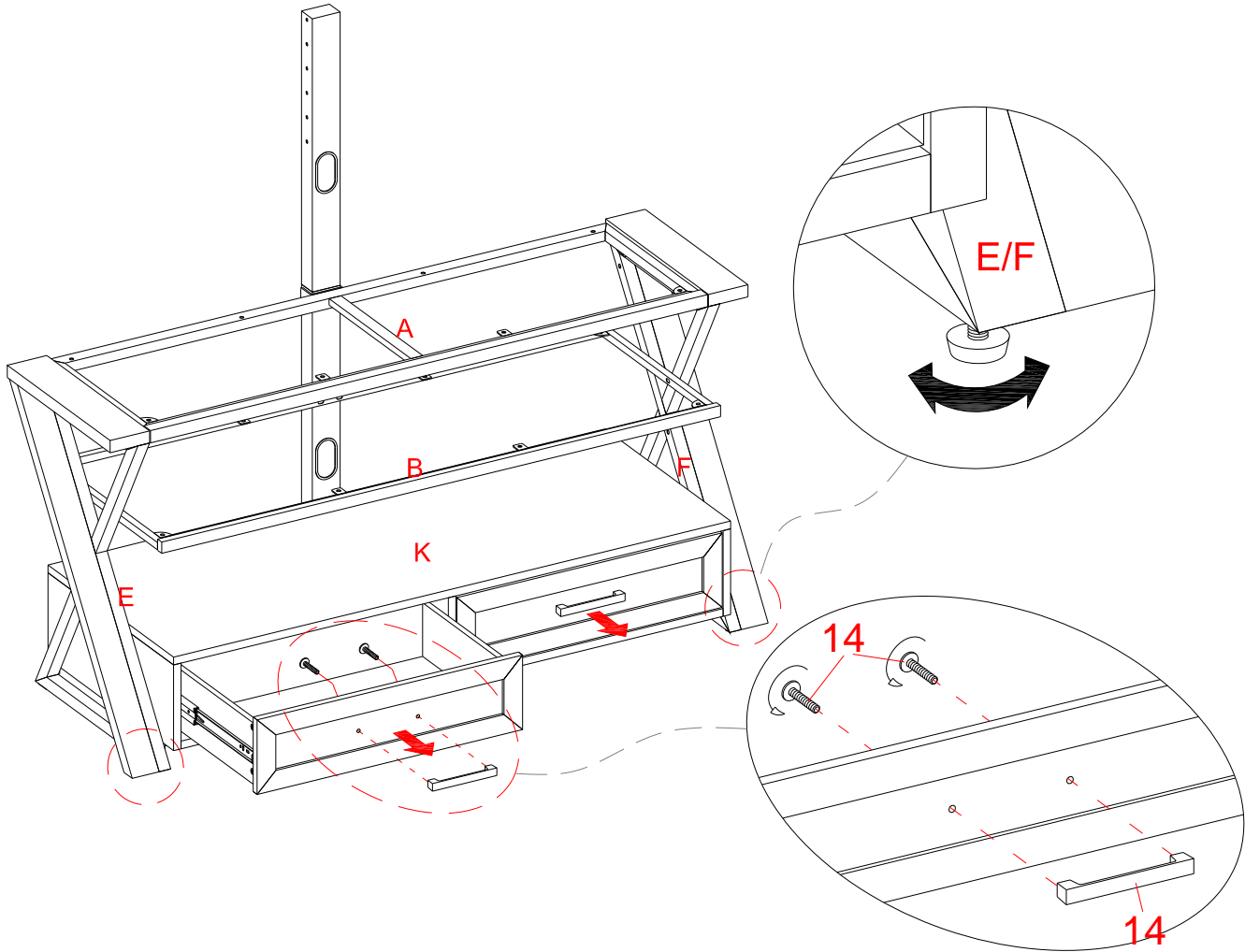


10. Insert the Drawer Box (K) between the Middle Shelf Frame (B) and the Bottom Shelf Frame (C) with the drawer front facing up. Make sure the threaded inserts on the bottom of Drawer Box (K) overlap the drilled holes on the Bottom Shelf Frame (C) properly.

11. Insert four 1-1/8" Bolts (4) with the Washers (7 and 8) through the drilled holes on the Bottom Shelf Frame (C) and securely screw into the threaded inserts underneath the Drawer Box (K).

Please call for replacement parts or assistance: 1-866-942-5362

Assembly Instructions




12. Stand the unit upright.

13. With the drawers open, remove the bolts in Handles (14), and then use the bolts to attach the Handles to the outside of the utility drawers.

NOTE: If you need to remove the utility drawer, please pull the drawer all the way out, then simultaneously push the plastic release lever of the ball bearing slide up on one side and down on the other side, and then pull it completely out.

14. Go back and tighten all bolts with the enclosed Allen Wrench.

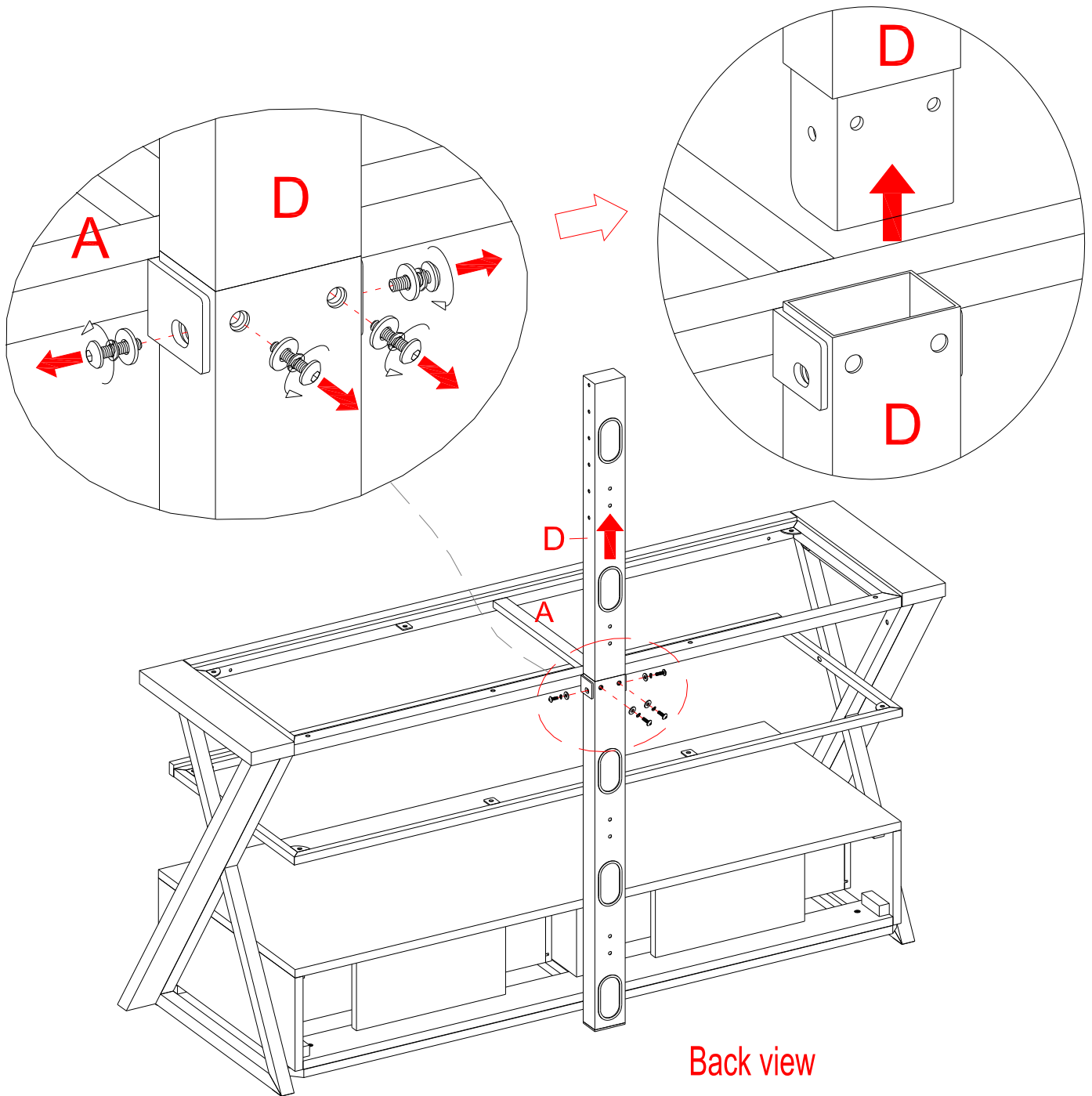
15. If necessary, adjust the pre-attached Floor Levelers at the bottom of both Metal Legs (E and F) to level the unit.



**If you choose the Table-top configuration,
continue to the next step.
If mounting the TV to the Floating Swivel
Mount, skip ahead to PAGE 16.**

Please call for replacement parts or assistance: 1-866-942-5362

Assembly Instructions for Table-top Console



16. At the back side of the Spine Assembly (D), unscrew the four bolts and the washers to remove the Upper Spine. So that you can use the table top console configuration.

NOTE: Keep the Upper Spine and the fasteners at a proper place in case you will use the floating swivel mount.

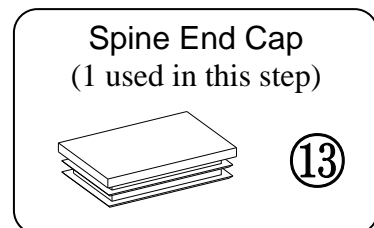
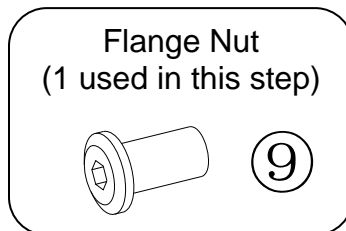
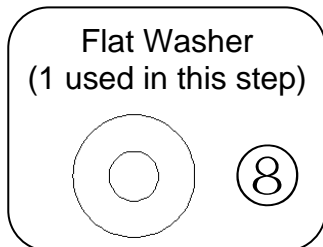
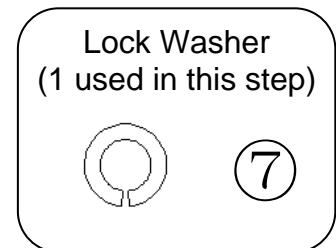
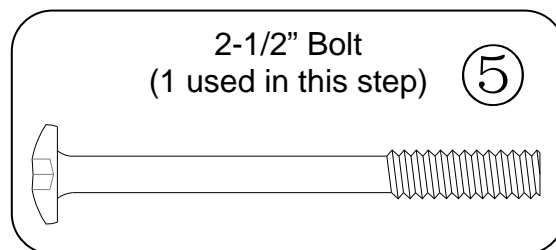
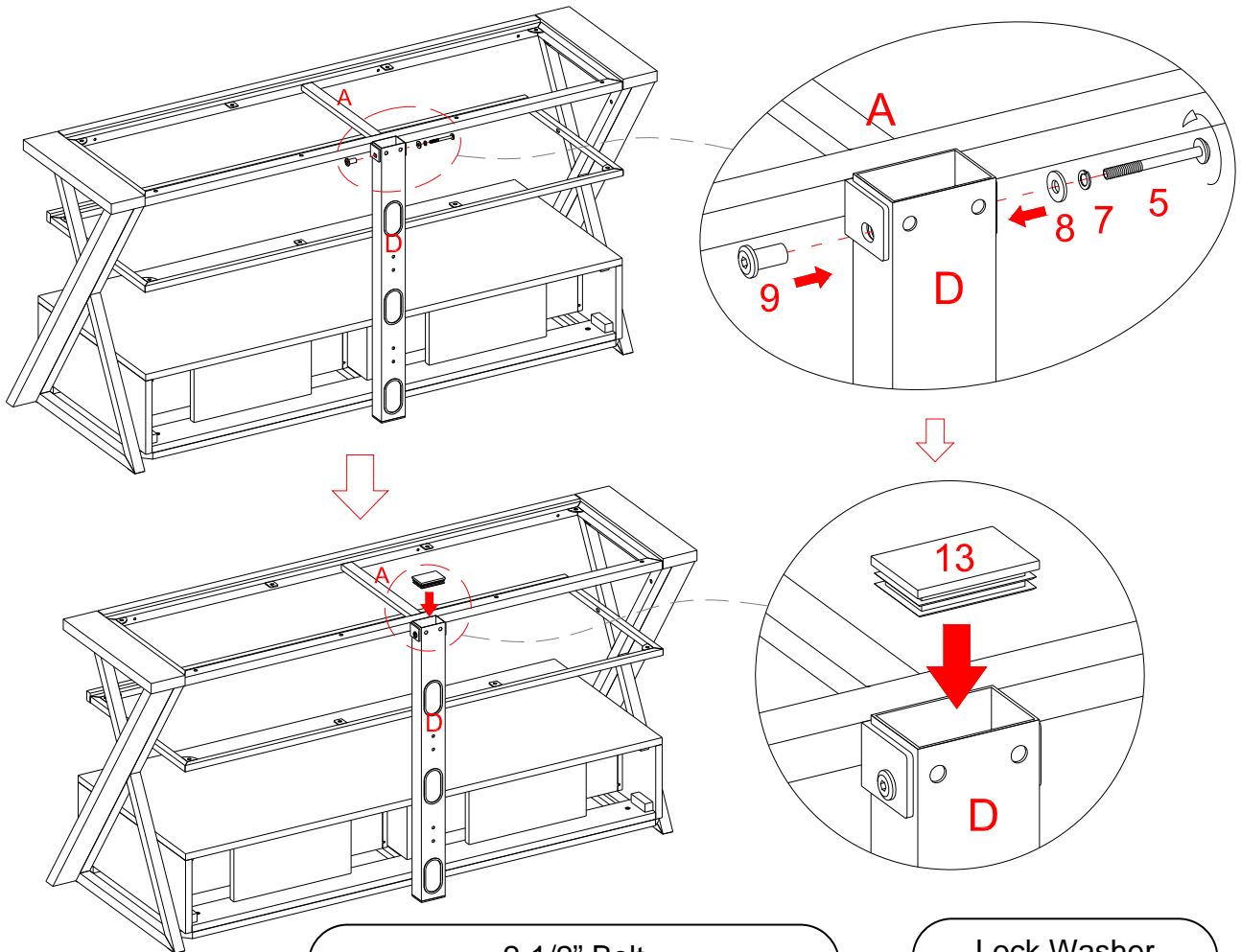
Please call for replacement parts or assistance: 1-866-942-5362

Whalen Furniture Mfg., Inc.

Page 11

Factory No. 33-10944

Assembly Instructions for Table-top Console

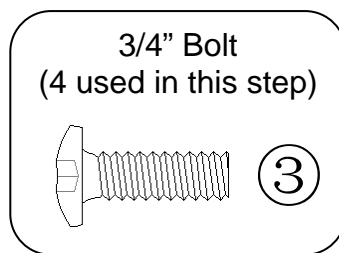
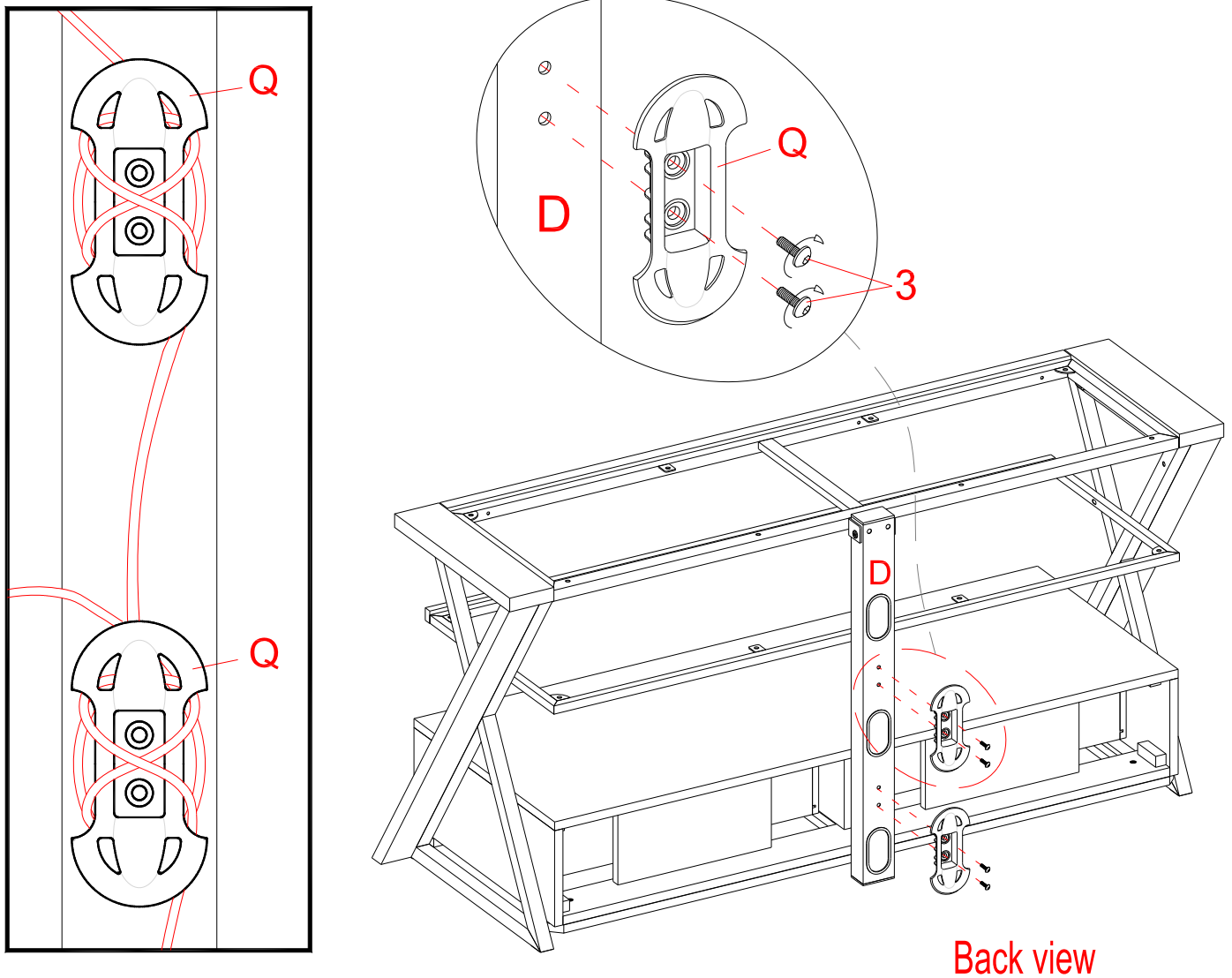


17. Fasten the Top Shelf Frame (A) to the Lower Spine (D) by inserting one 2-1/2" Bolt (5) with the Washers (7 and 8) through the drilled holes on the lower spine and securely screw into the Flange Nut (9).

18. Plug the Spine End Cap (13) all the way into the top of the Lower Spine (D).

Please call for replacement parts or assistance: 1-866-942-5362

Assembly Instructions for Table-top Console



19. Attach 2 Cable Wheels (Q) to the backside of Lower Spine (D) with the 3/4" Bolts (3). Tighten the bolts with the enclosed Allen Wrench.

NOTE: You can use the Cable Wheels to help keep your entertainment center's cables and cords organized.

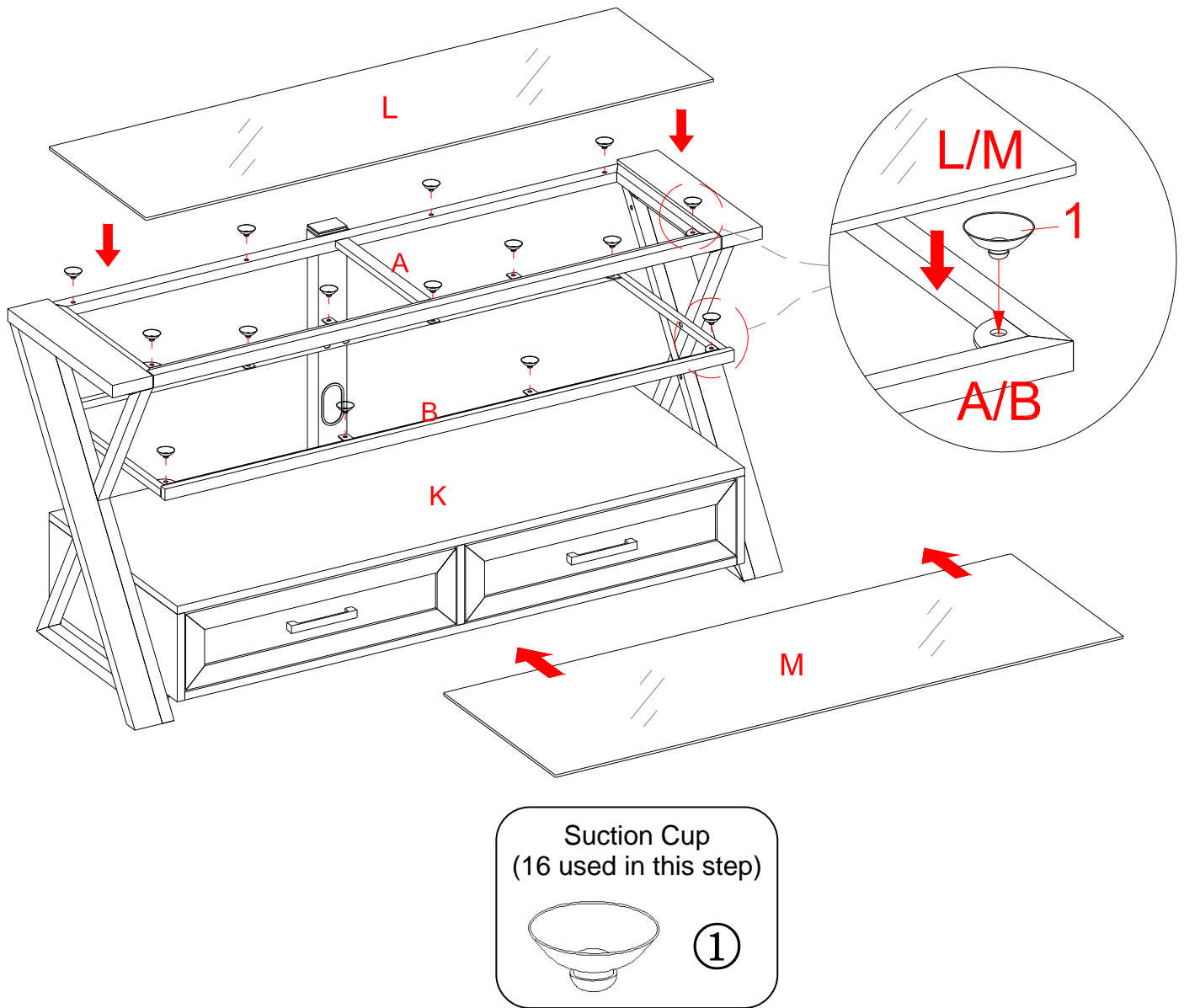
Please call for replacement parts or assistance: 1-866-942-5362

Whalen Furniture Mfg., Inc.

Page 13

Factory No. 33-10944

Assembly Instructions for Table-top Console



20. Put the Suction Cups (1) firmly into the top holes and inside metal tabs on the Shelf Frames (A and B). As shown.

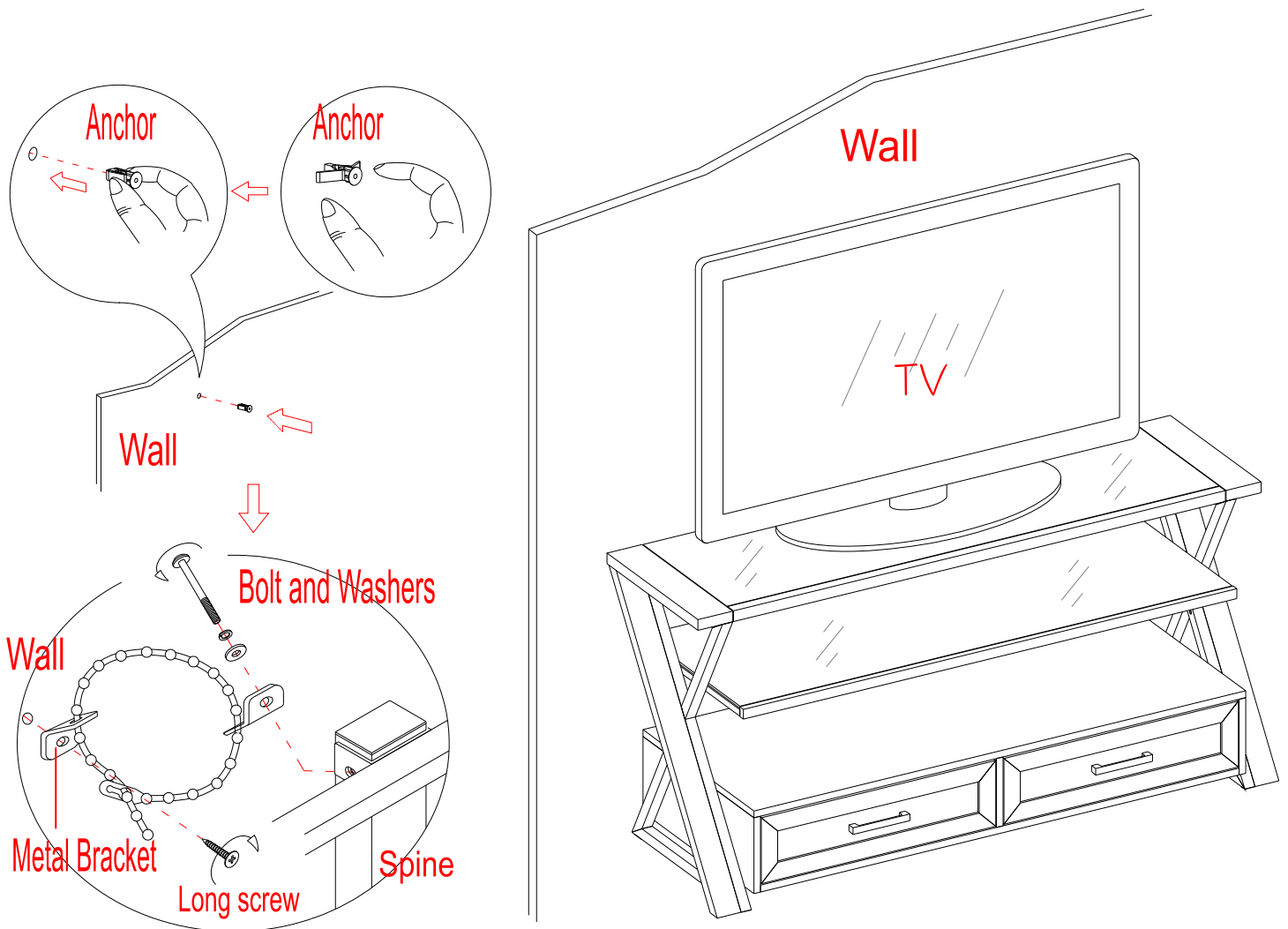
TIP: If a suction cup resists insertion, try pressing down on the middle of the cup with the Allen Wrench while twisting it clockwise into the hole.

21. Place Glass Shelves (L and M), with the black side of glass down, onto the Suction Cups (1) on shelf frames. Push all glass shelves all the way back against the Spine. Also, be sure to press down evenly and firmly each glass onto the Suction Cups to make sure they securely rest onto the Suction Cups.

NOTE: If a glass shelf is scratched, you can minimize the damage by using a BLACK marker and filling in scratched area from underneath.

Please call for replacement parts or assistance: 1-866-942-5362

Assembly Instructions for Table-top Console



Tools required: Allen Wrench (provided), Phillips screwdriver, Mallet, Power Drill, and 3/8" Drill Bit.

22. Position the assembled console at the desired location against a wall. Now, follow the instructions printed on the plastic bag containing the Tipping Restraint Hardware to attach the tip-over restraint to the Spine and the wall.

NOTE: YOU MUST USE THIS TIPPING RESTRAINT TO ATTACH THIS UNIT TO THE WALL, TO PREVENT ACCIDENTS AND/OR INJURIES.

23. The console is now ready for use. Be sure to position your Flat Panel TV in the center of the console.

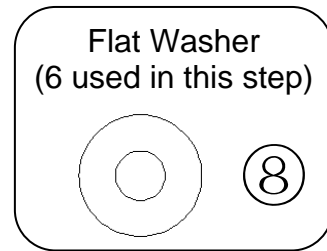
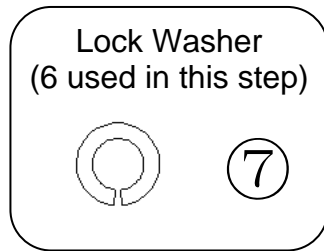
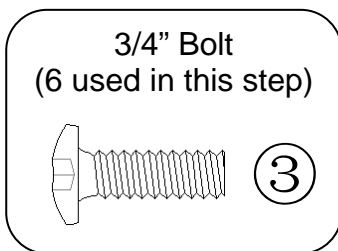
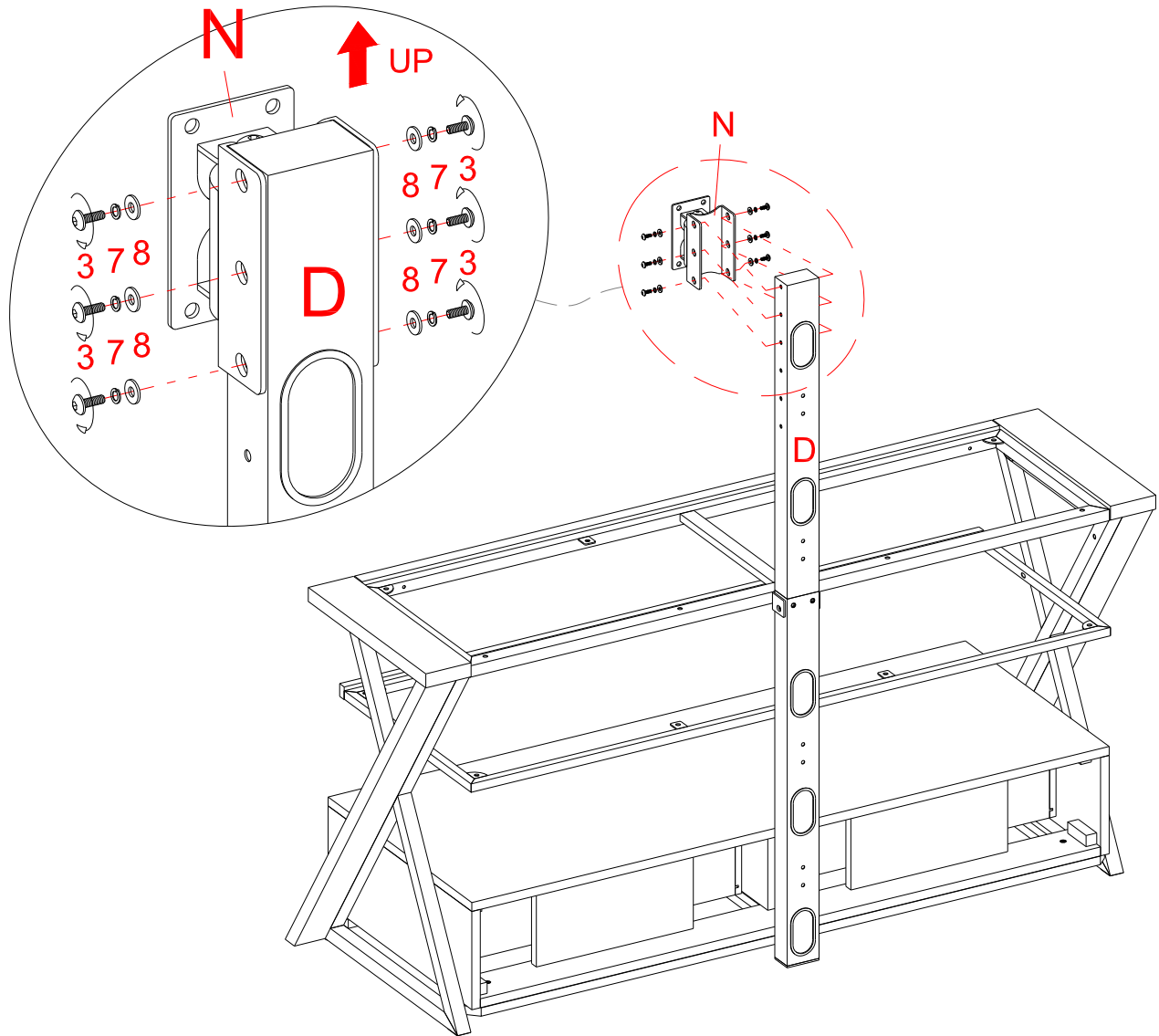
Please call for replacement parts or assistance: 1-866-942-5362

Whalen Furniture Mfg., Inc.

Page 15

Factory No. 33-10944

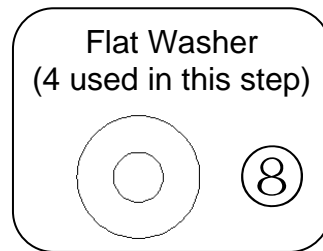
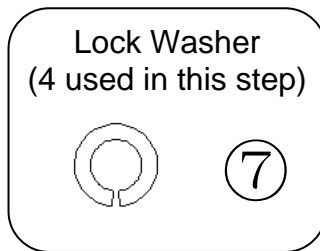
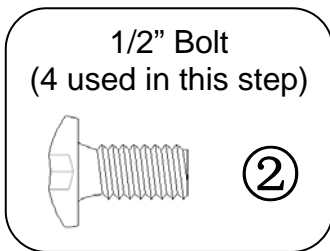
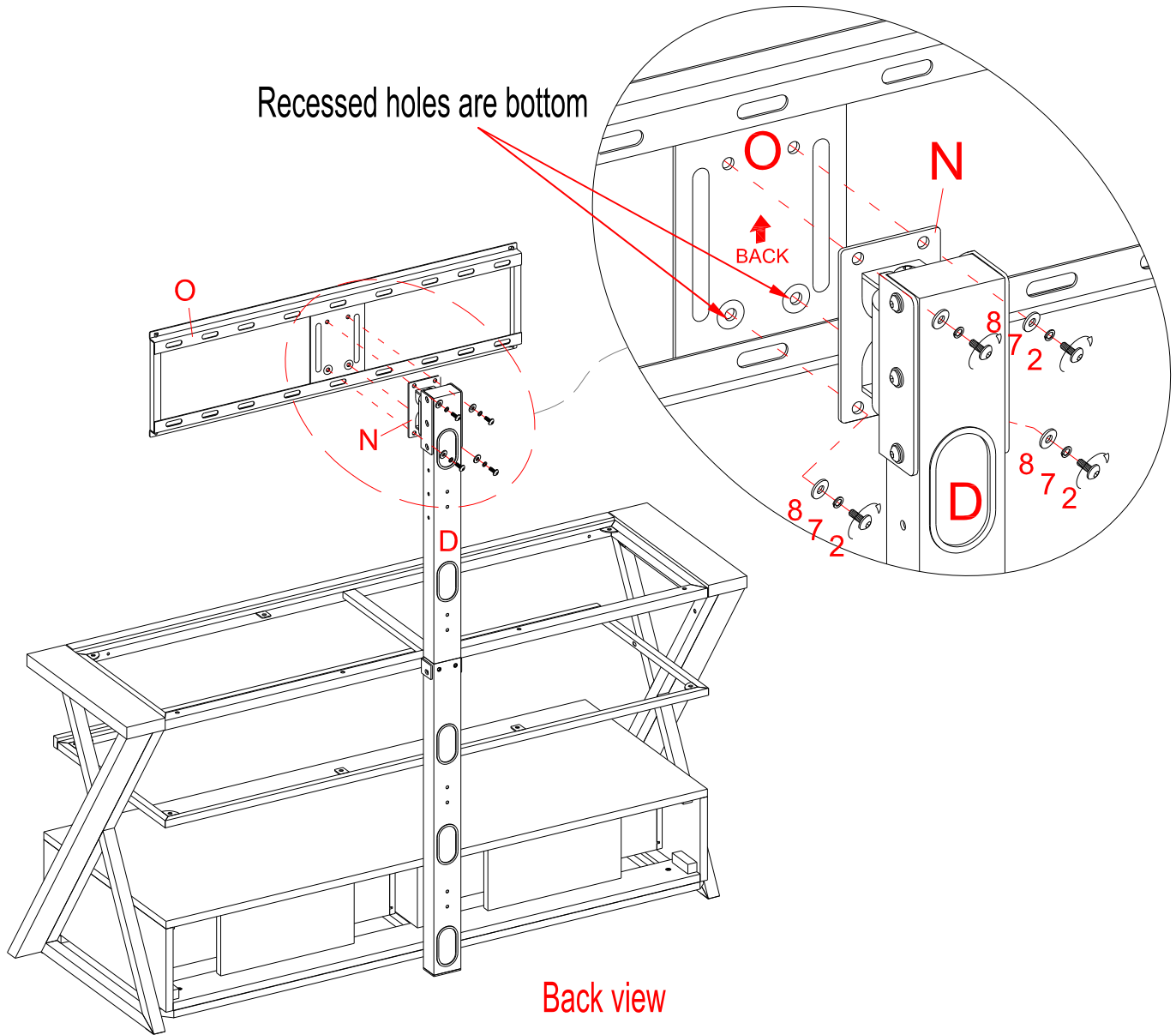
Assembly Instructions for Floating Swivel Mount



24. Fast the Swiveling Bracket (N) to the top of the Upper Spine (D) with six 3/4" Bolts (3) and Washers (7 and 8). Make sure that the pivoting bolt head is up. Tighten the bolts with the enclosed Allen Wrench.

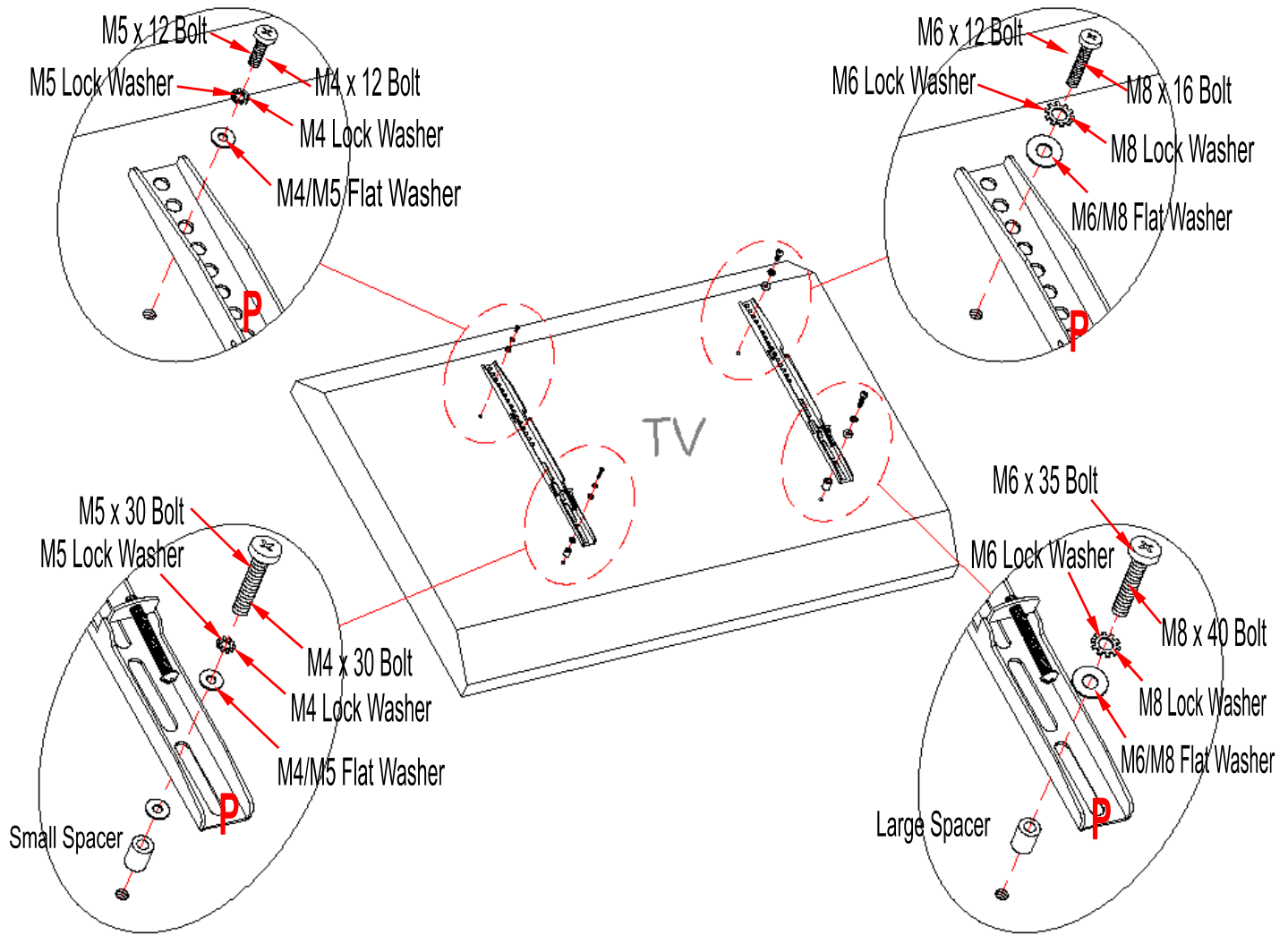
NOTE: The Spine can provide four height options for your TV set. Refer to your TV size and adjust the Swiveling Bracket at the desired height for optimum viewing.

Assembly Instructions for Floating Swivel Mount



25. Hold and attach the flat side of the Mounting Frame (O) onto the Swiveling Bracket (N) with four 1/2" Bolts (2) and Washers (7 and 8). Make sure that the recess holes on the Mounting Frame are at the bottom.

Mounting the Monitor Brackets to a Television with a Flat Back



NOTE: For televisions with a curved or recessed back, proceed directly to next page.

26. Determine the correct diameter of the bolt the TV requires by hand threading them into the threaded inserts on the back of the TV. If you encounter any resistance, stop immediately. If you are unable to find the correct bolt, consult a local hardware store.

27. Follow the appropriate diagram above to attach the Monitor Brackets (P) to the back of the TV with the selected fasteners. Make sure the Monitor Brackets are centered and level with each other. Secure the bolts with a Phillips screwdriver. DO NOT over tighten the bolts.

NOTE: Lean the TV up against a wall or other solid surface when attaching the Monitor Brackets. DO NOT place the TV face down on the glass as this may cause permanent damage.

NOTE: If mounting your TV in the Wall Mount configuration, once you have completed the installation of the monitor brackets, proceed to PAGE 22.

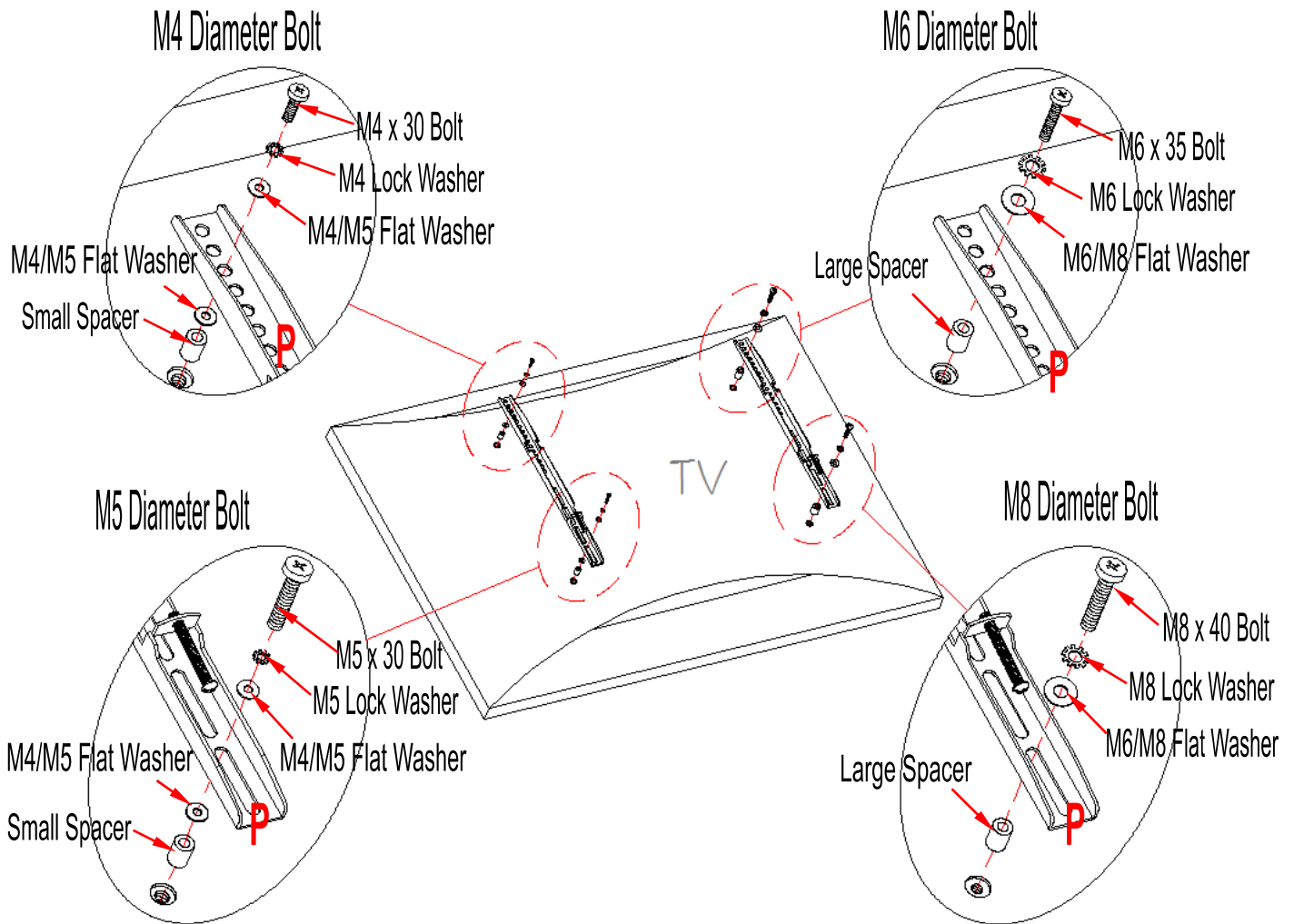
Please call for replacement parts or assistance: 1-866-942-5362

Whalen Furniture Mfg., Inc.

Page 18

Factory No. 33-10944

Mounting the Monitor Brackets to a Television with a Curved/Recess Back



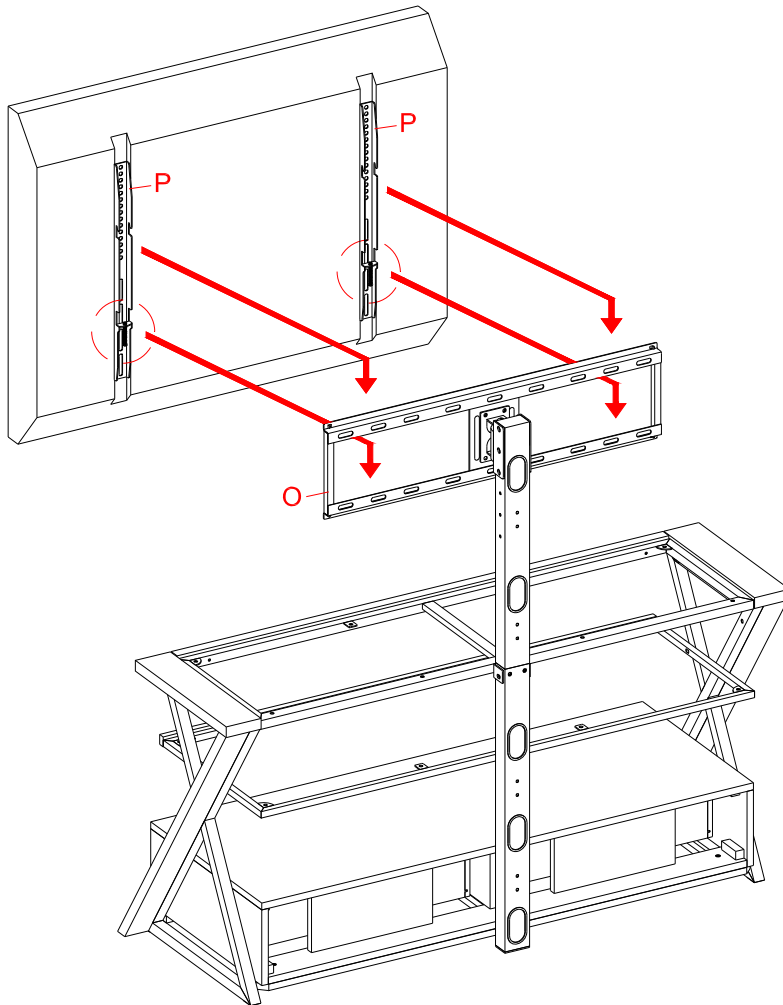
28. Determine the correct diameter of the bolt the TV requires by hand threading them into the threaded insert on the back of the TV. If you encounter any resistance, stop immediately. If you are unable to find the correct bolt consult a local hardware store.

29. Follow the appropriate diagram above to attach the Monitor Brackets (P) to the back of the TV with the selected fasteners. Make sure the Monitor Brackets are vertically centered and level with each other. Secure the bolts with a Phillips Screwdriver. DO NOT over tighten the bolts.

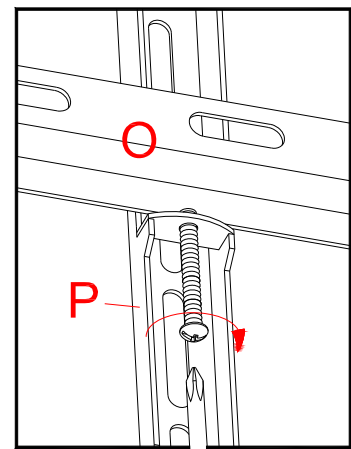
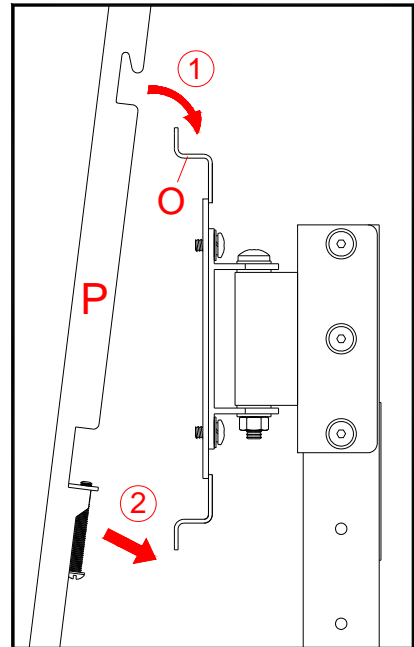
NOTE: Lean the TV up against a wall or other solid surface when attaching the Monitor Brackets. DO NOT place the TV face down on the glass as this may cause permanent damage.

NOTE: If mounting your TV in the Wall Mount configuration, once you have completed the installation of the monitor brackets, proceed to PAGE 22.

Assembly Instructions for Floating Swivel Mount



Back View



Tighten until lock bolt hits underside of Mounting Frame

MAKE SURE ALL BOLTS ARE TIGHT AND THE SPINE IS AT A 90 DEGREE ANGLE AND VERIFY THE MOUNTING FRAME IS LEVEL, USING A QUALITY LEVEL, PRIOR TO INSTALLATION OF TV.

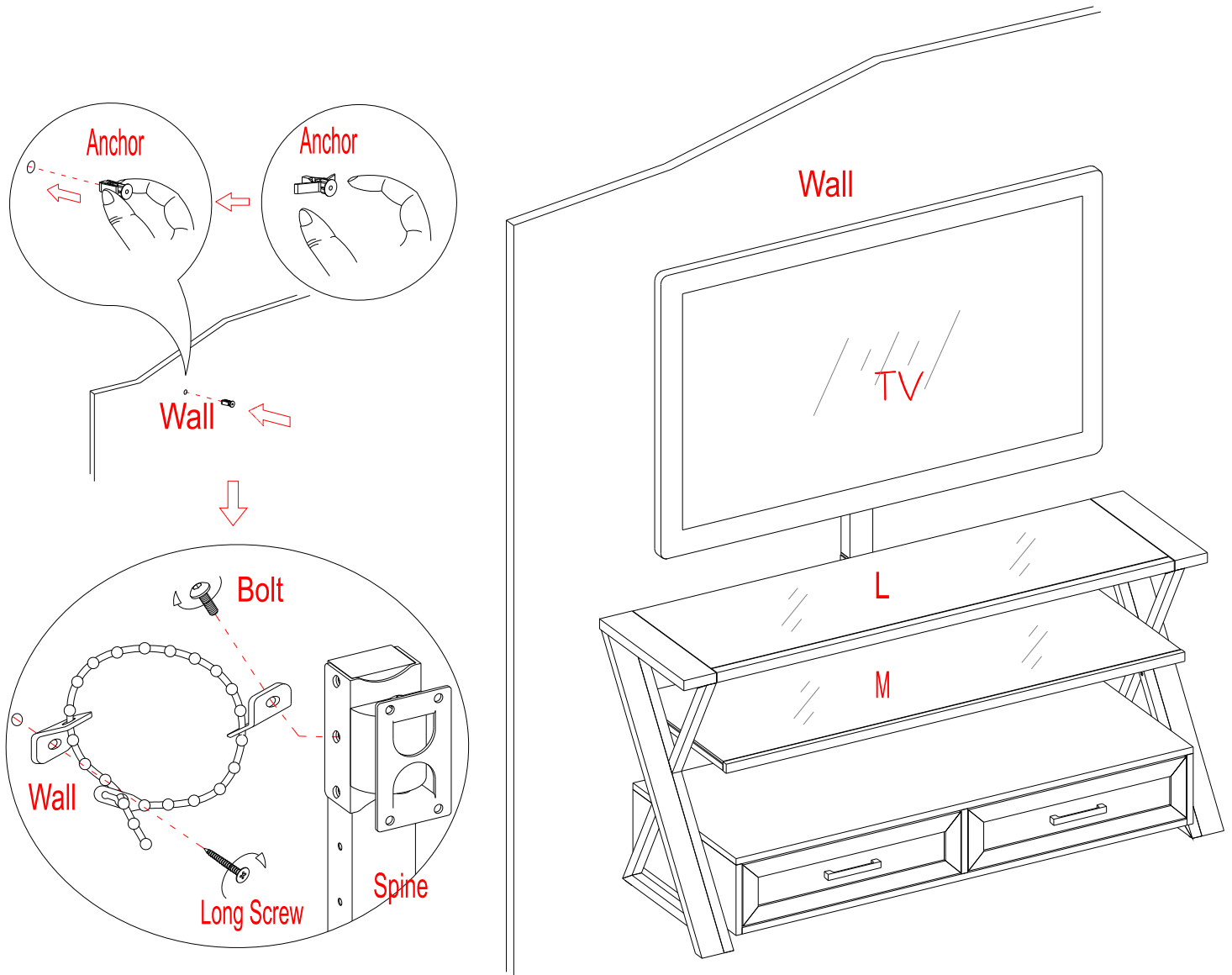
30. Ask for assistance to lift the television up to hang the Monitor Brackets (P) onto the Mounting Frame (O). Set the hooks on the Monitor Brackets over the Mounting Frame and then lower them onto the bars of the Mounting Frame.

NOTE: Loosen the Lock Bolt that is pre-attached on the Monitor Brackets to ensure an easy fit at the bottom hooks.

31. Center the television and tighten both Lock Bolts with a long Phillips screwdriver until they hit the underside of the Mounting Frame (O) to secure it in place.

Please call for replacement parts or assistance: 1-866-942-5362

Assembly Instructions for Floating Swivel Mount



Tools required: Allen Wrench (provided), Phillips screwdriver, Mallet, Power Drill, and 3/8" Drill Bit.

32. Repeat steps 19 through 21 to attach the Cable Wheels (Q) and install the Top Glass (L) and Glass Shelf (M) in place.

33. Carefully move the console and position it at the desired location against a wall. Now, follow the instructions printed on the plastic bag containing Tipping Restraint Hardware Kit to attach the tip-over restraint to the Spine (D) and the wall.

NOTE: You must install the Tipping Restraint Hardware with the unit in use to prevent any accidents or damage to the unit.

34. The console is now ready for use. Swivel the TV left-or-right for optimum viewing control.

Please call for replacement parts or assistance: 1-866-942-5362

Whalen Furniture Mfg., Inc.

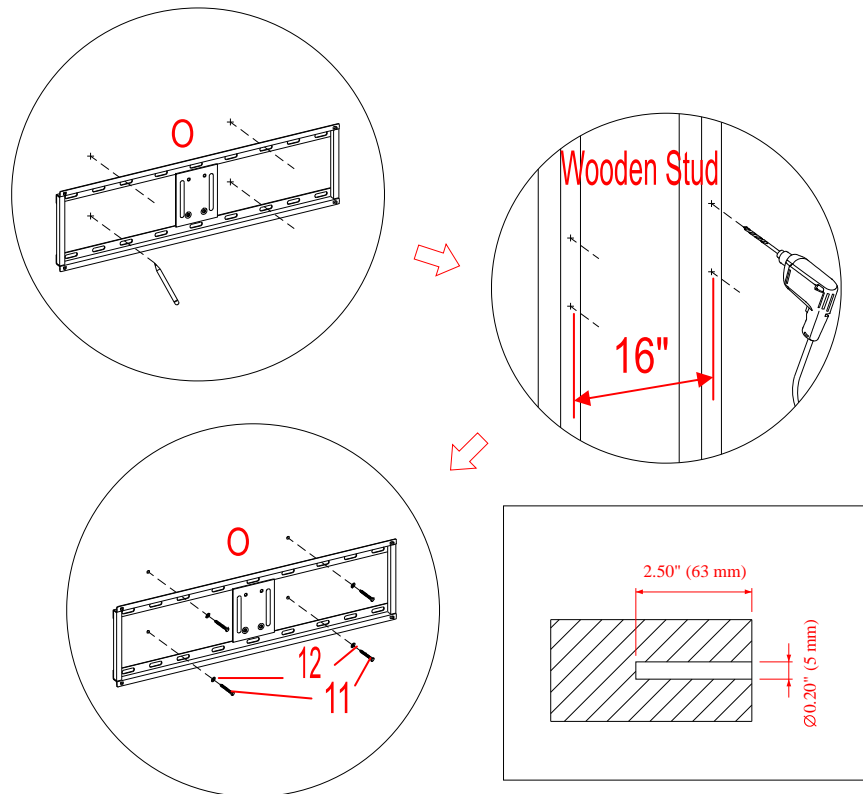
Page 21

Factory No. 33-10944



The following steps are only for those who wish to mount their TV directly to the wall. If you have already mounted your TV to the Swinging Floater or plan to display your TV on the top surface of the Console, disregard the following steps.

Assembly Instructions for Universal Wall Mount Installing the Mounting Frame onto a WOODEN STUD WALL



NOTE: If you are mounting your TV onto brick, solid concrete or concrete block walls, skip this section. This assembly requires an electric drill, level and stud finder (not included).

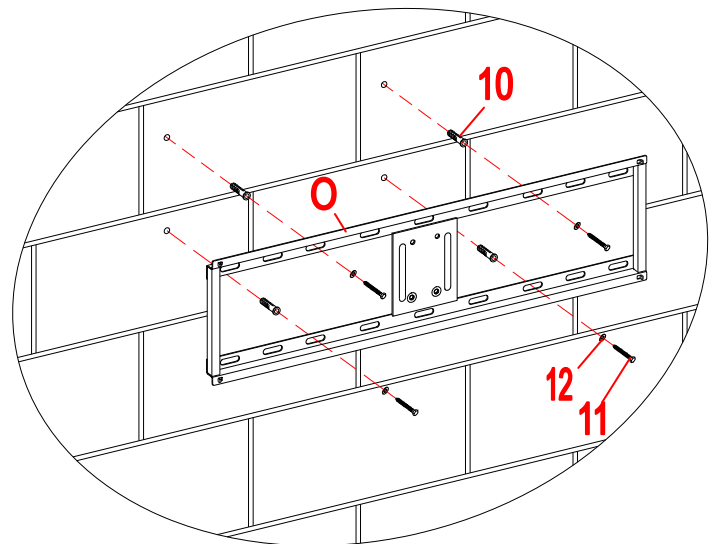
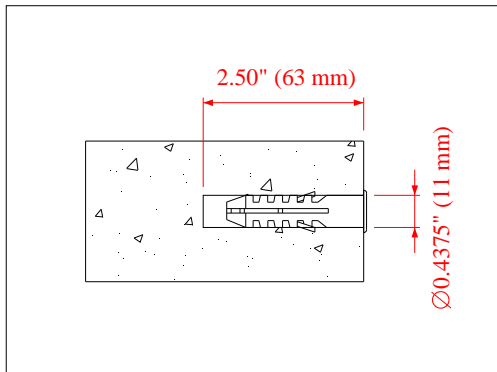
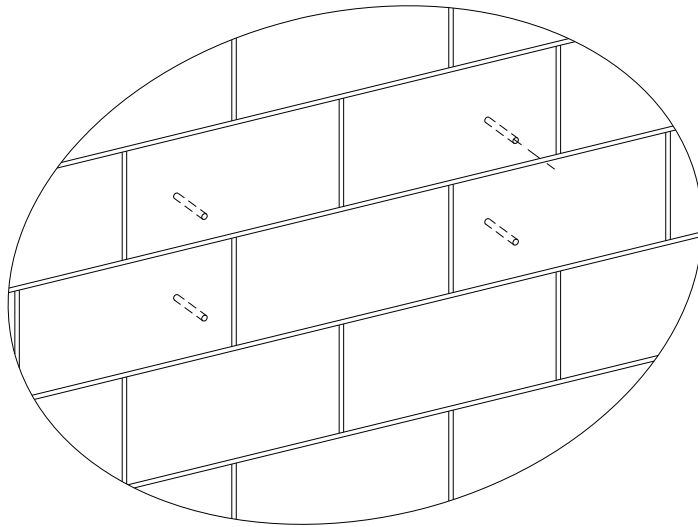
35. Using a stud finder, locate the edges of the wood studs. Find the center line of each stud and draw a vertical reference line on the wall over each one. Place the Mounting Frame (O) level against the wall where you intend to mount the TV. Using the Mounting Frame (O) as a template, mark 4 drill points (2 on top, 2 on bottom) with a pencil on the vertical reference lines you just drew.
36. With an electric drill (not included), drill 3/16 inch diameter holes to at least 2½ inch deep on the 4 drill points. While holding the Bracket Plate in place, loosely screw in the Lag Bolts (11).
37. Secure the Mounting Frame (O) to wall with Lag Bolts (11) and Washers (12) at the drill points. Tighten the Bolts firmly, but be careful not to over-tighten.

⚠ WARNING

Do not over-tighten the Lag Bolts. Tighten the Lag Bolts only until the Lag Bolt Washer is pulled firmly against the metal plate of the Mounting Frame. If there is a layer of drywall or other material, this drywall or other material may not exceed 5/8 inch in thickness. Failure to heed this caution may result property damage and/or personal injury.

Please call for replacement parts or assistance: **1-866-942-5362**

Assembly Instruction for installing the Mounting Frame onto BRICK, SOLID CONCRETE OR CONCRETE BLOCK WALLS



⚠ WARNING Maximum weight 135 lb. (61.2 kg)

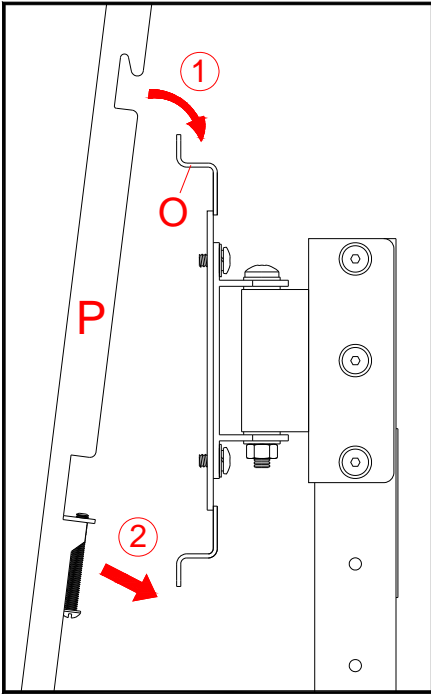
⚠ WARNING Concrete Anchors should only be used for masonry mounting. NEVER use the wall anchors to mount the unit to drywall.

NOTE: If you are mounting your TV to a wall with wooden studs, skip this section. This assembly requires an electric drill and level (not included).

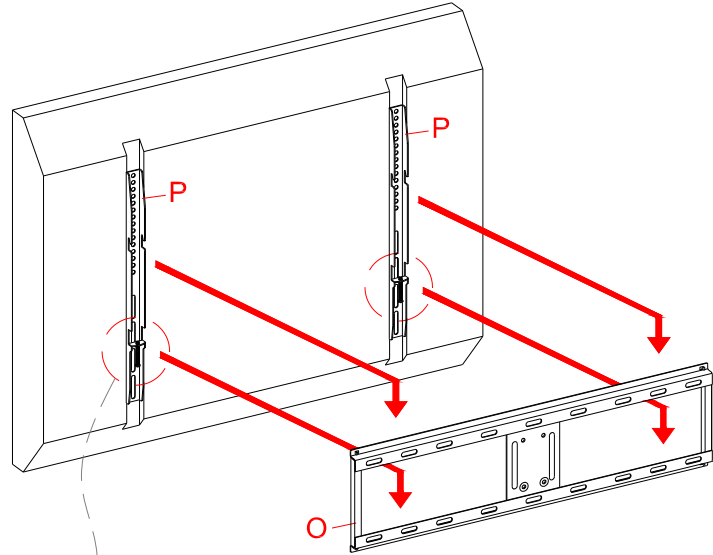
38. Begin by placing the Mounting Frame (O) level against the wall where you intend to mount the TV. Using the Mounting Frame (O) as a template, mark 4 drill points with a pencil.
39. With an electric drill (not included) on its low setting, drill 7/16 inch diameter holes to at least 2½ inch deep. Insert the Concrete Anchors (10) into the pre-drilled holes so that they are flush with the wall.
40. Place the Mounting Frame (O) level in the desired position against the wall. Secure the Mounting Frame (O) to the wall with the Lag Bolts (11) and the Washers (12) at the drill points. Tighten the Bolts firmly, but be careful not to over-tighten.

Please call for replacement parts or assistance: 1-866-942-5362

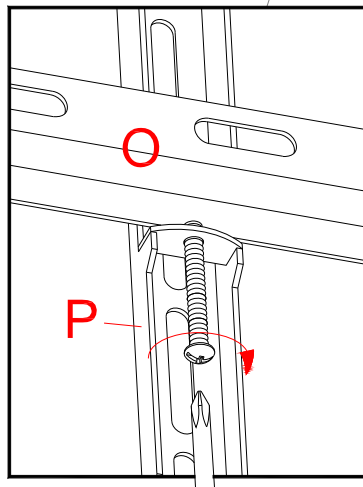
Assembly Instructions



Side View



Back View



Tighten until lock bolt hits the underside of the Mounting Frame

41. Attach the Monitor Brackets (P) to the back of the television following steps 26 & 27, or 28 & 29, depending on the type of TV that you own.
42. Once the Monitor Brackets (P) are attached onto the back of television, ask for assistance to lift the television up to attach the Monitor Brackets onto the Mounting Frame (O). Place the hooks of the Monitor Brackets over the Mounting Frame and then lower them onto the bars of the Mounting Frame. Loosen the Lock Bolts that are pre-attached on the Monitor Brackets to ensure an easy fit at the bottom hooks. Proceed to center the television. When the TV is in its intended position, tighten both lock bolts with a long Phillips screwdriver until they hit underside of the Mounting Frame (O). This will ensure the TV is safely secured to the wall.
43. Place the assembled console under your TV. Finally, connect the A/V and power cables to your TV. You are now ready to enjoy your wall-mounted Flat Panel TV.

Please call for replacement parts or assistance: 1-866-942-5362

Care and Maintenance

- Use a soft, clean cloth that will not scratch the surface when dusting.
- Use of furniture polish is not necessary. Should you choose to use polish, test first in an inconspicuous area.
- Using solvents of any kind on your furniture may damage the finish.
- Never use water to clean your furniture as it may cause damage to the finish.
- Always use coasters under beverage glasses and flowerpots.
- Liquid spills should be removed immediately. Using a soft clean cloth, blot the spill gently. Avoid rubbing.
- Always use protective pads under hot dishes and plates. Heat can cause chemical changes that may create spotting within the furniture finish.
- Stains or marks from crayons or ink markers will be difficult to remove.
- In the event that your furniture is stained or otherwise damaged during use, we recommend that you call a professional to repair your furniture.
- Check bolts/screws periodically and tighten them if necessary.

Further advice about furniture care

It is best to keep your furniture in a climate-controlled environment. Extreme temperature and humidity changes can cause fading, warping, shrinking and splitting of wood. It is advised to keep furniture away from direct sunlight as sun may damage the finish.

Proper care and cleaning at home will extend the life of your purchase. Follow these important and helpful tips that will enhance your furniture as it ages.

A Touch-up Pen has been provided to repair any small nicks or scratches that may occur during assembly or shipping.

We hope you enjoy your purchase for many years.
Thank you for choosing Whalen Furniture!

QUALITY GUARANTEE

We are confident that you will be delighted with your Whalen Furniture purchase.

Should this product be defective in workmanship or materials or fail under normal use, we will repair or replace it for up to one (1) year from the date of purchase. Every Whalen Furniture product is designed to meet your highest expectations. We guarantee that you will immediately see the value of our fine furniture.

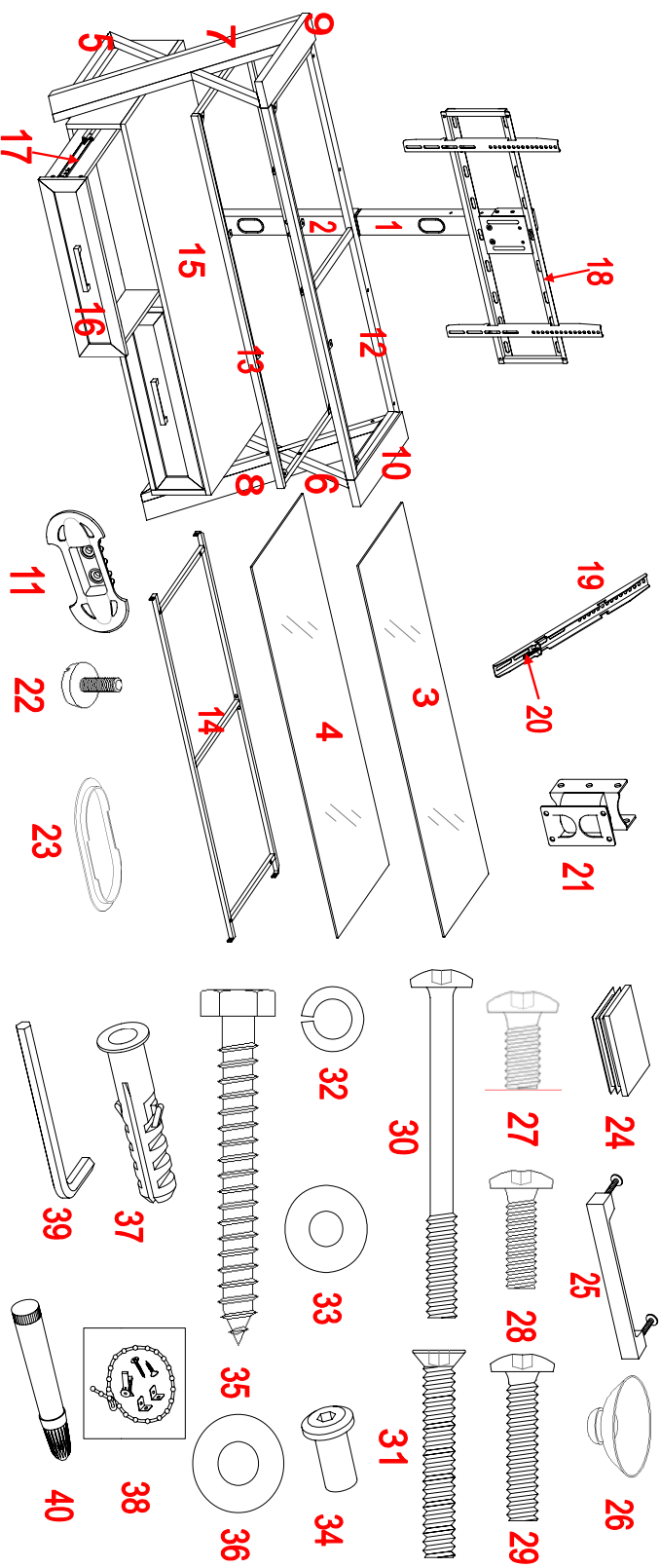
This warranty gives you specific legal rights and you may also have other rights which vary from State to State (province to province).

Customer Service: 1-866-942-5362
8:30 a.m. - 4:30 p.m., PST, Monday to Friday
www.whalenfurniture.com

Please call for replacement parts or assistance: 1-866-942-5362

IF YOU NEED TO ORDER ANY REPLACEMENT PARTS, PLEASE USE THE LIST BELOW

3-N-1™ TV Console with Drawer (XLDEC54-NV)



- | | | | |
|---------------------|-------------------------------|------------------------|-------------------------------|
| *XLDEC54-NV-1-US | Upper Spine | *XLDEC54-NV-22-FL | Floor Leveler |
| *XLDEC54-NV-2-LS | Lower Spine | *XLDEC54-NV-23-OPG | Oval Plastic Grommet |
| *XLDEC54-NV-3-TG | Top Glass | *XLDEC54-NV-24-SEC | Spine End Cap (40 x 60 mm) |
| *XLDEC54-NV-4-GS | Glass Shelf | *XLDEC54-NV-25-HB | Handle and Bolts |
| *XLDEC54-NV-5-LML | Left Metal Leg | *XLDEC54-NV-26-SC | Suction Cup |
| *XLDEC54-NV-6-RML | Right Metal Leg | *XLDEC54-NV-27-1/2B | 1/2" Bolt |
| *XLDEC54-NV-7-LWL | Left Wood Leg | *XLDEC54-NV-28-3/4B | 3/4" Bolt |
| *XLDEC54-NV-8-RWL | Right Wood Leg | *XLDEC54-NV-29-1 1/8B | 1-1/8" Bolt |
| *XLDEC54-NV-9-LLTR | Left Leg Top Rail | *XLDEC54-NV-30-2 1/2B | 2-1/2" Bolt |
| *XLDEC54-NV-10-RLTR | Right Leg Top Rail | *XLDEC54-NV-31-1 1/2B | 1-1/2" Bolt |
| *XLDEC54-NV-11-CW | Cable Wheel | *XLDEC54-NV-32-LW | Lock Washer |
| *XLDEC54-NV-12-TSF | Top Shelf Frame | *XLDEC54-NV-33-FW | Flat Washer |
| *XLDEC54-NV-13-MSF | Middle Shelf Frame | *XLDEC54-NV-34-FN | Flange Nut |
| *XLDEC54-NV-14-BSF | Bottom Shelf Frame | *XLDEC54-NV-35-2 1/2LB | 2-1/2" Lag Bolt |
| *XLDEC54-NV-15-DB | Drawer Box | *XLDEC54-NV-36-LFW | Large Flat Washer |
| *XLDEC54-NV-16-UD | Utility Drawer | *XLDEC54-NV-37-CA | Concrete Anchor |
| *XLDEC54-NV-17-DS | Drawer Slides (36 mm x 12" L) | *XLDEC54-NV-38-TRHK | Tiping Restraint Hardware Kit |
| *XLDEC54-NV-18-MF | Mounting Frame | *XLDEC54-NV-39-M4AW | M4 Allen Wrench |
| *XLDEC54-NV-19-MB | Monitor Bracket | *XLDEC54-NV-40-TUP | Touch-up Pen |
| *XLDEC54-NV-20-LB | Lock Bolt | *XLDEC54-NV-TVMK | TV Mounting Kit |