



Spare Parts List

(1.007-056.0, 1.007-057.0)

Compass 2

From Serial Number (Ref No. 1*)

* See Serial Number page or
call manufacturer.

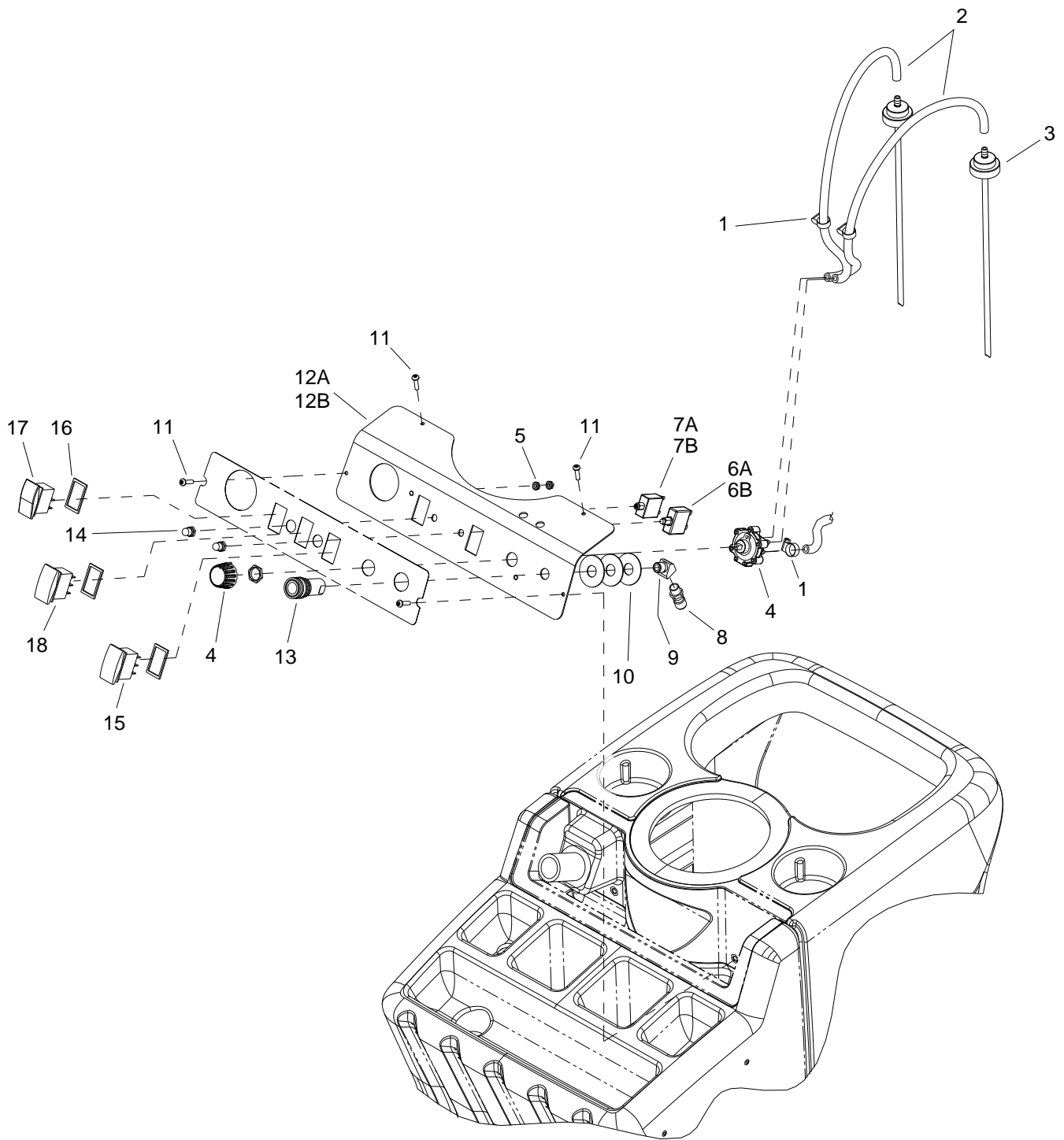
How to Use this Spare Parts List

The PARTS LIST section contains assembled parts illustrations and corresponding parts list. The parts lists include a number of columns of information:

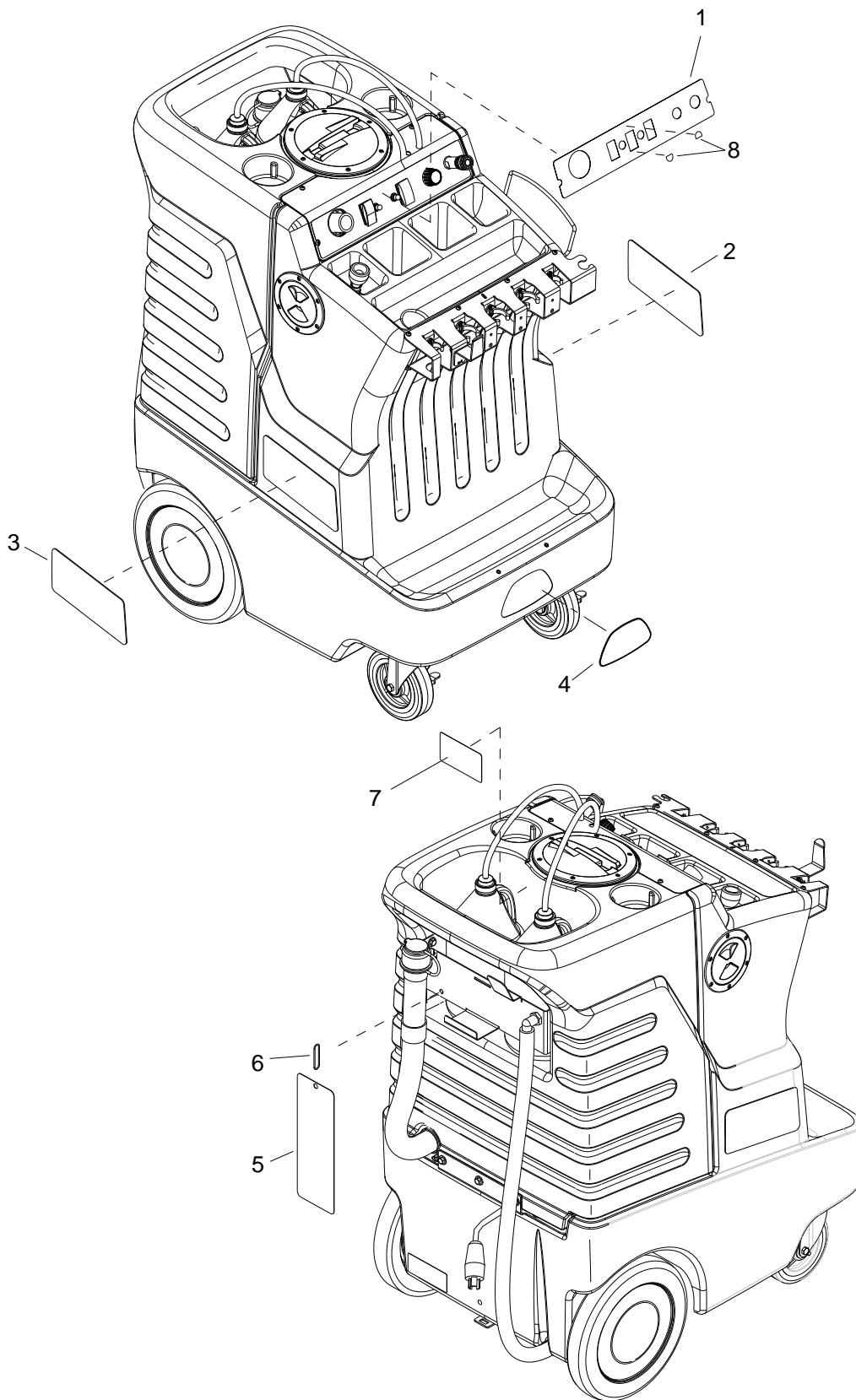
- REF - column refers to the reference number on the parts illustration.
- PART NO. - column lists the part number for the part.
- QTY - column lists the quantity of the part used in that area of the machine.
- DESCRIPTION - column is a brief description of the part.
- SERIAL NO. FROM - If this column has an (*) and a Reference number, see the SERIAL NUMBERS page in the back of your manual. If column has two asterisk (**), call manufacturer for serial number. The serial number indicates the first machine the part number is applicable to. The main illustration shows the most current design of the machine. When a boxed illustration is shown, it displays the older design.
- NOTES - column for information not noted by the other columns.

NOTE: *If a service or option kit is installed on your machine, be sure to keep the KIT INSTRUCTIONS which came with the kit. It contains replacement parts numbers needed for ordering future parts.*

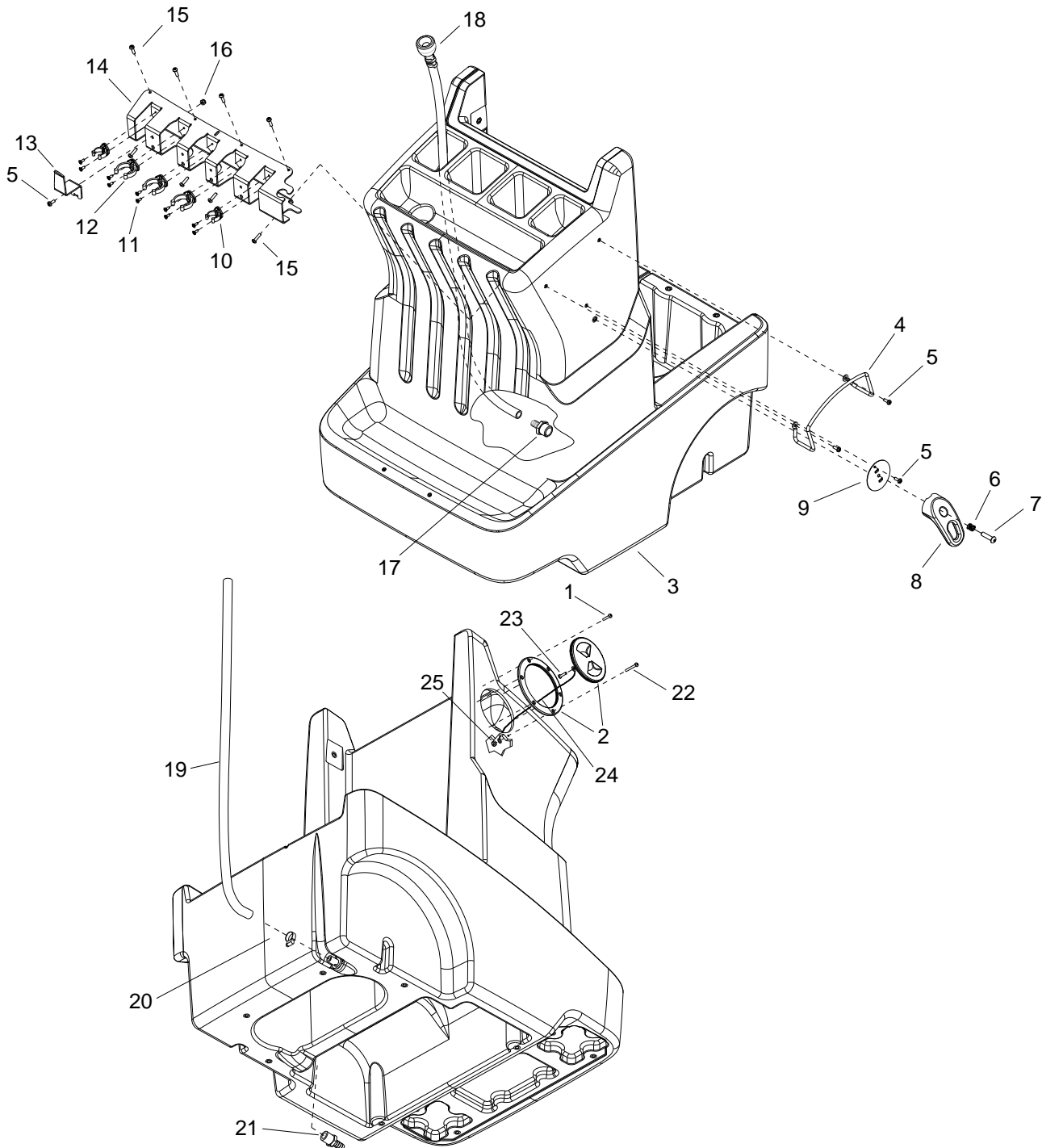
How to Use this Spare Parts List	2
Table of Contents	3
Control Panel	4
Decals	6
Solution Tank	8
Solution-Injector Assembly	10
Solution Pump 1	12
Solution-Pump 2	14
Recovery Tank	16
Vacuum	18
Wheels & Frame	20
Tools-Standard	22
Wiring-Diagram-120V	24
Wiring-Diagram-230V	26
Vacuum Hose Rack-Option	28
Tools-Grout Cleaner-Option	30
Tools-High Pressure Wand-Option	32
Tools-Carpet Tool-Option	34
Chemical Lock-Option	36
Serial Number	38
Notes	39



REF	PART NO.	QTY	DESCRIPTION	SERIAL NO. FROM	NOTES:
1	86233090	3	CLAMP, 1/4 ID HOSE		
2	86282280	2	HOSE, 1/4 ID NYLOCBRAID X 23"		
3	86402500	2	CAP CHEM FEED W/DIP TUBE, YLW		
4	86258930	1	VALVE, CHEMICAL METERING		
5	86005700	2	NUT, 10-32 W/STAR WASHER PLTD		
6A	86001940	1	BREAKER, 10A CIRUIT		120V
6B	86230110	1	BREAKER, 7A CIRCUIT		230V
7A	86215670	1	BREAKER, 8A VDE CIRCUIT		120V
7B	86230200	1	BREAKER, 5A VDE CIRCUIT		230V
8	86302400	1	QD, NIPPLE, FOSTER 25 MPB		
9	86197390	1	ELBOW, 1/4 NPT 45D STREET		
10	86279560	3	WASHER, 5/8 ID X 1.70 D 0.05T		
11	86276290	4	SCR, #10 X 3/4 PPHST HI-LO BLK		
12A	86297370	1	PANEL, SWITCH CONTROL		120V
12B	86302150	1	PANEL, 3 SWITCH CONTROL		230V
13	86002450	1	COUPLER, 1/4 QD		
14	86002010	2	BOOT, 3/8 CIRCUIT BREAKER		
15	86007200	1	SWITCH, DPDT3-POSITION ROCKER		
16	86238030	2	GASKET, SWITCH CARLING		
17	86007140	1	SWITCH, SPST 2-POSITION ROCKER		
18	86310280	1	SWITCH, DPST 2 POSITION ROCKER		230V ONLY

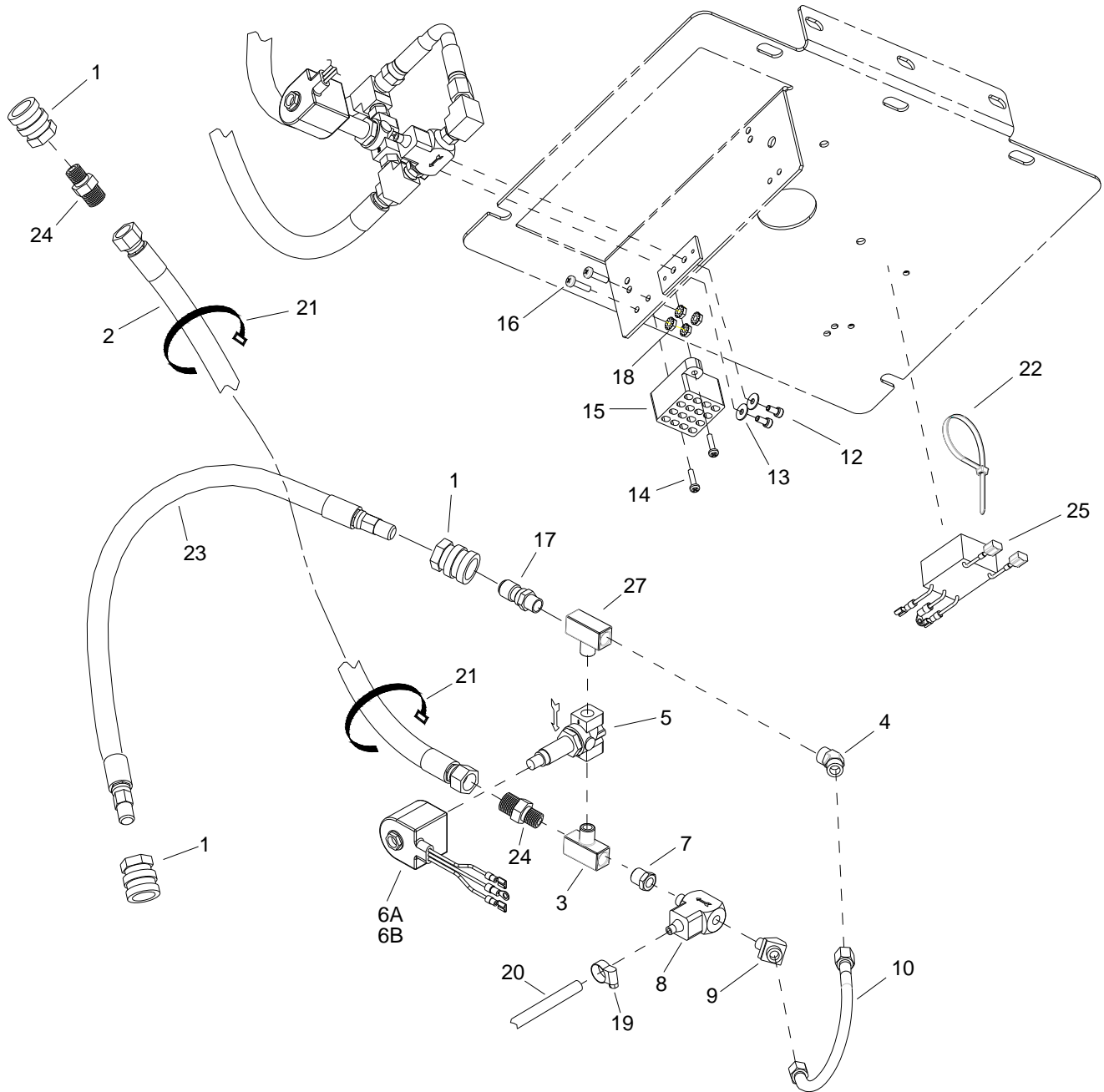


REF	PART NO.	QTY	DESCRIPTION	SERIAL NO. FROM	NOTES:
1	86396600	1	LABEL, WINDSOR COMPASS, CONTROL		
2	86396610	1	LABEL, LEFT, COMPASS2		
3	86396620	1	LABEL, RIGHT, COMPASS2		
4	86395400	1	LABEL, WINDSOR LOGO DOMED		
5	86305190	1	INSTRUCTION CARD, CMPS2		
6	86002870	1	CORD, 1/8" X 12"		
7	86242230	1	LABEL, WARNING EXPLOSION HAZ'D		
8	86396630	1	LABEL, COMPASS, 230V, ON/OFF		

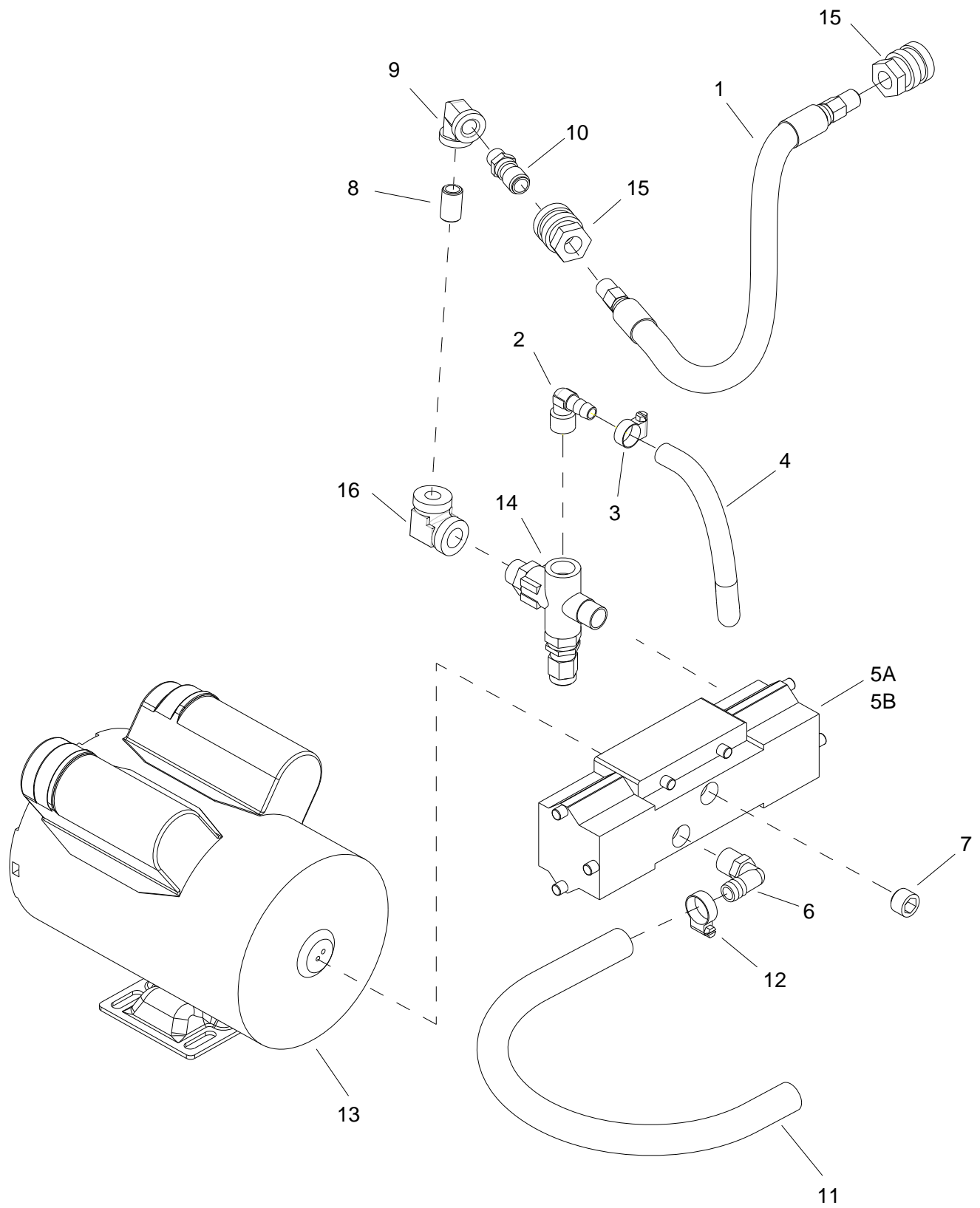


REF	PART NO.	QTY	DESCRIPTION	SERIAL NO. FROM	NOTES:
1	86275800	5	SCR, 8 X 3/4 PFHT/S BLK ZINC		
2	86334470	1	DECK PLATE ASM, 4" BLK		
3	86333450	1	TANK, SOL, CMPS2		
4	86239680	1	HOOK, HOSE STORAGE		
5	86006950	4	SCR, 10-32 X 1/2 PPHMS BLK NP		
6	86224730	1	SPRING, COMP, 12MM OD X 12.7MM		
7	86276650	1	SCR, 5/16-18 X 1.5 BSHCS SS		
8	86335610	1	HOOK, UPPER, CORD		
9	86301030	1	PLATE, DETENT, CORD HOOK		
10	86302130	2	CLIP, C 5/8, PLASTIC		
11	86302090	10	SCR, 8-32 X 7/16 PFHTC "F" BLK		
12	86002990	3	CLIP, 1 1/2" PLASTIC		
13	86301990	1	HOSE HOOK, HLDER, TOOL		
14	86301980	1	HOLDER, TOOL		
15	86276290	8	SCR, #10 X 3/4 PPHST HI-LO BLK		
16	86271680	1	NUT, 10-32 HEX NYLOCK BLK		
17	86197920	1	HOSEBARB, 1/2MPT X 3/8 NYL DL		
18	86260690	1	HOSE ASM, FCT ADPTR X 60" NBRD		
19	86302590	1	HOSE, CLEAR, 3/4 ID X 30"		
20	86233300	1	CLAMP, 1.25" WORM GEAR SS		
21	86197910	1	HOSEBARB, 1/2MPT X 1/2 POLY DL		
22	86339990	1	SCR, 8-32 X 1.0, FHMS, PHLPS, SS, BLK		
23	86277560	1	SCR,#6X1/2 SHT MTL SS		
24	86232790	1	CHAIN, ASM, #10SS BD X 8"		
25	86272020	1	NUT, 8-32 HEX THIN NYLOCK SS		
-	86300320	1	TANK, SOL CMPS 2		INCLUDES ITEMS 1, 26

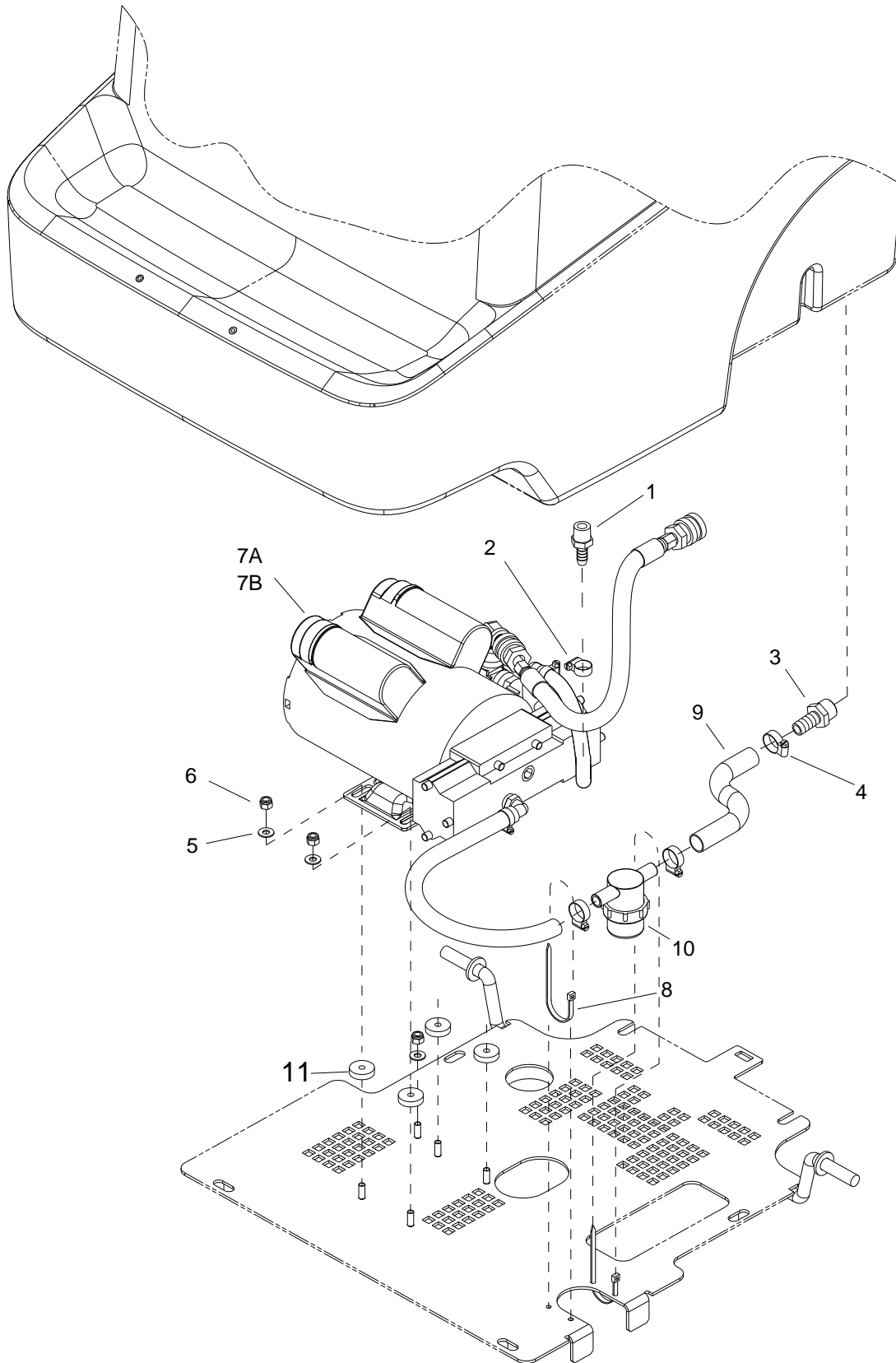
Solution-Injector Assembly



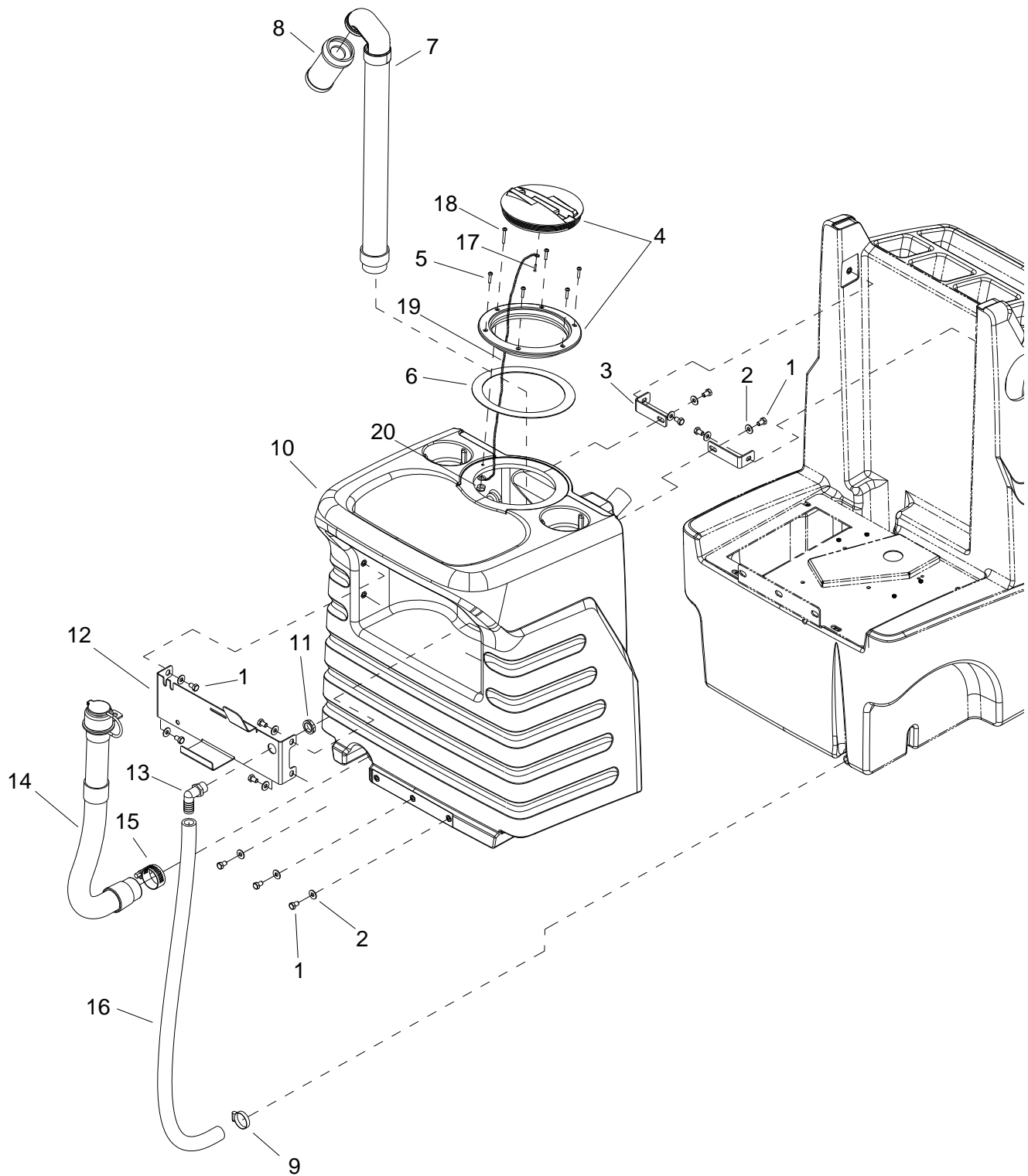
REF	PART NO.	QTY	DESCRIPTION	SERIAL NO. FROM	NOTES:
1	86302410	3	QD, COUPLER, FOSTER 25FS		
2	86302570	1	HOSE, PULSE, 3/8F X 3/8F X 45"		
3	86197730	2	TEE, 1/4 BRANCH		
4	86180460	1	ELL, 1/4PX1/4T 45DEG BR		
5	86303760	1	VALVE, SOLENOID, 1/4F 700PSI		
6A	86303850	1	COIL, 115V, SOLENOID		
6B	86308530	1	COIL, 230V, SOLENOID, CMPS2		
7	86197300	1	BUSHING, 1/8 FPT X 1/4 MPT HEX		
8	86303770	1	INJECTOR KIT, DEMA, 200-3C		
9	86180420	1	ELL, 1/8P X 1/4T 45 DEG.		
10	86327120	1	HOSE, 3/16 X 8 (1/4FT BS) MET		
11	86197370	1	ELBOW, 1/4FPT X 1/4FPT		
12	86006630	2	SCR, 10-24 X 1/2 HHMS SS		
13	86010650	2	WASHER, #10 X 9/16 OD		
14	86006490	2	SCR, 8-32 X 3/4 PPHMS		
15	86305200	1	TERMINAL BLOCK, 115/230V		
16	86273980	2	SCR, 10-32 X 3/4 PPHMS		
17	86302400	1	QD, NIPPLE, FOSTER 25MPB		
18	86005700	4	NUT, 10-32 W/STAR WASHER PLTD		
19	86233090	1	CLAMP, 1/4 ID HOSE		
20	86295830	1	HOSE, 1/4ID NYLOBRAID X 41"		
21	86264940	6	CABLE TIE, 11.38" UL/CSA		
22	86264940	1	CABLE TIE, 11.38" UL/CSA		
23	86302790	1	HOSE, PULSE, 1/4 MPLT X 1/4 MPLT X 30"		
24	86188130	2	NIPPLE, 3/8M X 1/4M		
25	86308560	1	ASM, FILTER MAIN		230V ONLY



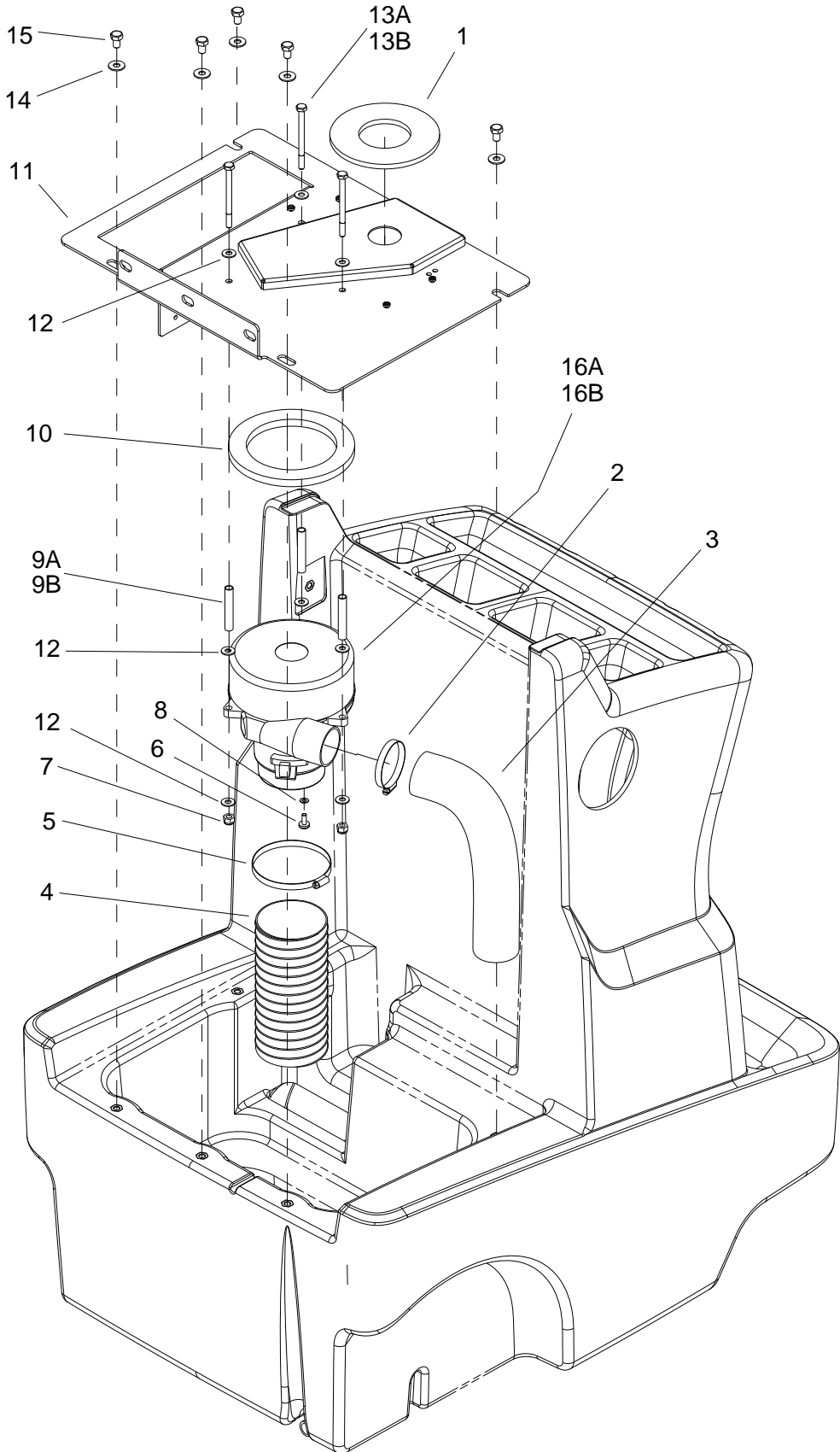
REF	PART NO.	QTY	DESCRIPTION	SERIAL NO. FROM	NOTES:
1	86302790	1	HOSE, PULSE, 1/4MSWL X 3/8NPT X 30"		
2	86197610	1	HOSEBARB, 3/8MPTX3/8 90D DL		
3	86233090	1	CLAMP, 1/4 ID HOSE		
4	86302780	1	HOSE, BRAIDED, 3/8ID X 16" L		
5A	86302820	1	PUMP, PUMPTEC, 700PSI		
5B	86308100	1	PUMP, PUMPTEC, 700PSI, 230V		
6	86317550	1	HOSEBARB, 3/8 MPT X 1/2 90 BR		
7	86190520	4	PLUG, 3/8 SOCHD BR		
8	86005590	1	NIPPLE, 1/4 CLOSE		
9	86197370	1	ELBOW, 1/4FPT X 1/4FPT		
10	86302400	1	QD, NIPPLE, FOSTER 25MPB		
11	86240280	1	HOSE, 1/2ID WIRE BOUND X 8"		
12	86233150	1	CLAMP, 3/8 HOSE (D-SLOT)		
13	86302720	1	MOTOR, 700PSI, 115/230 VOLT		
14	86302730	1	UNLOADER, 800PSI, PUMPTEC		
15	86302410	2	QD, COUPLER, FOSTER 25FS		
16	86197380	1	ELBOW, 3/8FPT X 1/4FPT		



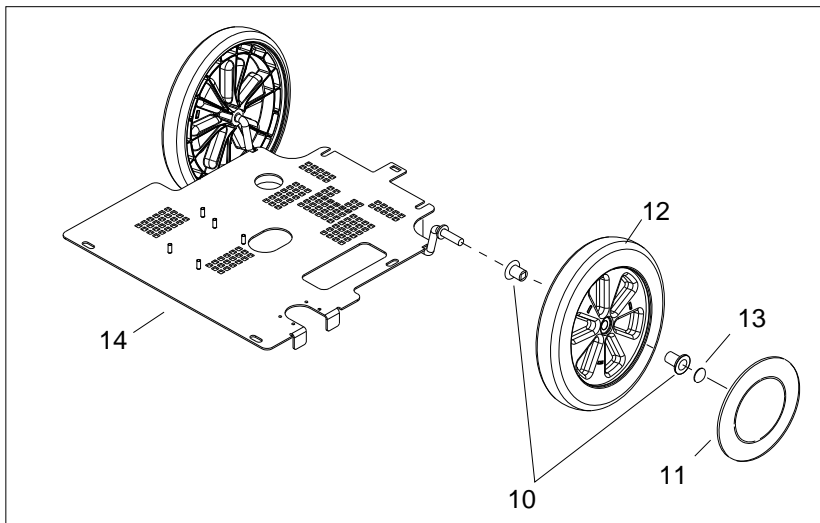
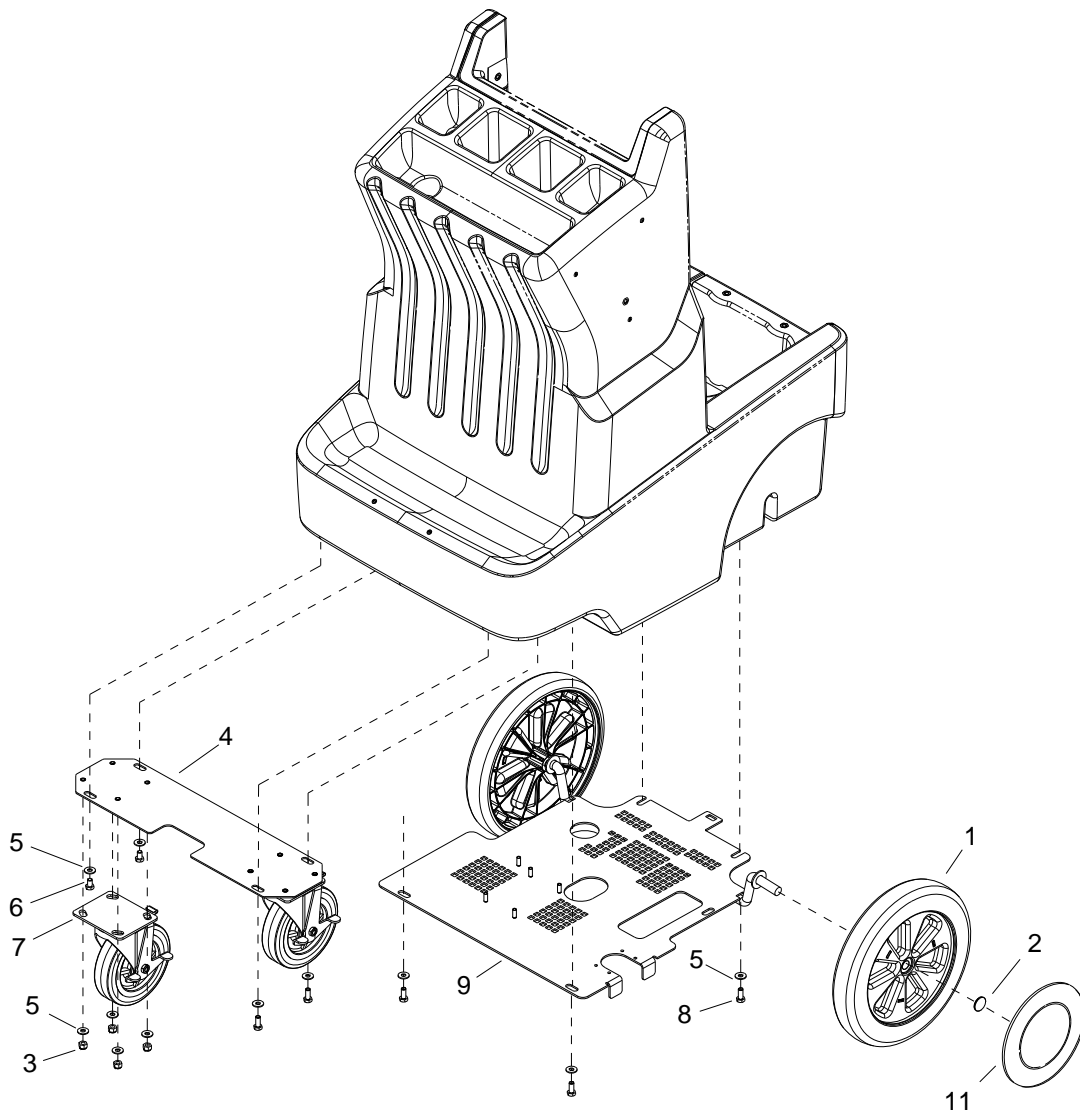
REF	PART NO.	QTY	DESCRIPTION	SERIAL NO. FROM	NOTES:
1	86240430	1	HOSEBARB, 3/8 MPT X 3/8 NYLON		
2	86233090	1	CLAMP, 1/4 ID HOSE		
3	86197910	1	HOSEBARB, 1/2MPT X 1/2 POLY DL		
4	86233150	3	CLAMP, 3/8 HOSE (D-SLOT)		
5	86010630	5	WASHER, 1/4 ID X 5/8 OD SS		
6	86005810	5	NUT, 1/4-20 HEX NYLOCK SS		
7A	86302430	1	PUMP ASM, 700 PSI 115V		COMPLETE
7B	86307960	1	PUMP ASM, 700 230V CMPS2		COMPLETE
8	86264940	2	CABLE TIE, 11.38" UL/CSA		
9	86302770	1	HOSE, 1/2 ID WIRE BOUND X 14" L		
10	86340870	1	STRAINER 1/2" HOSE 80 MESH		
11	86423350	4	WASHER, 1/4" X 1" X 1/4", FLT NPRN BLK		



REF	PART NO.	QTY	DESCRIPTION	SERIAL NO. FROM	NOTES:
1	86277040	11	SCR, 5/16-18 X 1/2 HHCS SS NP		
2	86010670	11	WASHER, 5/16 FLAT SS		
3	86070510	1	BRKT, TANK MOUNT		
4	86334490	1	DECK PLATE ASM, 6" YLW		
5	86275800	6	SCR, 8 X 3/4 PFHT/S BLK ZINC		
6	86004000	1	GASKET, TANK LID		
7	86033250	1	PIPE ASM, VACUUM STACK		
8	86199840	1	FLOAT SCREEN CAGE ASSY (SLIP)		
9	86233110	1	CLAMP, 1.0" WORM GEAR		
10	86300350	1	TANK, REC DK GRY 2		
11	86271850	1	NUT, 1/2 NPT PLASTIC		
12	86296560	1	BRACKET, UTILITY MOUNT, 2.0		
13	86240790	1	HOSEBARB, 1/2 MPT X 3/4 90D		
14	86334700	1	DRAIN HOSE		
15	86177050	1	CLAMP, HOSE #20		
16	86302590	1	HOSE, CLEAR, 3/4ID X 34"		
17	86277560	1	SCR, #6 X 1/2 SHT MTL SS		
18	86339990	1	SCR, 8-32 X 1.0, FHMS, PHLPS, SS, BLK		
19	86232790	1	CHAIN, ASM, #10SS BD X 8"		
20	86272020	1	NUT, 8-32 HEX THIN NYLOCK SS		

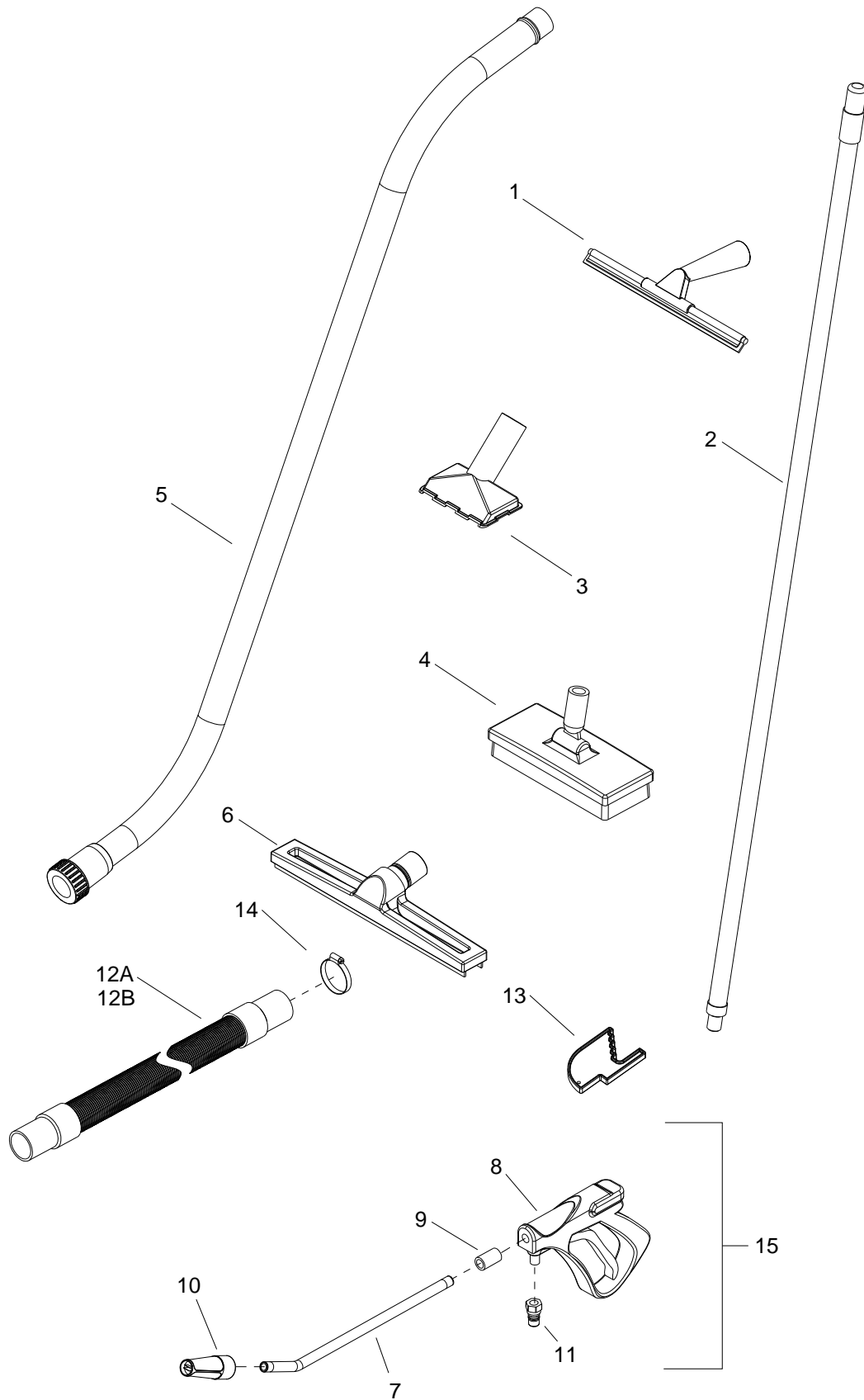


REF	PART NO.	QTY	DESCRIPTION	SERIAL NO. FROM	NOTES:
1	86237870	1	GASKET, 5.0 OD X 2.38 ID X .25T		
2	86002380	1	CLAMP, 2.25" WORM GEAR		
3	86281180	1	HOSE, 2.0 VAC EXHAUST X 17"		
4	86240240	1	HOSE, 3.15 ID X 7.0L VENT		
5	86233260	1	CLAMP, 3.5" WORM GEAR		
6	86274370	1	SCR, 10-24 X 1/2 HHTC TYPE 23		
7	86005810	3	NUT, 1/4-20 HEX NYLOCK SS		
8	86010640	1	WASHER, #10 LOCK EXT STAR SS		
9A	86201970	3	VAC SPACER 2 1/4 (2 STAGE)		115V
9B	86201950	3	VAC SPACER 3 1/8		230V
10	86003760	1	GASKET, VAC MTR		
11	86296140	1	COVER, VAC MOTOR		
12	86010630	9	WASHER, 1/4 ID X 5/8 OD SS		
13A	86007010	3	SCR, 1/4-20 X 3 1/4 HHCS PLT		115V
13B	86276720	3	SCR, 1/4-20 X 4.25 HHCS PLTD		230V
14	86010670	5	WASHER, 5/16 FLAT SS		
15	86277040	5	SCR, 5/16-18 X 1/2 HHCS SS NP		
16A	86303840	1	VAC MTR, 120V 5.7 2 ST TD		115V
-	86135320	-	BRUSH SET, 120V VAC WINDSOR		115V
16B	86202080	1	VACUUM 116859-13 220V SM 3 STG		230V
-	86135330	-	BRUSH SET, 230V VAC MTR		230V



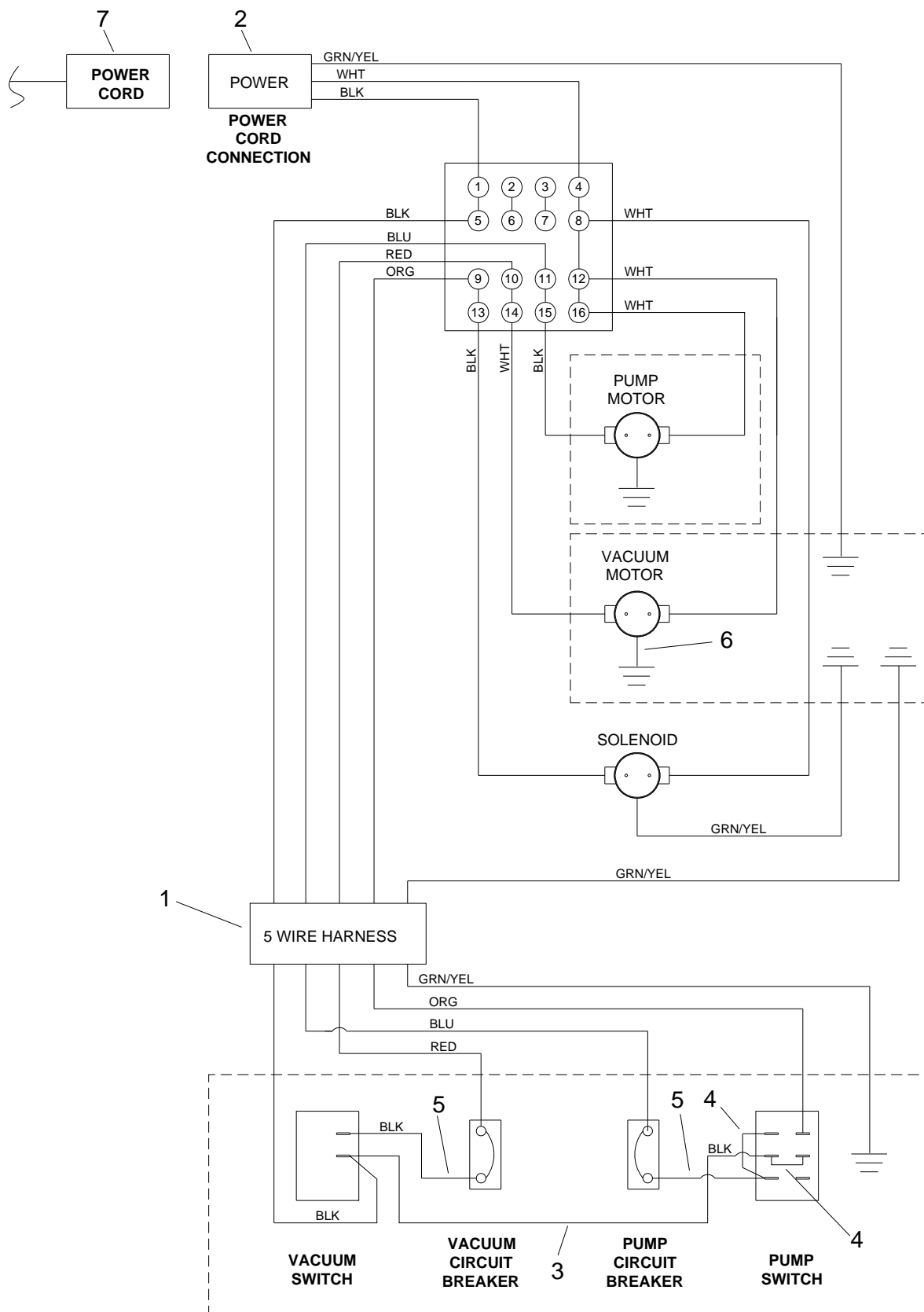
REF	PART NO.	QTY	DESCRIPTION	SERIAL NO. FROM	NOTES:
1	86309790	2	WHEEL, 12" X 2.25"	(2*)	
2	86001660	2	HUBCAP, 5/8" SHAFT	(2*)	
3	86270830	8	NUT, 5/16-18 HEX NYLOCK SS		
4	86078800	1	PLATE MOUNT CASTER		
5	86010670	16	WASHER, 5/16 FLAT SS		
6	86276780	4	SCR, 5/16-18 X 3/4 HHCS SS		
7	86232620	2	CASTER, 6" DIA X 4.63 SWIVEL		
8	86277040	4	SCR, 5/16-18X1/2 HHCS SS NP		
9	86413130	1	FRAME, PUMP/WHEEL MNT, CMPS2	(2*)	
10	86323860	4	BUSHING FLANGED .501D X .630D		
11	86300070	2	HUBCAP 9.75" WHEEL, BLACK		
12	86323840	2	WHEEL, 12"		
13	86271380	2	NUT, 1/2 PUSH-IN DOME CAP		
14	86296130	1	FRAME, PUMP/WHEEL MNT		

* SEE SERIAL NUMBER PAGE



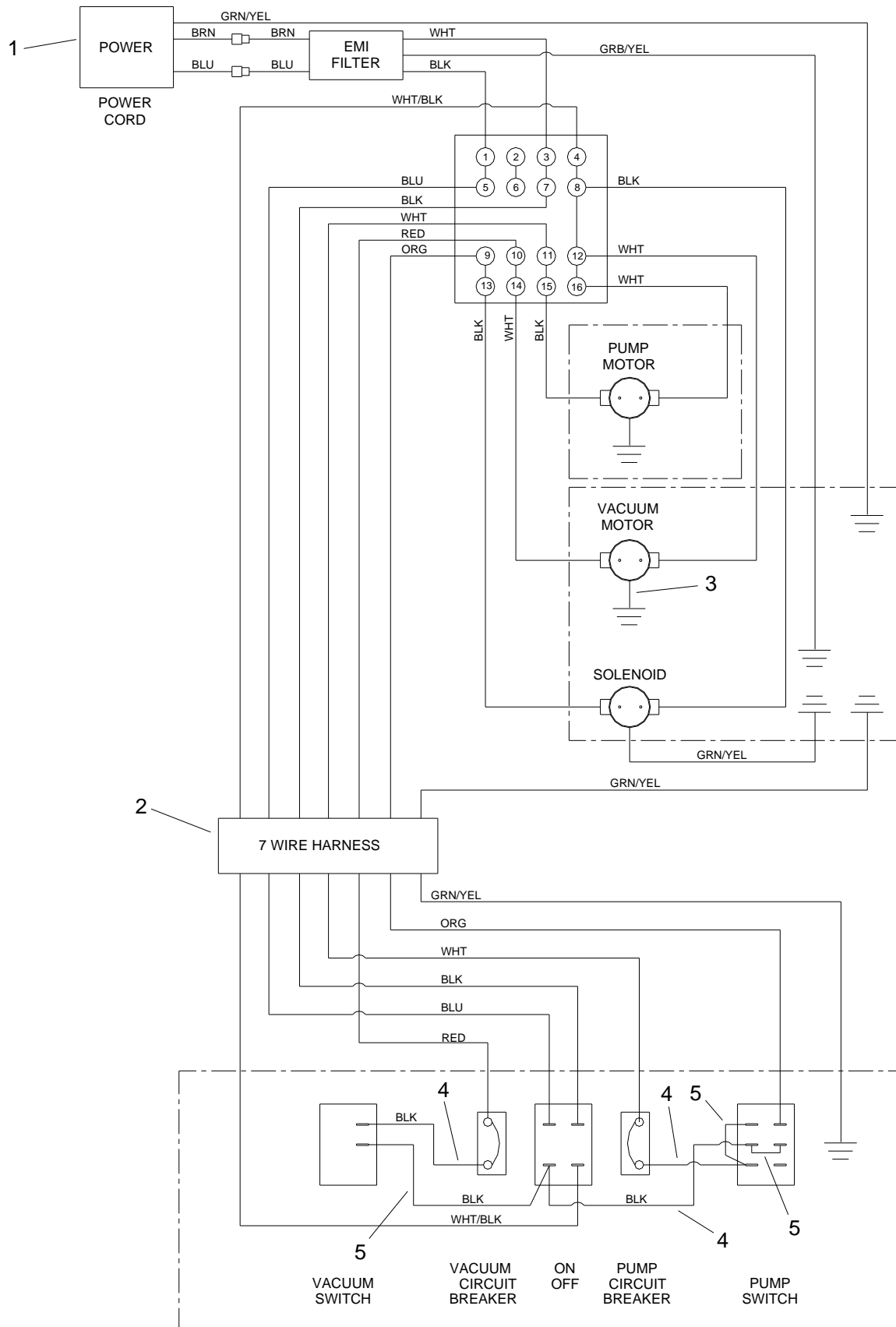
REF	PART NO.	QTY	DESCRIPTION	SERIAL NO. FROM	NOTES:
1	86257660	1	TOOL, HAND SQUEEGEE		
2	86257650	1	TOOL, SCRUB BRUSH HANDLE		
3	86257640	1	TOOL, GULPER		
4	86257670	1	TOOL, TILE BRUSH		
5	86257680	1	TOOL, ALUMINUM WAND		
6	86257620	1	TOOL, WHEELED SQUEEGEE		
7	86301890	1	LANCE, TUBE, 1/4", 14" LONG		
8	86290390	1	GUN, PRESSURE WASH PMPTC		
9	86301910	1	BUSHING, SPRAY GUN		
10	86301920	1	NOZZLE, ADJUSTABLE, 027 JET		
11	86005580	1	NIPPLE, 1/4 FPT QD		
12A	86240180	1	HOSE ASM, 1.5 X 30 FT		
12B	86240250	1	HOSE ASM, 1.5 BLK VAC X 30'		
13	86257690	1	TOOL, DOOR WEDGE		
14	86002400	1	CLAMP, 2.9" WORM GEAR X .312W		
15	86301880	1	SPRAY GUN		COMPLETE
-	86200350	1	HOSE ASM, 1/4HP SLTN 25 FT		NOT SHOWN
-	86202160	1	STRAP, VELCRO		NOT SHOWN
-	86234200	1	CORD SET, 14/3 X 50 FT GFCI YLW		NOT SHOWN
-	86241930	-	KIT, SQUEEGEE TOOL BLADES		
-	86290410	-	NOZZLE REPLACEMENT JET		

Wiring-Diagram-120V



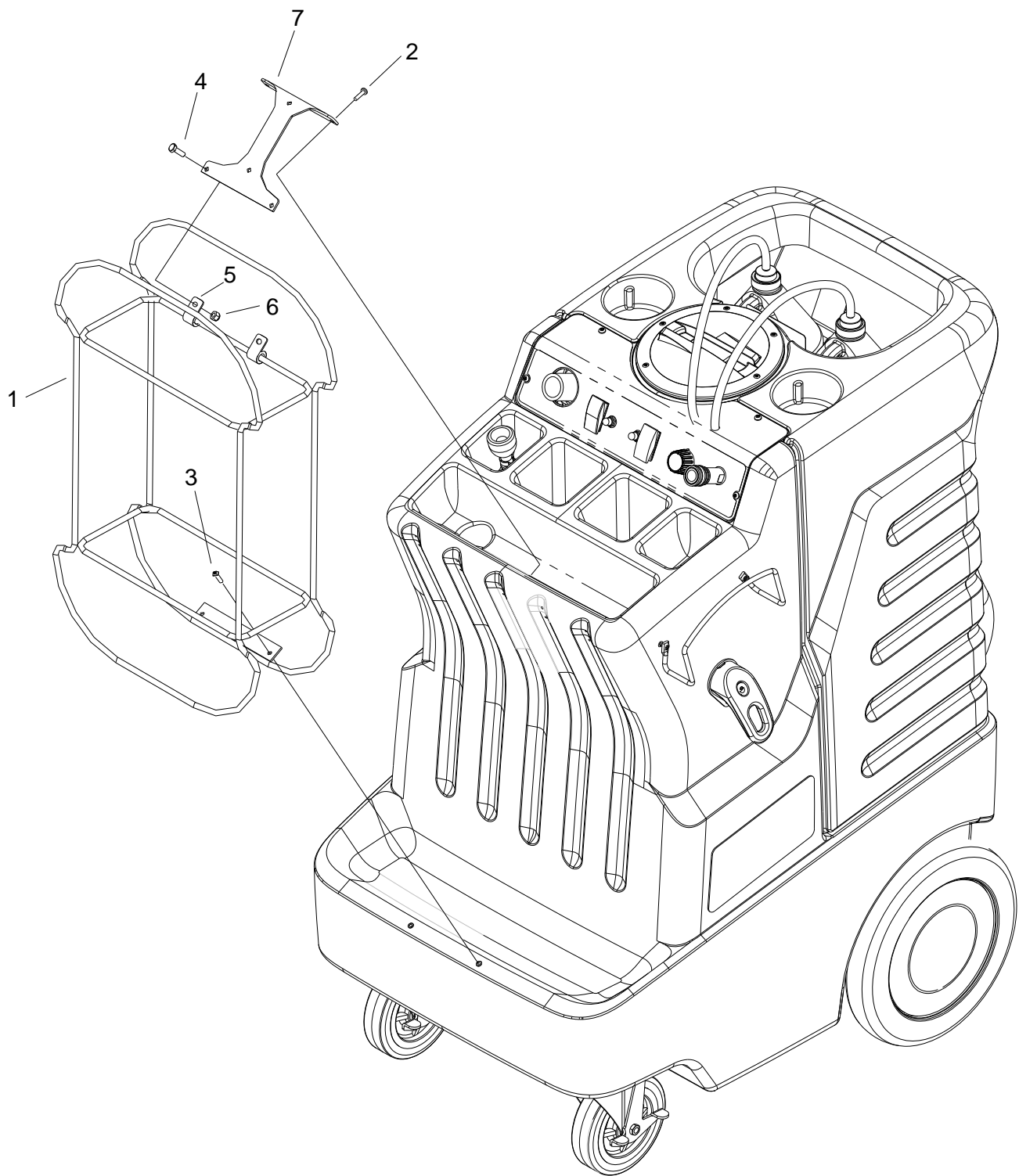
REF	PART NO.	QTY	DESCRIPTION	SERIAL NO. FROM	NOTES:
1	86305020	1	HARNESS, MAIN		
2	86305060	1	CORD SET, 14/3 X 31		
3	86308000	1	WIRE, 6" BLK/14 76050 X 76029		
4	88305070	2	WIRE, 2", BLK/14 76050 X 76029		
5	86268570	2	WIRE, 3", BLK/14 76029X 76029		
6	86268180	1	WIRE, 8", GRN/18 76008 X 76008		
7	86234200	1	CORD SET, 14/3X50' GFCI YLW		

Wiring-Diagram-230V

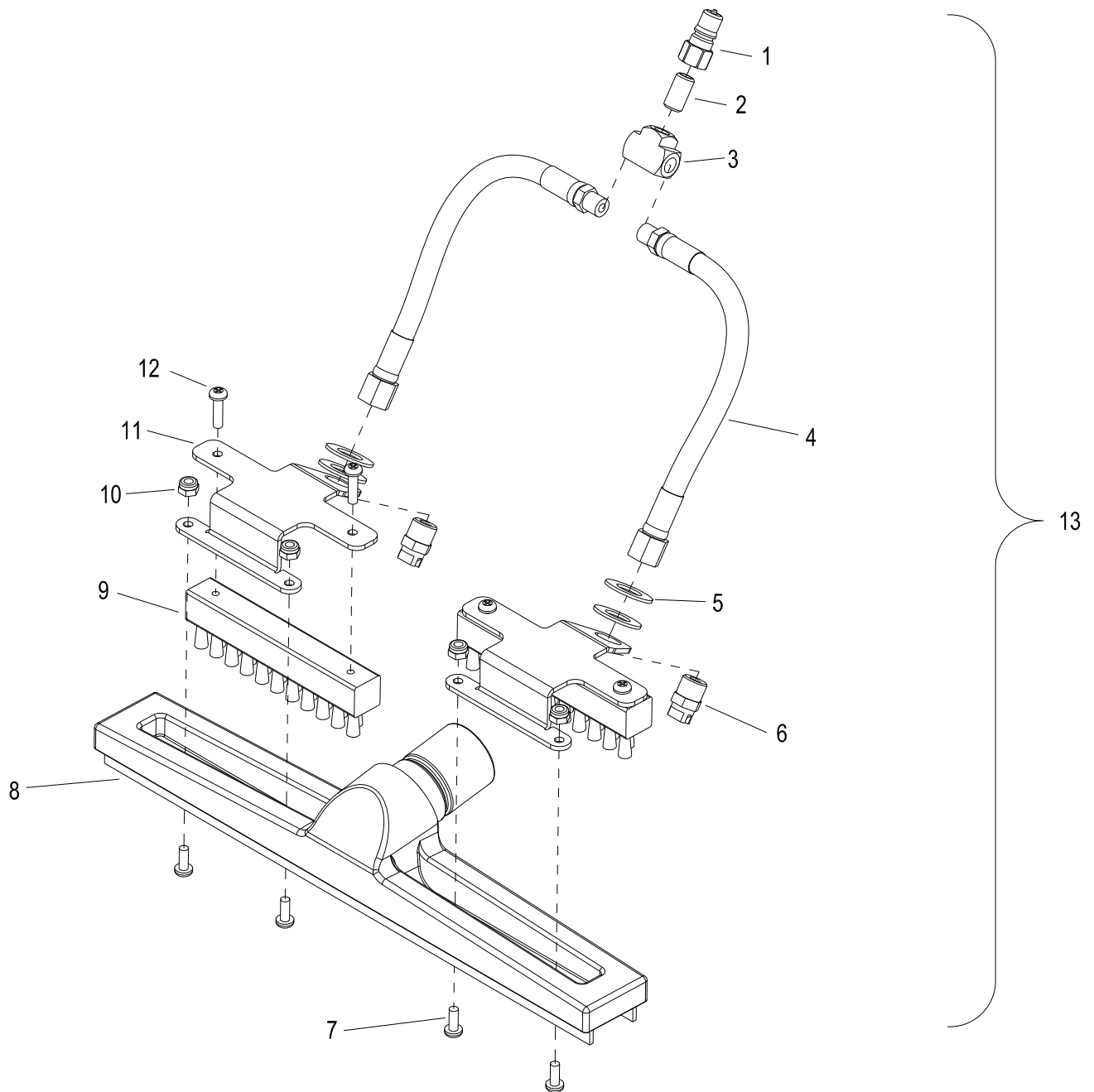


REF	PART NO.	QTY	DESCRIPTION	SERIAL NO. FROM	NOTES:
1	86234330	1	CORD ASM, 1.5MM2X 50' EURO		
2	86308770	1	HARNESS, MAIN, 230V		
3	86268180	1	WIRE, 8" GRN/18 76008 X 76008		
4	86308750	3	WIRE, 4", BLK/14 76029 X 76029		
5	86308760	3	WIRE, 4", BLK/14 76050 X 76029		

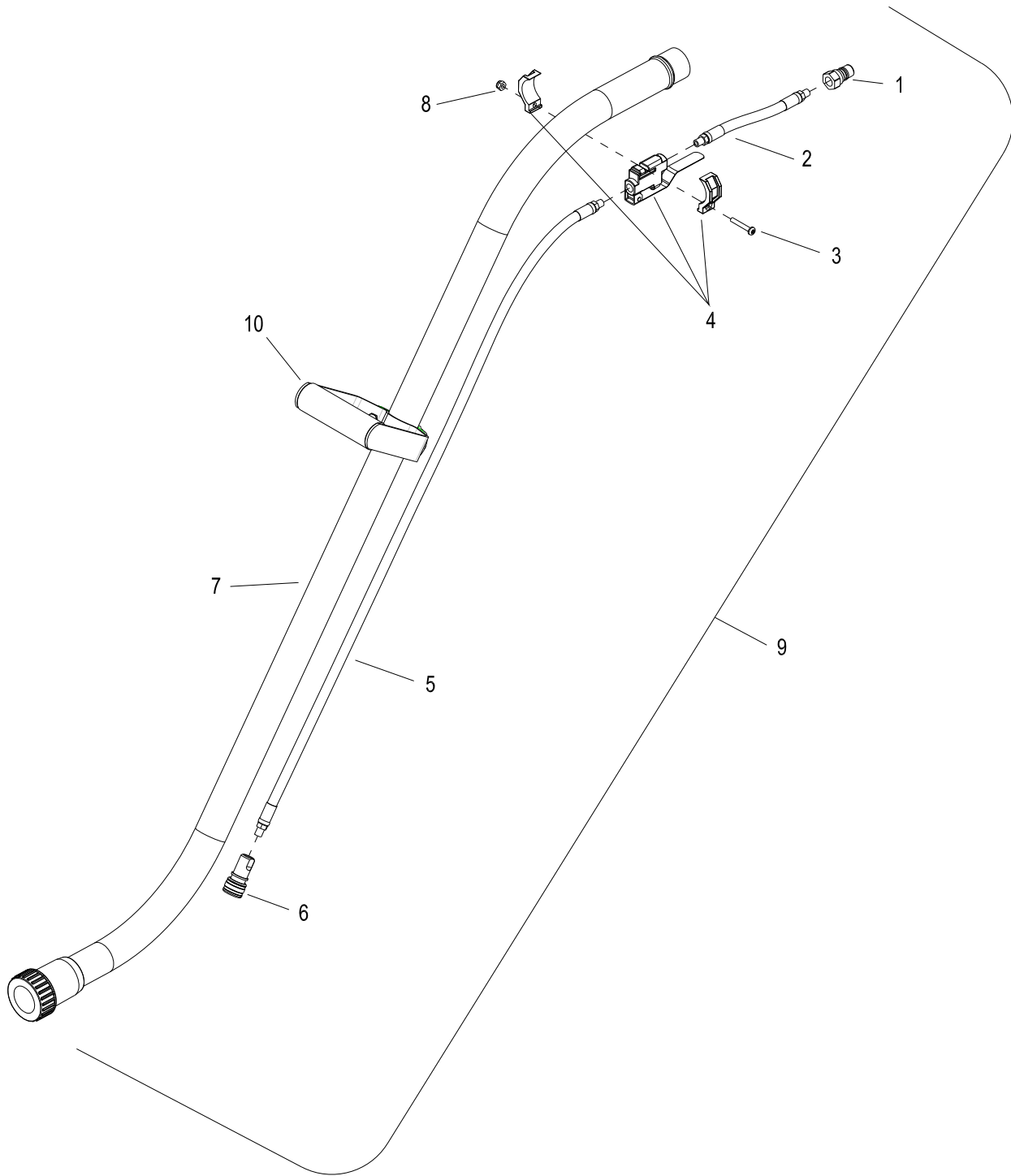
Vacuum Hose Rack-Option



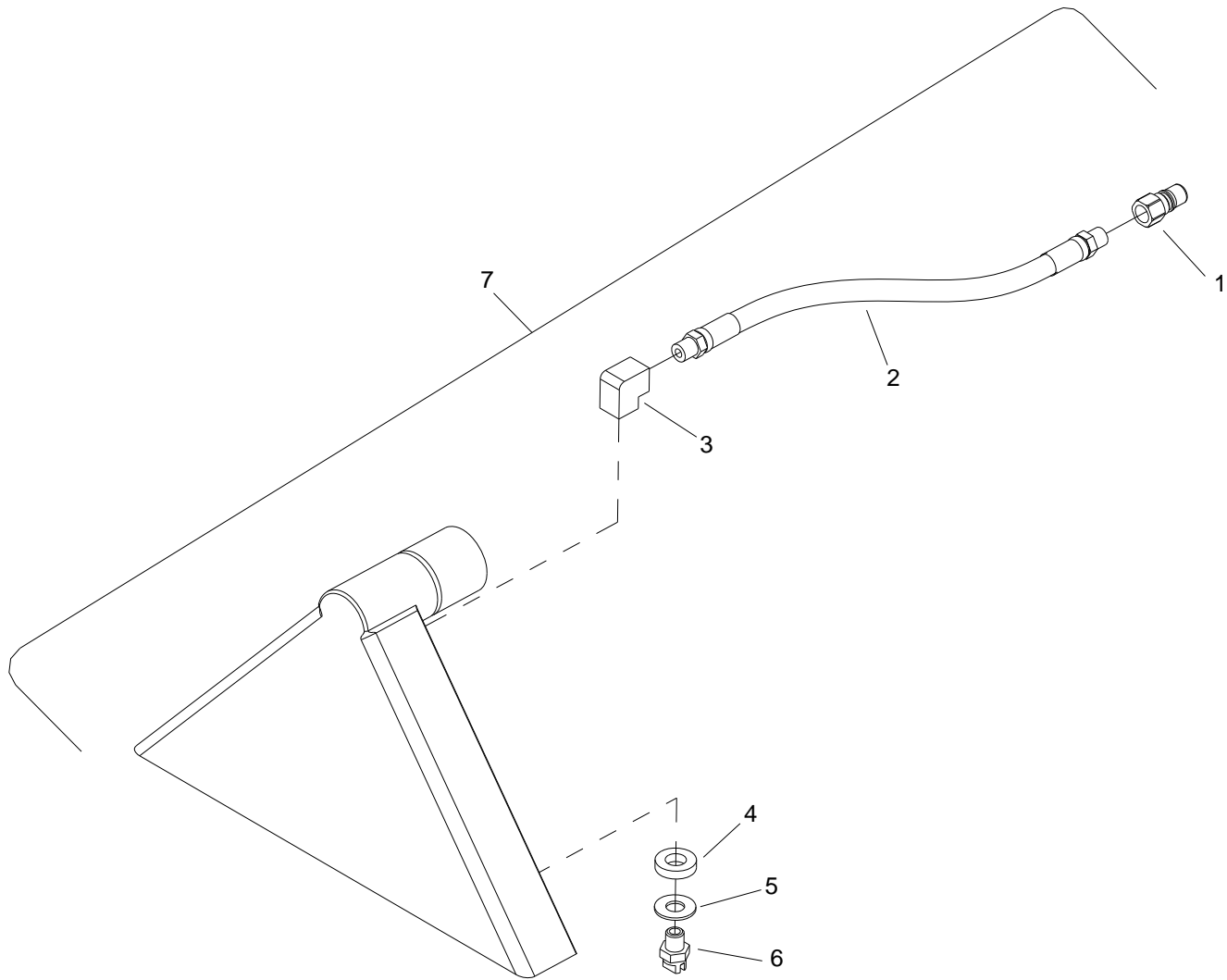
REF	PART NO.	QTY	DESCRIPTION	SERIAL NO. FROM	NOTES:
1	86240630	1	HOSE RACK		
2	86276600	3	SCR, #10 X 3/4 PTHSMS SS		
3	86006590	2	SCR, 10-32 X 1/2 PPHMS SS NP		
4	86275210	2	SCR, 1/4-20 X 1/2 PHTR BLK DL		
5	86270250	2	CLAMP, 1/4X1/4 BLT VIN DP		
6	86005680	2	NUT, 1/4-20 HEX NYLOCK		
7	86068180	1	BRACKET, TOP HOSE RACK		



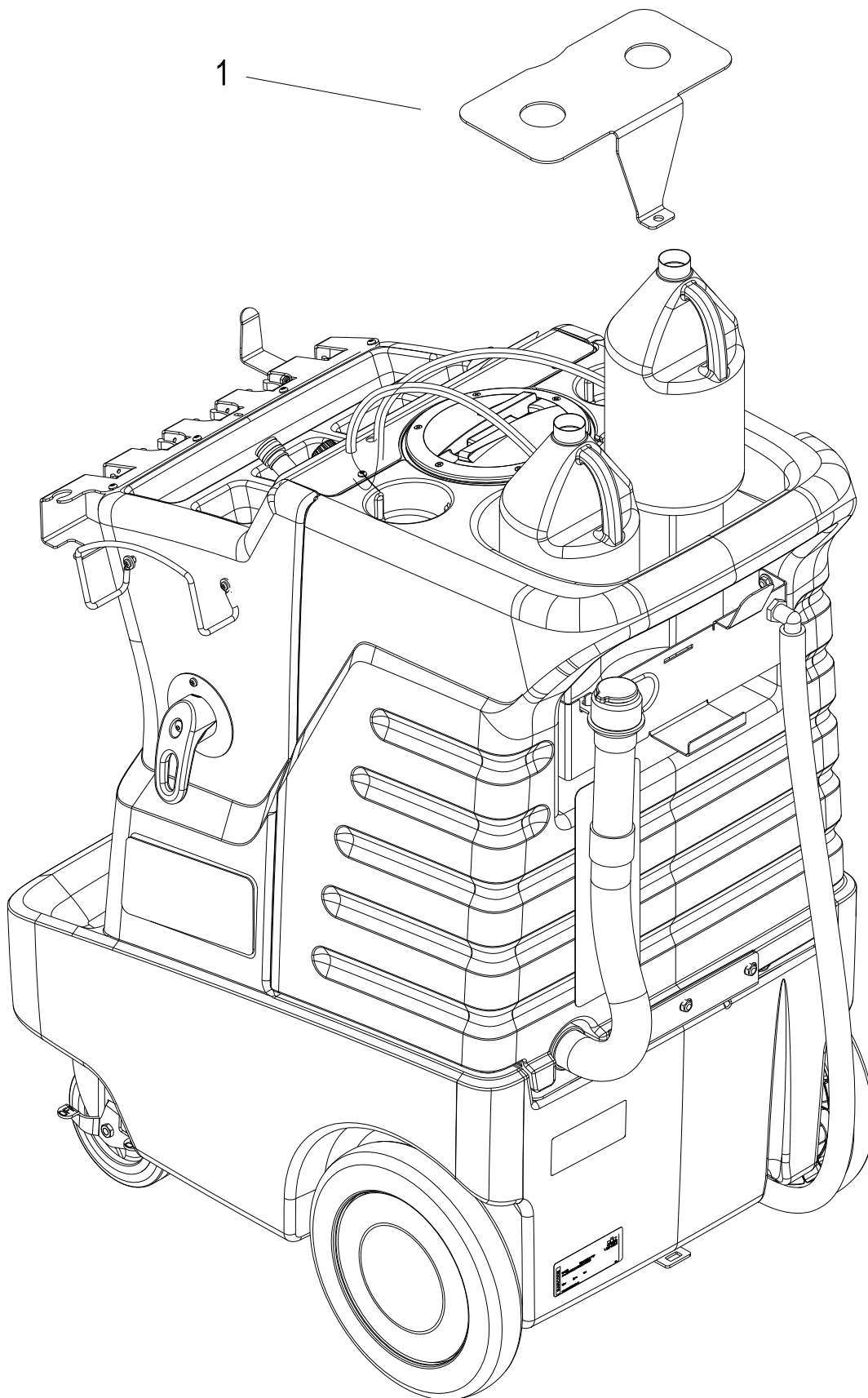
REF	PART NO.	QTY	DESCRIPTION	SERIAL NO. FROM	NOTES:
1	86200820	1	NIPPLE, 1/8 FPT QD MALE BRASS		
2	86247720	1	NIPPLE, 1/8 CLOSE		
3	86194160	1	TEE, 1/8 BR		
4	86240190	2	HOSE, 1/8 MPT X 1/4 FPT X 12L		
5	86090230	4	WASHER, 9/16 ID X 1.06 OD SS		
6	86241700	2	JET, 1/4 MEG 15015		
7	86006590	4	SCR, 10-32 X 1/2 PPHMS SS NP		
8	86088740	1	TOOL, GROUT CLEANER		
9	86308040	2	BRUSH, FLOOR TOOL		
10	86270990	4	NUT, 10-32 HEX NYLOCK SS		
11	86308780	2	BRKT, BRUSH MOUNT		
12	86006870	4	SCREW #10B X 1/2 PHSM BLK		
13	86000480	REF	KIT, GROUT CLEANER		



REF	PART NO.	QTY	DESCRIPTION	SERIAL NO. FROM	NOTES:
1	86005580	1	NIPPLE, 1/4 FPT QD		
2	86240210	1	HOSE, 1/8 MPT X 1/4 MPT X 7 L		
3	86274410	1	SCR, 10-32 X 1.25 PPHMS SS		
4	86258950	1	VALVE, 500 PSI W/ CLAMP		
5	86240200	1	HOSE, 1/8 MPT X 1/8 MPT X 38L		
6	86200810	1	NIPPLE, 1/8 FPT QD FEM BRASS		
7	86257680	1	TOOL, ALUMINUM WAND		
8	86270990	1	NUT, 10-32 HEX NYLOCK SS		
9	86041300	REF	KIT, HIGH PRESSURE WAND		COMPLETE
10	86135760	1	HANDLE GRIP ASSEMBLY 1.5" T		



REF	PART NO.	QTY	DESCRIPTION	SERIAL NO. FROM	NOTES:
1	86200820	1	NIPPLE, 1/8 FPT QD MALE BRASS		
2	86240220	1	HOSE, 1/8 MPT X 1/8 MPT		
3	86296220	1	ELBOW, 1/8 FPT		
4	86305440	1	WASHER, .45ID X .87X .20THK NYL		
5	86305450	1	WASHER, .40ID X .87OD X .060THK SST		
6	86241710	1	JET, 1/4 H-VV 11003		
7	86284550	-	TOOL, CARPET CLEANER		COMPLETE



REF	PART NO.	QTY	DESCRIPTION	SERIAL NO. FROM	NOTES:
1	86070520	1	BRKT, CHEMICAL LOCK		

Serial Number

REF. NO.	MODEL: SERIAL #
1	10070560002172, 10070570000033
2	10070560002538, 10070570000037

